

**2030A ProGator™  
Utility Vehicle**



**JOHN DEERE**

**PARTS CATALOG**

**2030A ProGator™  
Utility Vehicle**

**PC9599 (Jan-24) English**

**John Deere Turf Care**

Worldwide Edition  
Printed in U.S.A. (Revised)  
COPYRIGHT © 2024  
DEERE & COMPANY  
Moline, Illinois  
All rights reserved

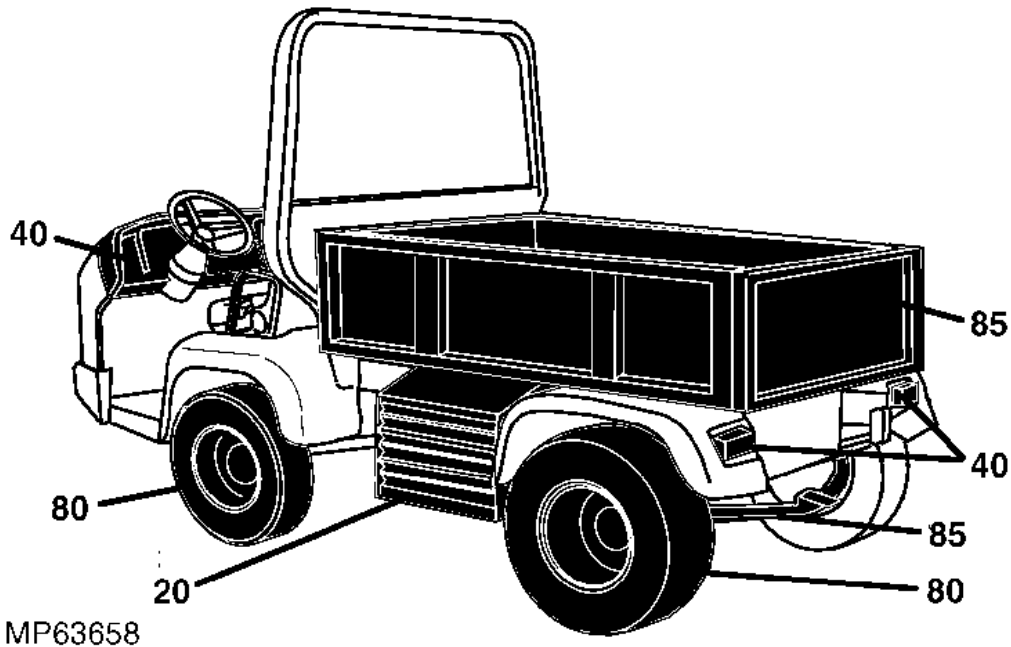
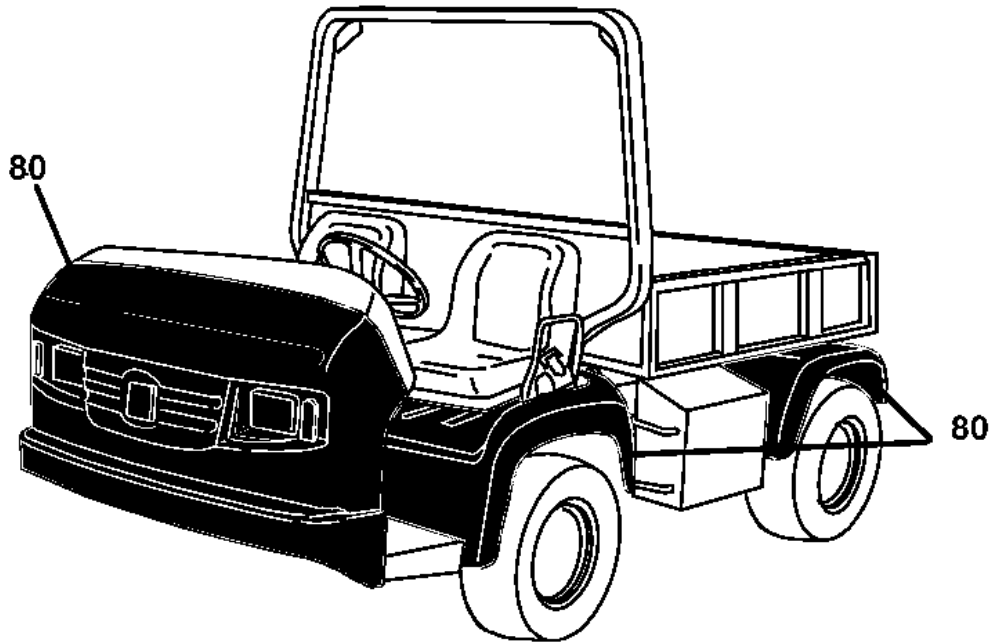




Primary Pictorial Index  
 Index d'illustrations principal  
 Hauptbildindex  
 Indice principale illustrato  
 Índice primario de ilustraciones  
 Huvudbildregister

MP63658 A.1

20-	1
20-	2
40-	
80-	1
85-	1
90-	1

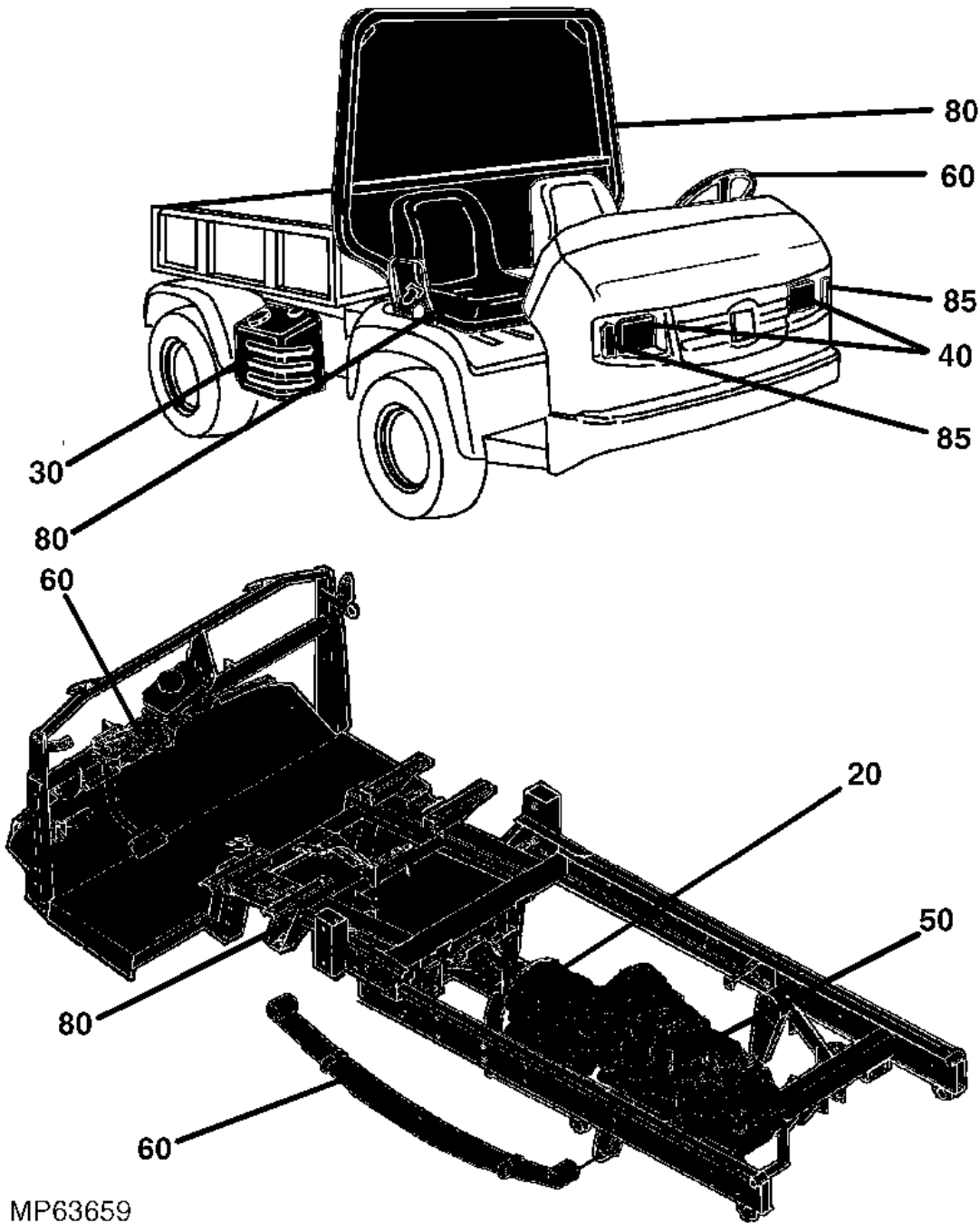


MP63658

Primary Pictorial Index  
 Index d'illustrations principal  
 Hauptbildindex  
 Índice principal ilustrato  
 Índice primario de ilustraciones  
 Huvudbildregister

MP63659 A.1

20-	1
20-	2
30-	1
40-	1
50-	1
50-	2
60-	1
80-	1
85-	1



MP63659



## 2030A ProGator™ Utility Vehicle

A.1



Two-Wheel Drive

- 2007 Model (Serial No. TC203AT010001-020000)
- 2008 Model (Serial No. TC203AT020001-030000)
- 2009 Model (Serial No. TC203AT030001-045000)
- 2010 Model (Serial No. TC203AT045001-050000)
- 2011 Model (Serial No. 1TC203AT++T 050001-060000)
- 2012 Model (Serial No. 1TC203AT++T 060001-070000)
- 2013 Model (Serial No. 1TC203AT++T070001-075000)
- 2014 Model (Serial No. 1TC203AT++T075001-080000)
- 2015 Model (Serial No. 1TC203AT++T080001-085000)
- 2016 Model (Serial No. 1TC203AT++T085001-090000)
- 2017 Model (Serial No. 1TC203AT++T090001-100000)
- 2018 Model (Serial No. 1TC203AT++T100001-110000)
- 2019 Model (Serial No. 1TC203AT++T110001-120000)
- 2020 Model (Serial No. 1TC203AT++T120001- 130000)
- 2021 Model (Serial No. 1TC203AT++T130001- 140000)
- 2022 Model (Serial No. 1TC203AT++T140001-160000 )
- 2023 Model (Serial No. 1TC203AT++T160001-170000 )
- 2024 Model (Serial No. 1TC203AT++R170001- )

*(Specifications and design subject to change without notice)*

For Attachment(S), See PC2649, PC2695, PC10329

## 2030A ProGator™ Utility Vehicle

A.1



### Four-Wheel Drive

- 2007 Model (Serial No. TC203AF010001-020000)
- 2008 Model (Serial No. TC203AF020001-030000)
- 2009 Model (Serial No. TC203AF030001-045000)
- 2010 Model (Serial No. TC203AF045001-050000)
- 2011 Model (Serial No. 1TC203AF++T050001-060000)
- 2012 Model (Serial No. 1TC203AF++T060001-070000)
- 2013 Model (Serial No. 1TC203AF++T070001-075000)
- 2014 Model (Serial No. 1TC203AF++T075001-080000)
- 2015 Model (Serial No. 1TC203AF++T080001-085000)
- 2016 Model (Serial No. 1TC203AF++T085001-090000)
- 2017 Model (Serial No. 1TC203AF++T090001-100000)
- 2018 Model (Serial No. 1TC203AF++T100001-110000)
- 2019 Model (Serial No. 1TC203AF++T110001-120000)
- 2020 Model (Serial No. 1TC203AF++T120001- 130000)
- 2021 Model (Serial No. 1TC203AF++T130001- 140000)
- 2022 Model (Serial No. 1TC203AF++T140001-160000 )
- 2023 Model (Serial No. 1TC203AF++T160001-170000 )
- 2024 Model (Serial No. 1TC203AF++R170001- )

For Attachment(S), See PC2649, PC2695, PC10329

*(Specifications and design subject to change without notice)*

## Product Identification And Serial Number Plate

An individual product identification and serial number is assigned to each machine. When writing about or filling out warranty claims, use all the characters shown on the plate.

Example: TC203AT010001

TC- Factory Designation (Turf Care)  
 203A- Model Or Machine Designation  
 2030APro Gator (Diesel)  
 T- Configuration Code  
 T - Two-Wheel Drive  
 F - Four-Wheel Drive  
 010001- Serial Number

Example: 1TC203AT++T050001

1TC- Factory Designation (Turf Care)  
 203A- Model Or Machine Designation  
 2030APro Gator (Diesel)  
 T- Configuration Code  
 T - Two-Wheel Drive  
 F - Four-Wheel Drive  
 +- Random Number  
 +- Calendar Year of Manufacture  
 T- Turf Care  
 050001- Serial Number

## Product Configuration Code

The configuration "alpha" code identifies a variation of a product. Example: A machine may be manufactured as a two-wheel or four-wheel drive unit, and be shipped with standard or wide cutting units; thus four variations of the same machine exist. It also identifies different products which have the same model or machine designation (a tractor and an attachment tiller may have the same model numbers). If no configuration "alpha" code is required, space is filled in with an "X".

## Serial Number Listing Information

Serial number information is listed to show on which machines each part can be used; for example:

- The part can be used on all products.
- 000000 - The part can be used on products beginning with the serial number listed.
- 000000 The part can be used on products up to and including the serial number listed.
- 000000 - 000000 The part can be used on products between and including the serial number listed.

When XXXXXX's are listed in place of a serial number, a serial number change was made, but the exact serial number was not available at the time of publication.

## To The Customer

The part numbers in this Parts Catalog were correct at the time of publication. Per John Deere policy, we continuously improve our products. Therefore, when ordering parts verify the part numbers with your dealer.

## SI Units of Measure

Metric dimensions are provided as applicable throughout this parts catalog.

## Bolt and Cap Screw Strength Identification

Bolts and cap screws required to have high-strength qualities equivalent to metric property class 10.9 (SAE grade 8) or higher are identified throughout this catalog by the description 10.9, 12.9 or 14.9. All standard bolts and cap screws are metric property class 8.8 (SAE grade 5) or lower.

## Illustrations

Illustrations in this catalog are only intended as a reference for dealers and customers. These illustrations do not necessarily represent the exact view of the parts.

## Box-Enclosed Illustrations

Box-enclosed keyed parts in the illustration are available as a service assembly or an attachment. These parts may also include parts not available for service. The illustrations may not show all individual parts of an attachment. A box not keyed includes non-current parts.

## Orientation Of Product

An arrow shown with an illustration is to indicate the direction of product forward travel. Right Hand (RH) and Left Hand (LH) sides are determined by product forward travel.

## Orientation of Engine

Right Hand (RH) and Left Hand (LH) sides are determined by standing at flywheel and facing the engine.

## John Deere Remanufactured Components

The REMAN parts listed in this catalog are intended for the repair or replacement of failed or worn original equipment components. John Deere Reman components are manufactured to stringent John Deere standards and produced to original John Deere specifications that incorporates the latest design and performance improvement updates.

**Ag and Turf Turf and Utility ? Trademarks**

7-Iron™	Quik-Trak™	Mulch On Demand™
Aercore™	Ready To Mow™	Trail Gator™
Auto 4x4 Wheel Drive™	RGator™	Turf Gator™
AutoConnect™	Roll-Gard™	X700™
AutoTrac™	iMatch™	ZTrak™
Buck™	John Deere™	Funk™
Gator™	SelectSpray™	iTorque™
Greens Tender™	TerrainCut™	Phoenix™
Precision Cut Reel™	E-Gator™	PowerTech™
PrecisionCut™	eHydro™	TMII™
ProGator™	EZtrak™	TMIII™

**Ag and Turf Turf and Utility ? Terms and Abbreviations**

Phrase	Meaning	Phrase	Meaning
A/C	Air Conditioning	NSEP	Not Supplied Separately
ALSO ORDER	Also Order	OD	Outside Diameter
AND	and	OOS	Open Operator's Station
APPL	This Application Only	OPTION	Option
AR	As Required	OPTIONAL	Optional
ASSY	Complete Assembly	OR	Or
CNLA	Complete No Longer Available (Order Individual Parts)	ORD	Order
COMPLETE	Complete	ORD W/	Order With
CTL	Cut To Length	OS	Oversize
CW	Clockwise	OUTER	Outer
ECU	Engine Control Unit	PKG	Package of
FI	Field Installation Kit	PTO	Power Take-Off
FIP	Fuel Injection Pump	RATIO	Ratio
FOR	For	RCU	Reverser Control Unit
FRONT	Front	REAR	Rear
HS, HEAD MARKED	High Strength, Head Marked	REMAN	Remanufactured
HTC	Heater Control Unit	RH	Right Hand
ID	Inside Diameter	SCV	Selective Control Valve
INCL	Includes	STD	Standard
INCL KEYS	Including Keys	SUB	Replaced by
INCLUDE PARTS MARKED	Include Parts Marked	SUB COMPONENTS	Sub Components
INNER	Inner	SUB FOR	Substitute for
KIT	Kit	TK	Thickness
LGTH	Length	UIM	User Interface Module
LH	Left Hand	UP	Upper
LOW	Lower	US	Undersize
MARKED	Marked	USE WITH	Use With
MF	Made From	W/	With
MFWD	Mechanical Front Wheel Drive	W/O	Without
NA	Not Applicable	Z	Gear and Sprocket Teeth Number
NLA	No Longer Available		

## 2030A ProGator™ Utility Vehicle

A.1



## Two-Wheel Drive

2007 Model (Serial No. TC203AT010001-020000)  
 2008 Model (Serial No. TC203AT020001-030000)  
 2009 Model (Serial No. TC203AT030001-045000)  
 2010 Model (Serial No. TC203AT045001-050000)  
 2011 Model (Serial No. 1TC203AT++T 050001-060000)  
 2012 Model (Serial No. 1TC203AT++T 060001-070000)  
 2013 Model (Serial No. 1TC203AT++T070001-075000)  
 2014 Model (Serial No. 1TC203AT++T075001-080000)  
 2015 Model (Serial No. 1TC203AT++T080001-085000)  
 2016 Model (Serial No. 1TC203AT++T085001-090000)  
 2017 Model (Serial No. 1TC203AT++T090001-100000)  
 2018 Model (Serial No. 1TC203AT++T100001-110000)  
 2019 Model (Serial No. 1TC203AT++T110001-120000)  
 2020 Model (Serial No. 1TC203AT++T120001- 130000)  
 2021 Model (Serial No. 1TC203AT++T130001- 140000)  
 2022 Model (Serial No. 1TC203AT++T140001-160000 )  
 2023 Model (Serial No. 1TC203AT++T160001-170000 )  
 2024 Model (Serial No. 1TC203AT++R170001- )

*(Specifications and design subject to change without notice)*

For Attachment(S), See PC2649, PC2695, PC10329

## 2030A ProGator™ Utility Vehicle

A.1



### Four-Wheel Drive

- 2007 Model (Serial No. TC203AF010001-020000)
- 2008 Model (Serial No. TC203AF020001-030000)
- 2009 Model (Serial No. TC203AF030001-045000)
- 2010 Model (Serial No. TC203AF045001-050000)
- 2011 Model (Serial No. 1TC203AF++T050001-060000)
- 2012 Model (Serial No. 1TC203AF++T060001-070000)
- 2013 Model (Serial No. 1TC203AF++T070001-075000)
- 2014 Model (Serial No. 1TC203AF++T075001-080000)
- 2015 Model (Serial No. 1TC203AF++T080001-085000)
- 2016 Model (Serial No. 1TC203AF++T085001-090000)
- 2017 Model (Serial No. 1TC203AF++T090001-100000)
- 2018 Model (Serial No. 1TC203AF++T100001-110000)
- 2019 Model (Serial No. 1TC203AF++T110001-120000)
- 2020 Model (Serial No. 1TC203AF++T120001- 130000)
- 2021 Model (Serial No. 1TC203AF++T130001- 140000)
- 2022 Model (Serial No. 1TC203AF++T140001-160000 )
- 2023 Model (Serial No. 1TC203AF++T160001-170000 )
- 2024 Model (Serial No. 1TC203AF++R170001- )

For Attachment(S), See PC2649, PC2695, PC10329

*(Specifications and design subject to change without notice)*



## Product Identification And Serial Number Plate

An individual product identification and serial number is assigned to each machine. When writing about or filling out warranty claims, use all the characters shown on the plate.

Example: TC203AT010001

TC- Factory Designation (Turf Care)  
 203A- Model Or Machine Designation  
 2030APro Gator (Diesel)  
 T- Configuration Code  
 T - Two-Wheel Drive  
 F - Four-Wheel Drive  
 010001- Serial Number

Example: 1TC203AT++T050001

1TC- Factory Designation (Turf Care)  
 203A- Model Or Machine Designation  
 2030APro Gator (Diesel)  
 T- Configuration Code  
 T - Two-Wheel Drive  
 F - Four-Wheel Drive  
 +- Random Number  
 +- Calendar Year of Manufacture  
 T- Turf Care  
 050001- Serial Number

## Product Configuration Code

The configuration "alpha" code identifies a variation of a product. Example: A machine may be manufactured as a two-wheel or four-wheel drive unit, and be shipped with standard or wide cutting units; thus four variations of the same machine exist. It also identifies different products which have the same model or machine designation (a tractor and an attachment tiller may have the same model numbers). If no configuration "alpha" code is required, space is filled in with an "X".

## Serial Number Listing Information

Serial number information is listed to show on which machines each part can be used; for example:

- The part can be used on all products.
- 000000 - The part can be used on products beginning with the serial number listed.
- 000000 The part can be used on products up to and including the serial number listed.
- 000000 - 000000 The part can be used on products between and including the serial number listed.

When XXXXXX's are listed in place of a serial number, a serial number change was made, but the exact serial number was not available at the time of publication.

## To The Customer

The part numbers in this Parts Catalog were correct at the time of publication. Per John Deere policy, we continuously improve our products. Therefore, when ordering parts verify the part numbers with your dealer.

## SI Units of Measure

Metric dimensions are provided as applicable throughout this parts catalog.

## Bolt and Cap Screw Strength Identification

Bolts and cap screws required to have high-strength qualities equivalent to metric property class 10.9 (SAE grade 8) or higher are identified throughout this catalog by the description 10.9, 12.9 or 14.9. All standard bolts and cap screws are metric property class 8.8 (SAE grade 5) or lower.

## Illustrations

Illustrations in this catalog are only intended as a reference for dealers and customers. These illustrations do not necessarily represent the exact view of the parts.

## Box-Enclosed Illustrations

Box-enclosed keyed parts in the illustration are available as a service assembly or an attachment. These parts may also include parts not available for service. The illustrations may not show all individual parts of an attachment. A box not keyed includes non-current parts.

## Orientation Of Product

An arrow shown with an illustration is to indicate the direction of product forward travel. Right Hand (RH) and Left Hand (LH) sides are determined by product forward travel.

## Orientation of Engine

Right Hand (RH) and Left Hand (LH) sides are determined by standing at flywheel and facing the engine.

## John Deere Remanufactured Components

The REMAN parts listed in this catalog are intended for the repair or replacement of failed or worn original equipment components. John Deere Reman components are manufactured to stringent John Deere standards and produced to original John Deere specifications that incorporates the latest design and performance improvement updates.

### Ag and Turf Turf and Utility ? Trademarks

7-Iron™	Quik-Trak™	Mulch On Demand™
Aercore™	Ready To Mow™	Trail Gator™
Auto 4x4 Wheel Drive™	RGator™	Turf Gator™
AutoConnect™	Roll-Gard™	X700™
AutoTrac™	iMatch™	ZTrak™
Buck™	John Deere™	Funk™
Gator™	SelectSpray™	iTorque™
Greens Tender™	TerrainCut™	Phoenix™
Precision Cut Reel™	E-Gator™	PowerTech™
PrecisionCut™	eHydro™	TMII™
ProGator™	EZtrak™	TMIII™

**Ag and Turf Turf and Utility ? Terms and Abbreviations**

Phrase	Meaning	Phrase	Meaning
A/C	Air Conditioning	NSEP	Not Supplied Separately
ALSO ORDER	Also Order	OD	Outside Diameter
AND	and	OOS	Open Operator's Station
APPL	This Application Only	OPTION	Option
AR	As Required	OPTIONAL	Optional
ASSY	Complete Assembly	OR	Or
CNLA	Complete No Longer Available (Order Individual Parts)	ORD	Order
COMPLETE	Complete	ORD W/	Order With
CTL	Cut To Length	OS	Oversize
CW	Clockwise	OUTER	Outer
ECU	Engine Control Unit	PKG	Package of
FI	Field Installation Kit	PTO	Power Take-Off
FIP	Fuel Injection Pump	RATIO	Ratio
FOR	For	RCU	Reverser Control Unit
FRONT	Front	REAR	Rear
HS, HEAD MARKED	High Strength, Head Marked	REMAN	Remanufactured
HTC	Heater Control Unit	RH	Right Hand
ID	Inside Diameter	SCV	Selective Control Valve
INCL	Includes	STD	Standard
INCL KEYS	Including Keys	SUB	Replaced by
INCLUDE PARTS MARKED	Include Parts Marked	SUB COMPONENTS	Sub Components
INNER	Inner	SUB FOR	Substitute for
KIT	Kit	TK	Thickness
LGTH	Length	UIM	User Interface Module
LH	Left Hand	UP	Upper
LOW	Lower	US	Undersize
MARKED	Marked	USE WITH	Use With
MF	Made From	W/	With
MFWD	Mechanical Front Wheel Drive	W/O	Without
NA	Not Applicable	Z	Gear and Sprocket Teeth Number
NLA	No Longer Available		

## 2030A ProGator™ Utility Vehicle

A.1



## Two-Wheel Drive

2007 Model (Serial No. TC203AT010001-020000)  
 2008 Model (Serial No. TC203AT020001-030000)  
 2009 Model (Serial No. TC203AT030001-045000)  
 2010 Model (Serial No. TC203AT045001-050000)  
 2011 Model (Serial No. 1TC203AT++T 050001-060000)  
 2012 Model (Serial No. 1TC203AT++T 060001-070000)  
 2013 Model (Serial No. 1TC203AT++T070001-075000)  
 2014 Model (Serial No. 1TC203AT++T075001-080000)  
 2015 Model (Serial No. 1TC203AT++T080001-085000)  
 2016 Model (Serial No. 1TC203AT++T085001-090000)  
 2017 Model (Serial No. 1TC203AT++T090001-100000)  
 2018 Model (Serial No. 1TC203AT++T100001-110000)  
 2019 Model (Serial No. 1TC203AT++T110001-120000)  
 2020 Model (Serial No. 1TC203AT++T120001- 130000)  
 2021 Model (Serial No. 1TC203AT++T130001- 140000)  
 2022 Model (Serial No. 1TC203AT++T140001-160000 )  
 2023 Model (Serial No. 1TC203AT++T160001-170000 )  
 2024 Model (Serial No. 1TC203AT++R170001- )

*(Specifications and design subject to change without notice)*

For Attachment(S), See PC2649, PC2695, PC10329

## 2030A ProGator™ Utility Vehicle

A.1



### Four-Wheel Drive

- 2007 Model (Serial No. TC203AF010001-020000)
- 2008 Model (Serial No. TC203AF020001-030000)
- 2009 Model (Serial No. TC203AF030001-045000)
- 2010 Model (Serial No. TC203AF045001-050000)
- 2011 Model (Serial No. 1TC203AF++T050001-060000)
- 2012 Model (Serial No. 1TC203AF++T060001-070000)
- 2013 Model (Serial No. 1TC203AF++T070001-075000)
- 2014 Model (Serial No. 1TC203AF++T075001-080000)
- 2015 Model (Serial No. 1TC203AF++T080001-085000)
- 2016 Model (Serial No. 1TC203AF++T085001-090000)
- 2017 Model (Serial No. 1TC203AF++T090001-100000)
- 2018 Model (Serial No. 1TC203AF++T100001-110000)
- 2019 Model (Serial No. 1TC203AF++T110001-120000)
- 2020 Model (Serial No. 1TC203AF++T120001- 130000)
- 2021 Model (Serial No. 1TC203AF++T130001- 140000)
- 2022 Model (Serial No. 1TC203AF++T140001-160000 )
- 2023 Model (Serial No. 1TC203AF++T160001-170000 )
- 2024 Model (Serial No. 1TC203AF++R170001- )

For Attachment(S), See PC2649, PC2695, PC10329

*(Specifications and design subject to change without notice)*

## Product Identification And Serial Number Plate

An individual product identification and serial number is assigned to each machine. When writing about or filling out warranty claims, use all the characters shown on the plate.

Example: TC203AT010001

TC- Factory Designation (Turf Care)  
 203A- Model Or Machine Designation  
 2030APro Gator (Diesel)  
 T- Configuration Code  
 T - Two-Wheel Drive  
 F - Four-Wheel Drive  
 010001- Serial Number

Example: 1TC203AT++T050001

1TC- Factory Designation (Turf Care)  
 203A- Model Or Machine Designation  
 2030APro Gator (Diesel)  
 T- Configuration Code  
 T - Two-Wheel Drive  
 F - Four-Wheel Drive  
 +- Random Number  
 +- Calendar Year of Manufacture  
 T- Turf Care  
 050001- Serial Number

## Product Configuration Code

The configuration "alpha" code identifies a variation of a product. Example: A machine may be manufactured as a two-wheel or four-wheel drive unit, and be shipped with standard or wide cutting units; thus four variations of the same machine exist. It also identifies different products which have the same model or machine designation (a tractor and an attachment tiller may have the same model numbers). If no configuration "alpha" code is required, space is filled in with an "X".

## Serial Number Listing Information

Serial number information is listed to show on which machines each part can be used; for example:

- The part can be used on all products.
- 000000 - The part can be used on products beginning with the serial number listed.
- 000000 The part can be used on products up to and including the serial number listed.
- 000000 - 000000 The part can be used on products between and including the serial number listed.

When XXXXXX's are listed in place of a serial number, a serial number change was made, but the exact serial number was not available at the time of publication.

## To The Customer

The part numbers in this Parts Catalog were correct at the time of publication. Per John Deere policy, we continuously improve our products. Therefore, when ordering parts verify the part numbers with your dealer.

## SI Units of Measure

Metric dimensions are provided as applicable throughout this parts catalog.

## Bolt and Cap Screw Strength Identification

Bolts and cap screws required to have high-strength qualities equivalent to metric property class 10.9 (SAE grade 8) or higher are identified throughout this catalog by the description 10.9, 12.9 or 14.9. All standard bolts and cap screws are metric property class 8.8 (SAE grade 5) or lower.

## Illustrations

Illustrations in this catalog are only intended as a reference for dealers and customers. These illustrations do not necessarily represent the exact view of the parts.

## Box-Enclosed Illustrations

Box-enclosed keyed parts in the illustration are available as a service assembly or an attachment. These parts may also include parts not available for service. The illustrations may not show all individual parts of an attachment. A box not keyed includes non-current parts.

## Orientation Of Product

An arrow shown with an illustration is to indicate the direction of product forward travel. Right Hand (RH) and Left Hand (LH) sides are determined by product forward travel.

## Orientation of Engine

Right Hand (RH) and Left Hand (LH) sides are determined by standing at flywheel and facing the engine.

## John Deere Remanufactured Components

The REMAN parts listed in this catalog are intended for the repair or replacement of failed or worn original equipment components. John Deere Reman components are manufactured to stringent John Deere standards and produced to original John Deere specifications that incorporates the latest design and performance improvement updates.



**Ag and Turf Turf and Utility ? Trademarks**

7-Iron™	Quik-Trak™	Mulch On Demand™
Aercore™	Ready To Mow™	Trail Gator™
Auto 4x4 Wheel Drive™	RGator™	Turf Gator™
AutoConnect™	Roll-Gard™	X700™
AutoTrac™	iMatch™	ZTrak™
Buck™	John Deere™	Funk™
Gator™	SelectSpray™	iTorque™
Greens Tender™	TerrainCut™	Phoenix™
Precision Cut Reel™	E-Gator™	PowerTech™
PrecisionCut™	eHydro™	TMII™
ProGator™	EZtrak™	TMIII™

**Ag and Turf Turf and Utility ? Terms and Abbreviations**

Phrase	Meaning	Phrase	Meaning
A/C	Air Conditioning	NSEP	Not Supplied Separately
ALSO ORDER	Also Order	OD	Outside Diameter
AND	and	OOS	Open Operator's Station
APPL	This Application Only	OPTION	Option
AR	As Required	OPTIONAL	Optional
ASSY	Complete Assembly	OR	Or
CNLA	Complete No Longer Available (Order Individual Parts)	ORD	Order
COMPLETE	Complete	ORD W/	Order With
CTL	Cut To Length	OS	Oversize
CW	Clockwise	OUTER	Outer
ECU	Engine Control Unit	PKG	Package of
FI	Field Installation Kit	PTO	Power Take-Off
FIP	Fuel Injection Pump	RATIO	Ratio
FOR	For	RCU	Reverser Control Unit
FRONT	Front	REAR	Rear
HS, HEAD MARKED	High Strength, Head Marked	REMAN	Remanufactured
HTC	Heater Control Unit	RH	Right Hand
ID	Inside Diameter	SCV	Selective Control Valve
INCL	Includes	STD	Standard
INCL KEYS	Including Keys	SUB	Replaced by
INCLUDE PARTS MARKED	Include Parts Marked	SUB COMPONENTS	Sub Components
INNER	Inner	SUB FOR	Substitute for
KIT	Kit	TK	Thickness
LGTH	Length	UIM	User Interface Module
LH	Left Hand	UP	Upper
LOW	Lower	US	Undersize
MARKED	Marked	USE WITH	Use With
MF	Made From	W/	With
MFWD	Mechanical Front Wheel Drive	W/O	Without
NA	Not Applicable	Z	Gear and Sprocket Teeth Number
NLA	No Longer Available		

## 2030A ProGator™ Utility Vehicle

A.1



## Two-Wheel Drive

2007 Model (Serial No. TC203AT010001-020000)  
 2008 Model (Serial No. TC203AT020001-030000)  
 2009 Model (Serial No. TC203AT030001-045000)  
 2010 Model (Serial No. TC203AT045001-050000)  
 2011 Model (Serial No. 1TC203AT++T 050001-060000)  
 2012 Model (Serial No. 1TC203AT++T 060001-070000)  
 2013 Model (Serial No. 1TC203AT++T070001-075000)  
 2014 Model (Serial No. 1TC203AT++T075001-080000)  
 2015 Model (Serial No. 1TC203AT++T080001-085000)  
 2016 Model (Serial No. 1TC203AT++T085001-090000)  
 2017 Model (Serial No. 1TC203AT++T090001-100000)  
 2018 Model (Serial No. 1TC203AT++T100001-110000)  
 2019 Model (Serial No. 1TC203AT++T110001-120000)  
 2020 Model (Serial No. 1TC203AT++T120001- 130000)  
 2021 Model (Serial No. 1TC203AT++T130001- 140000)  
 2022 Model (Serial No. 1TC203AT++T140001-160000 )  
 2023 Model (Serial No. 1TC203AT++T160001-170000 )  
 2024 Model (Serial No. 1TC203AT++R170001- )

*(Specifications and design subject to change without notice)*

For Attachment(S), See PC2649, PC2695, PC10329

## 2030A ProGator™ Utility Vehicle

A.1



### Four-Wheel Drive

- 2007 Model (Serial No. TC203AF010001-020000)
- 2008 Model (Serial No. TC203AF020001-030000)
- 2009 Model (Serial No. TC203AF030001-045000)
- 2010 Model (Serial No. TC203AF045001-050000)
- 2011 Model (Serial No. 1TC203AF++T050001-060000)
- 2012 Model (Serial No. 1TC203AF++T060001-070000)
- 2013 Model (Serial No. 1TC203AF++T070001-075000)
- 2014 Model (Serial No. 1TC203AF++T075001-080000)
- 2015 Model (Serial No. 1TC203AF++T080001-085000)
- 2016 Model (Serial No. 1TC203AF++T085001-090000)
- 2017 Model (Serial No. 1TC203AF++T090001-100000)
- 2018 Model (Serial No. 1TC203AF++T100001-110000)
- 2019 Model (Serial No. 1TC203AF++T110001-120000)
- 2020 Model (Serial No. 1TC203AF++T120001- 130000)
- 2021 Model (Serial No. 1TC203AF++T130001- 140000)
- 2022 Model (Serial No. 1TC203AF++T140001-160000 )
- 2023 Model (Serial No. 1TC203AF++T160001-170000 )
- 2024 Model (Serial No. 1TC203AF++R170001- )

For Attachment(S), See PC2649, PC2695, PC10329

*(Specifications and design subject to change without notice)*

## Product Identification And Serial Number Plate

An individual product identification and serial number is assigned to each machine. When writing about or filling out warranty claims, use all the characters shown on the plate.

Example: TC203AT010001

TC- Factory Designation (Turf Care)  
 203A- Model Or Machine Designation  
 2030APro Gator (Diesel)  
 T- Configuration Code  
 T - Two-Wheel Drive  
 F - Four-Wheel Drive  
 010001- Serial Number

Example: 1TC203AT++T050001

1TC- Factory Designation (Turf Care)  
 203A- Model Or Machine Designation  
 2030APro Gator (Diesel)  
 T- Configuration Code  
 T - Two-Wheel Drive  
 F - Four-Wheel Drive  
 +- Random Number  
 +- Calendar Year of Manufacture  
 T- Turf Care  
 050001- Serial Number

## Product Configuration Code

The configuration "alpha" code identifies a variation of a product. Example: A machine may be manufactured as a two-wheel or four-wheel drive unit, and be shipped with standard or wide cutting units; thus four variations of the same machine exist. It also identifies different products which have the same model or machine designation (a tractor and an attachment tiller may have the same model numbers). If no configuration "alpha" code is required, space is filled in with an "X".

## Serial Number Listing Information

Serial number information is listed to show on which machines each part can be used; for example:

- The part can be used on all products.
- 000000 - The part can be used on products beginning with the serial number listed.
- 000000 The part can be used on products up to and including the serial number listed.
- 000000 - 000000 The part can be used on products between and including the serial number listed.

When XXXXXX's are listed in place of a serial number, a serial number change was made, but the exact serial number was not available at the time of publication.

## To The Customer

The part numbers in this Parts Catalog were correct at the time of publication. Per John Deere policy, we continuously improve our products. Therefore, when ordering parts verify the part numbers with your dealer.

## SI Units of Measure

Metric dimensions are provided as applicable throughout this parts catalog.

## Bolt and Cap Screw Strength Identification

Bolts and cap screws required to have high-strength qualities equivalent to metric property class 10.9 (SAE grade 8) or higher are identified throughout this catalog by the description 10.9, 12.9 or 14.9. All standard bolts and cap screws are metric property class 8.8 (SAE grade 5) or lower.

## Illustrations

Illustrations in this catalog are only intended as a reference for dealers and customers. These illustrations do not necessarily represent the exact view of the parts.

## Box-Enclosed Illustrations

Box-enclosed keyed parts in the illustration are available as a service assembly or an attachment. These parts may also include parts not available for service. The illustrations may not show all individual parts of an attachment. A box not keyed includes non-current parts.

## Orientation Of Product

An arrow shown with an illustration is to indicate the direction of product forward travel. Right Hand (RH) and Left Hand (LH) sides are determined by product forward travel.

## Orientation of Engine

Right Hand (RH) and Left Hand (LH) sides are determined by standing at flywheel and facing the engine.

## John Deere Remanufactured Components

The REMAN parts listed in this catalog are intended for the repair or replacement of failed or worn original equipment components. John Deere Reman components are manufactured to stringent John Deere standards and produced to original John Deere specifications that incorporates the latest design and performance improvement updates.

**Ag and Turf Turf and Utility ? Trademarks**

7-Iron™	Quik-Trak™	Mulch On Demand™
Aercore™	Ready To Mow™	Trail Gator™
Auto 4x4 Wheel Drive™	RGator™	Turf Gator™
AutoConnect™	Roll-Gard™	X700™
AutoTrac™	iMatch™	ZTrak™
Buck™	John Deere™	Funk™
Gator™	SelectSpray™	iTorque™
Greens Tender™	TerrainCut™	Phoenix™
Precision Cut Reel™	E-Gator™	PowerTech™
PrecisionCut™	eHydro™	TMII™
ProGator™	EZtrak™	TMIII™

**Ag and Turf Turf and Utility ? Terms and Abbreviations**

Phrase	Meaning	Phrase	Meaning
A/C	Air Conditioning	NSEP	Not Supplied Separately
ALSO ORDER	Also Order	OD	Outside Diameter
AND	and	OOS	Open Operator's Station
APPL	This Application Only	OPTION	Option
AR	As Required	OPTIONAL	Optional
ASSY	Complete Assembly	OR	Or
CNLA	Complete No Longer Available (Order Individual Parts)	ORD	Order
COMPLETE	Complete	ORD W/	Order With
CTL	Cut To Length	OS	Oversize
CW	Clockwise	OUTER	Outer
ECU	Engine Control Unit	PKG	Package of
FI	Field Installation Kit	PTO	Power Take-Off
FIP	Fuel Injection Pump	RATIO	Ratio
FOR	For	RCU	Reverser Control Unit
FRONT	Front	REAR	Rear
HS, HEAD MARKED	High Strength, Head Marked	REMAN	Remanufactured
HTC	Heater Control Unit	RH	Right Hand
ID	Inside Diameter	SCV	Selective Control Valve
INCL	Includes	STD	Standard
INCL KEYS	Including Keys	SUB	Replaced by
INCLUDE PARTS MARKED	Include Parts Marked	SUB COMPONENTS	Sub Components
INNER	Inner	SUB FOR	Substitute for
KIT	Kit	TK	Thickness
LGTH	Length	UIM	User Interface Module
LH	Left Hand	UP	Upper
LOW	Lower	US	Undersize
MARKED	Marked	USE WITH	Use With
MF	Made From	W/	With
MFWD	Mechanical Front Wheel Drive	W/O	Without
NA	Not Applicable	Z	Gear and Sprocket Teeth Number
NLA	No Longer Available		



## 2030A ProGator™ Utility Vehicle

A.1



Two-Wheel Drive

2007 Model (Serial No. TC203AT010001-020000)  
 2008 Model (Serial No. TC203AT020001-030000)  
 2009 Model (Serial No. TC203AT030001-045000)  
 2010 Model (Serial No. TC203AT045001-050000)  
 2011 Model (Serial No. 1TC203AT++T 050001-060000)  
 2012 Model (Serial No. 1TC203AT++T 060001-070000)  
 2013 Model (Serial No. 1TC203AT++T070001-075000)  
 2014 Model (Serial No. 1TC203AT++T075001-080000)  
 2015 Model (Serial No. 1TC203AT++T080001-085000)  
 2016 Model (Serial No. 1TC203AT++T085001-090000)  
 2017 Model (Serial No. 1TC203AT++T090001-100000)  
 2018 Model (Serial No. 1TC203AT++T100001-110000)  
 2019 Model (Serial No. 1TC203AT++T110001-120000)  
 2020 Model (Serial No. 1TC203AT++T120001- 130000)  
 2021 Model (Serial No. 1TC203AT++T130001- 140000)  
 2022 Model (Serial No. 1TC203AT++T140001-160000 )  
 2023 Model (Serial No. 1TC203AT++T160001-170000 )  
 2024 Model (Serial No. 1TC203AT++R170001- )

*(Specifications and design subject to change without notice)*

For Attachment(S), See PC2649, PC2695, PC10329

## 2030A ProGator™ Utility Vehicle

A.1



### Four-Wheel Drive

- 2007 Model (Serial No. TC203AF010001-020000)
- 2008 Model (Serial No. TC203AF020001-030000)
- 2009 Model (Serial No. TC203AF030001-045000)
- 2010 Model (Serial No. TC203AF045001-050000)
- 2011 Model (Serial No. 1TC203AF++T050001-060000)
- 2012 Model (Serial No. 1TC203AF++T060001-070000)
- 2013 Model (Serial No. 1TC203AF++T070001-075000)
- 2014 Model (Serial No. 1TC203AF++T075001-080000)
- 2015 Model (Serial No. 1TC203AF++T080001-085000)
- 2016 Model (Serial No. 1TC203AF++T085001-090000)
- 2017 Model (Serial No. 1TC203AF++T090001-100000)
- 2018 Model (Serial No. 1TC203AF++T100001-110000)
- 2019 Model (Serial No. 1TC203AF++T110001-120000)
- 2020 Model (Serial No. 1TC203AF++T120001- 130000)
- 2021 Model (Serial No. 1TC203AF++T130001- 140000)
- 2022 Model (Serial No. 1TC203AF++T140001-160000 )
- 2023 Model (Serial No. 1TC203AF++T160001-170000 )
- 2024 Model (Serial No. 1TC203AF++R170001- )

For Attachment(S), See PC2649, PC2695, PC10329

*(Specifications and design subject to change without notice)*

## Product Identification And Serial Number Plate

An individual product identification and serial number is assigned to each machine. When writing about or filling out warranty claims, use all the characters shown on the plate.

Example: TC203AT010001

TC- Factory Designation (Turf Care)  
 203A- Model Or Machine Designation  
 2030APro Gator (Diesel)  
 T- Configuration Code  
 T - Two-Wheel Drive  
 F - Four-Wheel Drive  
 010001- Serial Number

Example: 1TC203AT++T050001

1TC- Factory Designation (Turf Care)  
 203A- Model Or Machine Designation  
 2030APro Gator (Diesel)  
 T- Configuration Code  
 T - Two-Wheel Drive  
 F - Four-Wheel Drive  
 +- Random Number  
 +- Calendar Year of Manufacture  
 T- Turf Care  
 050001- Serial Number

## Product Configuration Code

The configuration "alpha" code identifies a variation of a product. Example: A machine may be manufactured as a two-wheel or four-wheel drive unit, and be shipped with standard or wide cutting units; thus four variations of the same machine exist. It also identifies different products which have the same model or machine designation (a tractor and an attachment tiller may have the same model numbers). If no configuration "alpha" code is required, space is filled in with an "X".

## Serial Number Listing Information

Serial number information is listed to show on which machines each part can be used; for example:

- The part can be used on all products.
- 000000 - The part can be used on products beginning with the serial number listed.
- 000000 The part can be used on products up to and including the serial number listed.
- 000000 - 000000 The part can be used on products between and including the serial number listed.

When XXXXXX's are listed in place of a serial number, a serial number change was made, but the exact serial number was not available at the time of publication.

## To The Customer

The part numbers in this Parts Catalog were correct at the time of publication. Per John Deere policy, we continuously improve our products. Therefore, when ordering parts verify the part numbers with your dealer.

## SI Units of Measure

Metric dimensions are provided as applicable throughout this parts catalog.

## Bolt and Cap Screw Strength Identification

Bolts and cap screws required to have high-strength qualities equivalent to metric property class 10.9 (SAE grade 8) or higher are identified throughout this catalog by the description 10.9, 12.9 or 14.9. All standard bolts and cap screws are metric property class 8.8 (SAE grade 5) or lower.

## Illustrations

Illustrations in this catalog are only intended as a reference for dealers and customers. These illustrations do not necessarily represent the exact view of the parts.

## Box-Enclosed Illustrations

Box-enclosed keyed parts in the illustration are available as a service assembly or an attachment. These parts may also include parts not available for service. The illustrations may not show all individual parts of an attachment. A box not keyed includes non-current parts.

## Orientation Of Product

An arrow shown with an illustration is to indicate the direction of product forward travel. Right Hand (RH) and Left Hand (LH) sides are determined by product forward travel.

## Orientation of Engine

Right Hand (RH) and Left Hand (LH) sides are determined by standing at flywheel and facing the engine.

## John Deere Remanufactured Components

The REMAN parts listed in this catalog are intended for the repair or replacement of failed or worn original equipment components. John Deere Reman components are manufactured to stringent John Deere standards and produced to original John Deere specifications that incorporates the latest design and performance improvement updates.

**Ag and Turf Turf and Utility ? Trademarks**

7-Iron™	Quik-Trak™	Mulch On Demand™
Aercore™	Ready To Mow™	Trail Gator™
Auto 4x4 Wheel Drive™	RGator™	Turf Gator™
AutoConnect™	Roll-Gard™	X700™
AutoTrac™	iMatch™	ZTrak™
Buck™	John Deere™	Funk™
Gator™	SelectSpray™	iTorque™
Greens Tender™	TerrainCut™	Phoenix™
Precision Cut Reel™	E-Gator™	PowerTech™
PrecisionCut™	eHydro™	TMII™
ProGator™	EZtrak™	TMIII™

**Ag and Turf Turf and Utility ? Terms and Abbreviations**

Phrase	Meaning	Phrase	Meaning
A/C	Air Conditioning	NSEP	Not Supplied Separately
ALSO ORDER	Also Order	OD	Outside Diameter
AND	and	OOS	Open Operator's Station
APPL	This Application Only	OPTION	Option
AR	As Required	OPTIONAL	Optional
ASSY	Complete Assembly	OR	Or
CNLA	Complete No Longer Available (Order Individual Parts)	ORD	Order
COMPLETE	Complete	ORD W/	Order With
CTL	Cut To Length	OS	Oversize
CW	Clockwise	OUTER	Outer
ECU	Engine Control Unit	PKG	Package of
FI	Field Installation Kit	PTO	Power Take-Off
FIP	Fuel Injection Pump	RATIO	Ratio
FOR	For	RCU	Reverser Control Unit
FRONT	Front	REAR	Rear
HS, HEAD MARKED	High Strength, Head Marked	REMAN	Remanufactured
HTC	Heater Control Unit	RH	Right Hand
ID	Inside Diameter	SCV	Selective Control Valve
INCL	Includes	STD	Standard
INCL KEYS	Including Keys	SUB	Replaced by
INCLUDE PARTS MARKED	Include Parts Marked	SUB COMPONENTS	Sub Components
INNER	Inner	SUB FOR	Substitute for
KIT	Kit	TK	Thickness
LGTH	Length	UIM	User Interface Module
LH	Left Hand	UP	Upper
LOW	Lower	US	Undersize
MARKED	Marked	USE WITH	Use With
MF	Made From	W/	With
MFWD	Mechanical Front Wheel Drive	W/O	Without
NA	Not Applicable	Z	Gear and Sprocket Teeth Number
NLA	No Longer Available		

## 2030A ProGator™ Utility Vehicle

A.1



## Two-Wheel Drive

- 2007 Model (Serial No. TC203AT010001-020000)
- 2008 Model (Serial No. TC203AT020001-030000)
- 2009 Model (Serial No. TC203AT030001-045000)
- 2010 Model (Serial No. TC203AT045001-050000)
- 2011 Model (Serial No. 1TC203AT++T 050001-060000)
- 2012 Model (Serial No. 1TC203AT++T 060001-070000)
- 2013 Model (Serial No. 1TC203AT++T070001-075000)
- 2014 Model (Serial No. 1TC203AT++T075001-080000)
- 2015 Model (Serial No. 1TC203AT++T080001-085000)
- 2016 Model (Serial No. 1TC203AT++T085001-090000)
- 2017 Model (Serial No. 1TC203AT++T090001-100000)
- 2018 Model (Serial No. 1TC203AT++T100001-110000)
- 2019 Model (Serial No. 1TC203AT++T110001-120000)
- 2020 Model (Serial No. 1TC203AT++T120001- 130000)
- 2021 Model (Serial No. 1TC203AT++T130001- 140000)
- 2022 Model (Serial No. 1TC203AT++T140001-160000 )
- 2023 Model (Serial No. 1TC203AT++T160001-170000 )
- 2024 Model (Serial No. 1TC203AT++R170001- )

*(Specifications and design subject to change without notice)*

For Attachment(S), See PC2649, PC2695, PC10329

## 2030A ProGator™ Utility Vehicle

A.1



### Four-Wheel Drive

- 2007 Model (Serial No. TC203AF010001-020000)
- 2008 Model (Serial No. TC203AF020001-030000)
- 2009 Model (Serial No. TC203AF030001-045000)
- 2010 Model (Serial No. TC203AF045001-050000)
- 2011 Model (Serial No. 1TC203AF++T050001-060000)
- 2012 Model (Serial No. 1TC203AF++T060001-070000)
- 2013 Model (Serial No. 1TC203AF++T070001-075000)
- 2014 Model (Serial No. 1TC203AF++T075001-080000)
- 2015 Model (Serial No. 1TC203AF++T080001-085000)
- 2016 Model (Serial No. 1TC203AF++T085001-090000)
- 2017 Model (Serial No. 1TC203AF++T090001-100000)
- 2018 Model (Serial No. 1TC203AF++T100001-110000)
- 2019 Model (Serial No. 1TC203AF++T110001-120000)
- 2020 Model (Serial No. 1TC203AF++T120001- 130000)
- 2021 Model (Serial No. 1TC203AF++T130001- 140000)
- 2022 Model (Serial No. 1TC203AF++T140001-160000 )
- 2023 Model (Serial No. 1TC203AF++T160001-170000 )
- 2024 Model (Serial No. 1TC203AF++R170001- )

For Attachment(S), See PC2649, PC2695, PC10329

*(Specifications and design subject to change without notice)*



## Product Identification And Serial Number Plate

An individual product identification and serial number is assigned to each machine. When writing about or filling out warranty claims, use all the characters shown on the plate.

Example: TC203AT010001

TC- Factory Designation (Turf Care)  
 203A- Model Or Machine Designation  
 2030APro Gator (Diesel)  
 T- Configuration Code  
 T - Two-Wheel Drive  
 F - Four-Wheel Drive  
 010001- Serial Number

Example: 1TC203AT++T050001

1TC- Factory Designation (Turf Care)  
 203A- Model Or Machine Designation  
 2030APro Gator (Diesel)  
 T- Configuration Code  
 T - Two-Wheel Drive  
 F - Four-Wheel Drive  
 +- Random Number  
 +- Calendar Year of Manufacture  
 T- Turf Care  
 050001- Serial Number

## Product Configuration Code

The configuration "alpha" code identifies a variation of a product. Example: A machine may be manufactured as a two-wheel or four-wheel drive unit, and be shipped with standard or wide cutting units; thus four variations of the same machine exist. It also identifies different products which have the same model or machine designation (a tractor and an attachment tiller may have the same model numbers). If no configuration "alpha" code is required, space is filled in with an "X".

## Serial Number Listing Information

Serial number information is listed to show on which machines each part can be used; for example:

- The part can be used on all products.
- 000000 - The part can be used on products beginning with the serial number listed.
- 000000 The part can be used on products up to and including the serial number listed.
- 000000 - 000000 The part can be used on products between and including the serial number listed.

When XXXXXX's are listed in place of a serial number, a serial number change was made, but the exact serial number was not available at the time of publication.

## To The Customer

The part numbers in this Parts Catalog were correct at the time of publication. Per John Deere policy, we continuously improve our products. Therefore, when ordering parts verify the part numbers with your dealer.

## SI Units of Measure

Metric dimensions are provided as applicable throughout this parts catalog.

## Bolt and Cap Screw Strength Identification

Bolts and cap screws required to have high-strength qualities equivalent to metric property class 10.9 (SAE grade 8) or higher are identified throughout this catalog by the description 10.9, 12.9 or 14.9. All standard bolts and cap screws are metric property class 8.8 (SAE grade 5) or lower.

## Illustrations

Illustrations in this catalog are only intended as a reference for dealers and customers. These illustrations do not necessarily represent the exact view of the parts.

## Box-Enclosed Illustrations

Box-enclosed keyed parts in the illustration are available as a service assembly or an attachment. These parts may also include parts not available for service. The illustrations may not show all individual parts of an attachment. A box not keyed includes non-current parts.

## Orientation Of Product

An arrow shown with an illustration is to indicate the direction of product forward travel. Right Hand (RH) and Left Hand (LH) sides are determined by product forward travel.

## Orientation of Engine

Right Hand (RH) and Left Hand (LH) sides are determined by standing at flywheel and facing the engine.

## John Deere Remanufactured Components

The REMAN parts listed in this catalog are intended for the repair or replacement of failed or worn original equipment components. John Deere Reman components are manufactured to stringent John Deere standards and produced to original John Deere specifications that incorporates the latest design and performance improvement updates.

**Ag and Turf Turf and Utility ? Trademarks**

7-Iron™	Quik-Trak™	Mulch On Demand™
Aercore™	Ready To Mow™	Trail Gator™
Auto 4x4 Wheel Drive™	RGator™	Turf Gator™
AutoConnect™	Roll-Gard™	X700™
AutoTrac™	iMatch™	ZTrak™
Buck™	John Deere™	Funk™
Gator™	SelectSpray™	iTorque™
Greens Tender™	TerrainCut™	Phoenix™
Precision Cut Reel™	E-Gator™	PowerTech™
PrecisionCut™	eHydro™	TMII™
ProGator™	EZtrak™	TMIII™

**Ag and Turf Turf and Utility ? Terms and Abbreviations**

Phrase	Meaning	Phrase	Meaning
A/C	Air Conditioning	NSEP	Not Supplied Separately
ALSO ORDER	Also Order	OD	Outside Diameter
AND	and	OOS	Open Operator's Station
APPL	This Application Only	OPTION	Option
AR	As Required	OPTIONAL	Optional
ASSY	Complete Assembly	OR	Or
CNLA	Complete No Longer Available (Order Individual Parts)	ORD	Order
COMPLETE	Complete	ORD W/	Order With
CTL	Cut To Length	OS	Oversize
CW	Clockwise	OUTER	Outer
ECU	Engine Control Unit	PKG	Package of
FI	Field Installation Kit	PTO	Power Take-Off
FIP	Fuel Injection Pump	RATIO	Ratio
FOR	For	RCU	Reverser Control Unit
FRONT	Front	REAR	Rear
HS, HEAD MARKED	High Strength, Head Marked	REMAN	Remanufactured
HTC	Heater Control Unit	RH	Right Hand
ID	Inside Diameter	SCV	Selective Control Valve
INCL	Includes	STD	Standard
INCL KEYS	Including Keys	SUB	Replaced by
INCLUDE PARTS MARKED	Include Parts Marked	SUB COMPONENTS	Sub Components
INNER	Inner	SUB FOR	Substitute for
KIT	Kit	TK	Thickness
LGTH	Length	UIM	User Interface Module
LH	Left Hand	UP	Upper
LOW	Lower	US	Undersize
MARKED	Marked	USE WITH	Use With
MF	Made From	W/	With
MFWD	Mechanical Front Wheel Drive	W/O	Without
NA	Not Applicable	Z	Gear and Sprocket Teeth Number
NLA	No Longer Available		

---

**Table of Contents**

020 Engine TCM12469..... 55  
030 Fuel and Air ..... 97  
040 Electrical ..... 121  
050 Powertrain ..... 163  
060 Steering and Brakes ..... 207  
070 Hydraulics ..... 233  
080 Wheels, Frame and Operator Station ..... 253  
085 Attachments and Kits ..... 287  
090 Labels ..... 343



## Alphabetical Index

	Page		Page
4-Post Rollover Protective Structure Conversion Kit, Green	336	BEARING HOUSING, FRONT WHEEL (2WD)	196
A		BEARING KIT, CONNECTING ROD AND PISTON	67
Absorber, Shock Absorber, Shock Absorbers and Leaf Springs	230	BEARING KIT, CRANKSHAFT	60
ADJUSTER, SEAT (NORTH AMERICA/EXPORT)	262	Bearing, Alternator	122
AIR BOX, RADIATOR ( - 060000)	82	Bed Liner	326
Air Box, Radiator (060001 - 080000)	84	BED LINER (OPTIONAL)	326
Air Box, Radiator (080001 - )	86	Belt, Seat Belt Tightener, Seat	262
Air Cleaner	110	Belt, Seat Belt, Flip Seat (080001 - )	266
Air Cleaner (080001 - )	112	Belt, Seat Belt, Flip Seat W/ Switch (080001 - )	264
Air Cleaner (080001- ) (080001 - )	112	Belt, Seat Belt, Seat Driver	282
Air Restriction Indicator, Air Cleaner (080001- ) (080001 - )	112	Belt, Seat Belt, Seat Passenger	284
Alternator and Voltage Regulator	122	BELTS, SEAT (NORTH AMERICA/EXPORT)	262
Alternator, Alternator and Voltage Regulator	122	BIO FUEL HOSE ASSEMBLY (OPTIONAL)	118
Antenna, Mobile Communication Equipment Kit	160	BLOCK, CYLINDER	60
Arm, PTO Clutch Kit, 4WD	184	BLOCK, SHORT	62
ARM, PTO CLUTCH SHIFT	184	Blower, Fan, Radiator ( - 060000)	82
Arm, Rear View Mirror, 4-Post Roll-Gard™	318	Blower, Fan, Radiator (060001 - 080000)	84
Arm, Rocker Arm Shaft, Cylinder Head, Valves and Rocker Arms	64	Blower, Fan, Radiator (080001 - )	86
Arm, Rocker Arm, Cylinder Head, Valves and Rocker Arms	64	Bolts, Engine Mounting (-045000) ( - 045000)	254
Arm, Throttle Control and Cable	108	BOLTS, ENGINE MOUNTING (045001-050000) (045001 - 050000)	256
Arm, Throttle/Governor Control Kit	312	Bolts, Engine Mounting (050001- ) (050001 - )	258
Arm, Transaxle Gear Shift Forks and Shafts	168	BOOT KIT, CV JOINT, FRONT AXLE - 4WD	202
Arm, Transaxle, Differential	180	BOOT REPAIR KIT (IGNITION) ( - 060000)	148
Armature, Starter Motor	124	BOOT, MAIN GEAR SHIFT ( - 060000)	192
Armrest Kit	340	Boot, Main Gear Shift (060001 - )	194
Armrest Kit (Optional)	277	BOOT, PARKING BRAKE ( - 060000)	224
Armrest, Armrest Kit, Armrest Kit	340	Boot, Parking Brake (060001 - )	226
Armrest, Armrest Kit, Armrest Kit (Optional)	277	Boot, Reverser	260
Armrest, Attachment	277	BOTTLE, COOLANT OVERFLOW ( - 060000)	82
Attachment, 4-Post ROPS Conversion Kit	322	Bottle, Coolant Overflow (060001 - 080000)	84
Attachment, Armrest	277	Bottle, Coolant Overflow (080001 - )	86
Attachment, Auxiliary Hydraulic ( - 060000)	288	BOX, CARGO (OPTIONAL) (-045000) ( - 045000)	308
Attachment, Auxiliary Hydraulic (060001 - 075000)	290	BOX, CARGO (OPTIONAL) (045001- ) (045001 - )	310
Attachment, Auxiliary Hydraulic (075001 - )	294	Bracket Filter, Head (075001 - )	296
Attachment, Cargo Box	306	Bracket, Alternator Adjusting	122
Attachment, Cargo Box ( - 045000)	308	Bracket, Belt Guard (080001 - )	348
Attachment, Coupler, Quick Connect, Hydraulic	252	BRACKET, BELT GUARD (EUROPEAN)	346
Attachment, Heavy Duty Leaf Spring, Rear	228	BRACKET, CLUTCH CABLE	178
Attachment, Leaf Spring, Heavy Duty	327	BRACKET, FUEL FILTER	100
Attachment, Liner, Cargo Box	326	BRACKET, HYDRAULIC PUMP ( - 060000)	234
Attachment, Receiver Hitch, Rear	314	BRACKET, HYDRAULIC RESERVOIR ( - 060000)	288
Attachment, Tailgate Release	304	Bracket, Hydraulic Reservoir (060001 - 075000)	292
Attachment, Tires and Wheels, Wide Rear Multi-Trac	275	BRACKET, OIL FILTER (ENGINE)	70
Attachment, Turn Signal Light W/ Harness	298	BRACKET, PTO LEVER	246
Attachment, Wide Fairway Rear Tires	273	Bracket, Seat Assembly (080001 - )	266
Attachment, Wide Smooth Rear Tires	271	BRACKET, TAILPIPE ( - 080000)	115
Attachment, Work Light	302	BRACKET, UPSTOP (REAR SPRINGS)	230
Auxiliary Hydraulic Kit ( - 060000)	288	Bracket, Water Separator	119
Auxiliary Hydraulic Kit (060001 - 075000)	292	BRAKE CYLINDER AND LINES	222
Auxiliary Hydraulic Lines (075001 - )	296	Brake Rotor Hub (060001 - )	214, 218
Auxiliary Hydraulic, Attachment ( - 060000)	288	BRAKE SWITCH ( - 060000)	148
Auxiliary Hydraulic, Attachment (060001 - 075000)	290	Brake, Brake Drum, Front Brakes ( - 060000)	212
Auxiliary Hydraulic, Attachment (075001 - )	294	Brake, Brake Drum, Rear Brakes ( - 060000)	216
Axle Housing	182	Brake, Brake Kit, Brakes, Rear (060001 - )	218
AXLE HOUSING, FRONT - 4WD	202	Brake, Brake Pad, Brakes, Rear (060001 - )	218
AXLE HOUSINGS AND SHAFTS, REAR	182	Brake, Brake Pad, Park Brake Kit	220
AXLE, FRONT (2WD)	196	Brake, Brake Shoe, Front Brakes ( - 060000)	212
AXLE, FRONT (4WD) - COMPLETE	198	Brake, Brake Shoe, Rear Brakes ( - 060000)	216
Axle, Front Axle, Front Axle, 2WD	196	Brake, Brakes, Front (060001 - )	214
Axle, Front Axle, Front Axle, 4WD	198	Brake, Brakes, Rear (060001 - )	218
B		Brake, Brake Caliper Assy, Brakes, Front (060001 - )	214
BALL JOINT, STEERING - 4WD	202	Brake, Disk Brake Caliper Assy, Brakes, Rear (060001 - )	218
BALL JOINT, STEERING (2WD)	196	Brake, Front Brakes ( - 060000)	212
Bar, Grab (-045000) ( - 045000)	254	Brake, Park Brake Kit	220
BAR, GRAB (045001-050000) (045001 - 050000)	256	BRAKE, PARKING ( - 060000)	224
Bar, Grab (050001- ) (050001 - )	258	Brake, Rear Brakes ( - 060000)	216
Bar, Hitches (For Europe)	316	BRAKES, FRONT ( - 060000)	212
Base, Battery ( - 060000)	146	Brakes, Front (060001 - )	214
Base, Battery (060001 - )	147	Brakes, Front Drive (060001 - )	214
Battery / Cables (060001 - )	147	Brakes, Front Pass (060001 - )	214
Battery and Cables ( - 060000)	146	BRAKES, REAR ( - 060000)	216
Battery and Cables (060001 - )	147	Brakes, Rear (060001 - )	218
Battery, Battery Cable, Battery and Cables ( - 060000)	146	Brakes, Rear Drive (060001 - )	218
Battery, Battery Cable, Battery and Cables (060001 - )	147	Brakes, Rear Pass (060001 - )	218
Battery, Dry Charged Battery, Battery and Cables ( - 060000)	146	BREATHER, FRONT AXLE - 4WD	202
Battery, Dry Charged Battery, Battery and Cables (060001 - )	147	Breather, Front Gear Case, 4WD	202
Battery, Wet Charged Battery, Battery and Cables ( - 060000)	146	Breather, Transaxle Case	166
Battery, Wet Charged Battery, Battery and Cables (060001 - )	147	Brushes And Holder, Alternator	122
		Bulb, Head Lamp and Tail Lamp (For Europe)	156
		Bulb, Headlight and Stop Light	154
		Bulb, Trailer Outlet and Bracket (For Europe)	158
		Bulb, Turn Signal Kit	300
		BULBS, HEADLIGHT (EUROPEAN)	156

## Alphabetical Index - Continued

<i>Page</i>	<i>Page</i>		
BULBS, HEADLIGHT (NORTH AMERICA/EXPORT).....	154	Channel, Hydraulic Pump, Bracket and Coupling ( - 060000).....	234
Bumper (-045000) ( - 045000).....	254	CHANNEL, SAFETY LOCK ( - 060000).....	250
BUMPER (045001-050000) (045001 - 050000).....	256	Channel, Safety Lock (060001 - ).....	251
Bumper (050001-) (050001 - ).....	258	Chassis Wiring Harness (1/2) (120001 - 130000).....	138
Bumper, Cargo Box ( - 045000).....	308	Chassis Wiring Harness (1/2) (130001 - ).....	142
Bumper, Cargo Box (045001 - ).....	310	Chassis Wiring Harness (2/2) (120001 - 130000).....	140
Bumper, Frame ( - 045000).....	254	Chassis Wiring Harness (2/2) (130001 - ).....	144
Bumper, Frame (045001 - 050000).....	256	Chassis Wiring Harness, Center ( - 060000).....	132
Bumper, Frame (050001 - ).....	258	Chassis Wiring Harness, Center (060001 - 120000).....	133
Bumper, Seat Driver.....	282	Chassis Wiring Harness, Front ( - 060000).....	128
Bumper, Seat Passenger.....	284	Chassis Wiring Harness, Front (060001 - 120000).....	130
Bumper, Shock Absorbers and Leaf Springs.....	230	Chassis Wiring Harness, Rear ( - 060000).....	134
Bumpers Caps.....	260	Chassis Wiring Harness, Rear (060001 - 120000).....	136
Bushing, Camshaft.....	58	Check Valve, Fuel Line.....	106
<b>C</b>		Clevis, Master Brake and Pedal.....	222
Cable, Battery Cable, Battery and Cables ( - 060000).....	146	Clevis, Tailgate Release Kit.....	304
Cable, Battery Cable, Battery and Cables (060001 - ).....	147	Clevis, Work Light Kit.....	302
Cable, Cargo Box ( - 045000).....	308	Clutch Control.....	178
Cable, Cargo Box (045001 - ).....	310	Clutch Kit.....	176
CABLE, CLUTCH.....	178	Clutch Kit and Clutch Shaft.....	174
CABLE, DIFFERENTIAL LOCK.....	206	Clutch, Clutch Disk, Clutch Kit.....	176
Cable, Elec. Connector Cable Seal, Chassis Wiring Harness (1/2)		Clutch, Clutch Disk, Clutch Kit and Clutch Shaft.....	174
(120001 - 130000).....	138	Clutch, Clutch Kit.....	176
Cable, Elec. Connector Cable Seal, Chassis Wiring Harness (2/2)		Clutch, Clutch Kit, Clutch Kit.....	176
(120001 - 130000).....	140	Clutch, Clutch Kit, Clutch Kit and Clutch Shaft.....	174
Cable, Elec. Connector Cable Seal, Chassis Wiring Harness, Center		Clutch, Clutch Kit, PTO Clutch Kit, 4WD.....	184
(060001 - 120000).....	133	CLUTCH, MFWD.....	184
Cable, Elec. Connector Cable Seal, Chassis Wiring Harness, Front		Clutch, Starter Motor.....	124
(060001 - 120000).....	130	Clutch, Transaxle.....	165, 166
Cable, Elec. Connector Cable Seal, Chassis Wiring Harness, Rear		Collar, Locking Collar, Head Lamp and Tail Lamp (For Europe).....	156
(060001 - 120000).....	136	Collar, Shift Collar, Axle Housing.....	182
Cable, Ground Cable, Battery and Cables ( - 060000).....	146	Collar, Shift Collar, Differential, Front Axle, 4WD.....	200
Cable, Parking Brake ( - 060000).....	224	Collar, Shift Collar, PTO Clutch Kit, 4WD.....	184
Cable, Parking Brake (060001 - ).....	226	Collar, Shift Collar, Transaxle Gear Shift Forks and Shafts.....	168
Cable, Push Pull Cable, Clutch Control.....	178	Connecting Rod and Piston.....	67
Cable, Push Pull Cable, Differential Lock Linkage.....	206	CONNECTOR, GLOW PLUG.....	64
Cable, Push Pull Cable, Parking Brake (060001 - ).....	226	Container Tank, Hydraulic Reservoir, Attachment, Auxiliary Hydraulic	
Cable, Push Pull Cable, Throttle Control and Cable.....	108	(075001 - ).....	294
Cable, Safety Lock Bar ( - 060000).....	250	Container Tank, Hydraulic Reservoir, Auxiliary Hydraulic Kit ( -	
CABLE, SAFETY LOCK BAR ( - 060000).....	250	060000).....	288
Cable, Safety Lock Bar (060001 - ).....	251	Container Tank, Reservoir, Master Brake and Pedal.....	222
CABLE, THROTTLE.....	108	CONTROL VALVE, HYDRAULIC ( - 060000).....	242
Cables, Battery ( - 060000).....	146	Control Valve, Hydraulic (060001 - ).....	244
Cables, Battery (060001 - ).....	147	Control Valve, Steering (4WD).....	210
CABLES, PARKING BRAKE ( - 060000).....	224	Control Valve, Steering, 2WD.....	208
Cables, Parking Brake (060001 - ).....	226	CONTROL, THROTTLE.....	108
Cam, Throttle/Governor Control Kit.....	312	COOLANT OVERFLOW BOTTLE ( - 060000).....	82
Camshaft.....	58	Coolant Overflow Bottle (060001 - 080000).....	84
Camshaft and Driving Gears.....	68	Coolant Overflow Bottle (080001 - ).....	86
Camshaft, Camshaft and Driving Gears.....	68	COOLER, HYDRAULIC OIL ( - 060000).....	288
CAMSHAFT, FUEL INJECTION PUMP.....	102	Cooler, Hydraulic Oil (060001 - 075000).....	292
Camshaft, Short Block.....	62	Cooler, Oil Cooler, Auxiliary Hydraulic Kit ( - 060000).....	288
Canopy Kit W/ Rear View Mirror.....	328	Cooler, Oil Cooler, Auxiliary Hydraulic Kit (060001 - 075000).....	292
Canopy, Canopy Kit W/ Rear View Mirror.....	328	Cooler, Oil Cooler, Auxiliary Hydraulic Lines (075001 - ).....	296
Cap, Fuel Tank.....	98	COOLING FAN, RADIATOR ( - 060000).....	82
CAP, HYDRAULIC FILLER ( - 060000).....	288	Cooling Fan, Radiator (060001 - 080000).....	84
Cap, Hydraulic Filler (060001 - 075000).....	292	COUNTER SHAFT, TRANSAXLE.....	170
CAP, OIL FILLER.....	64	COUPLER KIT, HYDRAULIC.....	252
Caps, Bumper.....	260	Coupler, Quick Connect, Hydraulic, Attachment.....	252
Cargo Box ( - 045000).....	308	Coupling, Differential, Front Axle, 4WD.....	200
Cargo Box (045001 - ).....	310	COUPLING, HYDRAULIC PUMP ( - 060000).....	234
CARGO BOX (OPTIONAL) (-045000) ( - 045000).....	308	Coupling, Splined Coupling, Hydraulic Pump, Bracket and Coupling ( -	
CARGO BOX (OPTIONAL) (045001-) (045001 - ).....	310	060000).....	234
Cargo Box, Attachment.....	306	COVER, CYLINDER HEAD.....	64
Cargo Box, Attachment ( - 045000).....	308	Cover, Gear Case (080001 - ).....	76
CARRIER, FRONT DIFFERENTIAL - 4WD.....	202	COVER, GEAR CASE (ENGINE) ( - 080000).....	74
Case, Case Kit, Engine Mounting Flange and Oil Pan.....	78	Cover, Governor Case.....	104
Case, Differential, Front Axle, 4WD.....	200	Cover, Water Pump.....	72
Case, Front Gear Case, 4WD.....	202	Crankshaft and Flywheel.....	66
Case, Fuel Injection Pump (2/2).....	104	CRANKSHAFT BEARINGS.....	60
Case, Gear (080001 - ).....	76	Crankshaft, Crankshaft and Flywheel.....	66
CASE, GEAR (ENGINE) ( - 080000).....	74	Crankshaft, Short Block.....	62
Case, Gear Case, Gear Case ( - 080000).....	74	CROSS & BEARING KIT, 4WD DRIVE SHAFT.....	190
Case, Gear Case, Gear Case (080001 - ).....	76	CV JOINT, FRONT AXLE - 4WD.....	202
Case, Governor.....	104	Cylinder Block.....	60
Case, Transaxle.....	166	CYLINDER HEAD.....	64
Case, Transaxle, Differential.....	180	Cylinder Head, Valves and Rocker Arms.....	64
Case, Transmission Case, Transaxle Case.....	166	CYLINDER SAFETY LOCK BAR ( - 060000).....	250
Chain, Chain Link, Hydraulic Control Valve Lever.....	246	Cylinder Safety Lock Bar (060001 - ).....	251
Channel, Cargo Box ( - 045000).....	308	CYLINDER, BRAKE (FRONT WHEEL) ( - 060000).....	212
		CYLINDER, BRAKE (REAR WHEEL) ( - 060000).....	216
		Cylinder, Cylinder Block, Cylinder Block.....	60
		Cylinder, Cylinder Block, Short Block.....	62



## Alphabetical Index - Continued

<i>Page</i>	<i>Page</i>		
Cylinder, Cylinder Head, Cylinder Head, Valves and Rocker Arms.....	64	Disk, Hydraulic Pump, Bracket and Coupling ( - 060000) .....	234
Cylinder, Front Brakes ( - 060000) .....	212	Drawbar, Hitches (For Europe).....	316
Cylinder, Gas Operated Cylinder, Throttle Control and Cable.....	108	Driveshaft, 4WD .....	190
Cylinder, Hydraulic Cylinder Kit, Lift Cylinder and Oil Lines .....	248	Driveshaft, Universal Driveshaft, Driveshaft, 4WD .....	190
Cylinder, Hydraulic Cylinder, Front Axle, 2WD .....	196	Drum, Brake Drum, Front Brakes ( - 060000) .....	212
Cylinder, Hydraulic Cylinder, Hydraulic Cylinder, 4WD.....	204	Drum, Brake Drum, Rear Brakes ( - 060000) .....	216
Cylinder, Hydraulic Cylinder, Lift Cylinder and Oil Lines.....	248	DRUM, FRONT BRAKE ( - 060000).....	212
Cylinder, Hydraulic Cylinder, Steering Wheel, Valve and Cylinder, 2WD .....	208	DRUM, REAR BRAKE ( - 060000).....	216
Cylinder, Hydraulic Cylinder, Steering Wheel, Valve and Cylinder, 4WD .....	210	DUCT, AIR INTAKE .....	110
Cylinder, Hydraulic Lift.....	248		
CYLINDER, MASTER BRAKE .....	222	E	
Cylinder, Master Brake and Pedal .....	222	Ejector, Air Cleaner.....	110
Cylinder, Rear Brakes ( - 060000).....	216	ELEMENT, AUXILIARY HYDRAULIC FILTER ( - 060000).....	288
Cylinder, Steering (4WD).....	210	Element, Auxiliary Hydraulic Filter (060001 - 075000) .....	292
Cylinder, steering, 2wd .....	208	ELEMENT, FUEL FILTER.....	100
		ELEMENT, HYDRAULIC OIL FILTER ( - 060000).....	238
D		Element, Hydraulic Oil Filter (060001 - ) .....	240
DASH PANEL .....	126	Engine .....	58
De-Aeration Tank ( - 060000).....	80	ENGINE BLOCK, SHORT .....	62
Decal, Label Kit, Labels Kit (For Europe) .....	346	ENGINE CYLINDER HEAD GASKET .....	60, 92
Decal, Label, Auxiliary Hydraulic Kit ( - 060000) .....	288	Engine Mounting Bolts (-045000) ( - 045000) .....	254
Decal, Label, Auxiliary Hydraulic Kit (060001 - 075000) .....	292	ENGINE MOUNTING BOLTS (045001-050000) (045001 - 050000) .....	256
Decal, Label, Auxiliary Hydraulic Lines (075001 - ) .....	296	Engine Mounting Bolts (050001-) (050001 - ) .....	258
Decal, Label, Battery and Cables ( - 060000) .....	146	Engine Mounting Flange and Oil Pan.....	78
Decal, Label, Bed Liner .....	326	Engine Sub-Frame (-045000) ( - 045000) .....	254
Decal, Label, Cargo Box ( - 045000).....	308	ENGINE SUB-FRAME (045001-050000) (045001 - 050000) .....	256
Decal, Label, Cargo Box (045001 - ) .....	310	Engine Sub-Frame (050001-) (050001 - ) .....	258
Decal, Label, Fenders and Panels .....	260	Engine, Diesel Engine, Engine .....	58
Decal, Label, Frame (050001 - ) .....	258	Equalizer, Park Brake (060001 - ) .....	226
Decal, Label, Gear Shift, Main ( - 060000).....	192	Exhaust Manifold .....	114
Decal, Label, Label Kit.....	354	EXHAUST PIPE ( - 080000).....	115
Decal, Label, Labels .....	344, 352	Exhaust Pipe (080001-) (080001 - ) .....	116
Decal, Label, Labels (Not for Canada and USA) (080001 - ) .....	348	Exhaust Pipe Silencer, Muffler, Muffler ( - 080000) .....	115
Decal, Label, Labels Kit (For Europe) .....	346	Exhaust Pipe Silencer, Muffler, Muffler (080001 - ) .....	116
Decal, Label, Labels, French Canadian .....	350	EXHAUST VALVES .....	64
Decal, Label, Muffler (080001 - ) .....	116	EXPANSION TANK, COOLANT ( - 060000) .....	82
Decal, Label, Rear Panel Kit .....	330	Expansion Tank, Coolant (060001 - 080000) .....	84
Decal, Label, Relays and Switches (060001 - ) .....	150	Expansion Tank, Coolant (080001 - ) .....	86
Decal, Label, Roll Over Protection Structure (060001 - ) .....	280	Extension, Extension Spring, Clutch Control .....	178
Decal, Label, Rollover Guard ( - 050000).....	278	Extension, Extension Spring, Seat .....	262
Decal, Label, Rollover Guard (050001 - ), ( - 060000).....	279	Extension, Extension Spring, Throttle Control and Cable .....	108
Decal, Label, Tailgate Release Kit.....	304		
Decal, Label, Throttle/Governor Control Kit.....	312	F	
Decals (080001 - ).....	348	Fan, Radiator ( - 060000) .....	82
DECALS (EUROPEAN).....	346	Fan, Radiator (060001 - 080000) .....	84
Decals, French / Canadian .....	350	Fan, Radiator (080001 - ) .....	86
Decals, North America / Export .....	344	FAN, RADIATOR COOLING ( - 060000) .....	82
Decals, Service Chart .....	352	Fan, Radiator Cooling (060001 - 080000) .....	84
Deflector, Cylinder Head, Valves and Rocker Arms .....	64	Fender, Fenders and Panels .....	260
Detent, Detent Kit, Hydraulic Control Valve ( - 060000) .....	242	Fenders and Panels .....	260
Detent, Hydraulic Control Valve (060001 - ) .....	244	Fenders, Front And Rear .....	260
DIFFERENTIAL CARRIER, FRONT - 4WD .....	202	FIFTH GEAR LOCKOUT ( - 060000) .....	192
DIFFERENTIAL CARRIER, FRONT (4WD).....	200	Fifth Gear Lockout (060001 - ) .....	194
Differential Lock Linkage .....	206	FILLER NECK, DIPSTICK.....	70
Differential, Front Axle, 4WD .....	200	FILTER ELEMENT, FUEL.....	100
Diode, Chassis Wiring Harness (2/2) (120001 - 130000) .....	140	FILTER, AIR .....	110
Diode, Chassis Wiring Harness (2/2) (130001 - ) .....	144	FILTER, AUXILIARY HYDRAULIC ( - 060000) .....	288
Diode, Chassis Wiring Harness, Center ( - 060000).....	132	Filter, Auxiliary Hydraulic (060001 - 075000).....	292
Diode, Chassis Wiring Harness, Rear (060001 - 120000) .....	136	FILTER, ENGINE OIL.....	70
Diode, Relays and Switches (060001 - ) .....	150	Filter, Filter Element, Air Cleaner.....	110
DIPSTICK.....	70	Filter, Filter Element, Air Cleaner (080001 - ) .....	112
Dipstick, Dipstick Tube, Oil Filter .....	70	Filter, Filter Element, Fuel Pump and Fuel Filter .....	100
DIPSTICK, FRONT AXLE - 4WD .....	202	Filter, Filter Head, Auxiliary Hydraulic Kit ( - 060000) .....	288
Dipstick, Front Gear Case, 4WD .....	202	Filter, Filter Head, Auxiliary Hydraulic Lines (075001 - ) .....	296
Dipstick, Oil Filter.....	70	Filter, Filter Head, Hydraulic Supply Lines and Filter ( - 060000).....	238
Dipstick, Transaxle Case .....	166	Filter, Filter Head, Hydraulic Supply Oil Lines and Filter Head (060001 - ).....	240
Dipstick, Transaxle Oil.....	166	FILTER, FUEL.....	100
Disc, Clutch .....	176	Filter, Fuel Filter, Fuel Pump and Fuel Filter.....	100
DISC, CLUTCH .....	174	FILTER, HYDRAULIC ( - 060000) .....	238
Disc, Clutch Disk, Clutch Kit.....	176	Filter, Hydraulic (060001 - ) .....	240
Disc, Clutch Disk, Clutch Kit and Clutch Shaft .....	174	Filter, Oil Filter, Auxiliary Hydraulic Kit ( - 060000) .....	288
Disc, Disk Brake Caliper Assy, Brakes, Front (060001 - ) .....	214	Filter, Oil Filter, Auxiliary Hydraulic Kit (060001 - 075000) .....	292
Disc, Disk Brake Caliper Assy, Brakes, Rear (060001 - ) .....	218	Filter, Oil Filter, Auxiliary Hydraulic Lines (075001 - ) .....	296
Disc, Disk, Hydraulic Pump, Bracket and Coupling ( - 060000) .....	234	Filter, Oil Filter, Hydraulic Supply Lines and Filter ( - 060000).....	238
Disk, Clutch Disk, Clutch Kit.....	176	Filter, Oil Filter, Hydraulic Supply Oil Lines and Filter Head (060001 - ).....	240
Disk, Clutch Disk, Clutch Kit and Clutch Shaft .....	174	Filter, Oil Filter, Oil Filter .....	70
Disk, Disk Brake Caliper Assy, Brakes, Front (060001 - ) .....	214	Filter, Transaxle Oil.....	166
Disk, Disk Brake Caliper Assy, Brakes, Rear (060001 - ) .....	218		
DISK, HYDRAULIC PUMP COUPLING ( - 060000).....	234		



## Alphabetical Index - Continued

<i>Page</i>	<i>Page</i>		
Harness, Harness Kit, Trailer Outlet and Bracket (For Europe).....	158	Hose, Hose Support, Radiator ( - 060000).....	82
Harness, Sensor Wiring Harness, Radiator (060001 - 080000).....	84	Hose, Hydraulic Hose, Auxiliary Hydraulic Kit ( - 060000).....	288
Harness, Wiring Harness, Chassis Wiring Harness (1/2) (120001 - 130000).....	138	Hose, Hydraulic Hose, Front Axle, 2WD.....	196
Harness, Wiring Harness, Chassis Wiring Harness (1/2) (130001 - ).....	142	Hose, Hydraulic Hose, Hydraulic Cylinder, 4WD.....	204
Harness, Wiring Harness, Chassis Wiring Harness (2/2) (120001 - 130000).....	140	Hose, Hydraulic Hose, Hydraulic Pump, Bracket and Coupling (060001 - ).....	236
Harness, Wiring Harness, Chassis Wiring Harness (2/2) (130001 - ).....	144	Hose, Hydraulic Hose, Hydraulic Supply Oil Lines and Filter Head (060001 - ).....	240
Harness, Wiring Harness, Chassis Wiring Harness, Center ( - 060000).....	132	Hose, Hydraulic Hose, Lift Cylinder and Oil Lines.....	248
Harness, Wiring Harness, Chassis Wiring Harness, Center (060001 - 120000).....	133	Hose, Hydraulic Hose, Master Brake and Pedal.....	222
Harness, Wiring Harness, Chassis Wiring Harness, Front ( - 060000).....	128	Hose, Hydraulic Hose, Steering Wheel, Valve and Cylinder, 2WD.....	208
Harness, Wiring Harness, Chassis Wiring Harness, Front (060001 - 120000).....	130	Hose, Hydraulic Hose, Steering Wheel, Valve and Cylinder, 4WD.....	210
Harness, Wiring Harness, Chassis Wiring Harness, Rear ( - 060000).....	134	HOSE, HYDRAULIC SUPPLY ( - 060000).....	238
Harness, Wiring Harness, Chassis Wiring Harness, Rear (060001 - 120000).....	136	Hose, Hydraulic Supply (060001 - ).....	240
Harness, Wiring Harness, Head Lamp and Tail Lamp (For Europe).....	156	Hose, Hydraulic Supply Lines and Filter ( - 060000).....	238
Harness, Wiring Harness, Light Kit.....	334	Hose, Hydraulic Supply Oil Lines and Filter Head (060001 - ).....	240
Harness, Wiring Harness, Mobile Communication Equipment Kit.....	160	Hose, Lift Cylinder and Oil Lines.....	248
Harness, Wiring Harness, Relays and Switches (060001 - ).....	150	Hose, Lift Cylinder Hydraulic.....	248
Harness, Wiring Harness, Turn Signal Kit.....	300	Hose, Radiator ( - 060000).....	82
Harness, Wiring Harness, Work Light Kit.....	302	Hose, Radiator (060001 - 080000).....	84
HARNES, WIRING, TURN SIGNAL KIT (OPTIONAL).....	300	Hose, Radiator (080001 - ).....	86
HEAD GASKET, ENGINE.....	92	Hose, Radiator Hose, Radiator (060001 - 080000).....	84
Head Lamp and Tail Lamp (For Europe).....	156	Hose, Steering Wheel, Valve and Cylinder, 2WD.....	208
HEAD LAMPS (EUROPEAN).....	156	Hose, Steering Wheel, Valve and Cylinder, 4WD.....	210
HEAD LAMPS (NORTH AMERICA/EXPORT).....	154	Hose, Suction Hose, Auxiliary Hydraulic Kit ( - 060000).....	288
HEAD, CYLINDER.....	64	Hose, Transaxle Gear Shift Forks and Shafts.....	168
Headlight and Stop Light.....	154	Hoses And Fittings, Steering (4WD).....	210
Headlight, Head Lamp and Tail Lamp (For Europe).....	156	Hoses And Fittings, Steering, 2WD.....	208
Headlight, Headlight and Stop Light.....	154	HOSES AND LINES, BRAKE.....	222
Heavy Duty Leaf Springs.....	327	Hoses, Fuel.....	98
HEAVY DUTY LEAF SPRINGS (OPTIONAL).....	327	HOSES, RADIATOR ( - 060000).....	82
Heavy Duty Rear Leaf Spring Kit.....	338	Hoses, Radiator (060001 - 080000).....	84
Hitch, Hitches (For Europe).....	316	Hoses, Radiator (080001 - ).....	86
HITCH, REAR (OPTIONAL) (NORTH AMERICA/EXPORT).....	315	Housing, Axle Housing.....	182
HITCH, REAR (RECEIVER) (OPTIONAL) (NORTH AMERICA/EXPORT).....	314	Housing, Bearing Housing W/O Bearing, Front Axle, 2WD.....	196
Hitch, Rear Hitch.....	315	Housing, Bearing Housing W/O Bearing, Front Gear Case, 4WD.....	202
Hitch, Rear Hitch Receiver.....	314	HOUSING, CLUTCH.....	174
Hitches (For Europe).....	316	Housing, Elec. Connector Housing, Chassis Wiring Harness (1/2) (120001 - 130000).....	138
HITCHES, FRONT AND REAR (EUROPEAN).....	316	Housing, Elec. Connector Housing, Chassis Wiring Harness (1/2) (130001 - ).....	142
Holder, Alternator and Voltage Regulator.....	122	Housing, Elec. Connector Housing, Chassis Wiring Harness (2/2) (120001 - 130000).....	140
Holder, Carbon Brush Holder, Starter Motor.....	124	Housing, Elec. Connector Housing, Chassis Wiring Harness (2/2) (130001 - ).....	144
Holder, Head Lamp and Tail Lamp (For Europe).....	156	Housing, Elec. Connector Housing, Chassis Wiring Harness, Center ( - 060000).....	132
Holder, Holder Kit, Starter Motor.....	124	Housing, Elec. Connector Housing, Chassis Wiring Harness, Center (060001 - 120000).....	133
Holder, Nozzle Holder, Fuel Nozzles and Lines.....	106	Housing, Elec. Connector Housing, Chassis Wiring Harness, Front ( - 060000).....	128
Home Maintenance Kit (For Canada and USA).....	95	Housing, Elec. Connector Housing, Chassis Wiring Harness, Front (060001 - 120000).....	130
Home Maintenance Kit (Not for Canada and USA).....	94	Housing, Elec. Connector Housing, Chassis Wiring Harness, Rear ( - 060000).....	134
Hook, Fuel Injection Pump (2/2).....	104	Housing, Elec. Connector Housing, Chassis Wiring Harness, Rear (060001 - 120000).....	136
Hook, Hook Bolt, Throttle Control and Cable.....	108	Housing, Elec. Connector Housing, Light Kit.....	334
Horn Kit.....	152	Housing, Elec. Connector Housing, Relays and Switches (060001 - ).....	150
Horn, Horn Kit, Horn Kit.....	152	Housing, Elec. Connector Housing, Turn Signal Kit.....	300
HOSE ASY, BIO FUEL (OPTIONAL).....	118	Housing, Front Gear Case, 4WD.....	202
Hose B20, Optional.....	118	HOUSING, FUEL FILTER.....	100
Hose Fitting, Air Cleaner (080001-) (080001 - ).....	112	Housing, Fuel Injection Pump (1/2).....	102
Hose, Air Cleaner.....	110	Housing, Gear Case (080001 - ).....	76
Hose, Air Cleaner (080001 - ).....	112	HOUSING, GEAR CASE (ENGINE) ( - 080000).....	74
HOSE, AIR INTAKE.....	110	Housing, Housing Kit, Starter Motor.....	124
HOSE, AUXILIARY HYDRAULIC ( - 060000).....	288	Housing, Intermediate Housing, Engine Mounting Flange and Oil Pan.....	78
Hose, Auxiliary Hydraulic (060001 - 075000).....	292	HOUSING, PTO CLUTCH.....	184
Hose, Auxiliary Hydraulic Kit ( - 060000).....	288	Housing, PTO Clutch Kit, 4WD.....	184
HOSE, BIO FUEL (OPTIONAL).....	118	Housing, Throttle/Governor Control Kit.....	312
Hose, Bulk Hose, Hydraulic Supply Lines and Filter ( - 060000).....	238	Housing, Transaxle Case.....	166
Hose, Bulk Hose, Radiator ( - 060000).....	82	Housing, Water Pump.....	72
Hose, Bulk Hose, Radiator (060001 - 080000).....	84	Housing, Water Pump and Thermostat.....	72
Hose, Fuel Tank and Lines.....	98	HOUSINGS, REAR AXLE.....	182
Hose, Hose B20, Optional.....	118	Hub, Brake Rotor (060001 - ).....	214, 218
Hose, Hose Clamp, Hydraulic Supply Oil Lines and Filter Head (060001 - ).....	240	Hub, Brakes, Front (060001 - ).....	214
Hose, Hose Fitting, Air Cleaner (080001 - ).....	112	Hub, Brakes, Rear (060001 - ).....	218
Hose, Hose Fitting, Radiator (060001 - 080000).....	84	Hub, Front Axle, 2WD.....	196
Hose, Hose Fitting, Radiator (080001 - ).....	86	Hub, Front Gear Case, 4WD.....	202
Hose, Hose Kit, Hose B20, Optional.....	118	HUB, FRONT WHEEL - 4WD.....	202
Hose, Hose Kit, Steering Wheel, Valve and Cylinder, 2WD.....	208	HUB, FRONT WHEEL (2WD).....	196
Hose, Hose Kit, Steering Wheel, Valve and Cylinder, 4WD.....	210		
Hose, Hose Support, Lift Cylinder and Oil Lines.....	248		

## Alphabetical Index - Continued

Page	Page		
Hub, Hub Kit, Hydraulic Pump, Bracket and Coupling (060001 - ).....	236	KIT, THROTTLE/GOVERNOR CONTROL (OPTIONAL).....	312
HUB, HYDRAULIC PUMP COUPLING ( - 060000).....	234	KIT, TURN SIGNAL (OPTIONAL).....	300
Hub, Hydraulic Pump Coupling (060001 - ).....	236	KIT, WORK LIGHT (OPTIONAL).....	302
Hub, Hydraulic Pump, Bracket and Coupling ( - 060000).....	234	Knob, Auxiliary Hydraulic Kit ( - 060000).....	288
Hub, Hydraulic Pump, Bracket and Coupling (060001 - ).....	236	Knob, Auxiliary Hydraulic Kit (060001 - 075000).....	292
Hub, Input Shaft.....	170	Knob, Auxiliary Hydraulic Lines (075001 - ).....	296
Hub, Reduction Shaft.....	172	KNOB, DIFFERENTIAL LOCK.....	206
HYDRAULIC AUXILIARY KIT ( - 060000).....	288	Knob, Differential Lock Linkage.....	206
Hydraulic Auxiliary Kit (060001 - 075000).....	292	Knob, Gear Shift, Main ( - 060000).....	192
Hydraulic Auxiliary Return, Front (075001 - ).....	296	Knob, Gear Shift, Main (060001 - ).....	194
Hydraulic Control Valve ( - 060000).....	242	Knob, Hydraulic Control Valve Lever.....	246
Hydraulic Control Valve (060001 - ).....	244	KNOB, HYDRAULIC LIFT LEVER.....	246
Hydraulic Control Valve Lever.....	246	KNOB, MAIN GEAR SHIFT ( - 060000).....	192
Hydraulic Cylinder, 4WD.....	204	Knob, Main Gear Shift (060001 - ).....	194
Hydraulic Lift Cylinder And Lines.....	248	KNOB, MFWD SHIFT LEVER ( - 080000).....	186
HYDRAULIC LIFT LEVER.....	246	Knob, MFWD Shift Lever (080001 - ).....	188
HYDRAULIC PUMP ( - 060000).....	234	Knob, PTO Lever (060001 - 075000).....	292
Hydraulic Pump (060001 - ).....	236	KNOB, PTO LEVER (AUX. HYDRAULIC KIT) ( - 060000).....	288
Hydraulic Pump, Bracket and Coupling ( - 060000).....	234	Knob, Shift Lever Linkage, 4WD ( - 080000).....	186
Hydraulic Pump, Bracket and Coupling (060001 - ).....	236	Knob, Shift Lever Linkage, 4WD (080001 - ).....	188
Hydraulic Pump, Steering ( - 060000).....	88	Knob, Throttle/Governor Control Kit.....	312
Hydraulic Pump, Steering (060001 - ).....	90	KNUCKLE, STEERING - 4WD.....	202
Hydraulic Quick Connect Kit.....	252	KNUCKLE, STEERING (2WD).....	196
Hydraulic Supply Lines and Filter ( - 060000).....	238		
Hydraulic Supply Oil Lines and Filter Head (060001 - ).....	240		
		L	
I		Label Kit.....	354
Idler, Idler Gear, Short Block.....	62	Label, Auxiliary Hydraulic Kit ( - 060000).....	288
IGNITION SWITCH ( - 060000).....	148	Label, Auxiliary Hydraulic Kit (060001 - 075000).....	292
Indicator, Air Restriction Indicator, Air Cleaner.....	110	Label, Auxiliary Hydraulic Lines (075001 - ).....	296
Indicator, Air Restriction Indicator, Air Cleaner (080001 - ).....	112	Label, Battery and Cables ( - 060000).....	146
INJECTION PUMP, FUEL.....	102	Label, Battery Vent.....	350
Injector Injection nozzle, Nozzle Holder, Fuel Nozzles and Lines.....	106	Label, Bed Liner.....	326
Injector Injection nozzle, Nozzle Kit, Fuel Nozzles and Lines.....	106	Label, Cargo Box ( - 045000).....	308
Injector Injection nozzle, Nozzle, Fuel Nozzles and Lines.....	106	Label, Cargo Box (045001 - ).....	310
Injector, Fuel.....	106	Label, Caution.....	350
Input Shaft.....	170	Label, Caution (060001 - ).....	280
INPUT SHAFT, TRANSAXLE.....	170	Label, Caution (080001 - ).....	348
Instrument Panel.....	126	Label, Caution, Hearing Protection.....	352
INTAKE MANIFOLD.....	64	Label, Cleaning.....	350
INTAKE VALVES.....	64	Label, Cleaning (060001 - ).....	280
INTAKE, OIL PUMP (ENGINE).....	70	Label, Cleaning, English.....	352
Isolator, Frame ( - 045000).....	254	Label, Cleaning, Spanish.....	352
Isolator, Frame (045001 - 050000).....	256	Label, Cleaning, Text Free.....	354
Isolator, Frame (050001 - ).....	258	Label, Danger Battery (080001 - ).....	348
Isolator, Heavy Duty Leaf Springs.....	327	Label, Danger Battery, Export.....	354
Isolator, Heavy Duty Rear Leaf Spring Kit.....	338	Label, Draw bar Load.....	350
Isolator, Radiator ( - 060000).....	82	Label, Draw Bar Load (080001 - ).....	348
Isolator, Radiator (060001 - 080000).....	84	Label, Draw Bar Load, French / Canadian.....	354
Isolator, Radiator (080001 - ).....	86	Label, Fenders and Panels.....	260
Isolator, Shock Absorber, Shock Absorbers and Leaf Springs.....	230	Label, Frame (050001 - ).....	258
Isolator, Shock Absorbers and Leaf Springs.....	230	Label, Fuel Inlet.....	352
		Label, Fuel Inlet, Ultra Low Sulfur.....	352
		Label, Gear Shift, Main ( - 060000).....	192
J		Label, Hearing Protection.....	350, 354
JOINT, CONSTANT VELOCITY FRONT AXLE - 4WD.....	202	Label, Hot Surfaces.....	350
		Label, Ignition.....	350, 354
K		Label, Label Kit.....	354
KEY, IGNITION ( - 060000).....	148	Label, Label Kit, Labels Kit (For Europe).....	346
Key, Input Shaft.....	170	Label, Labels.....	344, 352
Key, Reduction Shaft.....	172	Label, Labels (Not for Canada and USA) (080001 - ).....	348
Key, Relays and Switches (060001 - ).....	150	Label, Labels Kit (For Europe).....	346
Key, Shaft Key, Camshaft and Driving Gears.....	68	Label, Labels, French Canadian.....	350
Key, Shaft Key, Crankshaft and Flywheel.....	66	Label, Muffler (080001 - ).....	116
Key, Shaft Key, Fuel Injection Pump (1/2).....	102	Label, Operator's Manual, Export.....	354
Key, Shaft Key, Input Shaft.....	170	Label, Read Operator's Manual (080001 - ).....	348
Key, Shaft Key, Reduction Shaft.....	172	Label, Rear Panel Kit.....	330
Key, Switches and Relays ( - 060000).....	148	Label, Relays and Switches (060001 - ).....	150
KIT HOSE, BIO FUEL (OPTIONAL).....	118	Label, Roll Over Protection Structure (060001 - ).....	280
KIT, ARMREST (OPTIONAL).....	277	Label, Rollover Guard ( - 050000).....	278
KIT, AUXILIARY HYDRAULIC ( - 060000).....	288	Label, Rollover Guard (050001 - ), ( - 060000).....	279
Kit, Auxiliary Hydraulic (060001 - 075000).....	292	Label, ROPS (060001 - ).....	280
Kit, Brake Pad (060001 - ).....	214, 218	Label, Rops Cert, 2 post.....	350
KIT, CRANKSHAFT BEARING.....	60	Label, Service Chart (060001 - ).....	280
KIT, CYLINDER HEAD.....	64	Label, Spark Arrestor (060001 - ).....	280
KIT, CYLINDER HEAD GASKET.....	92	Label, Tailgate Release Kit.....	304
KIT, FUEL INJECTION PUMP SHIM ( - 080000).....	74	Label, Throttle/Governor Control Kit.....	312
KIT, TAILGATE RELEASE (OPTIONAL).....	304	Label, Warning (060001 - ).....	280
		Label, Warning Hot Surface, Export.....	354
		Label, Warning Spark Arrestor.....	352
		Label, Warning, Cylinder Lock.....	350
		Label, Warning, Master Cylinder.....	350

## Alphabetical Index - Continued

	Page		Page
Labels	344, 352		
Labels (Not for Canada and USA) (080001 - )	348		
Labels Kit (For Europe)	346		
Labels, French Canadian	350		
Labels, Service Chart	352		
Lamp, Trailer Outlet and Bracket (For Europe)	158		
Lamp, Turn Signal Kit	300		
Lamp, Turn Signal Lamp, Turn Signal Kit	300		
LAMPS, HEAD AND TAIL (EUROPEAN)	156		
LAMPS, HEAD AND TAIL (NORTH AMERICA/EXPORT)	154		
LAMPS, TURN SIGNAL (OPTIONAL)	300		
Latch, Gear Shift, Main ( - 060000)	192		
Latch, Gear Shift, Main (060001 - )	194		
Latch, Tailgate Release Kit	304		
Leaf Spring, Heavy Duty, Attachment	327		
LEAF SPRINGS, FRONT AND REAR	230		
LEAF SPRINGS, HEAVY DUTY (OPTIONAL)	327		
LEVER BRACKET, PTO	246		
LEVER, DIFFERENTIAL LOCK	206		
Lever, Differential Lock Linkage	206		
Lever, Front Brakes ( - 060000)	212		
Lever, Fuel Injection Pump (2/2)	104		
Lever, Governor	104		
Lever, Hydraulic Control Valve Lever	246		
LEVER, HYDRAULIC LIFT	246		
Lever, Lever Kit, Fuel Injection Pump (2/2)	104		
LEVER, MAIN GEAR SHIFT ( - 060000)	192		
Lever, Main Gear Shift (060001 - )	194		
Lever, MFWD Shift (080001 - )	188		
LEVER, MFWD SHIFTIER ( - 080000)	186		
Lever, Parking Brake ( - 060000)	224		
LEVER, PARKING BRAKE ( - 060000)	224		
Lever, Parking Brake (060001 - )	226		
LEVER, PTO (AUX. HYDRAULIC KIT) ( - 060000)	288		
Lever, PTO Clutch Kit, 4WD	184		
Lever, Rear Brakes ( - 060000)	216		
LEVER, SHIFT (MFWD) ( - 080000)	186		
Lever, Shift, MFWD (080001 - )	188		
Lever, Starter Motor	124		
Lever, Tailgate Release Kit	304		
Lever, Throttle Control and Cable	108		
LICENSE PLATE BRACKET AND LIGHT	158		
Lift Cylinder and Oil Lines	248		
LIFT CYLINDER SAFETY LOCK BAR ( - 060000)	250		
Lift Cylinder Safety Lock Bar (060001 - )	251		
LIFT LEVER, HYDRAULIC	246		
Light Bulb Floodlamp , Lamp, Trailer Outlet and Bracket (For Europe)	158		
Light Bulb Floodlamp , Lamp, Turn Signal Kit	300		
Light Bulb Floodlamp , Turn Signal Lamp, Turn Signal Kit	300		
Light Kit	334		
LIGHT KIT, WORK (OPTIONAL)	302		
LIGHT, LICENSE PLATE	158		
LINE, AUXILIARY HYDRAULIC ( - 060000)	288		
Line, Auxiliary Hydraulic (060001 - 075000)	292		
Line, Hydraulic Auxiliary Pressure, Front (075001 - )	296		
Line, Hydraulic Auxiliary Pressure, Rear (075001 - )	296		
Line, Hydraulic Auxiliary Return, Rear (075001 - )	296		
LINE, HYDRAULIC SUPPLY ( - 060000)	238		
Line, Hydraulic Supply (060001 - )	240		
Line, Lift Cylinder Hydraulic	248		
Line, Oil Cooler, Inlet (075001 - )	296		
Line, Oil Cooler, Outlet (075001 - )	296		
LINER, CARGO BED (OPTIONAL)	326		
Liner, Cargo Box, Attachment	326		
Lines And Fittings, Steering (4WD)	210		
Lines And Fittings, Steering, 2WD	208		
LINES AND HOSES, BRAKE	222		
Lines, Fuel	98		
Lines, Fuel Injection Pump	106		
LINK, HYDRAULIC CONTROL LEVER TO VALVE	246		
LINKAGE, DIFFERENTIAL LOCK	206		
LINKAGE, MFWD SHIFT LEVER ( - 080000)	186		
Linkage, MFWD Shift Lever (080001 - )	188		
LOCK BAR, SAFETY ( - 060000)	250		
Lock Bar, Safety (060001 - )	251		
LOCK, DIFFERENTIAL (2WD)	180		
LOCKOUT, FIFTH GEAR ( - 060000)	192		
Lockout, Fifth Gear (060001 - )	194		
LUG BOLTS AND NUTS, FRONT WHEEL	268		
LUG BOLTS AND NUTS, REAR WHEEL	276		
		M	
		Main (Rear) Frame (-045000) ( - 045000)	254
		MAIN (REAR) FRAME (045001-050000) (045001 - 050000)	256
		Main Frame, Rear (050001-) (050001 - )	258
		MANIFOLD, EXHAUST	114
		Manifold, Exhaust Manifold, Exhaust Manifold	114
		MANIFOLD, INTAKE	64
		Master Brake and Pedal	222
		MFWD DRIVE SHAFT	190
		MFWD PTO CLUTCH	184
		MFWD Shift (080001 - )	188
		MFWD SHIFTIER ( - 080000)	186
		Mirror Kit	319
		Mirror, Mirror Kit, Mirror Kit	319
		MIRROR, REAR VIEW (4-POST ROPS) (OPTIONAL)	318
		Mirror, Rear View Mirror, Mirror Kit	319
		Mirror, Rear View Mirror, Rear View Mirror, 4-Post Roll-Gard™	318
		Mobile Communication Equipment Kit	160
		MODULE, GLOW PLUG ( - 060000)	148
		MODULE, SEAT DELAY ( - 060000)	148
		Module, Switches and Relays ( - 060000)	148
		Motor, Starter Motor Reman, Starter Motor	124
		Motor, Starter Motor, Starter Motor	124
		MOTOR, STARTING	124
		Muffler ( - 080000)	115
		Muffler (080001 - )	116
		Muffler (080001-) (080001 - )	116
		Muffler, Muffler ( - 080000)	115
		Muffler, Muffler (080001 - )	116
		N	
		Needle, Needle Bearing, Input Shaft	170
		Needle, Needle Bearing, Reduction Shaft	172
		Needle, Needle Bearing, Starter Motor	124
		NEUTRAL START SWITCH ( - 060000)	148
		Nozzle, Fuel Nozzles and Lines	106
		Nozzle, Nozzle Holder, Fuel Nozzles and Lines	106
		Nozzle, Nozzle Kit, Fuel Nozzles and Lines	106
		Nozzles, Fuel Injection	106
		O	
		O-RING, CYLINDER HEAD GASKET KIT	92
		O-RING, FUEL INJECTION PUMP	102
		Oil Cooler (075001 - )	296
		OIL COOLER, HYDRAULIC ( - 060000)	288
		Oil Cooler, Hydraulic (060001 - 075000)	292
		OIL FILLER CAP, ENGINE	64
		Oil Filter	70
		Oil Filter (075001 - )	296
		OIL FILTER, ENGINE	70
		OIL FILTER, HYDRAULIC ( - 060000)	238
		Oil Filter, Hydraulic (060001 - )	240
		OIL PUMP AND FILTER, ENGINE	70
		OIL PUMP INTAKE, ENGINE	70
		OIL PUMP, ENGINE ( - 080000)	74
		OIL RESERVOIR, HYDRAULIC ( - 060000)	288
		Oil Reservoir, Hydraulic (060001 - 075000)	292
		OIL SEAL, FRONT CRANKSHAFT ( - 080000)	74
		OUTPUT SHAFT AND GEARS, 4WD PTO CLUTCH	184
		OVERFLOW BOTTLE, COOLANT ( - 060000)	82
		Overflow Bottle, Coolant (060001 - 080000)	84
		Overflow Bottle, Coolant (080001 - )	86
		P	
		PACKING, CYLINDER HEAD	92
		PADS, ARMREST	277
		Panel, Cargo Box ( - 045000)	308
		Panel, Cargo Box (045001 - )	310
		Panel, Fenders and Panels	260
		Panel, Floor (050001-) (050001 - )	258
		Panel, Frame ( - 045000)	254
		Panel, Frame (045001 - 050000)	256
		Panel, Frame (050001 - )	258
		Panel, Front	260
		PANEL, INSTRUMENT	126
		Panel, Instrument Panel	126



## Alphabetical Index - Continued

<i>Page</i>	<i>Page</i>		
Rod, Connecting Rod, Connecting Rod and Piston .....	67	Sensor Sender , Switch Kit, Switches and Relays ( - 060000).....	148
Rod, Connecting Rod, Short Block.....	62	Sensor Sender , Switch, Auxiliary Hydraulic Kit ( - 060000).....	288
ROD, GEAR SHIFT LINK ( - 060000).....	192	Sensor Sender , Switch, Flip Seat W/ Switch (080001 - ).....	264
Rod, Gear Shift Link (060001 - ).....	194	Sensor Sender , Switch, Headlight and Stop Light.....	154
Rod, Gear Shift, Main ( - 060000).....	192	Sensor Sender , Switch, Horn Kit.....	152
Rod, Gear Shift, Main (060001 - ).....	194	Sensor Sender , Switch, Hydraulic Control Valve Lever.....	246
Rod, Hydraulic Cylinder, 4WD.....	204	Sensor Sender , Switch, Light Kit.....	334
ROD, MFWD Shift (080001 - ).....	188	Sensor Sender , Switch, Oil Filter.....	70
ROD, MFWD SHIFTIER ( - 080000).....	186	Sensor Sender , Switch, Parking Brake (060001 - ).....	226
Rod, Push Rod, Camshaft and Driving Gears.....	68	Sensor Sender , Switch, Radiator (060001 - 080000).....	84
Rod, Push Rod, Master Brake and Pedal.....	222	Sensor Sender , Switch, Radiator (080001 - ).....	86
Rod, Shift Lever Linkage, 4WD (080001 - ).....	188	Sensor Sender , Switch, Relays and Switches (060001 - ).....	150
Rod, Shifter Rod, Gear Shift, Main ( - 060000).....	192	Sensor Sender , Switch, Seat.....	262
Rod, Shifter Rod, Gear Shift, Main (060001 - ).....	194	Sensor Sender , Switch, Shift Lever Linkage, 4WD ( - 080000).....	186
Rod, Shifter Rod, Shift Lever Linkage, 4WD ( - 080000).....	186	Sensor Sender , Switch, Shift Lever Linkage, 4WD (080001 - ).....	188
Rod, Shifter Rod, Shift Lever Linkage, 4WD (080001 - ).....	188	Sensor Sender , Switch, Starter Motor.....	124
Rod, Steering Wheel, Valve and Cylinder, 4WD.....	210	Sensor Sender , Switch, Switches and Relays ( - 060000).....	148
Rod, Throttle/Governor Control Kit.....	312	Sensor Sender , Switch, Transaxle.....	165
Rod, Tie Rod End, Front Axle, 2WD.....	196	Sensor Sender , Switch, Turn Signal Kit.....	300
Rod, Tie Rod End, Hydraulic Cylinder, 4WD.....	204	Sensor Sender , Switch, Work Light Kit.....	302
Rod, Tie Rod End, Steering Wheel, Valve and Cylinder, 2WD.....	208	Sensor Sender , Temperature Switch, Relays and Switches (060001 - ).....	150
Rod, Tie Rod End, Steering Wheel, Valve and Cylinder, 4WD.....	210	SENSOR, HYDRAULIC OIL TEMPERATURE ( - 060000).....	288
Roll Over Protection Structure (060001 - ).....	280	Sensor, Hydraulic Oil Temperature (060001 - 075000).....	292
ROLL-GARD (NORTH AMERICA/EXPORT) (-050000) ( - 050000).....	278	Sensor, Sensor Wiring Harness, Radiator (060001 - 080000).....	84
ROLL-GARD (NORTH AMERICA/EXPORT) (050001-) (050001 - ), ( - 060000).....	279	Sensor, Speed Sensor, Relays and Switches (060001 - ).....	150
Roll-Gard Rollover Protection System, 4-Post (060001 - ).....	324	Sensor, Speed Sensor, Switches and Relays ( - 060000).....	148
ROLL-GARD ROLLOVER PROTECTION SYSTEM, 4-POST (OPTIONAL) ( - 060000).....	320	Sensor, Speed Sensor, Transaxle.....	165
ROLL-OVER PROTECTION SYSTEM (ROPS) (NORTH AMERICA/EXPORT) (-050000) ( - 050000).....	278	SENSOR, SPEEDOMETER ( - 060000).....	148
ROLL-OVER PROTECTION SYSTEM (ROPS) (NORTH AMERICA/EXPORT) (050001-) (050001 - ), ( - 060000).....	279	Sensor, Water Pump.....	72
Roller, Fuel Injection Pump (1/2).....	102	Sensor, Water Pump and Thermostat.....	72
Rollover Guard ( - 050000).....	278	Separator, Hose B20, Optional.....	118
Rollover Guard (050001 - ), ( - 060000).....	279	SHACKLES.....	230
ROPS, Attachment, 4-Post ROPS Conversion Kit.....	322	SHAFT AND GEARS, 4WD PTO CLUTCH.....	184
ROPS, Four-Post (060001 - ).....	324	Shaft, Axle Housing.....	182
ROPS, FOUR-POST (OPTIONAL) ( - 060000).....	320	Shaft, Camshaft and Driving Gears.....	68
ROPS, Frame (045001 - 050000).....	256	Shaft, Clutch Kit and Clutch Shaft.....	174
ROPS, Roll Over Protection Structure (060001 - ).....	280	Shaft, Cylinder Block.....	60
ROPS, Rollover Guard ( - 050000).....	278	Shaft, Differential, Front Axle, 4WD.....	200
ROPS, Rollover Guard (050001 - ), ( - 060000).....	279	Shaft, Fuel Injection Pump (2/2).....	104
Rotor, Alternator.....	122	Shaft, Hydraulic Control Valve Lever.....	246
Rotor, Gear Case ( - 080000).....	74	SHAFT, HYDRAULIC LIFT LEVER.....	246
Rotor, Gear Case (080001 - ).....	76	Shaft, Input Shaft.....	170
ROTOR, OIL PUMP (ENGINE).....	70	Shaft, Pinion Shaft, Transaxle, Differential.....	180
Rotor, Rotor Kit, Alternator and Voltage Regulator.....	122	Shaft, PTO Clutch Kit, 4WD.....	184
		Shaft, Reduction Shaft.....	172
S		SHAFT, ROCKER ARM.....	64
Safety Lock Bar ( - 060000).....	250	Shaft, Rocker Arm Shaft, Cylinder Head, Valves and Rocker Arms.....	64
Safety Lock Bar (060001 - ).....	251	Shaft, Shaft Key, Camshaft and Driving Gears.....	68
SEAL, CYLINDER HEAD.....	92	Shaft, Shaft Key, Crankshaft and Flywheel.....	66
SEAL, FRONT CRANKSHAFT ( - 080000).....	74	Shaft, Shaft Key, Fuel Injection Pump (1/2).....	102
Seat.....	262	Shaft, Shaft Key, Input Shaft.....	170
Seat Assembly (080001 - ).....	264, 266	Shaft, Shaft Key, Reduction Shaft.....	172
SEAT DELAY MODULE ( - 060000).....	148	Shaft, Shaft Kit, Clutch Kit and Clutch Shaft.....	174
Seat Driver.....	282	Shaft, Shaft Kit, Starter Motor.....	124
Seat Passenger.....	284	Shaft, Tailgate Release Kit.....	304
Seat, Seat.....	262	Shaft, Transaxle Gear Shift Forks and Shafts.....	168
Seat, Seat Assembly, Flip Seat (080001 - ).....	266	Shaft, Transaxle, Differential.....	180
Seat, Seat Assembly, Flip Seat W/ Switch (080001 - ).....	264	SHAFTS, REAR AXLE.....	182
Seat, Seat Assembly, Seat Driver.....	282	SHAFTS, TRANSAXLE SHIFT.....	168
Seat, Seat Belt Tightener, Seat.....	262	SHIFT ARM, PTO CLUTCH.....	184
Seat, Seat Belt, Flip Seat (080001 - ).....	266	SHIFT FORKS, TRANSAXLE.....	168
Seat, Seat Belt, Flip Seat W/ Switch (080001 - ).....	264	Shift Lever Linkage, 4WD ( - 080000).....	186
Seat, Seat Belt, Seat Driver.....	282	Shift Lever Linkage, 4WD (080001 - ).....	188
Seat, Seat Belt, Seat Passenger.....	284	Shifter, Fuel Injection Pump (2/2).....	104
Seat, Seat Driver.....	282	Shifter, Input Shaft.....	170
Seat, Seat Passenger.....	284	Shifter, Main Gear (060001 - ).....	194
Seat, Valve Seat Insert, Cylinder Head, Valves and Rocker Arms.....	64	Shifter, PTO Clutch Kit, 4WD.....	184
SELECTIVE CONTROL VALVE ( - 060000).....	242	Shifter, Reduction Shaft.....	172
Selective Control Valve (060001 - ).....	244	Shifter, Shift Lever Linkage, 4WD ( - 080000).....	186
Sender, Sensor Wiring Harness, Radiator (060001 - 080000).....	84	Shifter, Shift Lever Linkage, 4WD (080001 - ).....	188
Sender, Sensor, Water Pump and Thermostat.....	72	Shifter, Shifter Rod, Gear Shift, Main ( - 060000).....	192
Sender, Speed Sensor, Relays and Switches (060001 - ).....	150	Shifter, Shifter Rod, Gear Shift, Main (060001 - ).....	194
Sender, Speed Sensor, Switches and Relays ( - 060000).....	148	Shifter, Shifter Rod, Shift Lever Linkage, 4WD ( - 080000).....	186
Sender, Speed Sensor, Transaxle.....	165	Shifter, Shifter Rod, Shift Lever Linkage, 4WD (080001 - ).....	188
Sending Unit, Fuel.....	98	Shifter, Transaxle, Differential.....	180
Sensor Sender , Rotary Switch, Relays and Switches (060001 - ).....	150	SHIFTIER, MAIN GEAR ( - 060000).....	192
Sensor Sender , Rotary Switch, Switches and Relays ( - 060000).....	148	SHIM, FUEL INJECTION PUMP.....	102
		SHIM, FUEL INJECTION PUMP ( - 080000).....	74
		SHIMS AND SEALS, REAR AXLES.....	182
		Shock Absorbers and Leaf Springs.....	230
		Shoe, Brake Shoe, Front Brakes ( - 060000).....	212
		Shoe, Brake Shoe, Rear Brakes ( - 060000).....	216

## Alphabetical Index - Continued

<i>Page</i>	<i>Page</i>		
Shoe, Shoe Kit, Front Brakes ( - 060000) .....	212	SWITCH, HEADLIGHT (NORTH AMERICA/EXPORT) .....	154
Shoe, Shoe Kit, Rear Brakes ( - 060000) .....	216	Switch, Headlight and Stop Light .....	154
SHOES, FRONT BRAKE ( - 060000) .....	212	Switch, Horn Kit .....	152
SHOES, REAR BRAKE ( - 060000) .....	216	Switch, Hydraulic Control Valve Lever .....	246
Short Block .....	62	SWITCH, IGNITION ( - 060000) .....	148
Shroud, Radiator ( - 060000) .....	82	Switch, Light Kit .....	334
Shroud, Radiator (060001 - 080000) .....	84	SWITCH, NEUTRAL START ( - 060000) .....	148
Shroud, Radiator (080001 - ) .....	86	Switch, Oil Filter .....	70
Shroud, Radiator Fan (080001 - ) .....	86	SWITCH, OIL PRESSURE .....	70
Sleeve, 4-Post Rollover Protective Structure Conversion Kit, Green .....	336	SWITCH, PARK BRAKE ( - 060000) .....	148
Sleeve, Clutch Kit and Clutch Shaft .....	174	Switch, Parking Brake (060001 - ) .....	226
Sleeve, Four-Post Roll-Guard (060001 - ) .....	324	SWITCH, PTO ( - 060000) .....	148
Sleeve, Hydraulic Pump, Bracket and Coupling (060001 - ) .....	236	Switch, Radiator (060001 - 080000) .....	84
Sleeve, Mirror Kit .....	319	Switch, Radiator (080001 - ) .....	86
Sleeve, Sleeve Kit, Clutch Kit .....	176	Switch, Relays and Switches (060001 - ) .....	150
Sleeve, Sleeve Kit, Clutch Kit and Clutch Shaft .....	174	Switch, Rotary Switch, Relays and Switches (060001 - ) .....	150
Sleeve, Transaxle Case .....	166	Switch, Rotary Switch, Switches and Relays ( - 060000) .....	148
Solenoid, Fuel Cut .....	104	Switch, Seat .....	262
Solenoid, Fuel Injection Pump (2/2) .....	104	SWITCH, SEAT (NORTH AMERICA/EXPORT) .....	262
SPEEDOMETER SENSOR ( - 060000) .....	148	Switch, Seat Cushion (080001 - ) .....	264
Splined Coupling, Sleeve (060001 - ) .....	236	Switch, Shift Lever Linkage, 4WD ( - 080000) .....	186
SPRING, VALVE .....	64	Switch, Shift Lever Linkage, 4WD (080001 - ) .....	188
SPRINGS, HEAVY DUTY LEAF (OPTIONAL) .....	327	Switch, Starter Motor .....	124
SPRINGS, LEAF (FRONT AND REAR) .....	230	Switch, Switch Kit, Switches and Relays ( - 060000) .....	148
Starter Motor .....	124	Switch, Switches and Relays ( - 060000) .....	148
Starter, Starter Motor Reman, Starter Motor .....	124	SWITCH, TEMPERATURE DUAL OUTPUT ( - 060000) .....	148
Starter, Starter Motor, Starter Motor .....	124	Switch, Temperature Switch, Relays and Switches (060001 - ) .....	150
STEERING BALL JOINT - 4WD .....	202	Switch, Transaxle .....	165
STEERING HYDRAULIC PUMP ( - 060000) .....	88	Switch, Turn Signal Kit .....	300
Steering Hydraulic Pump (060001 - ) .....	90	SWITCH, WORK LIGHT (OPTIONAL) .....	302
STEERING KNUCKLE - 4WD .....	202	Switch, Work Light Kit .....	302
STEERING KNUCKLE (2WD) .....	196	Switches and Relays ( - 060000) .....	148
Steering Wheel, Valve & Cylinder (4WD) .....	210	SWITCHES, TURN SIGNAL/HAZARD (OPTIONAL) .....	300
Steering Wheel, Valve and Cylinder, 2WD .....	208		
Steering Wheel, Valve and Cylinder, 4WD .....	210	T	
Steering, Steering Control Unit, Steering Wheel, Valve and Cylinder, 2WD .....	208	TAIL LAMPS (EUROPEAN) .....	156
Steering, Steering Control Unit, Steering Wheel, Valve and Cylinder, 4WD .....	210	TAIL LAMPS (NORTH AMERICA/EXPORT) .....	154
Steering, Steering Wheel, Steering Wheel, Valve and Cylinder, 2WD .....	208	Tailgate Release Kit .....	304
Steering, Steering Wheel, Steering Wheel, Valve and Cylinder, 4WD .....	210	TAILGATE RELEASE KIT (OPTIONAL) .....	304
Step Kit (080001 - ) .....	333	Tailgate Release, Attachment .....	304
Step, Step Kit (080001 - ) .....	333	TAILPIPE ( - 080000) .....	115
Step, Step Kit, Step Kit (080001 - ) .....	333	Tank, De-Aeration ( - 060000) .....	80
Stop, Frame and Bracket .....	119	Tank, De-Aeration Tank ( - 060000) .....	80
Stop, LH Frame .....	119	Tank, Expansion (080001 - ) .....	86
Stop, RH Frame .....	119	TANK, EXPANSION (COOLANT) ( - 060000) .....	82
Stop, Stop Light, Head Lamp and Tail Lamp (For Europe) .....	156	Tank, Expansion, Coolant (060001 - 080000) .....	84
Stop, Stop Light, Headlight and Stop Light .....	154	Tank, Fuel .....	98
Stop, Stop Light, Turn Signal Kit .....	300	Tank, Fuel Tank, Fuel Tank and Lines .....	98
Strainer, Auxiliary Hydraulic Kit ( - 060000) .....	288	Tank, Radiator ( - 060000) .....	82
STRAINER, HYDRAULIC RESERVOIR ( - 060000) .....	288	Tank, Radiator (060001 - 080000) .....	84
Strainer, Hydraulic Reservoir (060001 - 075000) .....	292	Tank, Radiator (080001 - ) .....	86
STRAINER, OIL PUMP (ENGINE) .....	70	Tank, Water Pump .....	72
Strainer, Transaxle Case .....	166	Tank, Water Pump and Thermostat .....	72
Strainer, Transaxle Oil .....	166	TEMPERATURE DUAL OUTPUT SWITCH ( - 060000) .....	148
STRAP, AIR CLEANER MOUNTING .....	110	TEMPERATURE SWITCH, HYDRAULIC OIL ( - 060000) .....	288
Strap, Auxiliary Hydraulic Kit ( - 060000) .....	288	Temperature Switch, Hydraulic Oil (060001 - 075000) .....	292
Strap, Battery and Cables ( - 060000) .....	146	Thermostat and Water Pump .....	72
Strap, Battery and Cables (060001 - ) .....	147	Thermostat, Water Pump and Thermostat .....	72
Strap, Hose B20, Optional .....	118	THROTTLE CABLE .....	108
Strap, Relays and Switches (060001 - ) .....	150	Throttle Control and Cable .....	108
Strap, Switches and Relays ( - 060000) .....	148	Throttle/Governor Control Kit .....	312
Sub-Frame, Engine (-045000) ( - 045000) .....	254	THROTTLE/GOVERNOR CONTROL KIT (OPTIONAL) .....	312
SUB-FRAME, ENGINE (045001-050000) (045001 - 050000) .....	256	Tie Rods, Steering (4WD) .....	210
Sub-Frame, Engine (050001-) (050001 - ) .....	258	Tie Rods, Steering, 2WD .....	208
SUPPLY LINES, HYDRAULIC ( - 060000) .....	238	Tire Valve .....	270, 272, 274
Supply Lines, Hydraulic (060001 - ) .....	240	TIRES AND WHEELS, FRONT .....	268
SUPPORT, HYDRAULIC RESERVOIR ( - 060000) .....	288	TIRES AND WHEELS, REAR .....	276
Support, Hydraulic Reservoir (060001 - 075000) .....	292	Trailer Outlet and Bracket (For Europe) .....	158
SUPPORT, SAFETY ( - 060000) .....	250	TRAILER WIRING HARNESS .....	158
Support, Safety (060001 - ) .....	251	Transaxle .....	165
SUPPORT, UPPER RADIATOR HOSE ( - 060000) .....	82	Transaxle Case .....	166
Support, Upper Radiator Hose (060001 - 080000) .....	84	Transaxle Case, 2WD, Complete .....	165
Support, Upper Radiator Hose (080001 - ) .....	86	Transaxle Case, 4WD, Complete .....	165
Support, Weight .....	104	Transaxle Gear Shift Forks and Shafts .....	168
Switch, Auxiliary Hydraulic Kit ( - 060000) .....	288	TRANSAXLE INPUT AND COUNTER SHAFTS .....	170
SWITCH, BRAKE ( - 060000) .....	148	TRANSAXLE SHIFT FORKS .....	168
Switch, Flip Seat W/ Switch (080001 - ) .....	264	Transaxle, Differential .....	180
SWITCH, HEADLIGHT (EUROPEAN) .....	156	Transaxle, Transmission Case, Transaxle Case .....	166
		Transmission, Transmission Case, Transaxle Case .....	166
		Tube, Auxiliary Hydraulic Kit ( - 060000) .....	288
		Tube, Chassis Wiring Harness, Center ( - 060000) .....	132



## Alphabetical Index - Continued

Page	Page		
Tube, Chassis Wiring Harness, Center (060001 - 120000).....	133	Wide Fairway Rear Tires Kit.....	274
Tube, Dipstick Tube, Oil Filter.....	70	Wide Fairway Rear Tires Kit, Attachment.....	273
Tube, Frame ( - 045000).....	254	Wide Smooth Front Tires Kit.....	269, 270
Tube, Frame (045001 - 050000).....	256	Wide Smooth Front Tires, Attachment.....	269
Tube, Frame (050001 - ).....	258	Wide Smooth Rear Tires Kit.....	272
Tube, Hydraulic Supply Lines and Filter ( - 060000).....	238	Wide Smooth Rear Tires Kit, Attachment.....	271
Tube, Oil Tube, Hydraulic Supply Oil Lines and Filter Head (060001 - ).....	240	Window, Window Kit, Rear Panel Kit.....	330
Tube, Steering Wheel, Valve and Cylinder, 2WD.....	208	Wiring Harness, Center (060001 - 120000).....	133
Tube, Steering Wheel, Valve and Cylinder, 4WD.....	210	Wiring Harness, Front (060001 - 120000).....	130
Tube, Structural Tube, 4-Post Rollover Protective Structure Conversion Kit, Green.....	336	WIRING HARNESS, GLOW PLUG.....	64
Tube, Structural Tube, Four-Post Roll-Guard (060001 - ).....	324	WIRING HARNESS, MAIN (FRONT) ( - 060000).....	128
Tube, Structural Tube, Gear Shift, Main ( - 060000).....	192	Wiring Harness, Rear (060001 - 120000).....	136
Tube, Structural Tube, Gear Shift, Main (060001 - ).....	194	WIRING HARNESS, TRAILER.....	158
Tube, Tube Nut, Auxiliary Hydraulic Lines (075001 - ).....	296	WIRING HARNESS, TURN SIGNAL KIT (OPTIONAL).....	300
Turn Signal Kit.....	300	Work Light Kit.....	302
TURN SIGNAL KIT (OPTIONAL).....	300	WORK LIGHT KIT (OPTIONAL).....	302
Turn Signal Light W/ Harness, Attachment.....	298	Work Light, Attachment.....	302
U			
U-BOLTS, REAR SPRINGS.....	230		
Universal joint, Yoke Kit, Starter Motor.....	124		
Universal joint, Yoke, Clutch Kit and Clutch Shaft.....	174		
Universal joint, Yoke, Gear Shift, Main ( - 060000).....	192		
Universal joint, Yoke, Gear Shift, Main (060001 - ).....	194		
Universal joint, Yoke, Tailgate Release Kit.....	304		
Universal joint, Yoke, Throttle/Governor Control Kit.....	312		
UP STOP, FRAME (045001-050000) (045001 - 050000).....	256		
Up-Stop, Frame (050001-)(050001 - ).....	258		
Upstop, Frame (-045000) ( - 045000).....	254		
V			
V-Belt, Water Pump.....	72		
V-Belt, Water Pump and Thermostat.....	72		
Valve Assembly, Fuel Lines.....	106		
VALVE COVER.....	64		
VALVE SEAT, FUEL INJECTION PUMP.....	102		
VALVE, HYDRAULIC CONTROL ( - 060000).....	242		
Valve, Hydraulic Control (060001 - ).....	244		
VALVE, INTAKE AND EXHAUST.....	64		
VALVE, OIL FILTER (ENGINE).....	70		
Valve, Steering , 2WD.....	208		
Valve, Steering (4WD).....	210		
Voltage Regulator.....	122		
W			
Water Pump and Thermostat.....	72		
Weight, Fuel Injection Pump (2/2).....	104		
Weight, Governor.....	104		
Weight, Weight Kit, Fuel Injection Pump (2/2).....	104		
Wheel.....	272, 274		
WHEEL CYLINDER, FRONT ( - 060000).....	212		
WHEEL CYLINDER, REAR ( - 060000).....	216		
WHEEL HUB, FRONT - 4WD.....	202		
WHEEL HUB, FRONT (2WD).....	196		
Wheel, Front Wheels And Tires.....	268		
Wheel, Rim, Rear Wheel Kit.....	275		
Wheel, Rim, Wheels and Tires, Rear.....	276		
Wheel, Steering , 2WD.....	208		
Wheel, Steering (4WD).....	210		
Wheel, Steering Wheel, Steering Wheel, Valve and Cylinder, 2WD.....	208		
Wheel, Steering Wheel, Steering Wheel, Valve and Cylinder, 4WD.....	210		
Wheel, Tire And Wheel Assembly, Front Wheels And Tires.....	268		
Wheel, Tire And Wheel Assembly, Wheels and Tires, Rear.....	276		
Wheel, Wheel Bolt, Brakes, Front (060001 - ).....	214		
Wheel, Wheel Bolt, Brakes, Rear (060001 - ).....	218		
Wheel, Wheel Bolt, Front Axle, 2WD.....	196		
Wheel, Wheel Bolt, Front Brakes ( - 060000).....	212		
Wheel, Wheel Bolt, Rear Brakes ( - 060000).....	216		
Wheel, Wheels and Tires, Rear.....	276		
Wheel, Wide Fairway Rear Tires Kit.....	274		
Wheel, Wide Smooth Front Tires Kit.....	269, 270		
Wheel, Wide Smooth Rear Tires Kit.....	272		
WHEELS AND TIRES, FRONT.....	268		
Wheels and Tires, Rear.....	276		
WHEELS AND TIRES, REAR.....	276		

## Y

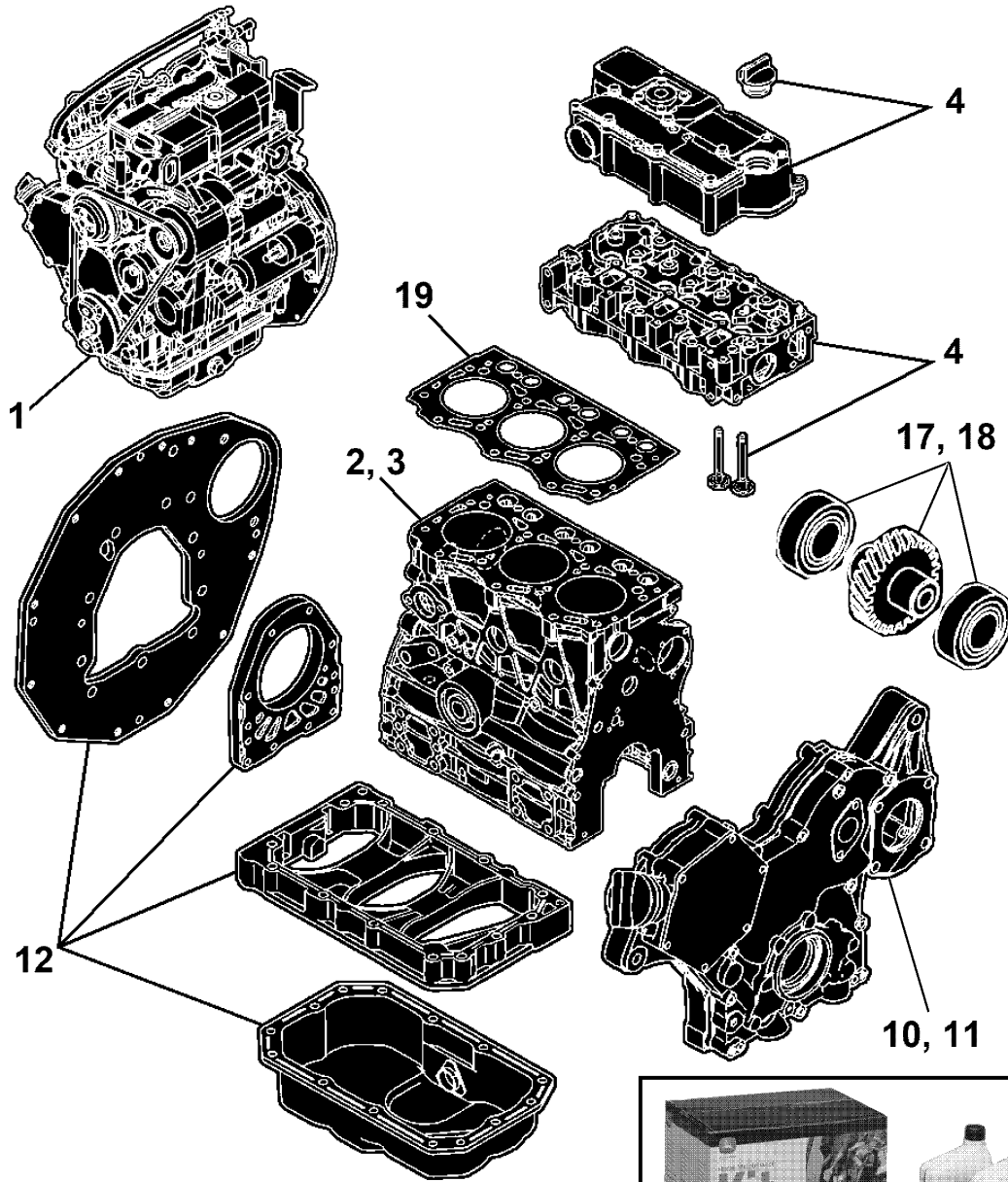
Yoke, Clutch Kit and Clutch Shaft.....	174
Yoke, Gear Shift, Main ( - 060000).....	192
Yoke, Gear Shift, Main (060001 - ).....	194
Yoke, Tailgate Release Kit.....	304
Yoke, Throttle/Governor Control Kit.....	312
Yoke, Yoke Kit, Starter Motor.....	124



Sectional Pictorial Index  
 Index d'illustrations par sections.  
 Gruppenbildindex  
 Indice illustrato delle sezioni  
 Índice de ilustraciones por secciones  
 Avsnittsbildregister

PU43353 A.1

1-	58
2-	60
3-	62
4-	64
10-	74
11-	76
12-	78
17-	88
18-	90
19-	92
20-	94
20-	95

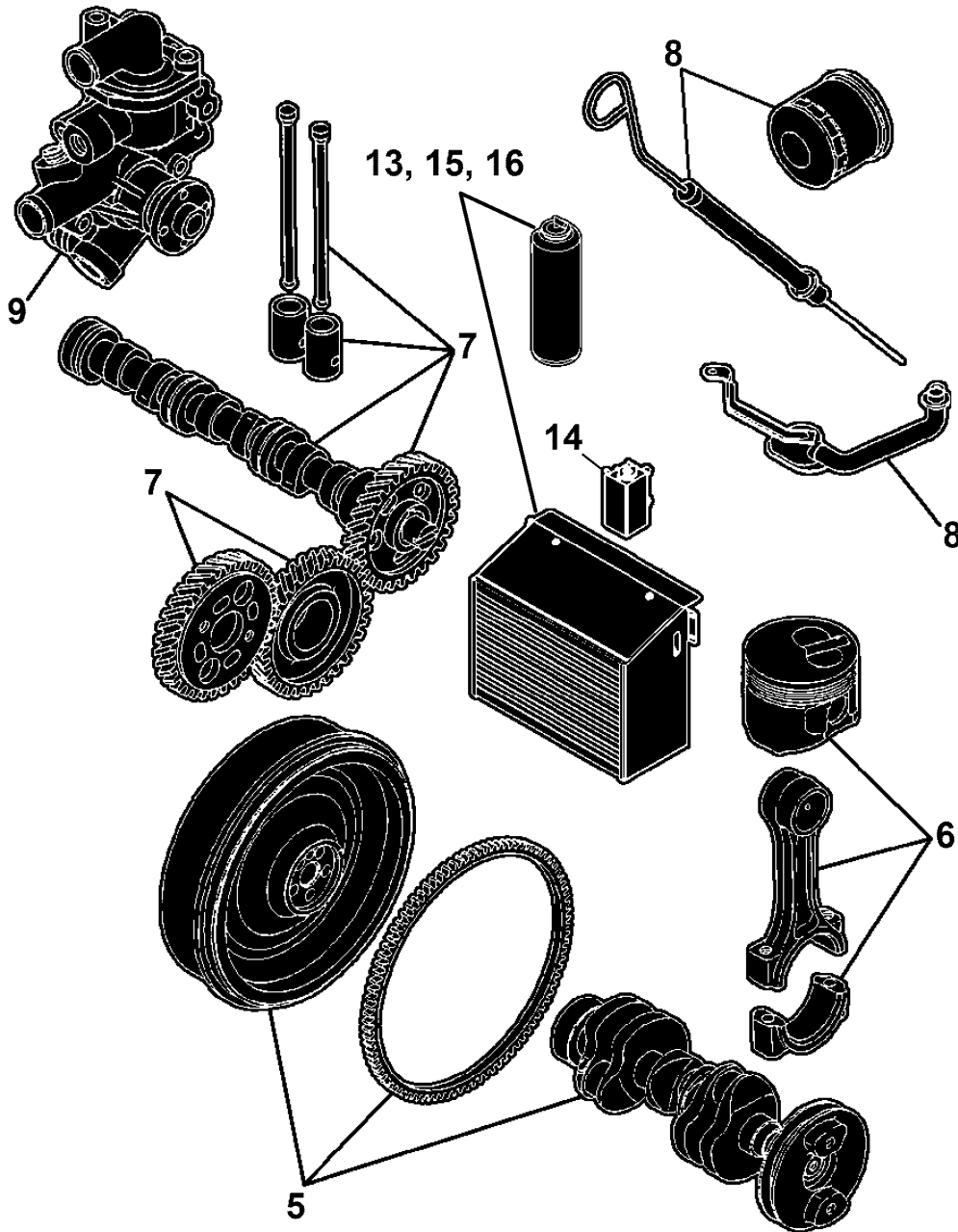


PU43353

Sectional Pictorial Index  
 Index d'illustrations par sections.  
 Gruppenbildindex  
 Indice illustrato delle sezioni  
 Índice de ilustraciones por secciones  
 Avsnittsbildregister

PU43354 A.1

5-	66
6-	67
7-	68
8-	70
9-	72
13-	82
14-	80
15-	84
16-	86

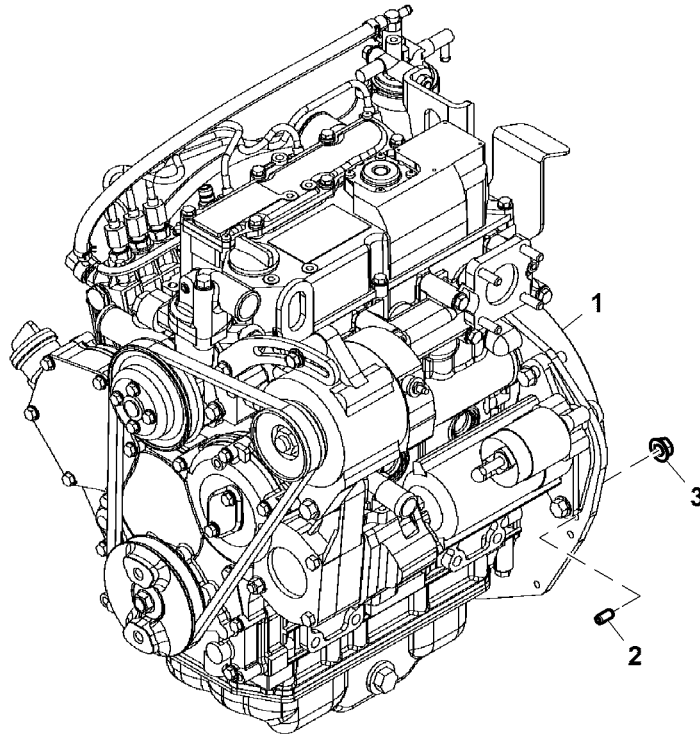


PU43354



Engine  
Engine  
Engine  
Engine  
Engine  
Engine

PU28943 A.1

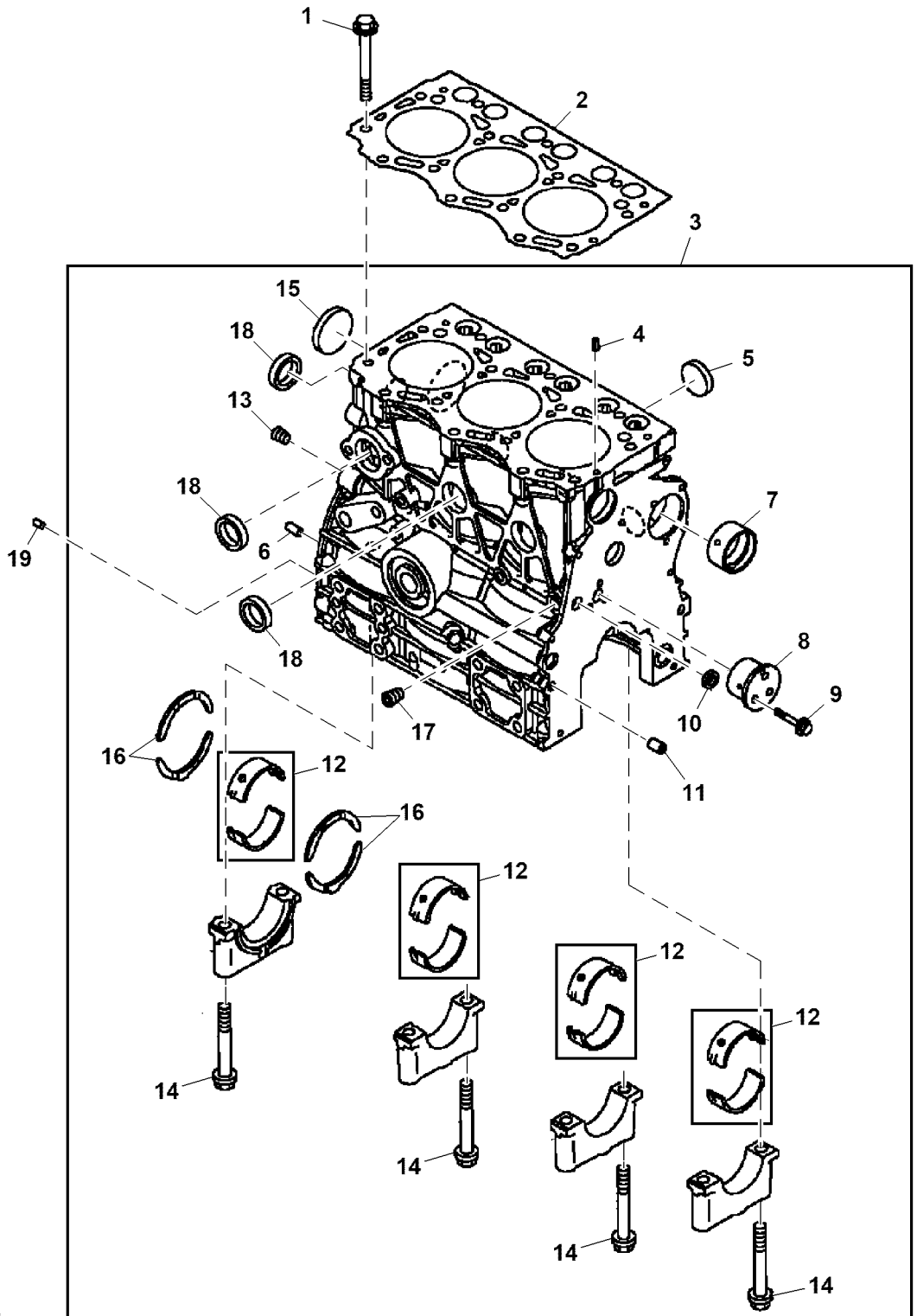


PU28943

Key	Part No.	Part Name	Qty.	Serial No.	Remarks
1	AM133451	Diesel Engine	1		MARKED 3TNV76-XJUV; ORDER MIA11975
	MIA11975	Diesel Engine	1		MARKED 3TNV76-XJUV; ORDER MIA882684
	MIA11976	Diesel Engine	1		MARKED 3TNV76-XJUV; ORDER MIA882684
	MIA882684	Short Block Assembly	1	-075000	Components on Separate Page, Not Illustrated
	MIA13217	Diesel Engine	1	075001-	MARKED 3TNV80F-NCJUV; ORDER AUC13982; SUB FOR MIA12139
	AUC13982	Diesel Engine	1		MARKED 3TNV80F-NCJUV; ORDER AUC16093
	AUC16093	Diesel Engine	1		MARKED 3TNV80F-NCJUV; ORDER AUC17022
	AUC17022	Diesel Engine	1		MARKED 3TNV80F-NXCJUV
2	34M7160	Spring Pin	2		8 X 16 mm
3	14M7296	Flange Nut	2		M10

Cylinder Block  
Cylinder Block  
Cylinder Block  
Cylinder Block  
Cylinder Block  
Cylinder Block

PU43355 A.1



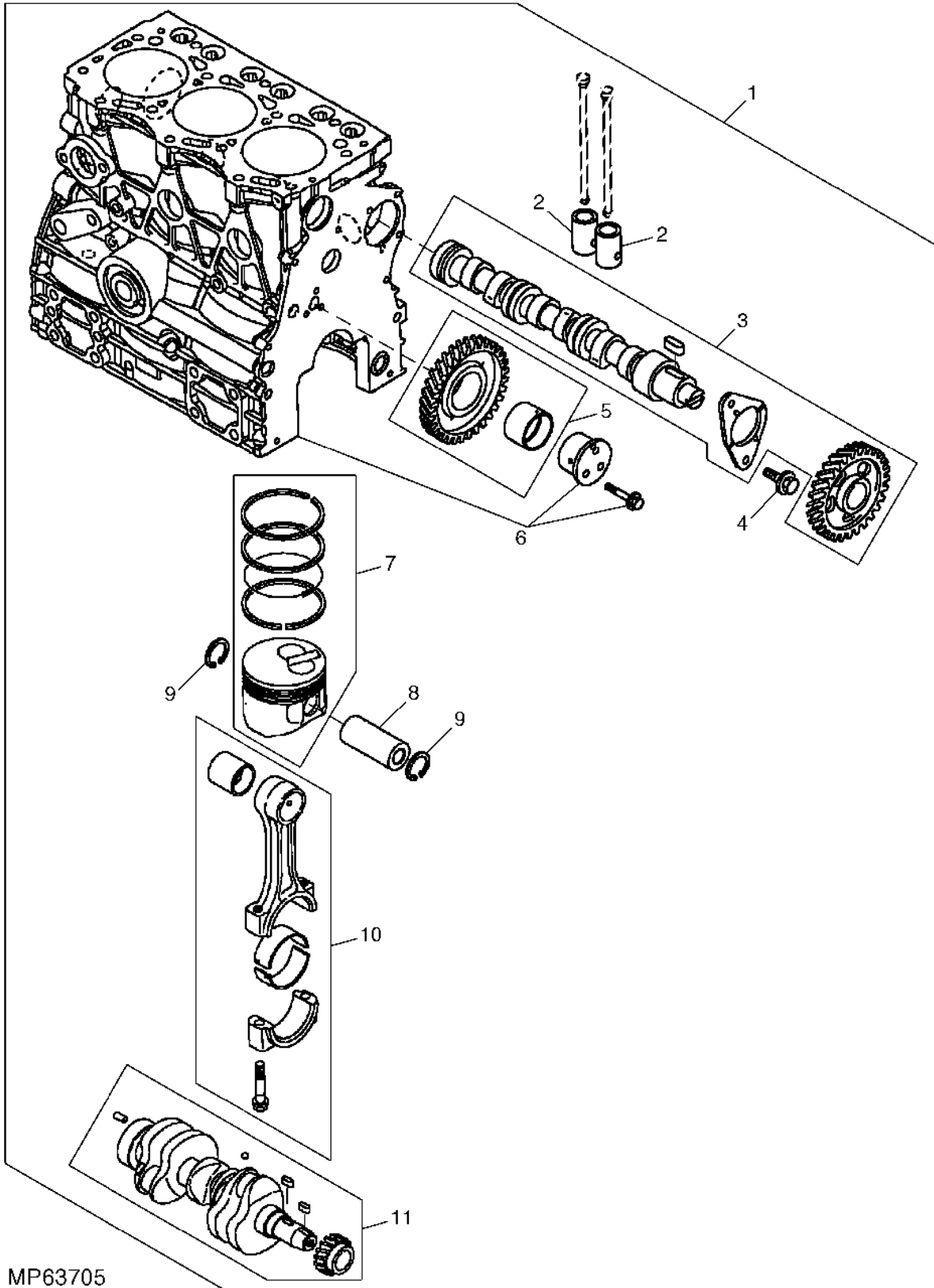
PU43355



Key	Part No.	Part Name	Qty.	Serial No.	Remarks
1	M800970	Bolt	14		
2	M811815	Gasket	1		ORDER MIU802007; USE WITH AM133451 OR MIA11975 OR MIA11976, Cylinder Head
	MIU802007	Gasket	1		USE WITH AM133451 OR MIA11975 OR MIA11976, Cylinder Head
	MIA882331	Gasket	1		USE WITH MIA12139 OR MIA13217 OR AUC13982 OR AUC16093, Cylinder Head
3	MIA880096	Cylinder Block	1		USE WITH AM133451 OR MIA11975 OR MIA11976
	MIA883232	Cylinder Block	1		USE WITH MIA12139 OR MIA13217 OR AUC13982 OR AUC16093
4	CH18079	Spring Pin	2		USE WITH MIA880096
5	M811807	Plug	3		
6	M802255	Pin	2		USE WITH MIA880096
7	MIU800572	Bushing	1		
8	M811882	Shaft	1		USE WITH MIA880096
9	M87871	Bolt	3		USE WITH MIA880096
10	M87801	Plug	1		
11	M800006	Dowel Pin	2		USE WITH MIA880096
12	MIA880551	Bearing	4		STD
	AM882418	Bearing	4		US = 0.25 mm
13	CH10335	Plug	1		
14	M87879	Bolt	8		
15	M809593	Plug	1		
16	AM882419	Thrust Bearing	2		STD
	MIA880557	Thrust Bearing	2		US = 0.25 mm
17	CH10314	Plug	1		
18	M811805	Plug	4		
19	M802254	Pin	2		

Short Block  
Short Block  
Short Block  
Short Block  
Short Block  
Short Block

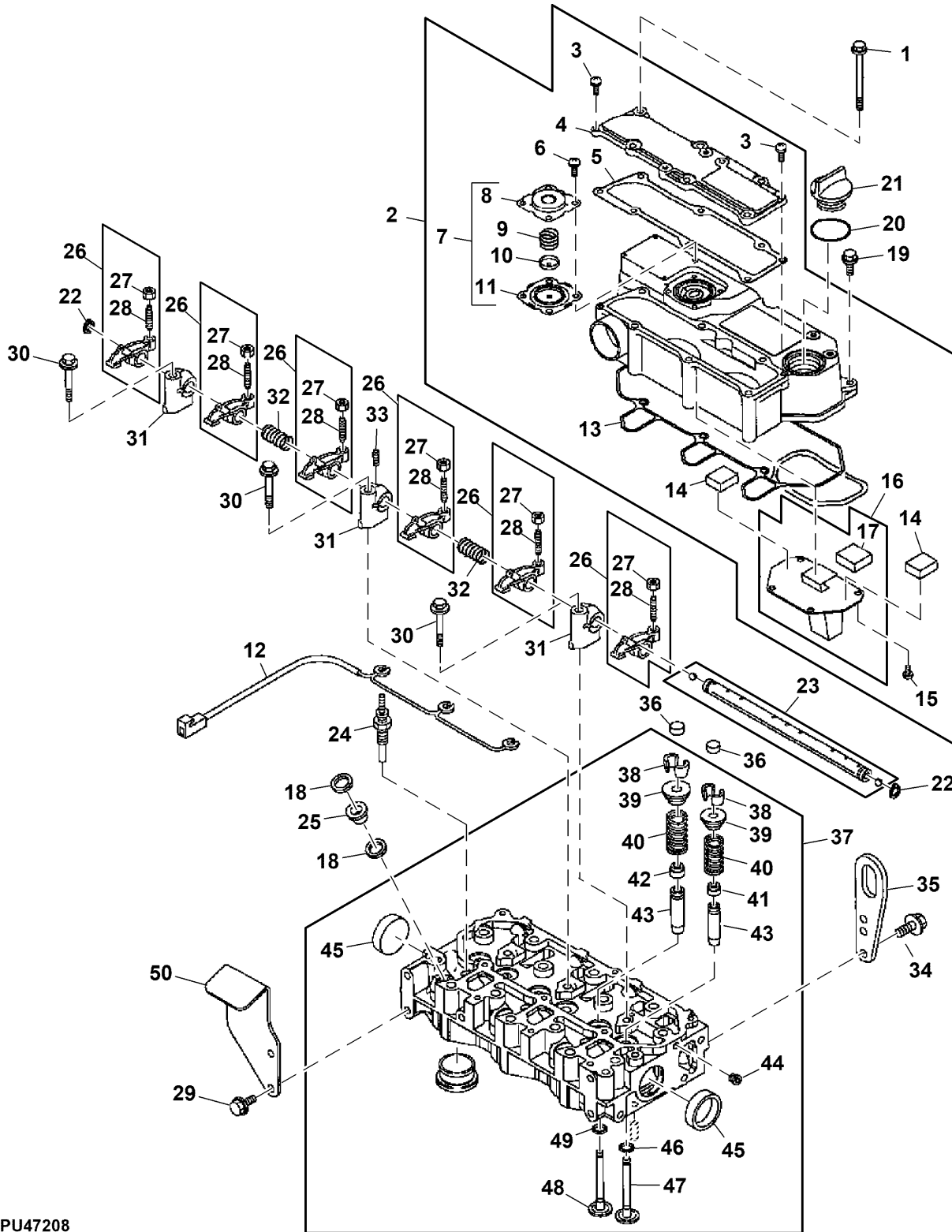
MP63705 A.1



Key	Part No.	Part Name	Qty.	Serial No.	Remarks
1	MIA880049	Short Block Assembly	1		ORDER MIA882684
	MIA882684	Short Block Assembly	1	-070000	
	MIA882698	Short Block Assembly	1	070001-	
2	M87813	Tappet	6		
3	MIA880537	Camshaft	1		
4	19M7774	Screw	2		M6 X 12
5	MIA880570	Idler Gear	1		
6	MIA880096	Cylinder Block	1		
7	AM882426	Piston	3		
8	M811869	Piston Pin	3		
9	CH11486	Ring	6		
10	MIA885009	Connecting Rod	3	-070000	SUB FOR AM882431
	AM875391	Connecting Rod	3	070001-	
	AM882425	Crankshaft	1	-070000	
	AM879978	Crankshaft	1	070001-	
12	MIA884539	Short Block Assembly	1		Not Illustrated, MARKED B-3TNV80F-J1

Cylinder Head, Valves and Rocker Arms  
 Cylinder Head, Valves and Rocker Arms  
 Cylinder Head, Valves and Rocker Arms  
 Cylinder Head, Valves and Rocker Arms  
 Cylinder Head, Valves and Rocker Arms  
 Cylinder Head, Valves and Rocker Arms

PU47208 A.1



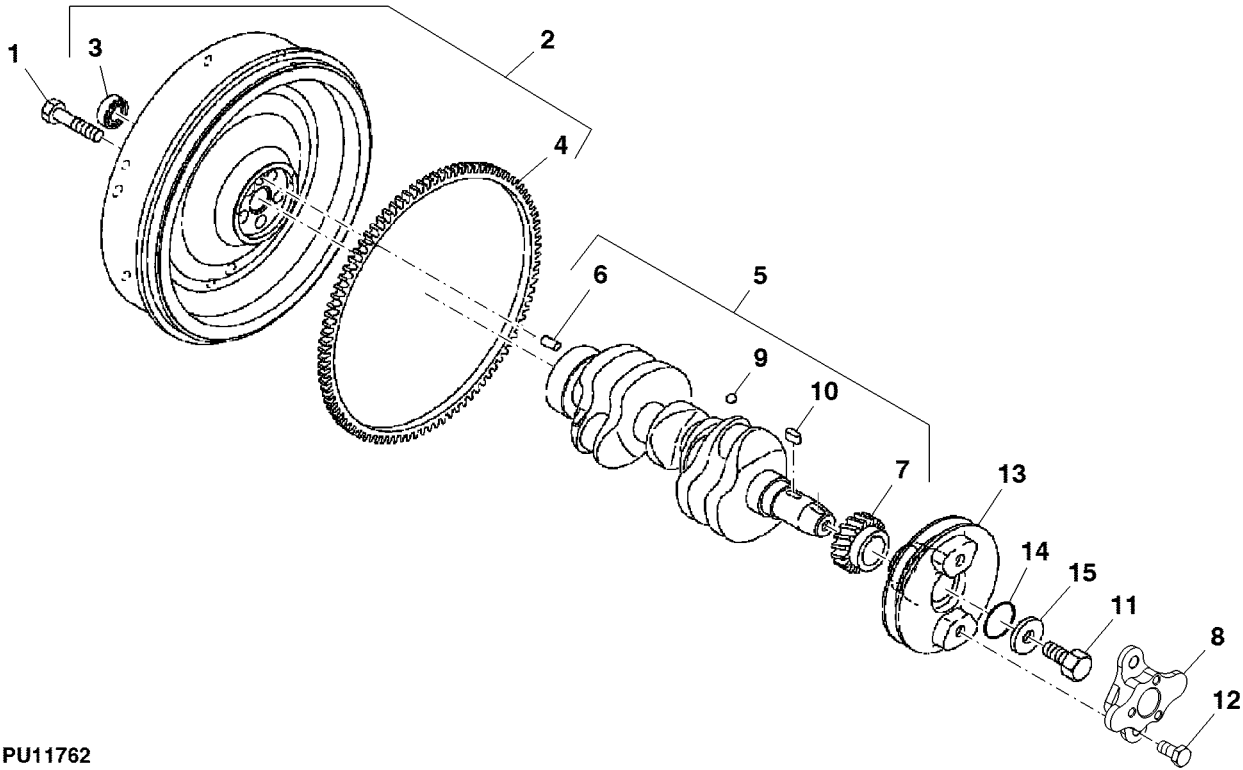
PU47208

Key	Part No.	Part Name	Qty.	Serial No.	Remarks
1	M800100	Bolt	6		
2	AM882422	Valve Cover	1		
3	M811981	Screw	2		
4	M811848	Cover	1		Bonnet
5	M811849	Gasket	1		Bonnet Cover
6	M807374	Screw	8		
7	AM882461	Diaphragm Kit	1		
8	M811649	Cover	1		Diaphragm
9	M811650	Spring	1		
10	M811046	Plate	1		
11	M811958	Diaphragm	1		
12	M811938	Elec. Connector Accessory	1		Glow Plug
13	M811939	Gasket	1		Bonnet
14	M811836	Deflector	3		Breather
15	CH18079	Spring Pin	2		USE WITH MIA882333
16	M811835	Plate	1		Baffle
17	MIU800693	Bracket	1		
18	M89135	Gasket	6		Fuel Injection Nozzle
19	19M7862	Screw	3		M6 X 20, SUB FOR M87820
20	MIU804788	O-Ring	1		SUB FOR M805711
21	M805710	Cap	1		
22	M87818	Snap Ring	2		
23	AM882421	Rocker Arm Shaft	1		
24	M811937	Glow Plug	3		ORDER MIU802457
	MIU805954	Glow Plug	3		SUB FOR MIU802457
25	M811967	Plug	3		Nozzle Shield
26	AM882423	Rocker Arm	6		
27	M801028	Nut	6		
28	M801027	Stud	6		
29	CH19780	Bolt	2		
30	19M8317	Screw	3		M8 X 40
31	M811846	Support	3		Rocker Arm
32	M87892	Spring	2		
33	M87893	Stud	1		
34	19M7865	Screw	2		M8 X 16
35	M811037	Valve Lifter	1		
36	M811804	Cap	6		USE WITH MIA882333, Valve
37	AM882453	Cylinder Head	1		USE WITH AM133451 OR MIA11975 OR MIA11976
	MIA882333	Cylinder Head	1		USE WITH MIA12139 OR AUC13982 OR MIA13217 OR AUC16093
38	M811844	Retainer	12		
39	M811966	Retainer	6		
40	M811842	Spring	6		
41	M811850	Seal	3		Intake Valve Stem
42	M811851	Seal	3		Exhaust Valve Stem
43	M811855	Guide	6		
44	M808706	Plug	1		
45	M811808	Plug	2		
46	M811838	Valve Seat Insert	3		USE WITH AM882453, Intake
47	MIU800642	Intake Valve	3		USE WITH AM882453
	MIU802609	Intake Valve	3		USE WITH MIA882333
48	M811841	Exhaust Valve	3		USE WITH AM882453
	MIU802610	Exhaust Valve	3		USE WITH MIA882333
49	M811839	Valve Seat Insert	3		USE WITH AM882453, Exhaust

Crankshaft and Flywheel  
 Crankshaft and Flywheel  
 Crankshaft and Flywheel  
 Crankshaft and Flywheel  
 Crankshaft and Flywheel



PU11762 A.1

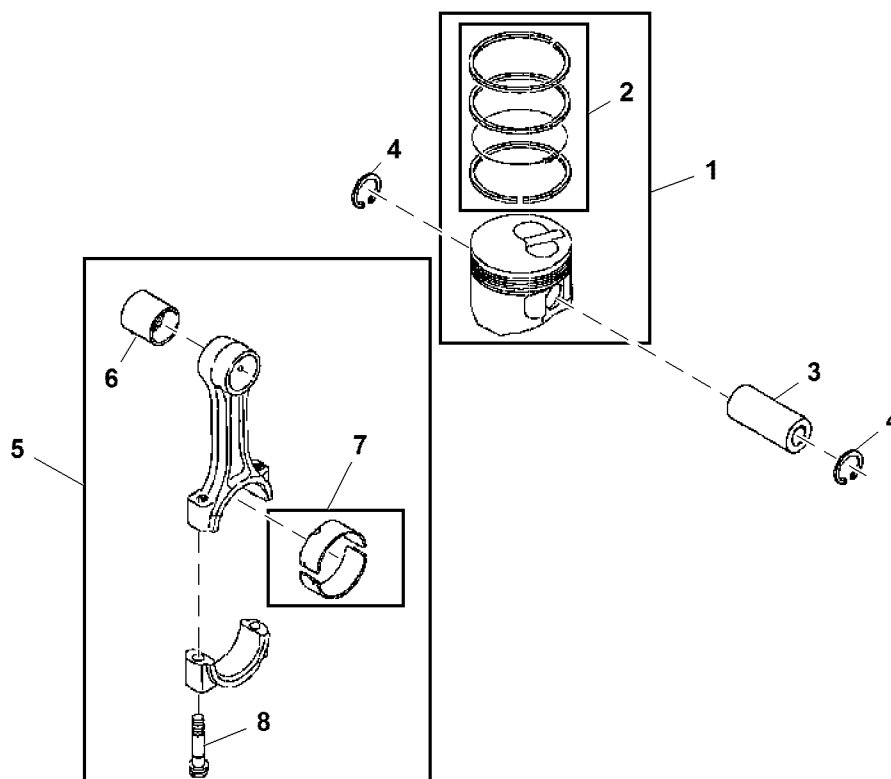
**PU11762**

Key	Part No.	Part Name	Qty.	Serial No.	Remarks
1	CH20081	Bolt	5		
2	AM881398	Flywheel	1		
3	M807344	Bearing	1		
4	M88025	Ring Gear	1		
5	AM882425 MIA882334	Crankshaft	1		USE WITH AM133451 OR MIA11975 OR MIA11976 USE WITH MIA12139 OR MIA13217 OR AUC13982 OR AUC16093
6	M802255	Pin	1		
7	M811864	Gear	1		
8	TCU28982	Adapter	1		USE WITH MIA12139 OR MIA13217 OR AUC13982 OR AUC16093 OR MIA11976
9	400R	Ball	3		6.350 mm
10	M87812	Shaft Key	2		
11	MIU801499	Bolt	1		SUB FOR M800075
12	TCU22740	Cap Screw	2		
13	MIU800694	Pulley	1		
14	MIU804760	O-Ring	1		SUB FOR MIU802534 OR CH17827
15	M811865	Washer	1		ORDER MIU802535
	MIU802535	Washer	1		

Connecting Rod and Piston  
 Connecting Rod and Piston  
 Connecting Rod and Piston  
 Connecting Rod and Piston  
 Connecting Rod and Piston  
 Connecting Rod and Piston



PU29023 A.1



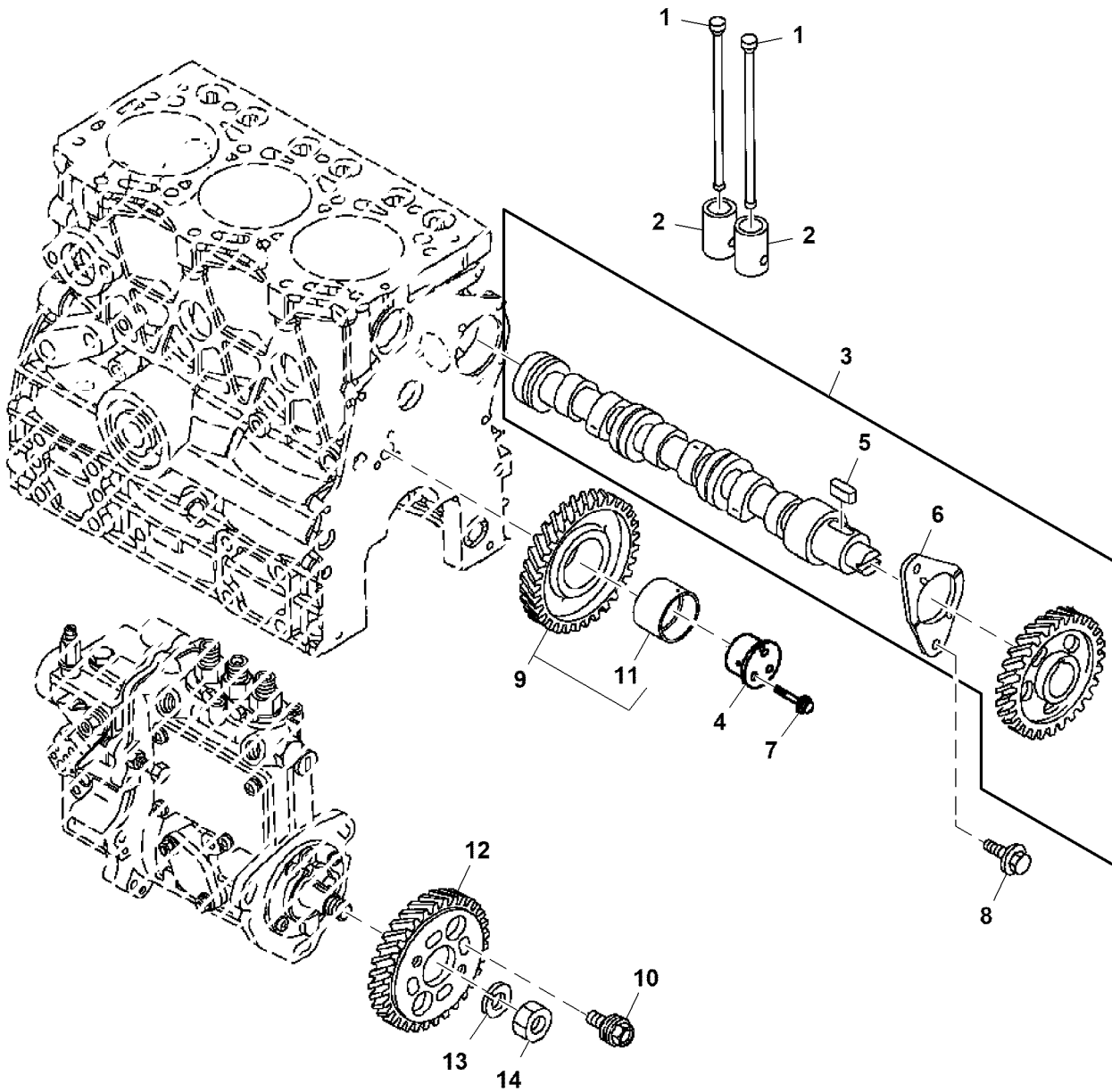
PU29023

Key	Part No.	Part Name	Qty.	Serial No.	Remarks
1	AM882426	Piston Kit	3		STD, USE WITH AM133451 OR MIA11975 OR MIA11976
	AM882430	Piston Kit	3		OS = 0.25 mm, USE WITH AM133451 OR MIA11975 OR MIA11976
	MIA884664	Piston Kit	3		STD, USE WITH MIA12139 OR AUC13982 OR AUC16093 OR MIA13217; SUB FOR MIA882335
	MIA884665	Piston Kit	3		OS = 0.25 mm, USE WITH MIA12139 OR AUC13982 OR AUC16093 OR MIA13217; SUB FOR MIA882340
2	AM882428	Piston Ring Kit	3		STD, USE WITH AM133451 OR MIA11975 OR MIA11976, Set of 4
	AM882429	Piston Ring Kit	3		OS = 0.25 mm, USE WITH AM133451 OR MIA11975 OR MIA11976, Set of 4
	MIA882337	Piston Ring Kit	3		STD, USE WITH MIA12139 OR AUC13982 OR AUC16093 OR MIA13217, Set of 4
	MIA882338	Piston Ring Kit	3		OS = 0.25 mm, USE WITH MIA12139 OR AUC13982 OR AUC16093 OR MIA13217, Set of 4
3	M811869	Piston Pin	3		USE WITH AM133451 OR MIA11975 OR MIA11976
	MIU802617	Piston Pin	3		USE WITH MIA12139 OR AUC13982 OR AUC16093 OR MIA13217
4	CH11486	Snap Ring	6		
5	MIA885009	Connecting Rod	3		USE WITH AM133451 OR MIA11975 OR MIA11976; SUB FOR AM882431
	MIA885010	Connecting Rod	3		USE WITH MIA12139 OR AUC13982 OR AUC16093 OR MIA13217; SUB FOR MIA882341
6	MIU804764	Bushing	3		SUB FOR M811880
7	MIA880561	Bearing	3		STD
	MIA880566	Bearing	3		US = 0.25 mm
8	M811877	Bolt	6		

Camshaft and Driving Gears  
 Camshaft and Driving Gears  
 Camshaft and Driving Gears  
 Camshaft and Driving Gears  
 Camshaft and Driving Gears



PU43362 A.1



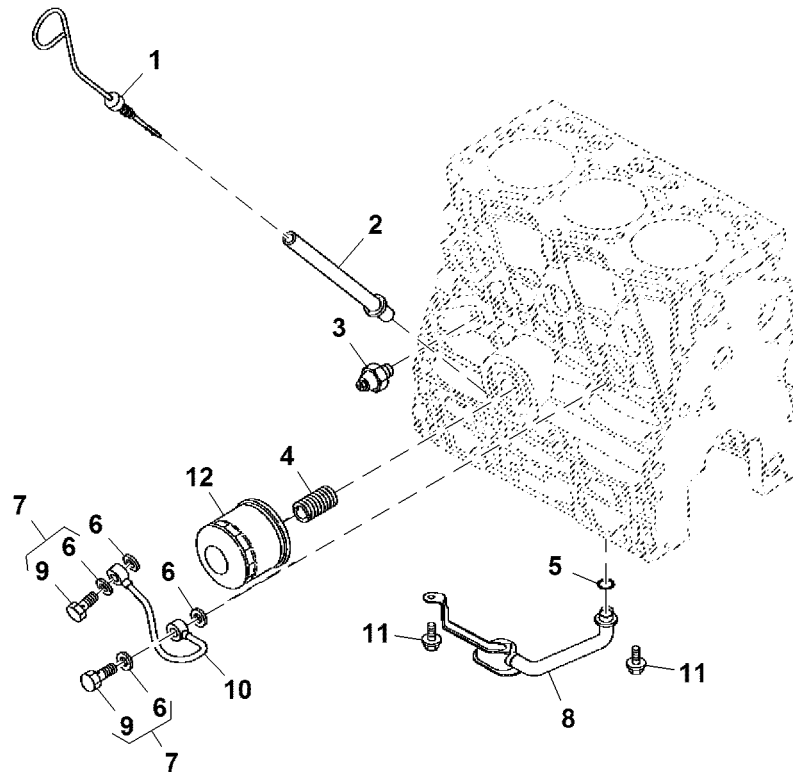
PU43362



Key	Part No.	Part Name	Qty.	Serial No.	Remarks
1	M811861	Push Rod	6		
2	M87813	Tappet	6		
3	MIA880537	Camshaft	1		
4	M811882	Shaft	1		Idle Gear
5	M87812	Shaft Key	1		
6	M87810	Flange	1		
7	M87871	Bolt	3		
8	19M7774	Screw	2		M6 X 12
9	MIA880570	Gear Kit	1		
10	RG60871	Bolt	4		
11	MIU800598	Bushing	1		
12	M811884	Gear	1		Pump
13	12M7067	Lock Washer	1		12 mm
14	14M7275	Nut	1		M12

Oil Filter  
Oil Filter  
Oil Filter  
Oil Filter  
Oil Filter  
Oil Filter

PU29022 A.1



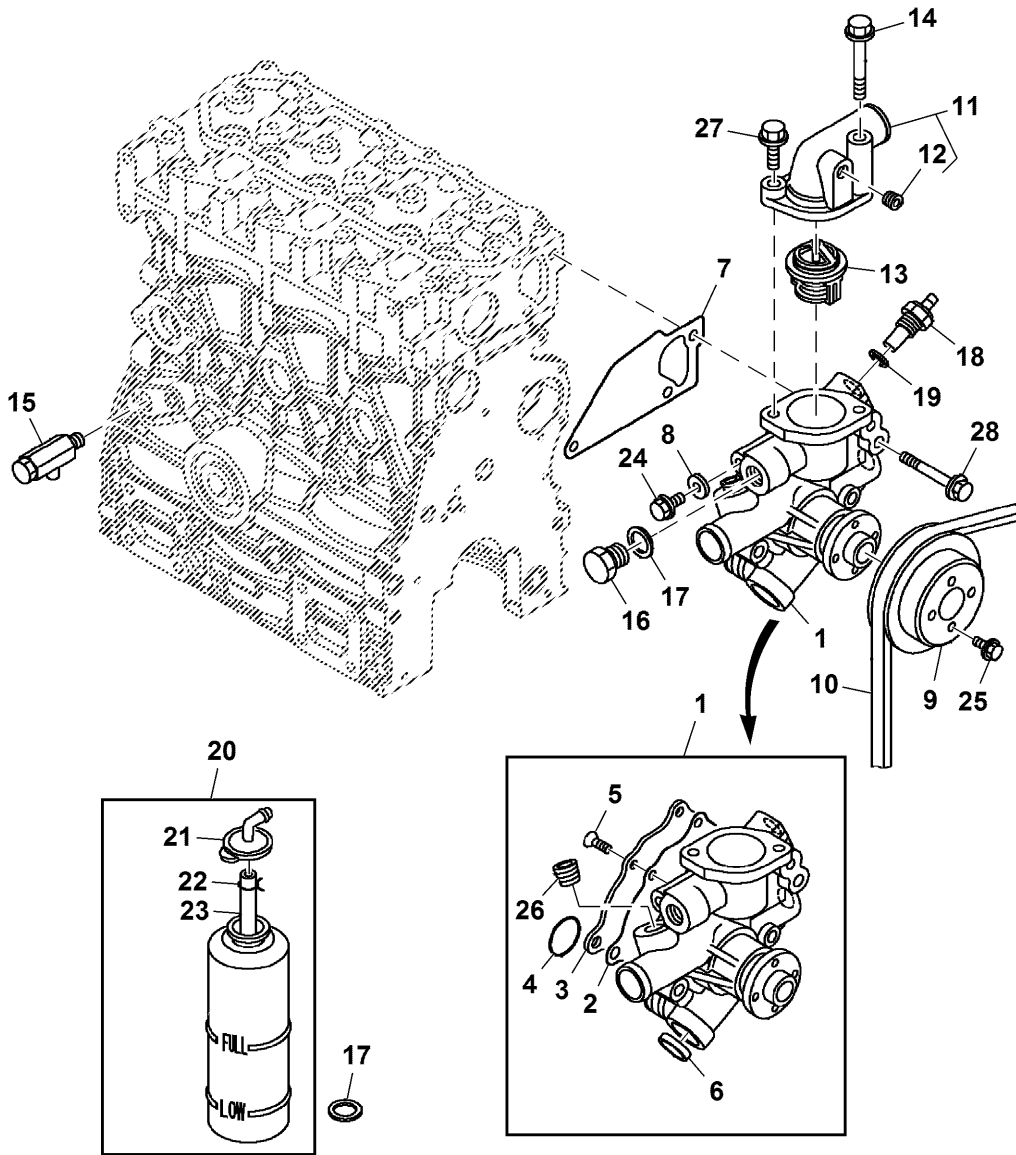
PU29022

Key	Part No.	Part Name	Qty.	Serial No.	Remarks
1	MIU800695	Dipstick	1		
2	M811441	Dipstick Tube	1		
3	AM100856	Switch	1		Oil Pressure
4	T110711	Stud	1		USE WITH AM133451 OR MIA11975 OR MIA11976
	MIU805441	Stud	1		USE WITH MIA12139 OR MIA13217 OR AUC13982 OR AUC16093 OR MIU801676
5	M811886	O-Ring	1		
6	M803523	Washer	4		
7	AM881809	Bolt	2		
8	AM882448	Pipe	1		
9	CH16843	Hollow Screw	2		
10	M811892	Pipe	1		
11	19M7300	Cap Screw	2		M6 X 10
12	M806418	Oil Filter	1		

Water Pump and Thermostat  
 Water Pump and Thermostat  
 Water Pump and Thermostat  
 Water Pump and Thermostat  
 Water Pump and Thermostat



PU28851 A.1



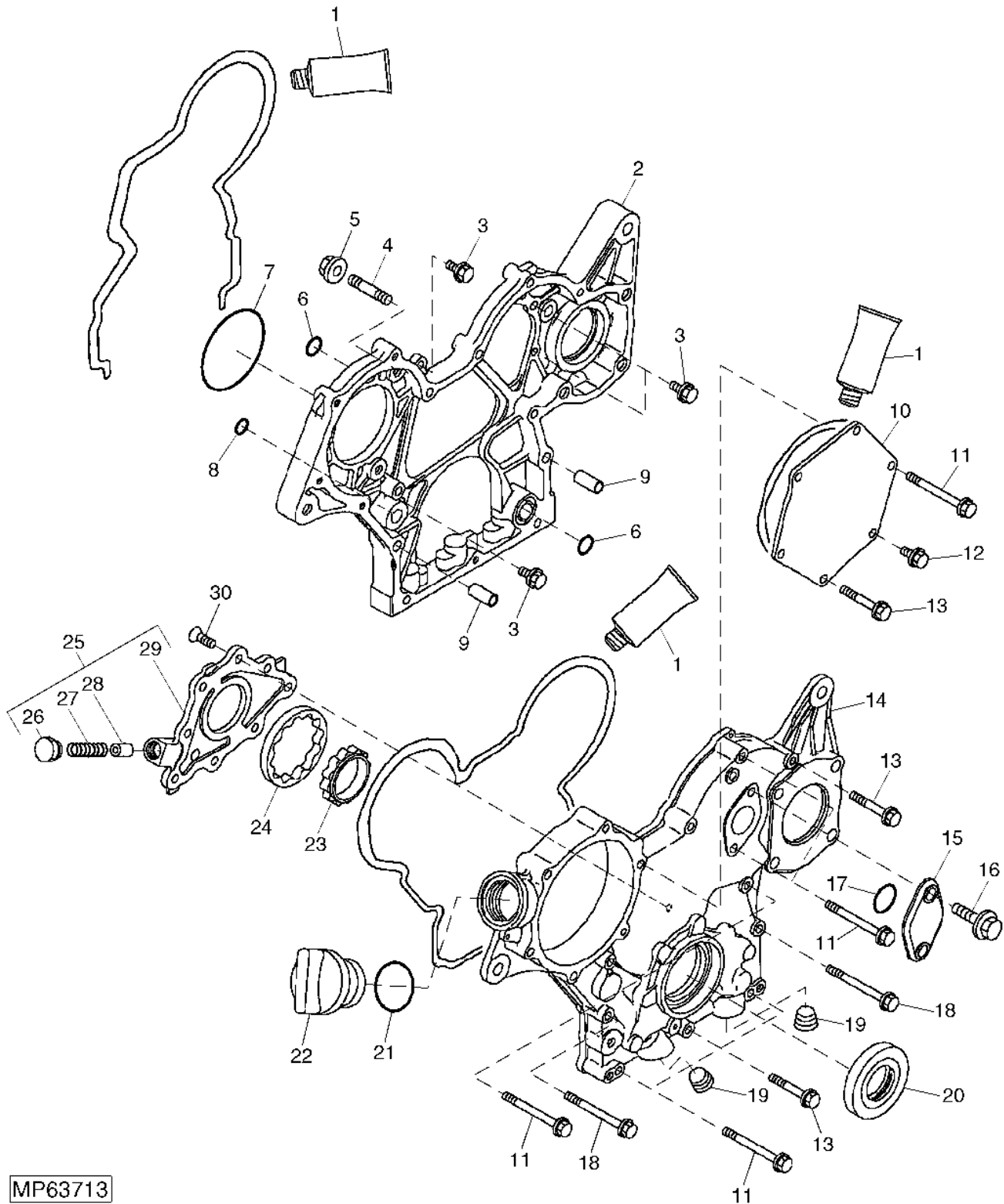
PU28851

Key	Part No.	Part Name	Qty.	Serial No.	Remarks
1	MIA880091	Water Pump	1		ORDER MIA882091
	MIA885095	Water Pump	1		SUB FOR MIA882091
2	MIU800071	Gasket	1		Water Pump
3	MIU800072	Cover	1		Water Pump
4	MIU802236	O-Ring	1		
5	21M7194	Screw	4		M6 X 12, SUB FOR M800087
6	CH17101	Plug	1		USE WITH MIA882091
7	M811893	Gasket	1		Water Pump
8	CH10554	O-Ring	1		
9	M811894	Pulley	1		Cooling Water Pump
10	MIU800108	V-Belt	1		
11	AM881403	Housing	1		
12	M806794	Pipe Plug	1		SUB FOR APPL MIU800282
13	M811895	Thermostat	1		71° c
14	CH19099	Bolt	1		
15	AM100800	Drain Valve	1		
16	M800312	Plug	1		
17	CH13814	Washer	2		
18	T110736	Sensor	1		Water Temperature
19	T110737	Gasket	1		Temperature Sensor
20	CH12866	Tank	1	080001-	Expansion
21	CH12896	Cap	1	080001-	Expansion Tank
22	CH10426	Retainer	1	080001-	
23	CH10551	Pipe	1	080001-	
24	19M7864	Screw	1		M8 X 12
25	19M7774	Screw	4		M6 X 12
26	M811345	Drain Plug	2		
27	CH19085	Bolt	1		
28	CH19086	Bolt	3		

Gear Case ( - 080000)  
 Gear Case ( - 080000)  
 Gear Case ( - 080000)  
 Gear Case ( - 080000)  
 Gear Case ( - 080000)  
 Gear Case ( - 080000)



MP63713 A.1



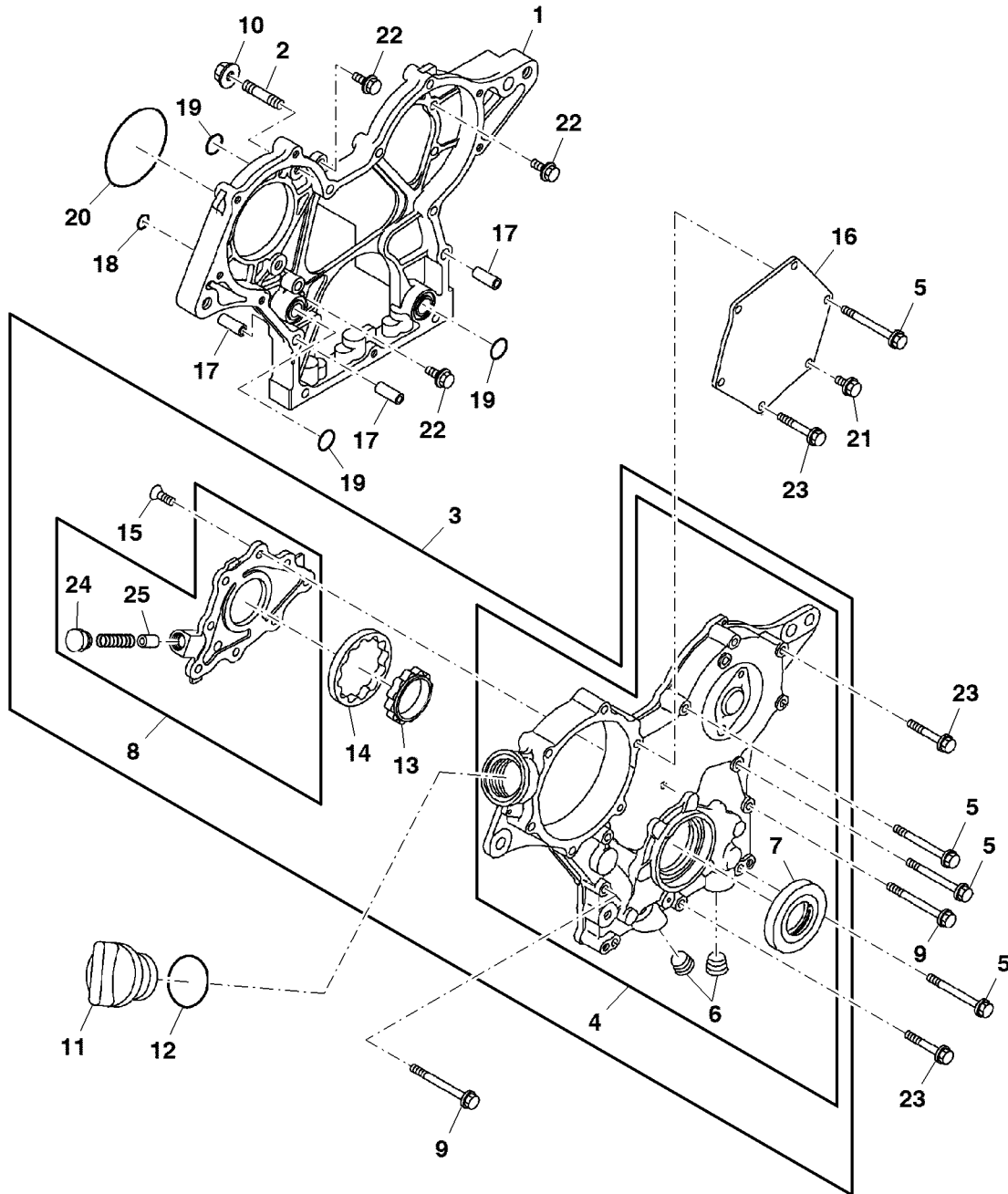
MP63713

Key	Part No.	Part Name	Qty.	Serial No.	Remarks
1	M64850	Sealant	AR		
2	MIU800696	Gear Case	1		
3	19M7775	Screw	4		M6 X 16
4	M811820	Stud	3		
5	14M7298	Flange Nut	3		M8
6	M811885	O-Ring	3		
7	CH16940	O-Ring	1		
8	M809204	O-Ring	1		
9	M800006	Dowel Pin	2		
10	M811823	Cover	1		Pump Timing
11	M89120	Bolt	7		
12	19M7774	Screw	1		M6 X 12
13	19M7797	Screw	6		M6 X 40, SUB FOR M800008
14	.....	Cover	1		(A), (B), ORDER MIA880660
15	MIU800476	Cover	1		Tachometer
16	19M7775	Screw	2		M6 X 16
17	CH13526	O-Ring	1		
18	M800065	Bolt	2		
19	M806938	Plug	2		(A), (B)
20	M811563	Seal	1		(A), (B)
21	M805711	O-Ring	1		ORDER MIU804788
	MIU804788	O-Ring	1		
22	M805710	Cap	1		
23	M811888	Rotor	1		(B)
24	M811889	Rotor	1		(B)
25	AM882435	Cover	1		Lubricating Oil Pump, (B)
26	.....	Plug	1		ORDER AM882435
27	.....	Spring	1		ORDER AM882435
28	M811140	Pressure Relief Valve	1		
29	.....	Cover	1		ORDER AM882435
30	M811061	Screw	8		(B)
31	MIA880660	Gear Case	1		Not Illustrated, INCLUDES PARTS MARKED (A)
	MIA880657	Gear Case	1		Not Illustrated, INCLUDES PARTS MARKED (B)

Gear Case (080001 -)  
 Gear Case (080001 -)  
 Gear Case (080001 -)  
 Gear Case (080001 -)  
 Gear Case (080001 -)  
 Gear Case (080001 -)



PU47233 A.1



PU47233

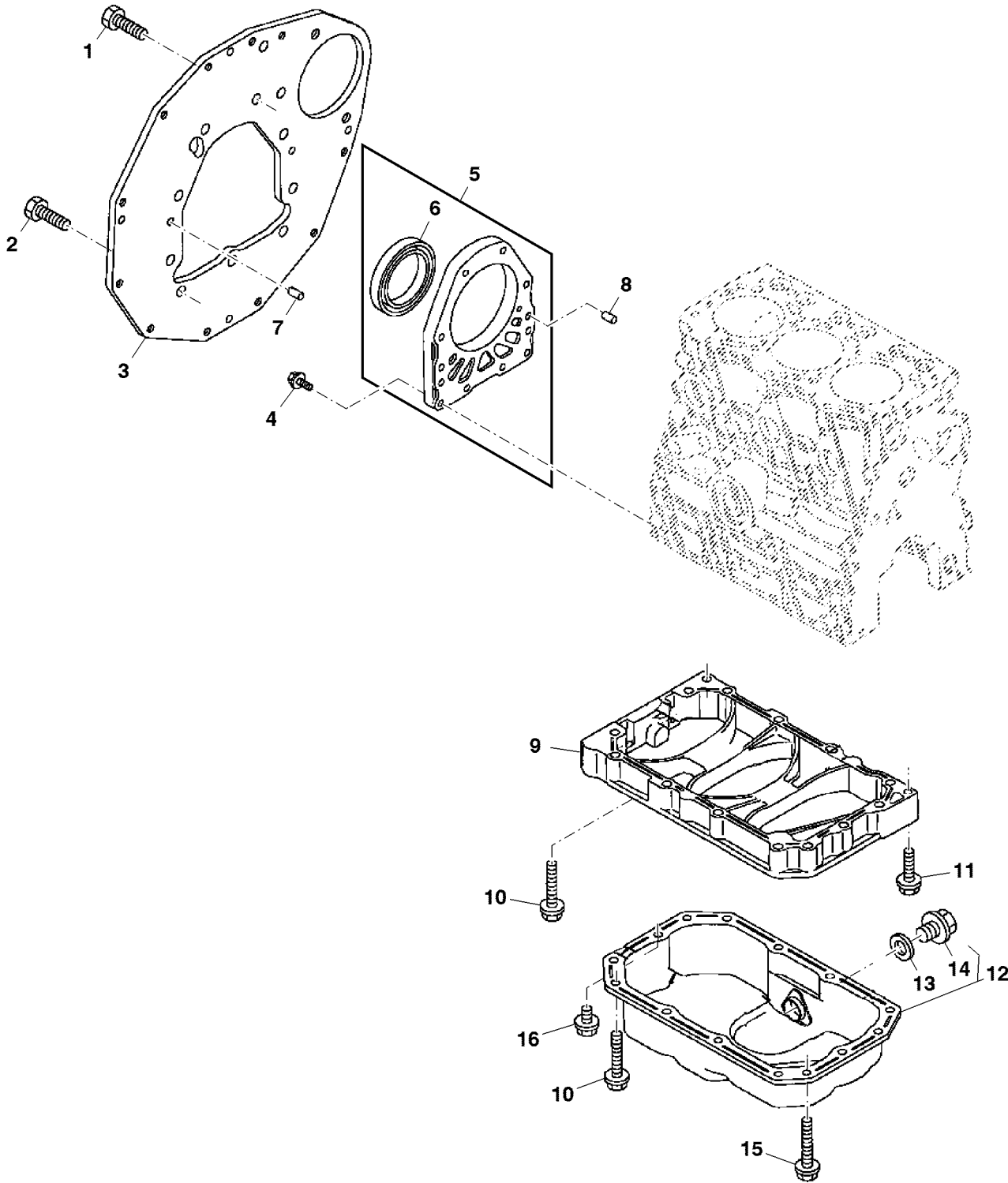


Key	Part No.	Part Name	Qty.	Serial No.	Remarks
1	M811816	Gear Case	1		
2	M811820	Stud	3		
3	AM882445	Cover	1		Gear
4	AM882469	Cover Kit	1		
5	M89120	Bolt	7		
6	M806938	Plug	2		
7	M811563	Seal	1		
8	AM882435	Cover	1		Lubricating Oil Pump
9	M800065	Bolt	2		
10	14M7298	Flange Nut	3		M8, SUB FOR M810186
11	M805710	Cap	1		
12	MIU804788	O-Ring	1		SUB FOR M805711
13	M811888	Rotor	1		Inner
14	M811889	Rotor	1		Outer
15	M811061	Screw	8		
16	M811823	Cover	1		Pump Timing
17	M800006	Dowel Pin	4		
18	M809204	O-Ring	1		
19	M811885	O-Ring	3		
20	CH16940	O-Ring	1		
21	19M7774	Screw	1		M6 X 12, SUB FOR M87819
22	19M7775	Screw	4		M6 X 16
23	19M7797	Screw	7		M6 X 40, SUB FOR M800008
24	M806737	Plug	1		
25	M811140	Pressure Relief Valve	1		

Engine Mounting Flange and Oil Pan  
 Engine Mounting Flange and Oil Pan  
 Engine Mounting Flange and Oil Pan  
 Engine Mounting Flange and Oil Pan  
 Engine Mounting Flange and Oil Pan  
 Engine Mounting Flange and Oil Pan



PU11749 A.2



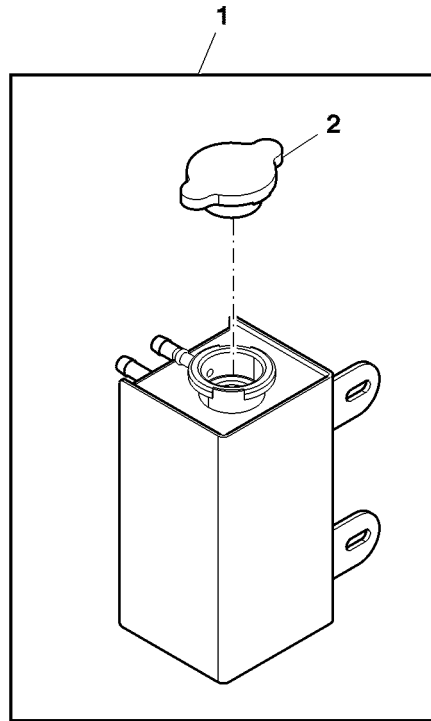
PU11749

Key	Part No.	Part Name	Qty.	Serial No.	Remarks
1	M800011	Bolt	8		
2	19M7402	Cap Screw	3		M10 X 25, SUB FOR M800077
3	MIU800256	Flange	1		
4	M87826	Bolt	10		
5	AM882411	Case Kit	1		
6	M801941	Seal	1		SUB FOR M87809
7	M802255	Pin	2		
8	M802254	Pin	2		
9	M811822	Intermediate Housing	1		
10	CH19101	Bolt	11		
11	19M7868	Screw	1		M8 X 30
12	AM882446	Oil Pan	1		Sump, Lubricating Oil
13	M806545	Washer	1		
14	M806544	Drain Plug	1		
15	CH19086	Bolt	3		
16	19M7864	Screw	1		M8 X 12

De-Aeration Tank ( - 060000)  
 De-Aeration Tank ( - 060000)  
 De-Aeration Tank ( - 060000)  
 De-Aeration Tank ( - 060000)  
 De-Aeration Tank ( - 060000)  
 De-Aeration Tank ( - 060000)



PU08237 A.1



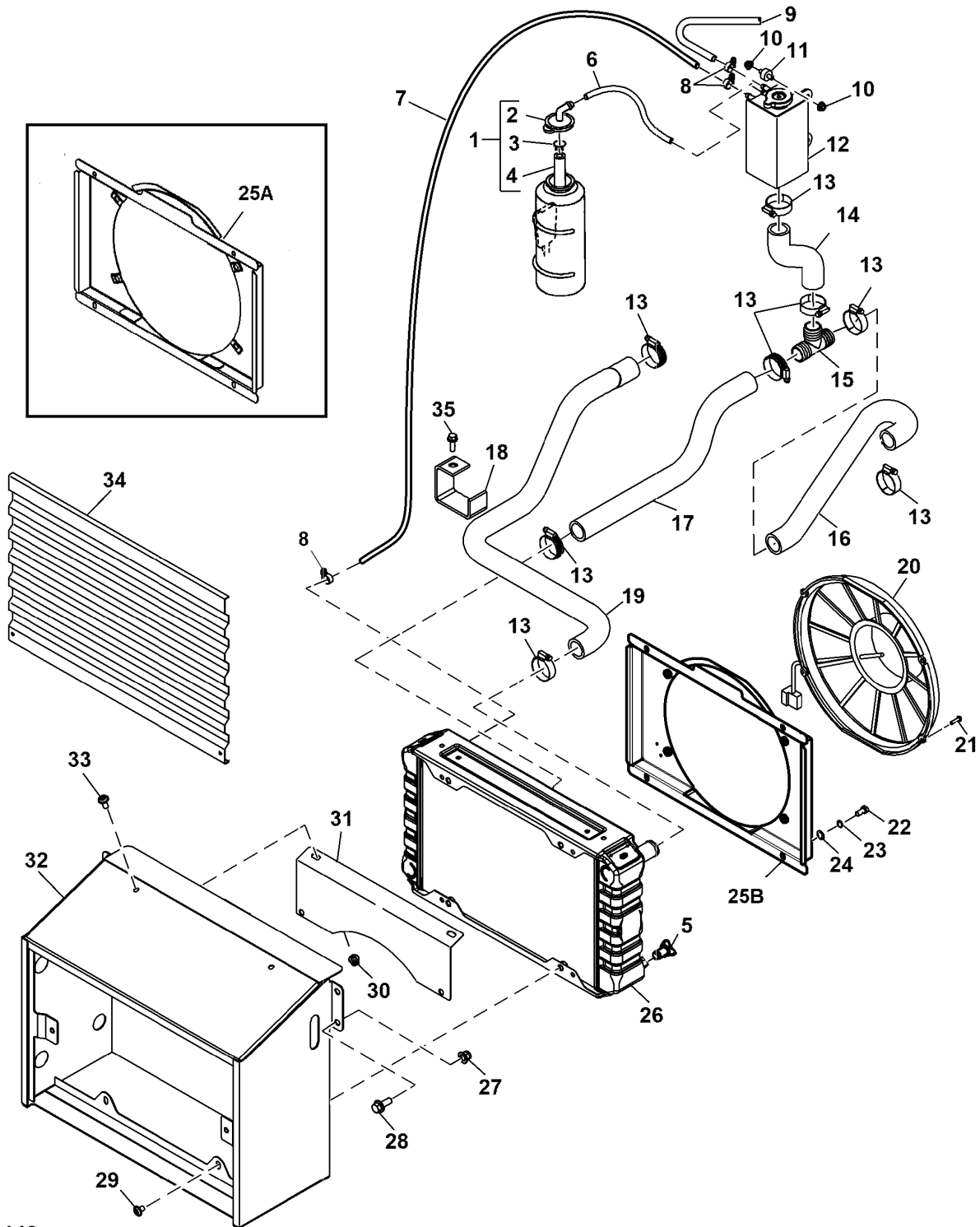
**PU08237**

Key	Part No.	Part Name	Qty.	Serial No.	Remarks
1	TCA16880	Tank	1		ORDER TCA24718; INCLUDES TCU31996
	TCA24718	Tank	1		
2	TCU31996	Filler Cap	1		



Radiator (- 060000)  
 Radiator (- 060000)  
 Radiator (- 060000)  
 Radiator (- 060000)  
 Radiator (- 060000)  
 Radiator (- 060000)

PU48148 A.1

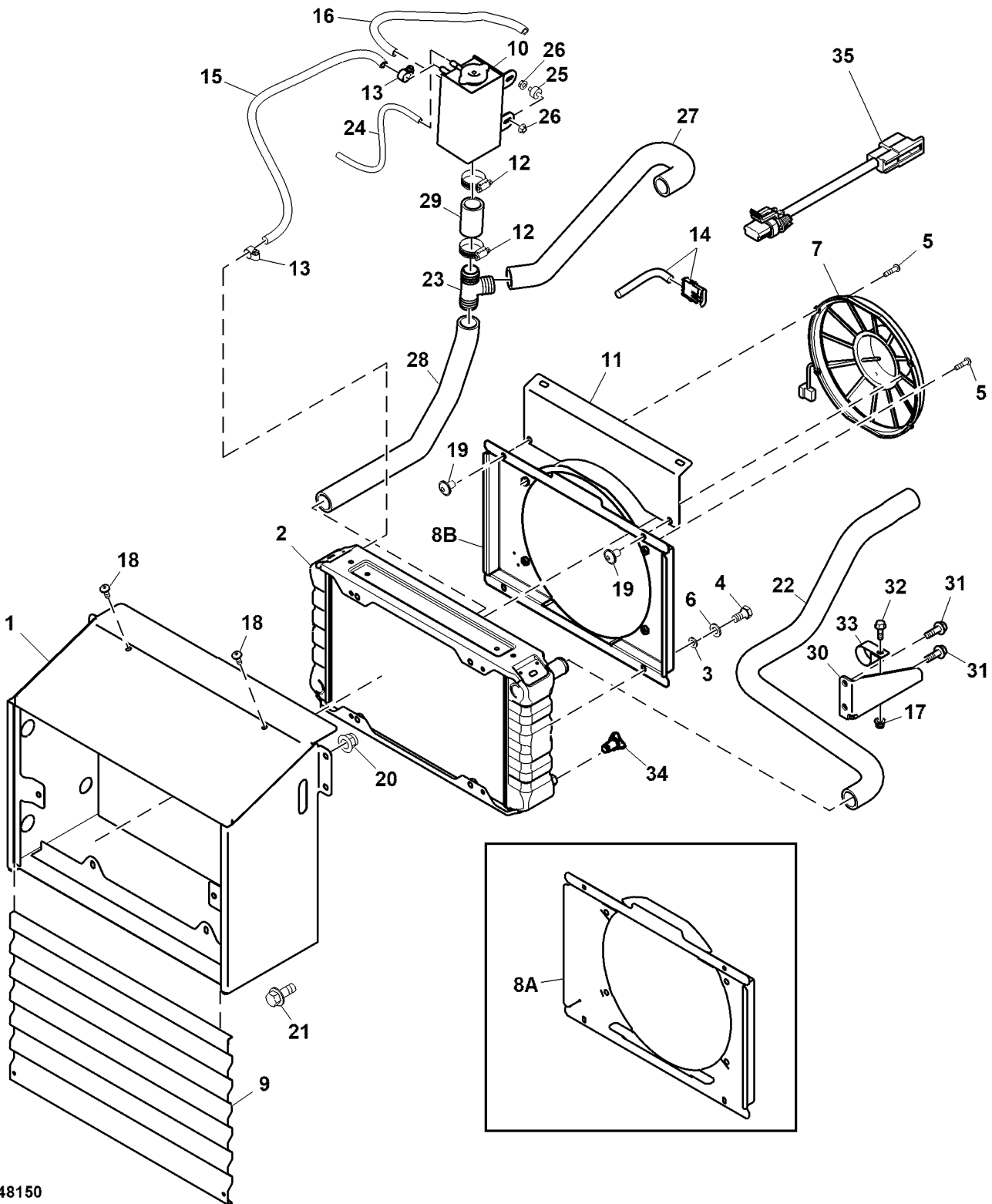


PU48148

Key	Part No.	Part Name	Qty.	Serial No.	Remarks
1	CH12866	Tank	1		
2	CH12896	Cap	1		
3	CH10426	Retainer	1		
4	CH10551	Pipe	1		
5	M88304	Drain Valve	1		
6	PMK010-0406	Bulk Hose	1		Tank to Coolant Overflow Bottle
7	.....	Hose	1		MF UC24982; SUB FOR M154056 OR M175326; Tank to Radiator
8	TY22462	Clamp	3		SUB FOR AR48236
9	.....	Hose	1		MF UC24982; SUB FOR M175326 ORM154056; Tank to Thermostat Housing
10	N10217	Lock Nut	4	-070000	
	TCU33324	Nut	4	070001-075000	
	TCU33325	Nut	4	075001-	
11	TCU28085	Isolator	2		ORDER TCU37653; SUB FOR TCU22972
	TCU37653	Isolator	2		
12	TCA16880	Tank	1		ORDER TCA24718; INCLUDES TCU31996
	TCA24718	Tank	1		
	TCU31996	Filler Cap	1		
13	TY22467	Clamp	8		SUB FOR AR21839 OR M143033
14	TCU21596	Hose	1		Coolant Tank Inlet
15	TCU21920	Tee Fitting	1		
16	TCU21597	Hose	1	-060000	Radiator, Coolant Pump Inlet
	TCU24200	Hose	1	060001-	Radiator, Coolant Pump Inlet
17	TCU21594	Hose	1		Coolant, Lower Radiator
18	TCU22670	Hose Support	1		Upper
19	TCU21595	Hose	1	-060000	Coolant, Upper Radiator
	TCU24201	Hose	1	060001-	Coolant, Upper Radiator
20	TCA20929	Fan	1		SUB FOR AM129853 OR TCA20892
21	21H1148	Screw	4		0.190" X 3/4"
22	19M7162	Cap Screw	4		M8 X 16
23	12H302	Lock Washer	4		1/4"
24	24M7055	Washer	4		8.400 X 16 X 1.600 mm
25A	AM130986	Shroud	1		
25B	AUC18521	Shroud	1		SUB FOR AM130986
26	VGA10295	Radiator	1		
27	14M7465	Lock Nut	4		M10
28	19M7785	Screw	4		M10 X 25
29	19M8971	Screw	4		M8 X 12
30	14M7396	Lock Nut	2		M8
31	VG11433	Bracket	1		
32	VGA10770	Box	1		
33	19M8599	Screw	2		M8 X 20
34	M140065	Screen	1		
35	37M7458	PART MISSING IN WISE	1		

Radiator (060001 - 080000)  
 Radiator (060001 - 080000)  
 Radiator (060001 - 080000)  
 Radiator (060001 - 080000)  
 Radiator (060001 - 080000)  
 Radiator (060001 - 080000)

PU48150 A.1



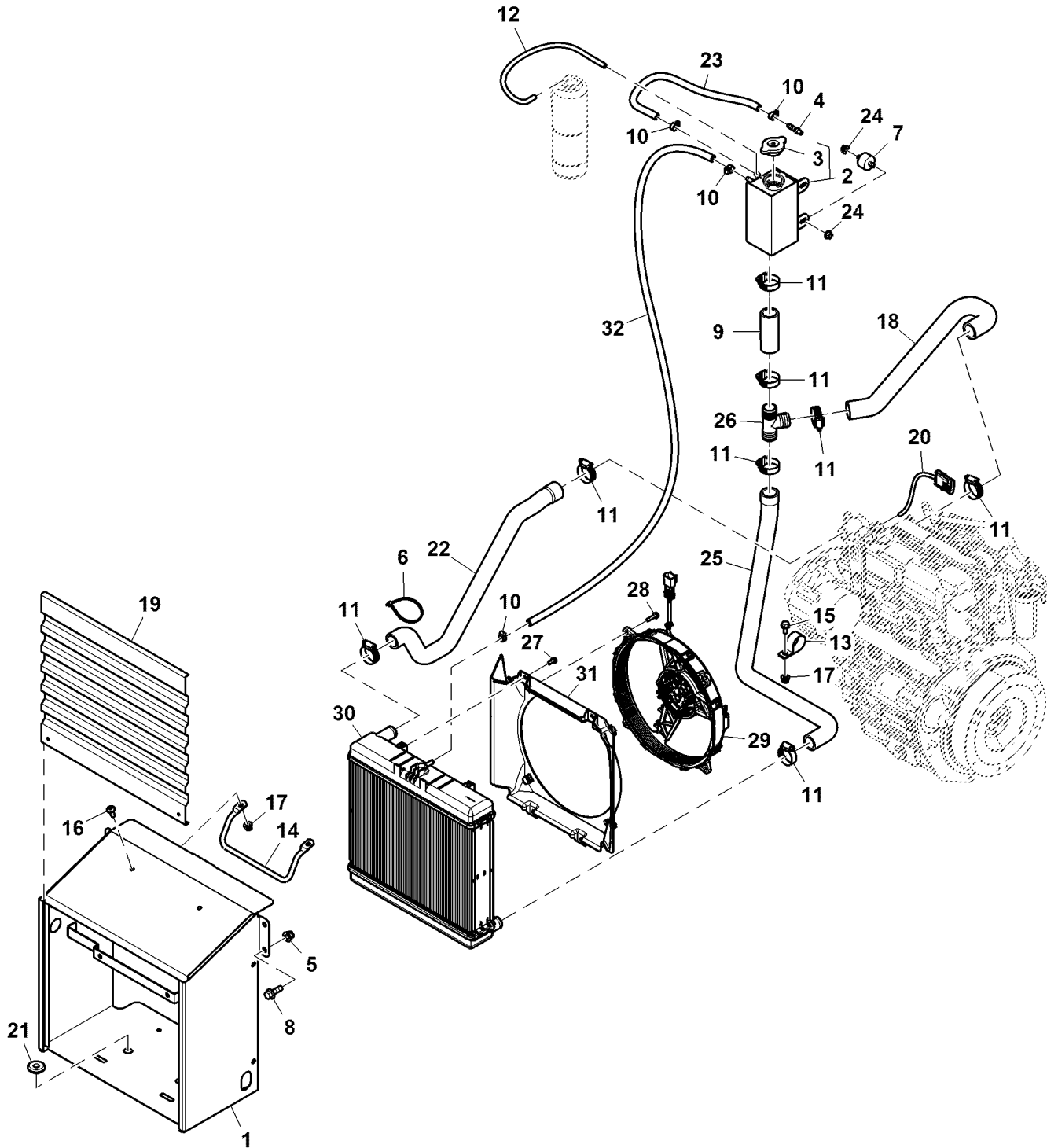
PU48150



Key	Part No.	Part Name	Qty.	Serial No.	Remarks
1	VGA10770	Box	1		
2	VGA10295	Radiator	1		
3	12H302	Lock Washer	4		1/4"
4	19M7162	Cap Screw	4		M8 X 16
5	21H1148	Screw	4	-020347	0.190" X 3/4"
6	24M7055	Washer	4		8.400 X 16 X 1.600 mm
7	TCA20929	Fan	1		
8A	AM130986	Shroud	1		
8B	AUC18521	Shroud	1		SUB FOR AM130986
9	M140065	Screen	1		
10	TCA16880	Tank	1		ORDER TCA24718; INCLUDES TCU31996; De-Aeration
	TCU31996	Filler Cap	1		
	TCA24718	Tank	1		De-Aeration
11	VG11433	Bracket	1		
12	TY22467	Clamp	8		SUB FOR AR21839
13	TY22462	Clamp	4		
14	TCA18278	Switch	1		Temperature Control
15	.....	Hose	1		MF UC24982 ; SUB FOR M175326 OR M154056
16	X125HBL-5-2	Hose Fitting	1		
17	14M7396	Lock Nut	3		M8
18	19M8599	Screw	2		M8 X 20
19	19M8971	Screw	4		M8 X 12
20	14M7465	Lock Nut	4		M10
21	19M7785	Screw	4		M10 X 25
22	TCU21595	Radiator Hose	1		Coolant, Upper Radiator
23	TCU21920	Tee Fitting	1		
24	PMK010-0406	Bulk Hose	1		
25	TCU37653	Isolator	2		SUB FOR TCU28085
26	N10217	Lock Nut	4	-060000	
	TCU33324	Nut	4	060001-	
27	TCU29912	Hose	1		Coolant, Lower Engine
28	TCU28647	Hose	1		Coolant, Lower Radiator
29	TCU28790	Hose	1		Coolant, Tank Inlet
30	TCU29787	Bracket	1		
31	19M7786	Screw	2		M10 X 30
32	19M7867	Screw	1		M8 X 25
33	R112693	Clamp	1		
34	M88304	Drain Valve	1		
35	TCA20892	Sensor Wiring Harness	1	-060000	Cooling Fan Adapter, USE WITH TCA20929

- Radiator (080001 -)
- Radiator (080001 -)
- Radiator (080001 -)
- Radiator (080001 -)
- Radiator (080001 -)
- Radiator (080001 -)

PU28793 A.1



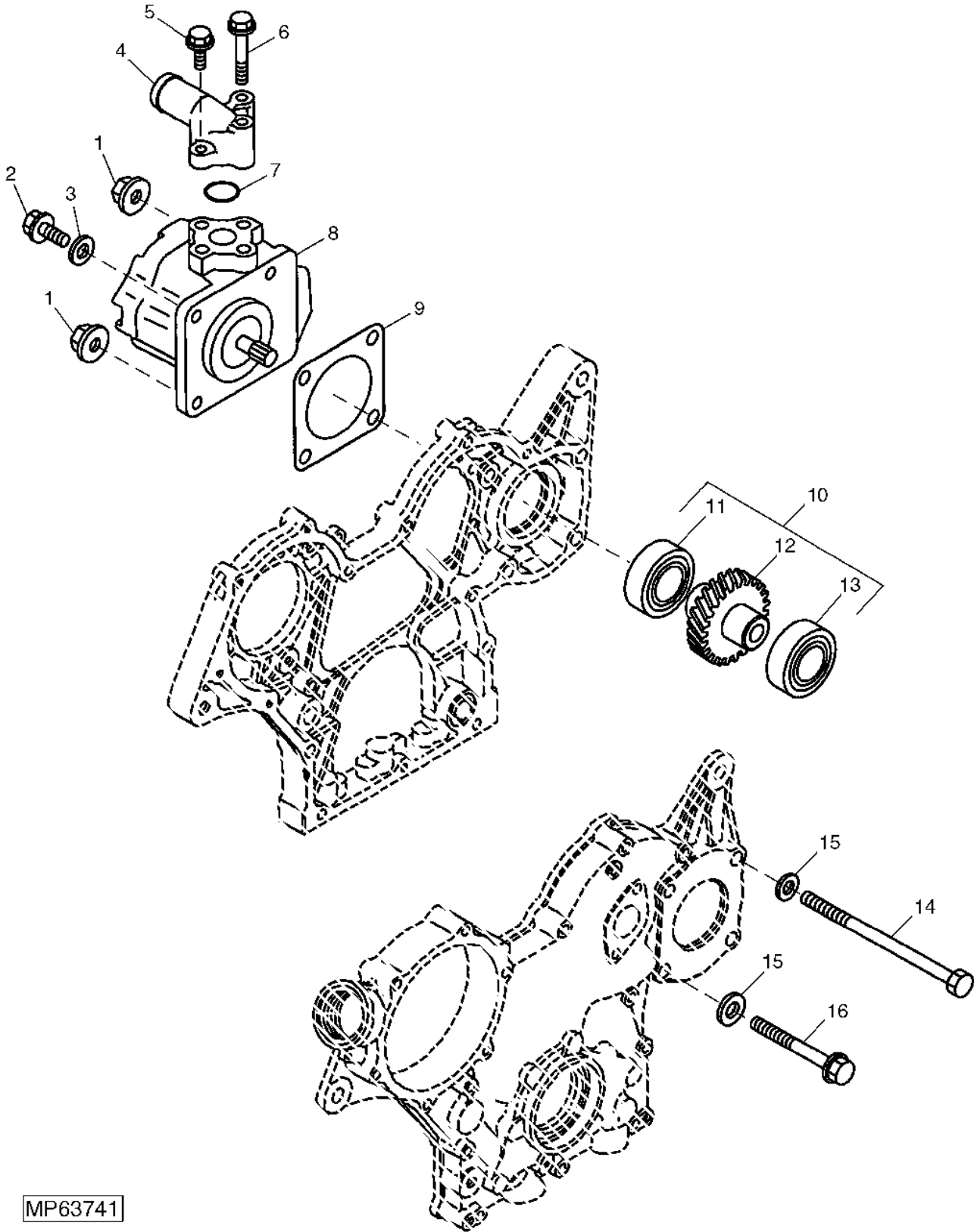
PU28793

Key	Part No.	Part Name	Qty.	Serial No.	Remarks
1	TCA22469	Cover	1		
2	TCA24718	Tank	1		De-Aeration
3	TCU31996	Filler Cap	1		
4	X125HBL-5-2	Hose Fitting	1		
5	14M7465	Lock Nut	4		M10
6	H77698	Tie Band	1		
7	TCU37653	Isolator	2		
8	19M7786	Screw	4		M10 X 30
9	TCU38033	Hose	1		SUB FOR TCU28790, Coolant Tank Inlet
10	TY22462	Clamp	4		SUB FOR AR48236
11	AR21839	Clamp	8		SUB FOR TY22467
12	.....	Hose	1		CTL 267 mm, MF PMK010-0406, De-Aeration Tank to Overflow
13	R112693	Clamp	1		
14	TCU32971	Support	1		
15	19M7865	Screw	1		M8 X 16
16	19M8599	Screw	2		M8 X 20
17	14M7396	Lock Nut	3		M8
18	TCU29912	Hose	1		Coolant, Lower, Engine
19	TCU33214	Screen	1		
20	TCA18278	Switch	1		Temperature Control
21	R117581	Grommet	2		
22	TCU33211	Hose	1		Coolant, Upper Radiator
23	.....	Hose	2		CTL 457 mm, MF M175326 OR UC24982; SUB FOR M154056
24	TCU33325	Nut	4		
25	TCU33210	Hose	1		Coolant, Lower, Radiator
26	TCU21920	Tee Fitting	1		
27	19M7775	Screw	4		M6 X 16
28	19M7863	Screw	4		M6 X 25
29	AUC10781	Fan	1		SUB FOR TCA23105
30	TCA23106	Radiator	1		
31	TCA23107	Shroud	1		Fan
32	.....	Hose	1		CTL 724 mm, MF UC24982, Radiator to De-Aeration Tank

Hydraulic Pump, Steering (- 060000)  
 Hydraulic Pump, Steering (- 060000)  
 Hydraulic Pump, Steering (- 060000)  
 Hydraulic Pump, Steering (- 060000)  
 Hydraulic Pump, Steering (- 060000)  
 Hydraulic Pump, Steering (- 060000)



MP63741 A.1

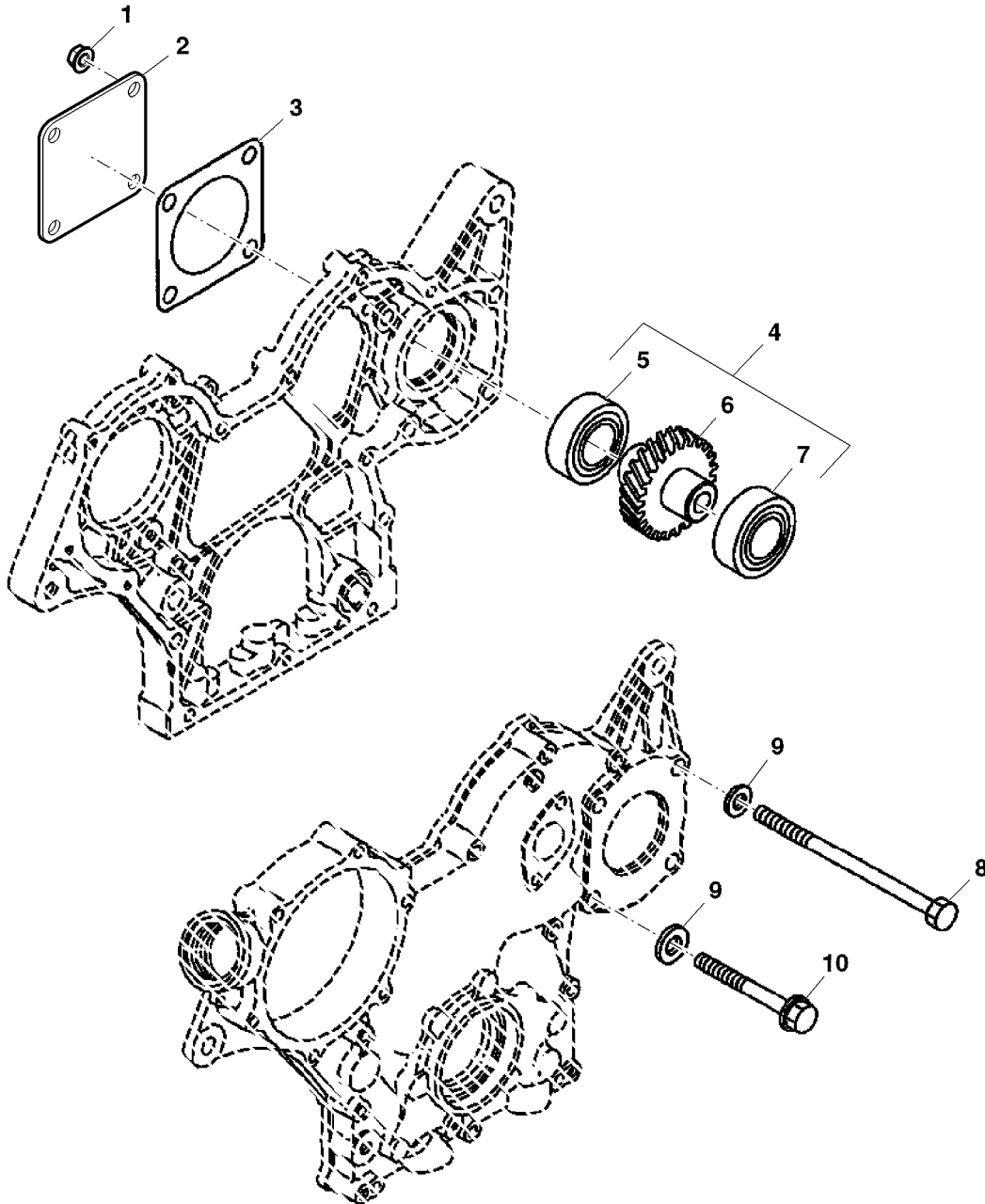


MP63741

Key	Part No.	Part Name	Qty.	Serial No.	Remarks
1	14M7298	Flange Nut	3		M8
2	19M7866	Screw	1		M8 X 20
3	M803523	Washer	1		
4	M802952	Flange	1		
5	19M7862	Screw	1		M6 X 20, SUB FOR M87820
6	19M7797	Screw	2		M6 X 40, SUB FOR M800008
7	M45387	O-Ring	1		
8	MIU800689	Hydraulic Pump	1		MARKED 3TNV76-XJUV
9	MIU802578	Gasket	1		SUB FOR M805696
10	MIA880656	Pump	1		Gear
11	M807352	Bearing	1		
12	.....	Gear	1		ORDER MIA880656
13	CH15491	Ball Bearing	1		
14	M802646	Bolt	2		
15	24M7055	Washer	2		8.400 X 16 X 1.600 mm
16	CH19091	Bolt	1		

Hydraulic Pump, Steering (060001 - )  
 Hydraulic Pump, Steering (060001 - )  
 Hydraulic Pump, Steering (060001 - )  
 Hydraulic Pump, Steering (060001 - )  
 Hydraulic Pump, Steering (060001 - )  
 Hydraulic Pump, Steering (060001 - )

PU04825 A.1



PU04825

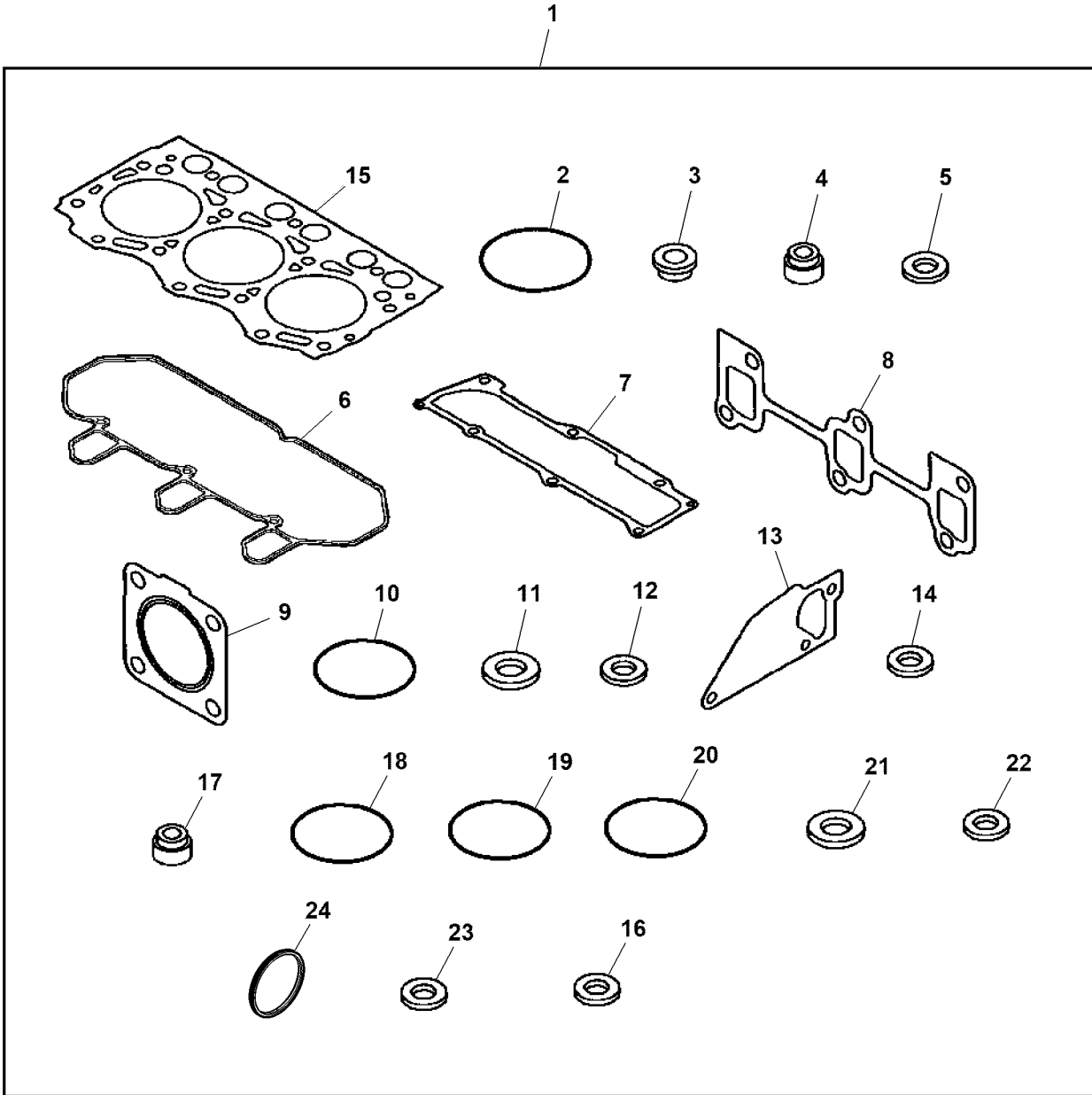
---

Key	Part No.	Part Name	Qty.	Serial No.	Remarks
1	14M7298	Flange Nut	3		
2	CH18096	Cover	1		M8
3	M805696	Gasket	1		
4	MIA880656	Pump	1		Gear
5	M807352	Bearing	1		
6	..	Gear	1		ORDER MIA880656
7	CH15491	Ball Bearing	1		
8	M802646	Bolt	2		
9	24M7055	Washer	2		8.400 X 16 X 1.600 mm
10	CH19091	Bolt	1		

---

Gasket Kit  
Gasket Kit  
Gasket Kit  
Gasket Kit  
Gasket Kit  
Gasket Kit

PU43363 A.1



PU43363



Key	Part No.	Part Name	Qty.	Serial No.	Remarks
1	MIA883638	Gasket Kit	1		SUB FOR MIA882348
2	CH16940	O-Ring	1		
3	M811967	Plug	3		Nozzle Shield
4	M811850	Seal	3		Intake Valve Stem
5	M89135	Gasket	6		Fuel Injection Nozzle
6	M811939	Gasket	1		Bonnet
7	M811849	Gasket	1		Bonnet Cover
8	M811857	Gasket	1		Exhaust Manifold
9	M811089	Gasket	1		Muffler
10	M809204	O-Ring	1		
11	M803523	Washer	4		
12	M811968	Gasket	3		
13	M811893	Gasket	1		Water Pump
14	CH13814	Washer	1		
15	MIA882331	Gasket	1		Cylinder Head
16	M811568	Washer	1		
17	M811851	Seal	3		Exhaust Valve Stem
18	M811885	O-Ring	2		
19	M811886	O-Ring	1		
20	MIU804788	O-Ring	2		SUB FOR M805711
21	M811567	Washer	4		SUB FOR M806438
22	T110737	Gasket	1		Temperature Sensor
23	CH10554	Gasket	1		
24	MIU804760	O-Ring	1		SUB FOR MIU802534

Home Maintenance Kit (Not for Canada and USA)  
 Home Maintenance Kit (Not for Canada and USA)  
 Home Maintenance Kit (Not for Canada and USA)  
 Home Maintenance Kit (Not for Canada and USA)  
 Home Maintenance Kit (Not for Canada and USA)  
 Home Maintenance Kit (Not for Canada and USA)

PU31029 A.1



PU31029

Key	Part No.	Part Name	Qty.	Serial No.	Remarks
1	AUC17071	Maintenance Kit	1		Includes Filters, Oil, Oil Change Sticker Where Applicable, Actual Kit Contents May Differ From Photo

Home Maintenance Kit (For Canada and USA)  
 Home Maintenance Kit (For Canada and USA)  
 Home Maintenance Kit (For Canada and USA)  
 Home Maintenance Kit (For Canada and USA)  
 Home Maintenance Kit (For Canada and USA)  
 Home Maintenance Kit (For Canada and USA)

PU31029 A.1



PU31029

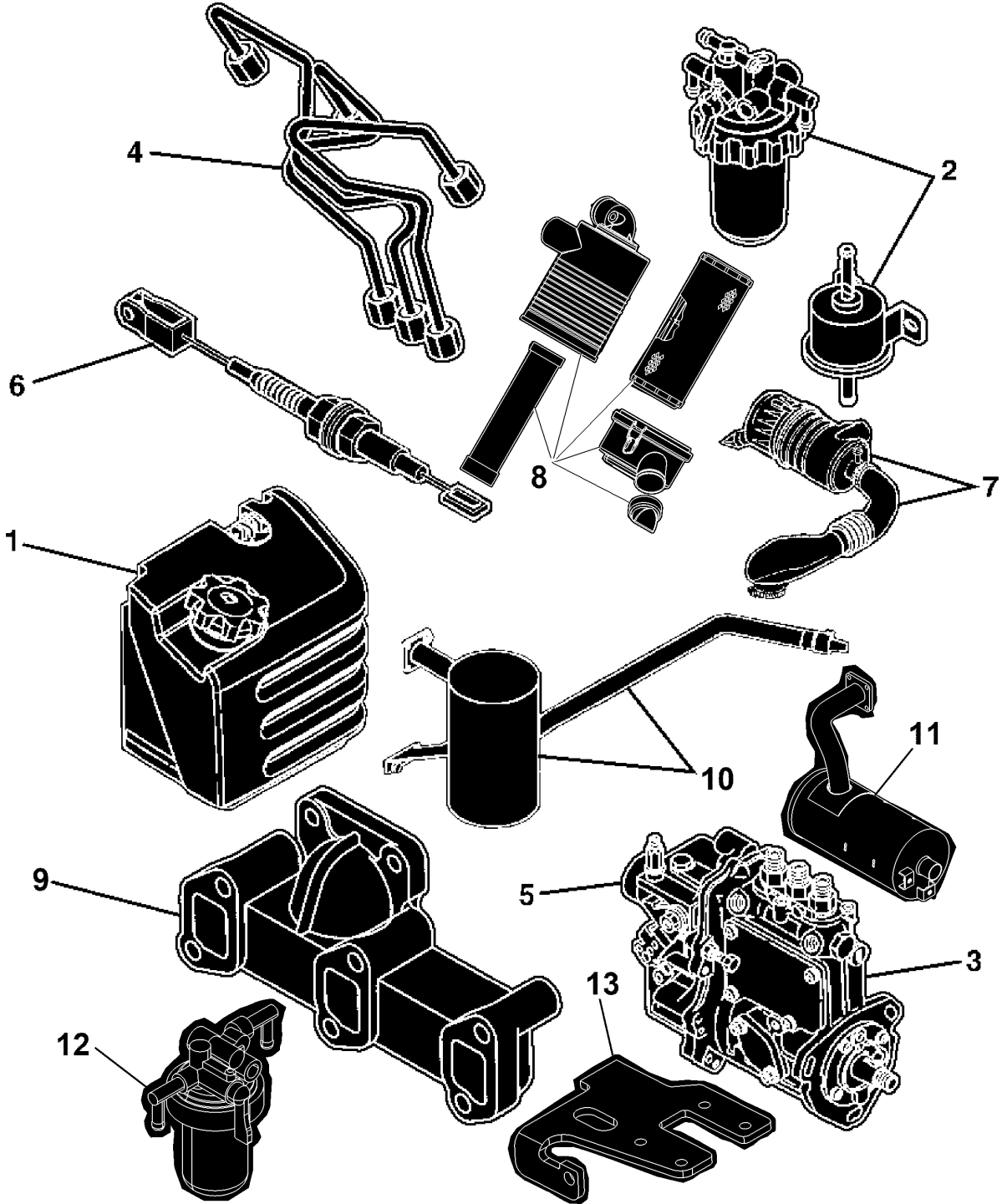
Key	Part No.	Part Name	Qty.	Serial No.	Remarks
1	LG260	Maintenance Kit	1		Includes Air Filter, Fuel Filter, Oil Filter, Oil Change Label, 15W40 Engine Oil Quart (3), (Actual Kit Contents May Differ From Photo)



Sectional Pictorial Index  
Index d'illustrations par sections.  
Gruppenbildindex  
Indice illustrato delle sezioni  
Indice de ilustraciones por secciones  
Avsnittsbildregister

PU43357 A.1

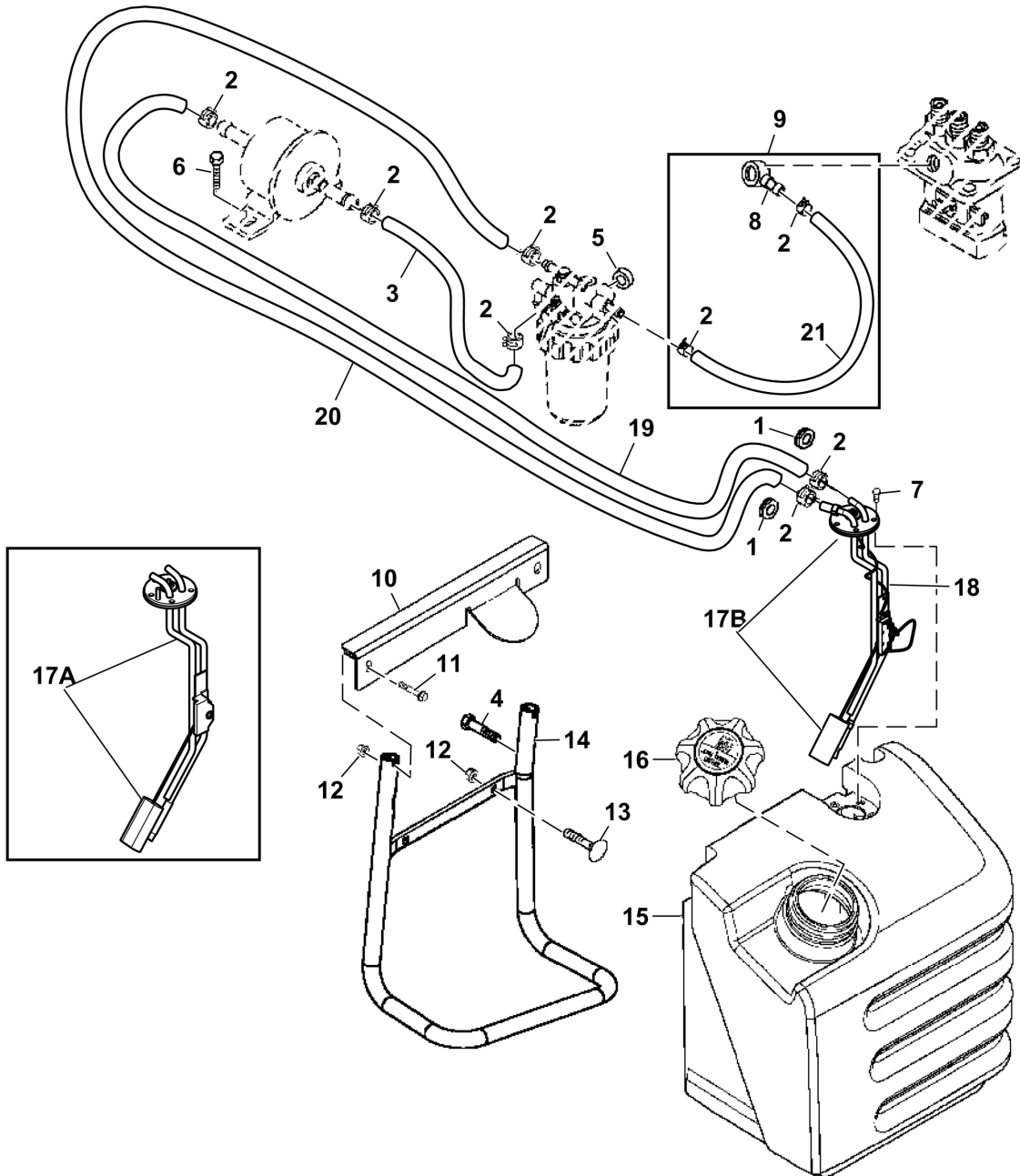
1-	98
2-	100
3-	102
4-	106
5-	104
6-	108
7-	110
8-	112
9-	114
10-	115
11-	116
12-	118
13-	119



PU43357

Fuel Tank and Lines  
Fuel Tank and Lines  
Fuel Tank and Lines  
Fuel Tank and Lines  
Fuel Tank and Lines

PU48748 A.1



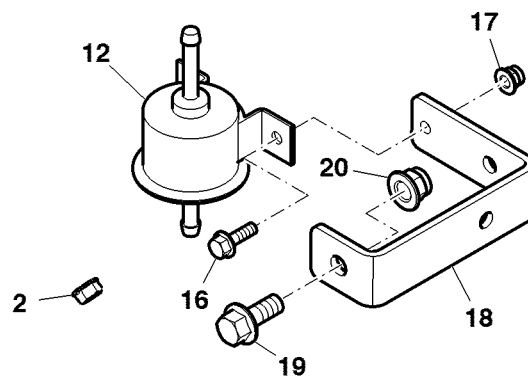
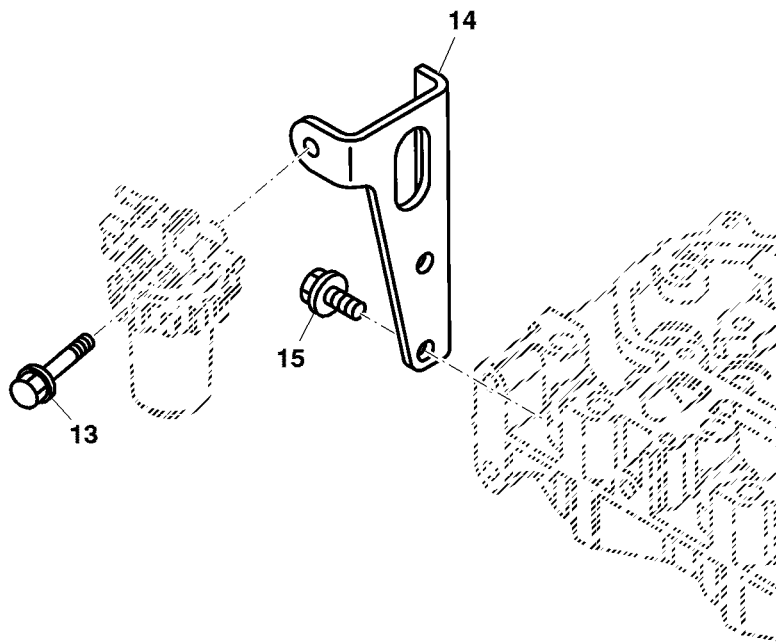
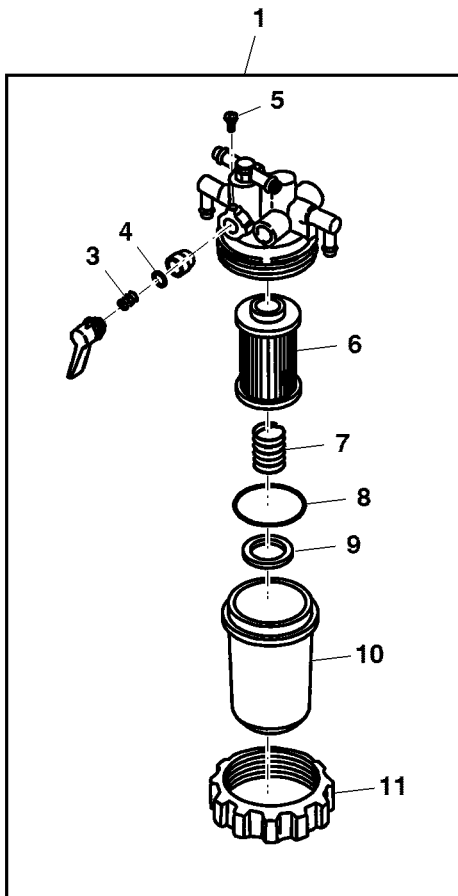
PU48748

Key	Part No.	Part Name	Qty.	Serial No.	Remarks
1	M141374	Grommet	2		
2	TY22462	Clamp	8		
3	.....	Hose	1		CTL 559 mm, MF UC24982 OR M175326, Pump to Filter Inlet
4	19M7867	Screw	2		M8 X 25
5	M809213	Spacer	1		
6	19M7862	Screw	1		M6 X 20
7	19M7372	Cap Screw	5		M5 X 16
8	CH17960	Fitting	1		
9	AM875887	Pipe	1		
10	M133773	Cover	1		Fuel Tank Bracket
11	19M7799	Screw	2		M8 X 45
	19M7979	Screw	2	080001-	M8 X 55
12	14M7396	Lock Nut	2		M8
13	19M7867	Screw	2		M8 X 25
14	TCA16900	Support	1		
15	M129888	Fuel Tank	1		
16	AM123508	Filler Cap	1		-080000
	LVA18519	Filler Cap	1	080001-	
17A	AM125582	Fuel Sender	1		
17B	AUC18317	Fuel Sender	1		SUB FOR AM125582
18	M144980	Insert	2		USE WITH TCA16900
19	.....	Hose	1		CTL 610 mm, MF UC24982, Filter Return to Tank
20	.....	Hose	1		CTL 610 mm, MF UC24982, Return Tank Out to Pump
21	.....	Hose	1		MF M175326

Fuel Pump and Fuel Filter  
Fuel Pump and Fuel Filter  
Fuel Pump and Fuel Filter  
Fuel Pump and Fuel Filter  
Fuel Pump and Fuel Filter  
Fuel Pump and Fuel Filter



PU11746 A.1



PU11746

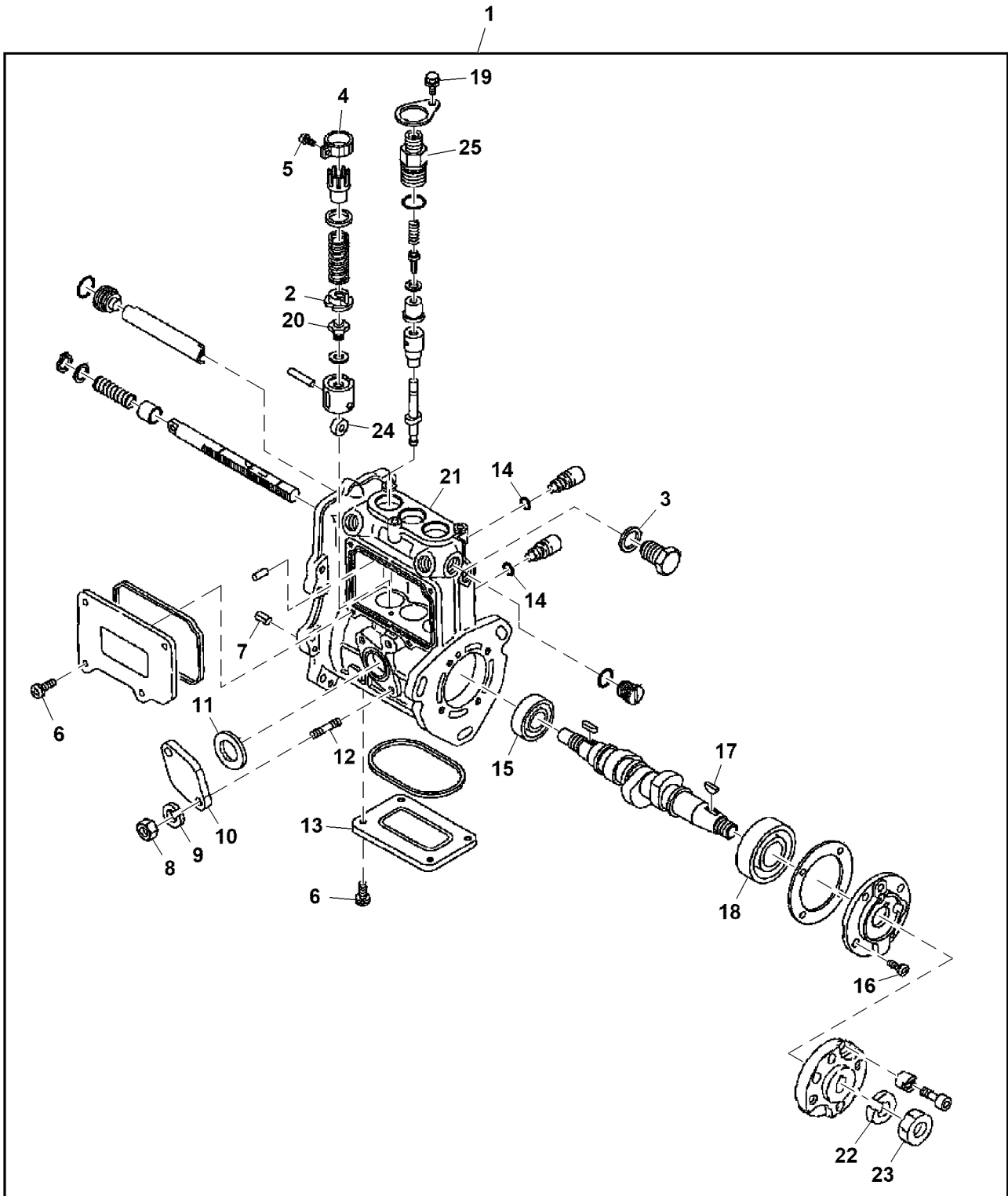


Key	Part No.	Part Name	Qty.	Serial No.	Remarks
1	AM879934	Fuel Filter	1		ORDER MIA882276
	MIA884996	Fuel Filter	1		SUB FOR MIA882276
2	14M7296	Flange Nut	2	060001-	M10
3	CH10082	Spring	1		
4	CH10571	O-Ring	1		
5	CH10084	Screw	1		
6	MIU804763	Filter Element	1		SUB FOR M801101
7	CH12790	Spring	1		USE WITH AM879934
	CH16888	Spring	1		USE WITH MIA882276 OR MIA884996
8	MIU804762	O-Ring	1		SUB FOR CH10060
9	T111401	Float	1		
10	M802636	Cap	1		
11	CH10106	Ring	1		
12	AM876266	Fuel Pump	1		
13	M802713	Bolt	1		
14	M811917	Bracket	1		
15	19M7865	Screw	2		M8 X 16
16	19M7862	Screw	2	060001-	M6 X 20
17	14M7397	Lock Nut	2	060001-	M6
18	TCU29888	Bracket	1	060001-	
19	19M7785	Screw	1	060001-	M10 X 25
20	14M7465	Lock Nut	1	060001-	M10
21	MIU803480	Bracket	1		Not Illustrated
22	CH10061	Rivet	4		Not Illustrated

Fuel Injection Pump (1/2)  
Fuel Injection Pump (1/2)  
Fuel Injection Pump (1/2)  
Fuel Injection Pump (1/2)  
Fuel Injection Pump (1/2)  
Fuel Injection Pump (1/2)



PU43358 A.1

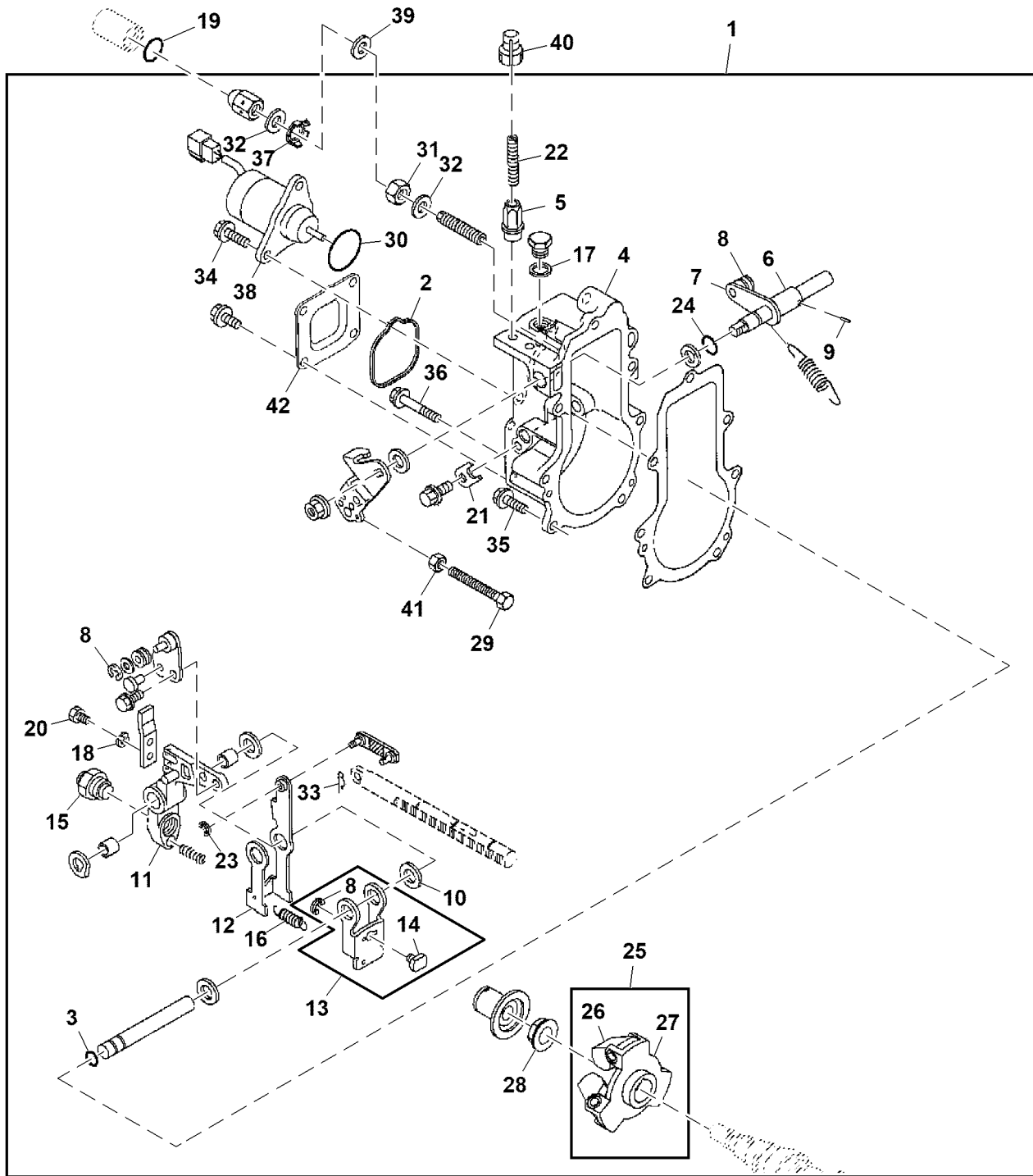


PU43358

Key	Part No.	Part Name	Qty.	Serial No.	Remarks
1	MIA880659	Fuel Injection Pump	1		USE WITH AM133451 OR MIA11975 OR MIA11976
	MIA883278	Fuel Injection Pump	1	-160000	USE WITH MIA13217 OR MIA12139 OR AUC13982 OR AUC16093
	.....	Fuel Injection Pump	1	160001-	
2	MIU800619	Retainer	3		
3	M811568	O-Ring	3		
4	M810064	Pinion	3		
5	M810065	Screw	3		
6	T110452	Screw With Washer	8		
7	34M7117	Spring Pin	2		5 X 10 mm
8	MIU801500	Nut	2		
9	12M7006	Lock Washer	2		6 mm
10	M801315	Cover	1		
11	M811963	Gasket	1		
12	CH15396	Stud	1		
13	M809670	Cover	1		
14	M89151	O-Ring	4		
15	CH14811	Ball Bearing	1		
16	MIU802525	Bolt	4		
17	M87843	Shaft Key	1		
18	M800495	Ball Bearing	1		
19	M807193	Bolt	3		
20	M811907	Bolt	3		
21	M811896	Housing	1		
22	12M7067	Lock Washer	1		12 mm
23	14M7275	Nut	1		M12
24	M811906	Roller	3		
25	MIU800364	Check Valve	3		

Fuel Injection Pump (2/2)  
Fuel Injection Pump (2/2)  
Fuel Injection Pump (2/2)  
Fuel Injection Pump (2/2)  
Fuel Injection Pump (2/2)  
Fuel Injection Pump (2/2)

PU49612 A.1

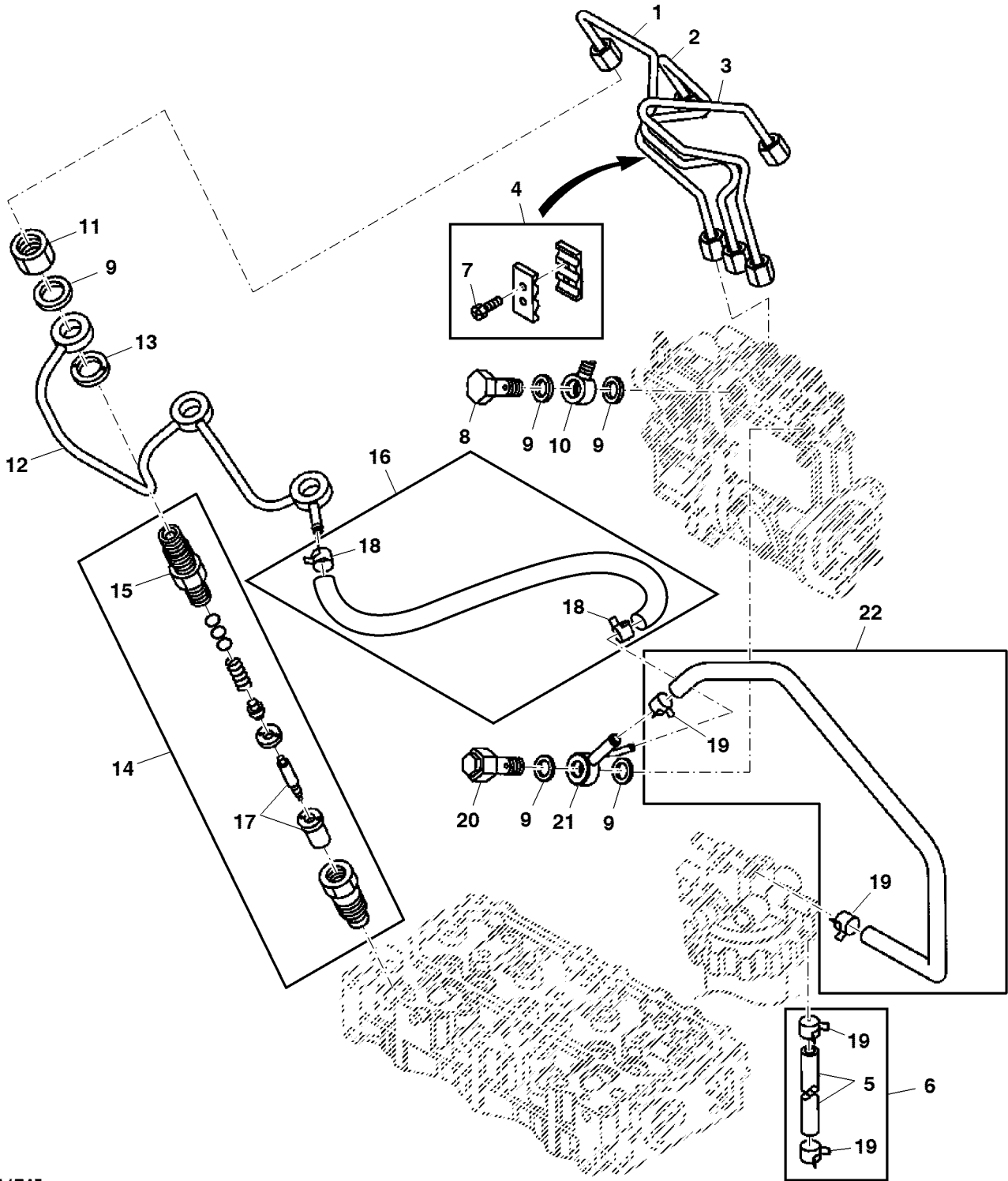


PU49612

Key	Part No.	Part Name	Qty.	Serial No.	Remarks
1	MIA880659	Fuel Injection Pump	1		USE WITH AM133451 OR MIA11975 OR MIA11976
	MIA883278	Fuel Injection Pump	1	-160000	USE WITH MIA13217 OR MIA12139 OR AUC13982 OR AUC16093
	.....	Fuel Injection Pump	1	160001-	
2	M811926	Gasket	1		Cover
3	M89151	O-Ring	1		
4	M811924	Case	1		
5	M810594	Nut	1		
6	M811932	Shaft	1		Lever
7	M811933	Hook	1		
8	CH13497	Snap Ring	4		
9	CH10537	Pin	1		
10	M89159	Spacer	1		
11	M811934	Lever	1		Tension
12	M811935	Lever	1		Governor
13	MIA881494	Lever Kit	1		Governor
14	MIU801501	Shifter	1		Governor
15	M811961	Lever Kit	1		
	T111874	Nut	1		
16	M810006	Spring	1		
17	T110750	Seal	1		
18	12M7064	Lock Washer	2		5 mm
19	MIU804787	O-Ring	1		SUB FOR CH10570
20	T114124	Bolt	2		
21	M89161	Retainer	1		Shaft
22	M801335	Bolt	1		
23	M807207	Snap Ring	1		
24	MIU804804	O-Ring	1		SUB FOR M801785
25	MIA881493	Weight Kit	1		
26	MIU801493	Weight	3		Governor
27	M811931	Support	1		Weight
28	MIU800815	Nut	1		
29	M801336	Bolt	1		
30	MIU800620	O-Ring	1		
31	CH15585	Nut	1		
32	M806438	Washer	2		SUB FOR M811567
33	M89162	Pin	1		
34	CH19140	Bolt	2		
35	19M7862	Screw	4		M6 X 20
36	M87878	Bolt	3		
37	M810061	Plate	1		
38	MIU805200	Solenoid	1		SUB FOR APPL M806808, Fuel Cut
39	CH19994	Gasket	1		
40	MIU800110	Cap	1		
41	MIU804501	Bolt	4		
42	MIU800345	Cover	1		Governor Case

Fuel Nozzles and Lines  
Fuel Nozzles and Lines  
Fuel Nozzles and Lines  
Fuel Nozzles and Lines  
Fuel Nozzles and Lines

PU11745 A.1



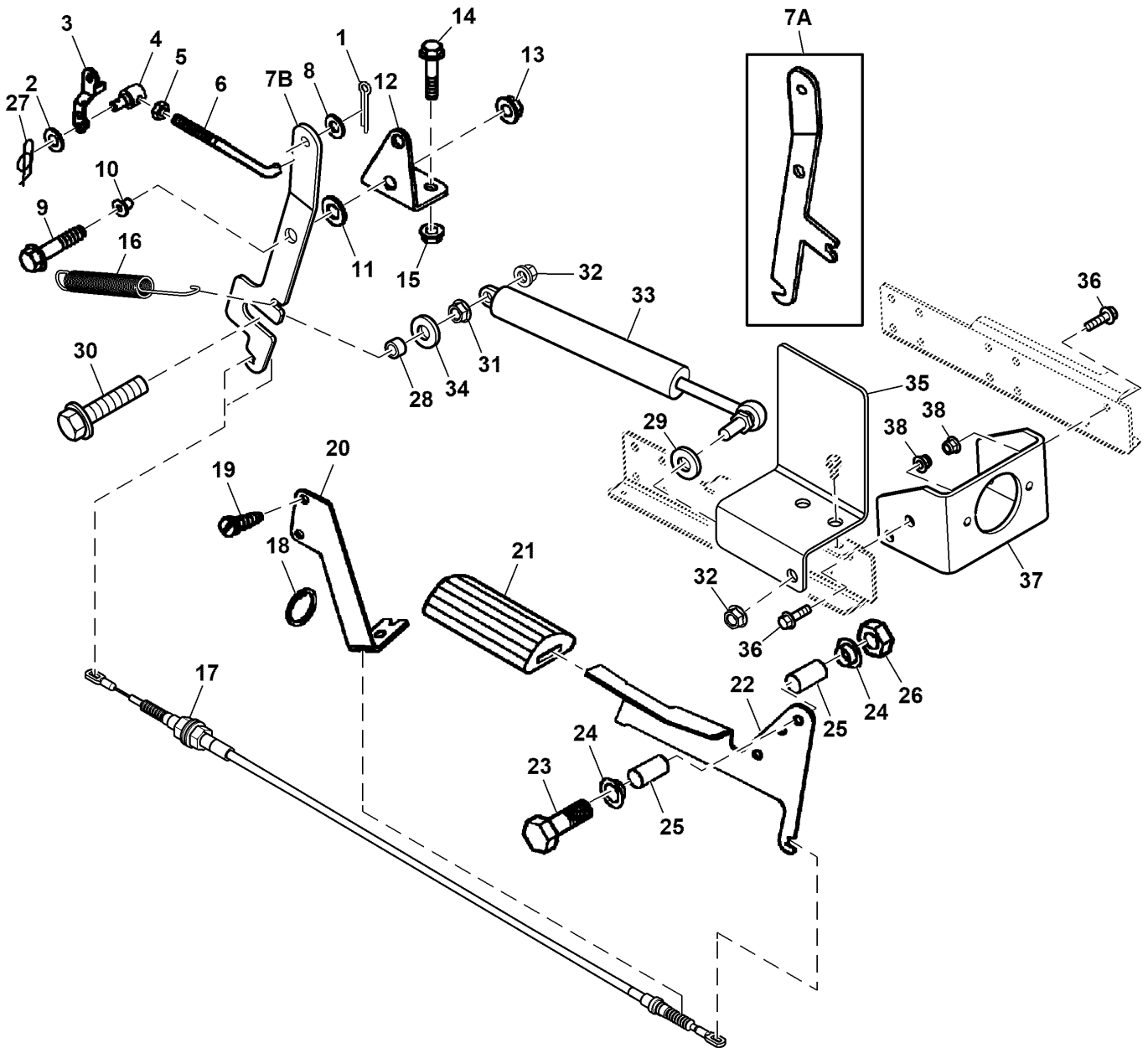
PU11745

Key	Part No.	Part Name	Qty.	Serial No.	Remarks
1	AM882455	Fuel Line	1	-080000	Injection no. 1
	MIA882343	Fuel Line	1	080001-	Injection no. 1
2	AM882456	Fuel Line	1	-080000	Injection no. 2
	MIA882344	Fuel Line	1	080001-	Injection no. 2
3	AM882457	Fuel Line	1	-080000	Injection no. 3
	MIA882345	Fuel Line	1	080001-	Injection no. 3
4	AM100752	Clamp	1		
5	MIA885646	Pipe Kit	1	080001-	SUB FOR M806515, MIA881290, Return
6	MIA880633	Pipe Kit	1	080001-	INCLUDES M806515, (2) TY22462 ;
7	M806745	Bolt	2		
8	M801108	Fitting	1		
9	M806438	Washer	7		SUB FOR M811567
10	CH17960	Fitting	1		
11	M87908	Nut	3		
12	AM882440	Pipe	1		Fuel Oil
13	M811968	Gasket	3		
14	AM882410	Nozzle Kit	3	-080000	
	MIA882280	Nozzle Kit	3	080001-	
15	M811806	Nozzle Holder	3		
16	MIU800453	Pipe	1		INCLUDES (2) CH10323;;SUB FOR MIA880087
17	M811810	Nozzle	3		
	MIA882281	Nozzle	3	080001-	USE WITH MIA12139
18	CH10323	Clamp	2		
19	TY22462	Clamp	4	080001-	
20	AM882245	Valve	1		INCLUDES 400R AND T110750
21	T114158	Fitting	1		Fuel Return
22	AM880403	Pipe Kit	1		INCLUDES (2) TY22462
23	400R	Ball	1		Not Illustrated
24	T110750	Seal	1		Not Illustrated

Throttle Control and Cable  
Throttle Control and Cable  
Throttle Control and Cable  
Throttle Control and Cable  
Throttle Control and Cable



PU48306 A.1



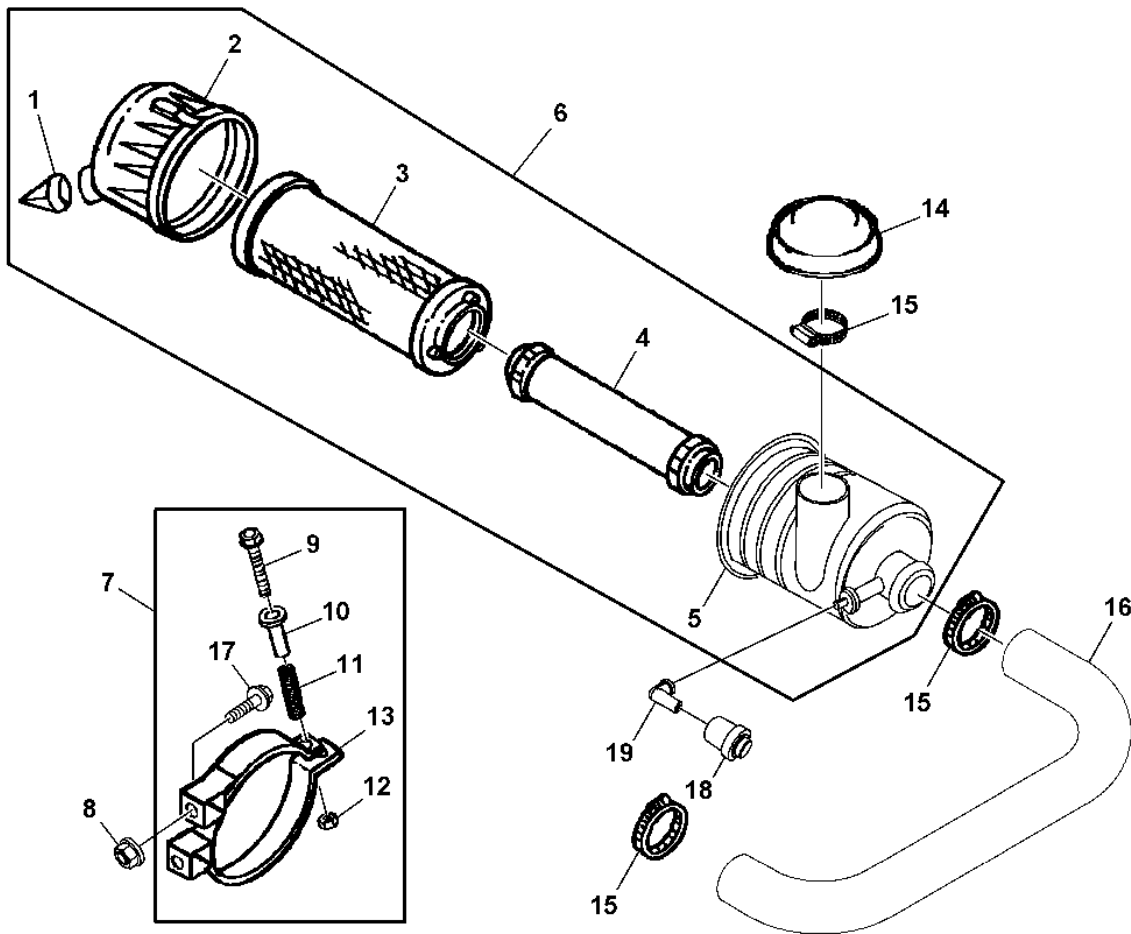
PU48306



Key	Part No.	Part Name	Qty.	Serial No.	Remarks
1	11M7080	Cotter Pin	1		2.500 X 16 mm
2	24M7139	Washer	1		6.400 X 18 X 1.600 mm
3	M801783	Lever	1		
4	M141022	Link	1		
5	14M7272	Nut	1		M6
6	M129875	Hook Bolt	1		
7A	M144552	Arm	1	-030000	Throttle Diesel
7B	TCU24827	Arm	1	030001-	(A), Throttle Diesel
8	24M7088	Washer	2		6.600 X 12 X 1.600 mm
9	19M7862	Screw	1		M6 X 20, (A)
10	M131051	Bushing	1		(A)
11	Z41659	Washer	1		(A)
12	M129932	Bracket	1		
13	14M7397	Lock Nut	1		M6, (A)
14	19M7866	Screw	2		M8 X 20
15	14M7396	Lock Nut	2		M8
16	M141025	Extension Spring	1		Throttle
17	M144551	Push Pull Cable	1		Control, Accelerator
18	R26871	Snap Ring	1		
19	37M7458	Screw	2		M6 X 12
20	M143694	Support	1		
21	M114247	Pad	1		
22	M141848	Pedal	1		
23	19M7803	Screw	1		M8 X 70
24	M129855	Washer	2		
25	M42812	Spacer	2		
26	14M7396	Lock Nut	1		M8
27	TCU14113	Pin	1		ORDER TCU33333
	TCU33333	Pin	1		
28	TCU12355	Spacer	1		(A)
29	24H1292	Washer	1		11/32" X 3/4" X 0.120", (A)
30	19M8291	Screw	1		M8 X 35, (A)
31	14M7298	Flange Nut	1		M8, (A)
32	14M7396	Lock Nut	2		M8, (A)
33	TCA18946	Gas Operated Cylinder	1		(A), Absorber
34	24H1292	Washer	1		11/32" X 3/4" X 0.120", (A)
35	TCU24833	Bracket	1		(A)
36	19M7835	Screw	4		M10 X 35
37	TCU28974	Bracket	1		
38	14M7465	Lock Nut	4		M10
39	TCA19177	Kit	1		Not Illustrated, INCLUDES PARTS MARKED (A); Throttle Dampener
40	TCU33336	Pin	1		Not Illustrated

Air Cleaner  
Air Cleaner  
Air Cleaner  
Air Cleaner  
Air Cleaner  
Air Cleaner

PU00938 A.1

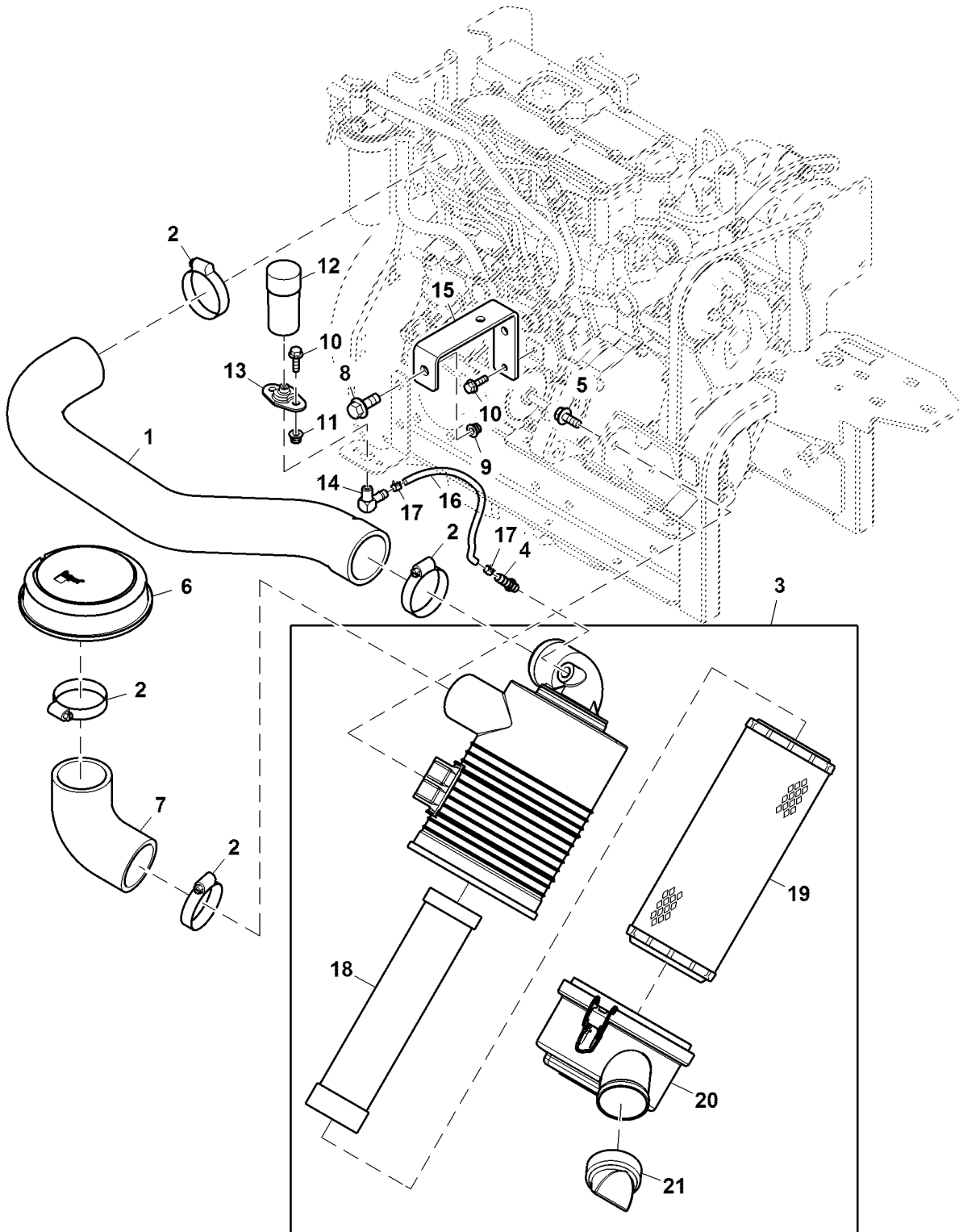


PU00938

Key	Part No.	Part Name	Qty.	Serial No.	Remarks
1	M89679	Ejector	1		Dust
2	.....	End	1		ORDER AM125696
3	M113621	Filter Element	1		Primary
4	M123378	Filter Element	1		Secondary
5	.....	Cover	1		ORDER AM125696
6	AM125696	Air Cleaner	1		
7	AM129742	Bracket	1		
8	14M7396	Lock Nut	2		M8
9	.....	Screw	1		ORDER AM129742
10	.....	Spacer	1		ORDER AM129742
11	.....	Spring	1		ORDER AM129742
12	.....	Nut	1		ORDER AM129742
13	.....	Bracket	1		ORDER AM129742
14	TCA17285	Cap	1		ORDER TCU35589 AND TY22470
	TCU35589	Cap	1		
15	TY22470	Clamp	3		
16	TCU21601	Hose	1		
17	19M7867	Screw	2		M8 X 25
18	AT73678	Air Restriction Indicator	1		
19	15H197	Elbow Fitting	1		1/8"

- Air Cleaner (080001 -)
- Air Cleaner (080001 -)
- Air Cleaner (080001 -)
- Air Cleaner (080001 -)
- Air Cleaner (080001 -)
- Air Cleaner (080001 -)

PU18110 A.1



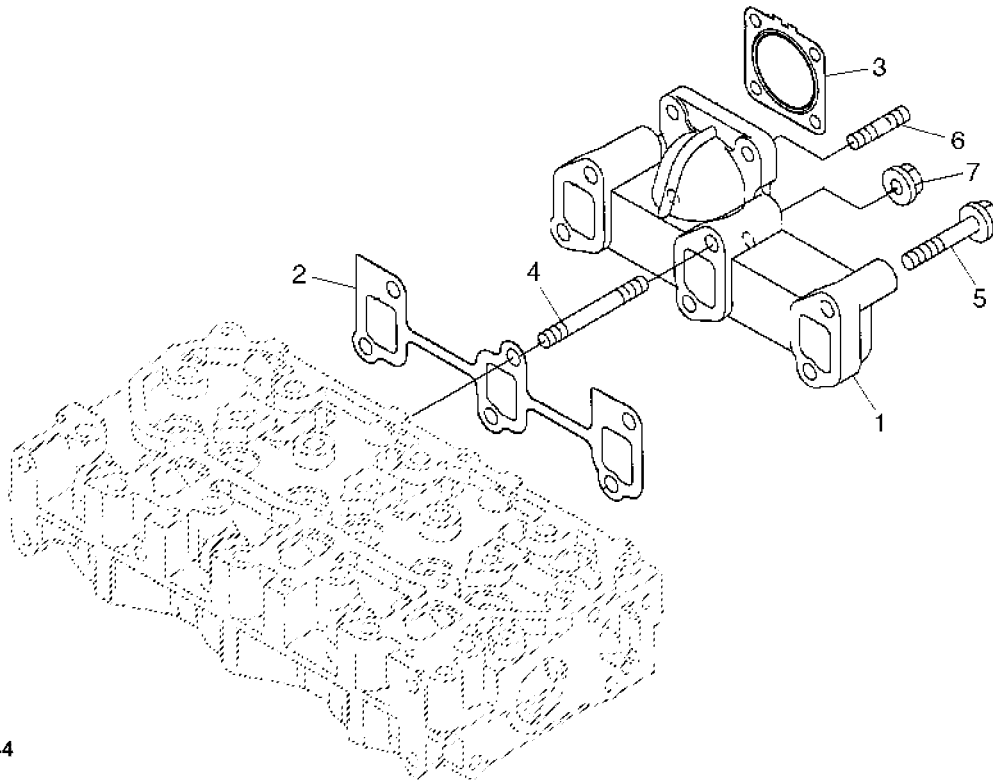
PU18110

Key	Part No.	Part Name	Qty.	Serial No.	Remarks
1	TCU35532	Hose	1		
2	TY22470	Clamp	4		Worm Gear
3	TCA23673	Air Cleaner	1		
4	X125HBL-5-2	Hose Fitting	1		
5	19M7866	Screw	2		M8 X 20
6	TCU35589	Cap	1		Intake
7	TCU35533	Hose	1		
8	19M7785	Screw	2		M10 X 25
9	14M7465	Lock Nut	2		M10
10	19M7862	Screw	2		M6 X 20
11	14M7397	Lock Nut	2		M6
12	AT118553	Air Restriction Indicator	1		
13	TCU36573	Flange	1		Indicator
14	TCU37651	Fitting	1		
15	TCU29888	Bracket	1		Fuel Filter
16	.....	Hose	1		CTL 457 mm, MF UC24982 OR M154056 OR M175326, Air Restriction Indicator to Air Cleaner
17	TY22462	Clamp	2		
18	M131803	Filter Element	1		Secondary
19	M131802	Filter Element	1		Primary
20	AM126680	Bowl	1		
21	AM108172	Drain Valve	1		Vacuum

Exhaust Manifold  
 Exhaust Manifold  
 Exhaust Manifold  
 Exhaust Manifold  
 Exhaust Manifold  
 Exhaust Manifold



PU39444 A.1

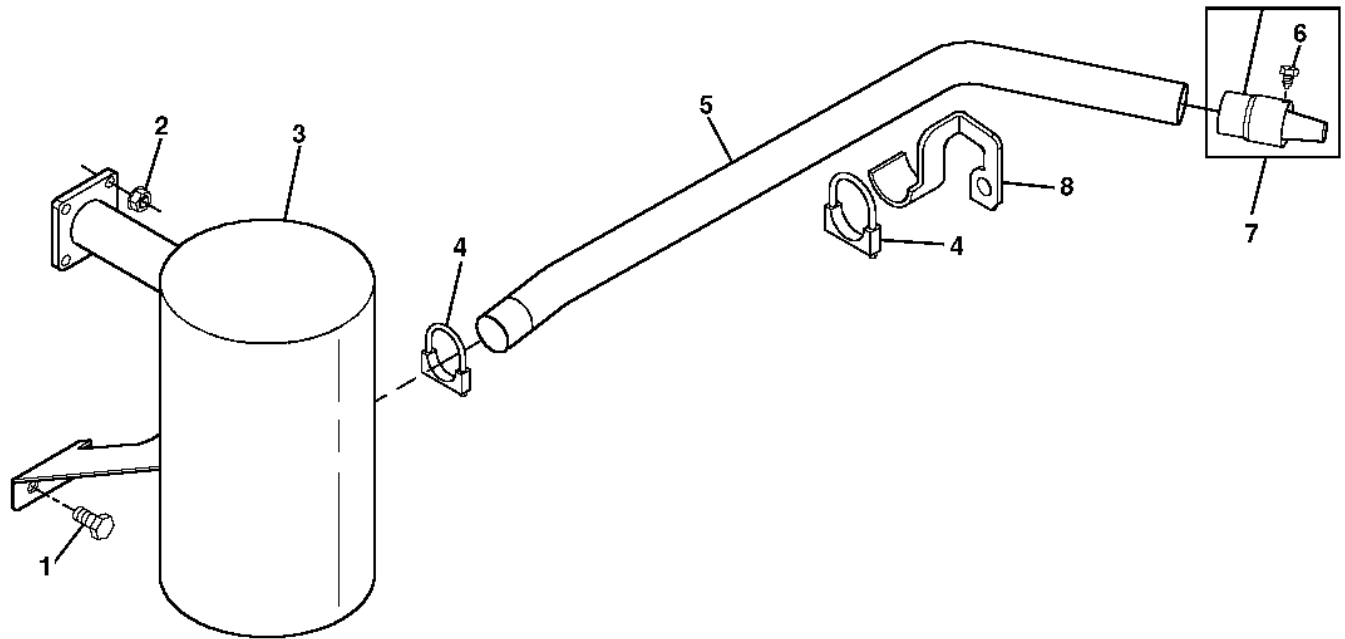


PU39444

Key	Part No.	Part Name	Qty.	Serial No.	Remarks
1	MIU800255	Exhaust Manifold	1		
2	M811857	Gasket	1		Exhaust Manifold
3	M811089	Gasket	1		SUB FOR M811809, Muffler
4	M811318	Stud	2		
5	MIU802947	Bolt	4		SUB FOR M811448
6	M808645	Stud	4		
7	14M7298	Flange Nut	2		M8

Muffler ( - 080000)  
Muffler ( - 080000)  
Muffler ( - 080000)  
Muffler ( - 080000)  
Muffler ( - 080000)  
Muffler ( - 080000)

MP21524 A.1

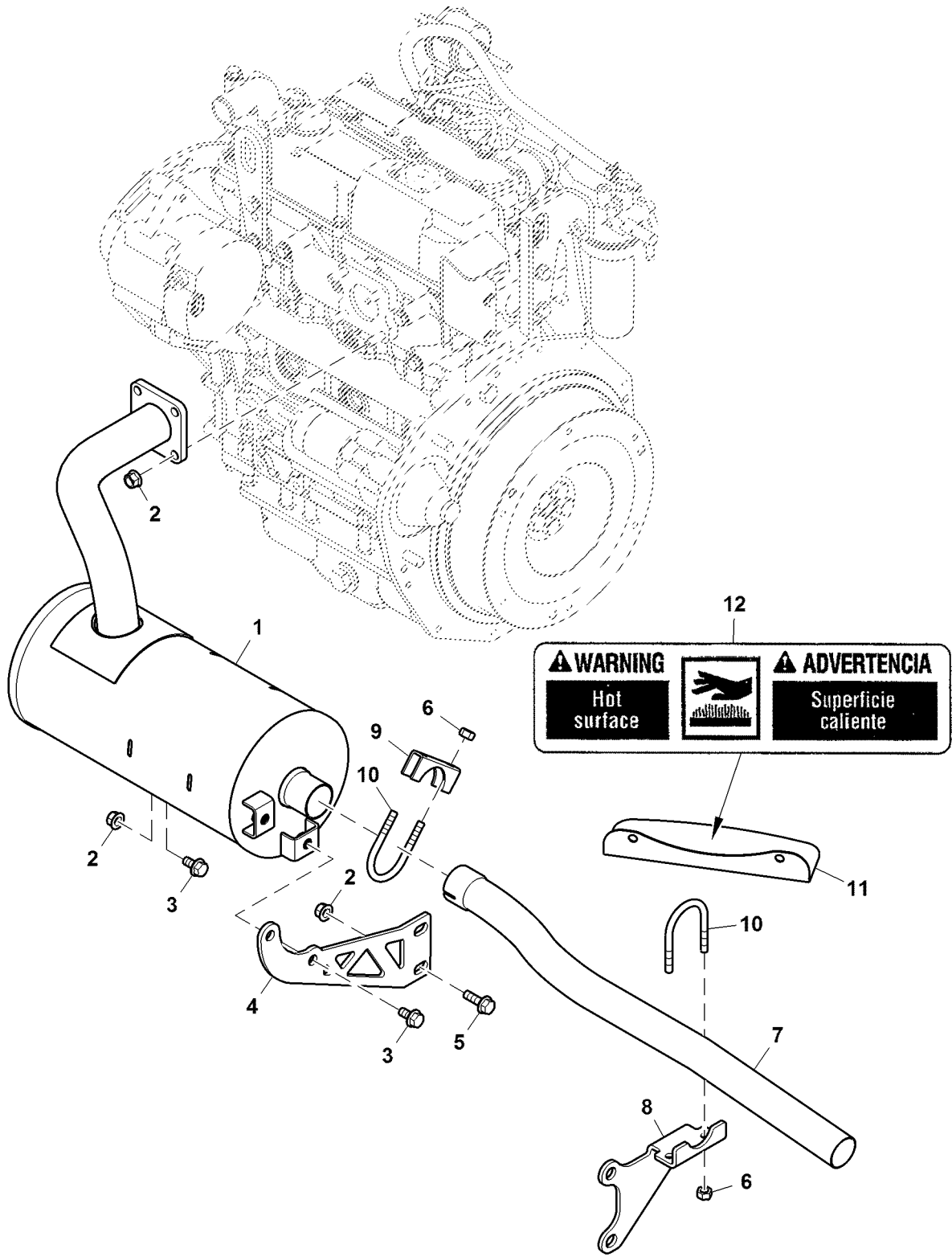


**MP21524**

Key	Part No.	Part Name	Qty.	Serial No.	Remarks
1	19M7785	Screw	2		M10 X 25
2	H137328	Lock Nut	4		
3	TCA16614	Muffler	1		
4	AM31268	Clamp	2		
5	M135242	Exhaust Pipe	1		
6	37H228	Screw	1		
7	AM108146	Spark Arrestor Kit	1		INCLUDES M158299 AND 37H228
8	M141437	Bracket	1		Tailpipe
9	M158299	Spark Arrestor Kit	1		Not Illustrated

- Muffler (080001 - )
- Muffler (080001 - )
- Muffler (080001 - )
- Muffler (080001 - )
- Muffler (080001 - )
- Muffler (080001 - )

PU28946 A.1



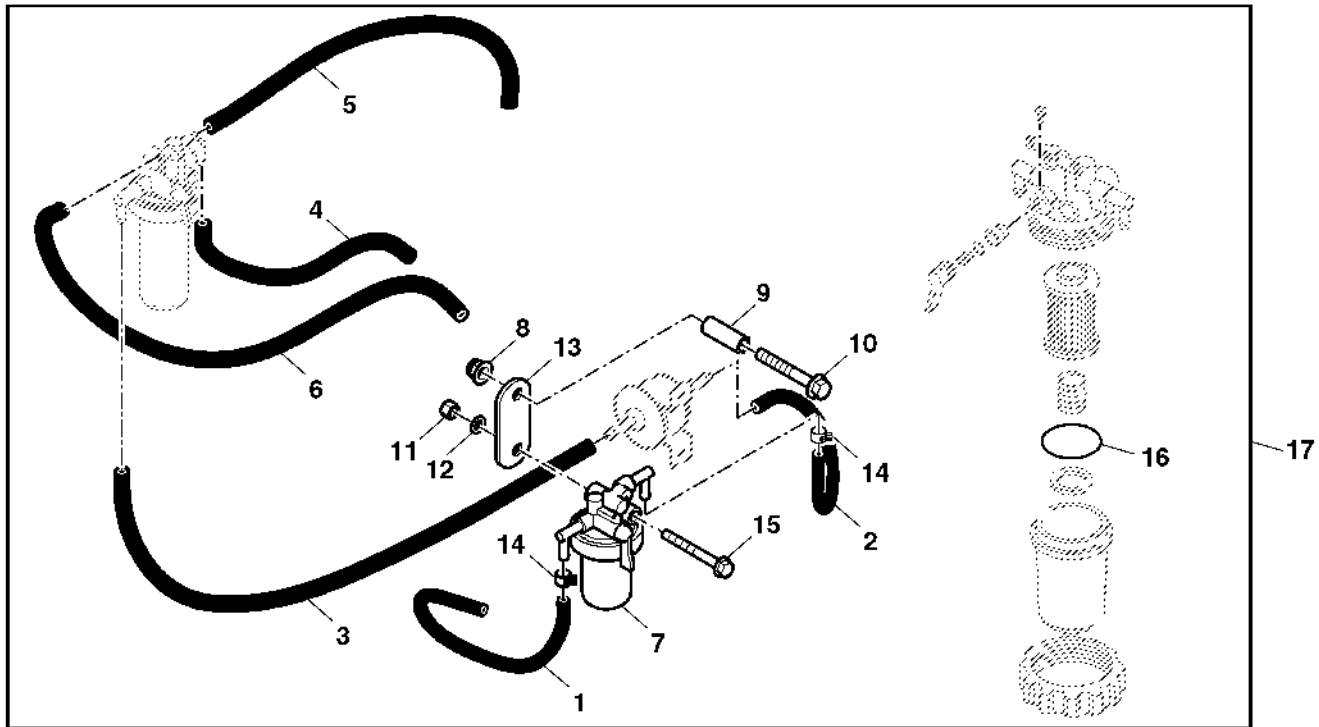
PU28946



Key	Part No.	Part Name	Qty.	Serial No.	Remarks
1	TCA25273	Muffler	1		SUB FOR TCA22442
2	H137328	Lock Nut	6		
3	19M7865	Screw	8		M8 X 16
4	TCU32674	Bracket	1		
5	19M7867	Screw	2		M8 X 25
6	14H785	Nut	4		5/16"
7	TCU28928	Exhaust Pipe	1		
8	TCU37655	Bracket	1		Tailpipe Support
9	N208574	Clamp	1		
10	N208573	U-Bolt	2		
11	TCU30554	Bracket	1		
12	TCU13554	Label	1		Warning, Hot surfaces, English / Spanish

Hose B20, Optional  
 Hose B20, Optional  
 Hose B20, Optional  
 Hose B20, Optional  
 Hose B20, Optional  
 Hose B20, Optional

PU02876 A.1

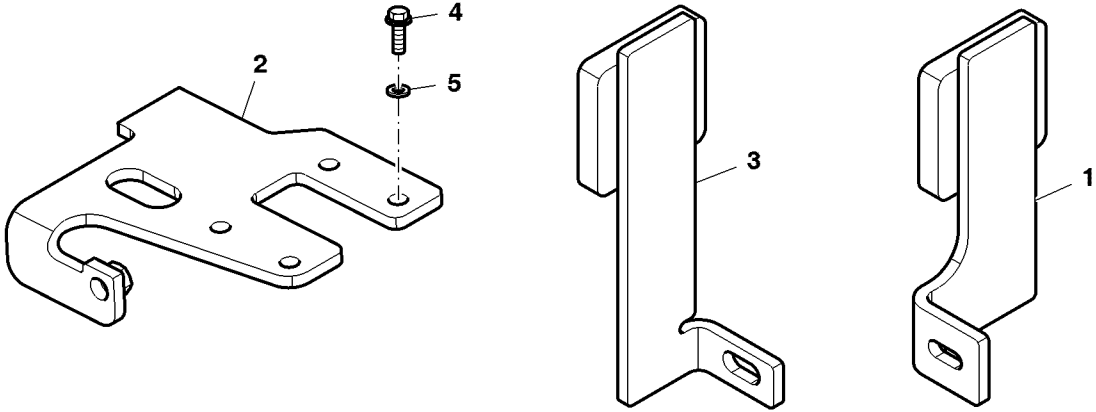


PU02876

Key	Part No.	Part Name	Qty.	Serial No.	Remarks
1	.....	Hose	1		MF TCU27779; Fuel Tank to Fuel Seperator
2	.....	Hose	1		MF TCU27779; Fuel Seperator to Transfer Pump
3	.....	Hose	1		MF TCU27779; Transfer Pump to Fuel Filter
4	.....	Hose	1		MF TCU27779; Fuel Filter to Injector Pump
5	.....	Hose	1		MF TCU27779; Injector Pump to Filter Air Bleed
6	.....	Hose	1		MF TCU27779; Filter Air Bleed to Fuel Tank
7	T110808 MIA883231	Separator Separator	1 1		ORDER MIA883231 Water
8	14M7400	Lock Nut	1		M10
9	TCU22341	Spacer	1		
10	19M7809	Screw	1		M10 X 70
11	E64256	Lock Nut	1		
12	24M7055	Washer	1		8.400 X 16 X 1.600 mm
13	T177753	Strap	1		
14	R56101	Clip	2		
15	19M7803	Screw	1		M8 X 70
16	MIU801295	O-Ring	2		Fuel Filter and Water Seperator
17	TCA19916	Seal Kit	1		MARKED 3TNV70; INCLUDES TCU27871 AND MIA881295; Biodiesel
18	MIA881295	Hose Kit	1		Not Illustrated, Fuel Injector Return

Frame and Bracket  
 Frame and Bracket  
 Frame and Bracket  
 Frame and Bracket  
 Frame and Bracket

PU12557 A.1



**PU12557**

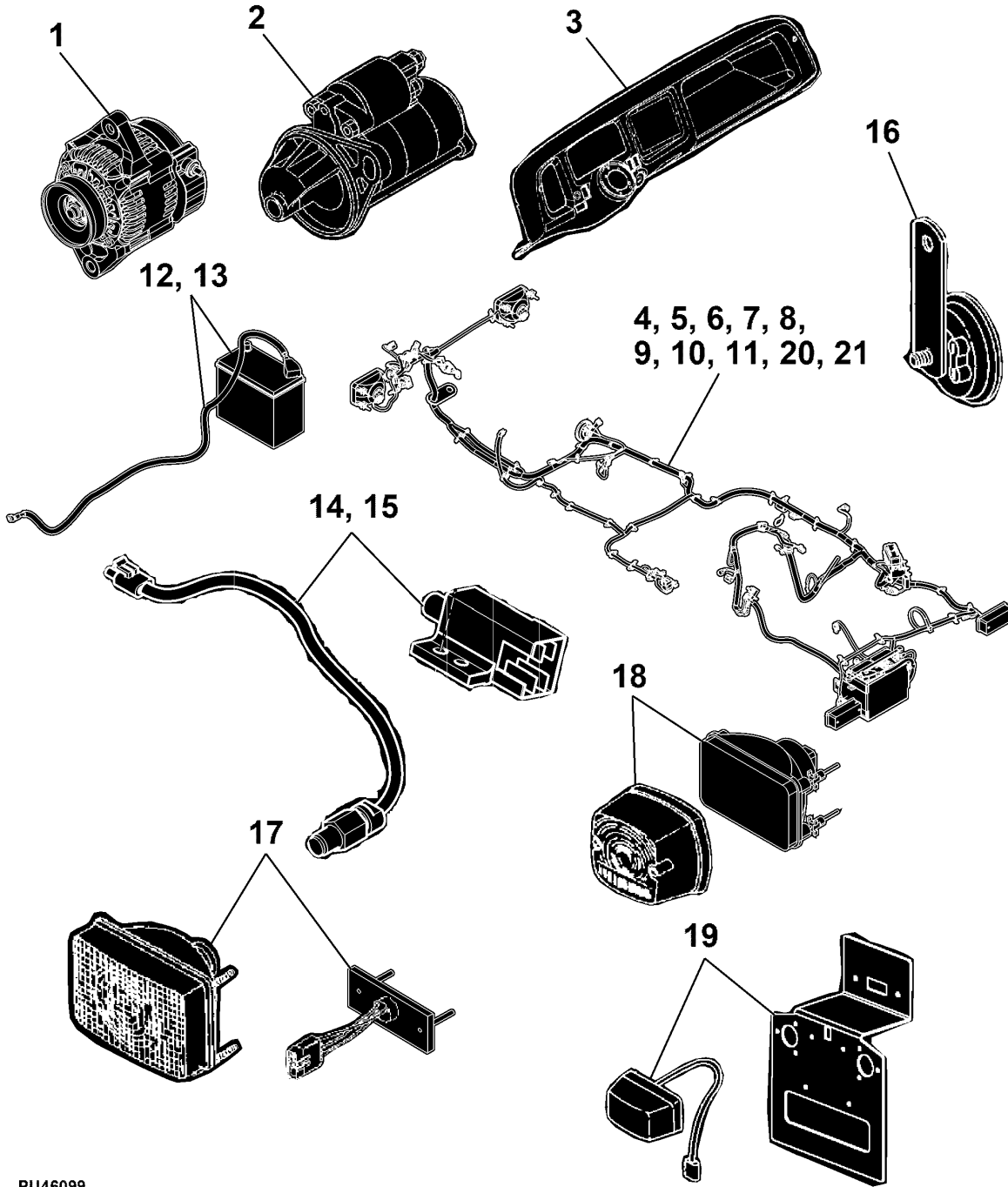
Key	Part No.	Part Name	Qty.	Serial No.	Remarks
1	TCA22512	Stop	1		RH
2	TCA22500	Bracket	1		Water Separator
3	TCA22511	Stop	1		LH
4	19M7866	Screw	4		M8 X 20
5	24M7298	Washer	4		8.400 X 25 X 2 mm



Sectional Pictorial Index  
 Index d'illustrations par sections.  
 Gruppenbildindex  
 Indice illustrato delle sezioni  
 Índice de ilustraciones por secciones  
 Avsnittsbildregister

PU46099 A.1

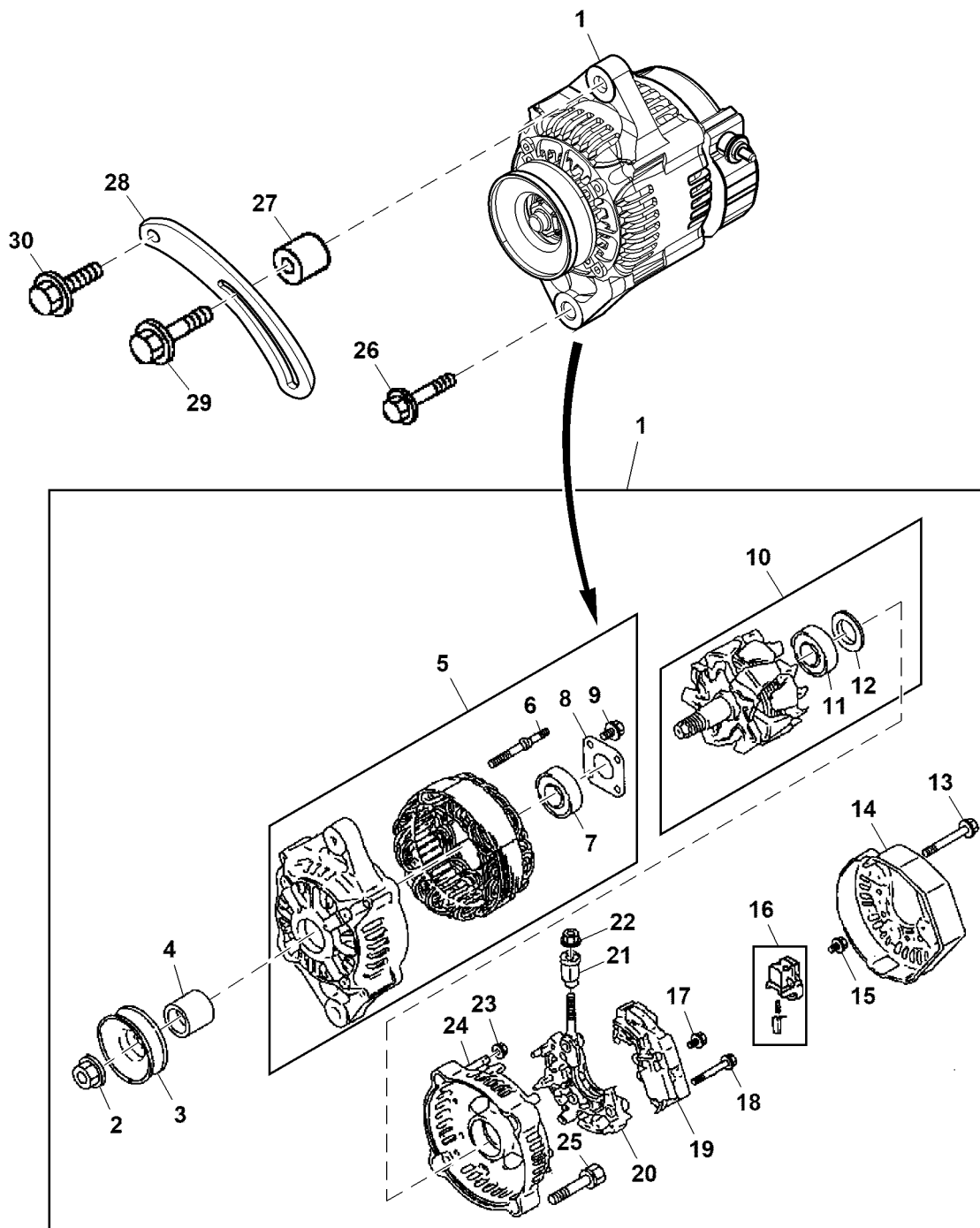
1-	122
2-	124
3-	126
4-	128
5-	130
6-	138
7-	132
8-	133
9-	134
10-	136
11-	140
12-	146
13-	147
14-	148
15-	150
16-	152
17-	154
18-	156
19-	158
20-	142
21-	144



PU46099

Alternator and Voltage Regulator  
Alternator and Voltage Regulator  
Alternator and Voltage Regulator  
Alternator and Voltage Regulator  
Alternator and Voltage Regulator

PU43360 A.1

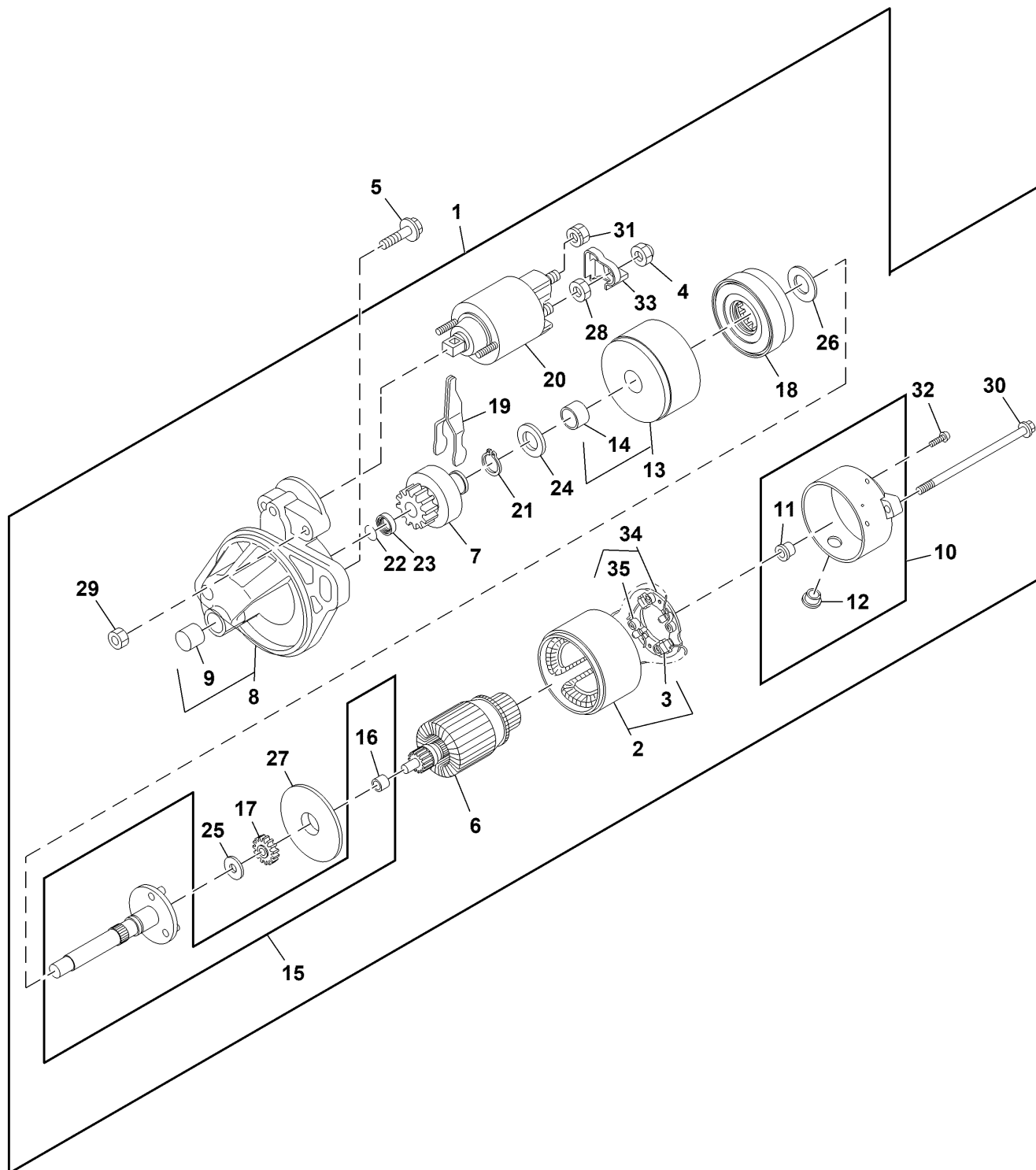


PU43360

Key	Part No.	Part Name	Qty.	Serial No.	Remarks
1	LVA12467	Alternator	1		55 A, SUB FOR M809216 OR MIA884643; ORDER TA30513
	TA30513	Alternator	1		12V, 55A
2	M805142	Nut	1		USE WITH LVA12467 OR M809216
	M806786	Nut	1		USE WITH MIA884643
3	M805141	Pulley	1		USE WITH LVA12467 OR M809216
	M806785	Pulley	1		USE WITH MIA884643
4	M806787	Bushing	1		
5	AM880510	Frame Kit	1		USE WITH LVA12467 OR M809216
	M810616	Frame Kit	1		USE WITH MIA884643
6	M805138	Stud	2		
7	M805135	Bearing	1		
8	M805136	Plate	1		
9	M805137	Screw	4		
10	AM880509	Rotor Kit	1		
11	M805133	Bearing	1		
12	M805134	Cover	1		Rotor
13	M805149	Bolt	3		
14	MIU802728	Cover	1		SUB FOR AM880515
15	M805147	Screw	6		
16	AM880513	Holder	1		
17	M805148	Screw	1		
18	M805150	Screw	2		
19	MIA885226	Regulator	1		SUB FOR APPL M808668 OR LVU14116
20	AM880512	Holder	1		
21	M805152	Bushing	1		
22	MIU800638	Nut	1		SUB FOR APPL M88124
23	M805153	Nut	2		
24	AM880511	Frame	1		
25	M805151	Bolt	2		
26	RG60067	Bolt	1		
27	M808678	Spacer	1		
28	MIU800690	Adjuster	1		Belt
29	MIU800002	Bolt	1		
30	19M7866	Screw	1		M8 X 20

Starter Motor  
Starter Motor  
Starter Motor  
Starter Motor  
Starter Motor  
Starter Motor

PU37748 A.1



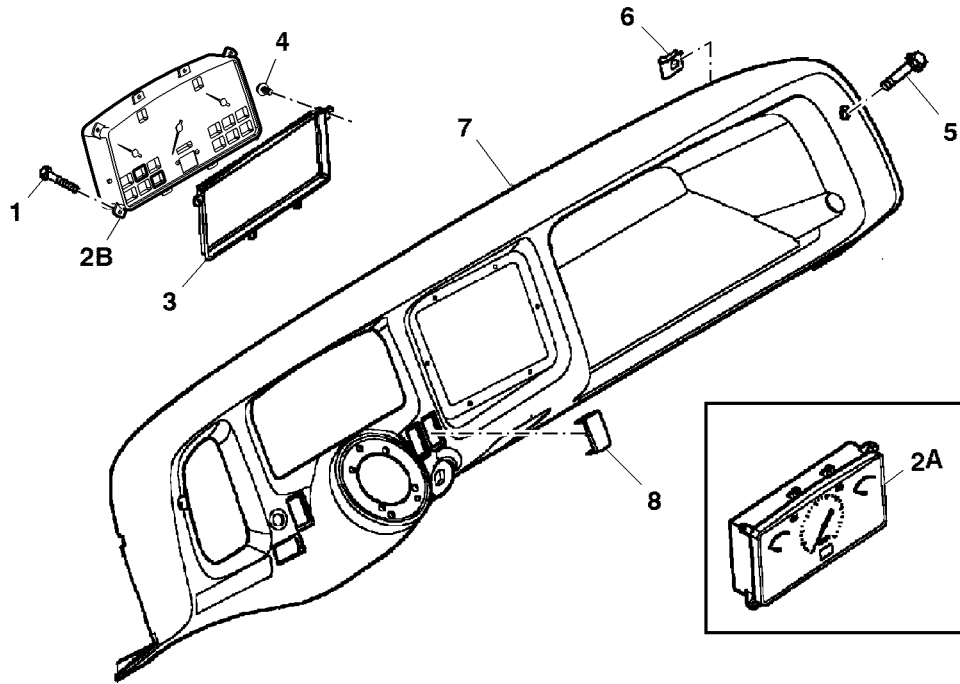
PU37748



Key	Part No.	Part Name	Qty.	Serial No.	Remarks
1	M809215	Starter Motor	1		
	SE501858	Starter Motor Reman	1		REMAN FOR M809215
2	MIU804701	Yoke Kit	1		
3	MIU804702	Carbon Brush Holder	2		
4	MIU804730	Nut	1		
5	T111563	Bolt	2		
6	MIU804705	Armature	1		
7	MIU804706	Clutch	1		
8	MIU804707	Housing Kit	1		
9	MIU804708	Needle Bearing	1		
10	MIU804709	Frame Kit	1		
11	MIU804710	Bearing	1		
12	M808305	Cover	1		
13	MIU804711	Bearing Kit	1		
14	MIU804712	Bearing	1		
15	MIU804713	Shaft Kit	1		
16	MIU804714	Bearing	1		
17	MIU804715	Gear	3		
18	MIU804716	Gear	1		
19	MIU804717	Lever	1		
20	MIU804718	Switch	1		
21	MIU804719	Snap Ring	1		
22	MIU804720	Snap Ring	1		
23	MIU804721	Nut	1		
24	MIU804722	Washer	1		
25	MIU804723	Washer	1		
26	MIU804724	Washer	1		
27	MIU804725	Plate	1		
28	MIU804726	Nut	1		
29	MIU804727	Nut	2		
30	RG60663	Bolt	2		
31	M806018	Valve	1		
32	M808676	Screw	2		SUB FOR APPL MIU804728
33	MIU804729	Cover	1		
34	MIU804703	Holder Kit	1		
35	MIU804704	Spring	4		

Instrument Panel  
Instrument Panel  
Instrument Panel  
Instrument Panel  
Instrument Panel  
Instrument Panel

PU21688 A.1

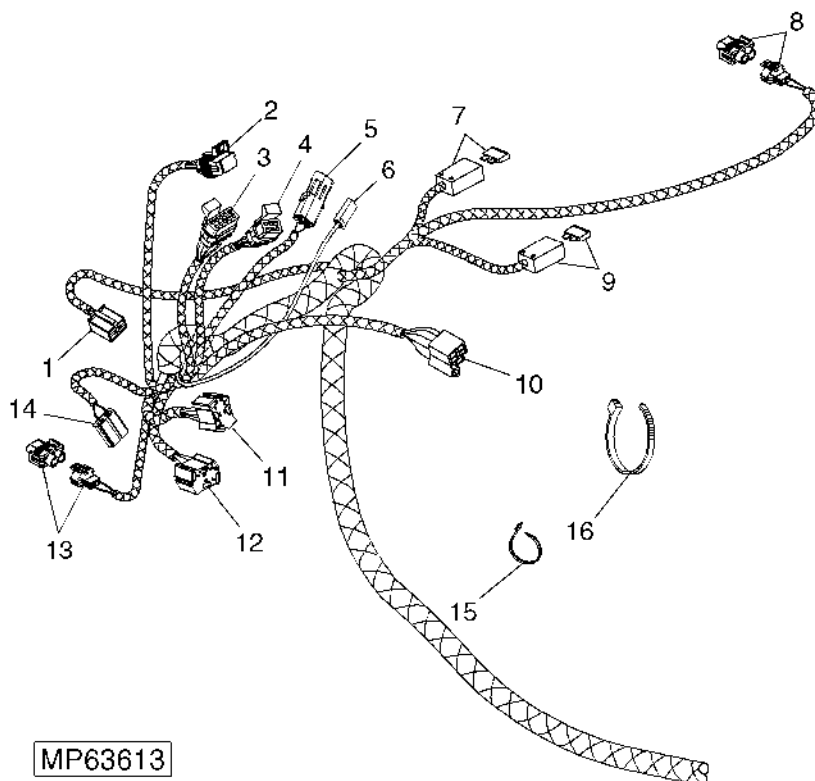


PU21688

Key	Part No.	Part Name	Qty.	Serial No.	Remarks
1	37M7222	Screw	8		
2A	TCA16599	Instrument Cluster	1	-060000	INCLUDES (11) 57M7926
2B	TCA19583	Instrument Cluster	1	060001-	
3	M130223	Cover	1		Gauge
4	TCU33409	Screw	4		SUB FOR M76436
5	19M8649	Screw	2		M6 X 20
6	M84972	Nut	2		
7	M144128	Panel	1		SUB FOR VGA10738, Dash W/ Glove Box
8	M115279	Plug	3		

Chassis Wiring Harness, Front ( - 060000)  
 Chassis Wiring Harness, Front ( - 060000)  
 Chassis Wiring Harness, Front ( - 060000)  
 Chassis Wiring Harness, Front ( - 060000)  
 Chassis Wiring Harness, Front ( - 060000)  
 Chassis Wiring Harness, Front ( - 060000)

MP63613 A.1



MP63613

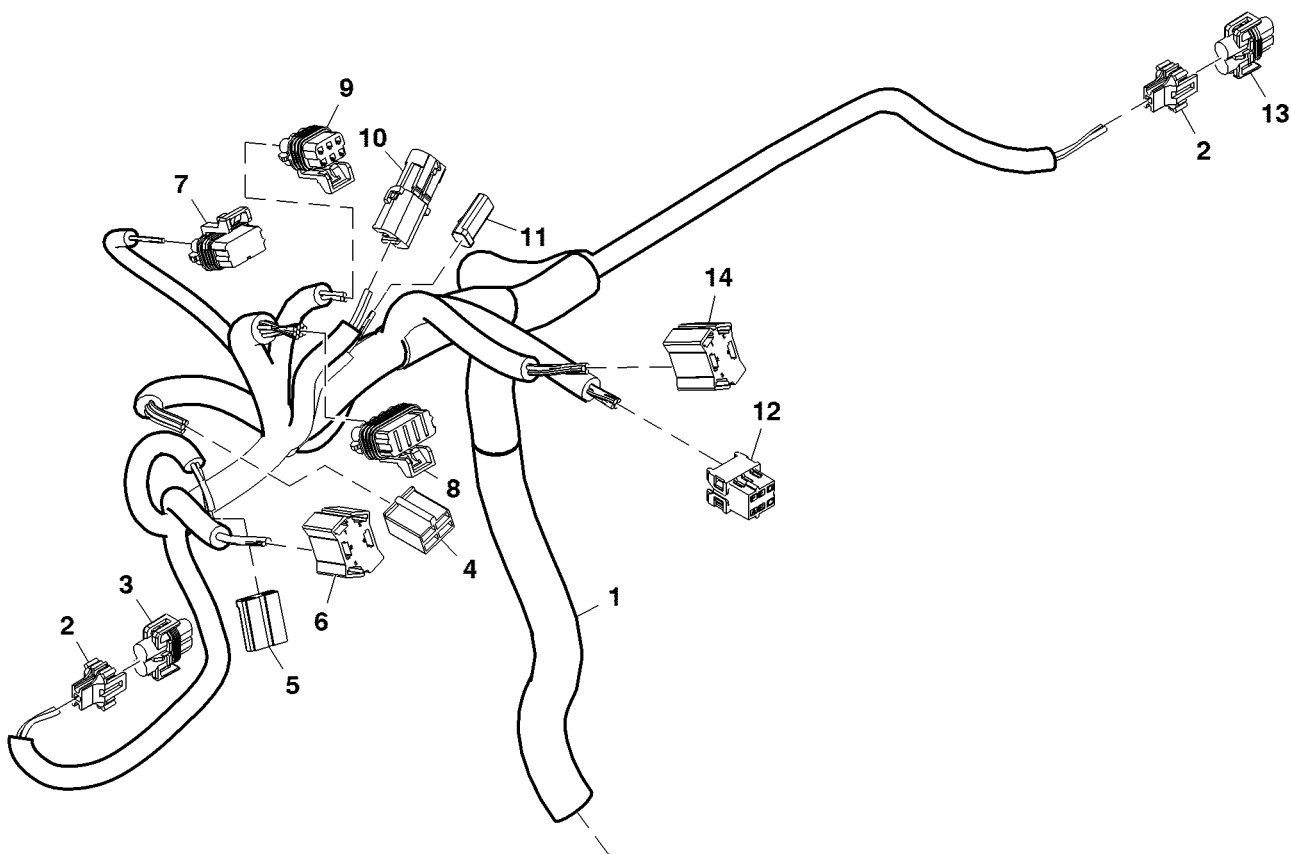
Key	Part No.	Part Name	Qty.	Serial No.	Remarks
1	T24167	Electrical Connector Assy	1		Brake Switch
2	57M7261	Elec. Connector Housing	1		Instrument Cluster
	57M7259	Elec. Connector Seal	6		Cavity Plug
3	57M7262	Elec. Connector Housing	1		Instrument Cluster
	57M8907	Elec. Connect Locking Device	1		
4	57M7260	Elec. Connector Housing	1		Instrument Cluster
	57M7291	Electrical Connector Assy	1		
	57M7259	Elec. Connector Seal	3		Cavity Plug
5	R78053	Electrical Connector Assy	1		Auxilliary Speed Output
6	57M8815	Elec. Connector Housing	1		SUB FOR T28583, Auxilliary Power
7	AM108845	Harness Kit	1		Single Fuse Holder
	99M7069	Fuse	1		25 A
8	57M7344	Elec. Connector Housing	1		Headlight, RH
	57M7371	Electrical Connector Assy	1		
9	AM108845	Harness Kit	1		Single Fuse Holder
	57M7121	Fuse	1		10 A
10	57M9482	Elec. Connector Terminal	1		Ignition Switch
11	57M9361	Elec. Connector Housing	1		Headlight Switch
12	57M9361	Elec. Connector Housing	1		Work Light Switch
13	57M7344	Elec. Connector Housing	1		Headlight, LH
	57M7371	Electrical Connector Assy	1		
14	R77480	Electrical Connector Assy	1		Horn Switch
15	H77698	Tie Band	1		
16	R76477	Tie Band	1		
17	TCA16602	Wiring Harness	1		Not Illustrated, ORDER TCA20815
	TCA20815	Wiring Harness	1		Not Illustrated



Chassis Wiring Harness, Front (060001 - 120000)  
Chassis Wiring Harness, Front (060001 - 120000)  
Chassis Wiring Harness, Front (060001 - 120000)  
Chassis Wiring Harness, Front (060001 - 120000)  
Chassis Wiring Harness, Front (060001 - 120000)  
Chassis Wiring Harness, Front (060001 - 120000)



PU14272 A.1

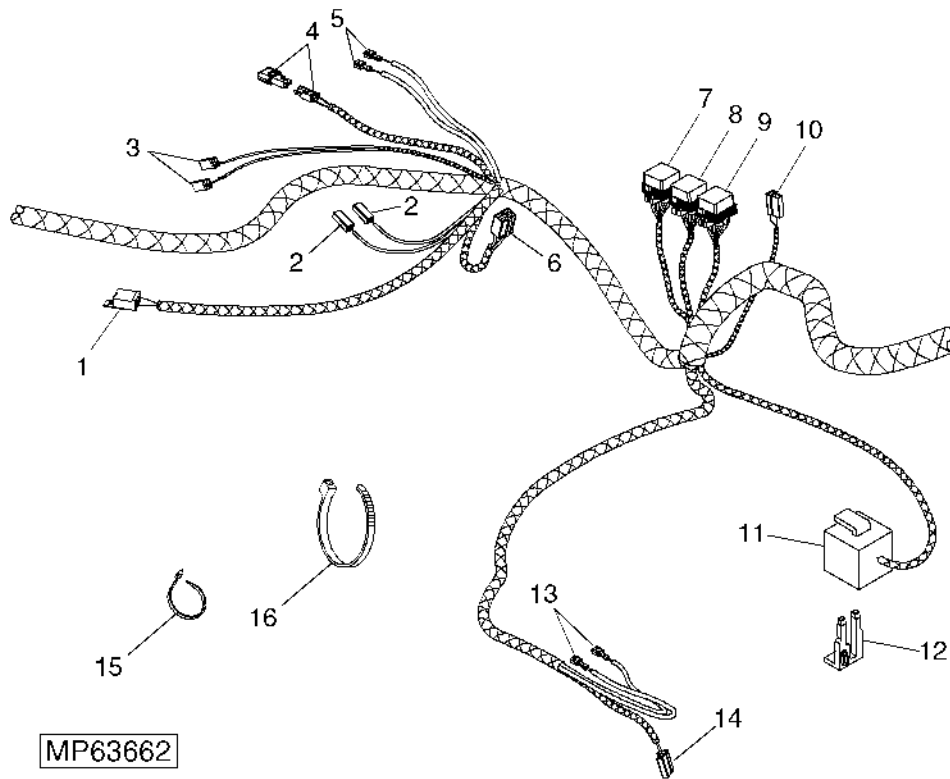


PU14272

Key	Part No.	Part Name	Qty.	Serial No.	Remarks
1	TCA20189	Wiring Harness	1	-080000	Front
	TCA24865	Wiring Harness	1	080001-	ORDER AUC15435
	AUC15435	Wiring Harness	1		ORDER AUC15957
	AUC15957	Wiring Harness	1		Components on Separate Page
2	57M7371	Electrical Connector Assy	2		
3	57M7344	Elec. Connector Housing	1		Headlight, LH
4	57M10489	Elec. Connector Cable Seal	2		
	57M7297	Elec. Connector Terminal	2		
	T24167	Electrical Connector Assy	1		Brake Switch
5	57M9632	Elec. Connector Terminal	2		
	57M10780	Elec. Connector Terminal	3		
	R77480	Electrical Connector Assy	1		Horn Switch
6	57M7886	Elec. Connector Terminal	2		
	57M8809	Elec. Connector Terminal	1		
	57M9361	Elec. Connector Housing	1		Headlight Switch
7	57M8310	Elec. Connector Terminal	1		
	57M9630	Elec. Connector Terminal	1		
	57M7261	Elec. Connector Housing	1		Instrument Cluster
	57M7296	Elec. Connector Accessory	1		
	57M7258	Elec. Connector Seal	1		
	57M7259	Elec. Connector Seal	7		
8	57M10770	Elec. Connector Terminal	1		
	57M7262	Elec. Connector Housing	1		Instrument Cluster
	57M7281	Elec. Connect Locking Device	1		
9	57M7258	Elec. Connector Seal	10		
	57M10770	Elec. Connector Terminal	10		
	57M7260	Elec. Connector Housing	1		Instrument Cluster
	57M7291	Electrical Connector Assy	1		
	57M7258	Elec. Connector Seal	3		
	57M7259	Elec. Connector Seal	3		
10	57M10770	Elec. Connector Terminal	3		
	R78053	Electrical Connector Assy	1		Auxiliary Speed Out
	57M7251	Elec. Connector Terminal	2		
11	57M8815	Elec. Connector Housing	1		Auxiliary Power Front
	57M10780	Elec. Connector Terminal	1		
12	R104922	Electrical Connector Assy	1		Key Switch
13	57M7590	Elec. Connector Terminal	2		
	57M7344	Elec. Connector Housing	1		Headlight, RH
	57M10489	Elec. Connector Cable Seal	2		
14	57M7297	Elec. Connector Terminal	2		
	57M9361	Elec. Connector Housing	1		Worklights Switch
	57M10780	Elec. Connector Terminal	1		
	57M9630	Elec. Connector Terminal	2		

Chassis Wiring Harness, Center ( - 060000)  
 Chassis Wiring Harness, Center ( - 060000)  
 Chassis Wiring Harness, Center ( - 060000)  
 Chassis Wiring Harness, Center ( - 060000)  
 Chassis Wiring Harness, Center ( - 060000)  
 Chassis Wiring Harness, Center ( - 060000)

MP63662 A.1

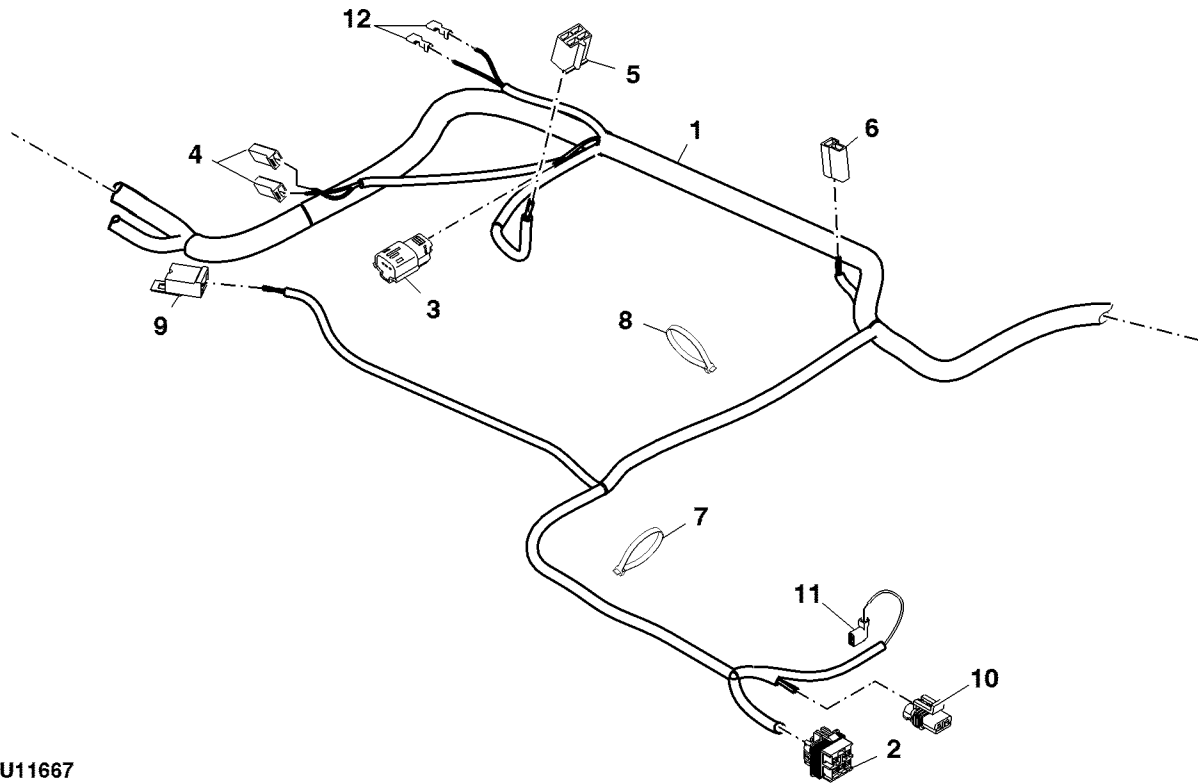


Key	Part No.	Part Name	Qty.	Serial No.	Remarks
1	57M7974	Electrical Connector Assy	1		Seat Switch
2	R77502	Tube	2		Park Brake Switch
3	R77502	Connector	2		4WD. Switch
4	.....	Connector	1		Seat Diode
5	AM122590	Diode	1		Seat
6	57M11035	Elec. Connector Terminal	2		Horn
7	T24167	Electrical Connector Assy	1		Hydro PTO
8	AM125751	Elec. Connector Seal	1		Start Relay
9	57M8878	Elec. Connect Locking Device	1		
10	R78064	Elec. Connector Cavity Plug	1		
11	AM125751	Elec. Connector Seal	1		Fan Relay
12	57M8878	Elec. Connect Locking Device	1		
13	R78064	Elec. Connector Cavity Plug	1		
14	AM125751	Elec. Connector Seal	1		Seat Relay
15	57M8878	Elec. Connect Locking Device	1		
16	R78064	Elec. Connector Cavity Plug	1		
17	R77476	Electrical Connector Assy	1		Work Light
18	ET15766	Elec. Connector Housing	1		Glow Plug Timer
19	M75140	Clip	1		
20	57M11035	Elec. Connector Terminal	2		Hydro Over Temperature
21	R77476	Electrical Connector Assy	1		Fan
22	H77698	Tie Band	AR		
23	R76477	Tie Band	AR		
24	TCA16602	Wiring Harness	1		Not Illustrated, ORDER TCA20815
25	TCA20815	Wiring Harness	1		Not Illustrated



Chassis Wiring Harness, Center (060001 - 120000)  
 Chassis Wiring Harness, Center (060001 - 120000)  
 Chassis Wiring Harness, Center (060001 - 120000)  
 Chassis Wiring Harness, Center (060001 - 120000)  
 Chassis Wiring Harness, Center (060001 - 120000)  
 Chassis Wiring Harness, Center (060001 - 120000)

PU11667 B.1

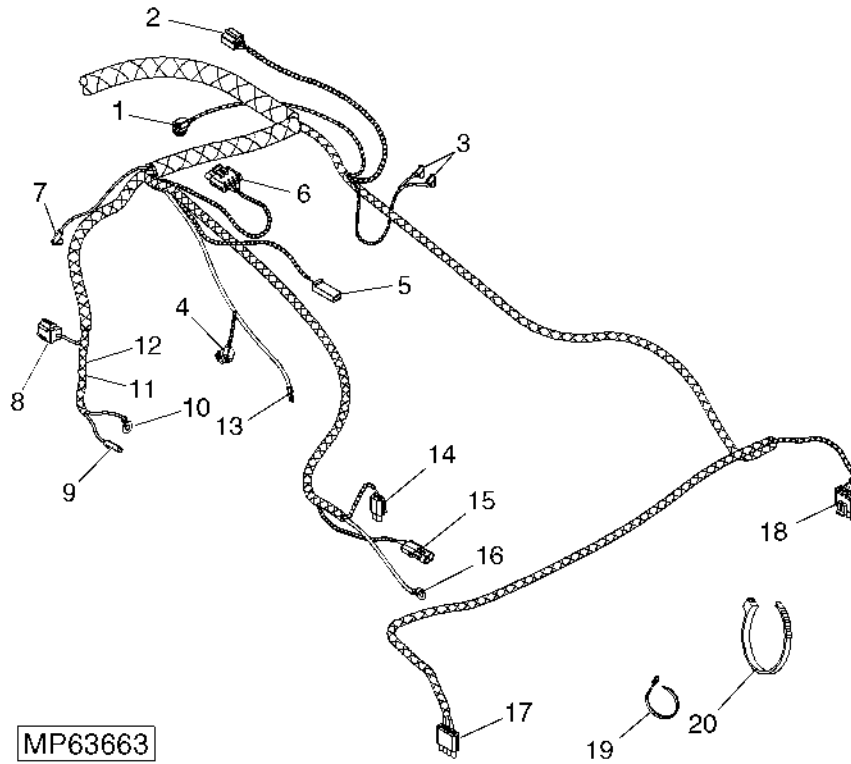


PU11667

Key	Part No.	Part Name	Qty.	Serial No.	Remarks
1	TCA20189	Wiring Harness	1	-080000	
	TCA24865	Wiring Harness	1	080001-	ORDER AUC15435
	AUC15435	Wiring Harness	1		ORDER AUC15957
2	AUC15957	Wiring Harness	1		Components on Separate Page
	57M7966	Electrical Connector Assy	1		Fan Relay
	57M8878	Elec.Connect Locking Device	1		
	AM123716	Relay	1		Sealed W/ Bracket
	57M10772	Elec. Connector Cable Seal	1		
	57M9198	Elec. Connector Terminal	2		
3	57M7707	Elec. Connector Terminal	2		Park Brake Switch
	R78063	Elec. Connector Seal	2		
	57M10789	Elec. Connector Cable Seal	1		
4	R77502	Tube	2		4WD Switch
	57M7172	Elec. Connector Terminal	2		
5	T24167	Electrical Connector Assy	1		Hydro PTO Switch
6	57M8810	Elec. Connector Terminal	4		SUB FOR 57M7144; Work Light
	R77476	Electrical Connector Assy	1		
	57M10780	Elec. Connector Terminal	2		
7	H77698	Tie Band	1		
8	R76477	Tie Band	1		
9	57M7974	Electrical Connector Assy	1		Seat Switch
10	57M8810	Elec. Connector Terminal	2		Fan
	57M7309	Elec. Connector Housing	1		
	57M7306	Elec.Connect Locking Device	1		
11	57M9217	Elec. Connector Seal	2		Hydro Over Temperature
	57M7299	Elec. Connector Terminal	2		
	57M10455	Elec. Connector Terminal	2		
12	57M9451	Elec. Connector Terminal	2		

Chassis Wiring Harness, Rear (- 060000)  
 Chassis Wiring Harness, Rear (- 060000)  
 Chassis Wiring Harness, Rear (- 060000)  
 Chassis Wiring Harness, Rear (- 060000)  
 Chassis Wiring Harness, Rear (- 060000)  
 Chassis Wiring Harness, Rear (- 060000)

MP63663 A.1



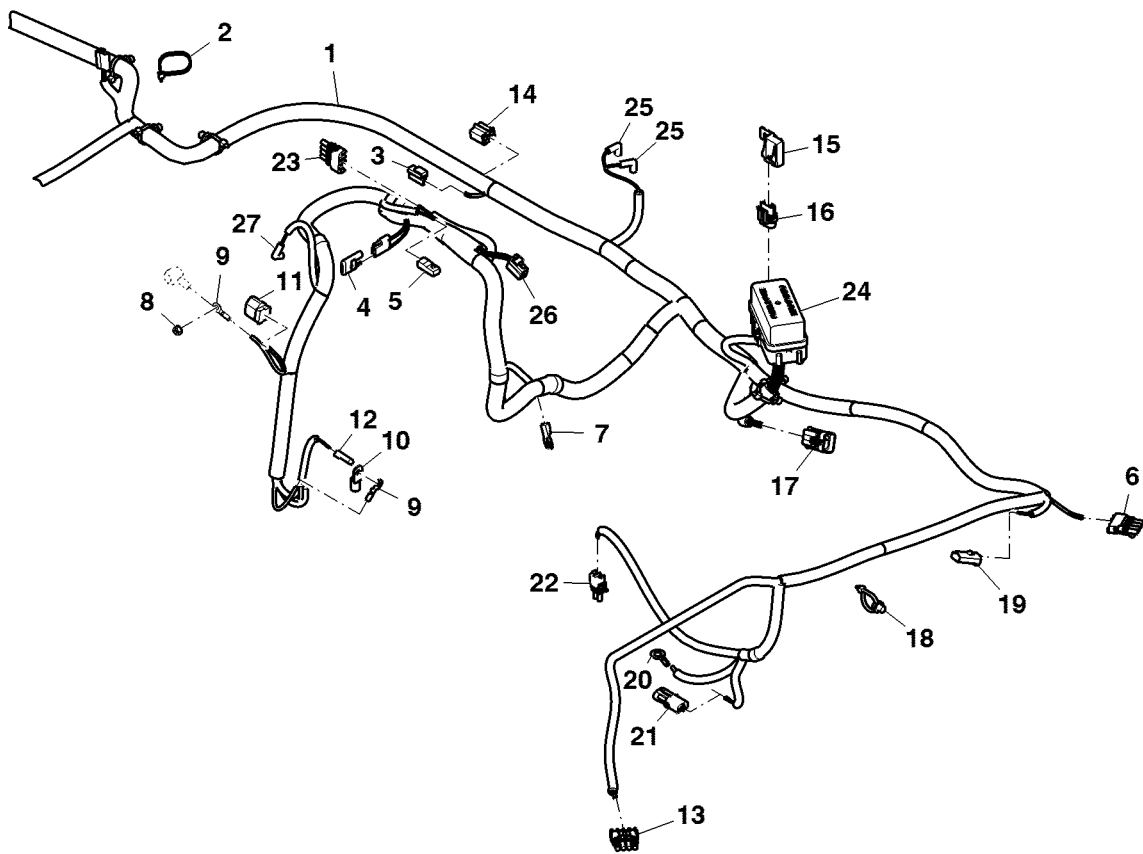
Key	Part No.	Part Name	Qty.	Serial No.	Remarks
1	.....	Connector	1		Fuel Pump
2	T24167	Electrical Connector Assy	1		Delay Module
3	.....	Connector	2		Fuel Tank Sender
4	AT262963	Electrical Connector Assy	1		Fuel Pull In Solenoid
5	57M10147	Elec. Connector Housing	1		Glow Plug
6	RE12365	Electrical Connector Assy	1		Fan and Overtemp Switch
7	.....	Connector	1		Temperature Gauge Sensor
8	57M8928	Elec. Connector Housing	1		Alternator
9	M43835	Electrical Connector Assy	1		Starter
10	57M8817	Elec. Connector Terminal	1		Ground
11	AM107087	Link Kit	2		Fusible
12	AM107088	Link Kit	1		Fusible
13	57M9614	Elec. Connector Terminal	1		Oil Switch
14	RE12363	Electrical Connector Assy	1		Neutral Switch
15	R78053	Electrical Connector Assy	1		Speed Sensor
16	57M7568	Elec. Connector Terminal	1		Ground
17	RE12365	Electrical Connector Assy	1		Taillight, LH
	R78064	Elec. Connector Cavity Plug	1		Cavity Plug
18	RE12365	Electrical Connector Assy	1		Taillight, RH
	R78064	Elec. Connector Cavity Plug	1		Cavity Plug
19	H77698	Tie Band	AR		
20	R76477	Tie Band	AR		
21	M46449	Boot	1		Not Illustrated
22	TCA16602	Wiring Harness	1		Not Illustrated, ORDER TCA20815
	TCA20815	Wiring Harness	1		Not Illustrated



Chassis Wiring Harness, Rear (060001 - 120000)  
Chassis Wiring Harness, Rear (060001 - 120000)  
Chassis Wiring Harness, Rear (060001 - 120000)  
Chassis Wiring Harness, Rear (060001 - 120000)  
Chassis Wiring Harness, Rear (060001 - 120000)  
Chassis Wiring Harness, Rear (060001 - 120000)



PU28256 A.1



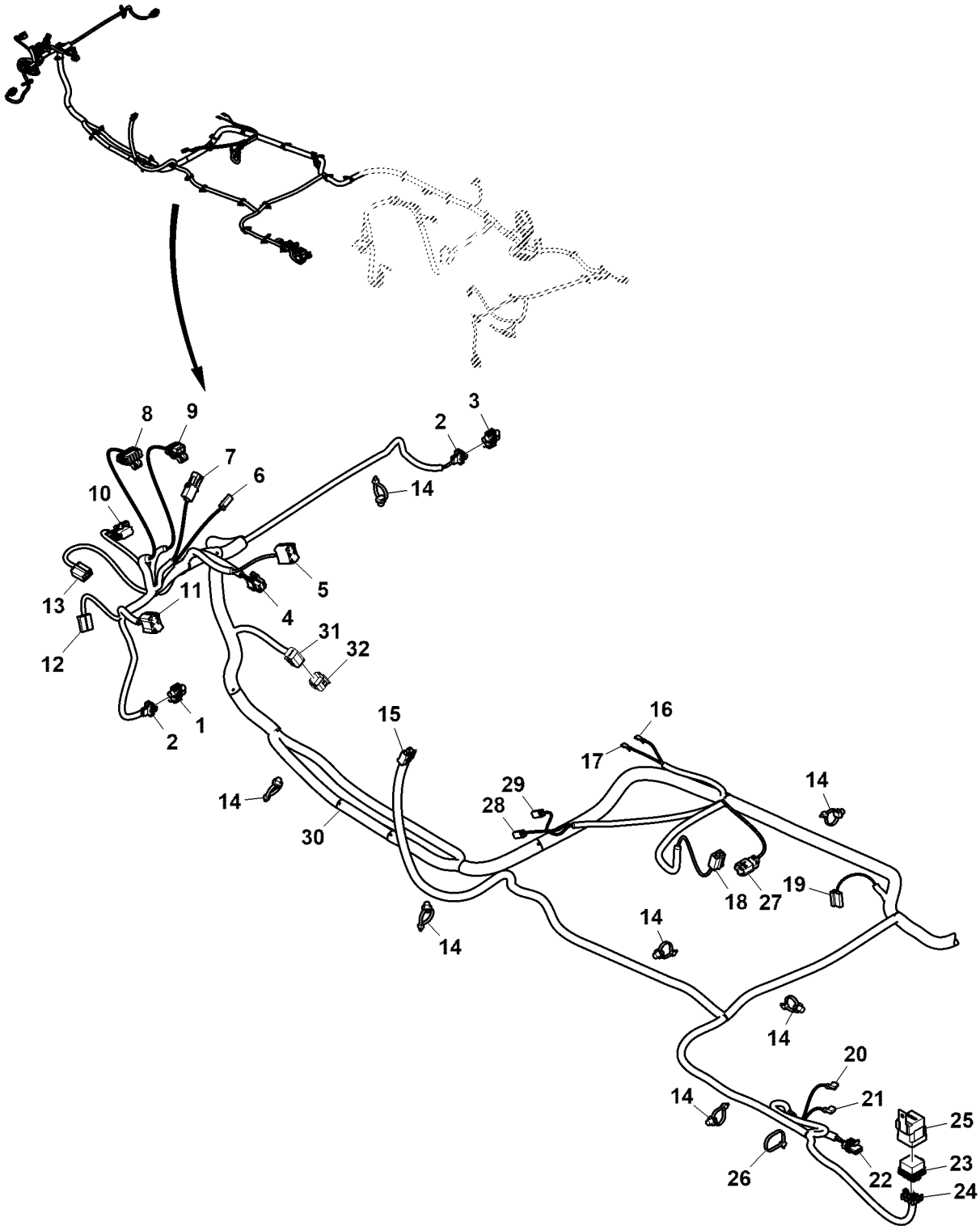
PU28256

Key	Part No.	Part Name	Qty.	Serial No.	Remarks
1	TCA20189	Wiring Harness	1	-080000	
	TCA24865	Wiring Harness	1	080001-	ORDER AUC15435
	AUC15435	Wiring Harness	1		ORDER AUC15957
	AUC15957	Wiring Harness	1		Components on Separate Page
2	H77698	Tie Band	2		SUB FOR M78480
3	57M10146	Electrical Connector Assy	1		Fuel Pump
	57M9491	Elec. Connector Terminal	2		
4	AT103399	Diode	1		
5	57M10147	Elec. Connector Housing	1		Glow Plug
	57M10148	Elec. Connector Terminal	1		
6	RE12365	Electrical Connector Assy	1		Taillight, RH
	57M10489	Elec. Connector Cable Seal	1		
	57M10772	Elec. Connector Cable Seal	1		
	57M10924	Elec. Connector Terminal	2		
	R78060	Elec. Connector Terminal	1		
7	57M9614	Elec. Connector Terminal	1		Oil Press
8	14M7397	Lock Nut	1		M6
9	57M10964	Elec. Connector Terminal	3		Starter
10	57M10936	Elec. Connector Terminal	1		Starter
11	57M8928	Elec. Connector Housing	1		Alternator
	57M9708	Elec. Connector Cable Seal	3		
	57M8404	Elec. Connector Terminal	3		
12	M43835	Electrical Connector Assy	1		Start Solenoid
	57M7498	Elec. Connector Terminal	1		
13	RE12365	Electrical Connector Assy	1		Taillight, LH
	57M10489	Elec. Connector Cable Seal	1		
	57M10924	Elec. Connector Terminal	2		
	R78060	Elec. Connector Terminal	1		
14	T24167	Electrical Connector Assy	1		Seat Delay
	57M8810	Elec. Connector Terminal	4		
15	57M8487	Electrical Connector Cap	1		
16	R104570	Electrical Connector Assy	1		Fan Fuse
	99M7104	Fuse	1		40 A
	R104571	Elec. Connector Terminal	1		
17	57M7263	Elec. Connector Housing	1		Fuel Shutoff
	57M7291	Electrical Connector Assy	1		
	57M7258	Elec. Connector Seal	6		
18	R104919	Elec. Connector Terminal	6		
	R76477	Tie Band	1		
19	57M8815	Elec. Connector Housing	1		Auxiliary Power, Back
	57M10780	Elec. Connector Terminal	1		
20	57M10967	Elec. Connector Terminal	1		Ground
21	R78053	Electrical Connector Assy	1		Speed Sensor
	57M7251	Elec. Connector Terminal	2		
22	RE12363	Electrical Connector Assy	1		Neutral Switch
	57M7251	Elec. Connector Terminal	2		
23	RE12365	Electrical Connector Assy	1		Fan Switch
	57M10489	Elec. Connector Cable Seal	1		
	57M10924	Elec. Connector Terminal	4		
24	57M10282	Elec. Connector Housing	1		
	57M7399	Elec. Connector Terminal	3		
	57M7400	Elec. Connector Seal	11		
	57M10283	Elec. Connector Accessory	1		
	57M8623	Fuse	1		25 A
	RE180265	Diode	1		1 A
	57M7689	Fuse	2		10 A
	57M8940	Elec. Connector Cable Seal	1		
	57M10285	Elec. Connector Terminal	10		
	57M8584	Elec. Connector Terminal	11		Timer Contact
	57M8585	Elec. Connector Terminal	2		Timer Contact
	57M7401	Elec. Connector Terminal	35		Blind Plug
25	.....	Elec. Connector Terminal	2		Fuel Tank Send
26	AT262963	Electrical Connector Assy	1		Fuel Shutoff
27	.....	Elec. Connector Terminal	1		Gage Temp Sensor

Chassis Wiring Harness (1/2) (120001 - 130000)  
Chassis Wiring Harness (1/2) (120001 - 130000)  
Chassis Wiring Harness (1/2) (120001 - 130000)  
Chassis Wiring Harness (1/2) (120001 - 130000)  
Chassis Wiring Harness (1/2) (120001 - 130000)  
Chassis Wiring Harness (1/2) (120001 - 130000)



PU39127 A.1

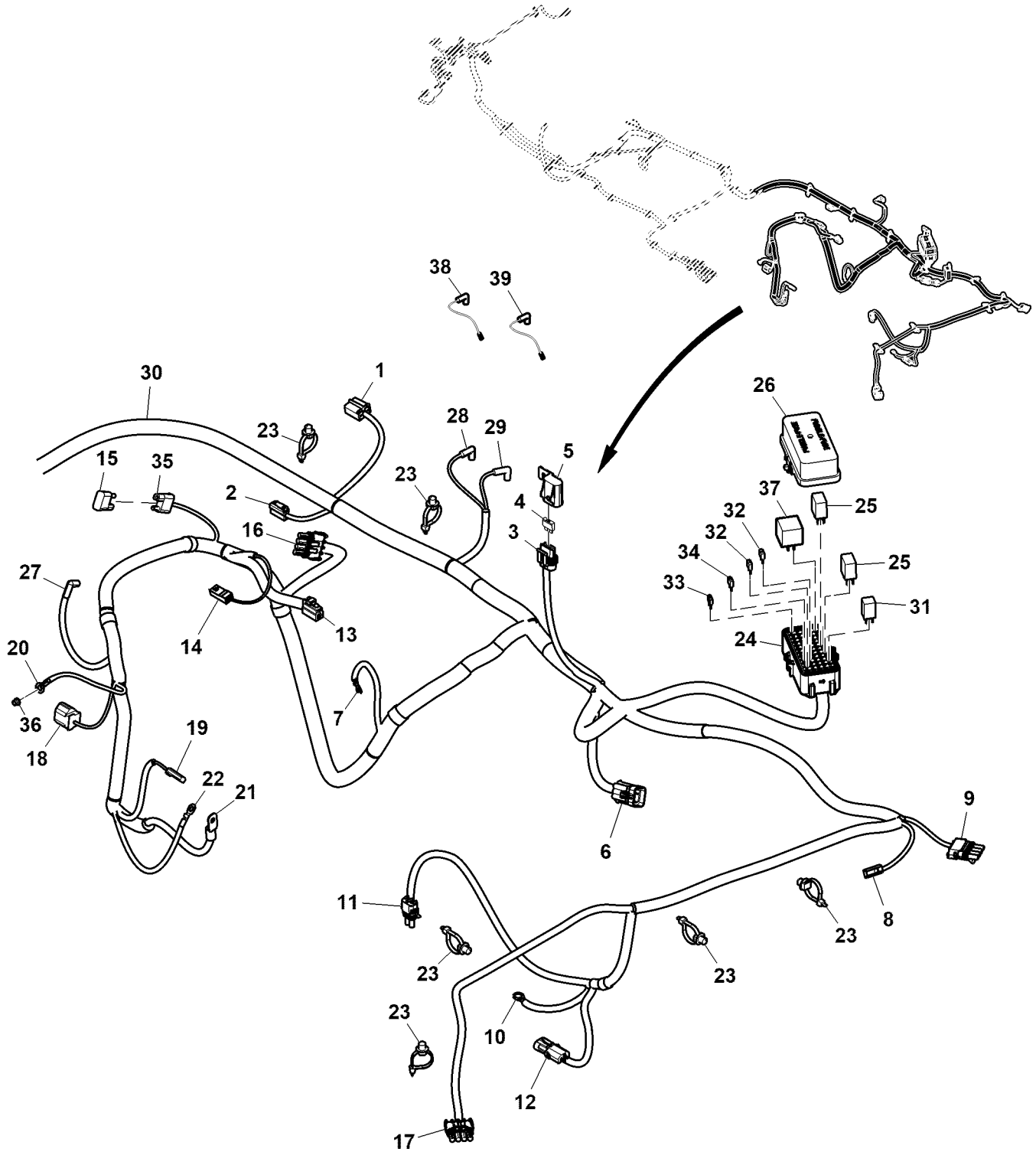


PU39127

Key	Part No.	Part Name	Qty.	Serial No.	Remarks
1	57M7344	Elec. Connector Housing	1		C-9, Headlight, LH
	57M10489	Elec. Connector Cable Seal	2		
	57M7297	Elec. Connector Terminal	2		Cavity A, B
2	57M7371	Electrical Connector Assy	2		
3	57M7344	Elec. Connector Housing	1		C-11, Headlight, RH
	57M10489	Elec. Connector Cable Seal	2		
4	57M7297	Elec. Connector Terminal	2		Cavity A, B
	R104922	Elec. Connector Housing	1		C-5, Key Switch
	57M7590	Elec. Connector Terminal	2		Cavity D, F
5	R104921	Elec. Connector Terminal	2		Cavity B, E
	57M9361	Elec. Connector Housing	1		C-1, Worklight Switch
	57M9462	Elec. Connector Terminal	2		Cavity 2
6	57M8815	Elec. Connector Housing	1		C-10, Auxiliary Power, Front
	57M10780	Elec. Connector Terminal	1		Cavity 1
7	R78053	Elec. Connector Housing	1		C-3, Auxiliary Speed Out Sensor
	R78058	Elec. Connector Terminal	2		Cavity A, B
	57M10667	Elec. Connector Cable Seal	2		
8	57M7262	Elec. Connector Housing	1		C-8, Instrument Panel J1
	57M7281	Elec. Connect Locking Device	1		
	57M10770	Elec. Connector Terminal	10		Cavity A-H, J, K
9	57M7258	Elec. Connector Seal	10		
	57M7260	Elec. Connector Housing	1		C-7, Instrument Panel J2
	57M7291	Electrical Connector Assy	1		
10	57M7258	Elec. Connector Seal	3		
	57M10770	Elec. Connector Terminal	3		Cavity A, B, C
	57M7259	Elec. Connector Cavity Plug	3		Cavity D, E, F
	57M7261	Elec. Connector Housing	1		C-6, Instrument Panel J3
	57M10770	Elec. Connector Terminal	1		Cavity E
	57M7259	Elec. Connector Cavity Plug	7		Cavity A-H
11	57M7296	Elec. Connector Accessory	1		
	57M7258	Elec. Connector Seal	1		
	57M9361	Elec. Connector Housing	1		C-4, Headlight Switch
12	57M7498	Elec. Connector Terminal	2		Cavity 1, 2
	R77480	Elec. Connector Housing	1		C-2, Horn Switch
13	57M7886	Elec. Connector Terminal	2		Cavity A
	57M8809	Elec. Connector Terminal	1		Cavity B
	T24167	Elec. Connector Housing	1		C-13, Brake Switch
14	57M10780	Elec. Connector Terminal	3		Cavity B, C, D
	57M9632	Elec. Connector Terminal	2		Cavity A
	TCU29933	Clip	28		
15	57M7974	Elec. Connector Housing	1		C-17, Seat Switch
	57M8810	Elec. Connector Terminal	2		Cavity A, B
16	57M9451	Elec. Connector Terminal	1		T-5, Horn, Positive
17	57M9451	Elec. Connector Terminal	1		T-6, Horn, Negative
18	T24167	Elec. Connector Housing	1		C-14, Hydraulic PTO Switch
19	57M8810	Elec. Connector Terminal	4		Cavity A, B, C, D
	R77476	Electrical Connector Assy	1		C-12, Worklight
	57M10780	Elec. Connector Terminal	2		Cavity A, B
20	57M10454	Elec. Connector Terminal	1		T-1, Hydraulic Overtemp Switch
21	57M10455	Elec. Connector Terminal	1		T-2, Hydraulic Overtemp Switch
22	57M7309	Elec. Connector Housing	1		C-18, Fan
	57M7306	Elec. Connect Locking Device	1		
	57M7299	Elec. Connector Terminal	2		Cavity A, B
23	57M9217	Elec. Connector Seal	2		
	57M7966	Electrical Connector Assy	1		C-20, Fan Relay
	57M7707	Elec. Connector Terminal	2		Cavity 85, 86
24	R78064	Elec. Connector Cavity Plug	1		Cavity 87A
	57M9198	Elec. Connector Terminal	2		Cavity 30, 87
	57M9217	Elec. Connector Cable Seal	2		
25	57M10667	Elec. Connector Cable Seal	2		
26	57M8878	Elec. Connect Locking Device	1		Relay
27	SJ15811	Cover	1		
28	H77698	Tie Band	1		
29	.....	Elec. Connector Housing	1		C-15, Park Brake Switch
	57M12786	Elec. Connector Cavity Plug	2		Cavity 1, 3
	57M10789	Elec. Connector Cavity Plug	1		Cavity 2
30	.....	Elec. Connector Housing	1		C-22, 4WD Switch
	57M7172	Elec. Connector Terminal	1		Cavity 1
31	.....	Elec. Connector Housing	1		C-21, 4WD Switch
	57M7172	Elec. Connector Terminal	1		Cavity 1
32	AUC15957	Wiring Harness	1		
	57M8634	Elec. Connector Housing	1		C32, Modular Telematics Gateway
	R78065	Elec. Connector Terminal	3		Cavity 1, 2, 3
33	R78069	Elec. Connector Cavity Plug	3		Cavity 4, 5, 6
	57M8013	Elec. Connect Locking Device	1		
34	57M11287	Elec. Connector Accessory	1		

Chassis Wiring Harness (2/2) (120001 - 130000)  
Chassis Wiring Harness (2/2) (120001 - 130000)  
Chassis Wiring Harness (2/2) (120001 - 130000)  
Chassis Wiring Harness (2/2) (120001 - 130000)  
Chassis Wiring Harness (2/2) (120001 - 130000)  
Chassis Wiring Harness (2/2) (120001 - 130000)

PU41702 A.1



PU41702

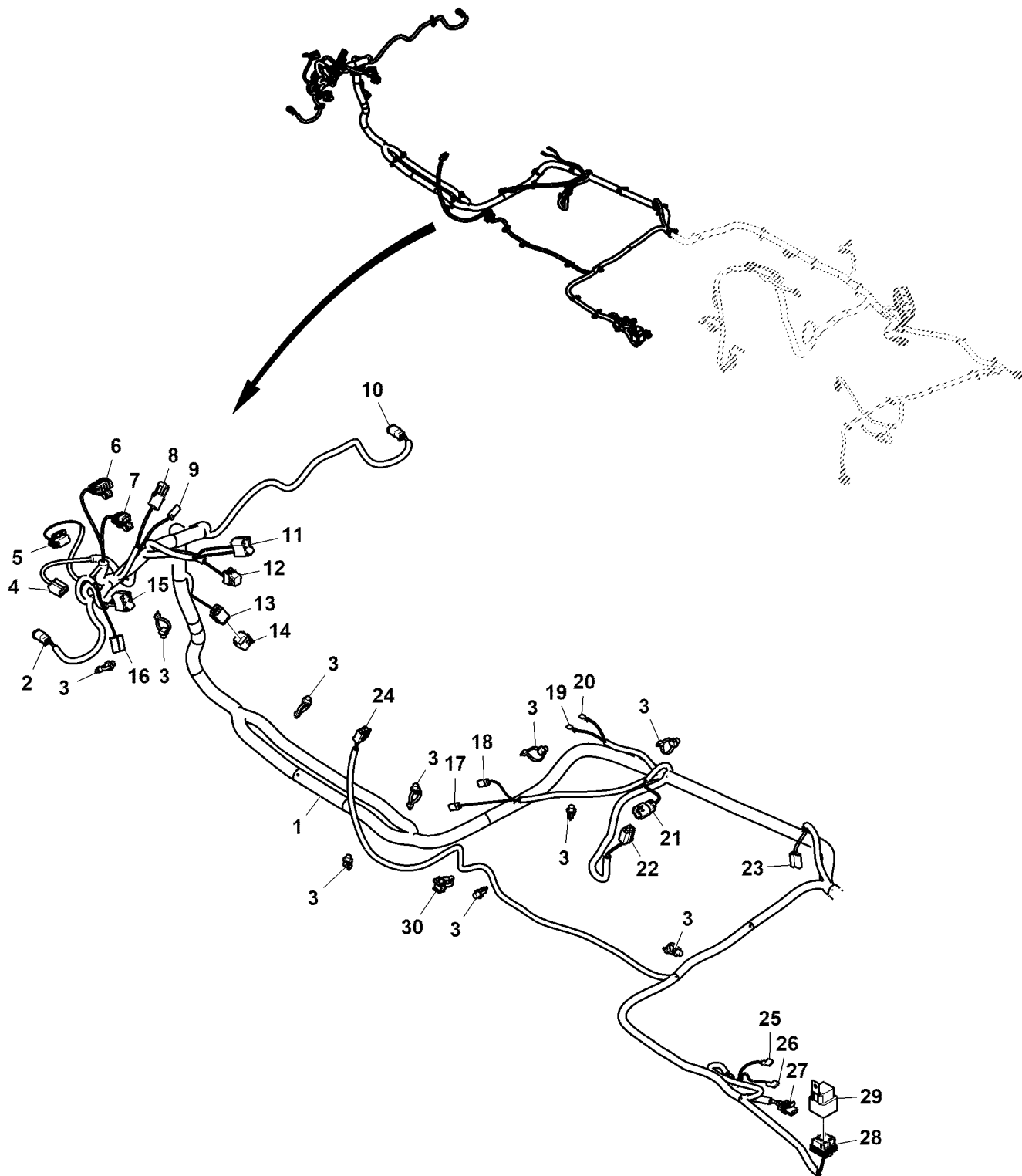


Key	Part No.	Part Name	Qty.	Serial No.	Remarks
1	T24167	Elec. Connector Housing	1		C-34, Seat Delay Module
	57M8810	Elec. Connector Terminal	4		Cavity A, B, C, D
2	57M10146	Elec. Connector Housing	1		C-33, Fuel Pump
	57M9491	Elec. Connector Terminal	2		Cavity A, B
3	R104570	Elec. Connector Housing	1		C-16, Fan Fuse
	R104571	Elec. Connector Terminal	2		Cavity A, B
4	99M7104	Fuse	1		40 A
5	57M8487	Electrical Connector Cap	1		
6	57M7263	Elec. Connector Housing	1		C-23, Fuel Shutoff Module
	57M7252	Elec. Connector Terminal	6		Cavity A-F
	57M7291	Electrical Connector Assy	1		
	57M7258	Elec. Connector Cable Seal	6		
7	57M9614	Elec. Connector Terminal	1		T-13, Oil Pressure Switch
8	57M8815	Elec. Connector Housing	1		C-29, Auxiliary Power, Rear
	57M10780	Elec. Connector Terminal	1		Cavity 1
9	RE12365	Elec. Connector Housing	1		C-24, Taillight, RH
	57M10924	Elec. Connector Terminal	2		Cavity A, C
	R78064	Elec. Connector Cavity Plug	1		Cavity D
	R78060	Elec. Connector Terminal	1		Cavity B
	57M10489	Elec. Connector Cable Seal	1		
	57M10667	Elec. Connector Cable Seal	2		
10	57M10967	Elec. Connector Terminal	1		T-7, Ground
11	RE12363	Elec. Connector Housing	1		C-27, Neutral Switch
	57M7251	Elec. Connector Terminal	2		Cavity A, B
	57M10667	Elec. Connector Cable Seal	2		
12	R78053	Elec. Connector Housing	1		C-26, Speed Sensor
	57M7251	Elec. Connector Terminal	2		Cavity A, B
	57M10667	Elec. Connector Cable Seal	2		
13	AT262963	Elec. Connector Housing	1		C-30, Fuel Shutoff Solenoid
	57M10498	Elec. Connector Terminal	2		Cavity A, B
	57M9491	Elec. Connector Terminal	1		Cavity C
14	57M10147	Elec. Connector Housing	1		C-31, Glow Plug Control Module
	57M10148	Elec. Connector Terminal	1		Cavity A
15	AT103399	Diode	1		
16	RE12365	Elec. Connector Housing	1		C-28, Fan Out Switch
	57M10924	Elec. Connector Terminal	4		Cavity A, B, C, D
	57M10489	Elec. Connector Cable Seal	4		
17	RE12365	Elec. Connector Housing	1		C-25, Taillight, LH
	57M10924	Elec. Connector Terminal	2		Cavity A, C
	R78064	Elec. Connector Cavity Plug	1		Cavity D
	R78060	Elec. Connector Terminal	1		Cavity B
	57M10489	Elec. Connector Cable Seal	1		
	57M10667	Elec. Connector Cable Seal	2		
18	57M8928	Elec. Connector Housing	1		C-32, Alternator
	57M8404	Elec. Connector Terminal	3		Cavity 1, 2, 3
	57M9708	Elec. Connector Cable Seal	3		
19	M43835	Elec. Connector Housing	1		C-36, Starter Solenoid
	57M7498	Elec. Connector Terminal	1		Cavity 1
20	57M10964	Elec. Connector Terminal	1		T-11, Alternator, Battery Positive
21	57M10936	Elec. Connector Terminal	1		T-8
22	57M10964	Elec. Connector Terminal	1		T-9, Starter Motor, Battery Positive
23	TCU29933	Clip	11		
24	57M10282	Elec. Connector Housing	1		C-35, Load Center
	57M8584	Elec. Connector Terminal	11		Cavity A1, A2, C3, D1, D10, D11, D12, D7, E11, E5, E8
	57M8585	Elec. Connector Terminal	3		Cavity A10, A12, E12
	57M10285	Elec. Connector Terminal	10		Cavity A11, A9, B10, B9, C1, D3, D5, D8, E10, E7
	57M7401	Elec. Connector Cavity Plug	36		Cavity A3, A4, A5, A6, A7, A8, B1, B11, B12, B2, B3, B4, B5, B6, B7, B8, C10, C11, C12, C2, C4, C5, C6, C7, C8, C9, D2, D4, D6, D9, E1, E2, E3, E4, E6, E9
	57M7399	Elec. Connector Seal	24		
25	M169838	Relay	2		
26	57M10283	Cover	1		Fuse Holder
27	57M8798	Elec. Connector Terminal	1		T-12, Temperature Gauge Sensor
28	57M14249	Elec. Connector Terminal	1		ORDER AUC17204, T-4, Fuel Tank Sender
29	57M14249	Elec. Connector Terminal	1		ORDER AUC17205, T-3, Fuel Tank Sender
30	AUC15957	Wiring Harness	1		
31	SJ15808	Relay	1		12 V
32	57M8623	Fuse	2		25 A
33	RE180265	Diode	1		
34	57M7689	Fuse	1		10 A
35	.....	Electrical Connector Assy	1		C-37
	57M10963	Elec. Connector Terminal	1		Cavity A
	57M10962	Elec. Connector Terminal	1		Cavity B
36	14M7397	Lock Nut	1		M6
37	UC21918	Relay	1		12 V
38	AUC17204	Wiring Harness	1		T-4, Fuel Tank Sender Adapter
39	AUC17205	Wiring Harness	1		T-3, Fuel Tank Sender Adapter

Chassis Wiring Harness (1/2) (130001 - )  
Chassis Wiring Harness (1/2) (130001 - )  
Chassis Wiring Harness (1/2) (130001 - )  
Chassis Wiring Harness (1/2) (130001 - )  
Chassis Wiring Harness (1/2) (130001 - )  
Chassis Wiring Harness (1/2) (130001 - )



PU47295 A.1



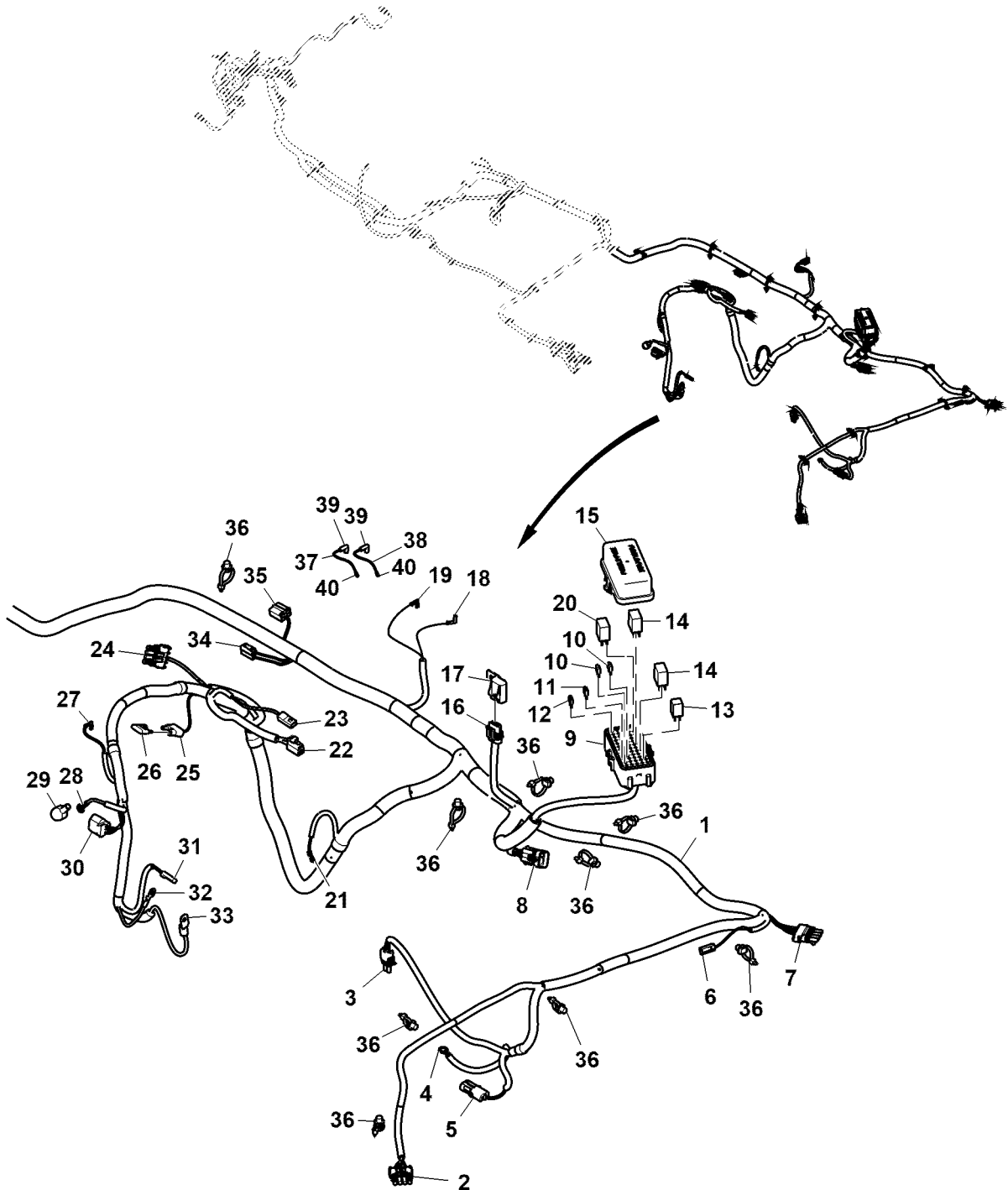
PU47295

Key	Part No.	Part Name	Qty.	Serial No.	Remarks
1	AUC16401	Wiring Harness	1		
2	57M7534	Elec. Connector Housing	1		XE0001, Headlight, LH
	R78065	Elec. Connector Terminal	2		Cavity 1, 2
	57M7620	Electrical Connector Assy	1		
3	TCU29933	Clip	20		
4	T24167	Elec. Connector Housing	1		XS0003, Brake Switch
	57M8810	Elec. Connector Terminal	1		Cavity A
	57M10780	Elec. Connector Terminal	3		Cavity B-D
5	57M7261	Elec. Connector Housing	1		XA0006-3, Instrument Panel
	R104846	Elec. Connector Terminal	1		Cavity E
	57M7258	Elec. Connector Seal	1		Cavity E
	57M7259	Elec. Connector Seal	7		Cavity A-D, F-H
	57M7296	Elec. Connector Accessory	1		
6	57M7262	Elec. Connector Housing	1		XA0006-1, Instrument Panel
	R104846	Elec. Connector Terminal	10		Cavity A-H, J, K
	57M7258	Elec. Connector Seal	10		Cavity A-H, J, K
	57M7281	Elec. Connect Locking Device	1		
7	57M7260	Elec. Connector Housing	1		XA0006-2, Instrument Panel
	R104846	Elec. Connector Terminal	3		Cavity A-C
	57M7258	Elec. Connector Seal	3		Cavity A-C
	57M7259	Elec. Connector Seal	3		Cavity D-F
	57M7291	Electrical Connector Assy	1		
8	R78053	Elec. Connector Housing	1		XX0005, Auxiliary Sensor Out
	57M7251	Elec. Connector Terminal	2		Cavity A, B
	57M9218	Elec. Connector Seal	2		Cavity A, B
9	57M8815	Elec. Connector Housing	1		XE0006, Auxiliary Power Front
	57M10780	Elec. Connector Terminal	1		Cavity A
10	57M7534	Elec. Connector Housing	1		XE0003, Headlight, RH
	R78065	Elec. Connector Terminal	2		Cavity 1, 2
	57M7620	Electrical Connector Assy	1		
11	57M9361	Elec. Connector Housing	1		XS0010, Worklight Switch
	57M10780	Elec. Connector Terminal	2		Cavity C, D
12	R104922	Elec. Connector Housing	1		XS0001, Key Switch
	R104921	Elec. Connector Terminal	2		Cavity B, E
	57M7590	Elec. Connector Terminal	2		Cavity D, F
13	57M8634	Elec. Connector Housing	1		XA0007, MTG Logger
	R78065	Elec. Connector Terminal	3		Cavity 1-3
	R78069	Elec. Connector Cavity Plug	3		Cavity 4-6
	57M8013	Elec. Connect Locking Device	1		
14	57M11287	Elec. Connector Accessory	1		
15	57M9361	Elec. Connector Housing	1		XS0009, Headlight Switch
	57M7498	Elec. Connector Terminal	2		Cavity C, D
16	R77480	Elec. Connector Housing	1		XS0011, Horn Switch
	57M8809	Elec. Connector Terminal	2		Cavity A, B
17	.....	Elec. Connector Housing	1		XS0008-2, 4WD Switch
	57M7172	Elec. Connector Terminal	1		Cavity 1
18	.....	Elec. Connector Housing	1		XS0008-1, 4WD Switch
	57M7172	Elec. Connector Terminal	1		Cavity 1
19	57M9451	Elec. Connector Terminal	1		XH0001-2, Horn
20	57M9451	Elec. Connector Terminal	1		XH0001-1, Horn
21	.....	Elec. Connector Housing	1		XS0007, Park Brake Switch
	57M12786	Elec. Connector Terminal	2		Cavity 1, 3
	57M10789	Elec. Connector Seal	1		Cavity 2
22	T24167	Elec. Connector Housing	1		XS0005, Hydro PTO Switch
	57M8810	Elec. Connector Terminal	4		Cavity A-D
23	R77476	Elec. Connector Housing	1		XX0006-1, Worklight Harness Interface
	57M10780	Elec. Connector Terminal	2		Cavity A, B
24	57M7974	Elec. Connector Housing	1		XS0006, Seat Switch
	57M8810	Elec. Connector Terminal	2		Cavity A, B
25	57M10455	Elec. Connector Housing	1		XB0003-1, Hydro Over Temperature Switch
26	57M10455	Elec. Connector Terminal	1		XB0003-2, Hydro Over Temperature Switch
27	57M7309	Elec. Connector Housing	1		XM0002, Fan Motor
	57M7299	Elec. Connector Terminal	2		Cavity A, B
	57M9217	Elec. Connector Seal	2		Cavity A, B
	57M7306	Elec. Connect Locking Device	1		
28	57M7966	Elec. Connector Housing	1		XK0005, Fan Relay
	57M9198	Elec. Connector Terminal	2		Cavity 30, 87
	57M7707	Elec. Connector Terminal	2		Cavity 85, 86
	57M9216	Elec. Connector Seal	1		Cavity 30
	57M9218	Elec. Connector Seal	2		Cavity 85, 86
	57M9217	Elec. Connector Seal	1		Cavity 87
	R78064	Elec. Connector Cavity Plug	1		Cavity 87A
	57M8878	Elec. Connect Locking Device	1		
29	SJ15811	Relay	1		12 V
30	57M11704	Clip	1		

Chassis Wiring Harness (2/2) (130001 - )  
Chassis Wiring Harness (2/2) (130001 - )  
Chassis Wiring Harness (2/2) (130001 - )  
Chassis Wiring Harness (2/2) (130001 - )  
Chassis Wiring Harness (2/2) (130001 - )  
Chassis Wiring Harness (2/2) (130001 - )



PU47193 A.1

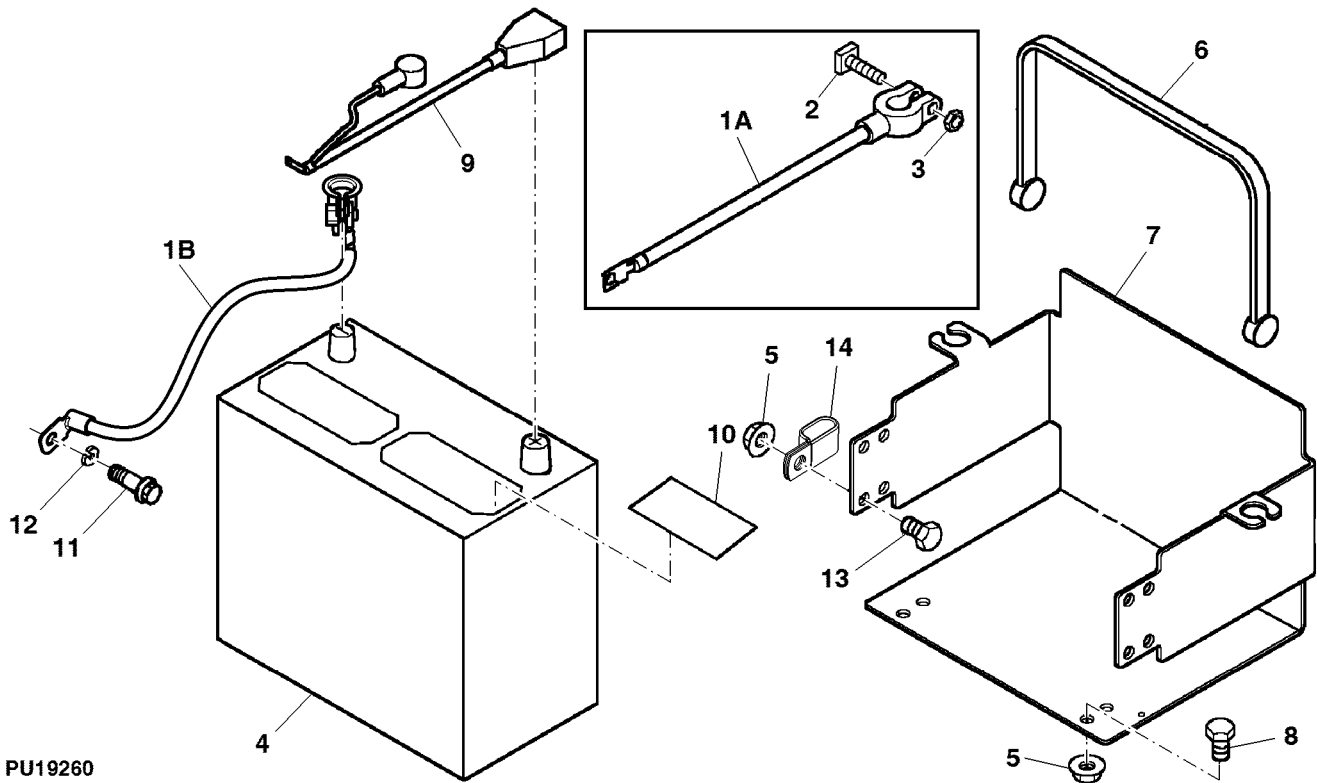


PU47193

Key	Part No.	Part Name	Qty.	Serial No.	Remarks
1	AUC16401	Wiring Harness	1		
2	RE12365	Elec. Connector Housing	1		XE0002, Taillight, LH
	57M10924	Elec. Connector Terminal	2		Cavity A, C
	R78060	Elec. Connector Terminal	1		Cavity B
	57M9218	Elec. Connector Seal	3		Cavity A, B, C
	R78064	Elec. Connector Cavity Plug	1		Cavity D
3	RE12363	Elec. Connector Housing	1		XS0004, Neutral Switch
	57M7251	Elec. Connector Terminal	2		Cavity A, B
	57M9218	Elec. Connector Seal	2		Cavity A, B
4	57M10967	Elec. Connector Terminal	1		XT0007, Frame Ground
5	R78053	Elec. Connector Housing	1		XB0005, Speed Sensor
	57M7251	Elec. Connector Terminal	2		Cavity A, B
	57M9218	Elec. Connector Seal	2		Cavity A, B
6	57M8815	Elec. Connector Housing	1		XE0007, Auxiliary Power Rear
	57M10780	Elec. Connector Terminal	1		Cavity A
7	RE12365	Elec. Connector Housing	1		XE0004, Taillight, RH
	57M10924	Elec. Connector Terminal	2		Cavity A, C
	R78060	Elec. Connector Terminal	1		Cavity B
	57M9218	Elec. Connector Seal	3		Cavity A, B, C
	R78064	Elec. Connector Cavity Plug	1		Cavity D
8	57M7263	Elec. Connector Housing	1		XA0005, Fuel Shutoff Module
	57M7252	Elec. Connector Terminal	6		Cavity A-F
	57M7258	Elec. Connector Seal	6		Cavity A-F
	57M7291	Electrical Connector Assy	1		
9	57M10282	Elec. Connector Housing	1		XA0002, Load Center
	57M8584	Elec. Connector Terminal	12		Cavity A1, A2, C3, D1, D7, D10-D12, E5, E8, E11, E12
	57M10285	Elec. Connector Terminal	10		Cavity A9, A11, B9, B10, C1, D3, D5, D8, E7, E10
	57M8585	Elec. Connector Terminal	2		Cavity A10, A12
	57M7399	Elec. Connector Terminal	24		Cavity A1, A2, A9-A12, B9, B10, C1, C3, D1, D3, D5, D7, D8, D10-D12, E5, E7, E8, E10-E12
	57M7401	Elec. Connector Terminal	36		Cavity A3-A8, B1-B8, B11, B12, C2, C4-C12, D2, D4, D6, D9, E1-E4, E6, E9
10	57M8623	Fuse	2		25 A
11	57M7689	Fuse	1		10 A
12	RE180265	Diode	1		
13	SJ15808	Relay	1		12 V
14	M169838	Relay	2		12 V
15	57M10283	Elec. Connector Accessory	1		
16	R104570	Elec. Connector Housing	1		XF0004, Fan Power
	R104571	Elec. Connector Terminal	2		Cavity A, B
	99M7104	Fuse	1		40 A
17	57M8487	Electrical Connector Cap	1		
18	AUC17205	Elec. Connector Terminal	1		XB0004-1, Fuel Sender Ground
19	AUC17205	Elec. Connector Terminal	1		XB0004-2, Fuel Sender Signal
20	UC21918	Relay	1		12 V
21	57M9614	Elec. Connector Terminal	1		XB0002, Pressure Sensor
22	AT262963	Elec. Connector Housing	1		XY0002, Fuel Shutoff Solenoid
	57M9491	Elec. Connector Terminal	1		Cavity C
23	57M10147	Elec. Connector Housing	1		XR0001, Glow Plug
24	RE12365	Elec. Connector Housing	1		XS0002, Fan OT Switch
	57M10924	Elec. Connector Terminal	4		Cavity A-D
	57M9218	Elec. Connector Seal	4		Cavity A-D
25	.....	Elec. Connector Housing	1		XV0001, Diode 6A
	57M10963	Elec. Connector Terminal	1		Pin
	57M10962	Elec. Connector Terminal	1		Socket
26	AT103399	Diode	1		
27	57M8798	Elec. Connector Terminal	1		XB0001, Gauge Temperature Sensor
28	57M10964	Elec. Connector Terminal	1		XG0001-B, Alternator
29	UC25687	Boot	1		
30	57M8928	Elec. Connector Housing	1		XG0001-A, Alternator
	57M8404	Elec. Connector Terminal	3		Cavity 1-3
	57M9708	Elec. Connector Seal	3		Cavity 1-3
31	M43835	Elec. Connector Housing	1		XM0003-50, Starter Motor
	57M7498	Elec. Connector Terminal	1		Cavity 1
32	57M10964	Elec. Connector Terminal	1		XF0001-2, VBAT Fuse
33	57M10936	Elec. Connector Terminal	1		XF0001-1, VBAT Fuse
34	57M10146	Elec. Connector Housing	1		XY0007, Fuel Pump
	57M9491	Elec. Connector Terminal	2		Cavity 1, 2
35	T24167	Elec. Connector Housing	1		XA0004, Seat Delay Module
	57M8810	Elec. Connector Terminal	4		Cavity A-D
36	TCU29933	Clip	19		
37	AUC17205	Wiring Harness	1		Diesel Sender Ground Adaptor
38	AUC17204	Wiring Harness	1		Gas/ Diesel Fuel Sender Adaptor
39	.....	Elec. Connector Terminal	2		X-3, Fuel Tank
40	.....	Elec. Connector Terminal	2		S3

Battery and Cables ( - 060000)  
 Battery and Cables ( - 060000)  
 Battery and Cables ( - 060000)  
 Battery and Cables ( - 060000)  
 Battery and Cables ( - 060000)  
 Battery and Cables ( - 060000)

PU19260 A.1

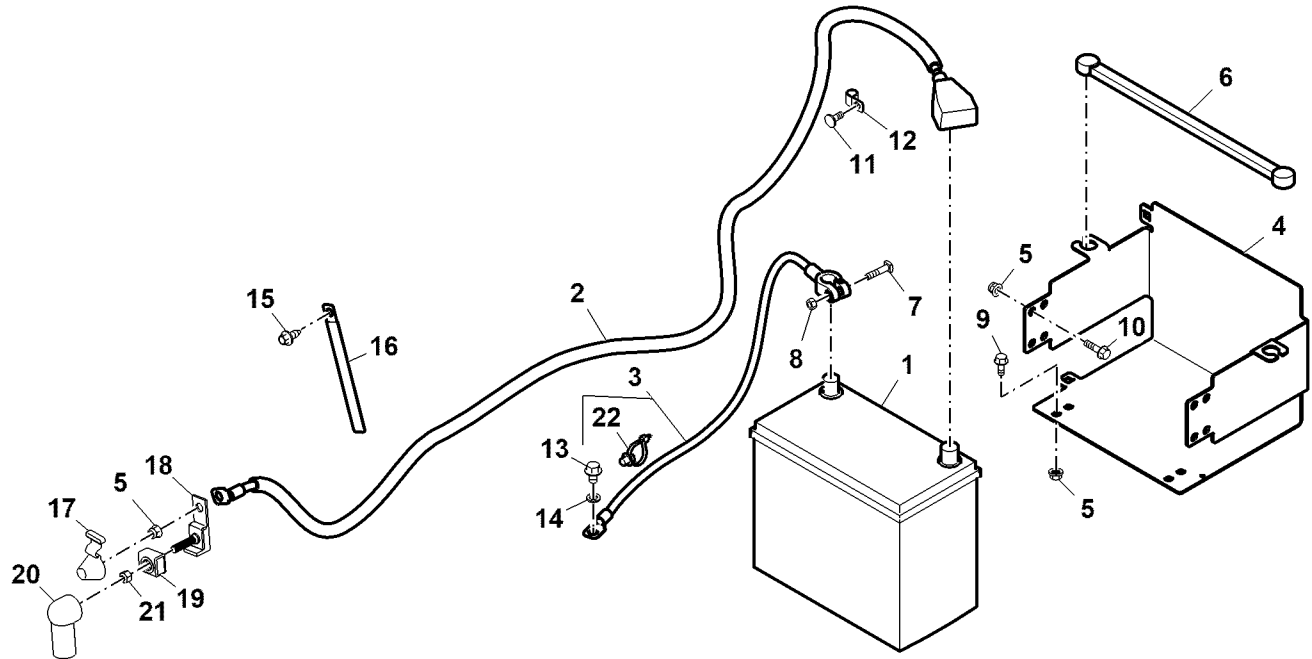


Key	Part No.	Part Name	Qty.	Serial No.	Remarks
1A	AM117237	Ground Cable	1		ORDER AM148308; Negative
1B	AM148308	Ground Cable	1		Negative
2	M81353	Bolt	2		USE WITH AM117237
3	14H785	Nut	2		5/16". USE WITH AM117237
4	TY24467	Dry Charged Battery	1		ORDER TY25876
	TY25876	Dry Charged Battery	1		ORDER TY25876B OR MCYP25876
	TY25876B	Wet Charged Battery	1		For Canada and USA
	MCYP25876	Wet Charged Battery	1		Not for Canada and USA
5	14M7396	Lock Nut	4		M8
6	M111150	Strap	1		SUB FOR M119854; Hold Down
7	M139181	Base	1		
8	19M7866	Screw	3		M8 X 20
9	AM126183	Battery Cable	1		Positive
10	M134554	Label	1		Danger, Spanish
11	19M7783	Screw	1		M10 X 16
12	12M7066	Lock Washer	1		10 mm
13	19M7868	Screw	1		M8 X 30
14	R35668	Clamp	1		
15	TCU30010	Boot	2		Not Illustrated

Battery and Cables (060001 - )  
 Battery and Cables (060001 - )  
 Battery and Cables (060001 - )  
 Battery and Cables (060001 - )  
 Battery and Cables (060001 - )  
 Battery and Cables (060001 - )



PU39215 A.1

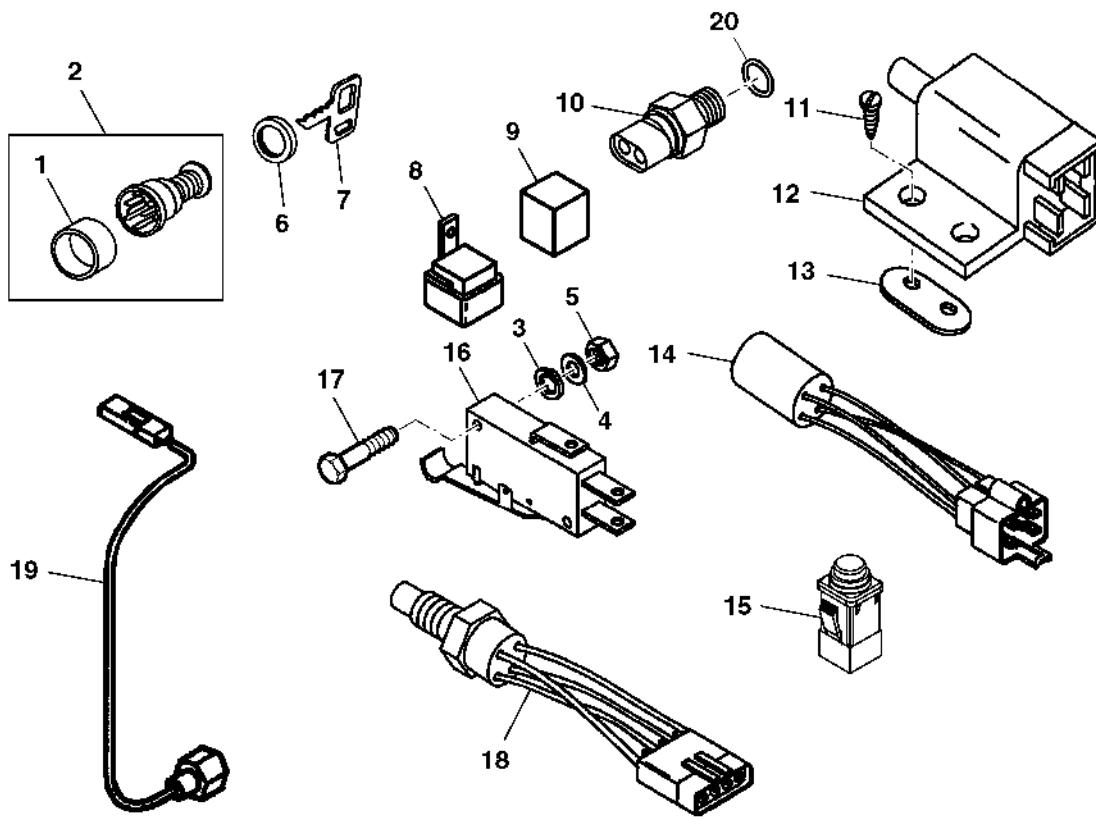


PU39215

Key	Part No.	Part Name	Qty.	Serial No.	Remarks
1	TY25876	Dry Charged Battery	1		ORDER TY25876B OR MCYP25876, 12V For Canada and USA Not for Canada and USA
	TY25876B	Wet Charged Battery	1		
	MCYP25876	Wet Charged Battery	1		
2	TCA20406	Battery Cable	1		Positive
3	TCA20407	Battery Cable	1		Negative
4	TCU29064	Base	1		Battery
5	14M7396	Lock Nut	7		M8 SUB FOR APPL M119854, Battery
6	M111150	Strap	1		
7	M81353	Bolt	2		
8	14H785	Nut	2		5/16"
9	19M7866	Screw	3		M8 X 20
10	19M7867	Screw	1		M8 X 25
11	03M7184	Bolt	2		M8 X 20
12	H75541	Clamp	3		
13	19M7783	Screw	1		M10 X 16
14	12M7066	Lock Washer	1		10 mm
15	19M7864	Screw	2		M8 X 12
16	M809307	Strap	4		
17	TCU30010	Boot	1		
18	TCU30009	Fuse	1		300 A, Buss Bar
19	TCU30008	Fuse	1		30 A - 300 A
20	M153119	Boot	1		Starter Cable
21	M40333	Lock Nut	1		
22	TCU24209	Clip	1		

Switches and Relays (- 060000)  
 Switches and Relays (- 060000)  
 Switches and Relays (- 060000)  
 Switches and Relays (- 060000)  
 Switches and Relays (- 060000)  
 Switches and Relays (- 060000)

PU02064 A.1



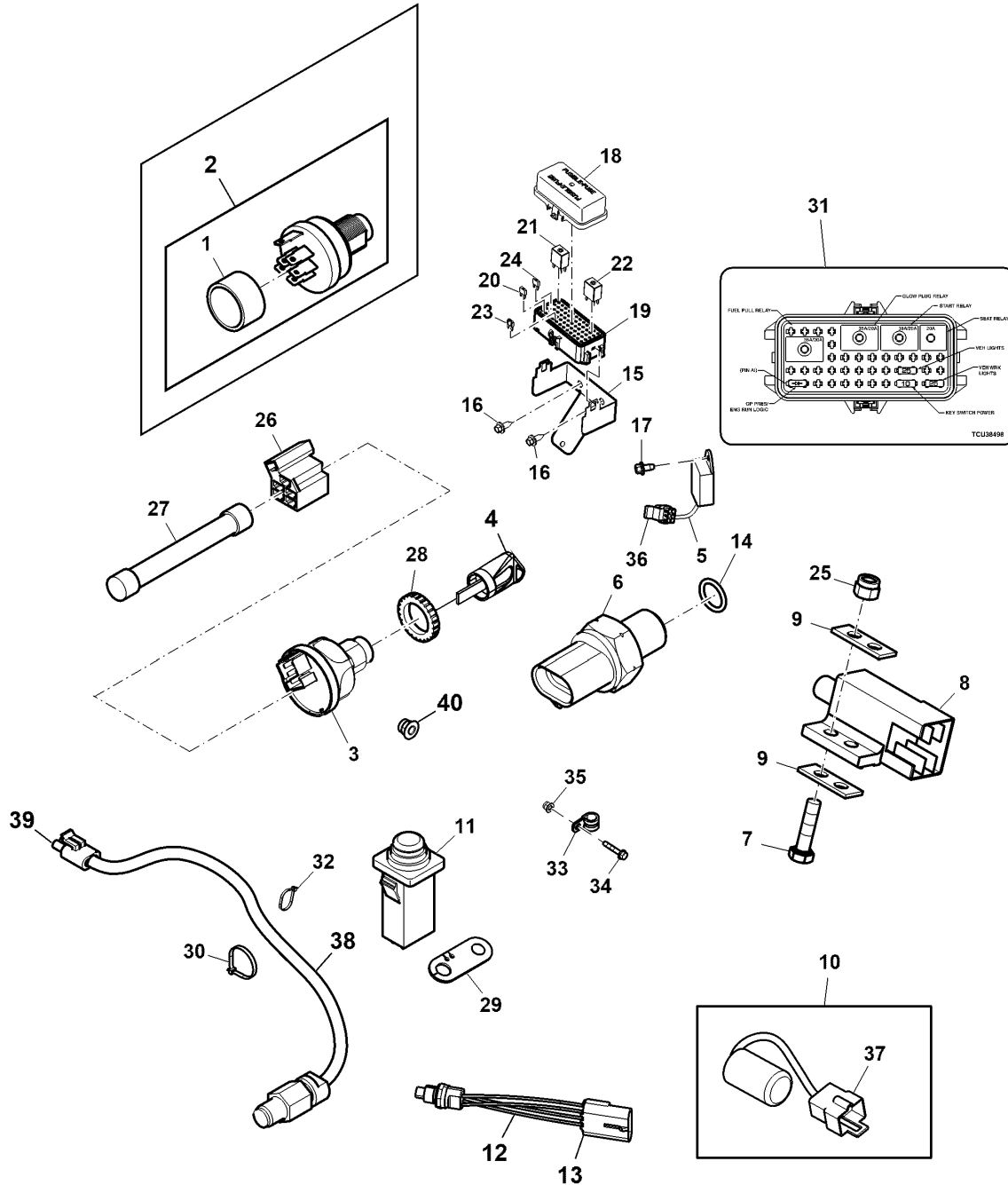
PU02064



Key	Part No.	Part Name	Qty.	Serial No.	Remarks
1	AM107076	Boot Kit	1		ORDER TCA22740
2	TCA22740	Rotary Switch	1		SUB FOR TCA15075, Ignition
3	12H370	Lock Washer	1		0.164"
4	24H1281	Washer	1		5/32" X 3/8" X 0.049"
5	14H602	Nut	1		1/8"
6	M110159	Nut	1		
7	AM131841	Key	2		
8	AM123716	Relay	3		Sealed W/ Bracket
9	AM138537	Module	1		Glow Plug, SUB FOR AM100819
10	RE39116	Switch Kit	1		Neutral Start
	MIA881067	Switch	1		ALSO ORDER R26448
11	37H129	Screw	2		
12	AM124376	Switch	1		Brake
13	M141048	Strap	1		
14	AM128907	Module	1		Seat Delay
15	AM129740	Switch	1		Snap In
16	TCU25024	Switch	1		Park Brake, SUB FOR M143523
17	R92205	Screw	2		
18	TCA18278	Switch	1		Temperature Control, SUB FOR M144784
19	AM125581	Speed Sensor	1		
20	R26448	O-Ring	1		

Relays and Switches (060001 - )  
 Relays and Switches (060001 - )  
 Relays and Switches (060001 - )  
 Relays and Switches (060001 - )  
 Relays and Switches (060001 - )  
 Relays and Switches (060001 - )

TC584797 A.1

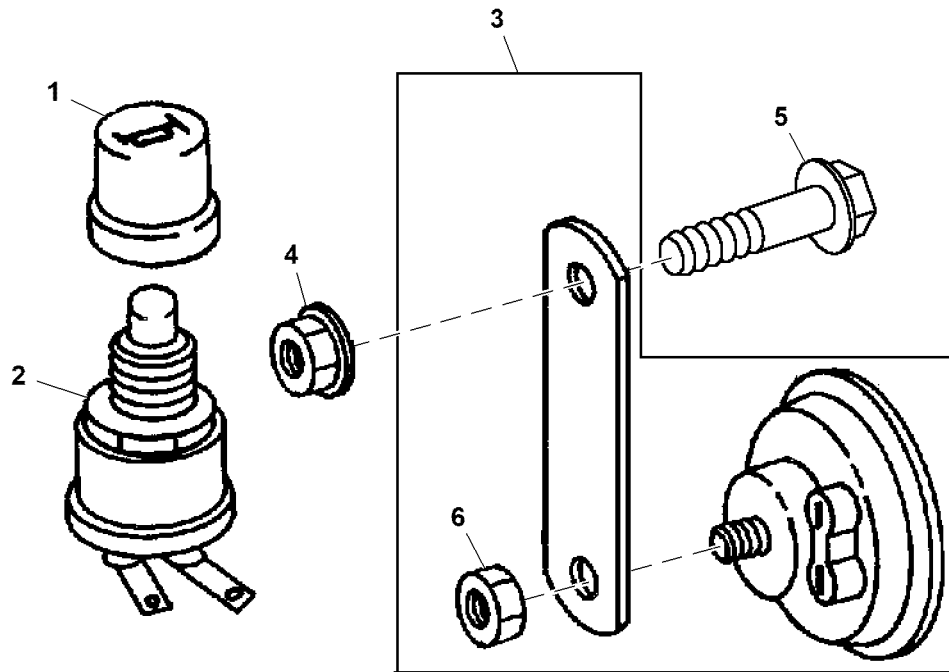


TC584797

Key	Part No.	Part Name	Qty.	Serial No.	Remarks
1	AM107076	Boot Kit	1		ORDER TCA22740
2	TCA22740	Rotary Switch	1	-080000	SUB FOR TCA15075 OR AM107076; Ignition
3	AUC18708	Rotary Switch	1	080001-	SUB FORAUC15805 OR TCA26088 OR TCA24615 OR UC10104 OR AUC13979; Ignition
4	AUC12681	Key	1		Ignition
5	TCA12346	Wiring Harness	1		Control Module
6	MIA881067	Switch	1		Neutral
7	19M7373	Cap Screw	2		M5 X 20
8	AM124376	Switch	1		Delta Brake
9	M94087	Strap	2		
10	AM128907	Wiring Harness	1		Seat Delay Module
11	AM129740	Switch	1		PTO
12	TCA18278	Temperature Switch	1		Dual Output
13	R78055	Elec. Connector Housing	1		
	57M7251	Elec. Connector Terminal	4		
	R78059	Elec. Connector Seal	4		
14	R26448	O-Ring	1		
15	TCU29335	Bracket	1		Fuse Box
16	37M7463	Screw	2		M8 X 16, SUB FOR APPL GX22456
17	37M7458	Screw	4		M6 X 12
18	57M10283	Cover	1		
19	57M10282	Fuse Box	1		TYCO TIMER 60W FEM
20	RE180265	Diode	1		
21	57M13762	Relay	3		12 V, ORDER SJ15809; SUB FOR 57M10284, Fuel Shutoff, Pre-Heat and Start
	SJ15809	Relay	3		12 V, Fuel Shutoff, Pre-Heat and Start
22	AT318410	Relay	1		12 V, Seat
23	57M7689	Fuse	1		10 A
24	57M8623	Fuse	1		25 A
25	14M7360	Lock Nut	2		M5
26	57M9482	Elec. Connector Housing	1		
27	TCA24910	Wiring Harness	1		Key Switch Jumper
28	M110159	Nut	1		
29	UC17370	Grommet	1		SUB FOR M141440
30	R76477	Tie Band	2		
31	TCU38498	Label	1		Load Center
32	H77698	Tie Band	2		Strap-Self Locking
33	T78787	Clamp	1		
34	19M8318	Screw	1		M8 X 45
35	14M7396	Lock Nut	1		M8
36	57M7260	Elec. Connector Housing	1		Fuel Shutoff Module
37	T24166	Elec. Connector Housing	1		
38	AM125581	Speed Sensor	1		
39	RE12363	Elec. Connector Housing	1		
	R78060	Elec. Connector Terminal	2		
	R78063	Elec. Connector Seal	2		
40	14M7397	Lock Nut	1		M6

Horn Kit  
 Horn Kit  
 Horn Kit  
 Horn Kit  
 Horn Kit  
 Horn Kit

PU36179 A.1



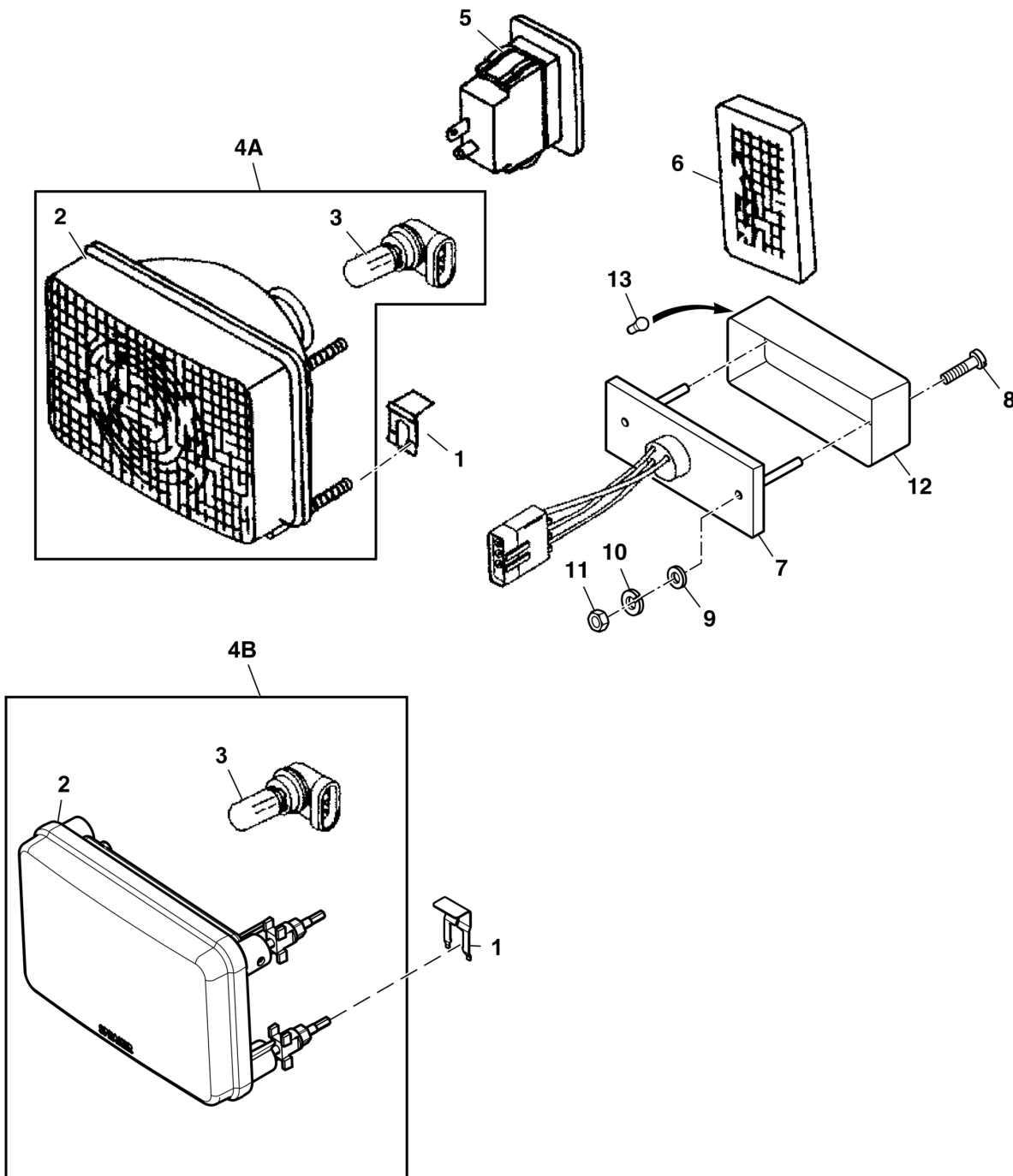
PU36179

Key	Part No.	Part Name	Qty.	Serial No.	Remarks
1	T55501	Cap	1		Cover, Horn Switch Interruptor
2	AR20235	Switch	1		
3	AL203265	Horn Kit	1		SUB FOR AL114614
4	14M7396	Lock Nut	1		M8
5	19M7865	Screw	1		M8 X 16,
6	14M7273	Nut	1		M8



Headlight and Stop Light  
Headlight and Stop Light  
Headlight and Stop Light  
Headlight and Stop Light  
Headlight and Stop Light  
Headlight and Stop Light

PU49401 A.1

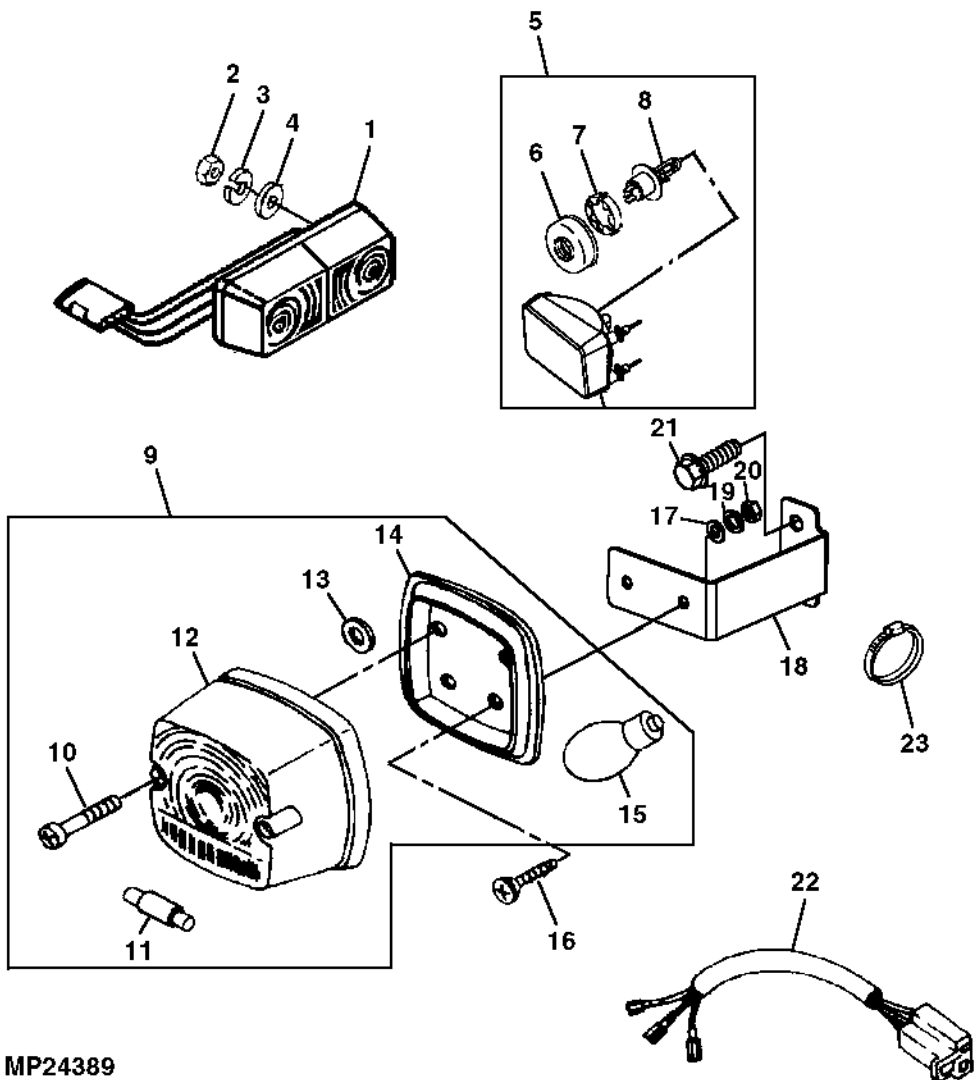


PU49401

Key	Part No.	Part Name	Qty.	Serial No.	Remarks
1	R105130	Clip	12		
2	.....	Lens	1		ORDER AM126282
3	R136239	Bulb	1		50 W
4A	AM126282	Headlight	2	-130000	
4B	AUC16664	Headlight	2	130001-	
5	AM117324	Switch	1		Lights-High Beam
6	M134778	Reflector	2		Amber
7	AM125732	Stop Light	2		INCLUDES AR48041 AND M157301
8	21H1274	Screw	4		0.190" X 2-1/2"
9	24H1283	Washer	4		7/32" X 1/2" X 0.049"
10	12H246	Lock Washer	4		0.190"
11	14H778	Nut	4		0.190"
12	M157301	Lens	2		Red
13	AR48041	Bulb	2		14 V

Head Lamp and Tail Lamp (For Europe)  
 Head Lamp and Tail Lamp (For Europe)  
 Head Lamp and Tail Lamp (For Europe)  
 Head Lamp and Tail Lamp (For Europe)  
 Head Lamp and Tail Lamp (For Europe)  
 Head Lamp and Tail Lamp (For Europe)

MP24389 A.1



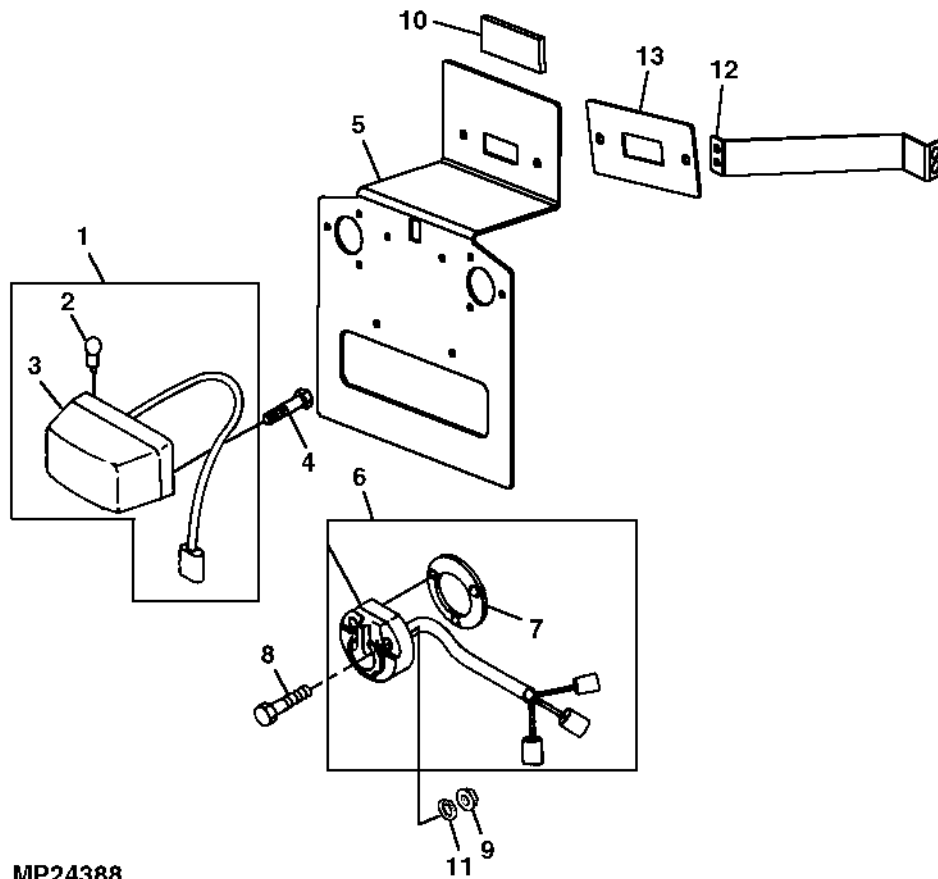
MP24389



Key	Part No.	Part Name	Qty.	Serial No.	Remarks
1	AM126213	Stop Light	2		Red and Amber
2	14M7297	Nut	4		M5
3	12H316	Lock Washer	4		0.216"
4	24M7138	Washer	4		5.300 X 15 X 1 mm
5	AM120326	Headlight	2		
6	R122857	Seal	1		
7	R122858	Locking Collar	1		
8	57M7166	Bulb	1		
9	AL58739	Side Light	2		
10	.....	Screw	2		ORDER AL58739
11	57M6274	Bulb	1		5 W
12	.....	Lens	1		ORDER AL58739
13	.....	Grommet	1		ORDER AL58739
14	.....	Holder	1		ORDER AL58739
15	57M7014	Bulb	2		
16	21M7216	Screw	4		M4 X 20
17	24M7138	Washer	4		5.300 X 15 X 1 mm
18	M130770	Bracket	1		SUB FOR VGA10412
19	12H246	Lock Washer	4		0.190"
20	14M7100	Nut	4		M4
21	19M7865	Screw	2		M8 X 16
22	AM107665	Wiring Harness	1		
23	H77698	Tie Band	2		SUB FOR M78480

Trailer Outlet and Bracket (For Europe)  
 Trailer Outlet and Bracket (For Europe)  
 Trailer Outlet and Bracket (For Europe)  
 Trailer Outlet and Bracket (For Europe)  
 Trailer Outlet and Bracket (For Europe)  
 Trailer Outlet and Bracket (For Europe)

MP24388 A.1



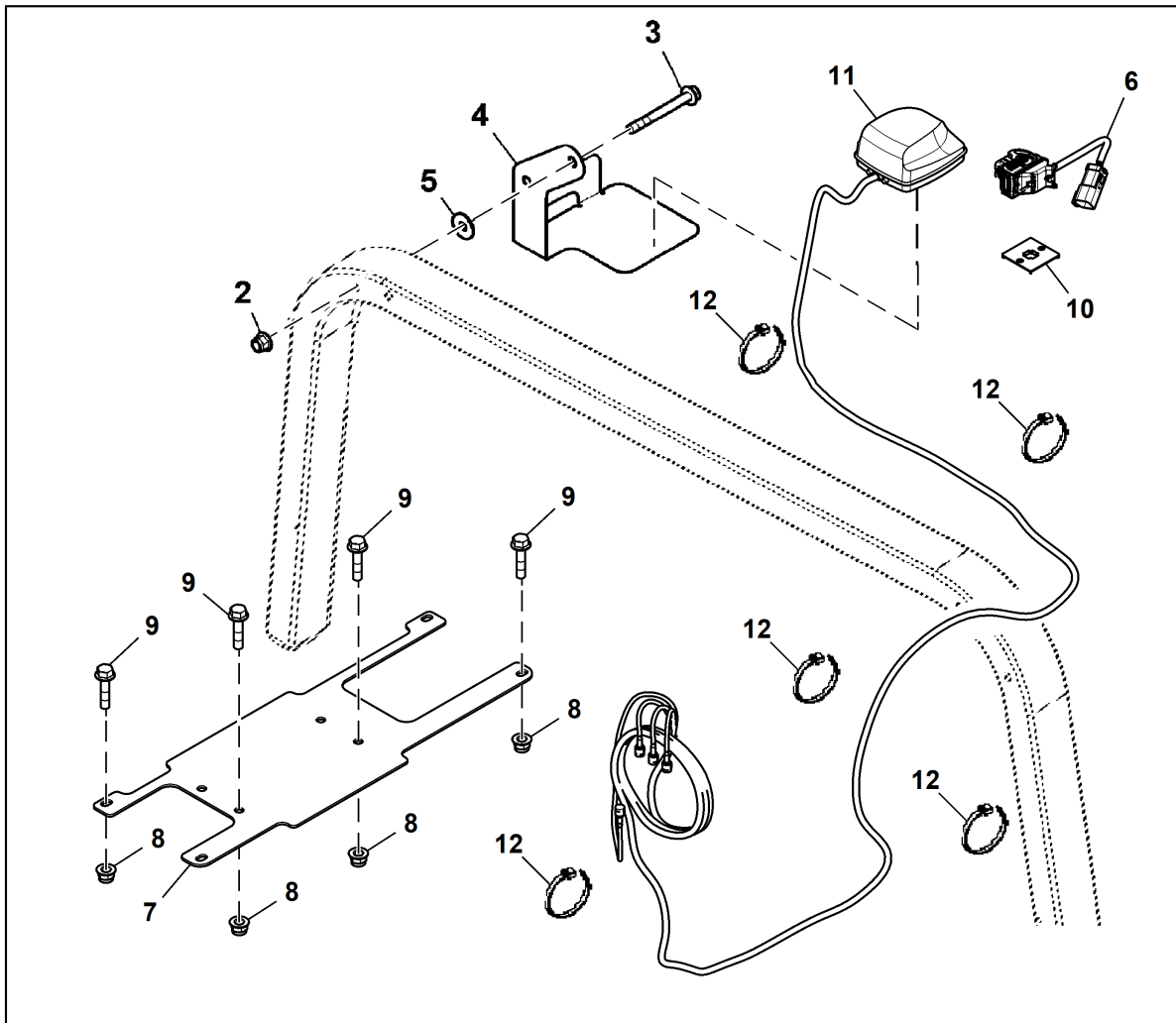
MP24388

Key	Part No.	Part Name	Qty.	Serial No.	Remarks
1	AM118930	Lamp	1		License plate lamp
2	57M7013	Bulb	1		SUB FOR M118986
3	AL59724	Lamp	1		
4	M71190	Screw	2		
5	M143856	Bracket	1		SUB FOR VGA10415
6	AM117401	Harness Kit	1		TRAILER CONNECTOR
7	M93671	Gasket	1		
8	21M7325	Screw	3		M5 X 30
9	14M7297	Nut	3		M5
10	M144627	Reflector	2		
11	12H316	Lock Washer	3		0.216"
12	M144505	Support	1		SUB FOR VGA10416
13	M144945	Plate	1		SUB FOR VGA10417

Mobile Communication Equipment Kit  
Mobile Communication Equipment Kit  
Mobile Communication Equipment Kit  
Mobile Communication Equipment Kit  
Mobile Communication Equipment Kit  
Mobile Communication Equipment Kit



PU51109 A.1



PU51109

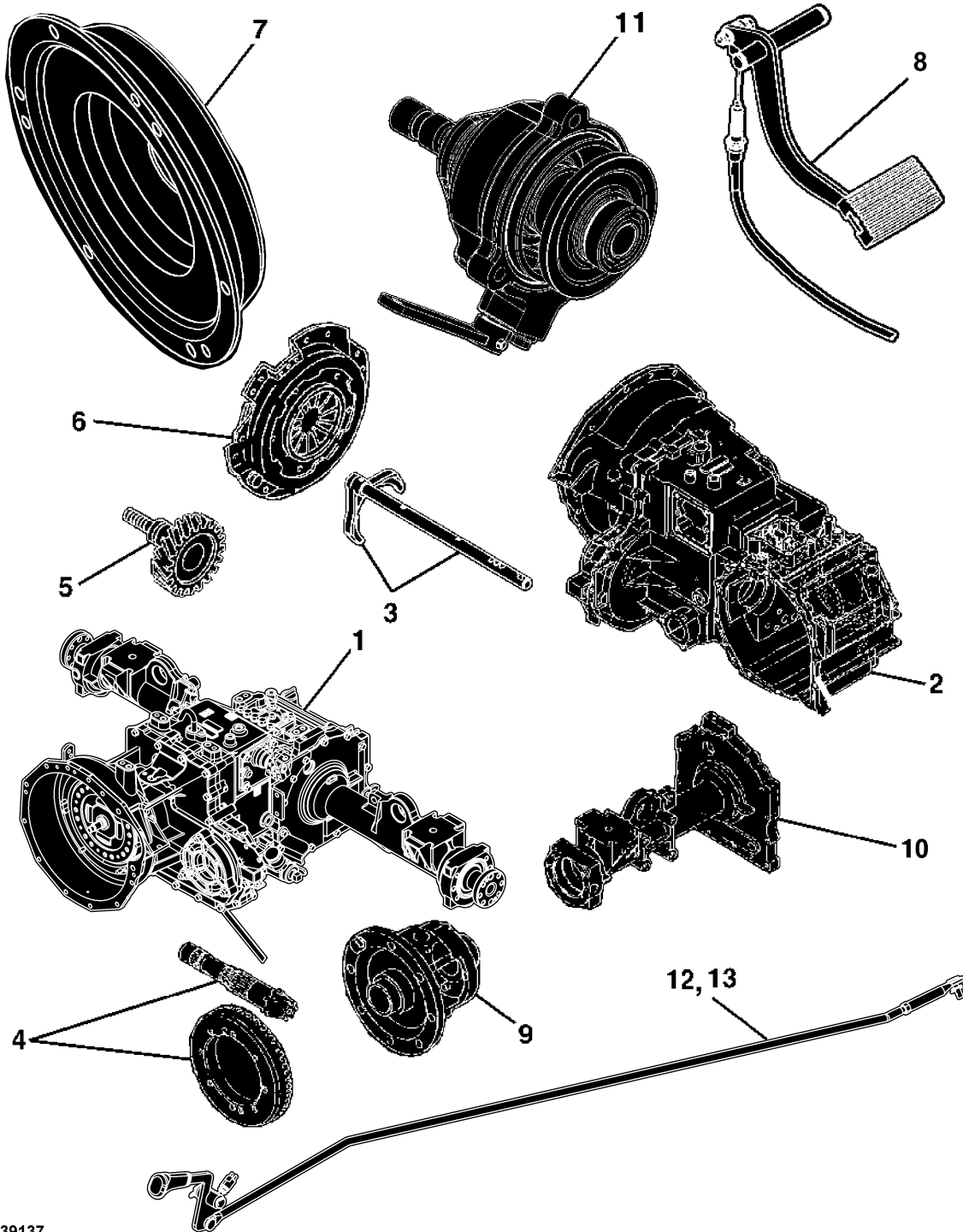
Key	Part No.	Part Name	Qty.	Serial No.	Remarks
1	BUC10885	Bracket Kit	1		
2	14M7401	Lock Nut	2		M12
3	19M7837	Screw	2		M12 X 110
4	UC24042	Bracket	1		
5	24M7180	Washer	2		13 X 37 X 3 mm
6	AUC15495	Wiring Harness	1		
7	UC13915	Bracket	1		
8	14M7396	Lock Nut	8		M8
9	19M7897	Screw	8		M8 X 35
10	57M11210	Elec. Connector Accessory	3		
11	PFA10882	Antenna	1		High Performance
12	H77698	Tie Band	10		



Sectional Pictorial Index  
 Index d'illustrations par sections.  
 Gruppenbildindex  
 Indice illustrato delle sezioni  
 Índice de ilustraciones por secciones  
 Avsnittsbildregister

PU39137 A.1

1-	165
2-	166
3-	168
4-	170
5-	172
6-	174
7-	176
8-	178
9-	180
10-	182
11-	184
12-	186
13-	188

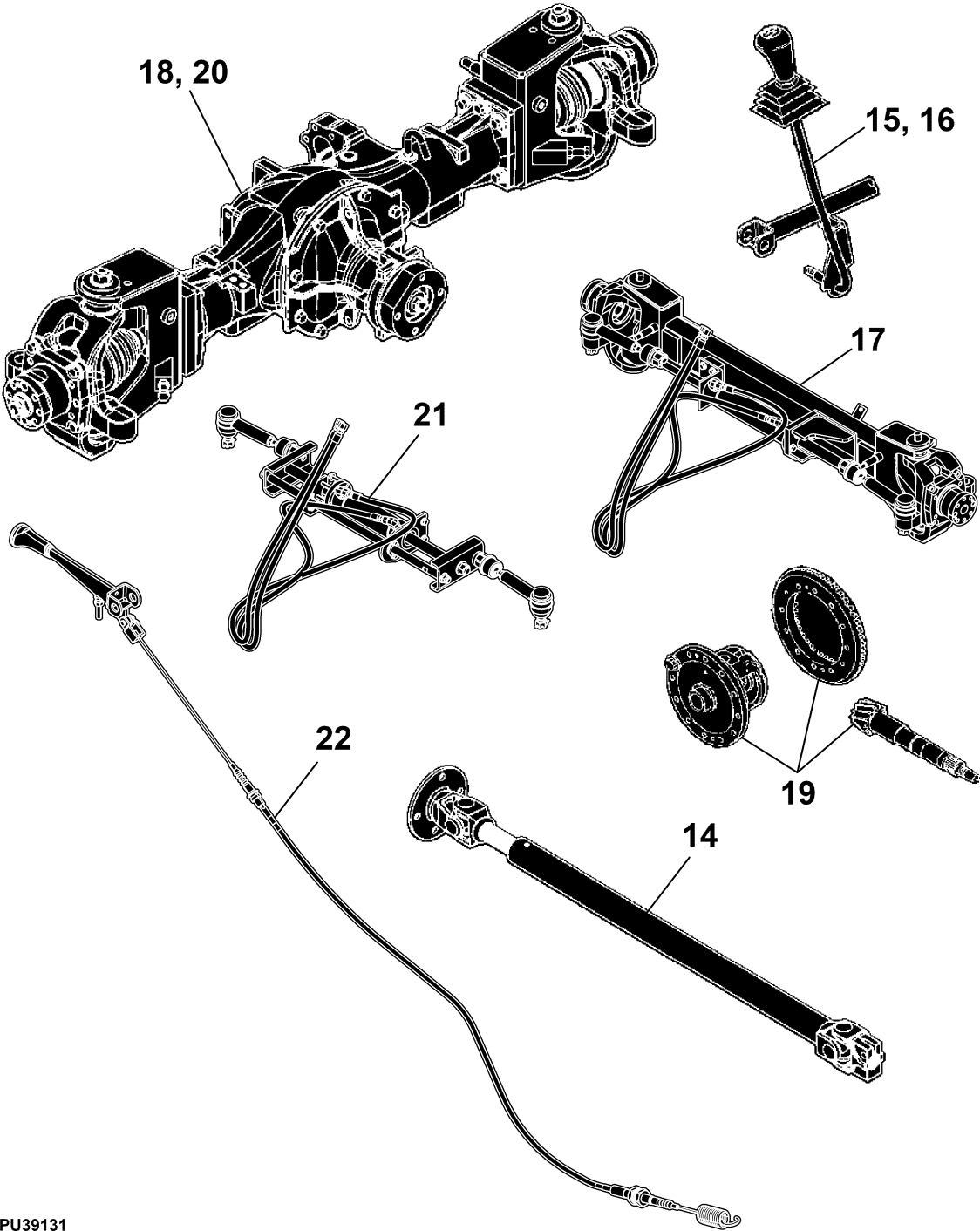


PU39137

Sectional Pictorial Index  
Index d'illustrations par sections.  
Gruppenbildindex  
Indice illustrato delle sezioni  
Indice de ilustraciones por secciones  
Avsnittsbildregister

PU39131 A.1

14-	190
15-	192
16-	194
17-	196
18-	198
19-	200
20-	202
21-	204
22-	206

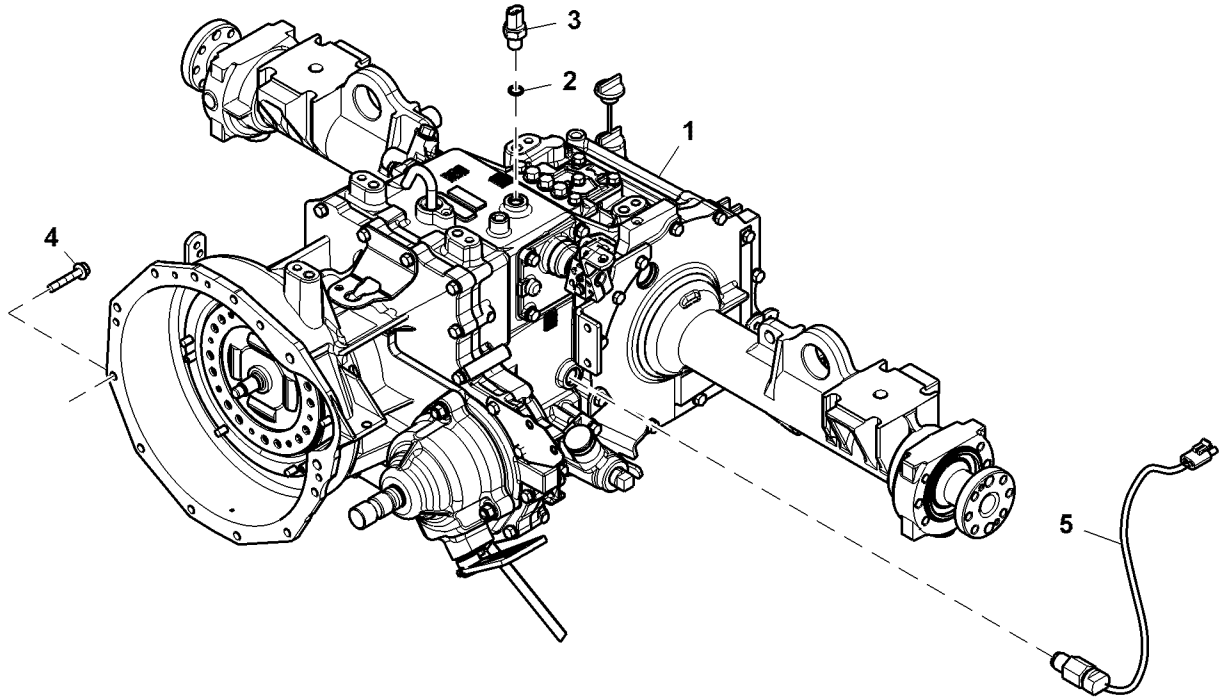


PU39131



Transaxle  
 Transaxle  
 Transaxle  
 Transaxle  
 Transaxle

PU28556 A.1

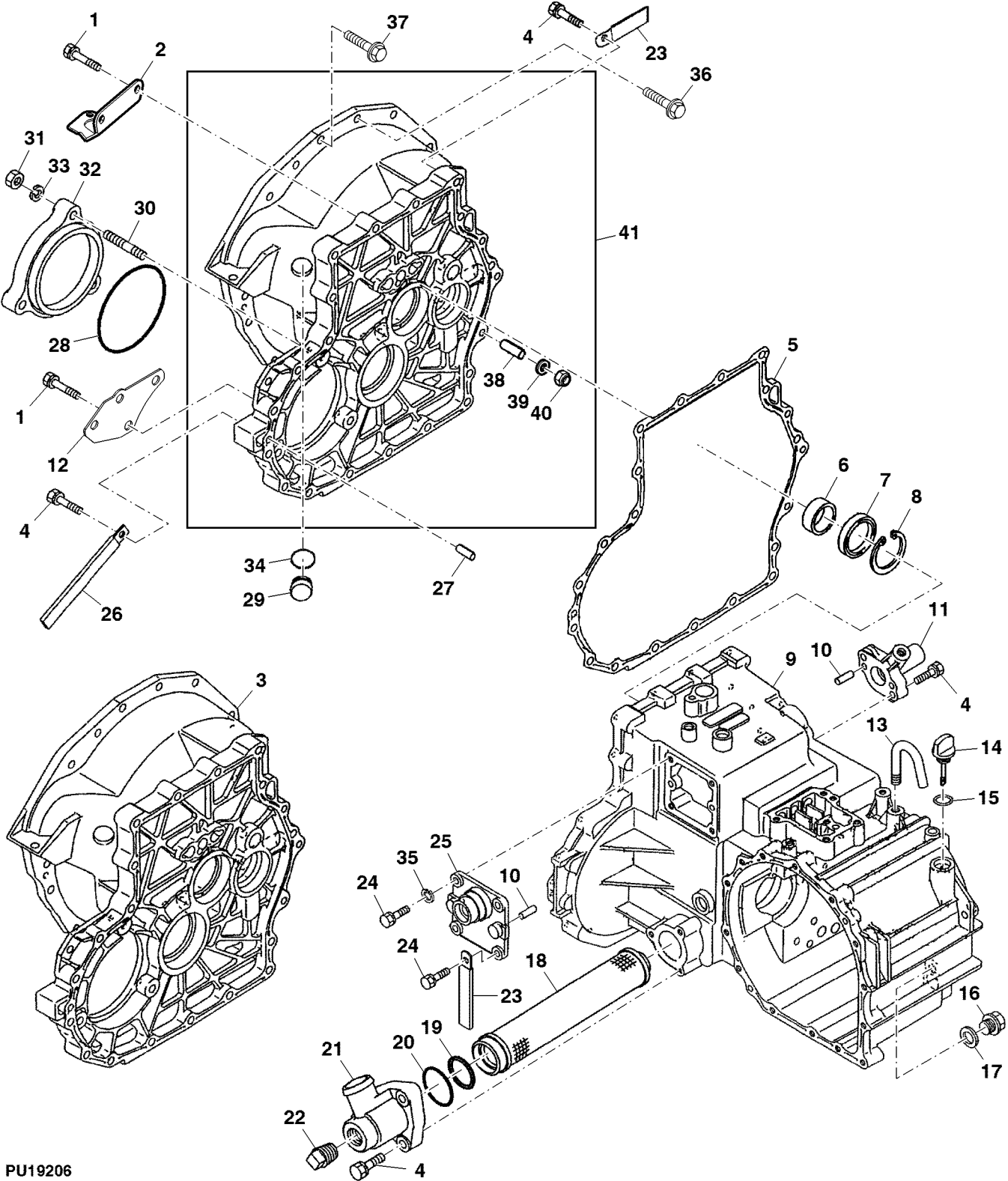


**PU28556**

Key	Part No.	Part Name	Qty.	Serial No.	Remarks
1	MIA10613	Transaxle	1		MARKED 7N3590-24010; ORDER MIA13118, 2WD
	MIA11964	Transaxle	1		MARKED 7N3590-24030; ORDER MIA12489, 2WD
	MIA12489	Transaxle	1		MARKED 7N3590-24050; ORDER MIA13118, 2WD
	MIA13118	Transaxle	1		MARKED 7N3590-24070, 2WD
	MIA10797	Transaxle	1		MARKED 7N3590-24020; ORDER MIA11965, W/ PTO, 4WD
	MIA11965	Transaxle	1		MARKED 7N3590-24040; ORDER MIA12490, W/ PTO, 4WD
2	MIA12490	Transaxle	1		MARKED 7N3590-24060; ORDER MIA13119, W/ PTO, 4WD
	MIA13119	Transaxle	1		MARKED 7N3590-24080, W/ PTO, 4WD
	R26448	O-Ring	1		
3	MIA881067	Switch	1		SUB FOR RE12411; ALSO ORDER R26448; Neutral
4	19M7799	Screw	2	060001-	M8 X 45
5	AM125581	Speed Sensor	1	060001-	Speedometer W/ Leads
6	MIA10615	Clutch	1		SUB FOR MIA11965, 4WD, Components on Separate Page

Transaxle Case  
Transaxle Case  
Transaxle Case  
Transaxle Case  
Transaxle Case  
Transaxle Case

PU19206 A.1

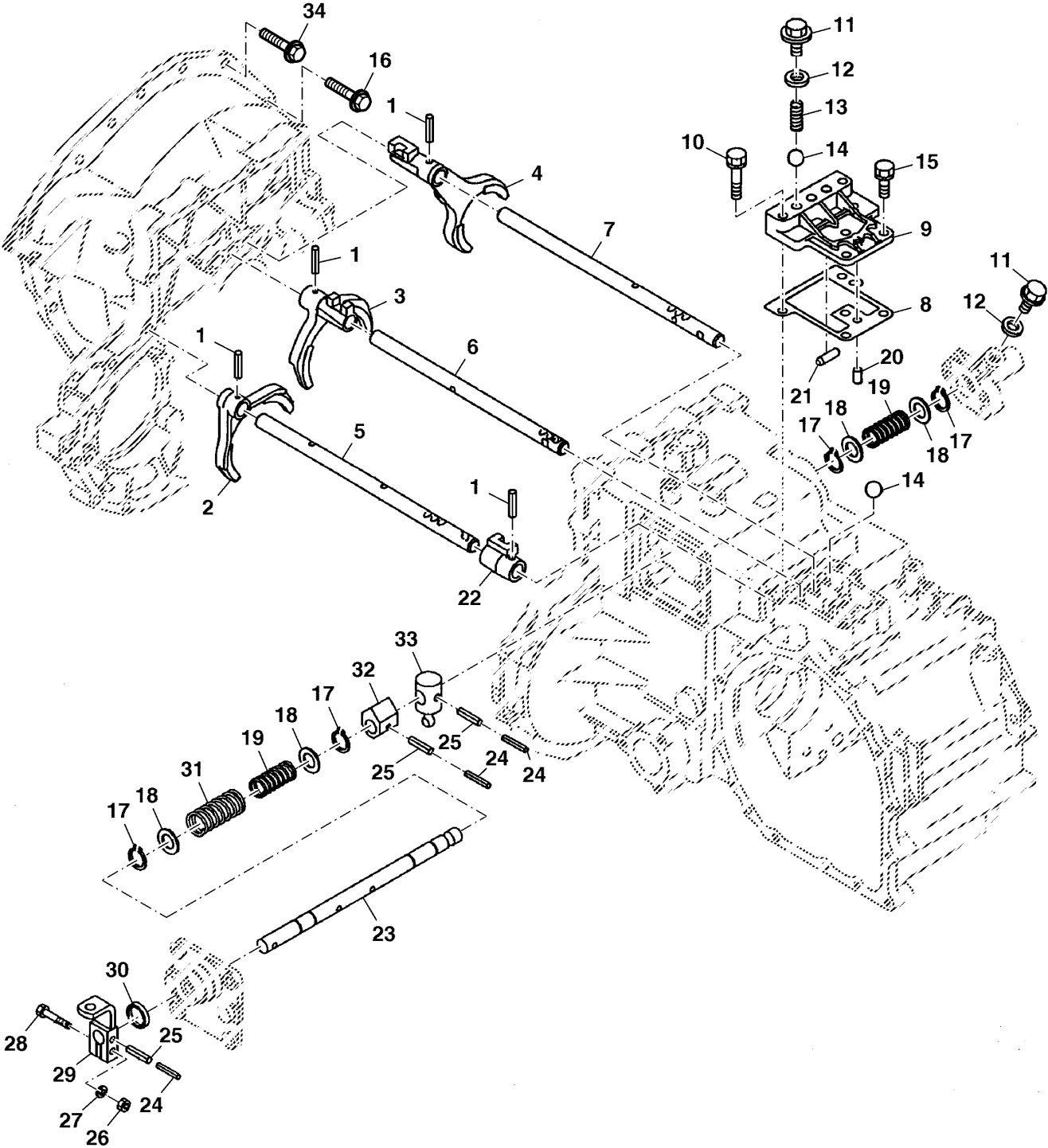


PU19206

Key	Part No.	Part Name	Qty.	Serial No.	Remarks
1	ET20005	Screw With Washer	4		
2	MIU803779	Bracket	1		
3	M810503	Housing	1		SUB FOR M810517; Shift Rod Clutch
4	M800566	Screw With Washer	20		
5	TY15934	Gasket	1		NLA
6	CH14967	Sleeve	1		
7	CH14633	Seal	1		
8	CH11487	Ring	1		
9	M809979	Transmission Case	1		ORDER MIU801967
	MIU801967	Transmission Case	1		
10	CH17294	Pin	4		
11	M809304	Housing	1		
12	MIA883465	Bracket	1	080001-	
13	M809294	Breather	1		
14	M809423	Dipstick	1	-060000	
	CH14631	Dipstick	1	060001-070000	
	MIU802008	Dipstick	1		ORDER MIA883587
	MIA883587	Dipstick	1		ORDER MIA883622; INCLUDES CH14634
	MIA883622	Dipstick	1		INCLUDES MIU804786
15	MIU804786	O-Ring	1		SUB FOR CH14634
16	M809254	Drain Plug	1	-060000	
	MIU800459	Drain Plug	1	060001-	
17	M809255	Gasket	1		
18	M800489	Strainer	1		
19	CH14701	O-Ring	1		
20	CH13520	O-Ring	1		
21	M800488	Adapter Fitting	1		
22	15H584	Pipe Plug	1		1/2"
23	M809256	Clamp	2		
24	19M7163	Cap Screw	4		M8 X 25
25	M809302	Cover	1		Case
26	M809307	Clamp	1		
27	M802255	Pin	2		
28	CH13522	O-Ring	1		
29	M807544	Cap	2		
30	M809257	Stud	3		
31	14M7274	Nut	3		M10
32	M809303	Cover	1		2WD
33	12M7066	Lock Washer	3		10 mm
34	CH13526	O-Ring	1		
35	12M7065	Lock Washer	4		8 mm
36	19M7866	Screw	1		M8 X 20
37	19M7865	Screw	2		M8 X 16
38	LVU800577	Stud	1		
39	M88125	Washer	1		
40	14M7273	Nut	1		M8
41	MIA884153	Housing	1		SUB FOR MIA881909; Clutch

Transaxle Gear Shift Forks and Shafts  
Transaxle Gear Shift Forks and Shafts  
Transaxle Gear Shift Forks and Shafts  
Transaxle Gear Shift Forks and Shafts  
Transaxle Gear Shift Forks and Shafts  
Transaxle Gear Shift Forks and Shafts

PU33325 A.1

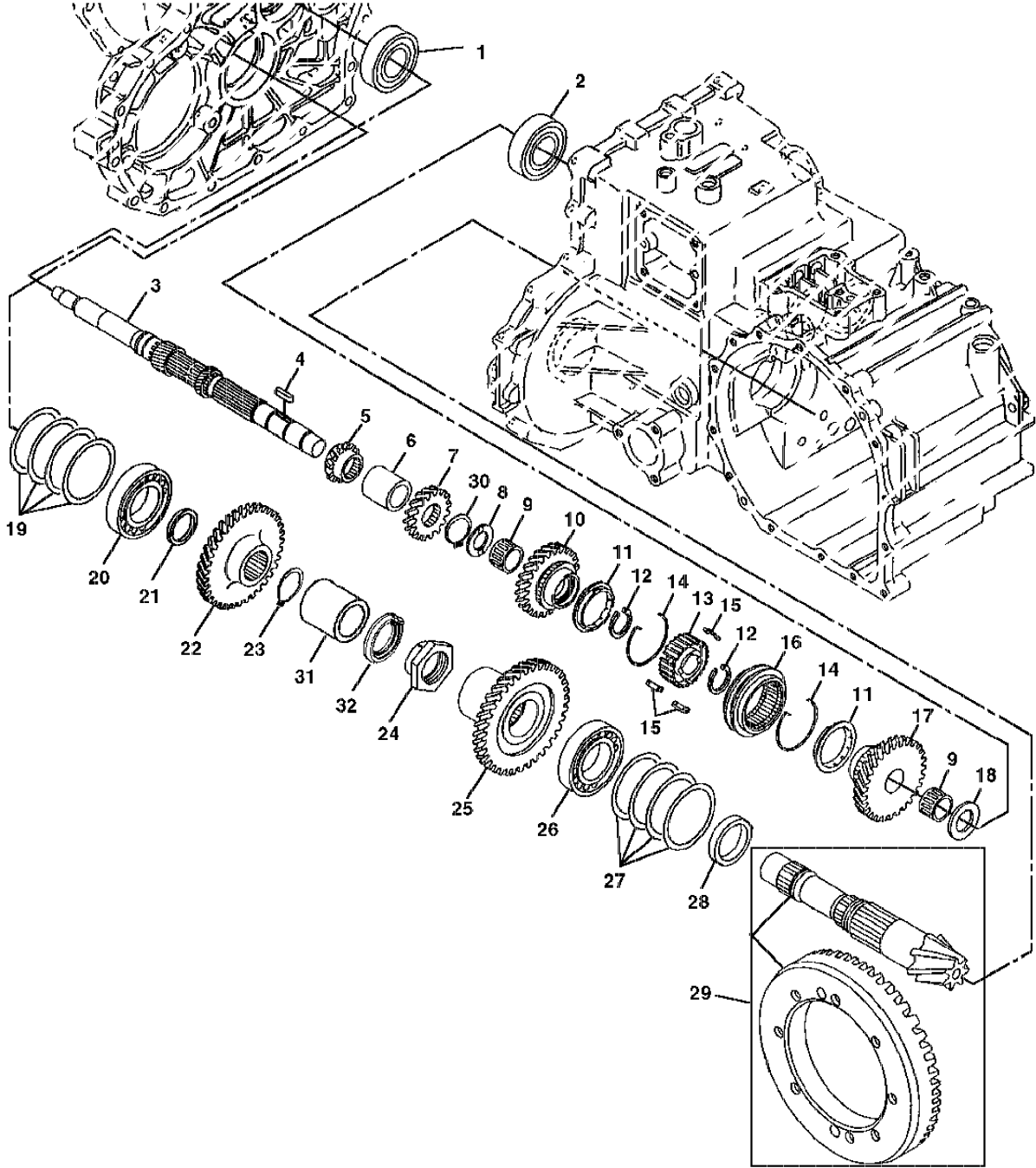


PU33325

Key	Part No.	Part Name	Qty.	Serial No.	Remarks
1	CH11501	Pin	4		
2	M809339	Fork	1		
3	M809340	Fork	1		
4	M809341	Fork	1		
5	M809342	Shaft	1		
6	M809343	Shaft	1		
7	M809344	Shaft	1		
8	M809337	Gasket	1		Cover
9	M809336	Cover	1		
10	ET20005	Screw With Washer	4		
11	M808812	Bolt	4		ORDER MIU802020
	MIU802020	Bolt	4		
12	T110750	Seal	4		
13	M809346	Spring	3		
14	R26552	Ball	5		7.938 mm
15	19M7163	Cap Screw	3		M8 X 25, ALSO ORDER 12M7065
	12M7065	Lock Washer	3		8 mm
16	19M7897	Screw	2		M8 X 35
17	CH14443	Snap Ring	4		
18	M809263	Spacer	4		
19	M809347	Spring	2		Selector
20	M802255	Pin	2		
21	M809345	Pin Fastener	1		
22	M809338	Shift Collar	1		
23	M809353	Shaft	1		Selector
24	CH10891	Pin	3		
25	CH12304	Pin	3		
26	14M7272	Nut	1		M6
27	12M7006	Lock Washer	1		6 mm
28	M809394	Bolt	1		
29	M809349	Arm	1		Control
30	M809265	Seal	1		
31	M809348	Spring	1		
32	M809426	Arm	1		
33	M809425	Fitting	1		
34	19M7867	Screw	6		M8 X 25
35	TCU14292	Hose	1		Not Illustrated

Input Shaft  
Input Shaft  
Input Shaft  
Input Shaft  
Input Shaft  
Input Shaft

PU33406 A.1

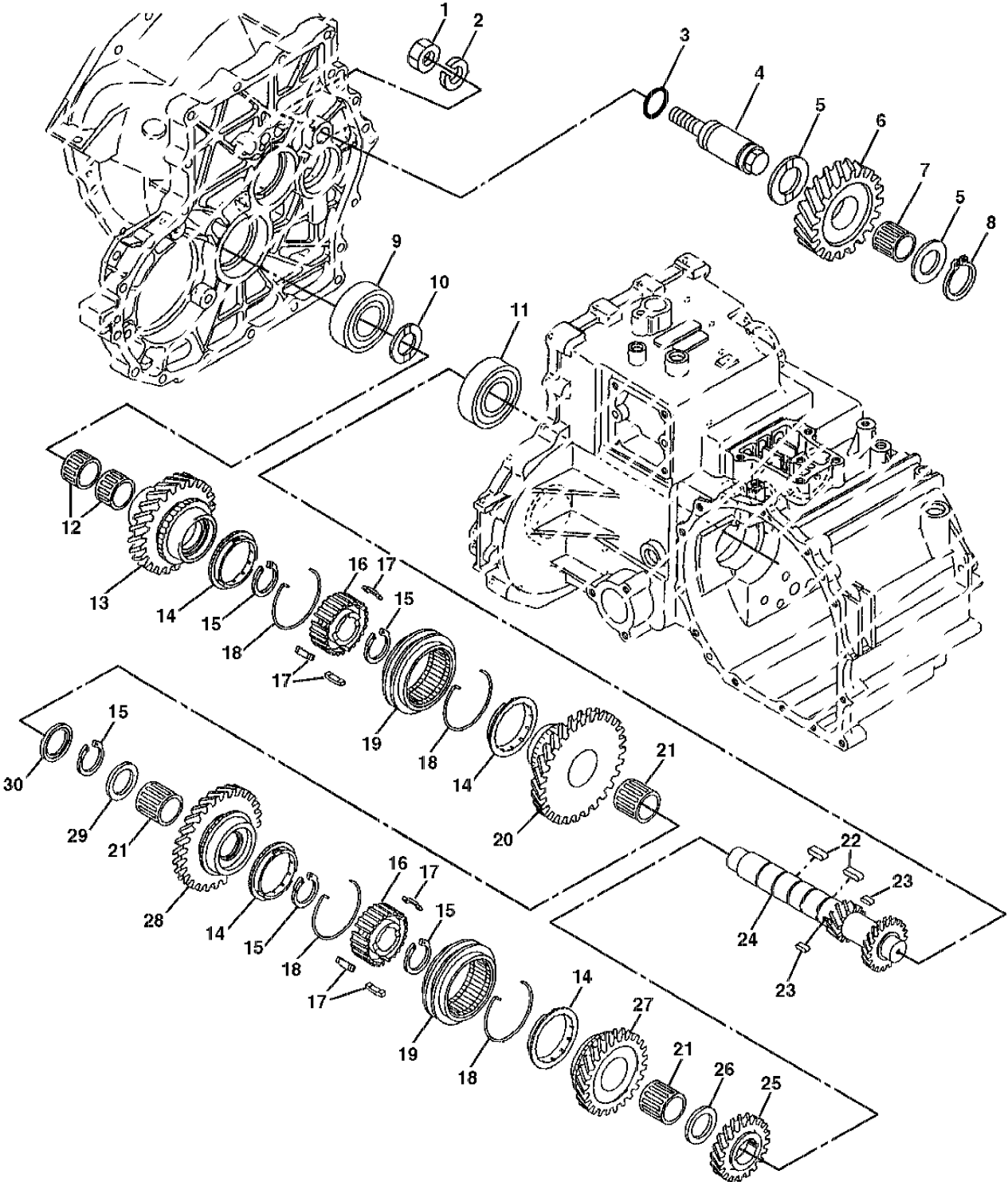


PU33406

Key	Part No.	Part Name	Qty.	Serial No.	Remarks
1	M810515	Bearing	1		
2	M809259	Bearing	1		
3	M809660	Shaft	1		Input
4	M807397	Shaft Key	1		
5	M809661	Gear	1		Z = 16
6	M809478	Bushing	1		
7	M809479	Gear	1		Z = 23
8	M800504	Washer	1		
9	M805965	Needle Bearing	2		
10	M809662	Gear	1		Z = 33
11	M809310	Ring	2		
12	M809258	Snap Ring	2		
13	M809601	Hub	1		
14	M809309	Spring	2		
15	M809308	Key	3		
16	M809311	Shifter	1		
17	M809316	Gear	1		Z = 36
18	M809319	Washer	1		
19	AM880468	Shim Kit	1		
20	M809264	Bearing	1		
21	M809361	Bushing	1		
22	M809359	Gear	1		Z = 40
23	M806389	Snap Ring	1		
24	M809667	Lock Nut	1		
25	M809360	Gear	1		Z = 36
26	CH17532	Bearing	1		
27	AM880467	Shim Kit	1		
28	M809363	Bushing	1		
29	AM880315	Ring Gear	1		
30	40M7076	Snap Ring	1		
31	M809564	Bushing	1		
32	M809669	Bushing	1		

Reduction Shaft  
Reduction Shaft  
Reduction Shaft  
Reduction Shaft  
Reduction Shaft  
Reduction Shaft

PU33405 A.1



PU33405

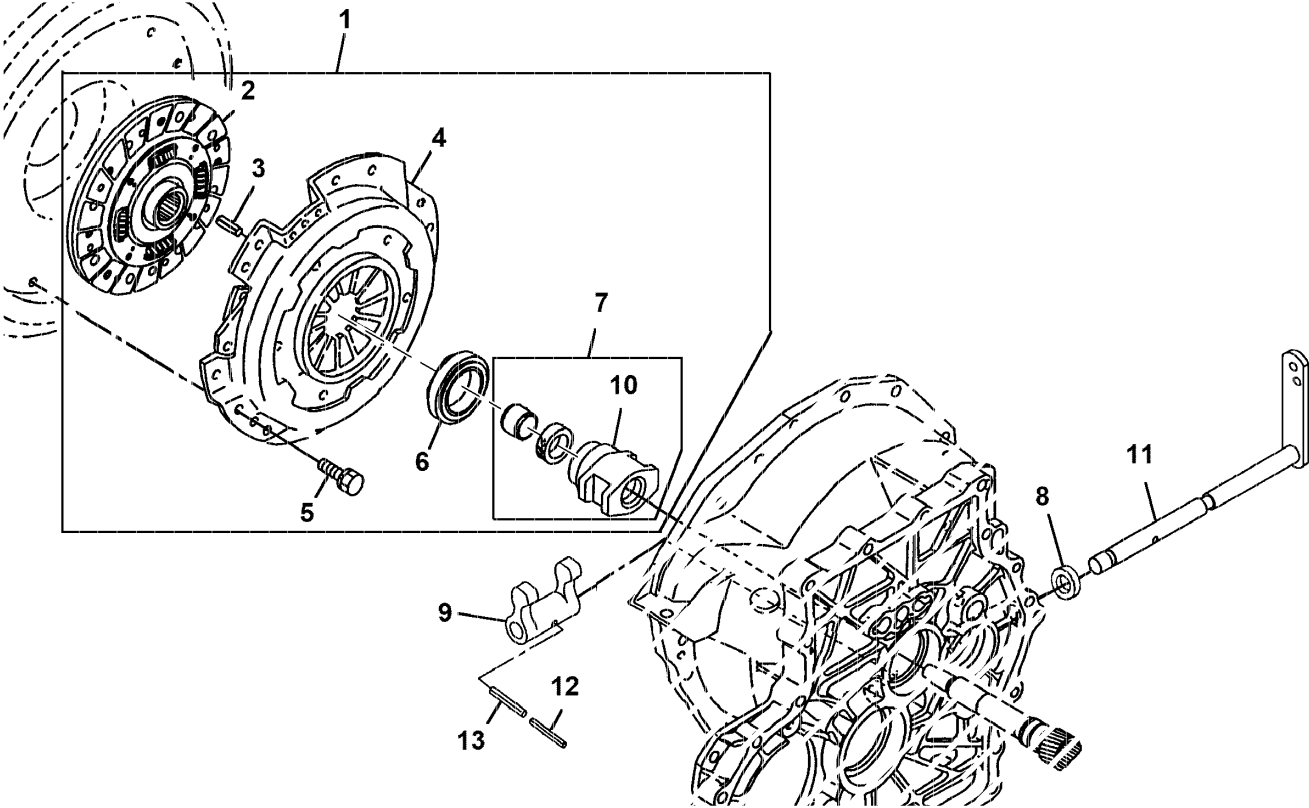


Key	Part No.	Part Name	Qty.	Serial No.	Remarks
1	14M7274	Nut	1		M10
2	12M7066	Lock Washer	1		10 mm
3	MIU804787	O-Ring	1		SUB FOR CH10570
4	M809334	Shaft	1		Reverse
5	M809266	Washer	2		
6	M810070	Gear	1		Z = 28
7	M807396	Needle Bearing	1		
8	40M7080	Snap Ring	1		
9	CH11554	Ball Bearing	1		
10	M809333	Washer	1		
11	M809261	Bearing	1		
12	M809262	Needle Bearing	2		
13	M810069	Gear	1		Z = 38
14	M809329	Ring	4		
15	M809260	Snap Ring	5		
16	M809603	Hub	2		ORDER MIA881250
17	M809308	Key	6		
18	M809328	Spring	4		
19	M809606	Shifter	2		ORDER MIA881250
20	M809604	Gear	1		Z = 50
21	CH11925	Needle Bearing	3		
22	M807397	Shaft Key	2		
23	M809321	Key	2		
24	M809602	Shaft	1		
25	M809326	Gear	1		Z = 28
26	M809332	Washer	1		
27	M809325	Gear	1		Z = 37
28	M809605	Gear	1		Z = 44
29	M809331	Washer	1		
30	M809330	Washer	1		
31	MIA881250	Shifter	2		INCLUDES M809603 AND M809606, Not Illustrated

Clutch Kit and Clutch Shaft  
Clutch Kit and Clutch Shaft  
Clutch Kit and Clutch Shaft  
Clutch Kit and Clutch Shaft  
Clutch Kit and Clutch Shaft  
Clutch Kit and Clutch Shaft



PU39136 A.1

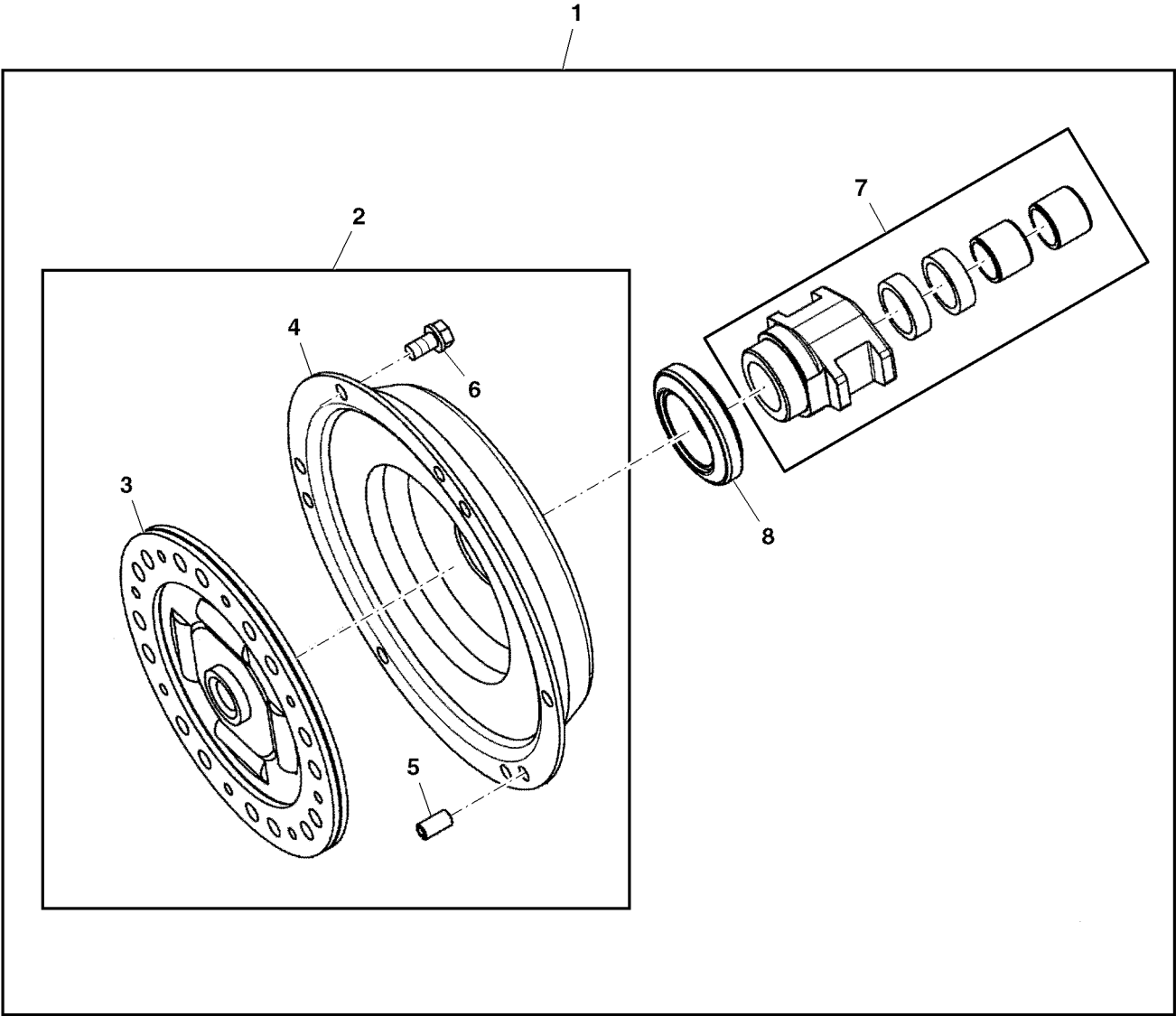


PU39136

Key	Part No.	Part Name	Qty.	Serial No.	Remarks
1	AM880459	Clutch Kit	1		ORDER MIA883461
2	M809221	Clutch Disk	1		
3	34M7160	Spring Pin	3		8 X 16 mm
4	M809222	Plate	1		Pressure
5	19M7162	Cap Screw	6		M8 X 16, ALSO ORDER 12M7065
	12M7065	Lock Washer	6		8 mm
6	CH14769	Ball Bearing	1		
7	MIA883462	Sleeve Kit	1		SUB FOR AM880460 OR M809223
8	M810504	Seal	3		
9	M809296	Yoke	1		USE WITH MIA12489 OR MIA10613 OR MIA11964 OR MIA10797 OR MIA11965 OR MIA12490
	MIU804204	Yoke	1		USE WITH MIA13119 OR MIA13119
10	M809223	Sleeve	1		ORDER MIA883462
11	M810501	Shaft	1		ORDER MIA884161; USE WITH MIA12489 OR MIA10613 OR MIA11964 OR MIA10797 OR MIA11965 OR MIA12490
	MIA884160	Shaft	1		ORDER MIA884161
	MIU804205	Shaft	1		USE WITH MIA13119 OR MIA13119
12	CH10891	Pin	1		
13	CH12304	Pin	1		
14	MIA884161	Shaft Kit	1		INCLUDES MIU804205 AND MIU804204; Not Illustrated

Clutch Kit  
Clutch Kit  
Clutch Kit  
Clutch Kit  
Clutch Kit  
Clutch Kit

PU11691 A.1



PU11691

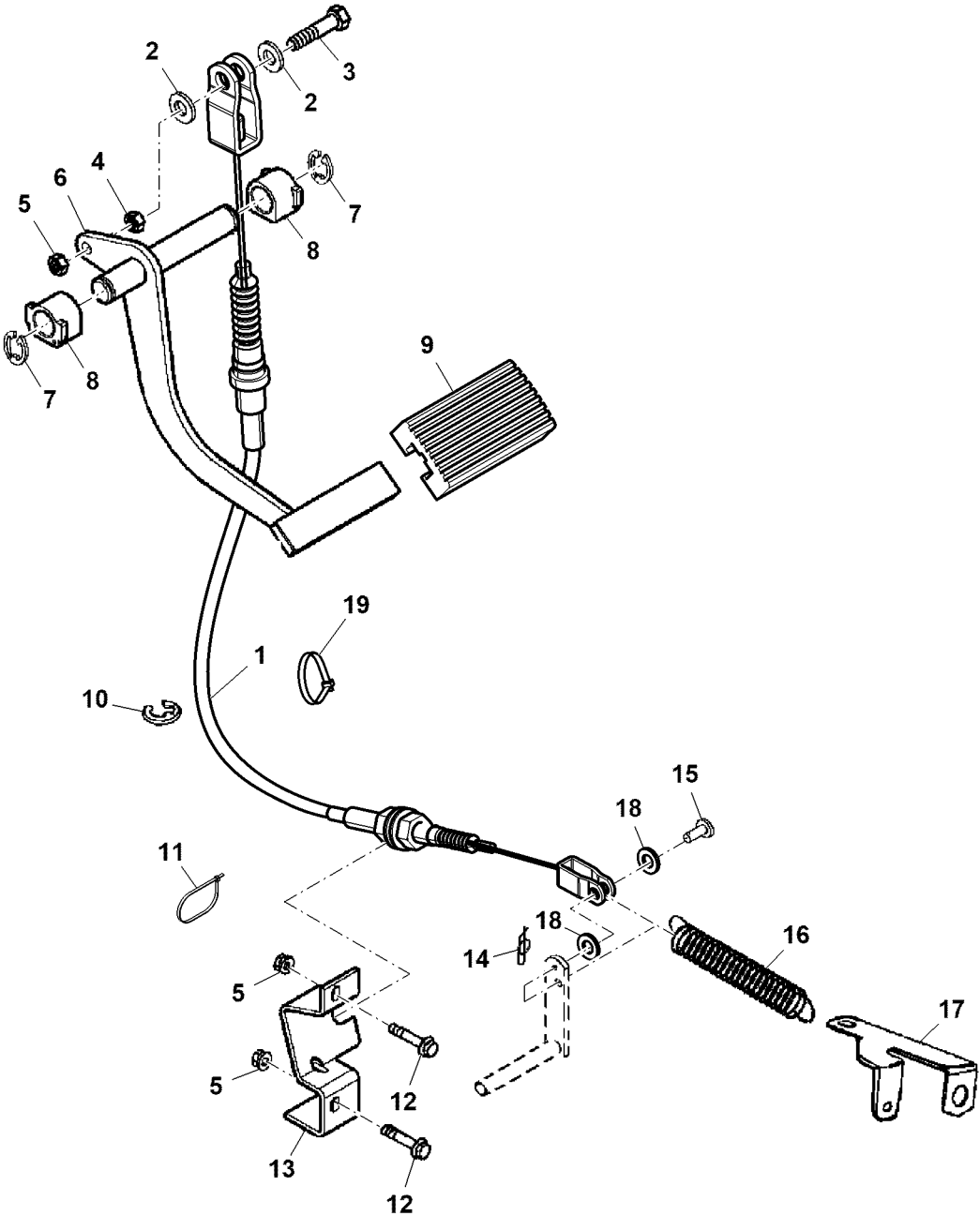
---

Key	Part No.	Part Name	Qty.	Serial No.	Remarks
1	MIA883461	Clutch Kit	1		
2	MIA881862	Clutch	1		
3	M809221	Clutch Disk	1		
4	M809222	Plate	1		Pressure
5	34M7160	Spring Pin	3		8 X 16 mm, SUB FOR T114104
6	19M7162	Cap Screw	6		M8 X 16, ALSO ORDER 12M7065
	12M7065	Lock Washer	6		8 mm
7	MIA883462	Sleeve Kit	1		
8	CH14769	Ball Bearing	1		

---

Clutch Control  
Clutch Control  
Clutch Control  
Clutch Control  
Clutch Control  
Clutch Control

PU39457 A.1

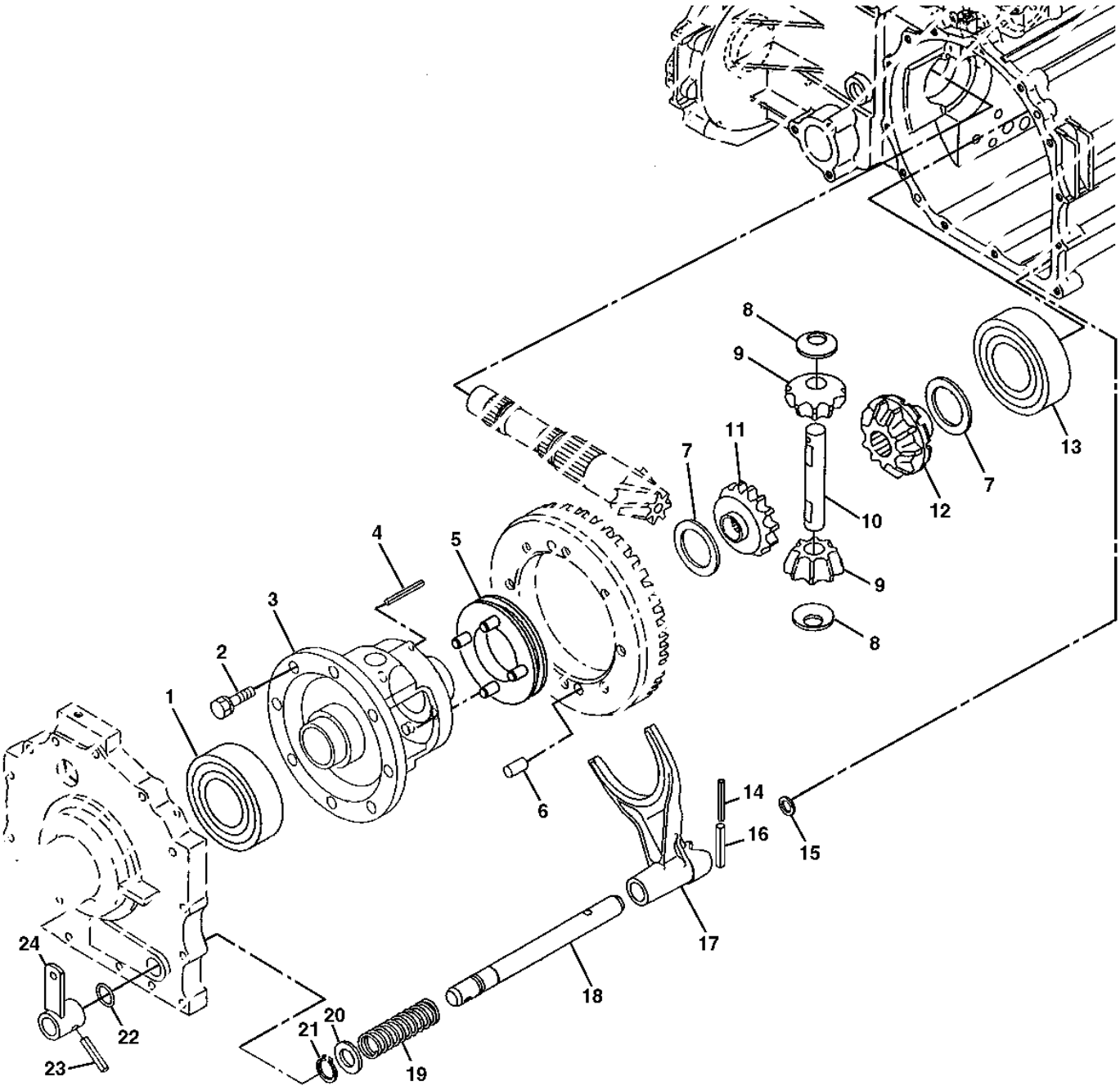


PU39457

Key	Part No.	Part Name	Qty.	Serial No.	Remarks
1	TCA16604	Push Pull Cable	1	-030171	ORDER TCA19738, 19M8318, (2) Z41659, 14M7396, P10456, R26871, 14M7151, (2) 24M7313 AND TCU18704, For 2WD
	TCA16604	Push Pull Cable	1	-030114	ORDER TCA19738, 19M8318, (2) Z41659, 14M7396, P10456, R26871, 14M7151, (2) 24M7313 AND TCU18704, For 4WD
	TCA19738	Push Pull Cable	1	030172-	ORDER TCA22398, For 2WD
	TCA19738	Push Pull Cable	1	030115-	ORDER TCA22398, For 4WD
	TCA22398	Push Pull Cable	1	060424-	For 2WD
	TCA22398	Push Pull Cable	1	060427-	For 4WD
2	Z41659	Washer	2		10 X 18 X 1 mm
3	19M8318	Screw	1		M8 X 45
4	14M7151	Nut	1		M8
5	14M7396	Lock Nut	3		M8
6	AUC12920	Pedal	1		SUB FOR AM124529
7	M40514	Snap Ring	2		
8	M81214	Bearing	2		
9	M129981	Pad	1		Inner Pedal
10	R26871	Snap Ring	1		
11	H77698	Tie Band	1		
12	19M7897	Screw	2		M8 X 35
13	M131478	Bracket	1		ORDER TCU29612, Cable
	TCU29612	Bracket	1		Cable
14	TCU33336	Cotter Pin	1		SUB FOR TCU18704 OR 11M7082
15	P10456	Pin Fastener	1		
16	M141025	Extension Spring	1		Accelerator
17	M148960	Bracket	1		Spring
18	24M7313	Washer	2		8.100 X 12 X 1.200 mm
19	R76477	Tie Band	1		

Transaxle, Differential  
Transaxle, Differential  
Transaxle, Differential  
Transaxle, Differential  
Transaxle, Differential

MP21349 A.1



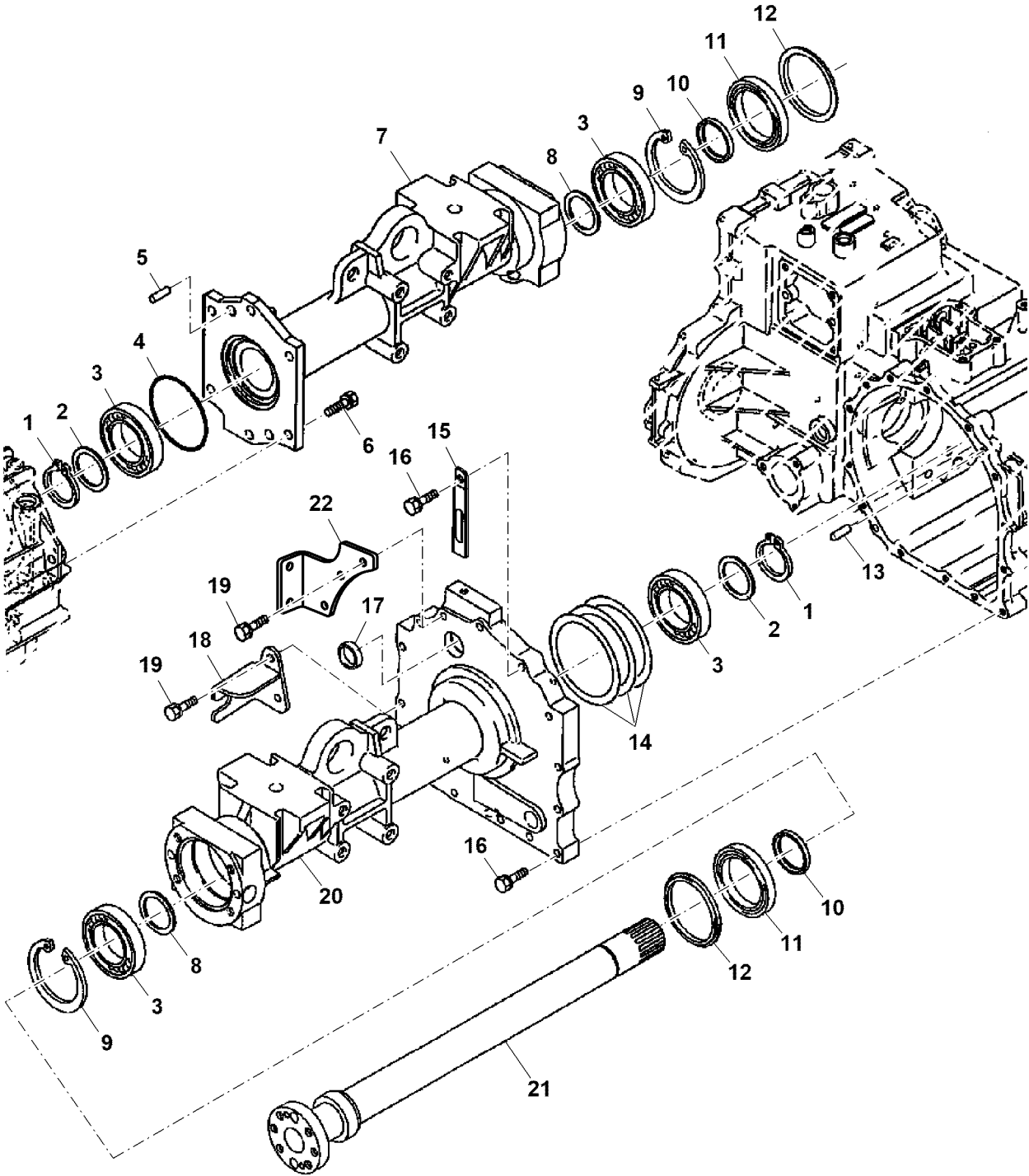
MP21349



Key	Part No.	Part Name	Qty.	Serial No.	Remarks
1	CH11553	Ball Bearing	1		
2	R114046	Bolt	8		
3	M809371	Case	1		
4	CH13484	Spring Pin	1		
5	M809385	Shifter	1		Lock
6	CH17102	Pin	2		
7	M809369	Washer	2		
8	R113901	Washer	2		
9	R113899	Gear	2		Z = 10, Pinion
10	M809370	Pinion Shaft	1		
11	R113897	Gear	1		Z = 16
12	M809368	Gear	1		Side Lock
13	CH11551	Bearing	1		
14	34M7035	Spring Pin	1		5 X 40 mm
15	R91155	Washer	1		
16	34M7047	Spring Pin	1		8 X 40 mm
17	M809379	Fork	1		Lock
18	M809380	Shaft	1		
19	M809381	Spring	1		
20	CH15024	Washer	1		
21	40M7080	Snap Ring	1		
22	MIU804787	O-Ring	1		SUB FOR CH10570
23	CH13851	Pin Fastener	1		
24	M809382	Arm	1		

Axle Housing  
Axle Housing  
Axle Housing  
Axle Housing  
Axle Housing  
Axle Housing

PU39133 A.1

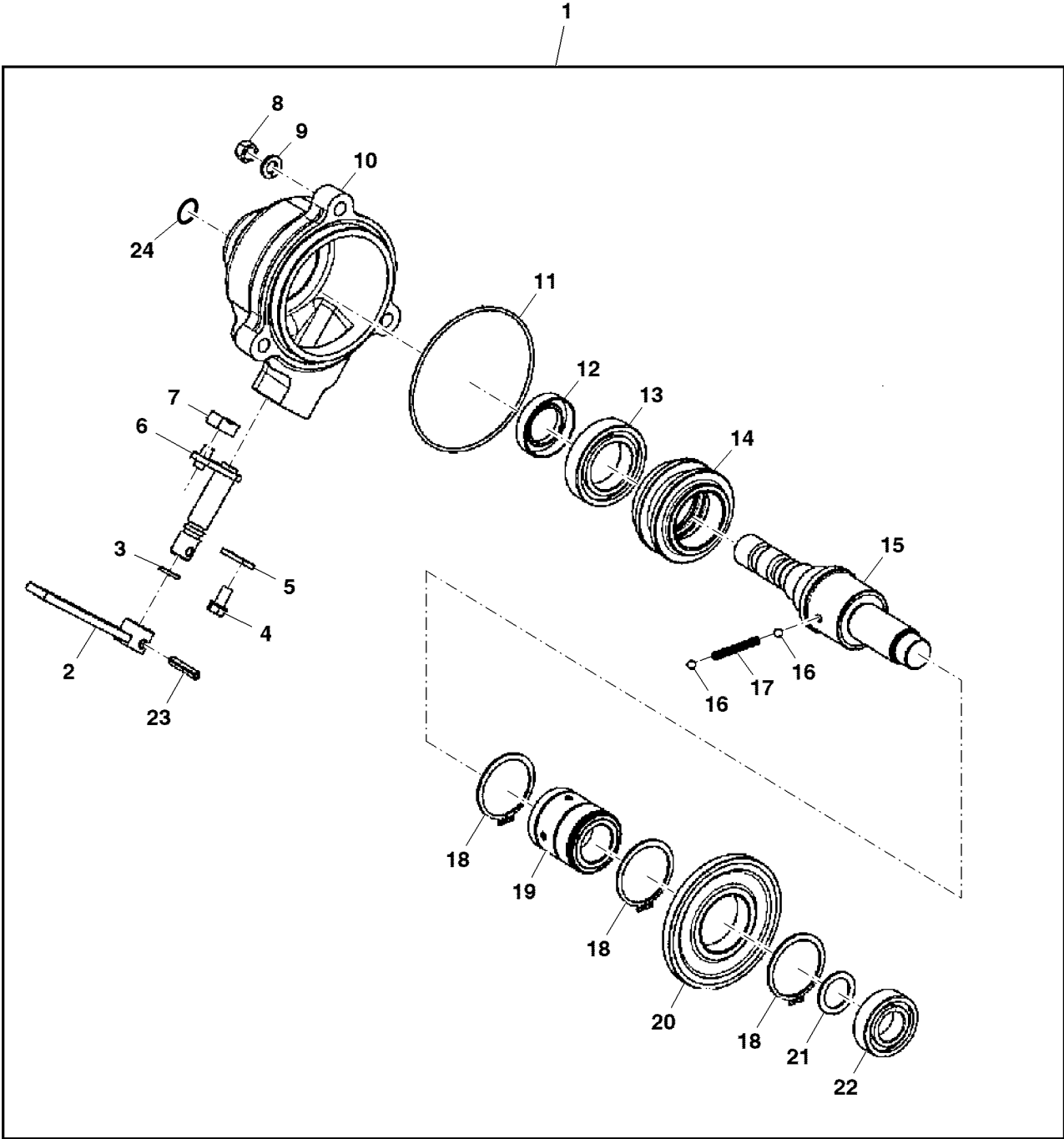


PU39133

Key	Part No.	Part Name	Qty.	Serial No.	Remarks
1	CH11484	Snap Ring	2		
2	M809391	Bushing	2		
3	CH15042	Bearing	4		
4	CH11573	O-Ring	1		
5	CH11493	Pin	2		
6	R114408	Bolt	6		
7	M810303	Housing	1		RH
8	MIU800654	Shift Collar	2		
9	40M7115	Snap Ring	2		
10	M809390	Bushing	2		
11	CH17419	Seal	2		
12	M809373	Bushing	2		
13	M802255	Pin	2		
14	AM880469	Shim Kit	1		
15	M809256	Clamp	1		
16	ET20005	Bolt	9		
17	M802037	Cap	1		
18	M809377	Bracket	1		Differential Lock
19	M800629	Bolt	5		
20	M810302	Housing	1		LH
21	M809135	Shaft	1		LH
	M809136	Shaft	1		RH
22	MIU801968	Bracket	1	060001-	Exhaust

PTO Clutch Kit, 4WD  
PTO Clutch Kit, 4WD  
PTO Clutch Kit, 4WD  
PTO Clutch Kit, 4WD  
PTO Clutch Kit, 4WD  
PTO Clutch Kit, 4WD

PU39134 A.1



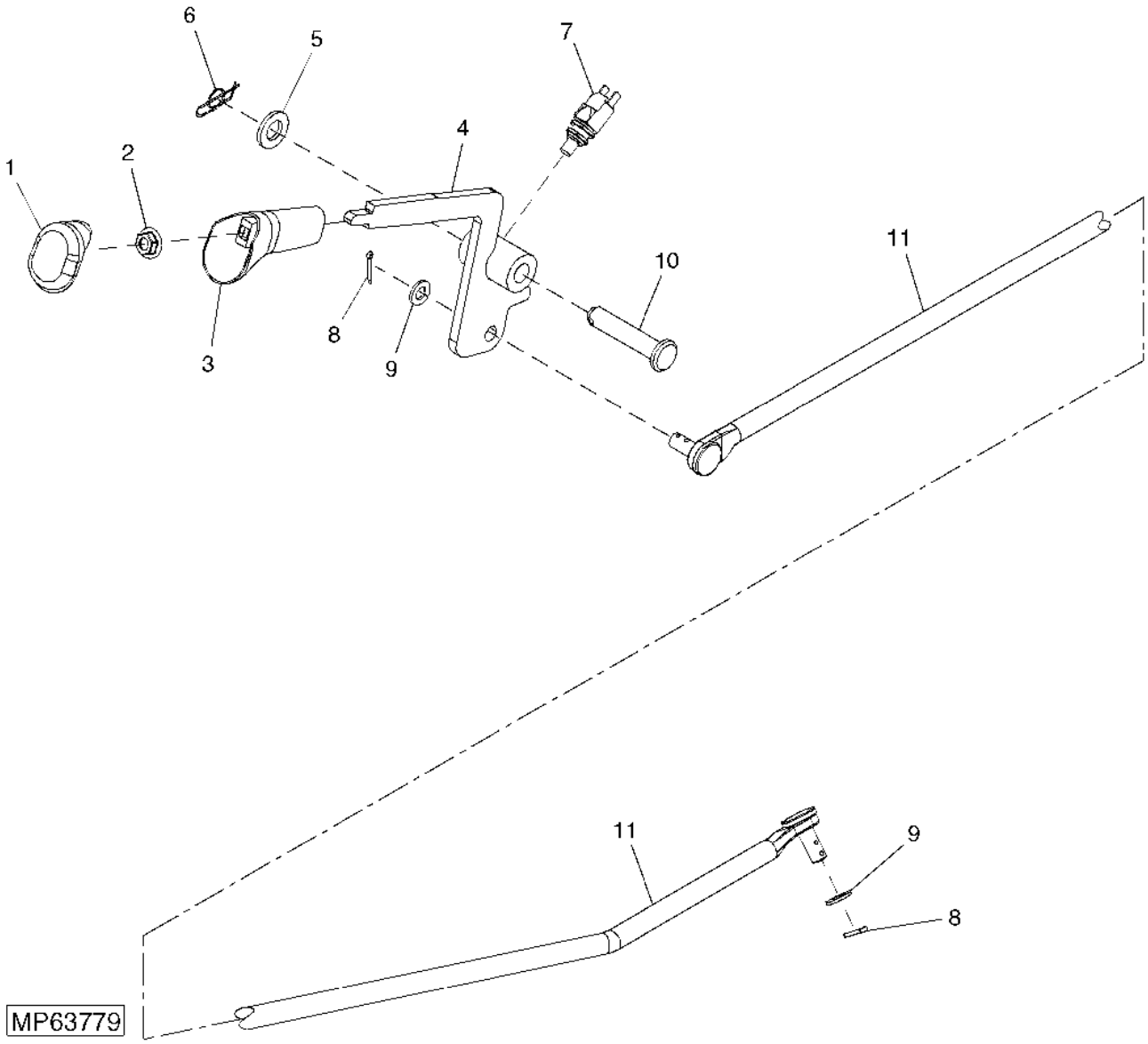
PU39134

Key	Part No.	Part Name	Qty.	Serial No.	Remarks
1	MIA10615	Clutch Kit	1		Manual Engage Spline
2	MIA880628	Lever	1		
3	CH14926	O-Ring	1		
4	R125433	Bolt	1		
5	CH15663	Plate	1		
6	MIA880627	Arm	1		
7	M800565	Shift Collar	1		Block M10 10 mm
8	14M7274	Nut	3		
9	12M7066	Lock Washer	3		
10	MIU800656	Housing	1		MFWD
11	CH13522	O-Ring	1		
12	MIU800666	Seal	1		
13	CH14592	Ball Bearing	1		
14	MIU800660	Shifter	1		Output
15	MIU800657	Shaft	1		
16	400R	Ball	2		
17	MIU800661	Spring	1		6.350 mm
18	40M7166	Snap Ring	3		
19	MIU800659	Bushing	1		
20	MIU800658	Gear	1		Z = 39
21	MIU800655	Washer	1		
22	CH11550	Ball Bearing	1		
23	CH12304	Pin	1		
24	CH11481	Ring	1		

Shift Lever Linkage, 4WD ( - 080000)  
Shift Lever Linkage, 4WD ( - 080000)  
Shift Lever Linkage, 4WD ( - 080000)  
Shift Lever Linkage, 4WD ( - 080000)  
Shift Lever Linkage, 4WD ( - 080000)  
Shift Lever Linkage, 4WD ( - 080000)



MP63779 A.1

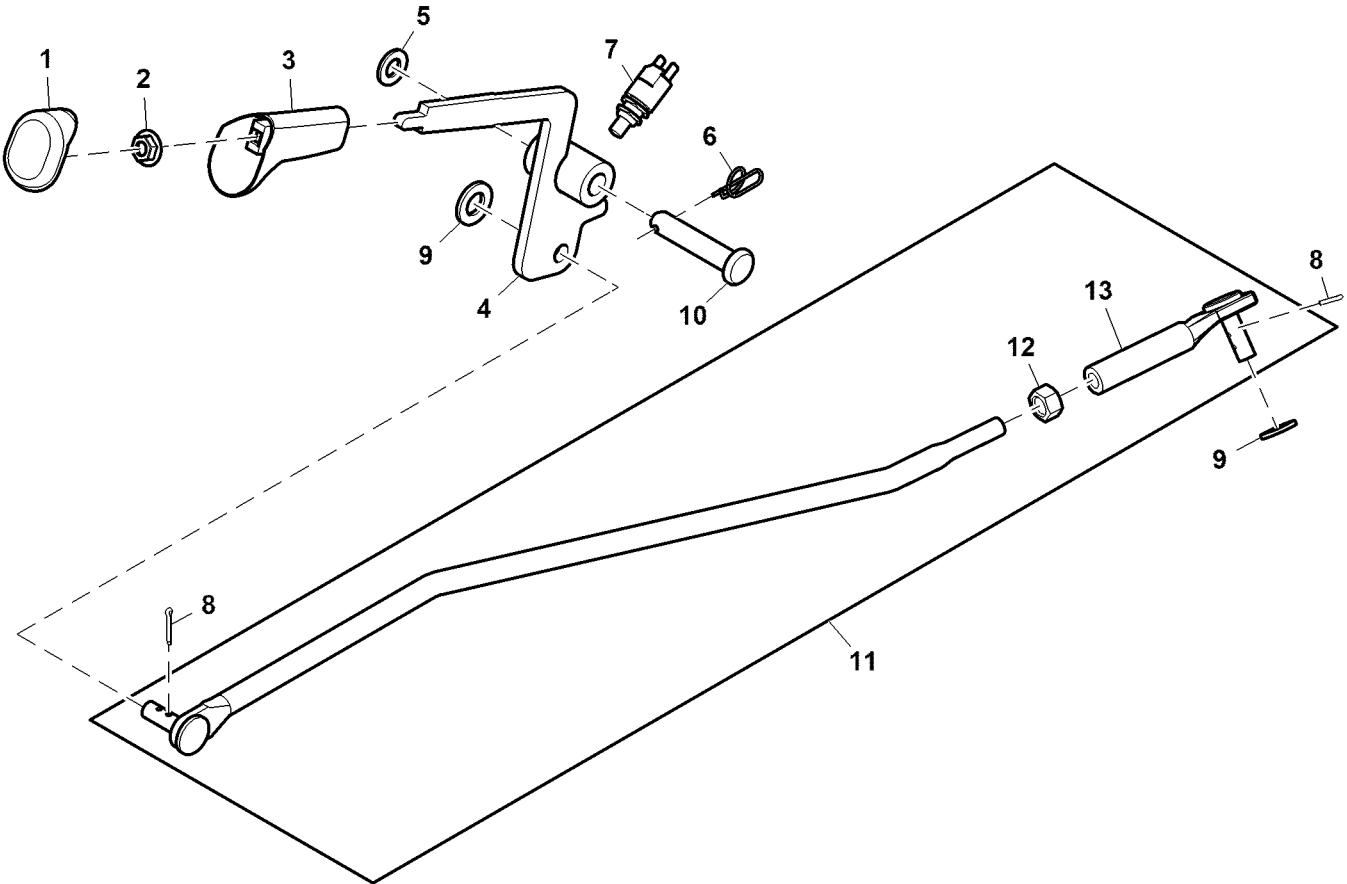


Key	Part No.	Part Name	Qty.	Serial No.	Remarks
1	L113019	Insert	1		
2	M111717	Nut	1		
3	L77747	Knob	1		
4	TCA16417	Shifter	1		
5	24M7047	Washer	1		13 X 24 X 2.500 mm
6	TCU17574	Spring Locking Pin	1		
7	TCA16597	Switch	1		Push Button
8	11M7080	Cotter Pin	2		2.500 X 16 mm
9	24M7055	Washer	2		8.400 X 16 X 1.600 mm
10	45M7043	Pin Fastener	1		12 X 60 mm
11	TCU21208	Shifter Rod	1	-060000	
	TCA21503	Shifter Rod	1	060001-	

Shift Lever Linkage, 4WD (080001 - )  
Shift Lever Linkage, 4WD (080001 - )  
Shift Lever Linkage, 4WD (080001 - )  
Shift Lever Linkage, 4WD (080001 - )  
Shift Lever Linkage, 4WD (080001 - )  
Shift Lever Linkage, 4WD (080001 - )



PU39275 A.1



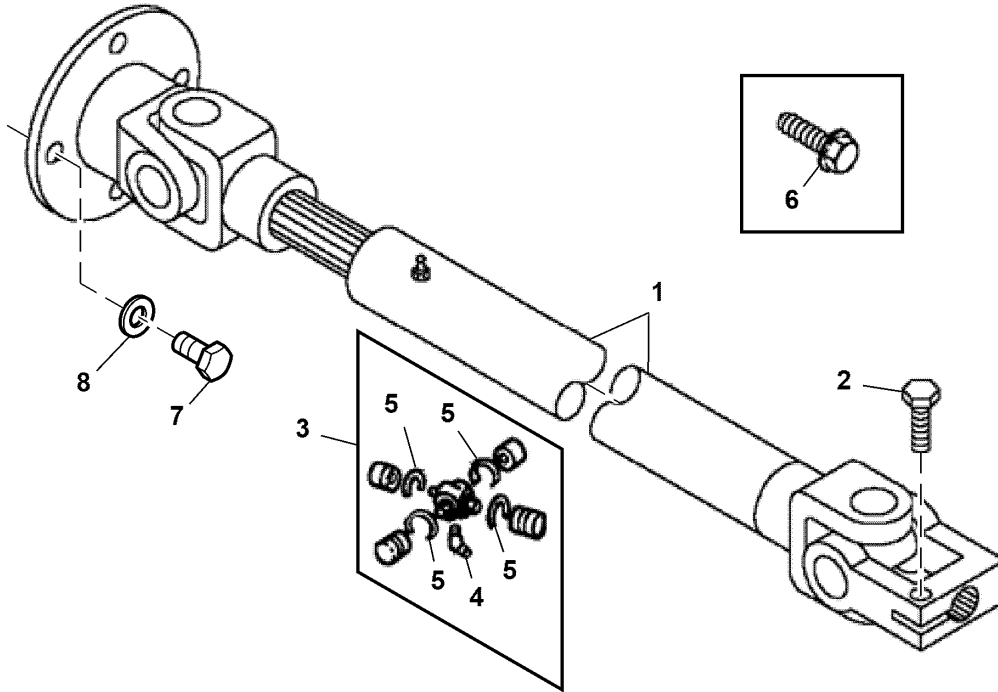
PU39275



Key	Part No.	Part Name	Qty.	Serial No.	Remarks
1	L113019	Insert	1		
2	M111717	Nut	1		
3	SU47687	Knob	1		SUB FOR L77747
4	TCA16417	Shifter	1		
5	24M7047	Washer	1		13 X 24 X 2.500 mm
6	TCU17574	Spring Locking Pin	1		
7	TCA16597	Switch	1		Push Button
8	11M7080	Cotter Pin	2		2.500 X 16 mm
9	24M7028	Washer	2		10.500 X 20 X 2 mm
10	45M7043	Pin Fastener	1		12 X 60 mm
11	AUC14375	Shifter Rod	1		SUB FOR TCA24055
12	14M7444	Nut	1		M10
13	AUC14376	Rod	1		

Driveshaft, 4WD  
 Driveshaft, 4WD  
 Driveshaft, 4WD  
 Driveshaft, 4WD  
 Driveshaft, 4WD  
 Driveshaft, 4WD

PU39146 A.1



**PU39146**

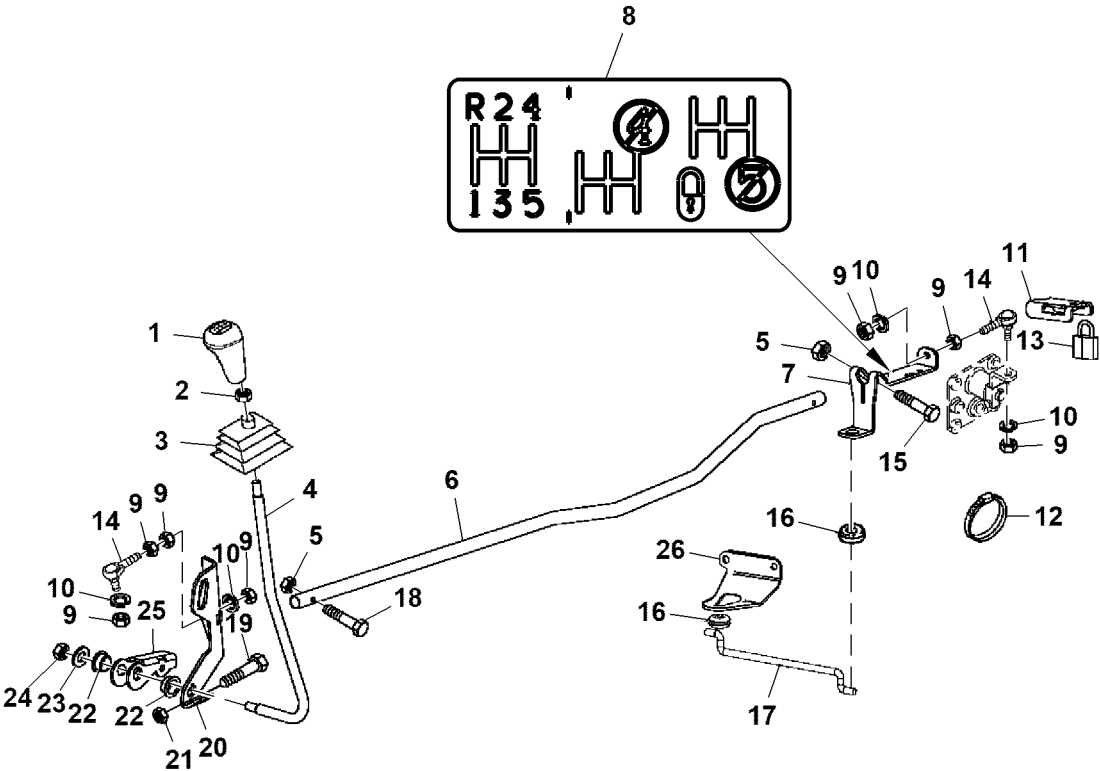
Key	Part No.	Part Name	Qty.	Serial No.	Remarks
1	AM125584	Universal Driveshaft	1		INCLUDES AE793E
2	19H2215	Cap Screw	1		3/8" X 1-1/8"
3	AE793E	Cross And Bearing Assembly	2		
4	JD7760	Lubrication Fitting	2		
5	E4298E	Snap Ring	8		
6	M140459	Screw	4		ORDER 19M8784 AND 24M7239
7	19M8784	Screw	4		M10 X 20
8	24M7239	Washer	4		10.700 X 21 X 2.500 mm



Gear Shift, Main (- 060000)  
Gear Shift, Main (- 060000)  
Gear Shift, Main (- 060000)  
Gear Shift, Main (- 060000)  
Gear Shift, Main (- 060000)  
Gear Shift, Main (- 060000)



PU39458 A.1



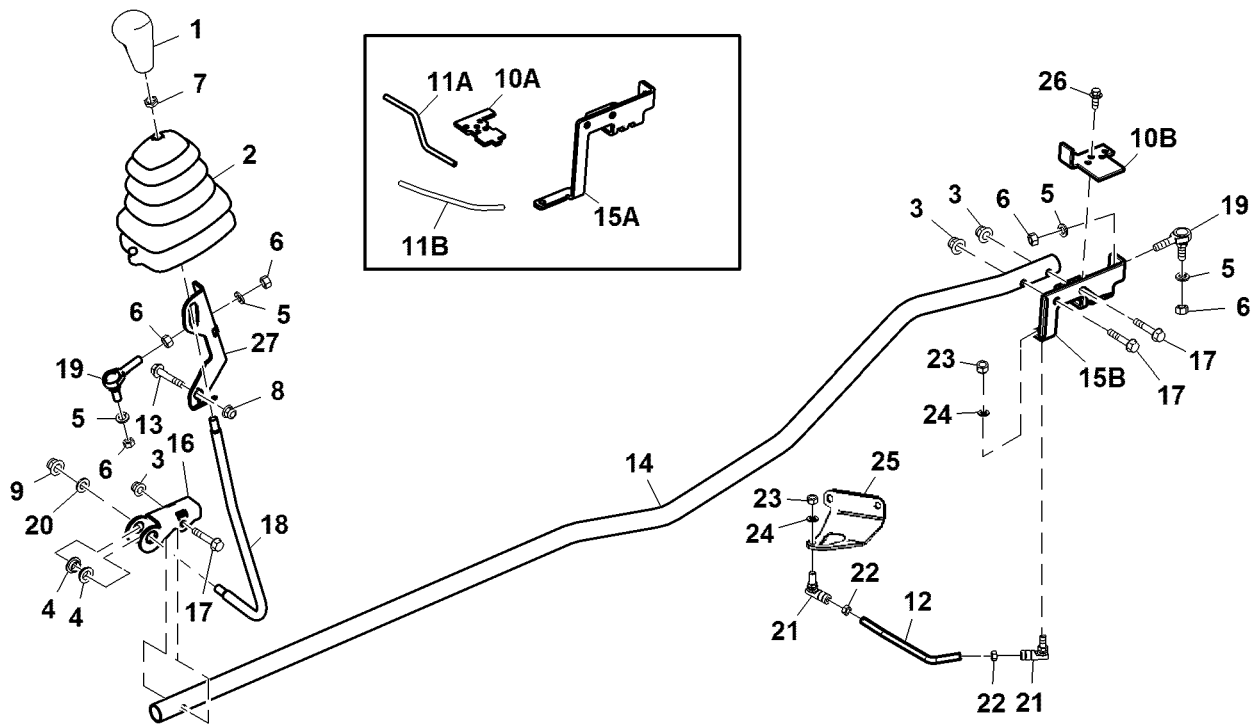
PU39458

Key	Part No.	Part Name	Qty.	Serial No.	Remarks
1	AM130021	Knob	1		Shift Lever
2	14M7152	Nut	1		M10
3	M141005	Boot	1		Shift Lever
4	VG11242	Shifter Rod	1		
5	14M7396	Lock Nut	2		M8
6	VG10851	Structural Tube	1		Shift Link
7	VGA10493	Latch	1		INCLUDES VG10911; Shift
8	VG10911	Label	1		Fifth Lockout
9	14H1080	Nut	7		3/8"
10	12H304	Lock Washer	4		3/8"
11	VG10854	Latch	1		Fifth Gear Lockout
12	R44302	Tie Band	3		
13	.....	Lock	1		4.8 mm, Shackle
14	AT56822	Ball Joint	2		
15	19M7802	Screw	1		M8 X 65
16	M141901	Grommet	2		
17	VG10849	Rod	1		
18	19M8318	Screw	1		M8 X 45
19	19M7797	Screw	1		M6 X 40
20	VG10850	Yoke	1		
21	14M7397	Lock Nut	1		M6
22	M129855	Washer	2		
23	24M7028	Washer	1		10.500 X 20 X 2 mm
24	14M7465	Lock Nut	1		M10
25	VG10853	Bracket	1		Front
26	MIU803779	Bracket	1		SUB FOR M810517; Shift Rod, Rear

Gear Shift, Main (060001 - )  
 Gear Shift, Main (060001 - )  
 Gear Shift, Main (060001 - )  
 Gear Shift, Main (060001 - )  
 Gear Shift, Main (060001 - )  
 Gear Shift, Main (060001 - )



PU39459 A.1

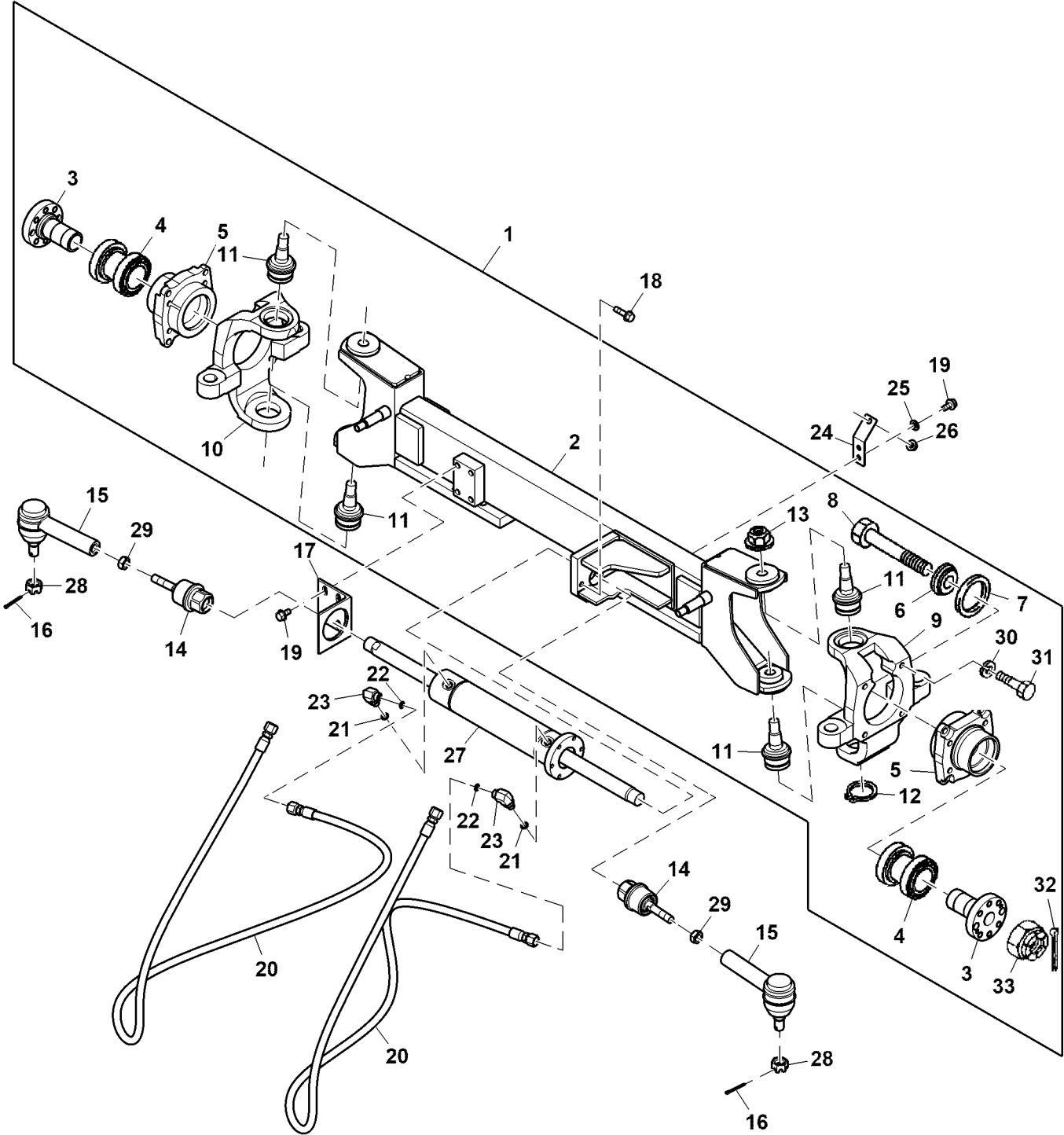


PU39459

Key	Part No.	Part Name	Qty.	Serial No.	Remarks
1	AM130021	Knob	1		Shift Lever
2	M141005	Boot	1		Shift Lever
3	14M7396	Lock Nut	3		M8
4	M129855	Washer	2		
5	12H304	Lock Washer	4		3/8"
6	14H846	Nut	5		3/8" SUB FOR 14H1080
7	14M7152	Nut	1		M10
8	14M7397	Lock Nut	1		M6
9	14M7465	Lock Nut	1		M10
10A	TCU29063	Latch	1		ORDER TCU38850, Lockout
10B	TCU38850	Latch	1		Lockout
11A	TCU29087	Rod	1		ORDER TCU37705, Shift Anchor Link
11B	TCU37705	Rod	1		ORDER TCU38482, (2) AM38782 AND (2) 14H882, Shift Anchor Link
12	TCU38482	Rod	1		
13	19M7797	Screw	1		M6 X 40
14	TCU29062	Structural Tube	1	-080000	Link
	UC22803	Structural Tube	1	080001-	SUB FOR TCU33388, Link
15A	TCU29061	Bracket	1		ORDER TCU37654; ALSO ORDER TCU38482, (2) AM38782 AND (2) 14H882, Rear
15B	TCU37654	Bracket	1		Rear
16	VG10853	Bracket	1		Front
17	19M8318	Screw	3		M8 X 45
18	VG11242	Shifter Rod	1		
19	AT56822	Ball Joint	2		
20	24M7028	Washer	1		10.500 X 20 X 2 mm
21	AM38782	Ball Joint	2		SUB FOR AM124517
22	14H882	Nut	2		5/16"
23	14H650	Nut	2		5/16"
24	12H303	Lock Washer	2		5/16"
25	MIU803779	Bracket	1		SUB FOR M810517, Shift Rod
26	37M7457	Screw	2		M6 X 16
27	VG10850	Yoke	1		Shifter

Front Axle, 2WD  
Front Axle, 2WD  
Front Axle, 2WD  
Front Axle, 2WD  
Front Axle, 2WD  
Front Axle, 2WD

PU39130 A.1



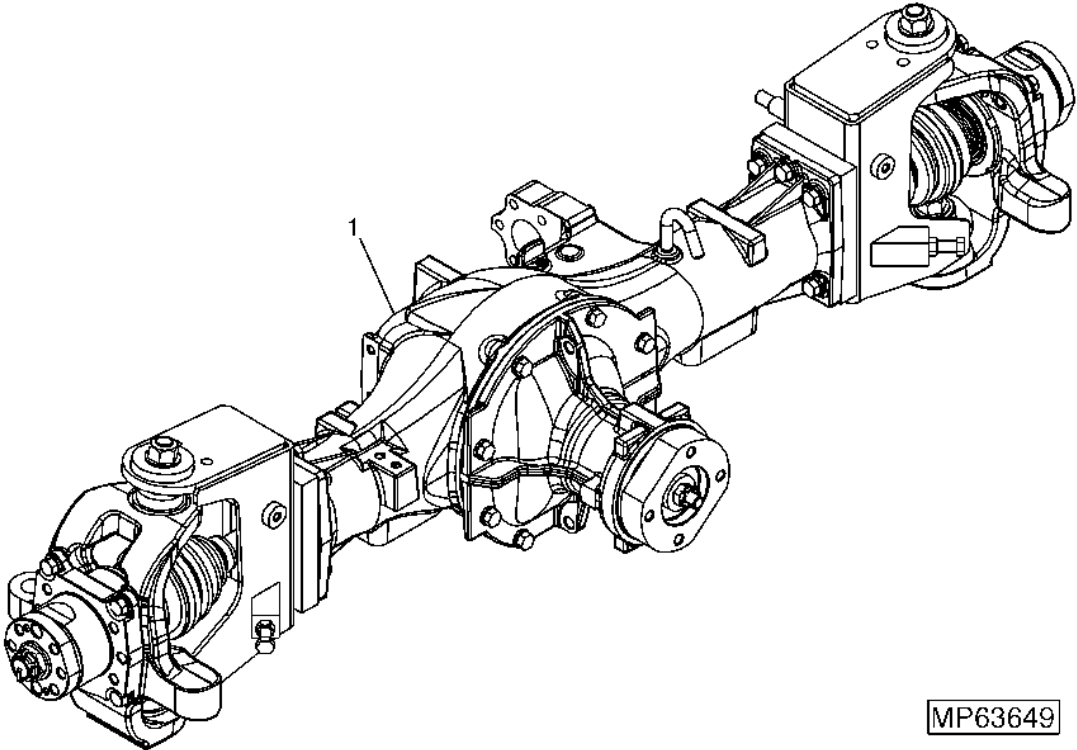
PU39130



Key	Part No.	Part Name	Qty.	Serial No.	Remarks
1	AM126004	Kit	1		MARKED 7N3590-11000
2	AM880461	Front Axle	1		
3	M809133	Hub	2		Wheel
4	M809219	Bearing	2		Hub
5	M809238	Bearing Housing W/O Bearing	2		
6	M809240	Bushing	2		
7	M809241	Seal	4		
8	M809242	Wheel Bolt	2		
9	M809243	Knuckle	1		Steering, LH
10	M809244	Knuckle	1		Steering, RH
11	MIU805594	Ball Joint	4		SUB FOR M809245 OR MIU800522
12	M809246	Snap Ring	2		
13	M809247	Lock Nut	4		
14	AM125589	Socket	2		Inline
15	AM127081	Tie Rod End	2		Outer
16	11M7017	Cotter Pin	2		3.200 X 32 mm
17	M135583	Support	1		Hydraulic Cylinder
18	19M7868	Screw	6		M8 X 30
19	19M7865	Screw	6	060001-	M8 X 16
20	AUC19014	Hydraulic Hose	2		SUB FOR APPL AM127380, Hydraulic Cylinder to Steering Valve
21	R28782	O-Ring	2		
22	T77814	O-Ring	2		
23	38H3003	Adapter Fitting	2		SUB FOR APPL 38H1003
24	M131017	Bracket	1	060001-	Brake
25	12H304	Lock Washer	2	060001-	3/8"
26	14M7298	Flange Nut	1		M8
27	TCA26134	Hydraulic Cylinder	1		
28	14H918	Nut	2		5/8"
29	14H856	Nut	2		1/2"
30	12M7066	Lock Washer	8		10 mm
31	M809251	Bolt	8		
32	11M7087	Cotter Pin	2		4 X 40 mm
33	CH14560	Nut	2		
34	MPTC10252	Front Axle	1		Not Illustrated, INCLUDES (2) M809247, M809243, M809246 AND (2) MIU800522
35	MPTC10253	Front Axle	1		Not Illustrated, INCLUDES (2) M809247, M809244, M809246 AND (2) MIU800522

Front Axle, 4WD  
Front Axle, 4WD  
Front Axle, 4WD  
Front Axle, 4WD  
Front Axle, 4WD  
Front Axle, 4WD

MP63649 A.1



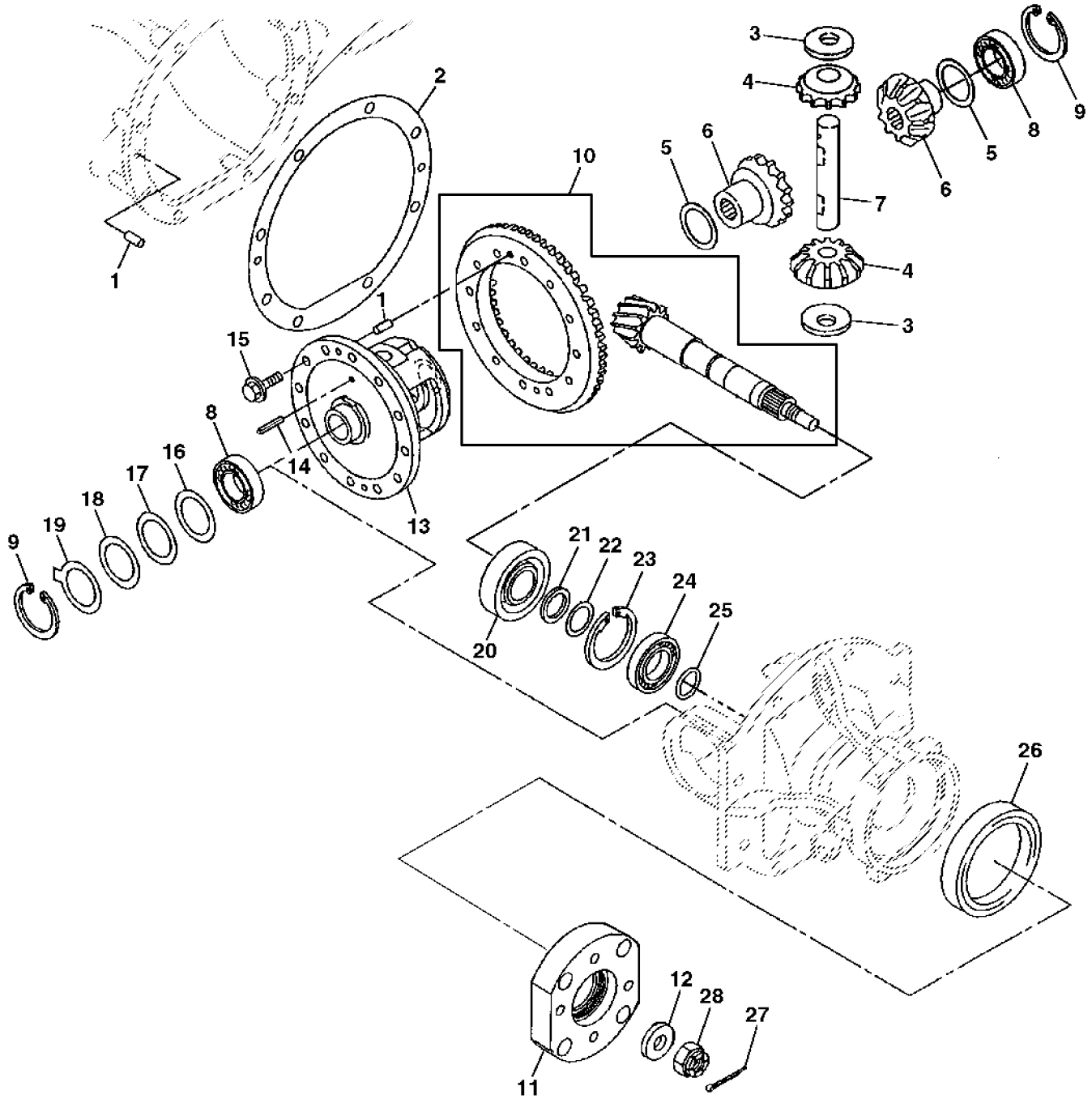
---

<i>Key</i>	<i>Part No.</i>	<i>Part Name</i>	<i>Qty.</i>	<i>Serial No.</i>	<i>Remarks</i>
1	MIA10614	Front Axle	1		MARKED 7N3590-11060

---

Differential, Front Axle, 4WD  
Differential, Front Axle, 4WD  
Differential, Front Axle, 4WD  
Differential, Front Axle, 4WD  
Differential, Front Axle, 4WD  
Differential, Front Axle, 4WD

PU29088 A.1

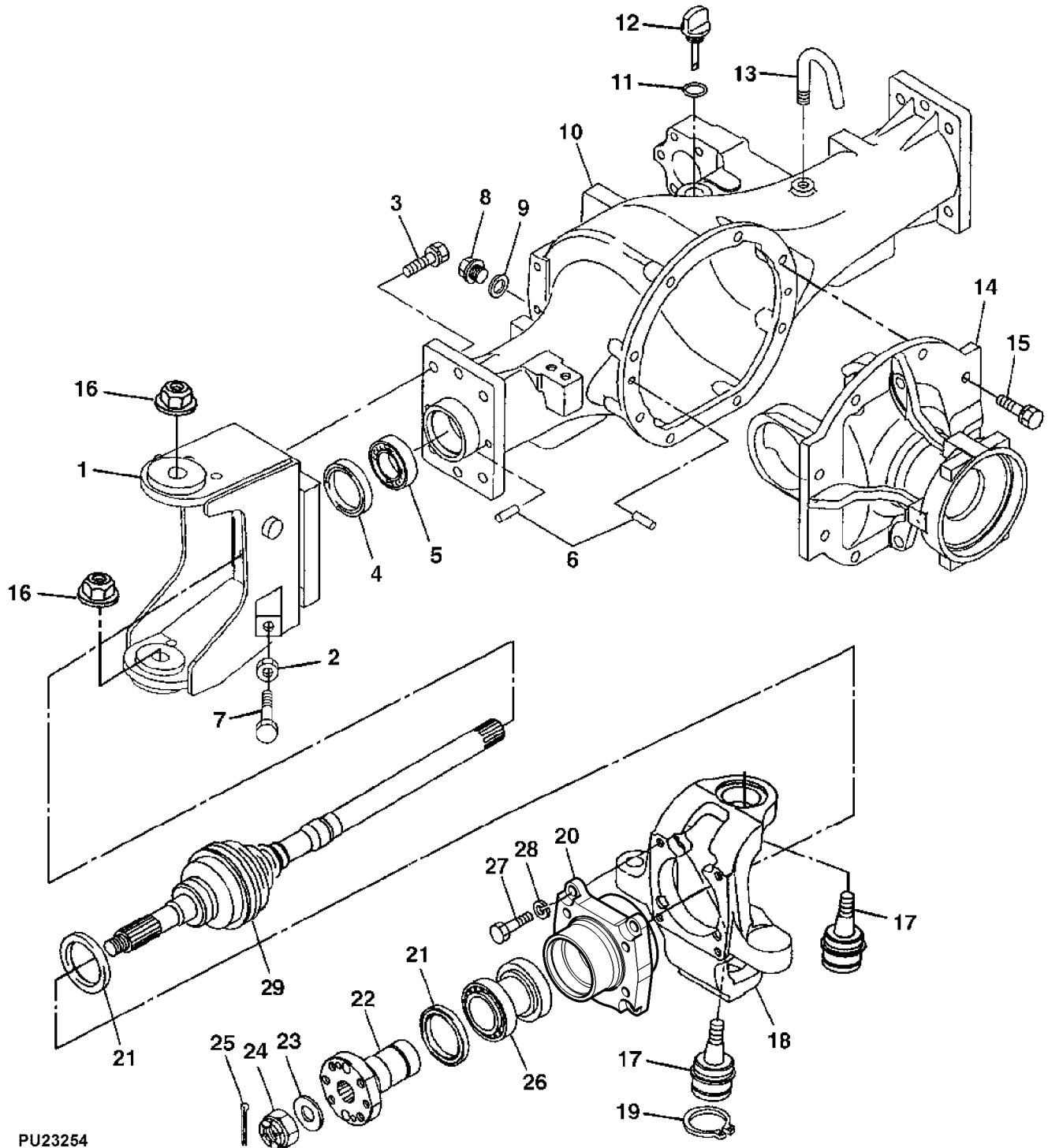


PU29088

Key	Part No.	Part Name	Qty.	Axle Serial No.	Remarks
1	M802255	Pin	2		
2	M809285	Gasket	1		
3	M800576	Washer	2		
4	M800574	Gear	2		Z = 10
5	M800573	Washer	2		
6	M800572	Gear	2		Z = 16
7	M810331	Shaft	1		
8	CH14581	Ball Bearing	2		
9	40M5099	Snap Ring	2		
10	MIA880631	Ring Gear	1		
11	MIU800669	Coupling	1		
12	M809272	Washer	1		
13	MIU800005	Case	1		
14	CH12300	Pin	1		
15	19M7866	Screw	12		M8 X 20
16	MIU800007	Shim	2		TK = 0.3 mm
17	MIU800008	Shim	2		TK = 0.4 mm
18	MIU800009	Shim	2		TK = 0.5 mm
19	MIU800006	Shift Collar	1		
20	M809276	Bearing	1		
21	M809440	Bushing	1		
22	AM880463	Shim Kit	1		
	M809279	Shim	2		TK = 0.3 mm
	M809280	Shim	1		TK = 0.4 mm
	M809281	Shim	1		TK = 0.5 mm
23	40M7043	Snap Ring	1		
24	M800590	Ball Bearing	1		
25	M800486	O-Ring	1		
26	M809253	Seal	1		
27	CH18784	Cotter Pin	1		
28	CH18783	Nut	1		

Front Gear Case, 4WD  
 Front Gear Case, 4WD  
 Front Gear Case, 4WD  
 Front Gear Case, 4WD  
 Front Gear Case, 4WD  
 Front Gear Case, 4WD

PU23254 A.2

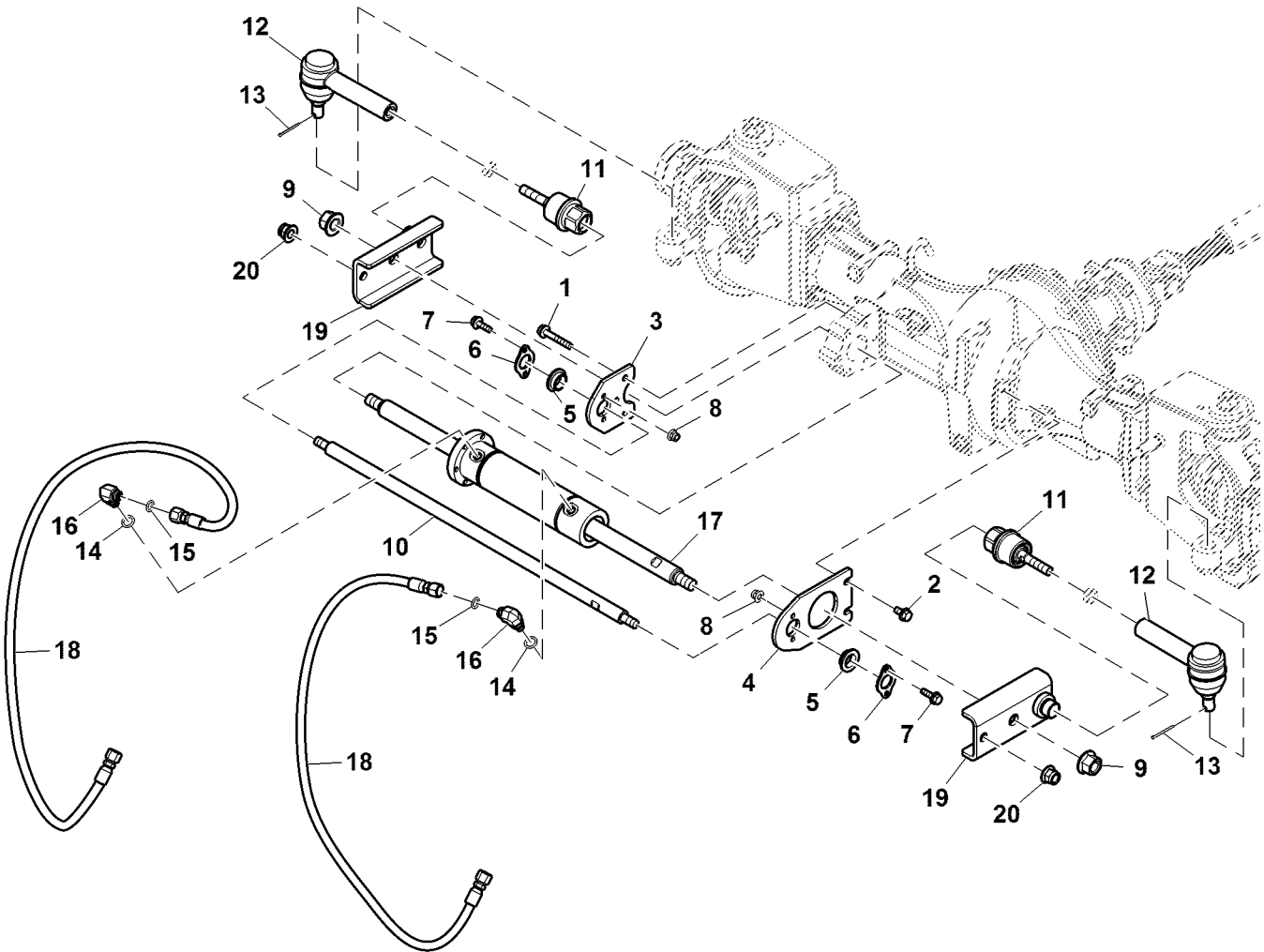


PU23254

Key	Part No.	Part Name	Qty.	Axle Serial No.	Remarks
1	AM880464	Bracket	1		LH
	AM880465	Bracket	1		RH
2	14M7274	Nut	2		M10
3	M809864	Bolt	12		
4	M809403	Seal	2		
5	CH14828	Ball Bearing	2		
6	M802255	Pin	6		
7	19M7550	Cap Screw	2		M10 X 35
8	M809254	Bolt	1		
9	M809255	Washer	1		
10	M809287	Case	1		
11	MIU804786	O-Ring	1		SUB FOR CH14634
12	M809295	Dipstick	1		Oil Cap
13	M809294	Breather	1		
14	MIU800004	Housing	1		Carrier
15	R114408	Bolt	8		
16	M809247	Lock Nut	4		
17	MIU805594	Ball Joint	4		SUB FOR MIU800522
18	M809243	Knuckle	1		LH, Steering
	M809244	Knuckle	1		RH, Steering
19	M809246	Snap Ring	2		
20	M809238	Bearing Housing W/O Bearing	2		
21	M809241	Seal	4		
22	M809134	Hub	2		
23	24M7051	Washer	2		21 X 37 X 3 mm
24	CH14560	Nut	2		
25	11M7087	Cotter Pin	2		4 X 40 mm
26	M809219	Bearing	2		
27	M809251	Bolt	8		
28	12M7066	Lock Washer	8		10 mm
29	M809248	Universal Joint	1		Constant Velocity, LH
	M809249	Universal Joint	1		Constant Velocity, RH
30	AM881471	Boot Kit	1		Not Illustrated, CV Boot
31	MPTC10252	Kit	1		INCLUDES M809243, M809246, (2) M809247 AND (2) MIU800522, Steering Knuckle, LH, Not Illustrated
32	MPTC10253	Kit	1		INCLUDES M809244, M809246, (2) M809247 AND (2) MIU800522, Steering Knuckle, RH, Not Illustrated

Hydraulic Cylinder, 4WD  
Hydraulic Cylinder, 4WD  
Hydraulic Cylinder, 4WD  
Hydraulic Cylinder, 4WD  
Hydraulic Cylinder, 4WD  
Hydraulic Cylinder, 4WD

PU29087 A.1



PU29087

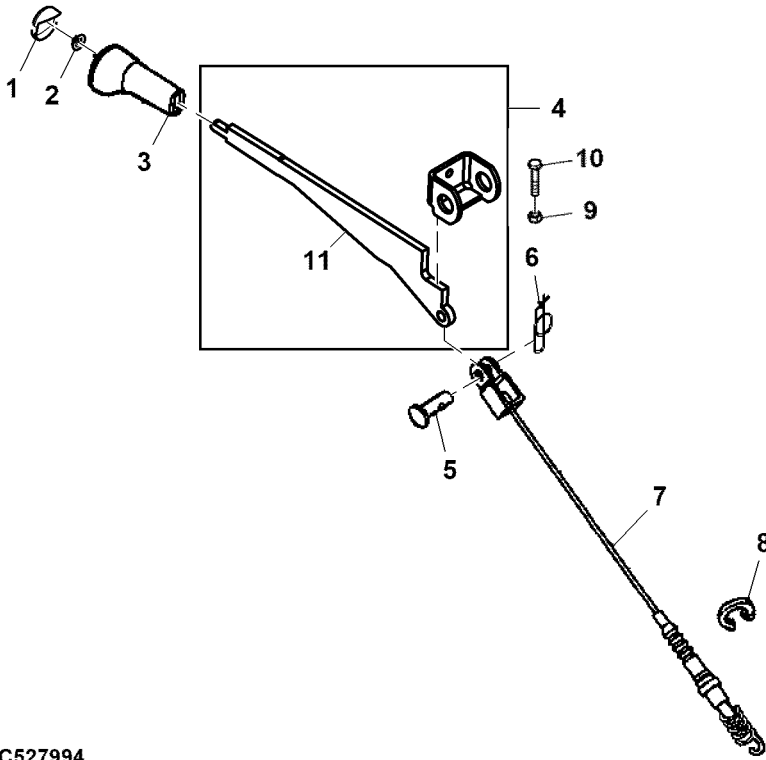


Key	Part No.	Part Name	Qty.	Serial No.	Remarks
1	19M7800	Screw	6		M8 X 50
2	19M7865	Screw	2		M8 X 16
3	M135249	Bracket	1		Bridge to Axle, RH
4	M135250	Bracket	1		Cylinder to Bridge, LH
5	M141976	Washer	2		
6	M136017	Retainer	2		Bushing 4wd Bridge
7	19M7863	Screw	4		M6 X 25
8	14M7397	Lock Nut	4		M6
9	14M7589	Lock Nut	2		M16
10	M135252	Rod	1		Front Axle Bridge Support
11	AM125589	Socket	2		Inline
12	AM127081	Tie Rod End	2		Outer
13	11M7017	Cotter Pin	2		3.200 X 32 mm
14	R28782	O-Ring	2		
15	T77814	O-Ring	2		
16	38H3003	Adapter Fitting	2		SUB FOR APPL 38H1003
17	TCA26135	Hydraulic Cylinder	1		Steering
18	AUC19014	Hydraulic Hose	2		SUB FOR APPL AM127380, Hydraulic Cylinder to Steering Valve
19	AUC12925	Brace	2		Socket
20	14M7401	Lock Nut	2		M12

Differential Lock Linkage  
 Differential Lock Linkage  
 Differential Lock Linkage  
 Differential Lock Linkage  
 Differential Lock Linkage



TC527994 A.1



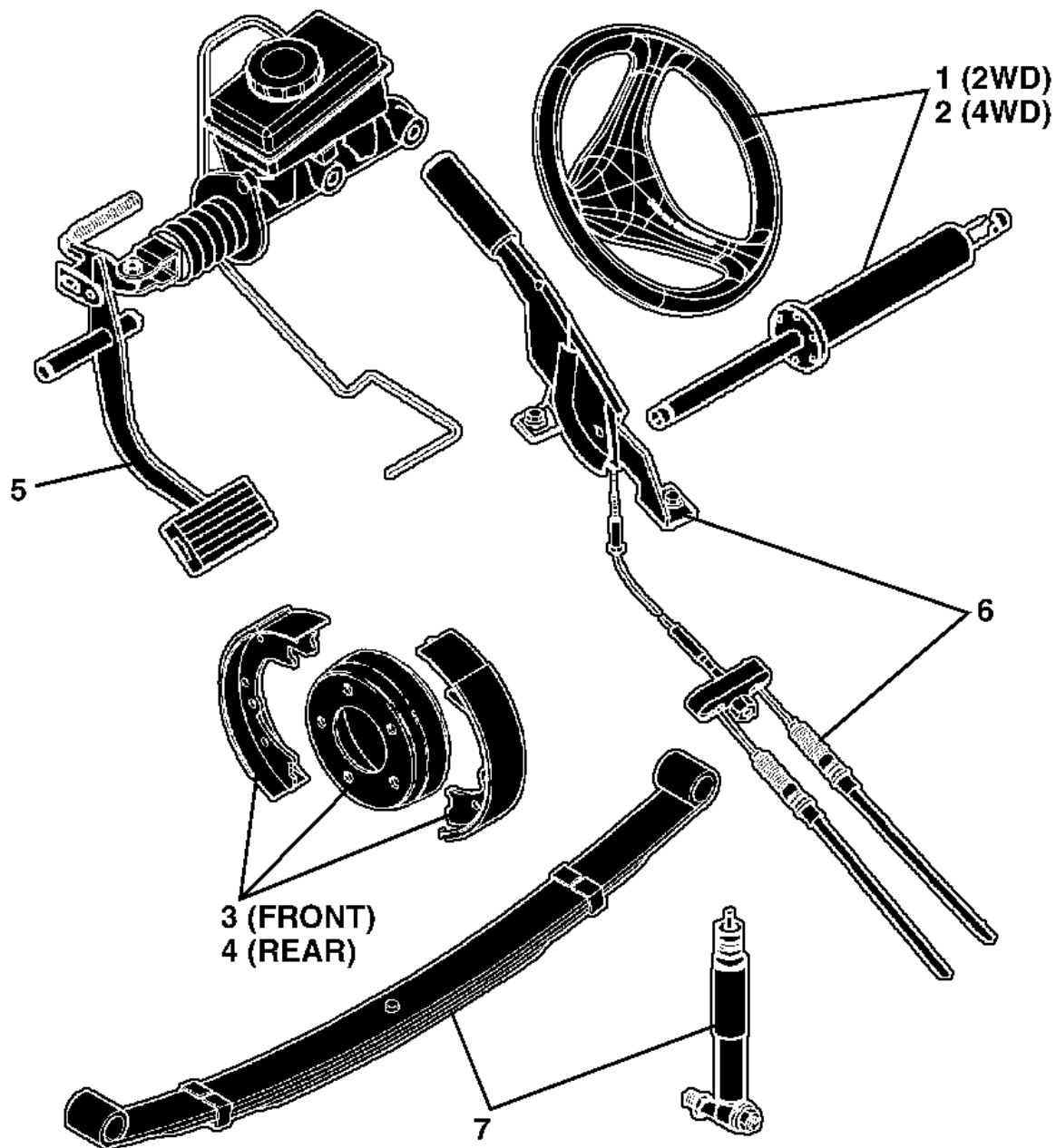
TC527994

Key	Part No.	Part Name	Qty.	Serial No.	Remarks
1	L113019	Insert	1		Knob
2	M111717	Nut	1		
3	SU47687	Knob	1		SUB FOR L77747
4	AUC12923	Lever	1		SUB FOR AM124554
5	P10456	Pin Fastener	1		Clutch Throwout
6	TCU33336	Cotter Pin	1		SUB FOR TCU18704 OR 11M7082
7	M131520	Push Pull Cable	1		Control
8	R26871	Snap Ring	1		
9	14M7273	Nut	1		M8
10	19M7922	Cap Screw	1		M8 X 40
11	M131009	Lever	1		

Sectional Pictorial Index  
 Index d'illustrations par sections.  
 Gruppenbildindex  
 Indice illustrato delle sezioni  
 Índice de ilustraciones por secciones  
 Avsnittsbildregister

MP63922 A.1

1-	208
2-	210
3-	214
4-	218
5-	222
6-	226
7-	230



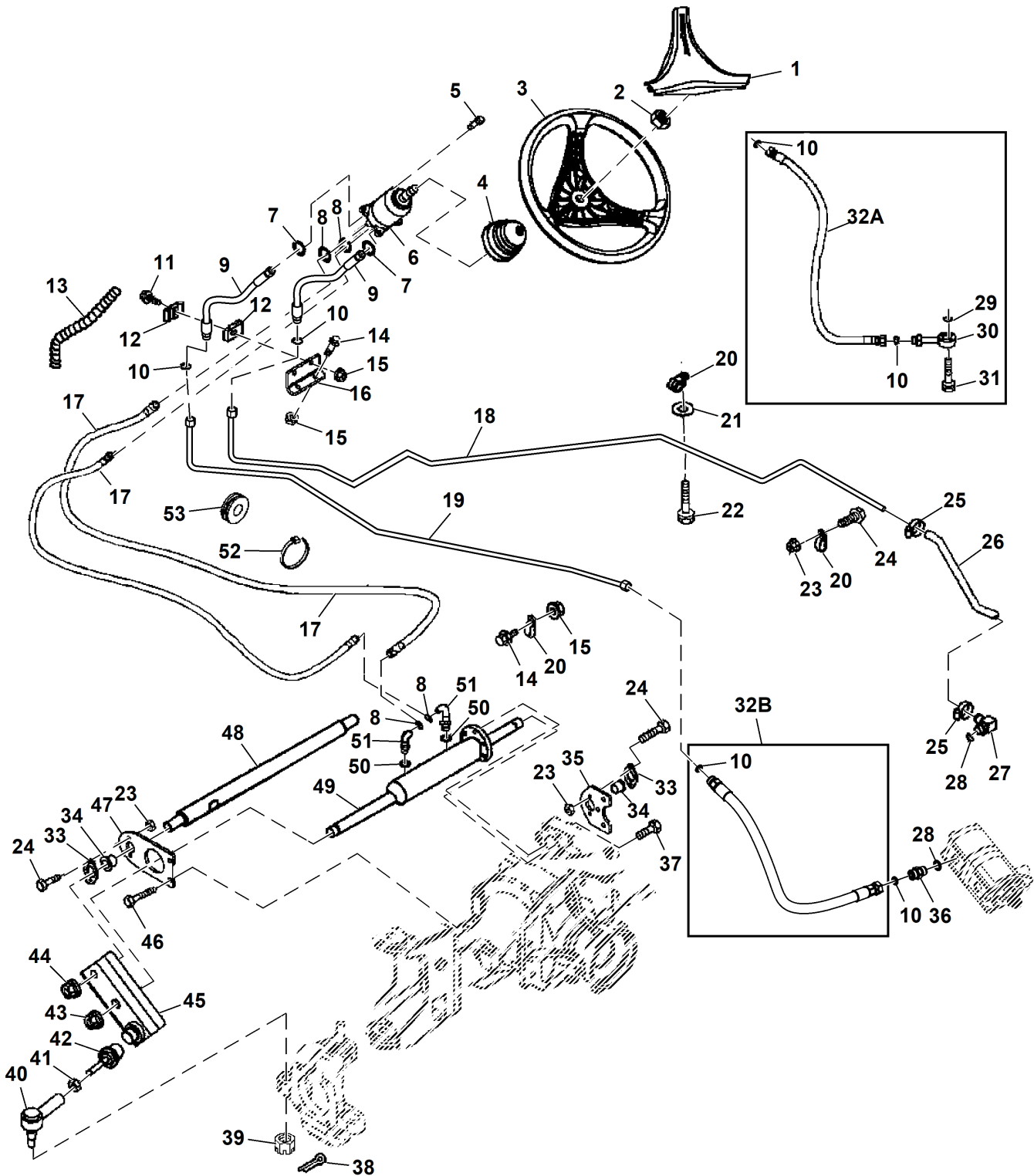
MP63922



Key	Part No.	Part Name	Qty.	Serial No.	Remarks
1	M142219	Cover	1		Steerig Wheel
2	14H866	Nut	1		5/8"
3	M142218	Steering Wheel	1		
4	M140455	Boot	1		
5	19M7897	Screw	4		M8 X 35
6	AMT1356	Steering Control Unit	1		ORDER AUC19118; INCLUDES 14H866
	AUC19118	Steering Control Unit	1		INCLUDES 14H866
7	T77613	O-Ring	2		
8	T77814	O-Ring	4		
9	AUC19015	Hydraulic Hose	2		SUB FOR AM129660, Hydraulic Pressure / Return
10	19M8317	Screw	3		M8 X 40
11	H135156	Clamp	4		
12	T77857	O-Ring	4		
13	M141636	Tube	2		
14	AM127380	Hydraulic Hose	2		ORDER AUC19014, Hydraulic Steering Cylinder, Left / Right
	AUC19014	Hydraulic Hose	2		
15	19M7866	Screw	3		M8 X 20
16	14M7396	Lock Nut	6		M8
17	M141809	Angle	1	-045000	
18	AUC19016	Oil Line	1		SUB FOR AM130481, Hydraulic Pressure / Return
19	AUC19051	Oil Line	1		SUB FOR AM130482, Hydraulic Steering Supply
20	AH79175	Clip	3		
21	24M7139	Washer	2		6.400 X 18 X 1.600 mm
22	37M7457	Screw	1		M6 X 16
23	R62356	Grommet	1		
24	TY22466	Clamp	2		
25	M143509	Hydraulic Hose	1		Hydraulic Steering Return
26	UC32739	Elbow Fitting	1		SUB FOR APPL AT124317
27	R26375	O-Ring	2		
28	19M7796	Screw	4	-060000	M6 X 30
29	TCA17288	Fitting	1	-060000	
30	M45387	O-Ring	1	-060000	
31A	TCA17292	Hose	1	-060000	Hydraulic Pressure, Steering Control Unit
	TCA21082	Hose	1	060001-075000	Hydraulic Pressure, Steering Control Unit
31B	TCA24020	Hose Kit	1	075001-	ORDER AUC19026, Hydraulic Pressure, Steering Control Unit
	AUC19026	Hydraulic Hose	1		
32	AM127081	Tie Rod End	2		
33	14H856	Nut	2		1/2"
34	AM125589	Socket	2		
35	19M7865	Screw	4		M8 X 16
36	M135583	Support	1		
37	R28782	O-Ring	2		
38	38H1003	Elbow Fitting	2		
39	TCA26134	Hydraulic Cylinder	1		SUB FOR AM130966
40	19M7868	Screw	6		M8 X 30
41	11M7017	Cotter Pin	2		3.200 X 32 mm
42	14H918	Nut	2		5/8"
43	H77698	Tie Band	1		
44	19M7862	Screw	1		M6 X 20
45	38H1161	Adapter Fitting	1	060001-	

Steering Wheel, Valve and Cylinder, 4WD  
 Steering Wheel, Valve and Cylinder, 4WD  
 Steering Wheel, Valve and Cylinder, 4WD  
 Steering Wheel, Valve and Cylinder, 4WD  
 Steering Wheel, Valve and Cylinder, 4WD  
 Steering Wheel, Valve and Cylinder, 4WD

PU51117 A.1

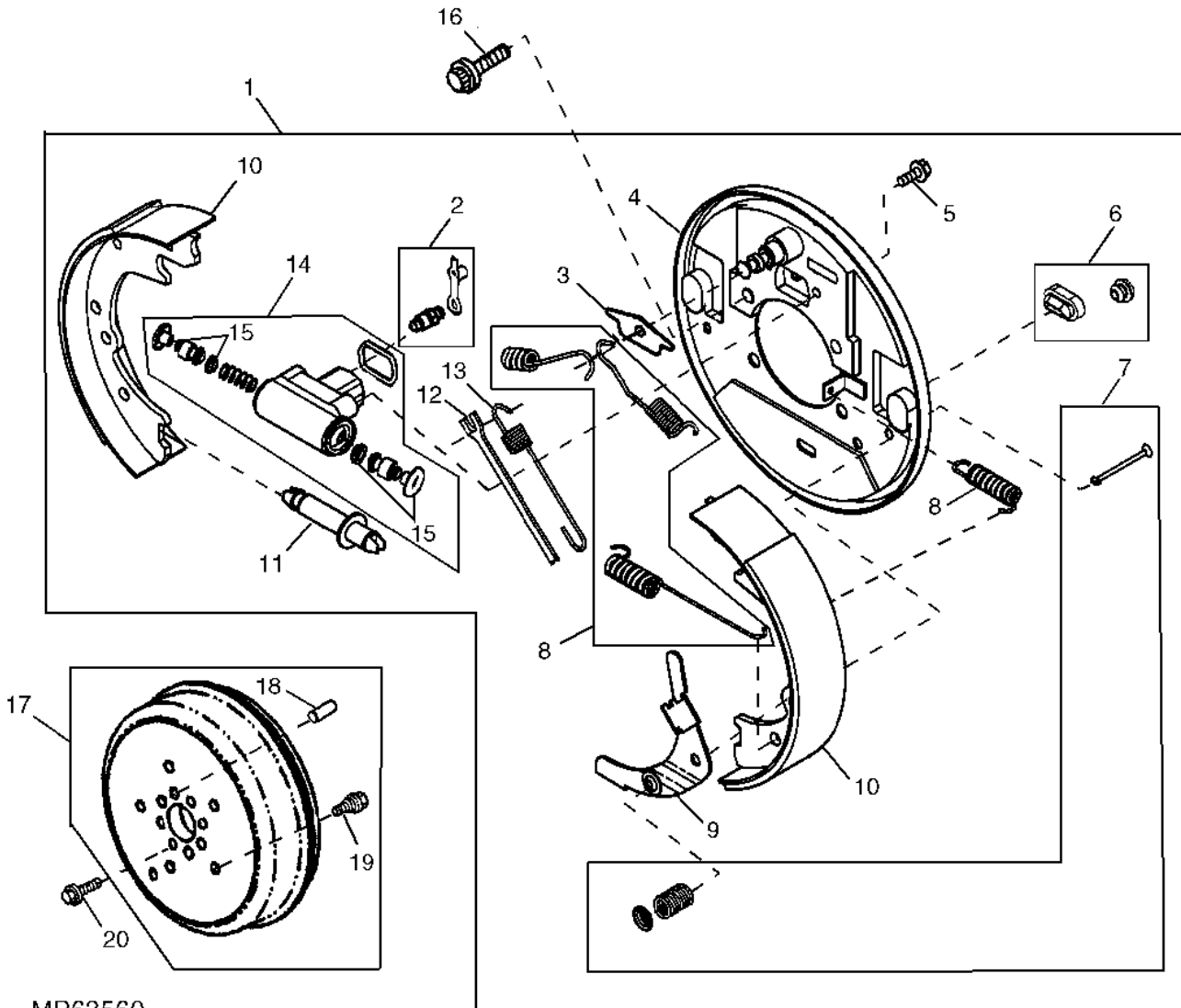


PU51117

Key	Part No.	Part Name	Qty.	Serial No.	Remarks
1	M142219	Cover	1		Steerig Wheel
2	14H866	Nut	1		5/8"
3	M142218	Steering Wheel	1		
4	M140455	Boot	1		
5	19M7897	Screw	4		M8 X 35
6	AMT1356	Steering Control Unit	1		ORDER AUC19118; INCLUDES 14H866
7	AUC19118	Steering Control Unit	1		INCLUDES 14H866
8	T77613	O-Ring	2		
8	T77814	O-Ring	4		
9	AUC19015	Hydraulic Hose	2		SUB FOR AM129660, Hydraulic Pressure / Return
10	T77857	O-Ring	4		
11	19M8317	Screw	2		M8 X 40
12	H135156	Clamp	4		
13	M141636	Tube	2		
14	19M7866	Screw	3		M8 X 20
15	14M7396	Lock Nut	6		M8
16	M141809	Angle	1	-045000	
17	AM127380	Hydraulic Hose	2		ORDER AUC19014, Hydraulic Steering Cylinder, Left / Right
	AUC19014	Hydraulic Hose	2		
18	AUC19016	Oil Line	1		SUB FOR AM130481, Hydraulic Steering Return
19	AUC19051	Oil Line	1		SUB FOR AM130482, Hydraulic Steering Supply
20	AH79175	Clip	2		
21	24M7139	Washer	1		6.400 X 18 X 1.600 mm
22	37M7457	Screw	1		M6 X 16
23	14M7397	Lock Nut	5		M6
24	19M7862	Screw	5		M6 X 20
25	TY22466	Clamp	2		
26	M143509	Hydraulic Hose	1		Hydraulic Steering Return
27	UC32739	Elbow Fitting	1		SUB FOR APPL AT124317
28	R26375	O-Ring	2		
29	CH11562	O-Ring	1	-060000	
30	TCA17288	Fitting	1	-060000	
31	19M8334	Screw	4	-060000	M6 X 30
32A	TCA17292	Hose	1	-060000	Hydraulic Pressure, Steering Control Unit
	TCA21082	Hose	1	060001-075000	Hydraulic Pressure, Steering Control Unit
32B	TCA24020	Hose Kit	1	075001-	ORDER AUC19026, Hydraulic Pressure, Steering Control Unit
	AUC19026	Hydraulic Hose	1		
33	M136017	Retainer	2		
34	M141976	Washer	2		
35	M135249	Bracket	1		Bridge to Axle
36	38H1161	Adapter Fitting	1	060001-	
37	19M7800	Screw	6		M8 X 50
38	11M7017	Cotter Pin	2		3.200 X 32 mm
39	14H918	Nut	2		5/8"
40	AM127081	Tie Rod End	2		
41	14H856	Nut	2		1/2"
42	AM125589	Socket	2		
43	14M7589	Lock Nut	2		M16
44	14M7401	Lock Nut	2		M12
45	AUC12925	Brace	2		SUB FOR AM126403; Cylinder to Socket
46	19M7865	Screw	2		M8 X 16
47	M135250	Bracket	1		Cylinder and Bridge
48	M135252	Rod	1		
49	TCA26135	Hydraulic Cylinder	1		SUB FOR AM130967
50	R28782	O-Ring	2		
51	38H1003	Elbow Fitting	2		
52	H77698	Tie Band	1		
53	R62356	Grommet	1		

Front Brakes ( - 060000)  
 Front Brakes ( - 060000)  
 Front Brakes ( - 060000)  
 Front Brakes ( - 060000)  
 Front Brakes ( - 060000)  
 Front Brakes ( - 060000)

MP63560 A.1



MP63560

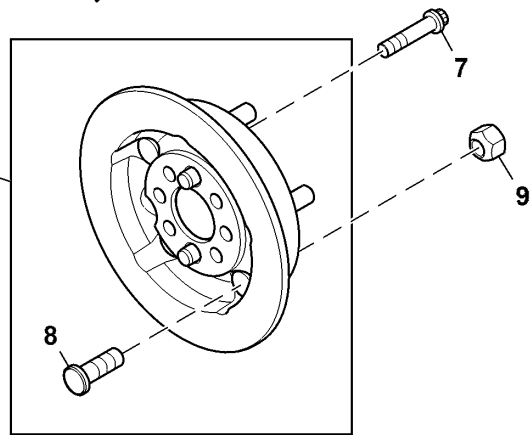
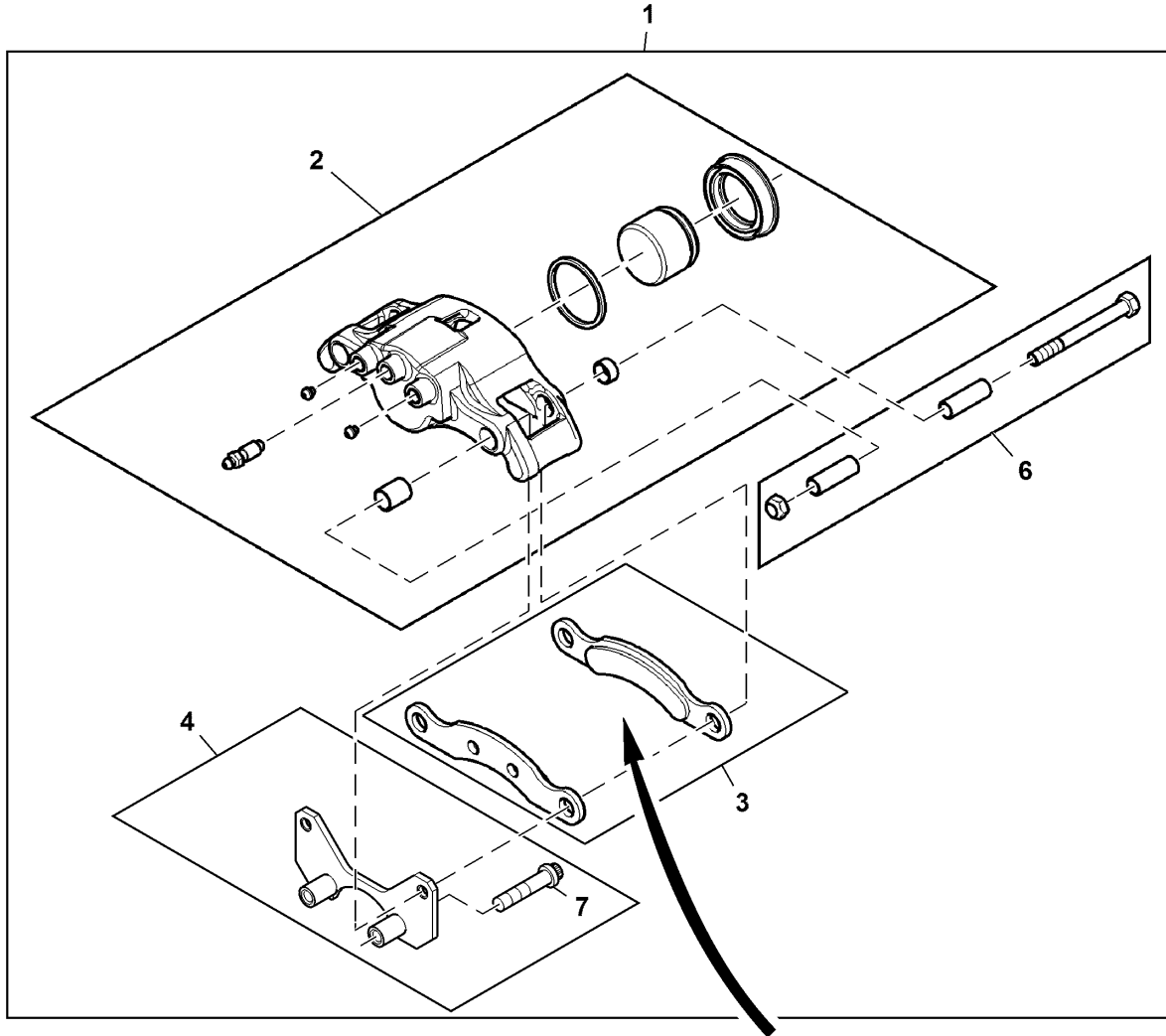


Key	Part No.	Part Name	Qty.	Serial No.	Remarks
1	AM124521	Brake	1		LH
	AM124522	Brake	1		RH
2	AM129897	Screw	1		Bleed Valve
3	M142435	Plate	1		Shoe Guide
4	AM129920	Plate	1		Backing, LH
	AM129921	Plate	1		Backing, RH
5	19M7775	Screw	2		M6 X 16
6	AM129903	Plug Kit	1		Boot
7	AM129899	Brake Shoe	1		Shoe Holddown
8	AM129900	Spring Kit	1		Spring
9	M142431	Lever	1		Brake Pawl, LH
	M142432	Lever	1		Brake Pawl, RH
10	AM129904	Shoe Kit	1		To Service 2 Wheels
11	AM129898	Adjuster	1		LH
	AM129896	Adjuster	1		RH
12	M142430	Link	1		Self Adjuster
13	M142429	Spring	1		Self Adjuster
14	AM129923	Cylinder	1		Wheel, LH
	AM129924	Cylinder	1		Wheel, RH
15	AM129922	Seal Kit	1		
16	M131518	Screw	4		
17	AM130349	Brake Drum	1		
18	M154392	Pin	1		SUB FOR M141718
19	M140438	Wheel Bolt	5		
20	M141434	Screw	6		

Note: Quantities Shown are For One Wheel  
Note: Quantities Shown are For One Wheel  
Note: Quantities Shown are For One Wheel  
Note: Quantities Shown are For One Wheel  
Note: Quantities Shown are For One Wheel  
Note: Quantities Shown are For One Wheel

Brakes, Front (060001 - )  
 Brakes, Front (060001 - )  
 Brakes, Front (060001 - )  
 Brakes, Front (060001 - )  
 Brakes, Front (060001 - )  
 Brakes, Front (060001 - )

PU28772 A.1

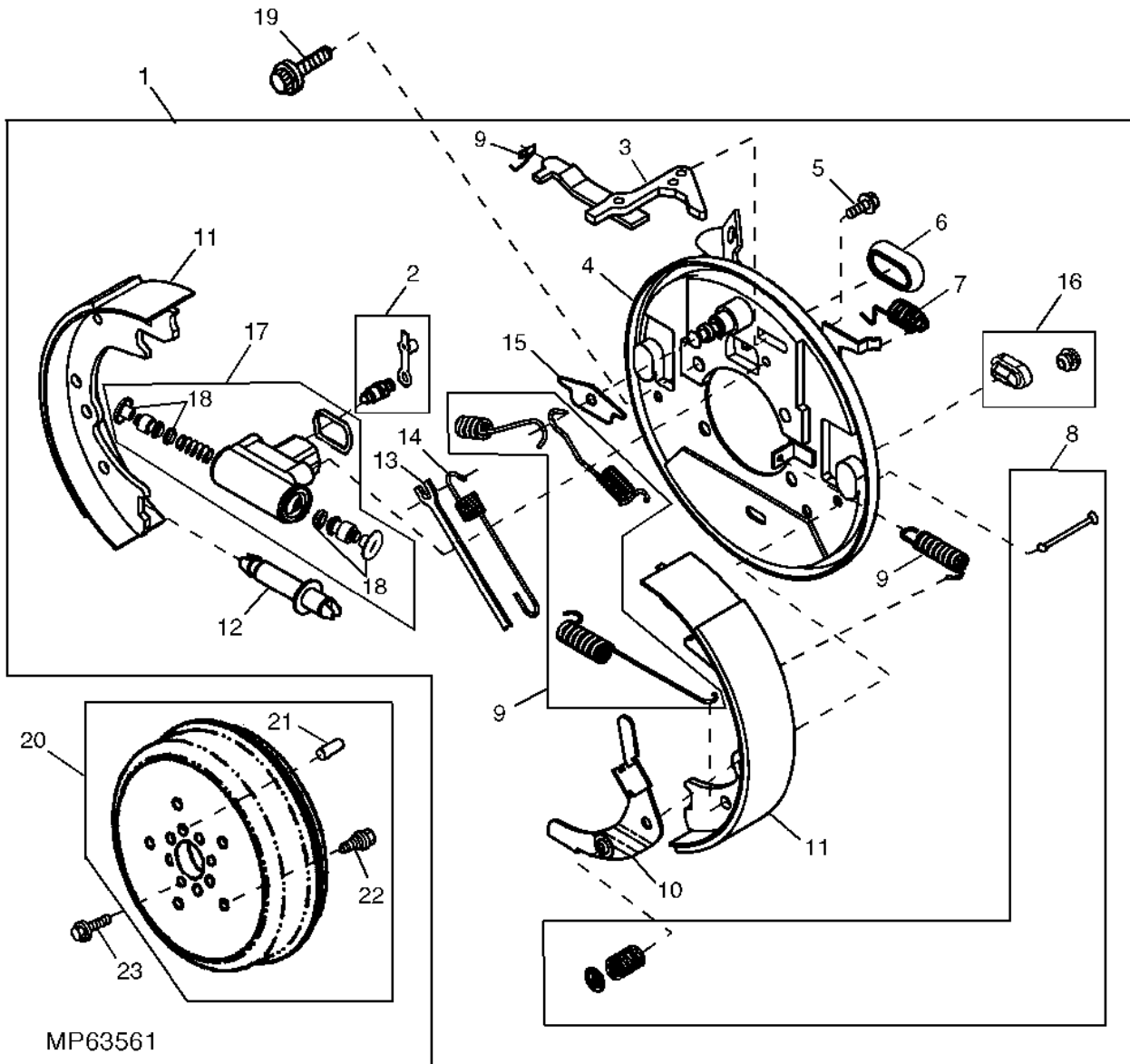


PU28772

Key	Part No.	Part Name	Qty.	Serial No.	Remarks
1	TCA20778	Brake	1		Drive
	TCA20779	Brake	1		Passenger
2	TCA21645	Disk Brake Caliper Assy	2	-060000	Service Brake
	TCA22846	Disk Brake Caliper Assy	1	060001-	SUB FOR TCA21645; USE WITH TCA20778; LH
	TCA22847	Disk Brake Caliper Assy	1	060001-	SUB FOR TCA21645; USE WITH TCA20779; RH
3	TCA21643	Kit	2		Brake Pad
4	TCU31309	Kit	2		Mounting Bracket
5	TCA20782	Hub	2		Brake Rotor
6	TCA21644	Bolt Kit	2		Mounting Bolt
7	TCU29836	Screw	16		
8	TCU38630	Wheel Bolt	10		5 Per Wheel
9	M140439	Nut	10		

Rear Brakes ( - 060000)  
 Rear Brakes ( - 060000)  
 Rear Brakes ( - 060000)  
 Rear Brakes ( - 060000)  
 Rear Brakes ( - 060000)  
 Rear Brakes ( - 060000)

MP63561 A.1



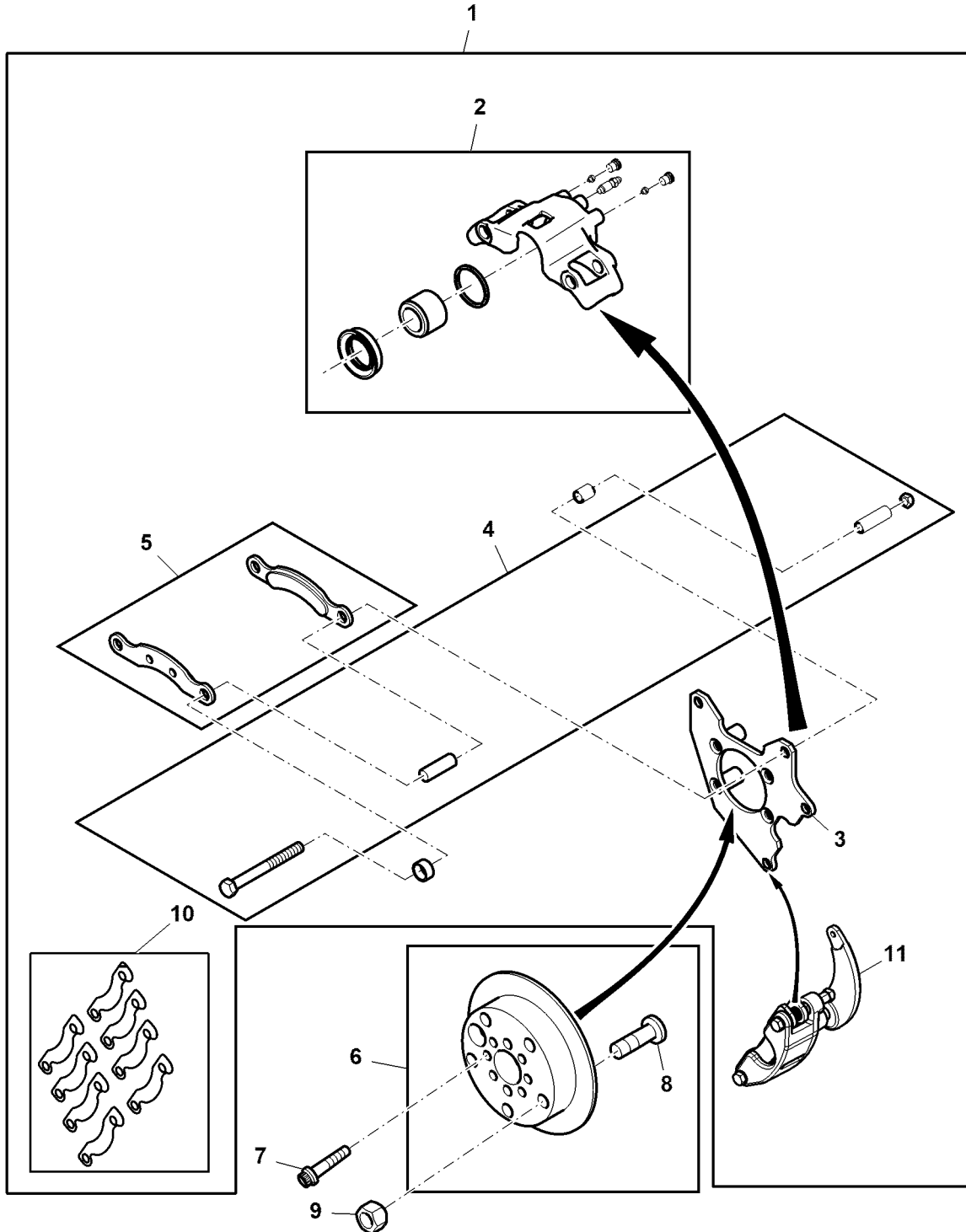
MP63561

Key	Part No.	Part Name	Qty.	Serial No.	Remarks
1	AM124519	Brake	1		LH
	AM124520	Brake	1		RH
2	AM129897	Screw	1		Bleed Valve
3	AM129901	Lever	1		Park Brake, LH
	AM129902	Lever	1		Park Brake, RH
4	AM129905	Plate	1		Backing, LH
	AM129906	Plate	1		Backing, RH
5	19M7775	Screw	2		M6 X 16
6	M142434	Boot	1		Lever
7	M142433	Spring	1		Lever Return
8	AM129899	Brake Shoe	1		Shoe Holddown
9	AM129900	Spring Kit	1		
10	M142431	Lever	1		Brake Pawl, LH
	M142432	Lever	1		Brake Pawl, RH
11	AM129904	Shoe Kit	1		To Service 2 Wheels
12	AM129898	Adjuster	1		LH
	AM129896	Adjuster	1		RH
13	M142430	Link	1		Self Adjuster
14	M142429	Spring	1		Self Adjuster
15	M142435	Plate	1		Shoe Guide
16	AM129903	Plug Kit	1		Plug
17	AM129893	Cylinder	1		Wheel, LH
	AM129894	Cylinder	1		Wheel, RH
18	AM129895	Seal Kit	1		
19	M131518	Screw	4		
20	AM130349	Brake Drum	1		
21	M154392	Pin	1		SUB FOR M141718
22	M140438	Wheel Bolt	5		
23	M141434	Screw	6		

Note: Quantities Shown are For One Wheel  
Note: Quantities Shown are For One Wheel  
Note: Quantities Shown are For One Wheel  
Note: Quantities Shown are For One Wheel  
Note: Quantities Shown are For One Wheel  
Note: Quantities Shown are For One Wheel

Brakes, Rear (060001 - )  
 Brakes, Rear (060001 - )  
 Brakes, Rear (060001 - )  
 Brakes, Rear (060001 - )  
 Brakes, Rear (060001 - )  
 Brakes, Rear (060001 - )

PU47855 A.1

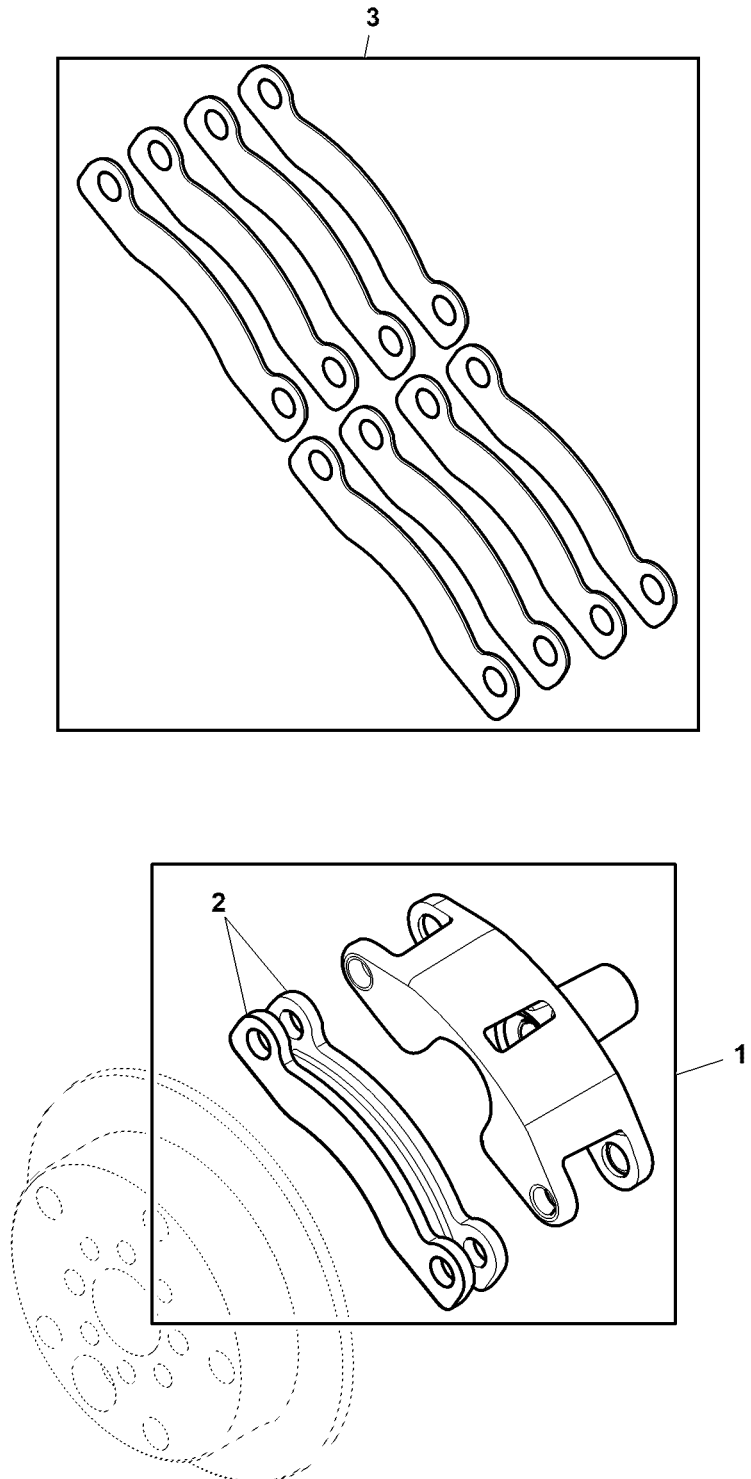


PU47855

Key	Part No.	Part Name	Qty.	Serial No.	Remarks
1	TCA20780	Brake Kit	1		INCLUDES AUC18286, Drive
	TCA20781	Brake Kit	1		INCLUDES AUC18286, Passenger
2	TCA21645	Disk Brake Caliper Assy	2	-060000	
	TCA22846	Disk Brake Caliper Assy	1	060001-	SUB FOR TCA21645; USE WITH TCA20780, LH
	TCA22847	Disk Brake Caliper Assy	1	060001-	SUB FOR TCA21645; USE WITH TCA20781, RH
3	TCU31308	Bracket Kit	1		USE WITH TCA20780, Mounting, LH
	TCU31307	Bracket Kit	1		USE WITH TCA20781, Mounting, RH
4	TCA21644	Bolt Kit	1		Mounting Bolt
5	TCA21643	Brake Pad	1		Kit
6	TCA20782	Hub	2		Brake Rotor
7	TCU29836	Screw	20		
8	TCU38630	Wheel Bolt	10		5 Per Wheel
9	M140439	Nut	10		
10	AUC16776	Shim Kit	1		Park Brake
11	AUC18284	Brake	1		USE WITH TCA20780, LH
	AUC18285	Brake	1		USE WITH TCA20781, RH
12	AUC18286	Brake Pad	2		Park Brake, Not Illustrated

Park Brake Kit  
Park Brake Kit  
Park Brake Kit  
Park Brake Kit  
Park Brake Kit  
Park Brake Kit

PU41575 A.1



PU41575



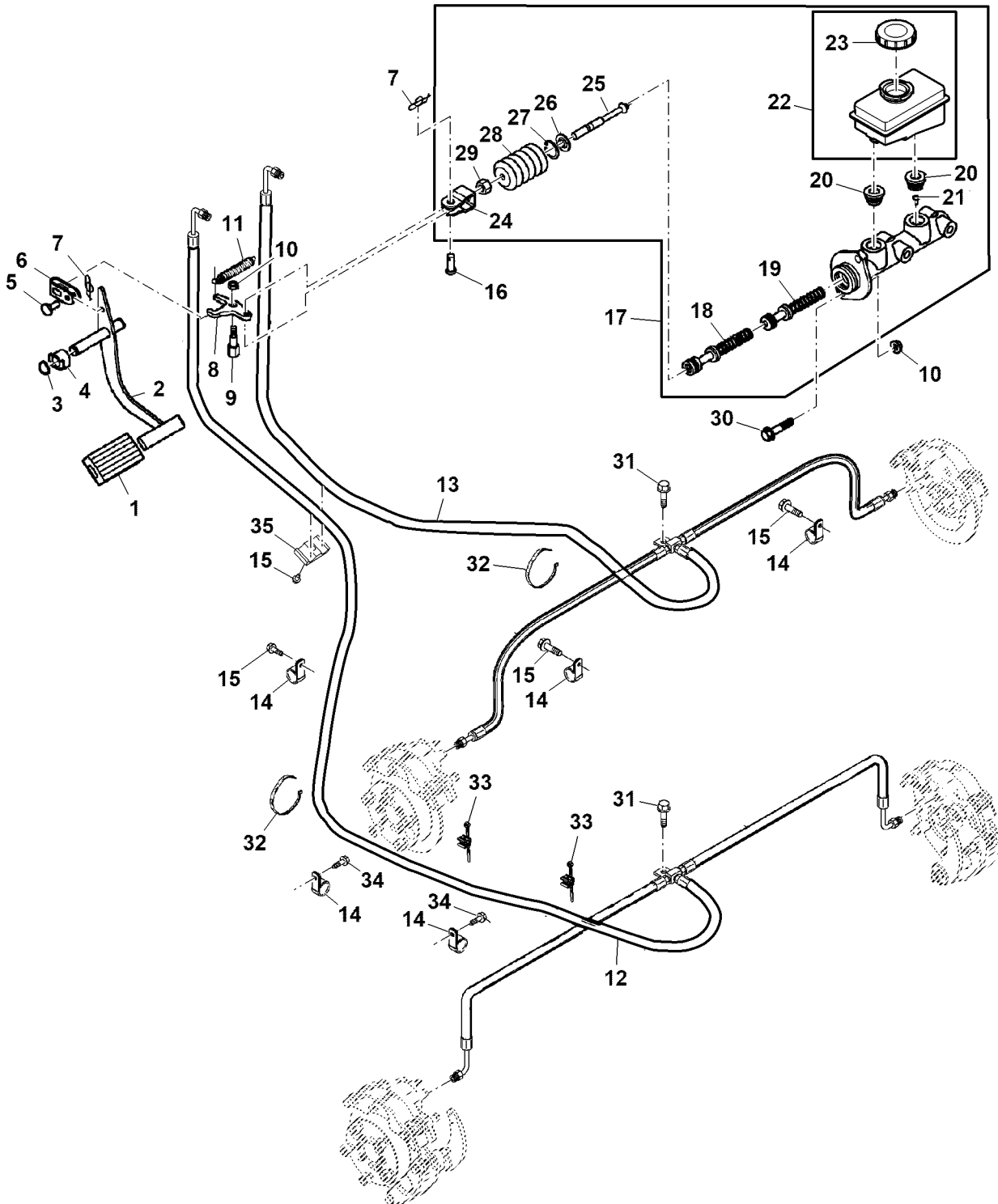
---

Key	Part No.	Part Name	Qty.	Serial No.	Remarks
1	AUC18284	Brake	1		INCLUDES (2) TCA24314; SUB FOR TCA24315, LH
	AUC18285	Brake	1		INCLUDES (2) TCA24314; SUB FOR TCA24316 , RH
2	AUC18286	Brake Pad	2		SUB FOR TCA24314
3	AUC16776	Shim Kit	1		

---

Master Brake and Pedal  
 Master Brake and Pedal  
 Master Brake and Pedal  
 Master Brake and Pedal  
 Master Brake and Pedal

PU39197 A.1



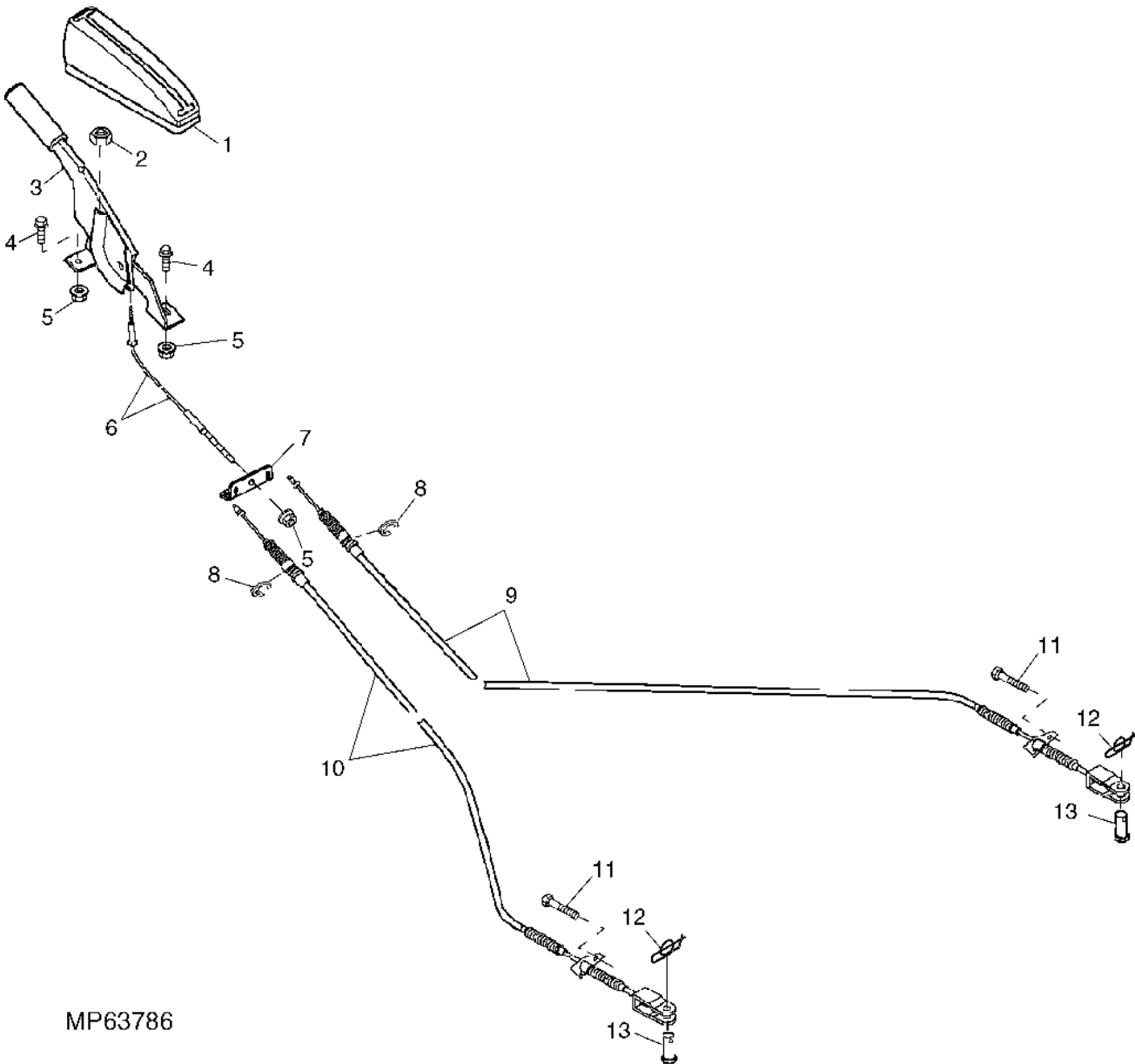
PU39197

Key	Part No.	Part Name	Qty.	Serial No.	Remarks
1	M129981	Pad	1		
2	AUC12919	Pedal	1		
3	M40514	Snap Ring	2		SUB FOR AM124528
4	M81214	Bearing	2		
5	L1498N	Pin	1		
6	M129852	Clevis	1		
7	TCU18704	Pin	2		ORDER TCU33336; SUB FOR 11M7082
	TCU33336	Pin	2		
8	M150798	Plate	1		Brake Pivot
9	M141130	Bolt	1		
10	14M7400	Lock Nut	3	-060000	M10
	14M7465	Lock Nut	3	060001-	M10
11	M226T	Spring	1		
12	TCA16836	Hydraulic Hose	1	-060000	Rear
	TCA20817	Hydraulic Hose	1	060001-	ORDER TCA25002; Axle Brake, Rear
	AUC19871	Hydraulic Hose	1		SUB FOR TCA25002, Axle Brake, Rear
13	TCA16835	Hydraulic Hose	1	-060000	Front
	AUC19870	Hydraulic Hose	1	060001-	SUB FOR TCA20816, Front
14	M47566	Clip	7	-060000	
	AH87142	Clip	6	060001-	
15	37M7458	Screw	5		M6 X 12
16	L1509N	Pin	1		
17	AM124527	Cylinder	1		Master
18	AM129884	Piston	1		Primary
19	AM129883	Piston	1		Secondary
20	M142421	Seal	2		
21	M142420	Pin Fastener	1		
22	AM129882	Reservoir	1		
23	AM129886	Cap	1		
24	M142416	Clevis	1		
25	M142419	Push Rod	1		
26	M142418	Washer	1		
27	R46205	Ring	1		
28	M142417	Cover	1		Dust
29	14M7274	Nut	1		M10
30	19M7786	Screw	2		M10 X 30
31	TCU32067	Screw	2		M8 X 16
32	H77698	Tie Band	2		
33	AH225364	Clip	2		
34	GX22456	Screw	2	060001-	
35	H120847	Clamp	1	060001-	
36	12H304	Lock Washer	2	-060000	3/8", Not Illustrated

Parking Brake (- 060000)  
Parking Brake (- 060000)  
Parking Brake (- 060000)  
Parking Brake (- 060000)  
Parking Brake (- 060000)  
Parking Brake (- 060000)



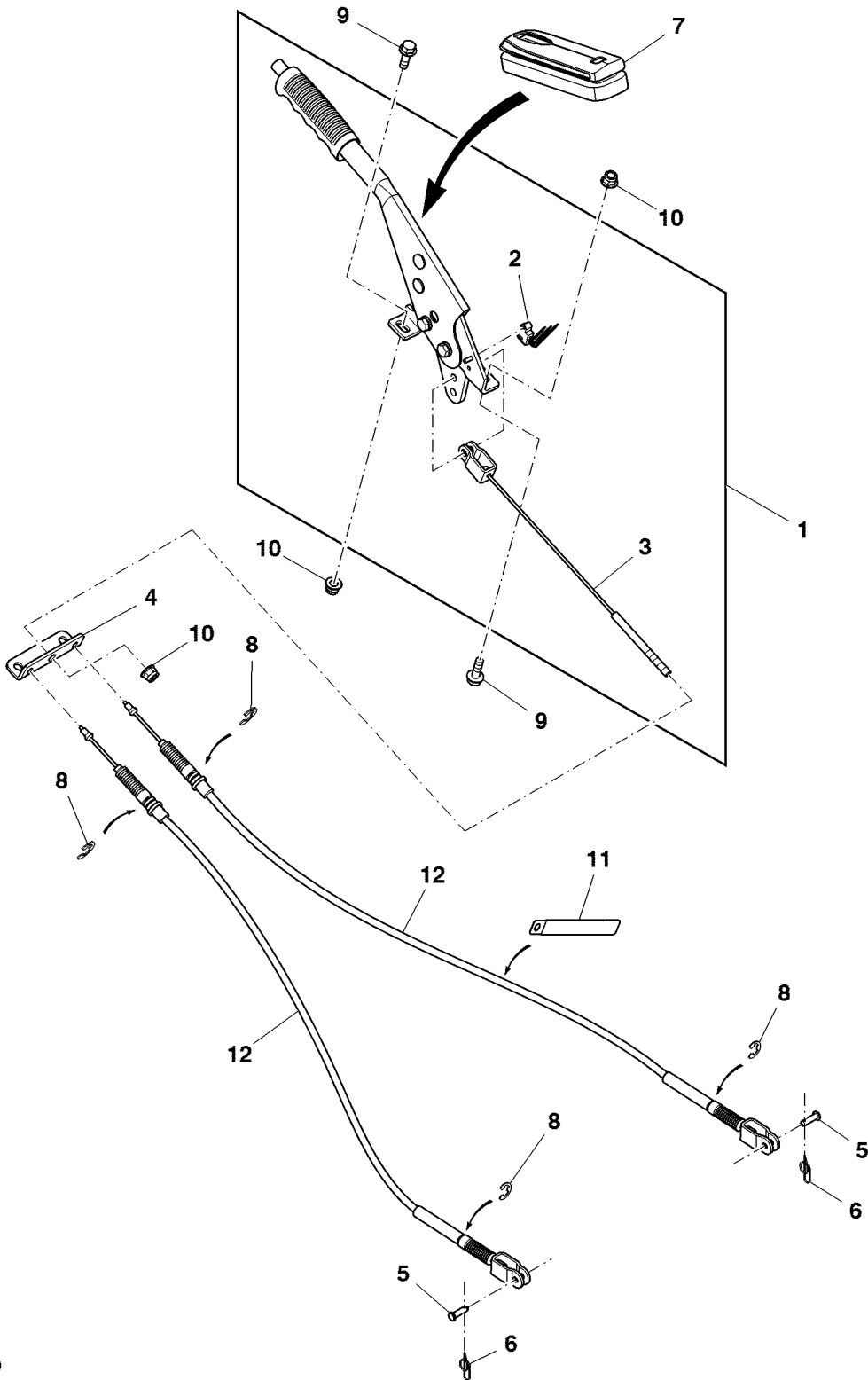
MP63786 A.1



Key	Part No.	Part Name	Qty.	Serial No.	Remarks
1	M140002	Boot	1		ORDER TCU24906
	TCU24906	Boot	1		
	TCU32810	Boot	1		SUB FOR TCU24906
2	14M7397	Lock Nut	1		M6
3	AM130505	Lever	1		ORDER TCA18470; INCLUDES M143523
	TCA18470	Lever	1		INCLUDES TCU25024 AND TCA18471
4	19M7867	Screw	2		M8 X 25
5	14M7396	Lock Nut	3		M8
6	M131001	Cable	1		Front, USE WITH AM130505
	TCA18471	Cable	1		USE WITH TCA18470
7	M143190	Balancer	1		
8	R26871	Snap Ring	2		
9	TCU20630	Cable	1		Control, RH
10	TCU20631	Cable	1		Control, LH
11	19M7865	Screw	4		M8 X 16
12	TCU14113	Pin	2		ORDER TCU33333 SUB FOR 11M7093
	TCU33333	Pin	2		
13	M72069	Pin Fastener	2		

Parking Brake (060001 - )  
 Parking Brake (060001 - )  
 Parking Brake (060001 - )  
 Parking Brake (060001 - )  
 Parking Brake (060001 - )  
 Parking Brake (060001 - )

PU11639 A.1



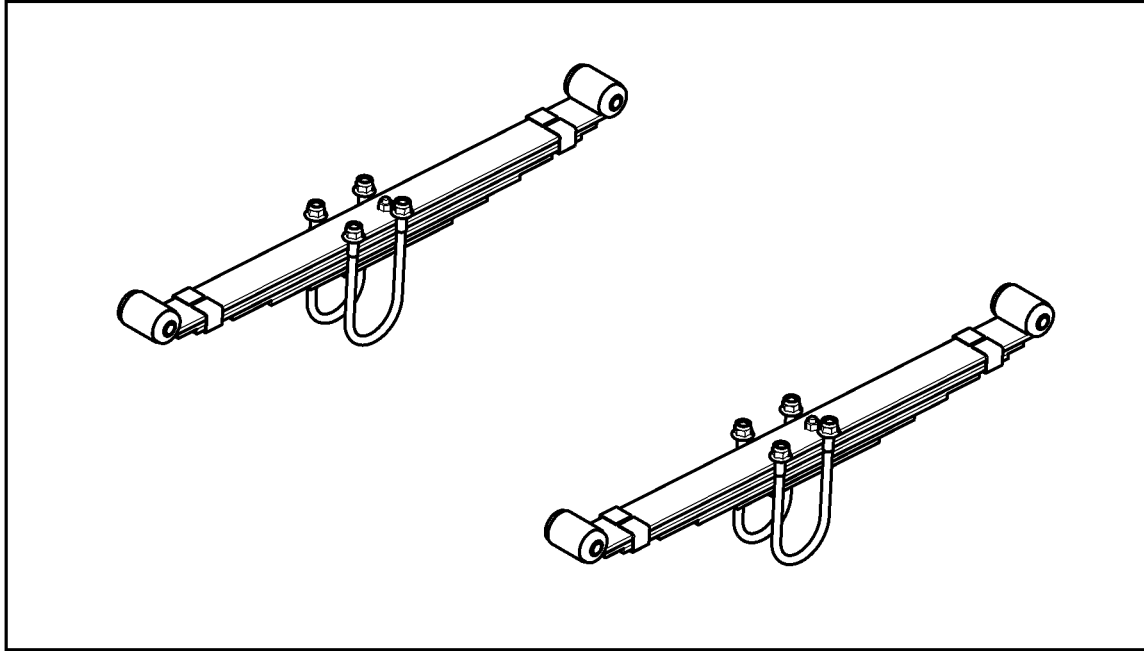
PU11639

Key	Part No.	Part Name	Qty.	Serial No.	Remarks
1	TCA21226	Lever	1		Parking Brake
2	TCU31018	Switch	1		Micro Brake Lever
3	TCA21445	Cable	1		
4	M143190	Balancer	1		Parking Brake
5	M72069	Pin Fastener	2		
6	TCU14113	Pin	2		ORDER TCU33333
	TCU33333	Pin	2		
7	TCU32810	Boot	1		SUB FOR TCU24906
8	R26871	Snap Ring	4		
9	19M7867	Screw	2		M8 X 25
10	14M7396	Lock Nut	3		M8
11	M809307	Clamp	1		
12	TCA20928	Push Pull Cable	2	-075000	Park, Rear
	TCA24037	Push Pull Cable	2	075001-	Park, Rear

Attachment, Heavy Duty Leaf Spring, Rear  
 Attachment, Heavy Duty Leaf Spring, Rear  
 Attachment, Heavy Duty Leaf Spring, Rear  
 Attachment, Heavy Duty Leaf Spring, Rear  
 Attachment, Heavy Duty Leaf Spring, Rear  
 Attachment, Heavy Duty Leaf Spring, Rear



TCB10910 A.1



TCB10910

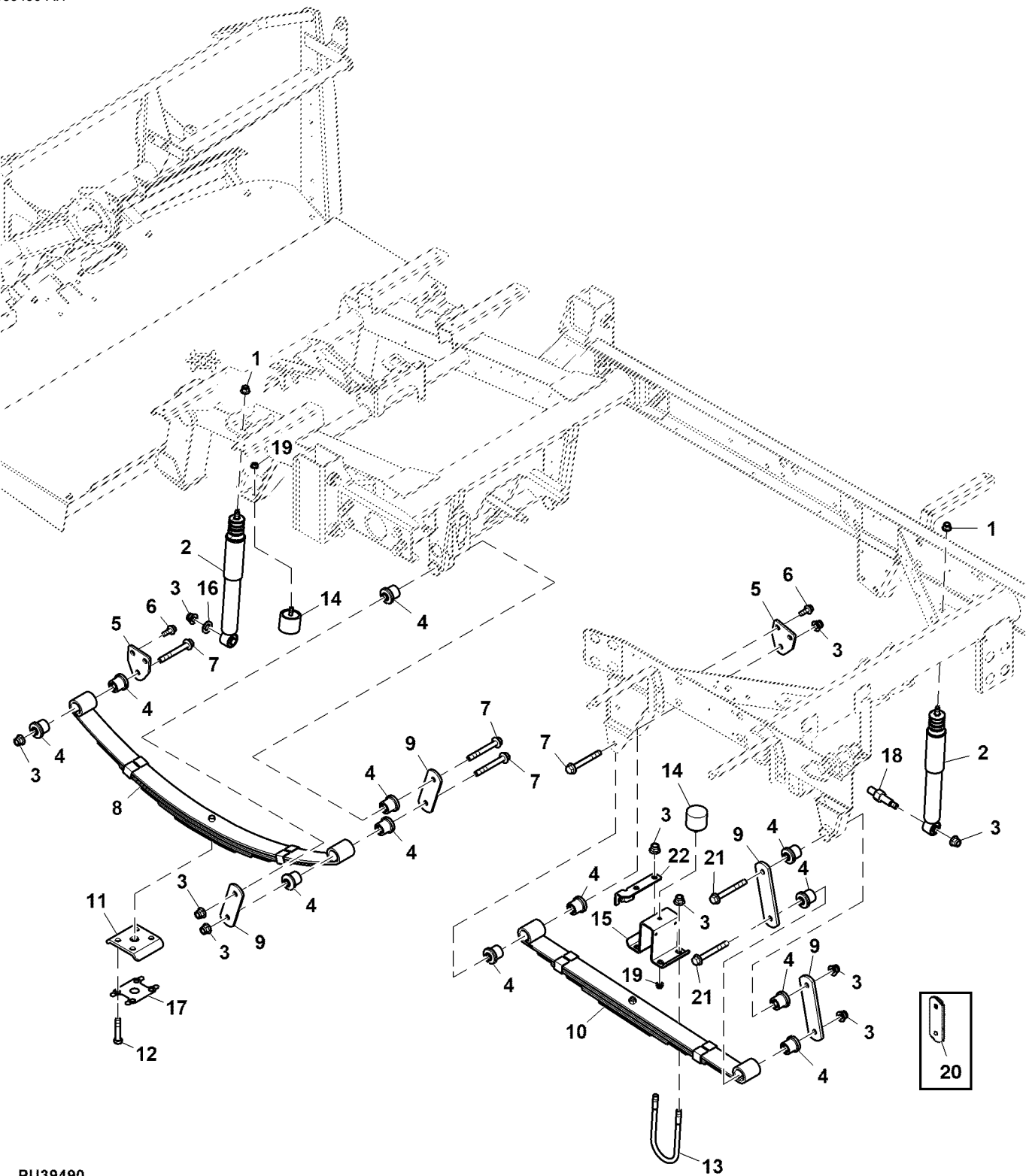
Key	Part No.	Part Name	Qty.	Serial No.	Remarks
1	TCB10910	Leaf Spring	1		





Shock Absorbers and Leaf Springs  
Shock Absorbers and Leaf Springs  
Shock Absorbers and Leaf Springs  
Shock Absorbers and Leaf Springs  
Shock Absorbers and Leaf Springs

PU39490 A.1



PU39490

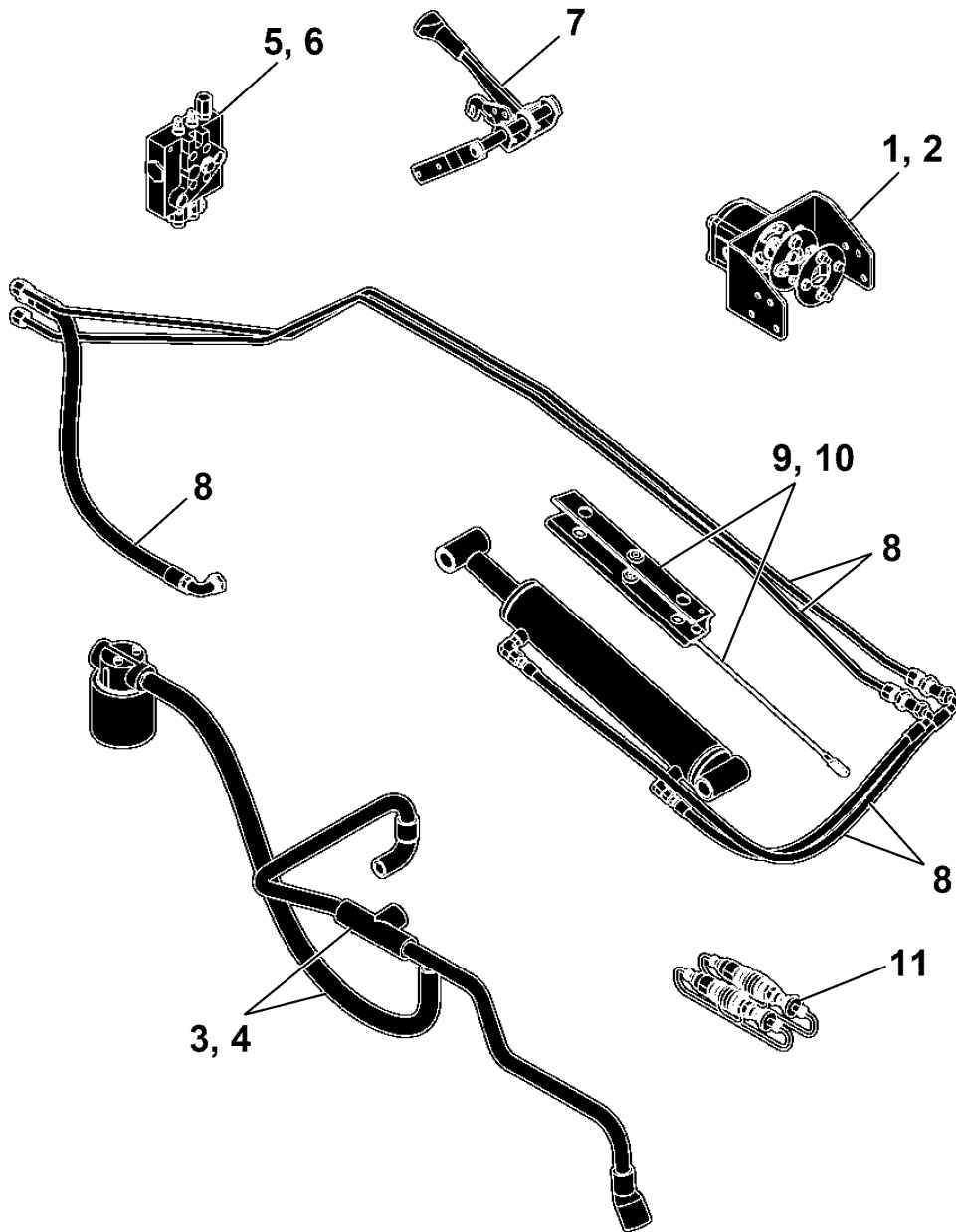
Key	Part No.	Part Name	Qty.	Serial No.	Remarks
1	14M7465	Lock Nut	4		M10
2	M129844	Shock Absorber	4		
3	14M7401	Lock Nut	24		M12
4	M131435	Isolator	24		
5	M129978	Plate	4		
6	19M7785	Screw	8		M10 X 25
7	M129977	Screw	8		
8	VGA10351	Leaf Spring	2		Front
9	M141008	Shackle	8	-060000	
	M141008	Shackle	4	060001-080000	
	M141008	Shackle	8	080001-	
10	VGA10374	Leaf Spring	2		Standard, Rear
	TCA15548	Leaf Spring	2		Heavy Duty, Rear
11	M131496	Clamp	2		
12	19M7363	Cap Screw	8		M12 X 60
13	TCU19565	U-Bolt	4		SUB FOR VG11077
14	M129924	Bumper	4		
15	M140616	Bracket	2		Upstop
16	24M7053	Washer	2		17 X 30 X 3 mm
17	M142625	Lock Plate	2		
18	M131461	Stud	2		
19	14M7298	Flange Nut	4		M8
20	TCU28395	Shackle	4	060001-080000	
21	19M7820	Screw	4	060001-	M12 X 100
22	TCU30043	Bracket	1	060001-	Cable Passenger Side, RH
	TCU30005	Bracket	1	060001-	Cable Driver Side, LH



Sectional Pictorial Index  
 Index d'illustrations par sections.  
 Gruppenbildindex  
 Indice illustrato delle sezioni  
 Índice de ilustraciones por secciones  
 Avsnittsbildregister

PU39426 A.1

1-	234
2-	236
3-	238
4-	240
5-	242
6-	244
7-	246
8-	248
9-	250
10-	251
11-	252

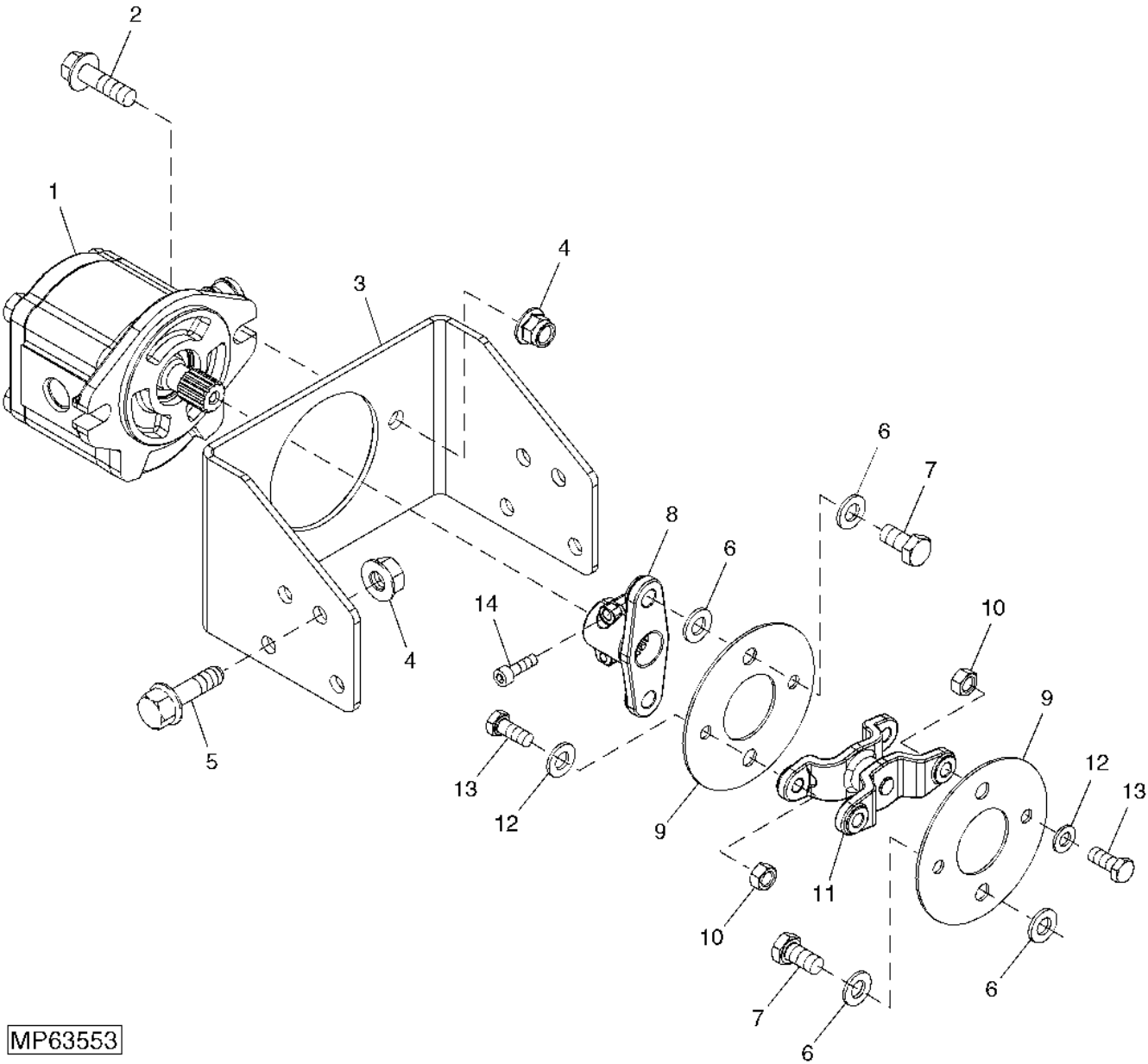


PU39426

Hydraulic Pump, Bracket and Coupling ( - 060000)  
Hydraulic Pump, Bracket and Coupling ( - 060000)  
Hydraulic Pump, Bracket and Coupling ( - 060000)  
Hydraulic Pump, Bracket and Coupling ( - 060000)  
Hydraulic Pump, Bracket and Coupling ( - 060000)  
Hydraulic Pump, Bracket and Coupling ( - 060000)



MP63553 A.1

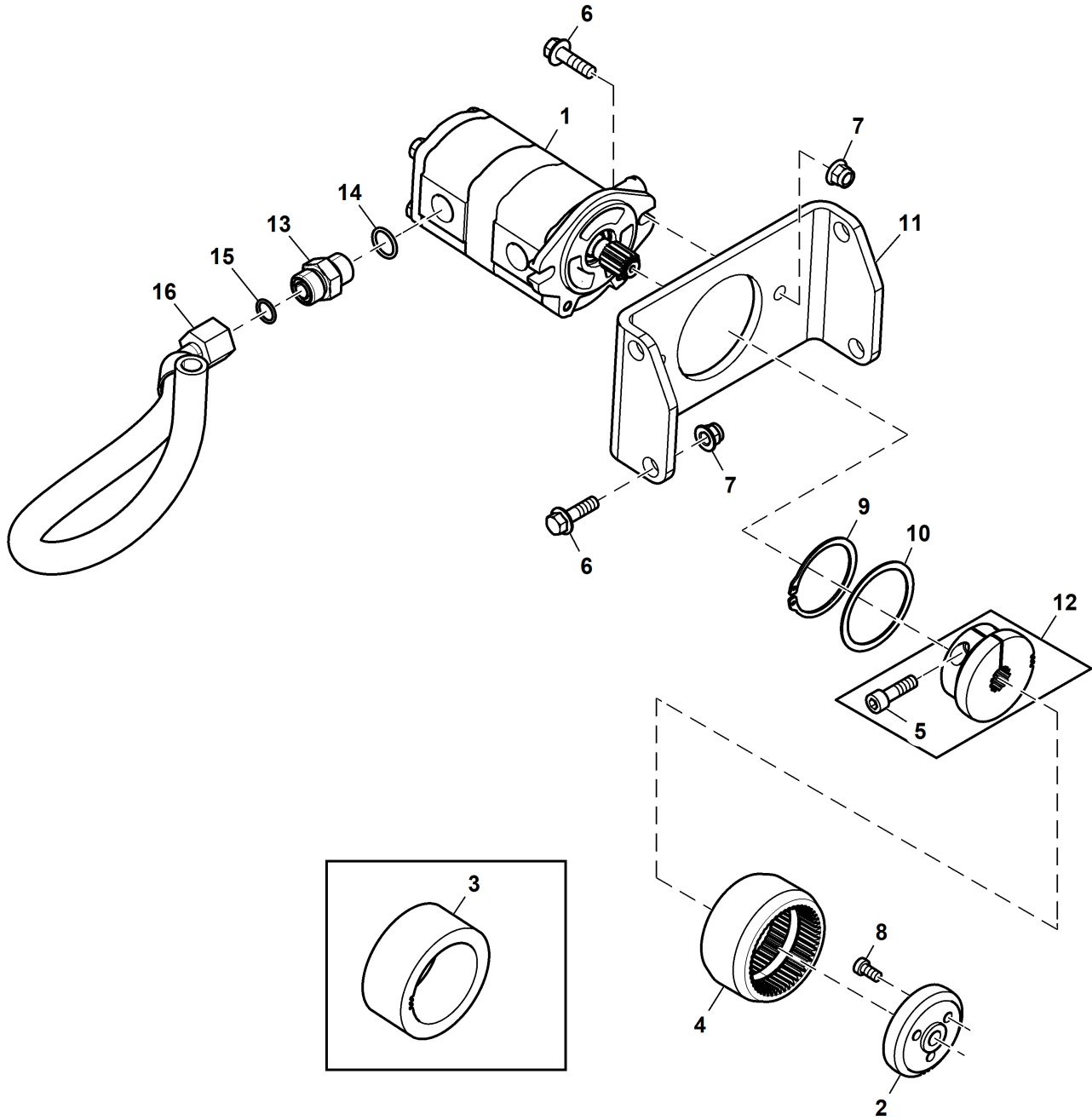


MP63553

Key	Part No.	Part Name	Qty.	Serial No.	Remarks
1	TCA17271	Hydraulic Pump	1		INCLUDES TCA21438 Not Illustrated, Single Gear Pump
	TCA21438	Seal Kit	1		
2	19M7804	Screw	2		M10 X 40
3	TCU20777	Channel	1		Hydraulic Pump Mounting
4	14M7465	Lock Nut	6		M10
5	19M7786	Screw	4		M10 X 30
6	24M7028	Washer	8		10.500 X 20 X 2 mm
7	TCU22740	Cap Screw	4		Pump Drive
8	LVU13538	Hub	1		
9	LVU13540	Disk	2		Direct Drive
10	14M7273	Nut	4		M8
11	LVU13391	Splined Coupling	1		
12	24M7055	Washer	4		8.400 X 16 X 1.600 mm
13	TCU22741	Cap Screw	4		
14	TCU22742	Screw	2		

Hydraulic Pump, Bracket and Coupling (060001 - )  
Hydraulic Pump, Bracket and Coupling (060001 - )  
Hydraulic Pump, Bracket and Coupling (060001 - )  
Hydraulic Pump, Bracket and Coupling (060001 - )  
Hydraulic Pump, Bracket and Coupling (060001 - )  
Hydraulic Pump, Bracket and Coupling (060001 - )

PU51111 A.1



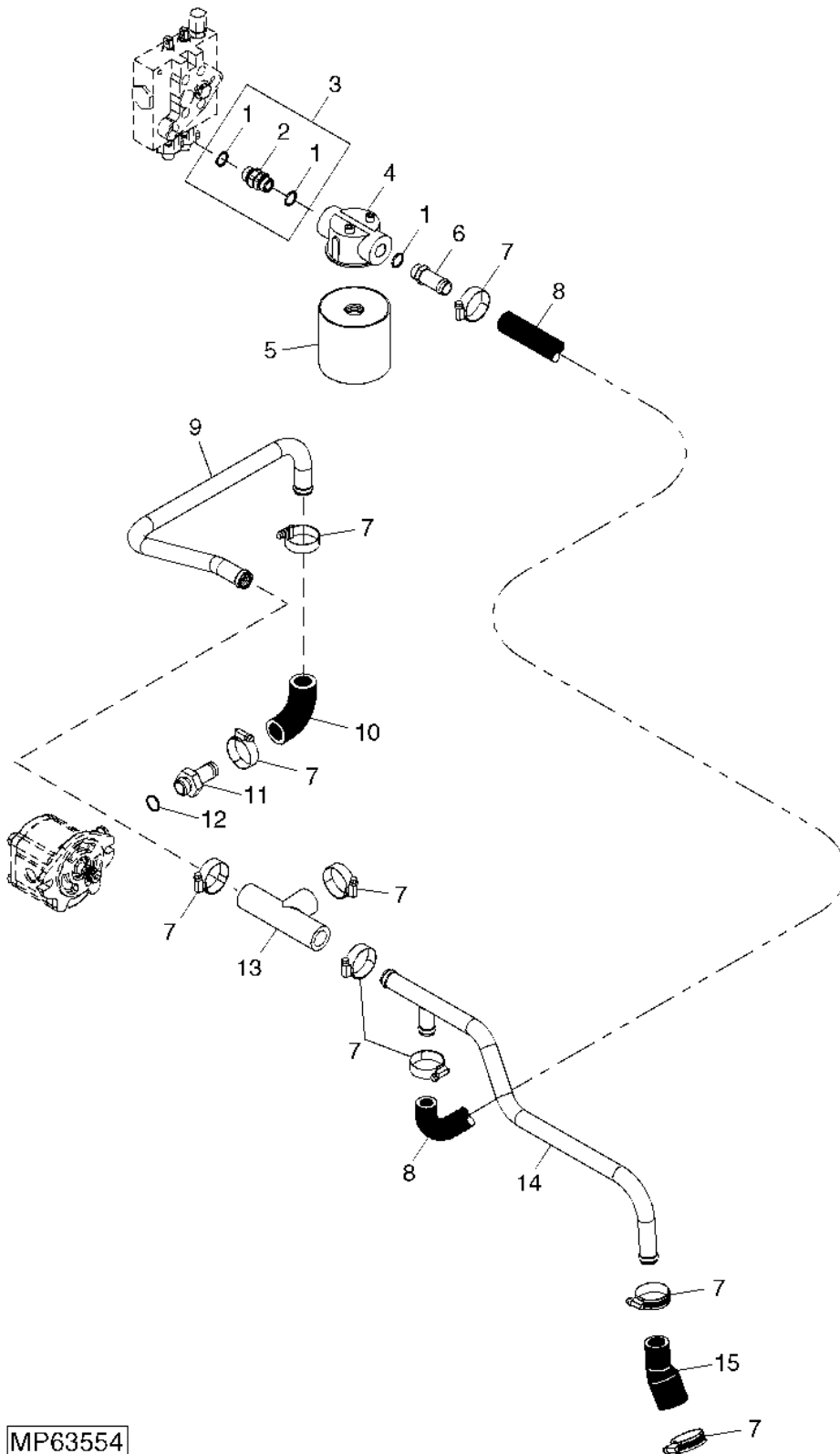
PU51111



Key	Part No.	Part Name	Qty.	Serial No.	Remarks
1	TCA19758	Hydraulic Pump	1		INCLUDES TCA21439
2	MT2306	Hub	1		
3	MT2308	Sleeve	1	-090229	
4	UC14846	Sleeve	1	090230-	
5	19M8337	Screw	1		M10 X 30
6	19M7804	Screw	6		M10 X 40
7	14M7465	Lock Nut	6		M10
8	TCU32067	Screw	3		
9	40M7138	Snap Ring	1		USE WITH MT2308 AND TCA23809
10	MT2495	Washer	1		USE WITH MT2308 AND TCA23809
11	TCU28974	Bracket	1		Hydraulic Pump
12	TCA23809	Hub Kit	1	-090229	
	AUC11115	Hub Kit	1	090230-	
13	38H3161	Adapter Fitting	1		
14	R26375	O-Ring	1		
15	T77857	O-Ring	1		
16	AUC19026	Hydraulic Hose	1		
17	TCA21439	Seal Kit	1		Not Illustrated

Hydraulic Supply Lines and Filter (- 060000)  
Hydraulic Supply Lines and Filter (- 060000)  
Hydraulic Supply Lines and Filter (- 060000)  
Hydraulic Supply Lines and Filter (- 060000)  
Hydraulic Supply Lines and Filter (- 060000)  
Hydraulic Supply Lines and Filter (- 060000)

MP63554 A.1

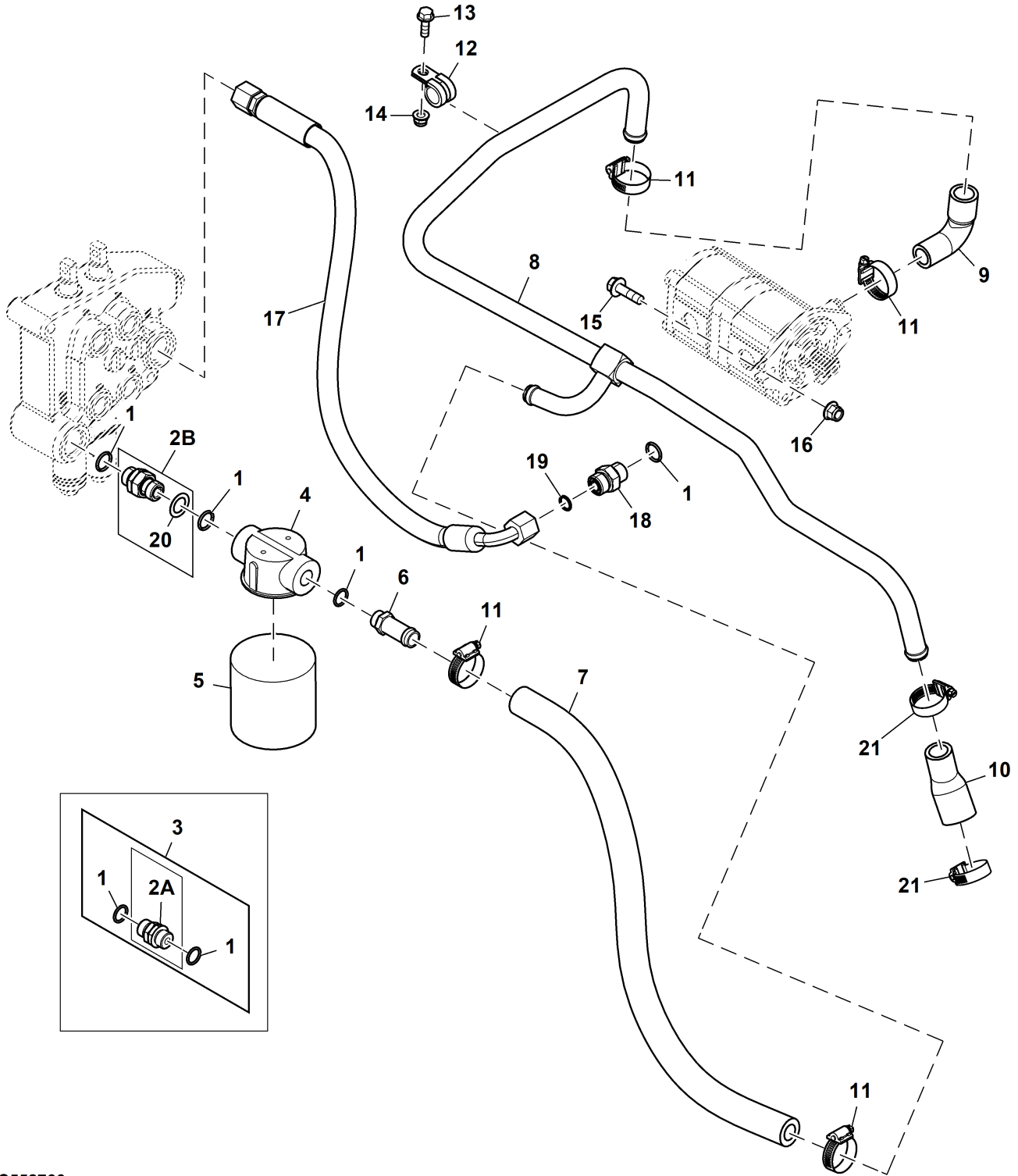


MP63554

Key	Part No.	Part Name	Qty.	Serial No.	Remarks
1	R26375	O-Ring	3		
2	AN131153	Union Fitting	1		
3	AM130333	Union Fitting	1		
4	M143206	Filter Head	1		
5	M131053	Oil Filter	1		USE WITH MIA12139 OR MIA13217
6	R75562	Adapter Fitting	1	-070000	
	TCU37890	Fitting	1	070001-	
7	TY22467	Clamp	9		
8	TCU25721	Bulk Hose	AR		
9	TCU22724	Tube	1		Lift Cylinder
10	TCU22175	Hose	1		
11	R52683	Fitting	1		
12	R26906	O-Ring	1		
13	TCU22722	Tee Fitting	1		
14	TCU23280	Tube	1		Steering Supply
15	M129931	Hose	1		Hydraulic Suction

Hydraulic Supply Oil Lines and Filter Head (060001 - )  
 Hydraulic Supply Oil Lines and Filter Head (060001 - )  
 Hydraulic Supply Oil Lines and Filter Head (060001 - )  
 Hydraulic Supply Oil Lines and Filter Head (060001 - )  
 Hydraulic Supply Oil Lines and Filter Head (060001 - )  
 Hydraulic Supply Oil Lines and Filter Head (060001 - )

TC552766 A.1

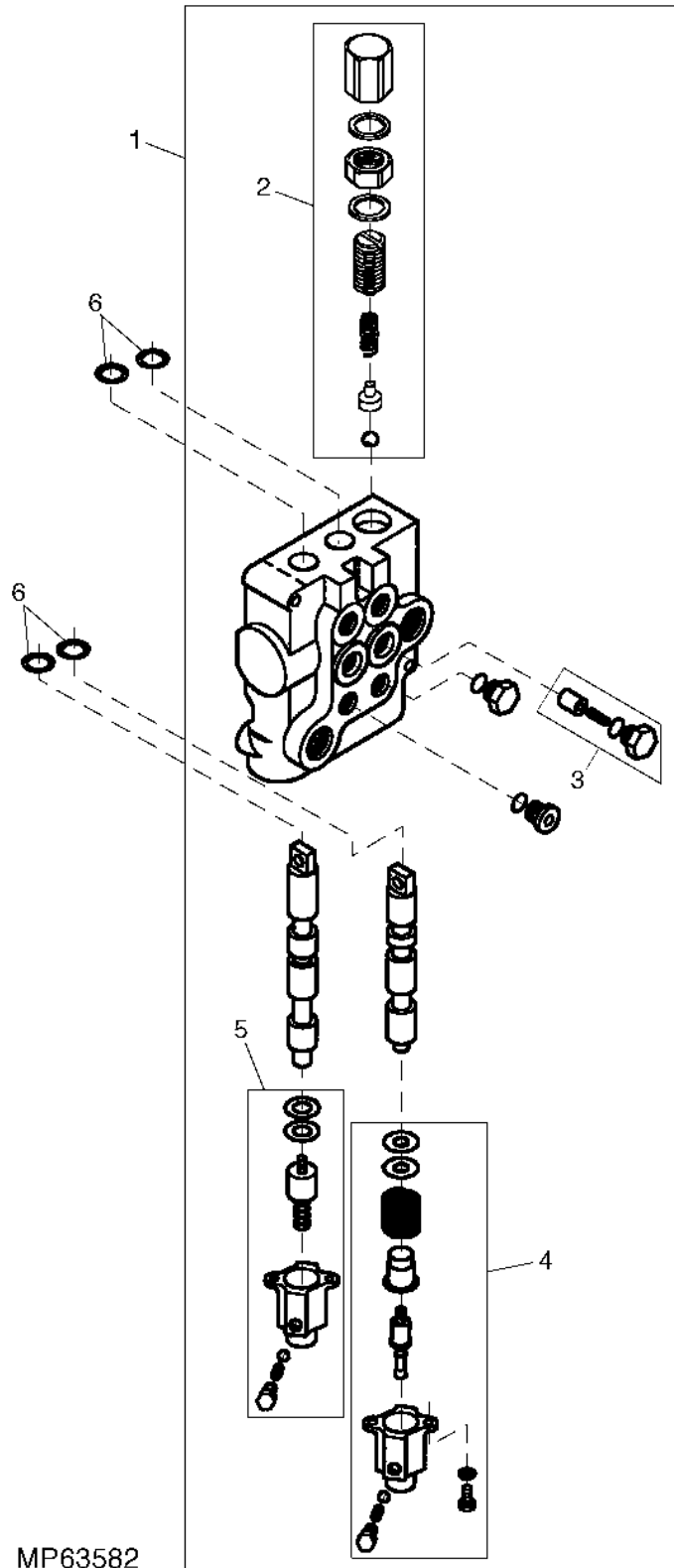


TC552766

Key	Part No.	Part Name	Qty.	Serial No.	Remarks
1	R26375	O-Ring	4		
2A	AN131153	Union Fitting	1		
2B	AUC20452	Union Fitting	1		
3	AM130333	Union Fitting	1		INCLUDES R26375, AN131153
4	M143206	Filter Head	1		
5	M131053	Oil Filter	1		
6	R75562	Adapter Fitting	1	-070000	
	UC32488	Adapter Fitting	1	070001-	SUB FOR APPL TCU37890
7	TCU25721	Hose	1		Filter Head Outlet to Supply Tube
8	TCA21440	Oil Tube	1		Supply
9	TCU22175	Hose	1		Hydraulic Elbow
10	M129931	Hose	1		Hydraulic Suction
11	TY22466	Hose Clamp	4		
12	T78787	Clamp	1		
13	19M7407	Cap Screw	2		M8 X 25
14	14M7396	Lock Nut	1		M8
15	19M7835	Screw	2		M10 X 35
16	14M7465	Lock Nut	2		M10
17	AUC19025	Hydraulic Hose	1		
18	38H3161	Adapter Fitting	1		
19	T77857	O-Ring	1		12.421 X 1.778 mm
20	R27449	Washer	1		16.612 X 25.400 X 0.914 mm
21	AR21839	Hose Clamp	2		

Hydraulic Control Valve (- 060000)  
Hydraulic Control Valve (- 060000)  
Hydraulic Control Valve (- 060000)  
Hydraulic Control Valve (- 060000)  
Hydraulic Control Valve (- 060000)  
Hydraulic Control Valve (- 060000)

MP63582 A.1



---

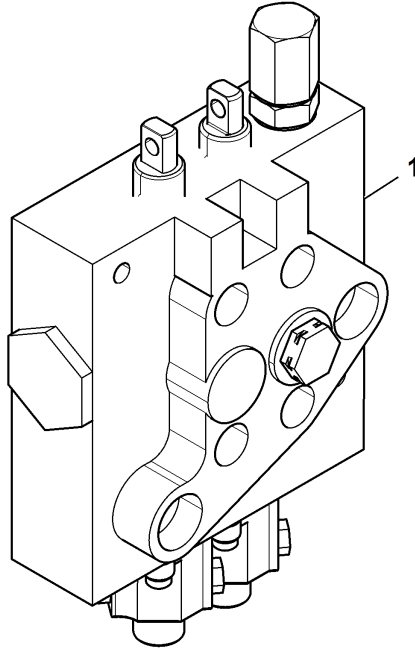
<i>Key</i>	<i>Part No.</i>	<i>Part Name</i>	<i>Qty.</i>	<i>Serial No.</i>	<i>Remarks</i>
1	AM130908	Control Valve	1		ORDER TCA20621
	TCA20621	Control Valve	1		
2	AM131354	Valve	1		Pressure Relief
3	AM129945	Float	1		Load Check Valve
4	AM129943	Float Kit	1		Float Detent Valve
5	AM129944	Detent Kit	1		3-Position Detent Valve
6	AM131351	Seal Kit	2		2 Seals Per Kit, 2 Kits Required Per Valve

---

Hydraulic Control Valve (060001 - )  
 Hydraulic Control Valve (060001 - )  
 Hydraulic Control Valve (060001 - )  
 Hydraulic Control Valve (060001 - )  
 Hydraulic Control Valve (060001 - )  
 Hydraulic Control Valve (060001 - )



PU51113 A.1



**PU51113**

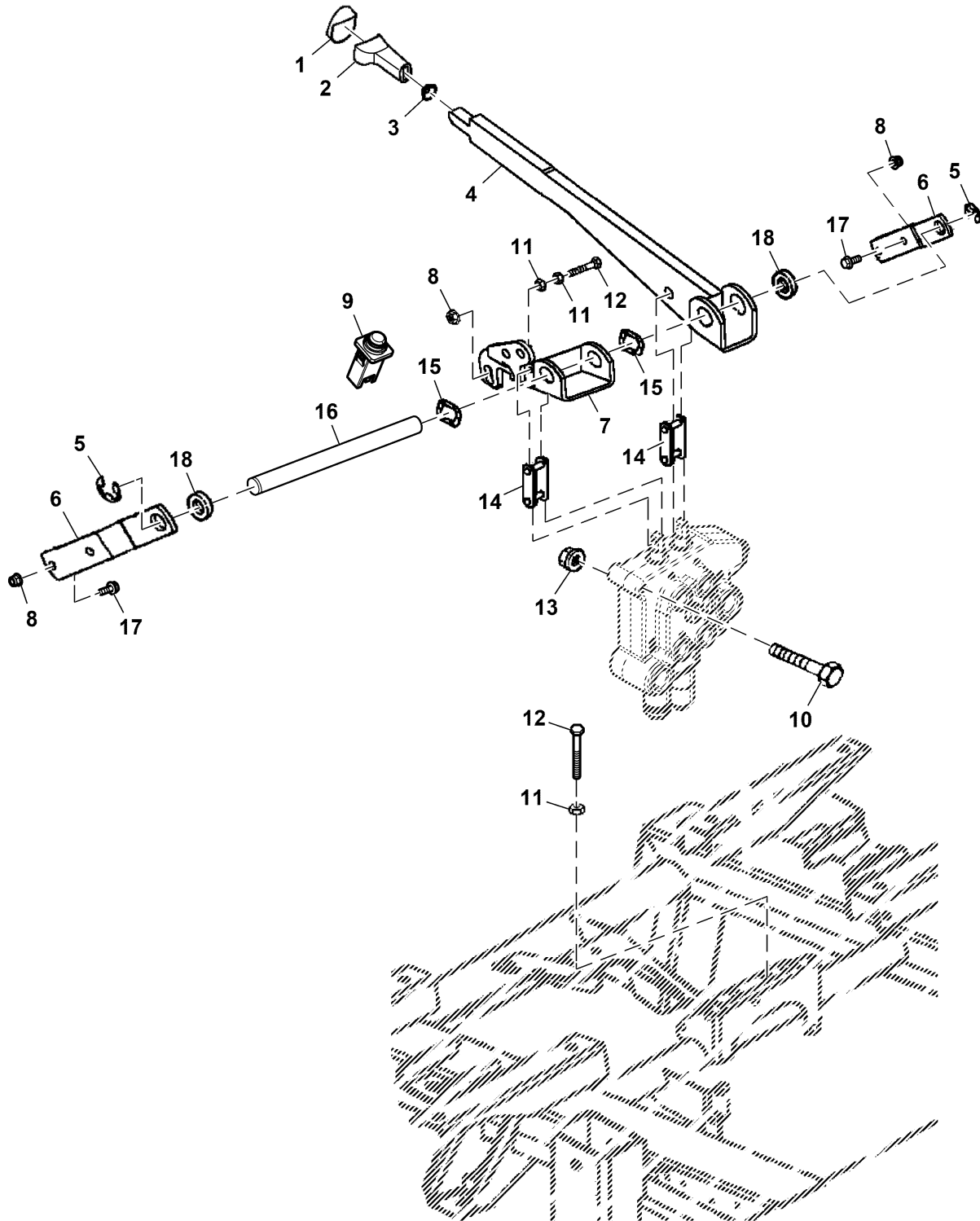
Key	Part No.	Part Name	Qty.	Serial No.	Remarks
1	TCA20621	Control Valve	1		Direct Relief
	N150466	Plunger	1		Not Illustrated
	N150467	Spring	1		Not Illustrated
	N150470	Bushing	2		Not Illustrated
	M87400	Detent	2		Not Illustrated
	M73375	Spacer	2		Not Illustrated
	M73374	Adapter Fitting	3		Not Illustrated
	AM104359	Cap	1		Not Illustrated
	H132650	Poppet	1		Not Illustrated
	H132510	O-Ring	4		Not Illustrated
	M87403	Snap Ring	2		Not Illustrated
	T24871	Shim	AR		TK = 0.381 mm, Not Illustrated
	N111502	Washer	AR		Not Illustrated
	M87514	Washer	2		Not Illustrated
	AH127682	Seal	2		Not Illustrated
	AN150266	Fitting Plug	2		Not Illustrated
	M87513	Spring	2		Not Illustrated
	H132649	Compression Spring	1		Not Illustrated
	M73376	Spring	2		Not Illustrated
	AE55486	Plug	2		Not Illustrated
	UC38222	Ball	1		Not Illustrated
	UC38223	Detent	1		Not Illustrated
	UC38224	Spring	1		Not Illustrated





Hydraulic Control Valve Lever  
Hydraulic Control Valve Lever  
Hydraulic Control Valve Lever  
Hydraulic Control Valve Lever  
Hydraulic Control Valve Lever

PU39207 A.1

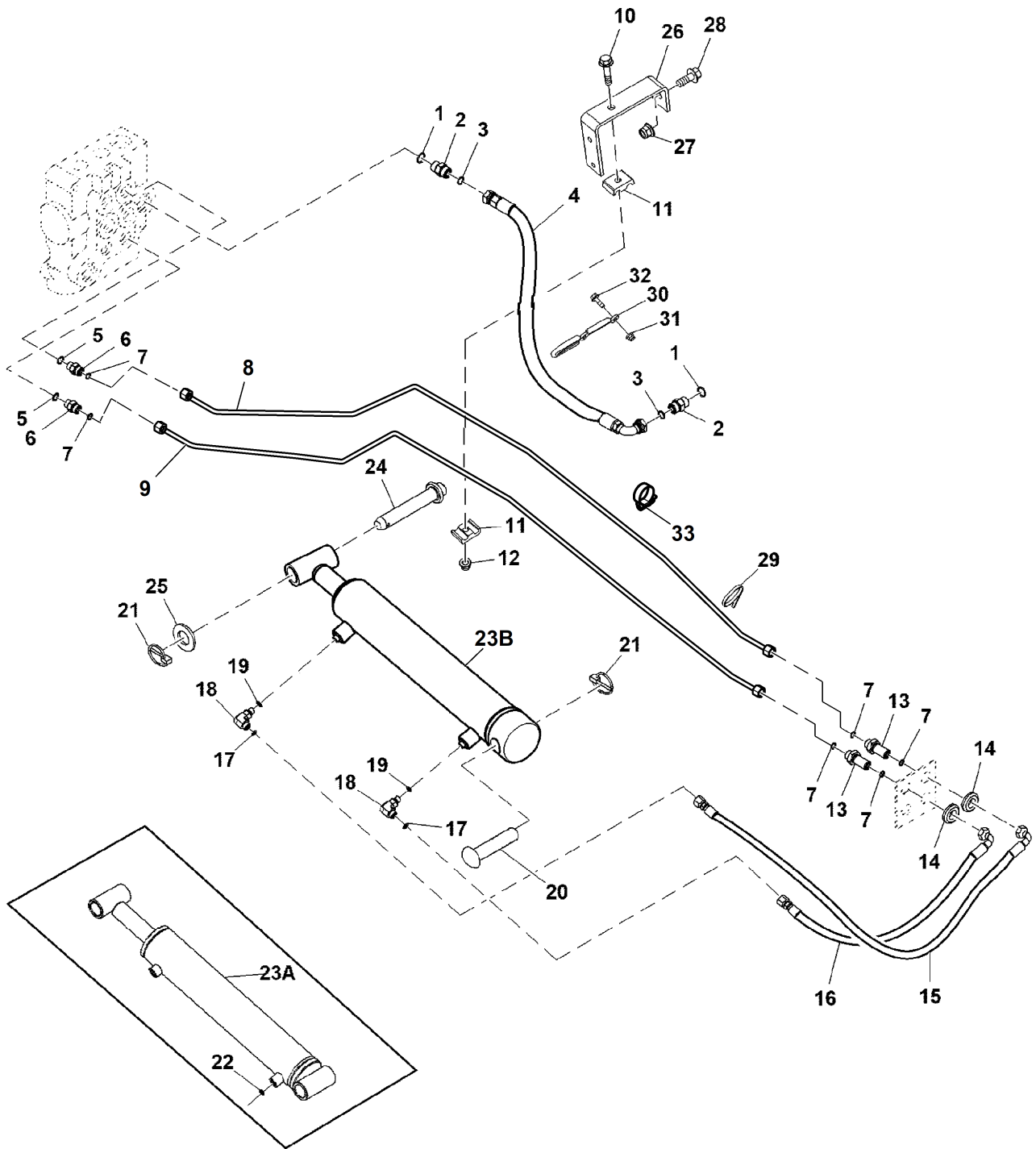


PU39207

Key	Part No.	Part Name	Qty.	Serial No.	Remarks
1	L171481	Insert	1	-060000	
	M113899	Insert	1	060001-	
2	SU47687	Knob	1		SUB FOR L77747
3	M111717	Nut	1		
4	AUC12921	Lever	1		SUB FOR AM130412, Hydraulic Lift
5	F2863R	Snap Ring	2		
6	M131015	Bracket	2		Control Pivot Support
7	AUC12922	Lever	1		SUB FOR AM130716, PTO Control
8	14M7396	Lock Nut	5		M8
9	AM129740	Switch	1		PTO
10	19M8092	Screw	2		M6 X 50
11	14M7273	Nut	3		M8
12	19M7922	Cap Screw	2		M8 X 40
13	14M7397	Lock Nut	2		M6
14	AE23791	Chain Link	2	-060000	
	AN275832	Chain Link	2	060001-	
15	M87534	Spring Washer	2		
16	M131013	Shaft	1		Control Pivot
17	19M7866	Screw	4		M8 X 20
18	24H1896	Washer	2		41/64" X 13/16" X 0.060"

Lift Cylinder and Oil Lines  
Lift Cylinder and Oil Lines  
Lift Cylinder and Oil Lines  
Lift Cylinder and Oil Lines  
Lift Cylinder and Oil Lines  
Lift Cylinder and Oil Lines

TC552767 A.1



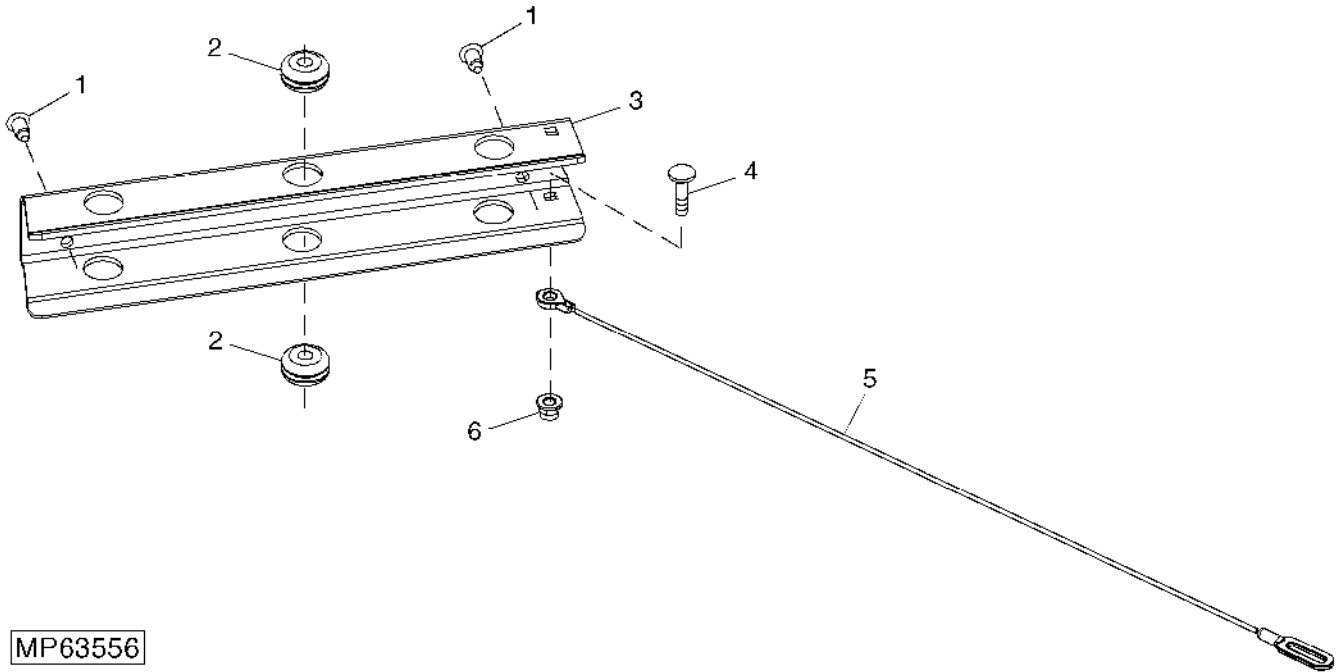
TC552767

Key	Part No.	Part Name	Qty.	Serial No.	Remarks
1	R26375	O-Ring	2		
2	38H1161	Adapter Fitting	2		
3	T77857	O-Ring	2		
4	TCA17284	Hose	1	-075000	Hydraulic Pressure, Lift Cylinder
	TCA23949	Hose	1	075001-	ORDER AUC19025, Hydraulic Pressure, Lift Cylinder
	AUC19025	Hydraulic Hose	1		
5	R26448	O-Ring	2		
6	38H1160	Adapter Fitting	2	-160000	
	38H3160	Adapter Fitting	2	160001-	
7	T77613	O-Ring	6		
8	AUC19017	Oil Line	1		SUB FOR AM130485, Lift Cylinder Raise
9	AUC19018	Oil Line	1		SUB FOR AM130486, Lift Cylinder Lower
10	19M8317	Screw	1		M8 X 40
11	H128515	Clamp	2		
12	14M7396	Lock Nut	1		M8
13	38H1285	Union Fitting	2		
14	M64081	Grommet	2		
15	AUC19020	Hydraulic Hose	1		SUB FOR AM130965, Hydraulic Lift Cylinder Lower
16	AUC19019	Hydraulic Hose	1		SUB FOR AM130964, Hydraulic Lift Cylinder Raise
17	T77814	O-Ring	2		
18	38H1003	Elbow Fitting	2	-160000	
	38H3003	Elbow Fitting	2	160001-	
19	R28782	O-Ring	2		
20	M143173	Pin Fastener	1		
21	M72598	Quick Lock Pin	2		
22	M144485	Orifice	1		USE WITH AM130779
23A	TCA23466	Hydraulic Cylinder	1		ORDER AHC15360; SUB FOR AM130779 , Lift
23B	AHC15360	Hydraulic Cylinder	1		Lift
24	M141418	Pin Fastener	1		
25	24H1451	Washer	1		1-1/32" X 1-3/4" X 0.060"
26	TCU22671	Support	1		Fuel Pump
27	14M7465	Lock Nut	1		M10
28	19M7785	Screw	1		M10 X 25
29	H77698	Tie Band	7		
30	TCU36380	Hose Support	1		
31	14M7397	Lock Nut	2		M6
32	19M7862	Screw	2		M6 X 20
33	TY22466	Clamp	2		
34	AM130780	Hydraulic Cylinder Kit	1		USE WITH AM130779, Not Illustrated

Safety Lock Bar ( - 060000)  
 Safety Lock Bar ( - 060000)  
 Safety Lock Bar ( - 060000)  
 Safety Lock Bar ( - 060000)  
 Safety Lock Bar ( - 060000)  
 Safety Lock Bar ( - 060000)



MP63556 A.1



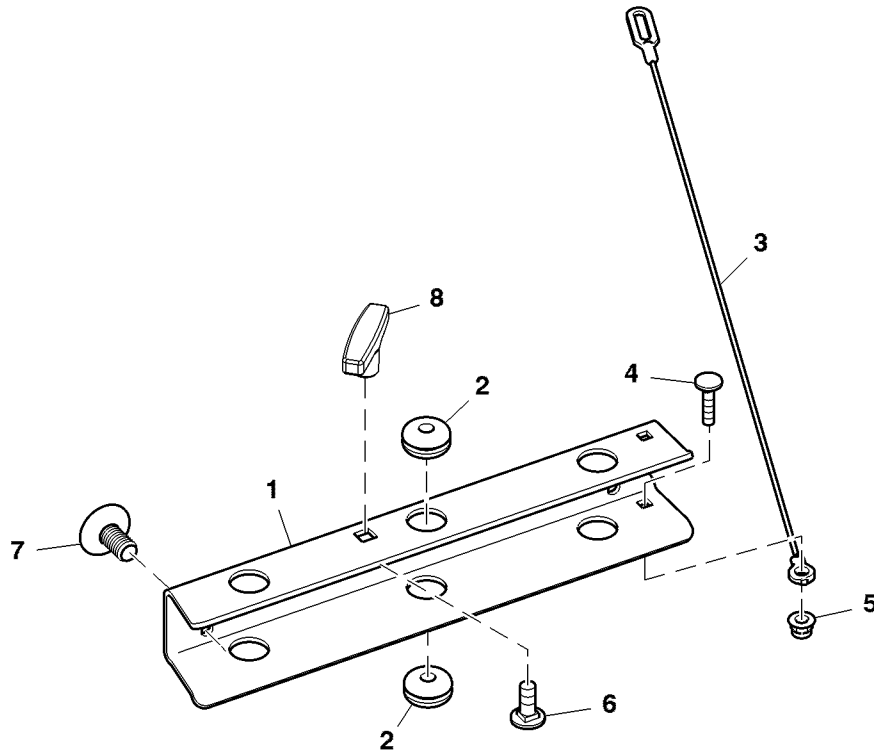
MP63556

Key	Part No.	Part Name	Qty.	Serial No.	Remarks
1	H164460	Friction Plug	2		
2	M141901	Grommet	2		
3	M141900	Support	1		ORDER TCU30846
	TCU30846	Support	1		ORDER UC27401
	UC27401	Support	1		
4	03M7232	Bolt	1		M6 X 25
5	M141906	Cable	1		Cylinder Support
6	14M7397	Lock Nut	1		M6



Safety Lock Bar (060001 - )  
 Safety Lock Bar (060001 - )  
 Safety Lock Bar (060001 - )  
 Safety Lock Bar (060001 - )  
 Safety Lock Bar (060001 - )  
 Safety Lock Bar (060001 - )

PU46476 A.1



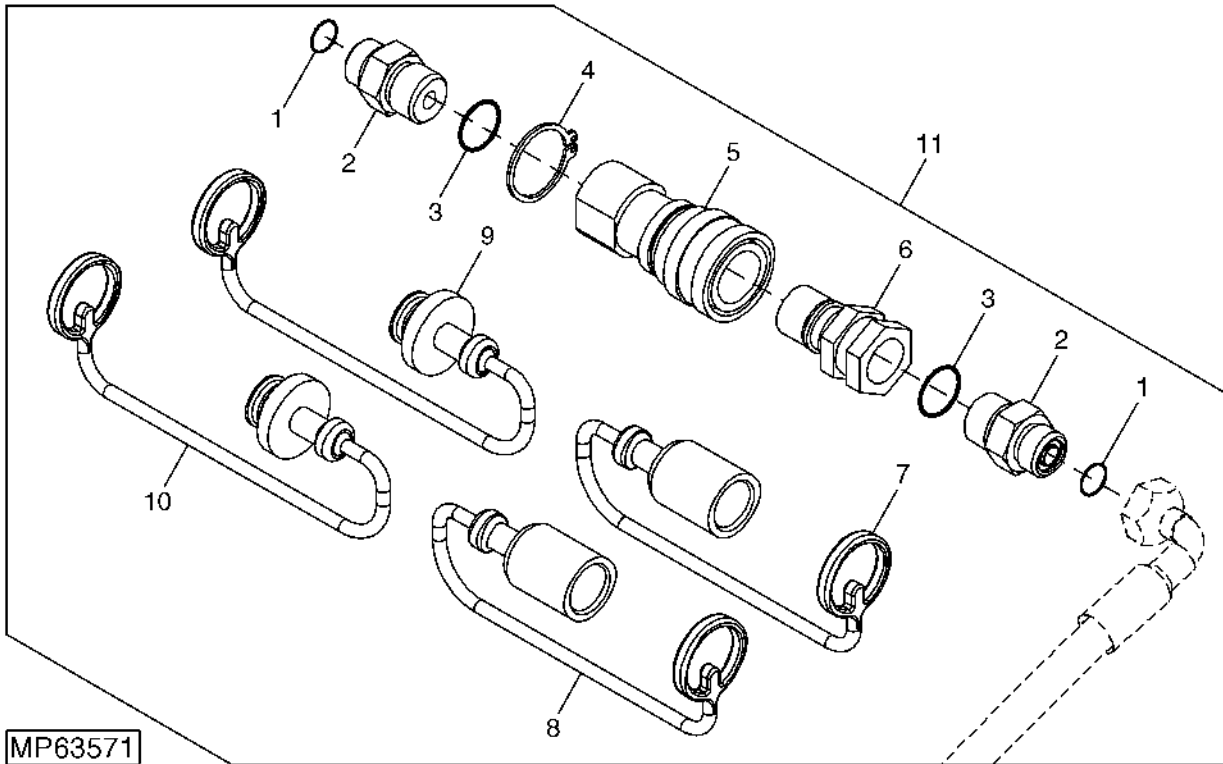
**PU46476**

Key	Part No.	Part Name	Qty.	Serial No.	Remarks
1	UC27401	Support	1		SUB FOR TCU30846, Cylinder
2	M141901	Grommet	2		
	M141901	Grommet	4	080001-	
3	M141906	Cable	1		Cylinder Support
4	03M7232	Bolt	1		M6 X 25
5	14M7397	Lock Nut	1		M6
6	03M7184	Bolt	1		M8 X 20
7	TCU19766	Plug	2		
8	TCU14210	Handle	1		

Hydraulic Quick Connect Kit  
 Hydraulic Quick Connect Kit  
 Hydraulic Quick Connect Kit  
 Hydraulic Quick Connect Kit  
 Hydraulic Quick Connect Kit  
 Hydraulic Quick Connect Kit



MP63571 A.1



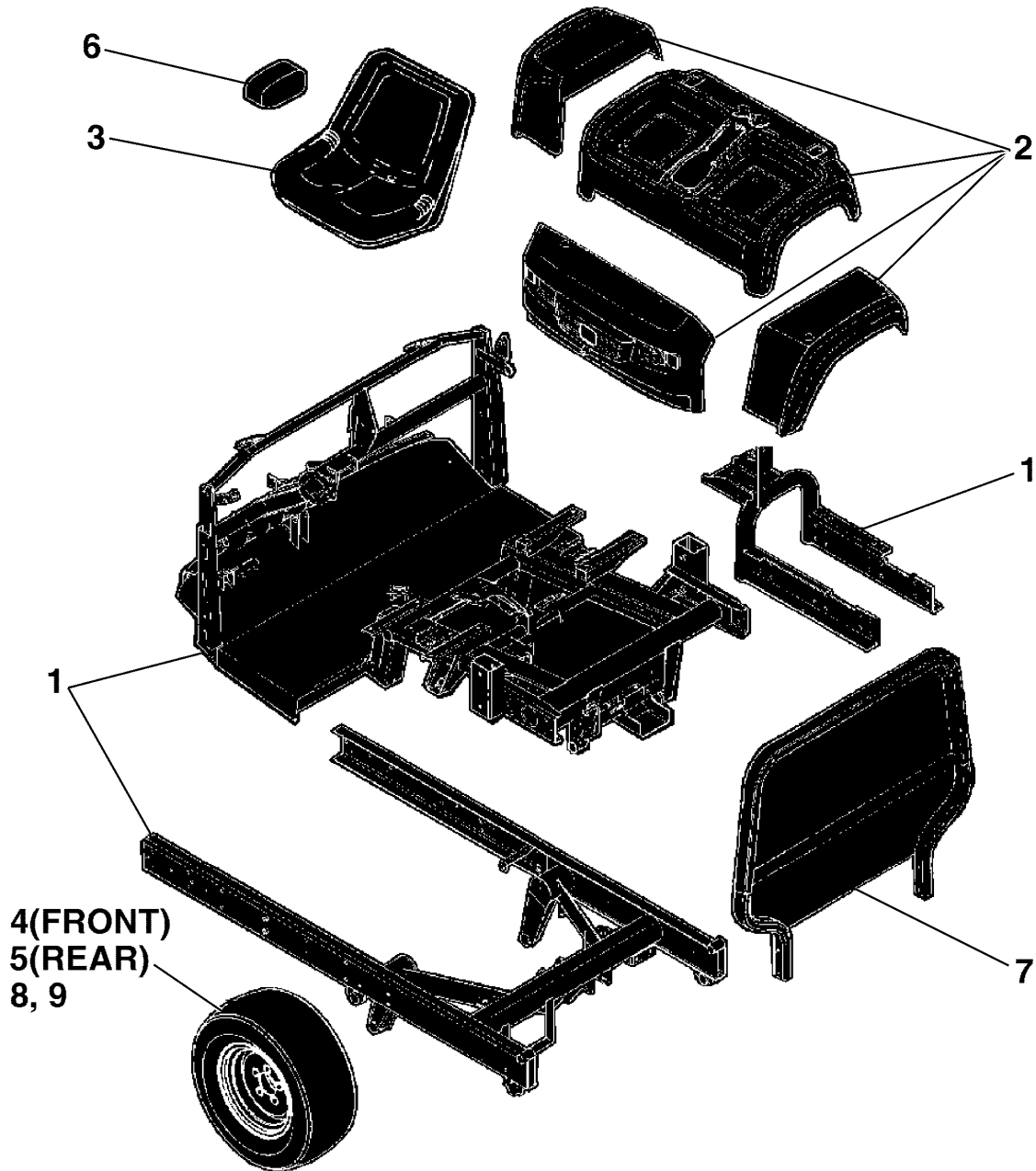
Key	Part No.	Part Name	Qty.	Serial No.	Remarks
1	T77613	O-Ring	2		
2	38H3171	Adapter Fitting	2		
3	R26375	O-Ring	2		
4	M42702	Snap Ring	1		
5	AM105466	Hyd. Quick-Connect Coupler	1		
6	AM105467	Hydr. Quick Coupler Plug	1		
7	ET15510	Cap	1		Black
8	W42991	Cap	1		Green
9	ET15511	Cap	1		Black
10	M137067	Plug	1		Green
11	<b>VGB10058</b>	<b>Kit</b>	<b>1</b>		<b>Lift Cylinder</b>



Sectional Pictorial Index  
 Index d'illustrations par sections.  
 Gruppenbildindex  
 Indice illustrato delle sezioni  
 Índice de ilustraciones por secciones  
 Avsnittsbildregister

PU28271 A.1

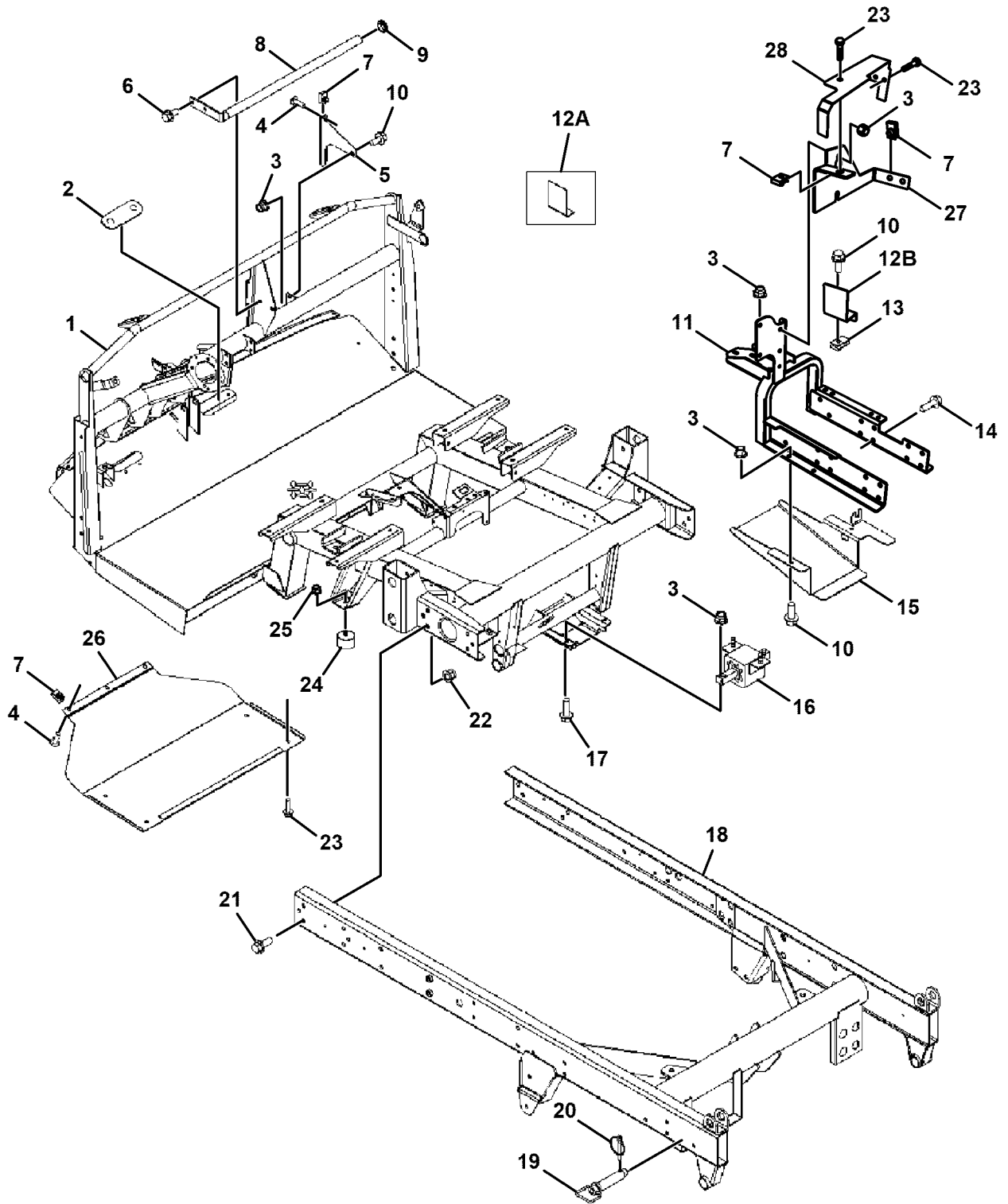
1-	254
1-	256
1-	258
2-	260
3-	262
3-	264
3-	266
4-	268
5-	276
5-	271
5-	273
6-	277
7-	278
7-	279
8-	275
9-	270
9-	272
9-	274
4-	269



PU28271

Frame (- 045000)  
Frame (- 045000)  
Frame (- 045000)  
Frame (- 045000)  
Frame (- 045000)  
Frame (- 045000)

PU46513 A.1



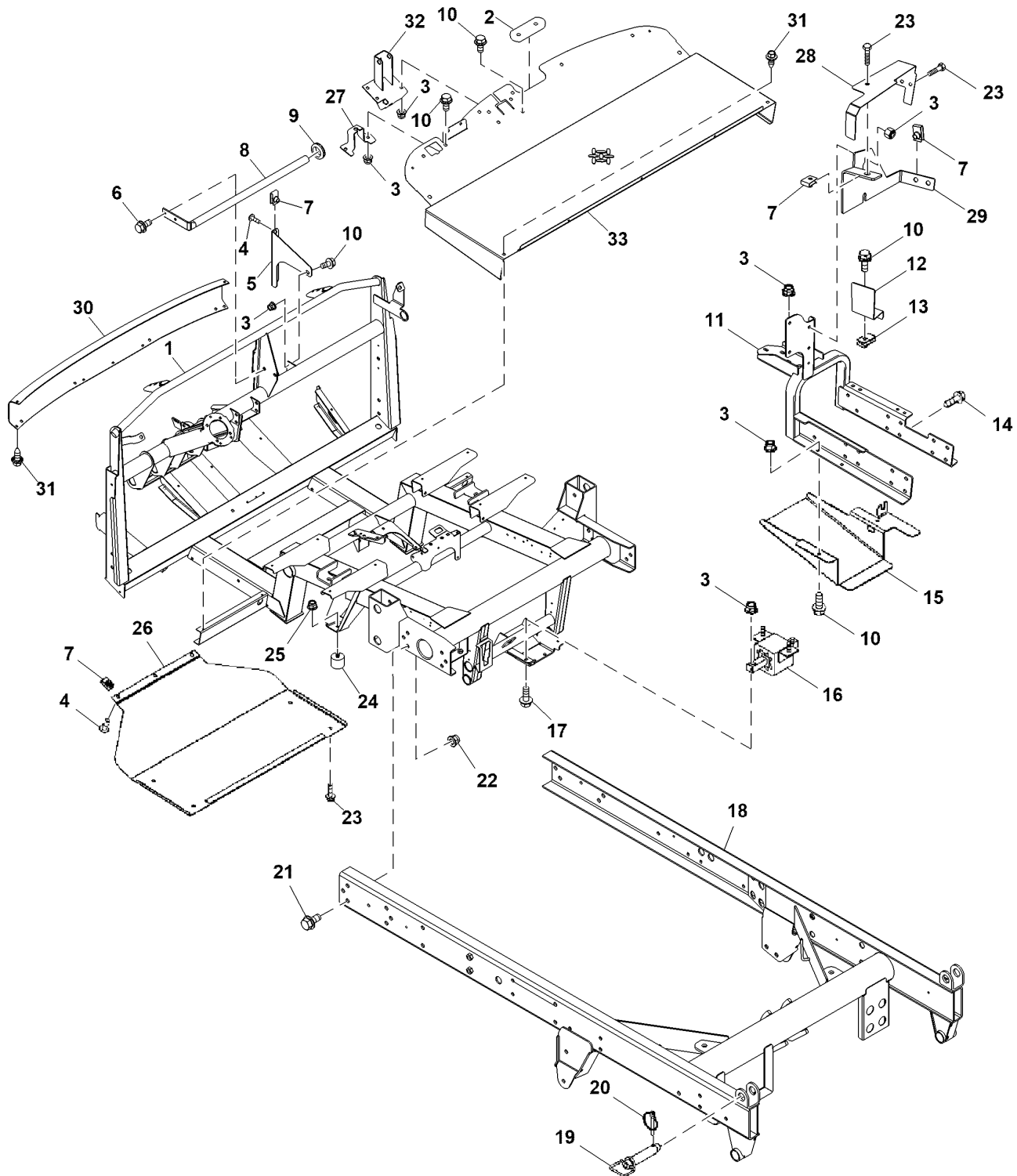
PU46513

080 Wheels, Frame and Operator Station

Key	Part No.	Part Name	Qty.	Serial No.	Remarks
1	TCA16562	Frame	1		ORDER TCA19719, TCA19999, TCA19657, TCU27203, (14) GX22456, (6) 14M7396 (6) 19M7866; Front
2	M141440	Grommet	1		
3	14M7396	Lock Nut	14		M8
4	19M8649	Screw	7		M6 X 20
5	M131010	Bracket	2		Front
6	19M7865	Screw	2		M8 X 16
7	M84972	Nut	10		
8	M143240	Tube	1		
9	M141868	Grommet	1		
10	19M7866	Screw	12		M8 X 20
11	TCA16097	Frame	1		Engine
12A	TCU23244	Bracket	1	-030000	Coupler
12B	TCU24833	Bracket	1	030001-	Coupler Guard
13	M84971	Nut	2		
14	19M7784	Screw	14		M10 X 20
15	TCU21428	Guard	1		
16	M143219	Isolator	1		Engine, Captive
17	19M8317	Screw	2		M8 X 40
18	TCA16548	Main Frame	1		ORDER AUC12918, Rear
	AUC12918	Main Frame	1		Components on Seperate Page
19	M141414	Pin	2		Accessory Pivot
20	M72598	Quick Lock Pin	2		
21	19M7789	Screw	12		M12 X 30
22	14M7401	Lock Nut	12		M12
23	19M7775	Screw	7		M6 X 16
24	M129924	Bumper	2		Upstop, Axle
25	14M7298	Flange Nut	2		M8
26	M131052	Panel	1		Skid
27	TCU22837	Support	1		Engine Belt Guard
28	TCU38665	Guard	1		SUB FOR TCU22836; Belt
29	TCA19719	Frame	1		ORDER TCA20676, TCA20714 AND (4) 19M7838, Not Illustrated
30	TCA19999	Panel	1		Not Illustrated, Floor
31	TCA19657	Support	1		Not Illustrated, Accelerator
32	TCU27203	Bracket	1		Not Illustrated, Clutch Cable
33	GX22456	Screw	14		Not Illustrated

Frame (045001 - 050000)  
Frame (045001 - 050000)  
Frame (045001 - 050000)  
Frame (045001 - 050000)  
Frame (045001 - 050000)  
Frame (045001 - 050000)

PU46514 A.1

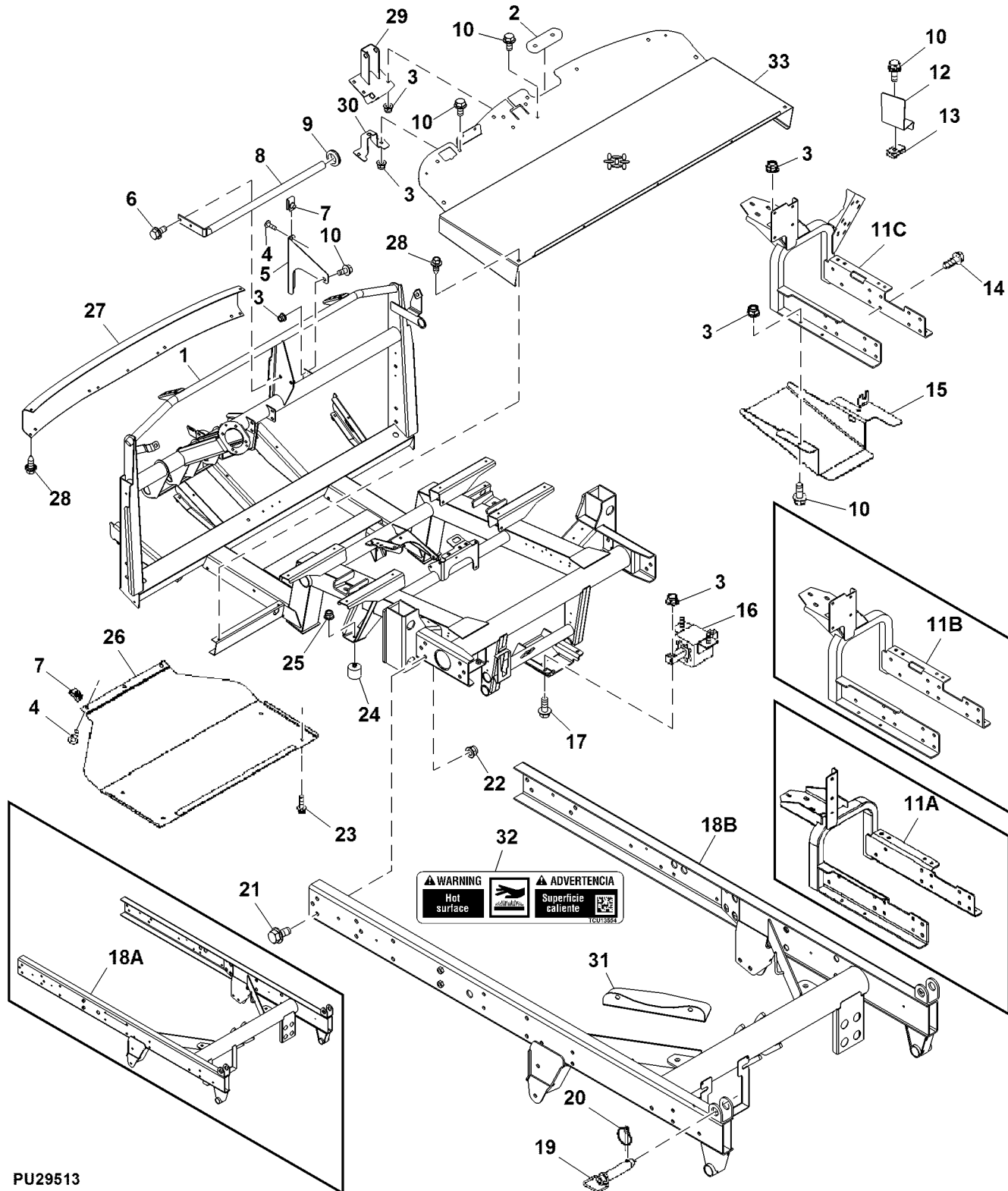


PU46514

Key	Part No.	Part Name	Qty.	Serial No.	Remarks
1	TCA19719	Frame	1		ORDER TCA20676, TCA20714 AND (4) 19M7838; INCLUDES TCA20000 AND (4) GX22456, Front SUB FOR TCA21212 OR TCA20676, Components on Separate Page
	AUC12917	Frame	1		
2	M141440	Grommet	1		
3	14M7396	Lock Nut	14		M8
4	19M8649	Screw	7		M6 X 20
5	M131010	Bracket	2		Front
6	19M7865	Screw	2		M8 X 16
7	M84972	Nut	10		
8	M143240	Tube	1		
9	M141868	Grommet	1		
10	19M7866	Screw	12		M8 X 20
11	TCA16097	Frame	1		Engine
12	TCU24833	Bracket	1		Coupler Guard
13	M84971	Nut	2		
14	19M7784	Screw	14		M10 X 20
15	TCU21428	Guard	1		
16	M143219	Isolator	1		Engine, Captive
17	19M8317	Screw	2		M8 X 40
18	TCA16548	Main Frame	1		ORDER AUC12918, Rear Components on Separate Page
	AUC12918	Main Frame	1		
19	M141414	Pin	2		Accessory Pivot
20	M72598	Quick Lock Pin	2		
21	19M7789	Screw	12		M12 X 30
22	14M7401	Lock Nut	12		M12
23	19M7775	Screw	7		M6 X 16
24	M129924	Bumper	2		Upstop, Axle
25	14M7298	Flange Nut	2		M8
26	M131052	Panel	1		Skid
27	TCU27203	Bracket	1		Clutch Cable
28	TCU38665	Guard	1		SUB FOR TCU22836; Belt
29	TCU38666	Support	1		SUB FOR TCU22837
30	TCA20000	Bumper	1		
31	GX22456	Screw	14		SUB FOR GX20234
32	TCA19657	Support	1		Accelerator
33	TCA19999	Panel	1		Floor
34	TCA21230	ROPS	1		SUB FOR TCA20714, Not Illustrated
35	19M7838	Screw	4		M12 X 130, Not Illustrated

Frame (050001 -)  
 Frame (050001 -)  
 Frame (050001 -)  
 Frame (050001 -)  
 Frame (050001 -)  
 Frame (050001 -)

PU29513 A.1



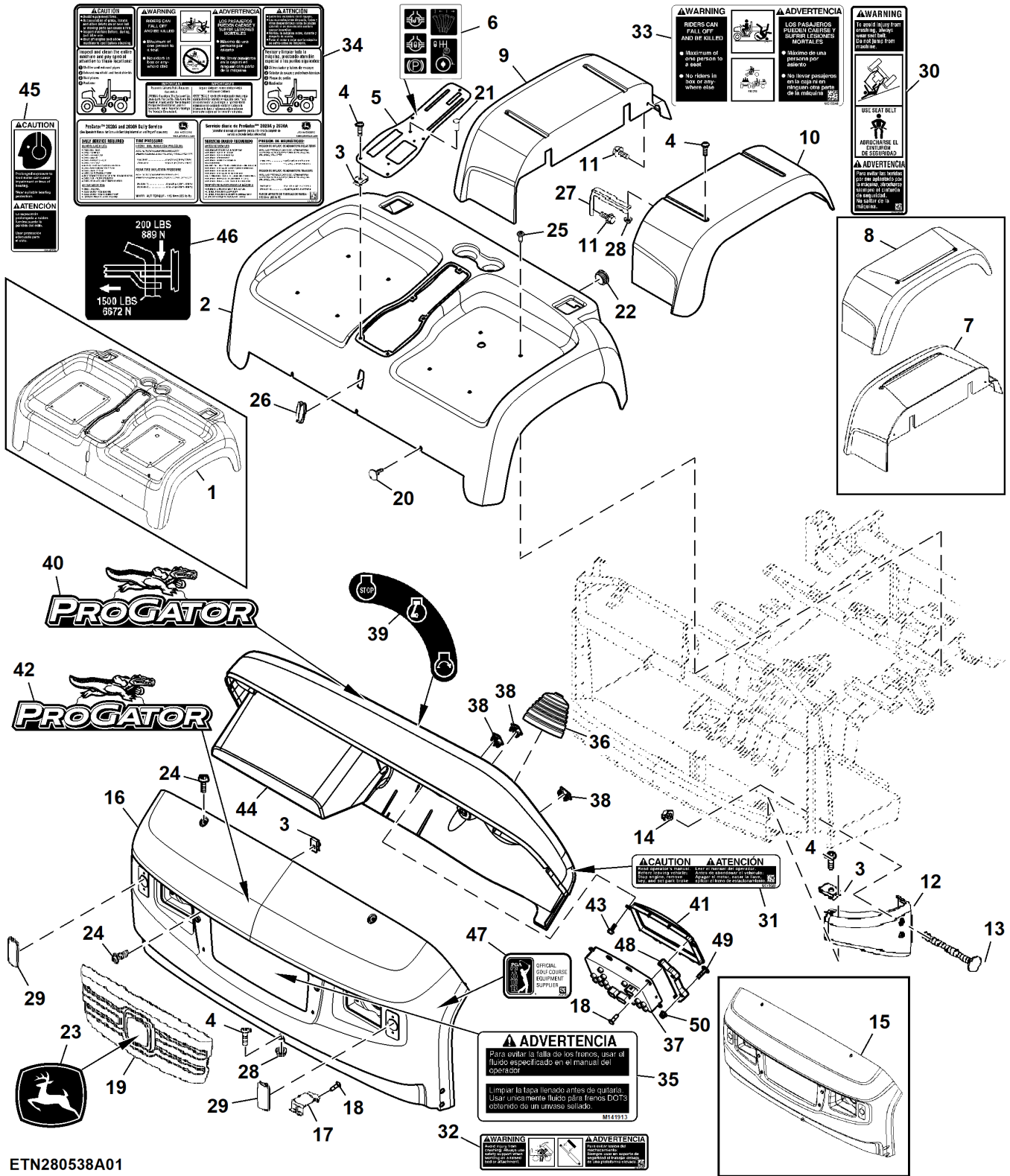
PU29513

080 Wheels, Frame and Operator Station

Key	Part No.	Part Name	Qty.	Serial No.	Remarks
1	AUC12917	Frame	1		INCLUDES TCA20000, TCA19999 AND (10) GX22456, SUB FOR TCA24710, TCA21212, TCA20038 OR TCA20676, Front
2	UC17370	Grommet	1		SUB FOR M141440
3	14M7396	Lock Nut	8		M8
4	19M8649	Screw	4		M6 X 20
5	M131010	Bracket	2		Front
6	19M7865	Screw	4		M8 X 16
7	M84972	Nut	3		
8	M143240	Tube	1		
9	M141868	Grommet	1		
10	19M7866	Screw	10		M8 X 20
11A	TCA16097	Frame	1	-060000	Engine
11B	TCA20375	Frame	1	060001-080000	Engine
11C	TCA23695	Frame	1	080001-	Engine
12	TCU24833	Bracket	1		Coupler Guard
13	M84971	Nut	2		
14	19M7784	Screw	16		M10 X 20
15	TCU21428	Skid Plate	1		
16	M143219	Isolator	1		Engine Captive
17	19M8317	Screw	2		M8 X 40
18A	TCA16548	Main Frame	1		ORDER AUC12918, Rear
18B	AUC12918	Main Frame	1		SUB FOR TCA20351, Rear
19	M141414	Pin	2		
20	M72598	Quick Lock Pin	2		
21	19M7789	Screw	12		M12 X 30
22	14M7401	Lock Nut	16		M12
23	19M7775	Screw	7		M6 X 16
24	M129924	Bumper	2		Upstop
25	14M7298	Flange Nut	2		M8
26	M131052	Panel	1		Skid
27	TCA20000	Bumper	1		
28	GX22456	Screw	10		SUB FOR GX20234
29	TCA19657	Support	1		
30	TCU27203	Bracket	1		Clutch Cable
31	TCU30554	Bracket	1	060001-	
32	TCU13554	Label	1		Warning Hot Surfaces, English / Spanish
33	TCA19999	Panel	1		Floor

Fenders and Panels  
 Fenders and Panels  
 Fenders and Panels  
 Fenders and Panels  
 Fenders and Panels

ETN280538A01 A.1



ETN280538A01

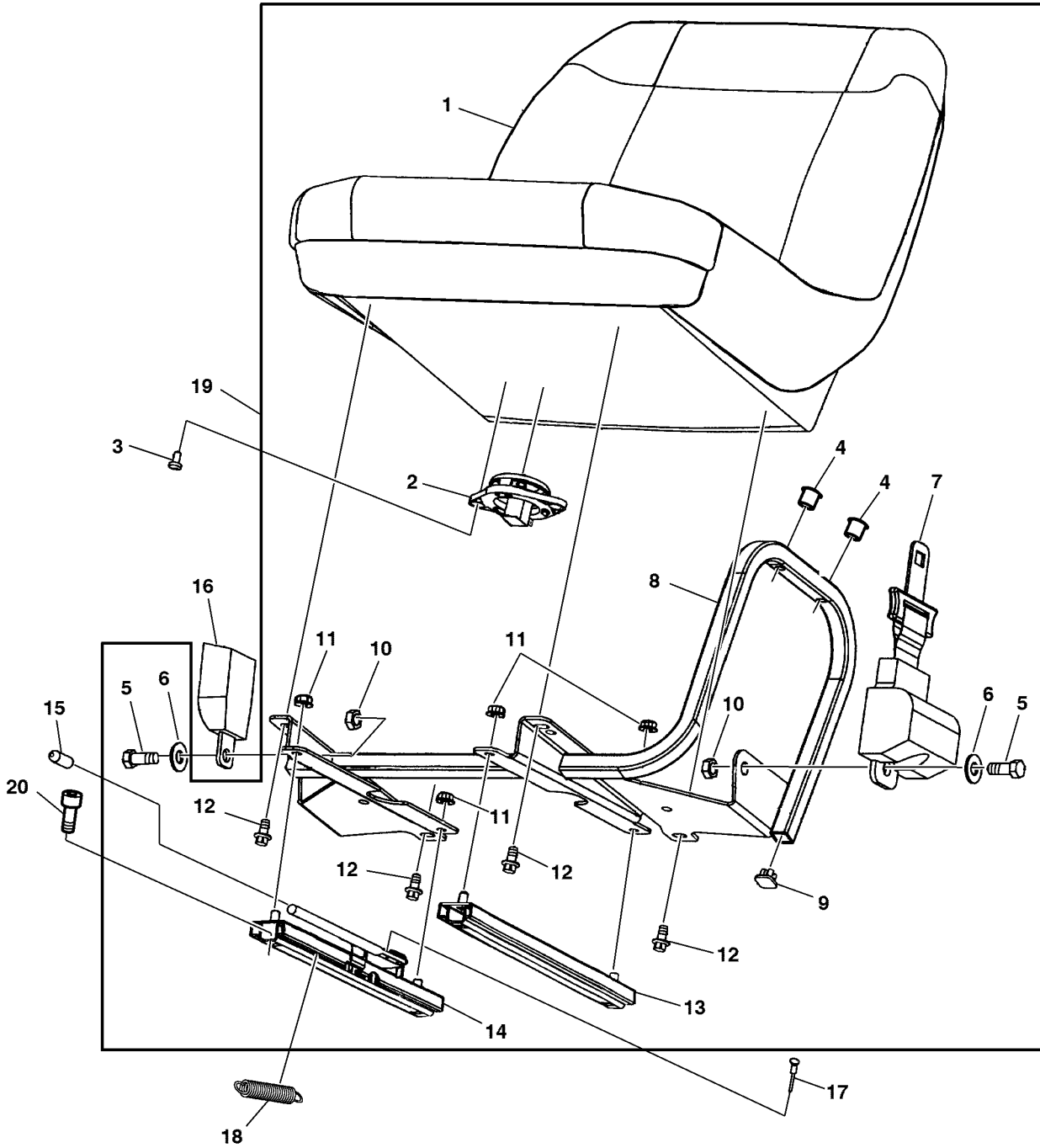


080 Wheels, Frame and Operator Station

Key	Part No.	Part Name	Qty.	Serial No.	Remarks
1	TCU21540	Base	1		ORDER TCU29828 AND M132984, Seat, W/ Front Fenders
	TCU29828	Base	1		ORDER TCU30473, M132984 AND (2) TCU30523, Seat Surround, W/ 4WD Cutout
	TCU30473	Base	1		ORDER TCU39753; Seat Surround, W/ 4WD Cutout
2	UC12620	Base	1		SUB FOR TCU39753, Seat
3	M84972	Nut	15		
4	19M8649	Screw	11		M6 X 20
5	VG10855	Panel	1		Control Panel
6	M144925	Label	1		Control Plate
7	M130224	Fender	1		ORDER TCU39751; Rear, RH
8	M130225	Fender	1		ORDER TCU39752; Rear, LH
9	UC12621	Fender	1		SUB FOR TCU39751, Rear, RH
10	UC12622	Fender	1		SUB FOR TCU39752, Rear, LH
11	19M7866	Screw	2		M8 X 20
12	M130221	Cap	1		LH
	M130220	Cap	1		RH
13	03M7169	Bolt	4		M8 X 90
14	14M7396	Lock Nut	4		M8
15	M133719	Panel	1		ORDER TCA26174; Front Face
16	AUC11415	Panel	1		SUB FOR TCA26174 OR AUC10979
17	M140512	Clip	4		
18	37M7222	Screw	12		
19	TCA17184	Panel	1		INCLUDES JD5784
20	TCU19766	Plug	3		
21	GX10175	Plug	1		
22	TCU30523	Plug	2		
23	JD5784	Label	1		
24	M163626	Screw	6		
25	M177102	Screw	8		SUB FOR TCU37712
26	M132984	Boot	1		
27	M129891	Bracket	4		
28	14M7397	Lock Nut	6		M6
29	M134778	Reflector	2		Amber
30	UC15019	Label	1	100001-	Warning, English / Spanish
31	UC15020	Label	1	100001-	Caution
32	UC15021	Label	2	100001-	Warning
33	UC15248	Label	1	100001-	Warning, English / Spanish, Riders
34	UC15022	Label	1	100001-	Combination
35	M141913	Label	1		Warning, Spanish
36	M140455	Boot	1		
37	TCA19583	Instrument Cluster	1		
38	M115279	Plug	3		
39	M141504	Label	1		Ignition
40	TCU29977	Label	1		Progator, Small
41	M130223	Cover	1		Gauge
42	TCU29976	Label	1		Progator, Large
43	TCU33409	Screw	4		
44	M144128	Panel	1		ORDER AUC22243, Dash W/ Glove Box
	AUC22243	Panel	1		
45	TCU27738	Label	1		Caution, Hearing Protection, English / Spanish
46	M141874	Label	1		Drawbar Load
47	UC27387	Label	1		
48	UC37924	Panel	2		
49	T372848	Screw	4		
50	14M7397	Lock Nut	4		M6

Seat  
Seat  
Seat  
Seat  
Seat  
Seat

PU10435 A.1



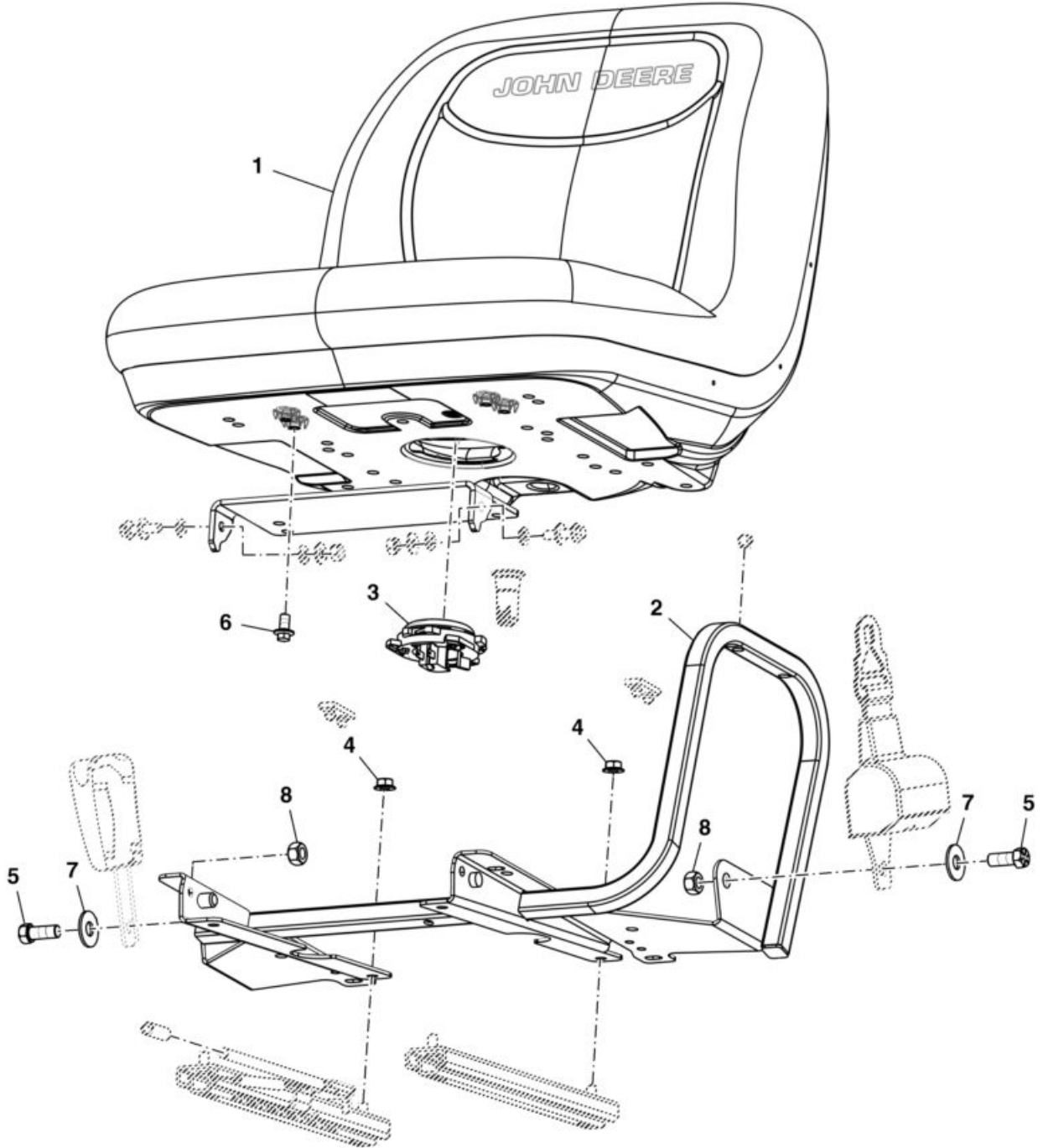
PU10435

080 Wheels, Frame and Operator Station

Key	Part No.	Part Name	Qty.	Serial No.	Remarks
1	TCA21044	Seat	1	-075000	SUB FOR TCA17404 OR AM128146
2	AET10449	Switch	1		USE WITH AM128146; Driver Side Only, LH
	AM125824	Switch	1		USE WITH TCA17404 OR TCA21044; Driver Side Only, LH
3	37M7109	Screw	2		Driver Side Only, LH
4	R126833	Plug	2		(C)
5	19H1822	Screw	2		(A)
6	24H1328	Washer	2		(A)
7	.....	Seat Belt Tightener	1		(A)
8	AM129979	Bracket	1		ORDER TCA24322; INCLUDES PARTS MARKED (C); Hip Restraint, LH
	TCA24322	Bracket	1		
	AM129980	Bracket	1		ORDER TCA24324; INCLUDES PARTS MARKED (C); Hip Restraint, RH
	TCA24324	Bracket	1		
9	.....	Plug	1		(C)
10	K40006	Lock Nut	2		(A)
11	14M7396	Nut	4		(B)
12	19M7865	Screw	4		M8 X 16
13	.....	Adjuster	1		(B); ORDER AM129977
14	.....	Adjuster	1		(B); ORDER AM129977; W/ Latch and Handle
15	R126831	Cover	1		(B)
16	.....	Receptacle	1		(A); Seat Belt
17	M63200	Rivet	2		(B)
18	M76442	Extension Spring	1		(B)
19	TCA21043	Seat	1		ORDER TCA24325; SUB FOR AM125992 OR TCA17400; LH Driver Side, LH
	TCA21042	Seat	1		ORDER TCA24326; SUB FOR AM125991 OR TCA17399; RH Passenger Side, RH
	TCA24325	Seat	1		ORDER AUC17933
	TCA24326	Seat	1		ORDER AUC17934
	AUC17933	Seat	1		Driver Side, Components on separate page
	AUC17934	Seat	1		Passenger Side, Components on separate page
20	M141748	Screw	8	-045000	
	GX20234	Screw	8	045001-	ORDER GX22456
	GX22456	Screw	8	-080000	
	M177102	Screw	8	080001-	SUB FOR TCU37712
21	AM129982	Kit	1		Not Illustrated, INCLUDES PARTS MARKED (A); Seat Belt
	AM129977	Kit	1		Not Illustrated, INCLUDES PARTS MARKED (B); Seat Adjuster

- Flip Seat W/ Switch (080001 - )
- Flip Seat W/ Switch (080001 - )
- Flip Seat W/ Switch (080001 - )
- Flip Seat W/ Switch (080001 - )
- Flip Seat W/ Switch (080001 - )
- Flip Seat W/ Switch (080001 - )

PU11720 A.1



PU11720

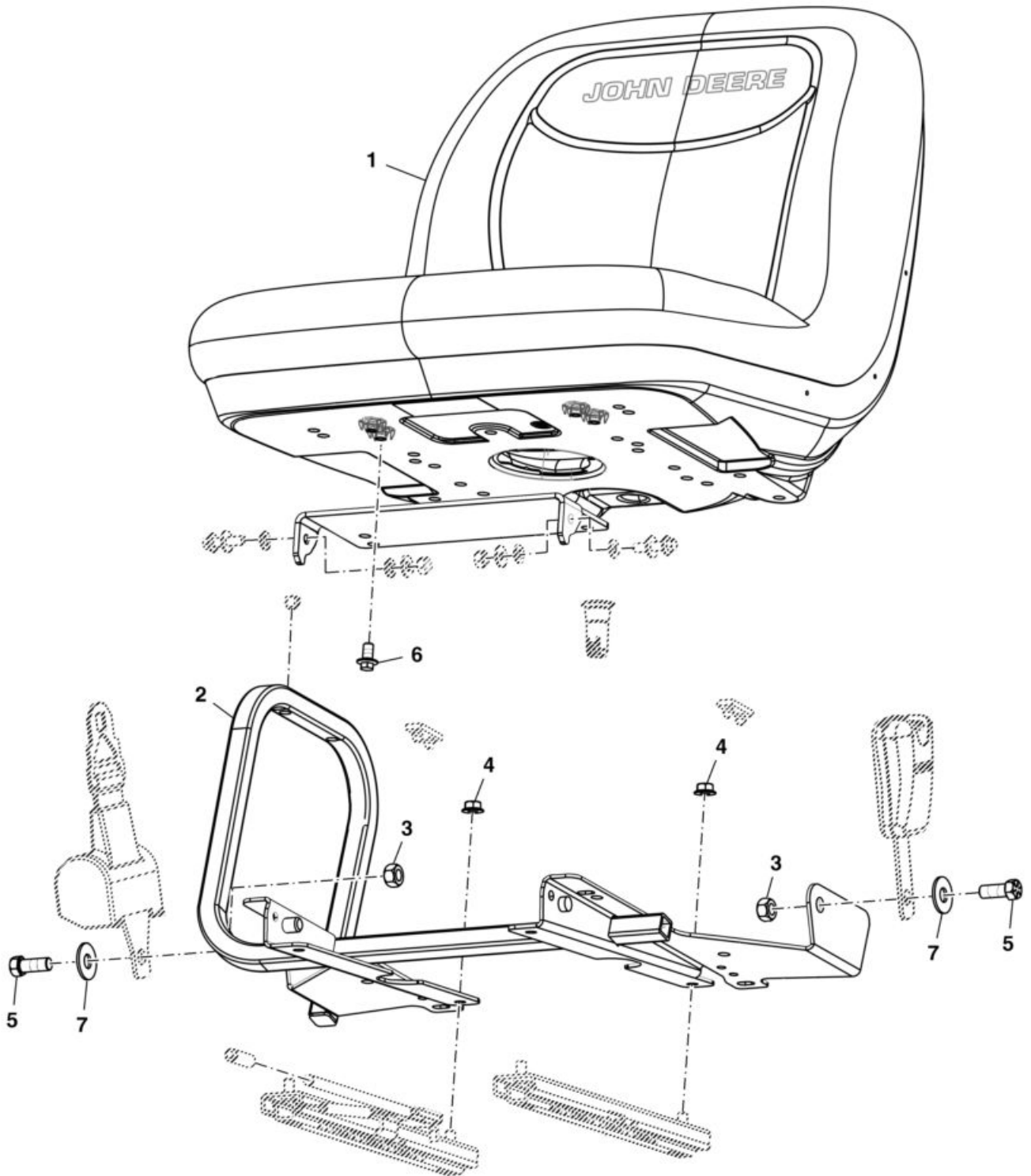
---

Key	Part No.	Part Name	Qty.	Serial No.	Remarks
1	TCA24320	Seat Assembly	1		
2	TCA24321	Bracket	1		Driver, LH
3	AM125824	Switch	1		Seat Cushion
4	14M7396	Lock Nut	4		M8
5	19H1822	Cap Screw	2		7/16" X 1"
6	19M7865	Screw	4		M8 X 16
7	24H1328	Washer	2		15/32" X 1-1/4" X 0.148"
8	K40006	Lock Nut	2		
9	AM129982	Seat Belt	1		Not Illustrated

---

- Flip Seat (080001 -)
- Flip Seat (080001 -)
- Flip Seat (080001 -)
- Flip Seat (080001 -)
- Flip Seat (080001 -)
- Flip Seat (080001 -)

PU11721 A.1

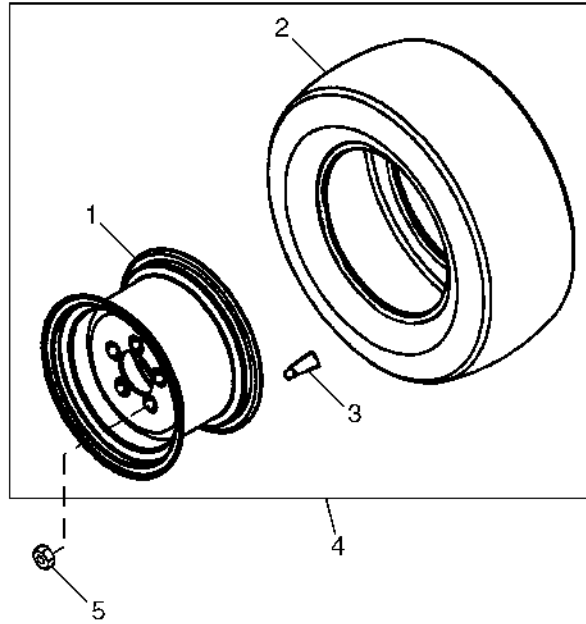


PU11721

Key	Part No.	Part Name	Qty.	Serial No.	Remarks
1	TCA24320	Seat Assembly	1		
2	TCA24323	Bracket	1		Passenger, RH
3	K40006	Lock Nut	2		
4	14M7396	Lock Nut	4		M8
5	19H1822	Cap Screw	2		7/16" X 1"
6	19M7865	Screw	4		M8 X 16
7	24H1328	Washer	2		15/32" X 1-1/4" X 0.148"
8	AM129982	Seat Belt	1		Not Illustrated

Front Wheels And Tires  
 Front Wheels And Tires  
 Front Wheels And Tires  
 Front Wheels And Tires  
 Front Wheels And Tires  
 Front Wheels And Tires

MP63542 A.1



MP63542

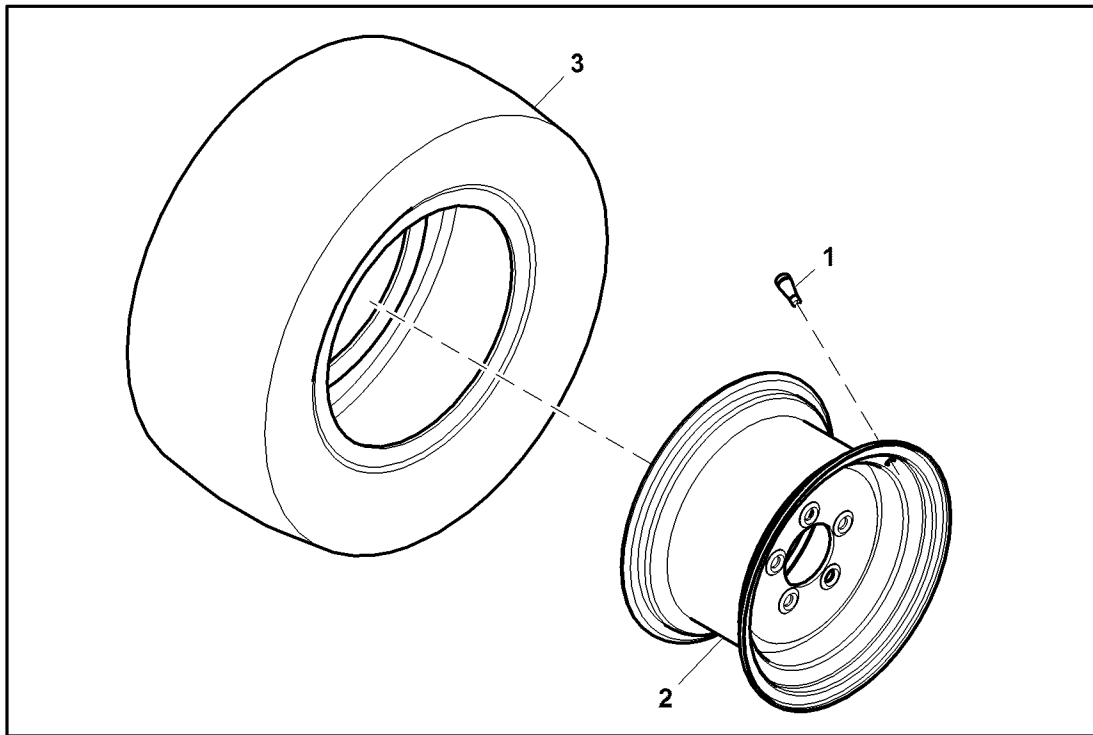
Key	Part No.	Part Name	Qty.	Serial No.	Remarks
1	M129989	Wheel	1		12 X 7.0
2	M129988	Tire	1		23 X 10.5-12
3	AM30795	Tire Valve Stem	1		
4	AM124313	Tire And Wheel Assembly	2		ORDER AM30795, M129988 AND M129989
5	M140439	Nut	10		



Wide Smooth Front Tires Kit  
 Wide Smooth Front Tires Kit  
 Wide Smooth Front Tires Kit  
 Wide Smooth Front Tires Kit  
 Wide Smooth Front Tires Kit  
 Wide Smooth Front Tires Kit



PU29019 A.1



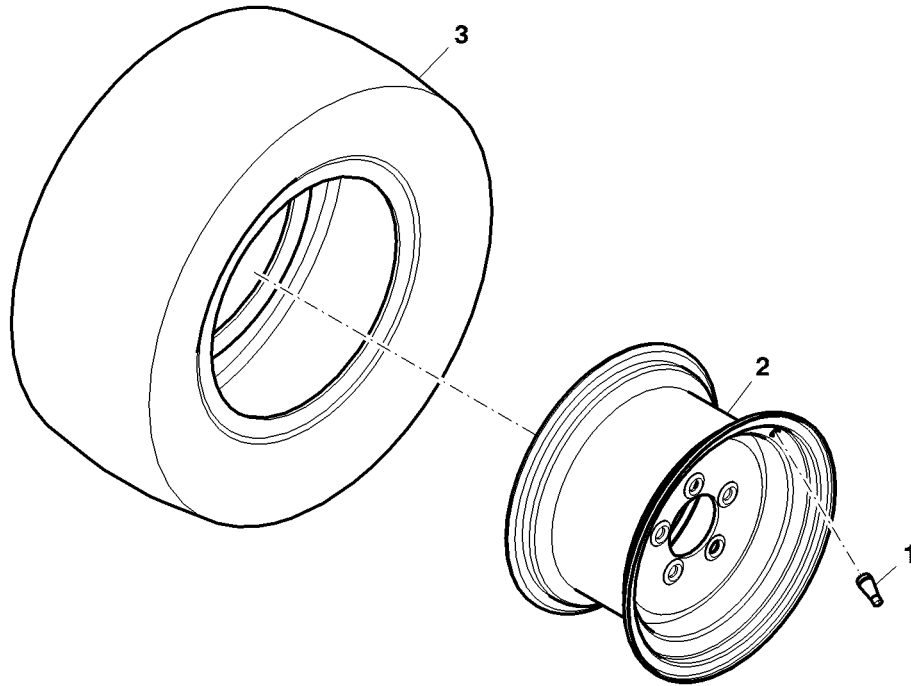
PU29019

Key	Part No.	Part Name	Qty.	Serial No.	Remarks
1	AM30795	Tire Valve Stem	2		
2	TCA21289	Wheel	2		12 X 7
3	TCU30301	Tire	2		22 X 9.5-12
4	BTC10095	Tire Kit	1		

Wide Smooth Front Tires Kit  
 Wide Smooth Front Tires Kit  
 Wide Smooth Front Tires Kit  
 Wide Smooth Front Tires Kit  
 Wide Smooth Front Tires Kit  
 Wide Smooth Front Tires Kit



PU11494 A.1



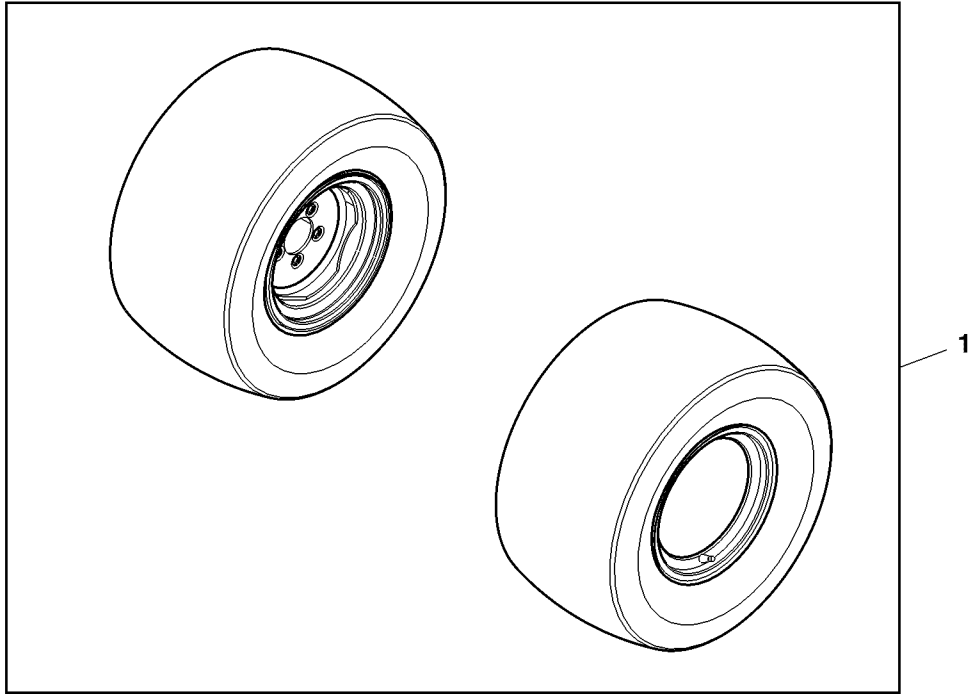
**PU11494**

Key	Part No.	Part Name	Qty.	Serial No.	Remarks
1	AM30795	Tire Valve Stem	2		
2	TCA21289	Wheel	2	12X7	
3	TCU30301	Tire	2	22X9.5-12	

Attachment, Wide Smooth Rear Tires  
 Attachment, Wide Smooth Rear Tires  
 Attachment, Wide Smooth Rear Tires  
 Attachment, Wide Smooth Rear Tires  
 Attachment, Wide Smooth Rear Tires  
 Attachment, Wide Smooth Rear Tires



BTC10096 B.1



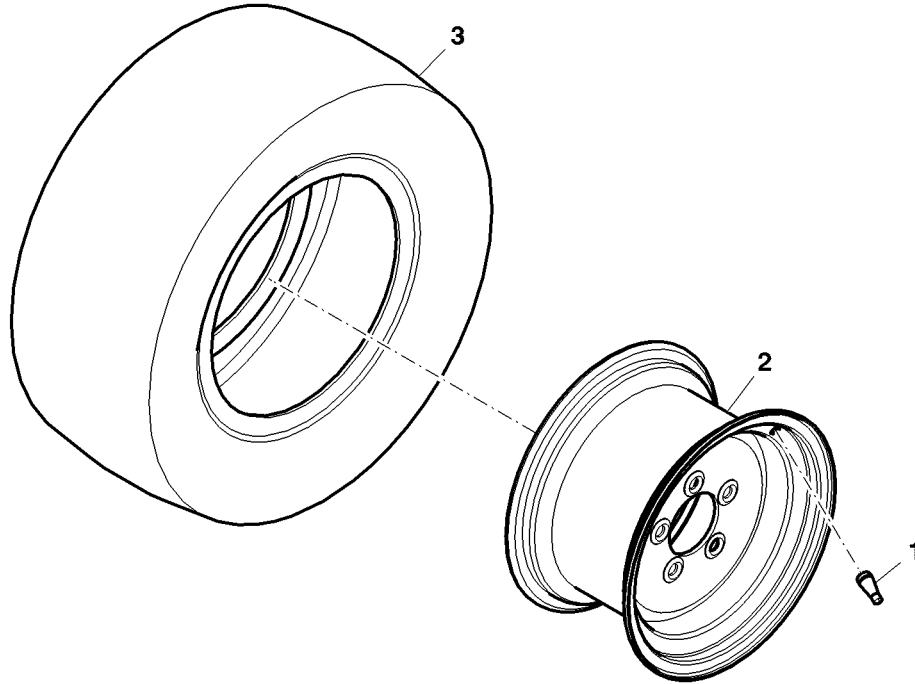
BTC10096

Key	Part No.	Part Name	Qty.	Serial No.	Remarks
1	BTC10096	Tire Kit	1		

Wide Smooth Rear Tires Kit  
 Wide Smooth Rear Tires Kit  
 Wide Smooth Rear Tires Kit  
 Wide Smooth Rear Tires Kit  
 Wide Smooth Rear Tires Kit  
 Wide Smooth Rear Tires Kit



PU11496 A.1



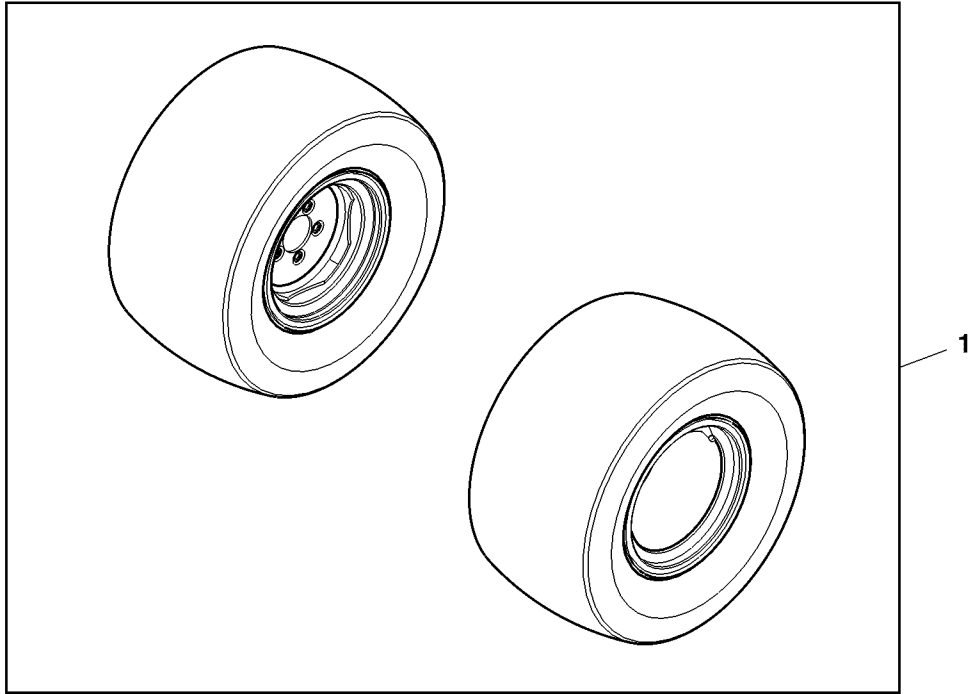
**PU11496**

Key	Part No.	Part Name	Qty.	Serial No.	Remarks
1	AM30795	Tire Valve Stem	2		
2	TCA21290	Wheel	2	12X10.5	
3	TCU30302	Tire	2	26X14-12	

Attachment, Wide Fairway Rear Tires  
 Attachment, Wide Fairway Rear Tires  
 Attachment, Wide Fairway Rear Tires  
 Attachment, Wide Fairway Rear Tires  
 Attachment, Wide Fairway Rear Tires  
 Attachment, Wide Fairway Rear Tires



BTC10097 B.1



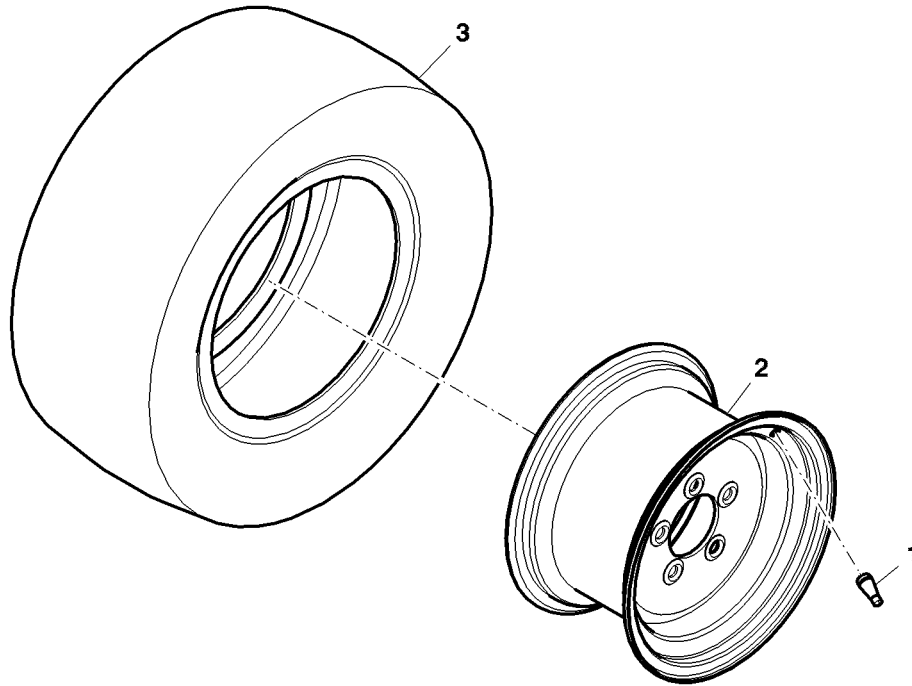
BTC10097

Key	Part No.	Part Name	Qty.	Serial No.	Remarks
1	BTC10097	Tire Kit	1		

Wide Fairway Rear Tires Kit  
 Wide Fairway Rear Tires Kit  
 Wide Fairway Rear Tires Kit  
 Wide Fairway Rear Tires Kit  
 Wide Fairway Rear Tires Kit  
 Wide Fairway Rear Tires Kit



PU11502 A.1

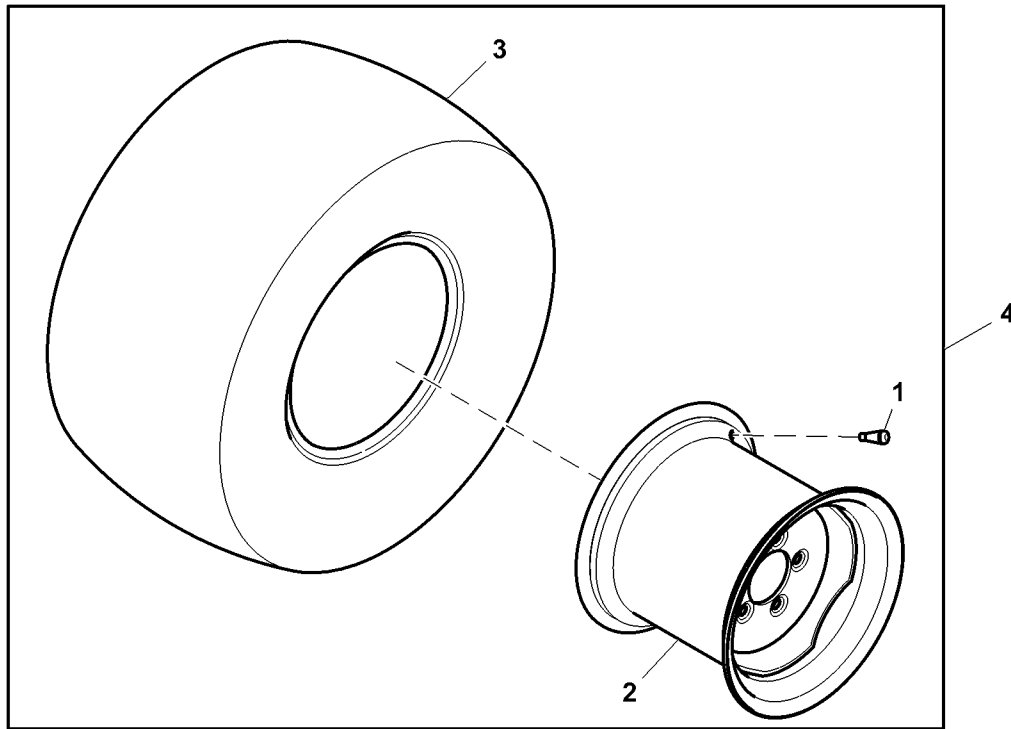


**PU11502**

Key	Part No.	Part Name	Qty.	Serial No.	Remarks
1	AM30795	Tire Valve Stem	2		
2	TCA21290	Wheel	2	12X10.5	
3	TCU30472	Tire	2	26X14-12	

Rear Wheel Kit  
 Rear Wheel Kit  
 Rear Wheel Kit  
 Rear Wheel Kit  
 Rear Wheel Kit  
 Rear Wheel Kit

PU28867 A.1

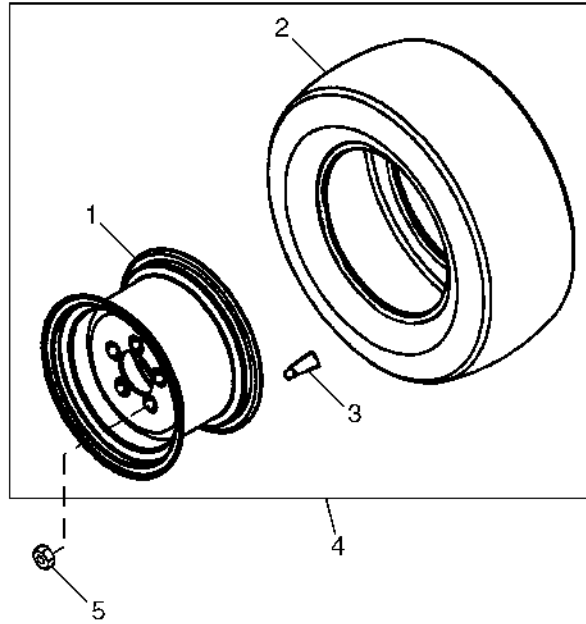


PU28867

Key	Part No.	Part Name	Qty.	Serial No.	Remarks
1	AM30795	Tire Valve Stem	2		
2	TCU29967	Rim	2		12 X 10.50
3	M145115	Tire	2		26 X 14 - 12
4	BM20705	Kit	1		

Wheels and Tires, Rear  
 Wheels and Tires, Rear  
 Wheels and Tires, Rear  
 Wheels and Tires, Rear  
 Wheels and Tires, Rear  
 Wheels and Tires, Rear

MP63542 A.1



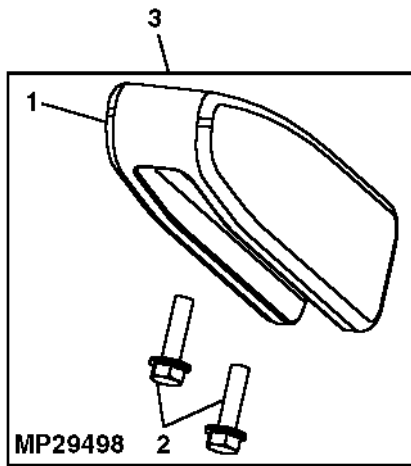
MP63542

Key	Part No.	Part Name	Qty.	Serial No.	Remarks
1	M129994	Wheel	1		12 X 9.5, (A)
	TCU29967	Rim	1		12 X 10.5, (B); SUB FOR M129995
2	TCU30414	Tire	1		26 X 12-12, (A); SUB FOR M121961; This Application 4 Ply, Turf Multi Trac
	M145115	Tire	1		26 X 14-12, (B), Multi Trac
3	AM30795	Tire Valve Stem	1		(A), (B)
4	AM124314	Tire And Wheel Assembly	2		26 X 12-12, ORDER AM30795, M121961 AND M129994; INCLUDES PARTS MARKED (A); Standard
5	..... M140439	Tire And Wheel Assembly Nut	2 10		26 X 14-12, (D); INCLUDES PARTS MARKED (B); Optional



Armrest Kit (Optional)  
 Armrest Kit (Optional)  
 Armrest Kit (Optional)  
 Armrest Kit (Optional)  
 Armrest Kit (Optional)  
 Armrest Kit (Optional)

MP29498 A.1

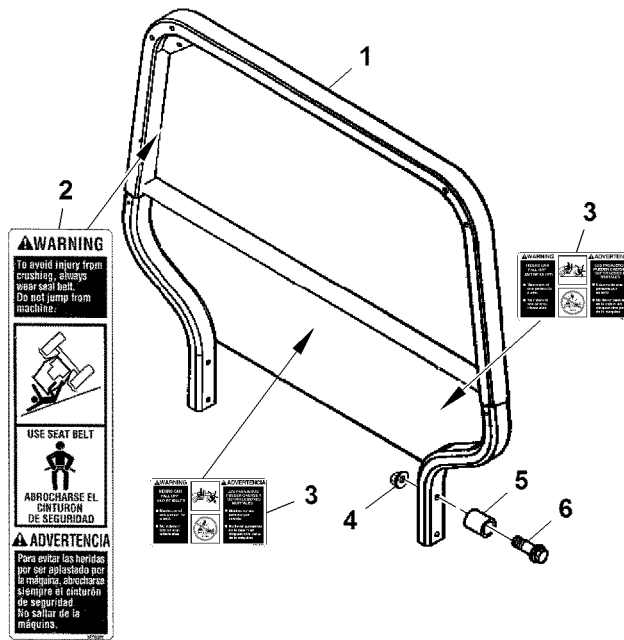


Key	Part No.	Part Name	Qty.	Serial No.	Remarks
1	.....	Pad	2		ARM REST
2	19M7868	Screw	4		M8 X 30
3	<b>BM20003</b>	<b>Armrest Kit</b>	1		

Rollover Guard ( - 050000)  
 Rollover Guard ( - 050000)  
 Rollover Guard ( - 050000)  
 Rollover Guard ( - 050000)  
 Rollover Guard ( - 050000)  
 Rollover Guard ( - 050000)



PU21684 A.1



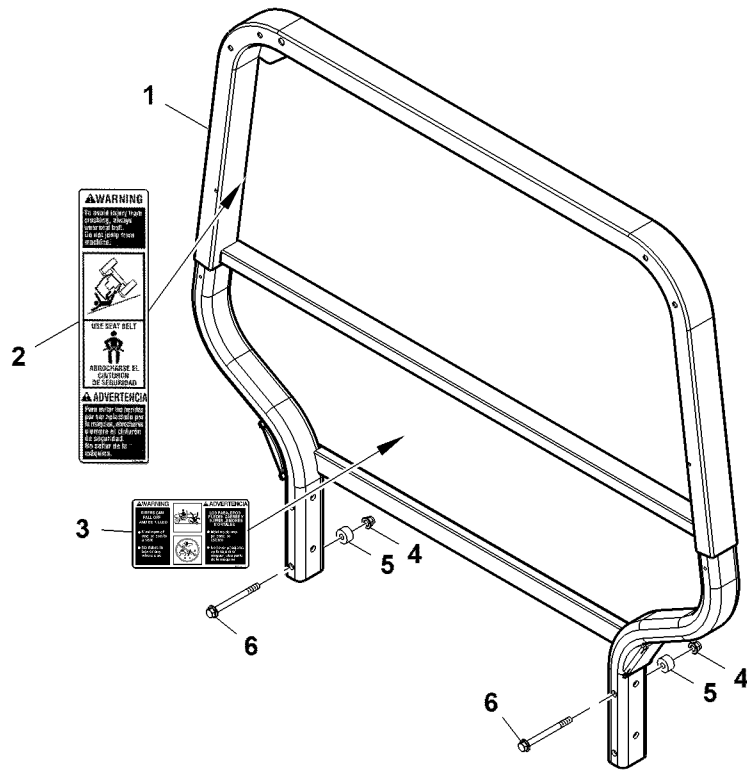
PU21684

Key	Part No.	Part Name	Qty.	Serial No.	Remarks
1	TCA17682	ROPS	1		INCLUDES MT4391 AND (2) TCU24637; SUB FOR AM131181
2	MT4391	Label	1		Warning, English / Spanish
3	TCU24637	Label	2		SUB FOR M119508; Warning, English / Spanish, Riders
4	14M7401	Lock Nut	4		M12
5	M120362	Spacer	4		
6	19M7820	Screw	4		M12 X 100



Rollover Guard (050001 - ), ( - 060000)  
 Rollover Guard (050001 - ), ( - 060000)  
 Rollover Guard (050001 - ), ( - 060000)  
 Rollover Guard (050001 - ), ( - 060000)  
 Rollover Guard (050001 - ), ( - 060000)  
 Rollover Guard (050001 - ), ( - 060000)

PU21685 A.1

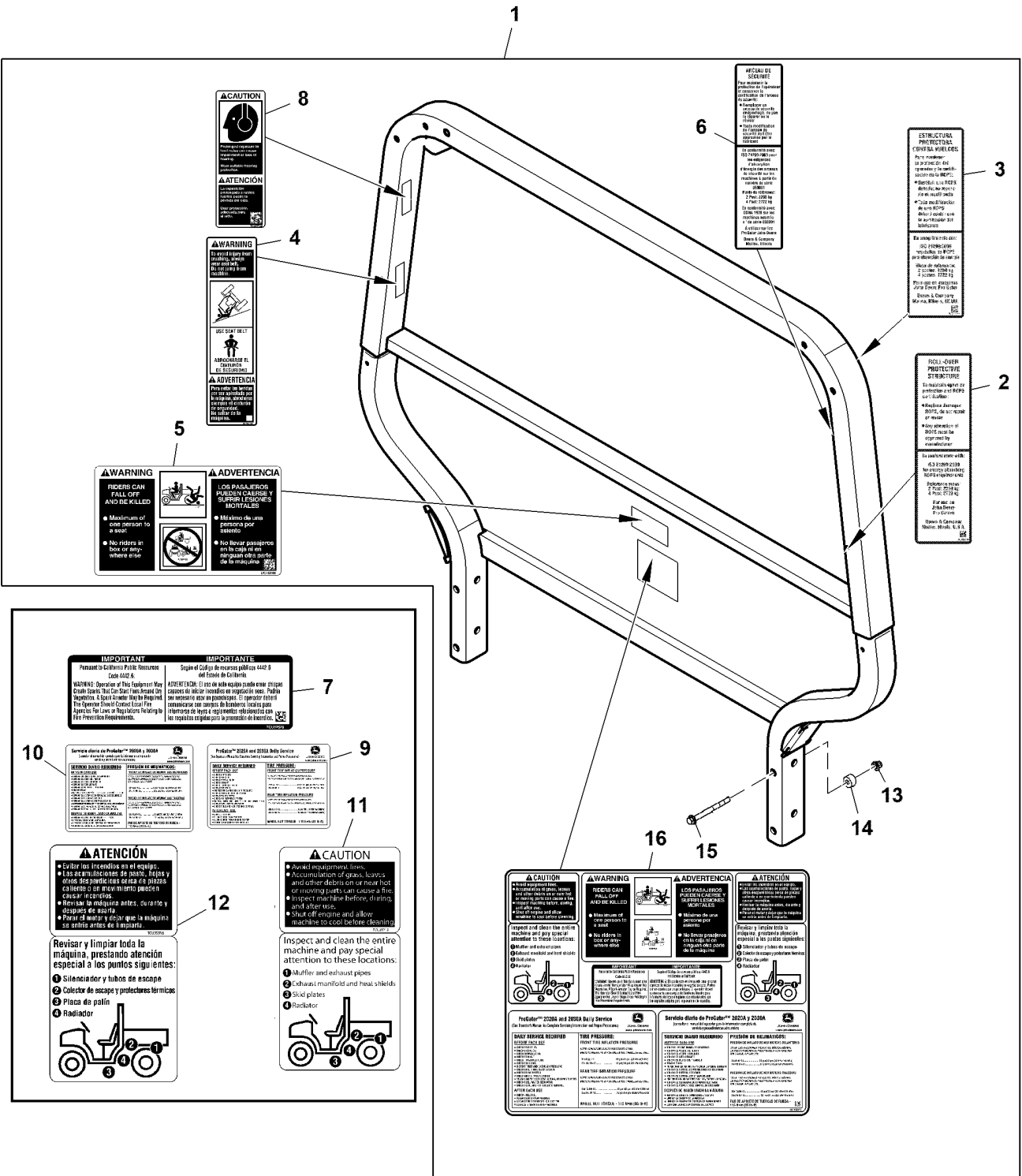


PU21685

Key	Part No.	Part Name	Qty.	Serial No.	Remarks
1	TCA20714	ROPS	1		INCLUDES MT4391 AND (2) TCU24637
2	MT4391	Label	1		Warning, English / Spanish
3	TCU24637	Label	2		Warning, English / Spanish, Riders
4	14M7401	Lock Nut	4		M12
5	M120362	Spacer	4		
6	19M7838	Screw	4		M12 X 130

- Roll Over Protection Structure (060001 -)
- Roll Over Protection Structure (060001 -)
- Roll Over Protection Structure (060001 -)
- Roll Over Protection Structure (060001 -)
- Roll Over Protection Structure (060001 -)
- Roll Over Protection Structure (060001 -)

PU41341 A.1

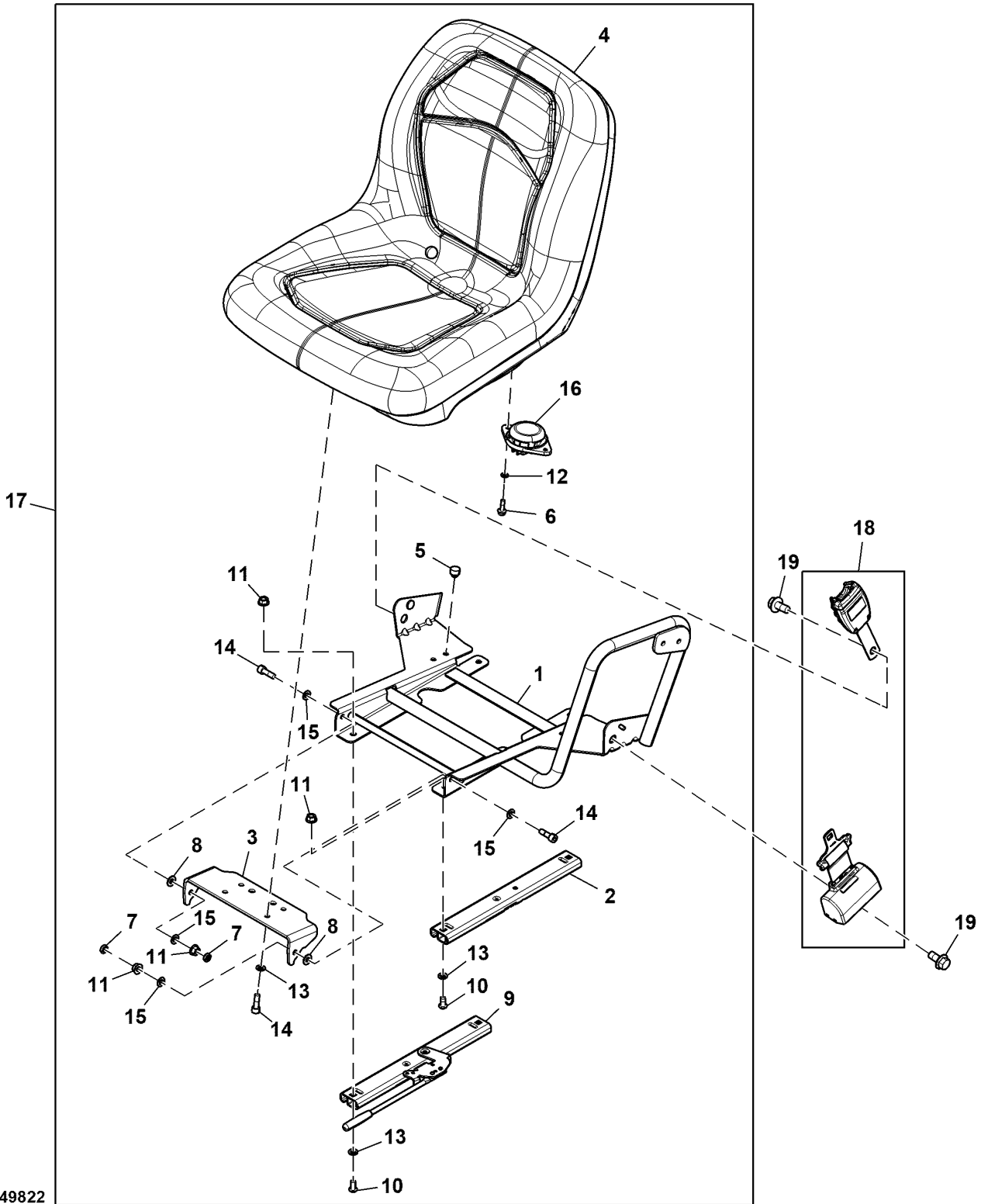


PU41341

Key	Part No.	Part Name	Qty.	Serial No.	Remarks
1	TCA21230	ROPS	1		W / Labels
2	TCU34273	Label	1		ROPS Service, English
3	TCU34274	Label	1		ROPS Service, Spanish
4	UC15019	Label	1		SUB FOR MT4391, Warning, English / Spanish
5	UC15248	Label	1		SUB FOR TCU24637, Warning
6	TCU34275	Label	1		ROPS, French
7	TCU32529	Label	1		ORDER UC15022, Spark Arrestor
8	TCU27738	Label	1		Caution, Hearing Protection
9	TCU36599	Label	1		ORDER UC15022, Service, English
10	TCU36600	Label	1		ORDER UC15022, Service Chart, Spanish
11	TCU35915	Label	1		ORDER UC15022, Cleaning, English
12	TCU35916	Label	1		ORDER UC15022, Cleaning, Spanish
13	14M7401	Lock Nut	4		M12
14	M120362	Spacer	4		
15	19M7838	Screw	4		M12 X 130
16	UC15022	Label	1		Combination

Seat Driver  
Seat Driver  
Seat Driver  
Seat Driver  
Seat Driver  
Seat Driver

PU49822 A.1

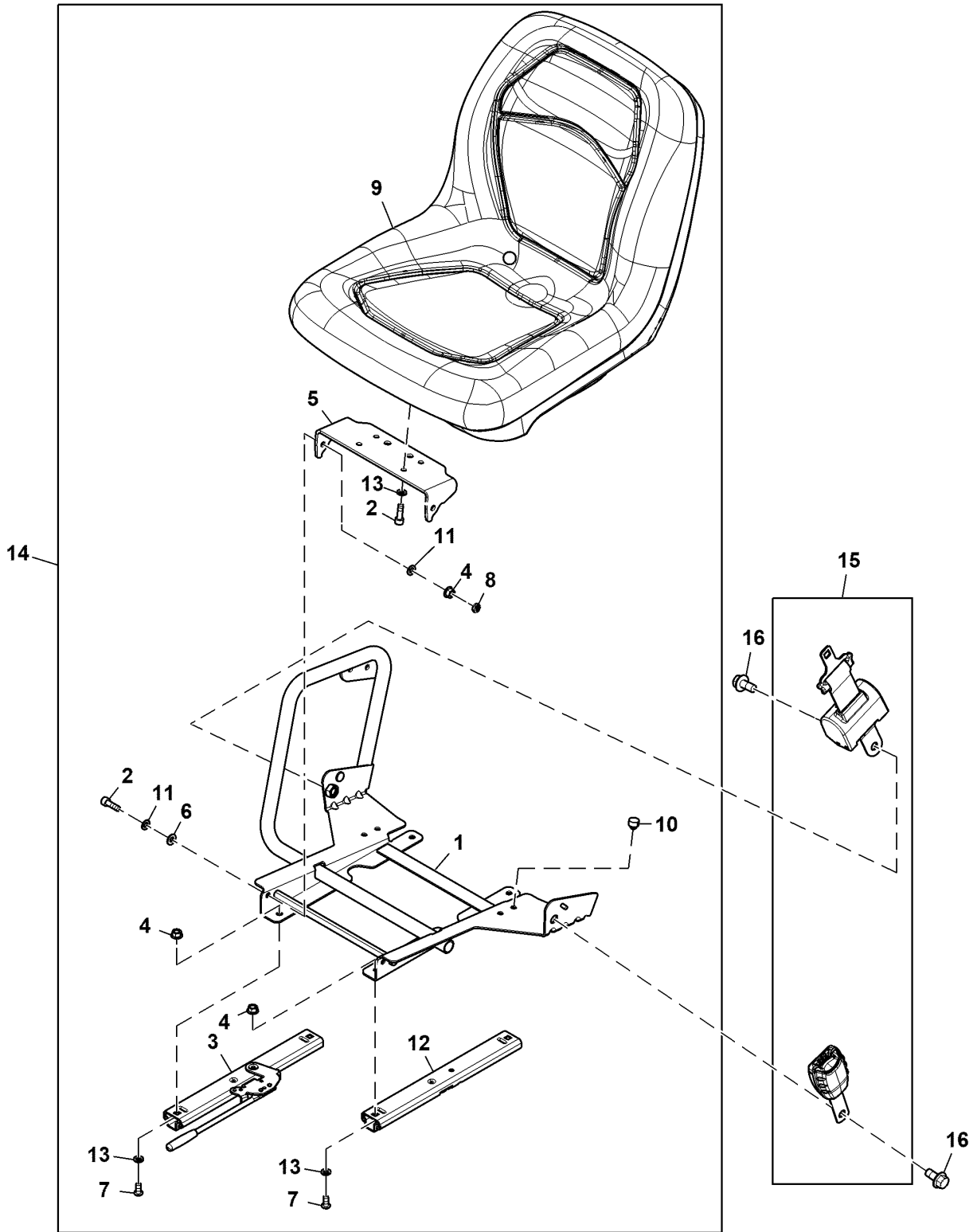


PU49822

Key	Part No.	Part Name	Qty.	Serial No.	Remarks
1	AUC18301	Support	1		
2	AUC13642	Adjuster	1		
3	UC28967	Plate	1		Hinge
4	AUC17920	Seat	1		
5	M68997	Bumper	4		
6	19M7862	Screw	2		M6 X 20
7	14M7151	Nut	2		M8
8	M139610	Washer	2		
9	AUC18517	Adjuster	1		Slide Rail
10	21M7536	Screw	4		M8 X 16
11	14M7424	Flange Nut	6		M8
12	24M7088	Washer	2		6.600 X 12 X 1.600 mm
13	12M7170	Lock Washer	8		8.360 mm
14	19M7657	Screw	6		M8 X 25
15	24M7265	Washer	4		9 X 16 X 1.600 mm
16	SJ29449	Seat Assembly	1		Seat Presence Switch
17	AUC17933	Seat	1		
18	AUC16694	Seat Belt	1		
19	19M7788	Screw	2		M12 X 25

Seat Passenger  
Seat Passenger  
Seat Passenger  
Seat Passenger  
Seat Passenger  
Seat Passenger

PU49821 A.1



PU49821



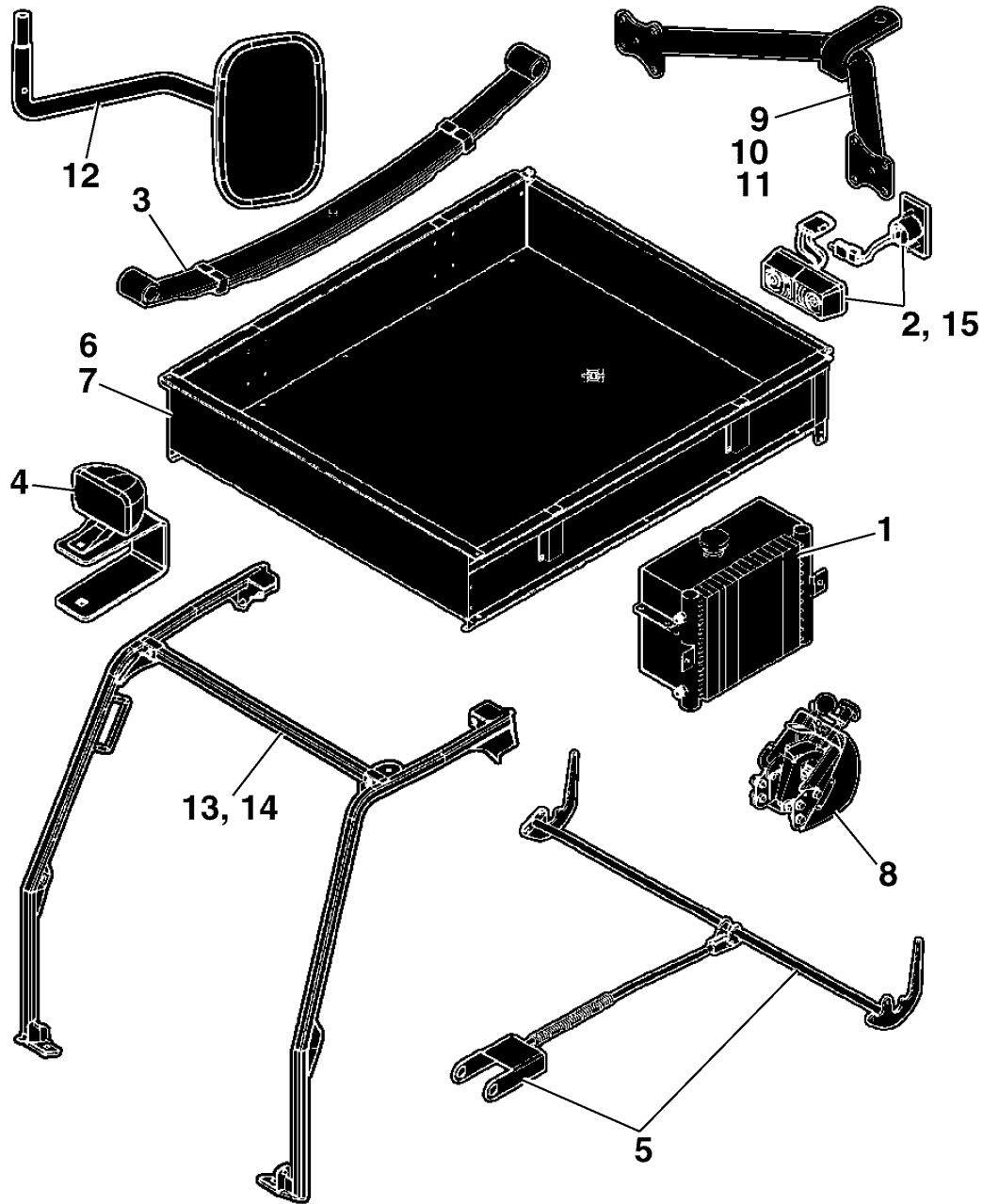
Key	Part No.	Part Name	Qty.	Serial No.	Remarks
1	AUC18302	Support	1		
2	19M7657	Screw	6		M8 X 25
3	AUC18517	Adjuster	1		Slide Rail
4	14M7424	Flange Nut	6		M8
5	UC28967	Plate	1		Hinge
6	M139610	Washer	2		
7	21M7536	Screw	4		M8 X 16
8	14M7151	Nut	2		M8
9	AUC17920	Seat	1		
10	M68997	Bumper	4		
11	24M7265	Washer	4		9 X 16 X 1.600 mm
12	AUC13642	Adjuster	1		
13	12M7170	Lock Washer	8		8.360 mm
14	AUC17934	Seat	1		Kit
15	AUC16694	Seat Belt	1		
16	19M7788	Screw	2		M12 X 25



Sectional Pictorial Index  
 Index d'illustrations par sections.  
 Gruppenbildindex  
 Indice illustrato delle sezioni  
 Índice de ilustraciones por secciones  
 Avsnittsbildregister

PU07724 A.1

1-	292
1-	296
1-	290
2-	300
4-	302
5-	304
6-	306
6-	308
6-	310
8-	312
9-	314
10-	315
11-	316
12-	318
12-	319
13-	324
7-	326
3-	327
14-	322
15-	298

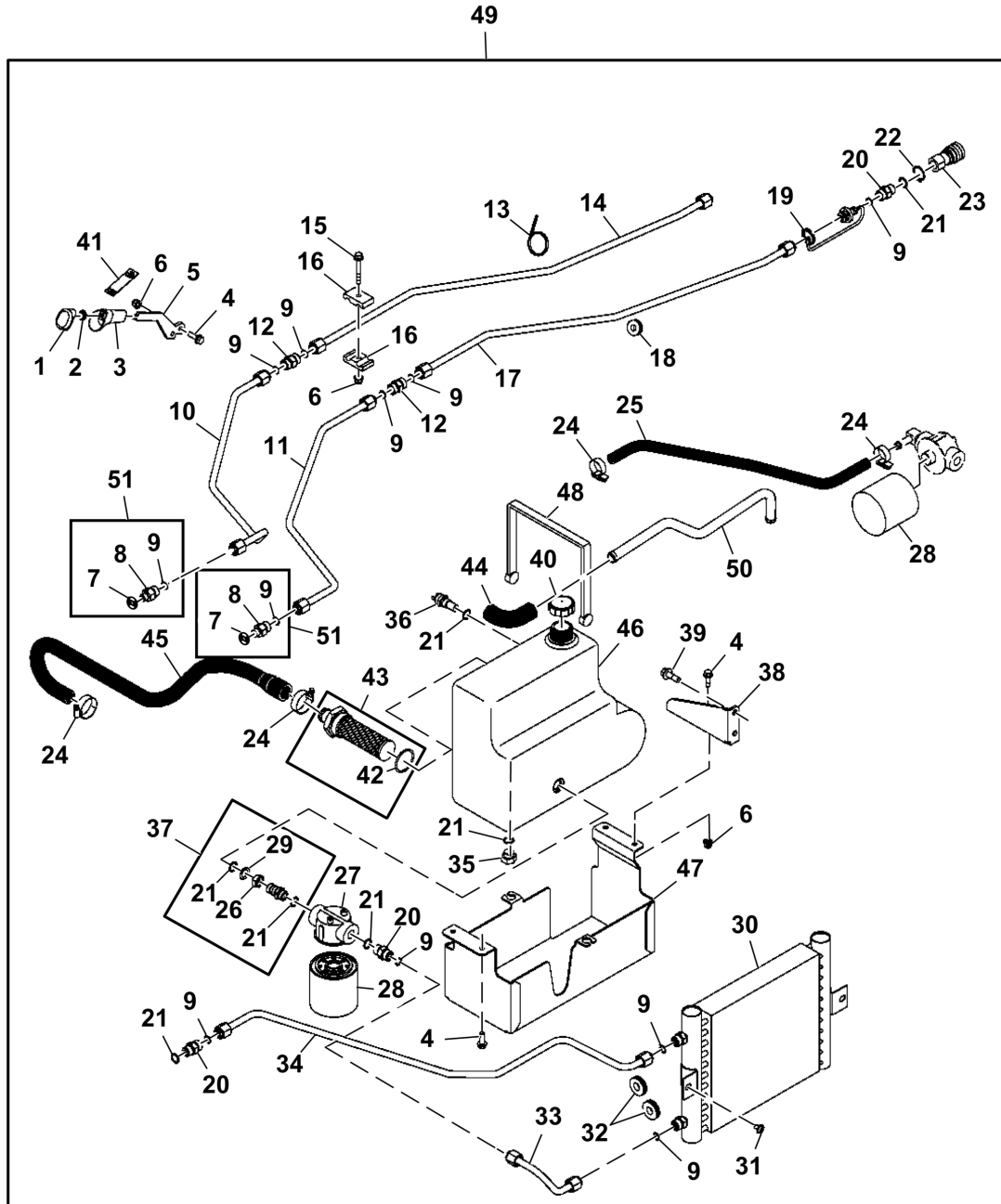


PU07724

Auxiliary Hydraulic Kit (- 060000)  
 Auxiliary Hydraulic Kit (- 060000)  
 Auxiliary Hydraulic Kit (- 060000)  
 Auxiliary Hydraulic Kit (- 060000)  
 Auxiliary Hydraulic Kit (- 060000)  
 Auxiliary Hydraulic Kit (- 060000)



TCB11078A A.1



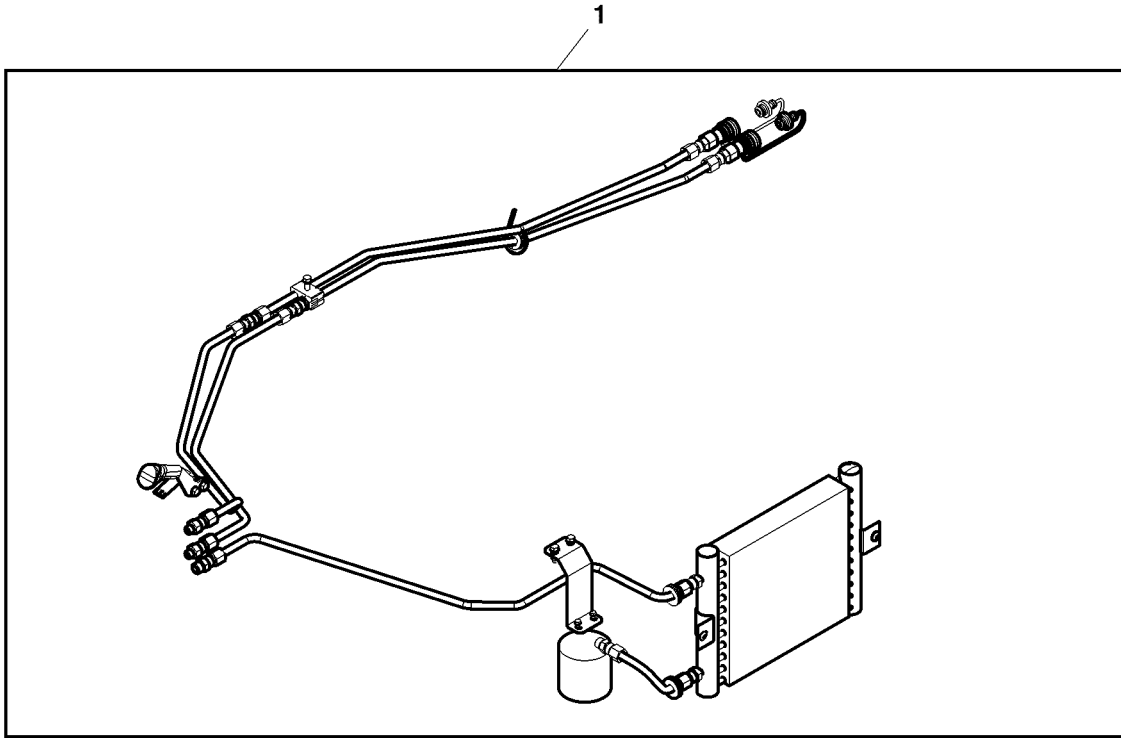
TCB11078A

Key	Part No.	Part Name	Qty.	Serial No.	Remarks
1	L78981	Insert	1		
2	M111717	Nut	1		
3	L77747	Knob	1		
4	19M7867	Screw	6		M8 X 25
5	M131011	Handle	1		
6	14M7396	Lock Nut	5		M8
7	R26448	O-Ring	2		
8	38H1173	Adapter Fitting	2		
9	T77857	O-Ring	12		
10	AUC20640	Oil Line	1		Hydraulic Auxiliary Return, Front, SUB FOR AM130951
11	AUC20637	Oil Line	1		Hydraulic Auxiliary Pressure, Front, SUB FOR AM130952
12	38H1279	Union Fitting	2		
13	H77698	Tie Band	1		
14	AUC20638	Oil Line	1		Hydraulic Auxiliary Return, Rear, SUB FOR AM130950
15	19M7801	Screw	1		M8 X 60
16	H135156	Clamp	2		
17	AUC20639	Oil Line	1		Hydraulic Auxiliary Pressure, Rear, SUB FOR AM130953
18	R62356	Grommet	1		
19	M137064	Plug	1		Yellow
	M137065	Plug	1		Red
20	38H1161	Adapter Fitting	4		
21	R26375	O-Ring	8		
22	M42702	Snap Ring	2		
23	AM105466	Hyd. Quick-Connect Coupler	2		
24	TY22467	Clamp	4		
25	M143509	Hydraulic Hose	1		
26	R27448	Nut	1		
27	M143206	Filter Head	1		USE WITH MIA12139 OR MIA13217
28	M131053	Oil Filter	2		
29	R27449	Washer	1		
30	AUC17693	Oil Cooler	1		SUB FOR AM128905
31	19M8971	Screw	2		M8 X 12
32	R27533	Grommet	2		
33	TCA16829	Oil Line	1		Oil Cooler To Reservoir
34	TCA16828	Oil Line	1		Oil Cooler To Filter
35	F85008	Fitting Plug	1		
36	TCU21120	Switch	1		Temperature
37	AN131153	Union Fitting	1		
38	M141436	Bracket	1		SUB FOR VGA10613
39	19M7786	Screw	2		M10 X 30
40	VG10989	Cap	1		
41	M140183	Label	1		Hydraulic PTO
42	R29936	O-Ring	1		
43	AM130017	Strainer	1		
44	M131007	Suction Hose	1		
45	TCU22176	Hose	1		Hydraulic Return
46	VGA10876	Hydraulic Reservoir	1		
47	VG10988	Support	1		
48	M111150	Strap	1		ORDER M119854
49	TCB11078	Kit	1		Order Individual Parts
50	TCU22721	Tube	1		Hydraulic Supply, Steering
51	61H1173	Adapter Fitting	2		

Attachment, Auxiliary Hydraulic (060001 - 075000)  
 Attachment, Auxiliary Hydraulic (060001 - 075000)  
 Attachment, Auxiliary Hydraulic (060001 - 075000)  
 Attachment, Auxiliary Hydraulic (060001 - 075000)  
 Attachment, Auxiliary Hydraulic (060001 - 075000)  
 Attachment, Auxiliary Hydraulic (060001 - 075000)



TCB11681 A.1



TCB11681

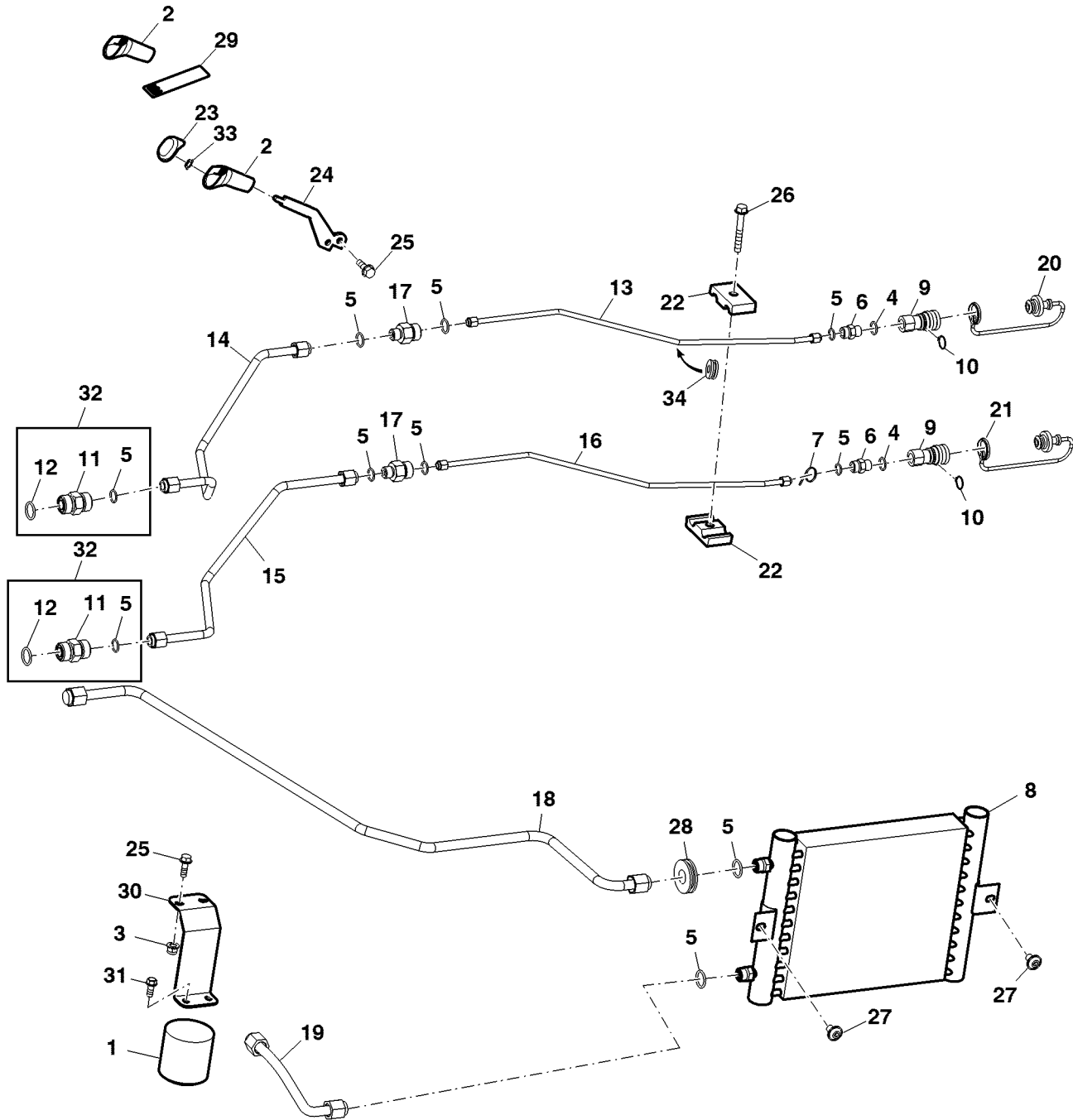
Key	Part No.	Part Name	Qty.	Serial No.	Remarks
1	TCB11681	Hyd. Quick-Connect Coupler	1		



Auxiliary Hydraulic Kit (060001 - 075000)  
 Auxiliary Hydraulic Kit (060001 - 075000)  
 Auxiliary Hydraulic Kit (060001 - 075000)  
 Auxiliary Hydraulic Kit (060001 - 075000)  
 Auxiliary Hydraulic Kit (060001 - 075000)  
 Auxiliary Hydraulic Kit (060001 - 075000)



PU18340 A.1



PU18340

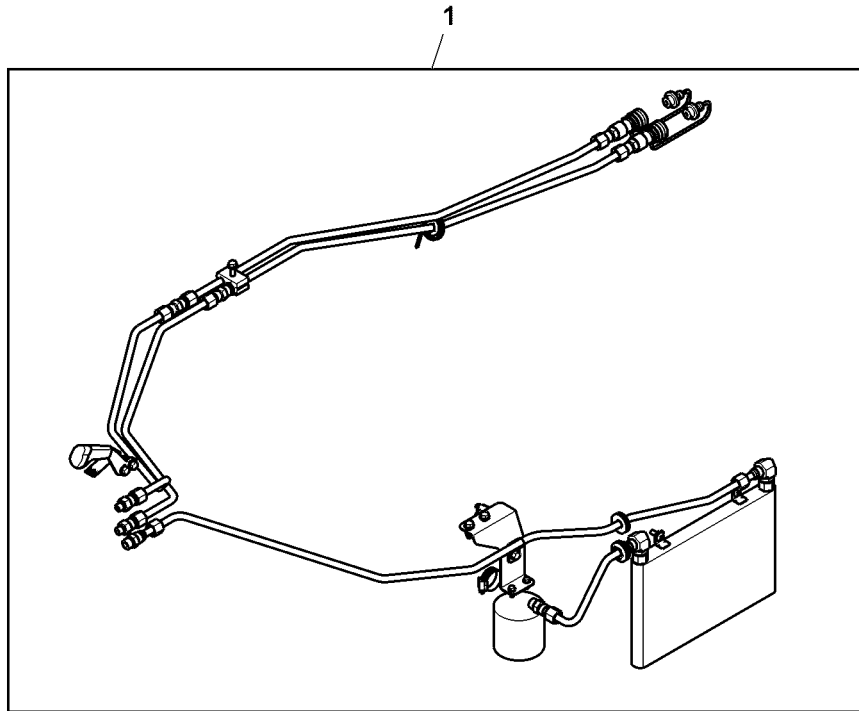


Key	Part No.	Part Name	Qty.	Serial No.	Remarks
1	M131053	Oil Filter	1		
2	L77747	Knob	2		
3	14M7396	Lock Nut	5		M8
4	R26375	O-Ring	3		
5	T77857	O-Ring	10		
6	38H1161	Adapter Fitting	2		
7	H77698	Tie Band	7		SUB FOR M78480
8	AUC17693	Oil Cooler	1		SUB FOR AM128905
9	AM105466	Hyd. Quick-Connect Coupler	2		
10	M42702	Snap Ring	2		
11	38H1173	Adapter Fitting	2		
12	R26448	O-Ring	2		
13	AUC20638	Oil Line	1		SUB FOR AM130950 ,Hydraulic Auxiliary Return, Rear
14	AUC20640	Oil Line	1		SUB FOR AM130951 ,Hydraulic Auxiliary Return, Front
15	AUC20637	Oil Line	1		SUB FOR AM130952 ,Hydraulic Auxiliary Pressure, Front
16	AUC20639	Oil Line	1		SUB FOR AM130953 ,Hydraulic Auxiliary Pressure, Rear
17	38H1279	Union Fitting	2		
18	TCA16828	Oil Line	1		Oil Cooler to Filter
19	TCA16829	Oil Line	1		Oil Cooler to Reservoir
20	M137065	Plug	1		Red
21	M137064	Plug	1		Yellow
22	H135156	Clamp	2		
23	L78981	Insert	1		
24	M131011	Handle	1		PTO Control
25	19M7867	Screw	4		M8 X 25
26	19M7801	Screw	1		M8 X 60
27	19M8971	Screw	2		M8 X 12
28	R27533	Grommet	2		
29	M140183	Label	1		Hydraulic PTO
30	TCU30382	Bracket	1		Filter Head
31	T23876	Screw	2		
32	61H1173	Adapter Fitting	2		
33	M111717	Nut	1		
34	R62356	Grommet	1		

Attachment, Auxiliary Hydraulic (075001 - )  
 Attachment, Auxiliary Hydraulic (075001 - )  
 Attachment, Auxiliary Hydraulic (075001 - )  
 Attachment, Auxiliary Hydraulic (075001 - )  
 Attachment, Auxiliary Hydraulic (075001 - )  
 Attachment, Auxiliary Hydraulic (075001 - )



BTC10542 A.1



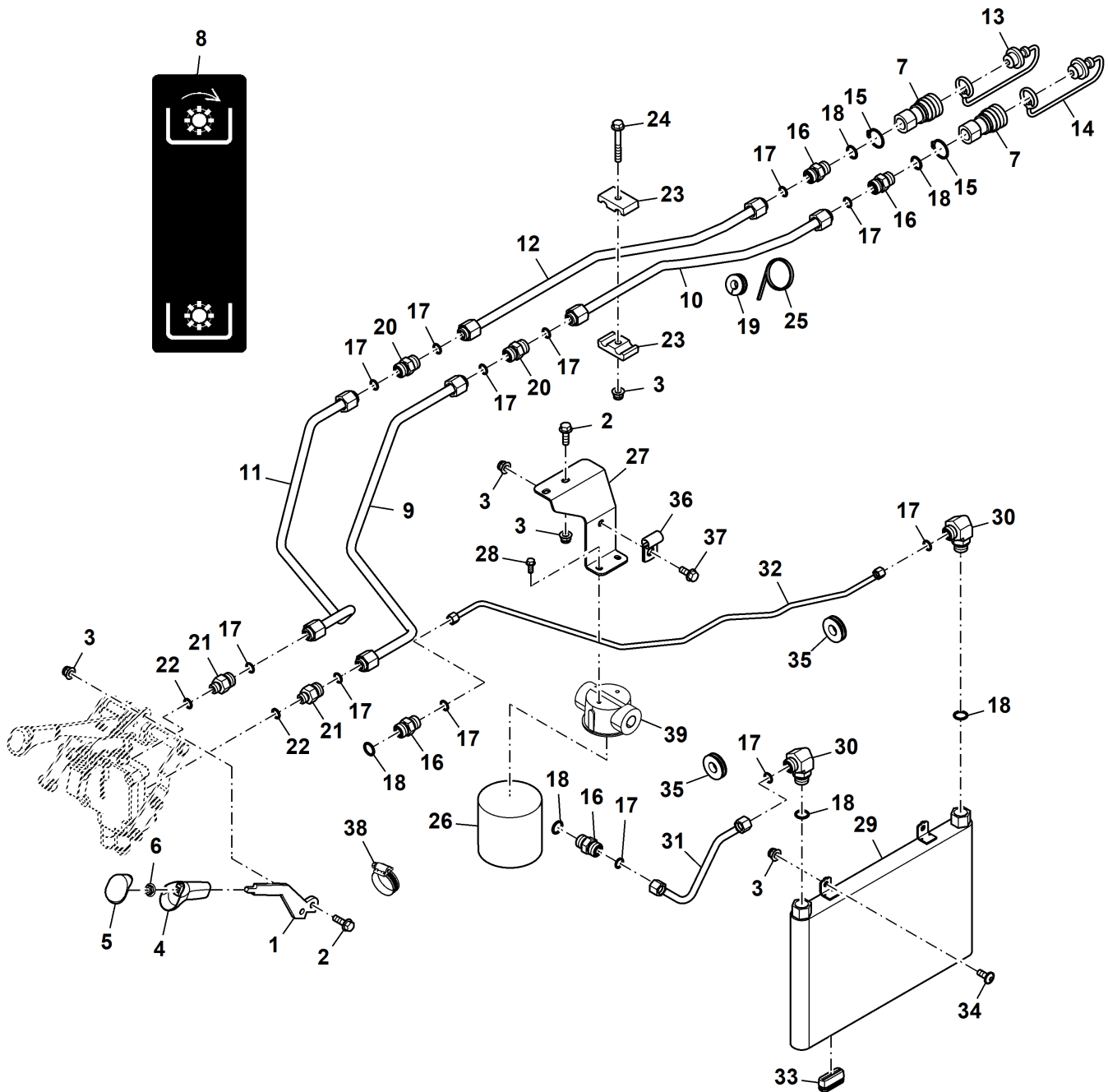
BTC10542

Key	Part No.	Part Name	Qty.	Serial No.	Remarks
1	BTC10542	Hydraulic Reservoir	1	075001-	



Auxiliary Hydraulic Lines (075001 - )  
 Auxiliary Hydraulic Lines (075001 - )  
 Auxiliary Hydraulic Lines (075001 - )  
 Auxiliary Hydraulic Lines (075001 - )  
 Auxiliary Hydraulic Lines (075001 - )  
 Auxiliary Hydraulic Lines (075001 - )

PU51203 A.1

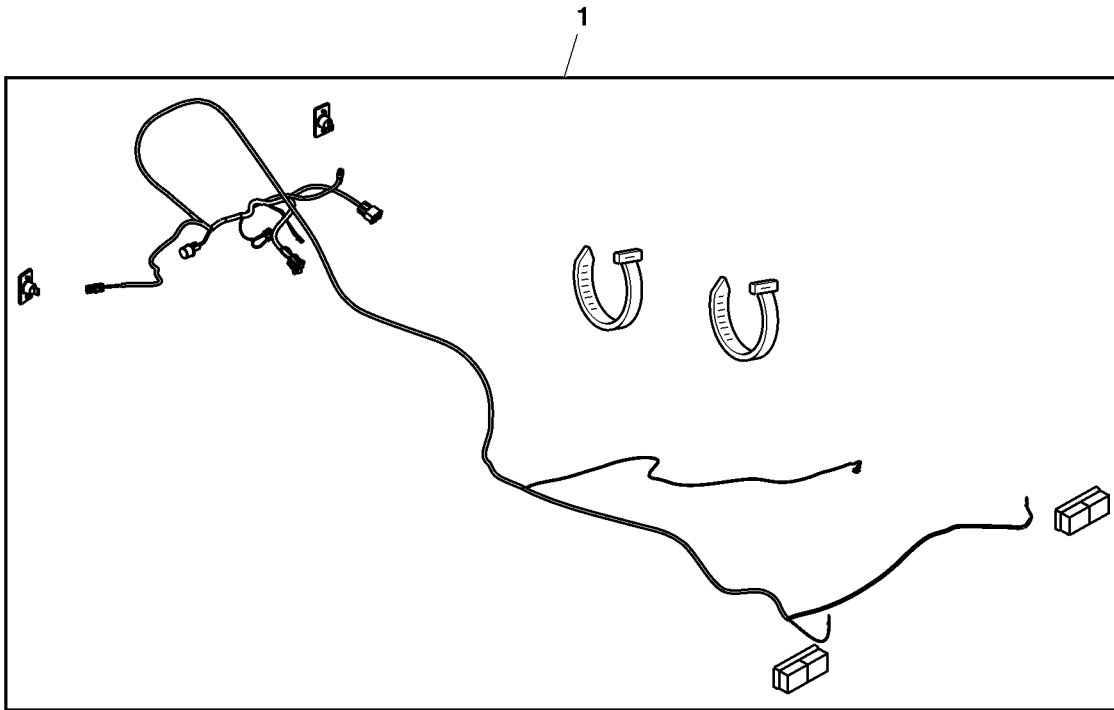


PU51203

Key	Part No.	Part Name	Qty.	Serial No.	Remarks
1	M131011	Handle	1		PTO Control
2	19M7407	Cap Screw	4	-160000	M8 X 25
	19M7867	Screw	4	160001-	M8 X 25
3	14M7396	Lock Nut	6		M8
4	SU47687	Knob	1		SUB FOR L77747
5	L78981	Insert	1		Knob, PTO Lever
6	M111717	Nut	1		
7	AM105466	Hyd. Quick-Connect Coupler	2		
8	M140183	Label	1		Hydraulic PTO
9	AUC20637	Oil Line	1		SUB FOR AM130952 ,Hydraulic Auxiliary Pressure, Front
10	AUC20639	Oil Line	1		SUB FOR AM130953 ,Hydraulic Auxiliary Pressure, Rear
11	AUC20640	Oil Line	1		SUB FOR AM130951 ,Hydraulic Auxiliary Return, Front
12	AUC20638	Oil Line	1		SUB FOR AM130950 ,Hydraulic Auxiliary Return, Rear
13	M137065	Plug	1		Dust, Red
14	M137064	Plug	1		Dust, Yellow
15	M42702	Snap Ring	2		
16	38H1161	Adapter Fitting	4		
17	T77857	O-Ring	14		
18	R26375	O-Ring	10		
19	R62356	Grommet	2		
20	38H1279	Union Fitting	2		
21	38H1173	Adapter Fitting	2	-160000	
	38H3173	Adapter Fitting	2	160001-	
22	R26448	O-Ring	2		
23	H135156	Clamp	2		
24	19M7801	Screw	1		M8 X 60
25	H77698	Tie Band	1		
26	M131053	Oil Filter	1		
27	TCU34051	Bracket	1		Filter Head
28	T23876	Screw	2		
29	TCA21257	Oil Cooler	1		
30	38H1005	Elbow Fitting	2	-160000	
	38H3005	Adapter Fitting	2	160001-	
31	AUC19022	Oil Line	1		SUB FOR TCA22872, Oil Cooler, Outlet
32	AUC19021	Oil Line	1		SUB FOR TCA22871, Oil Cooler, Inlet
33	TCU32885	Eyelet	2		
34	19M8599	Screw	2		M8 X 20
35	R27533	Grommet	2		
36	AH79175	Clip	1		
37	19M7866	Screw	1		M8 X 20
38	TY22467	Clamp	2		
39	M143206	Filter Head	1		
40	38H5043	Tube Nut	4		

Attachment, Turn Signal Light W/ Harness  
 Attachment, Turn Signal Light W/ Harness  
 Attachment, Turn Signal Light W/ Harness  
 Attachment, Turn Signal Light W/ Harness  
 Attachment, Turn Signal Light W/ Harness  
 Attachment, Turn Signal Light W/ Harness

BTC10507 A.1



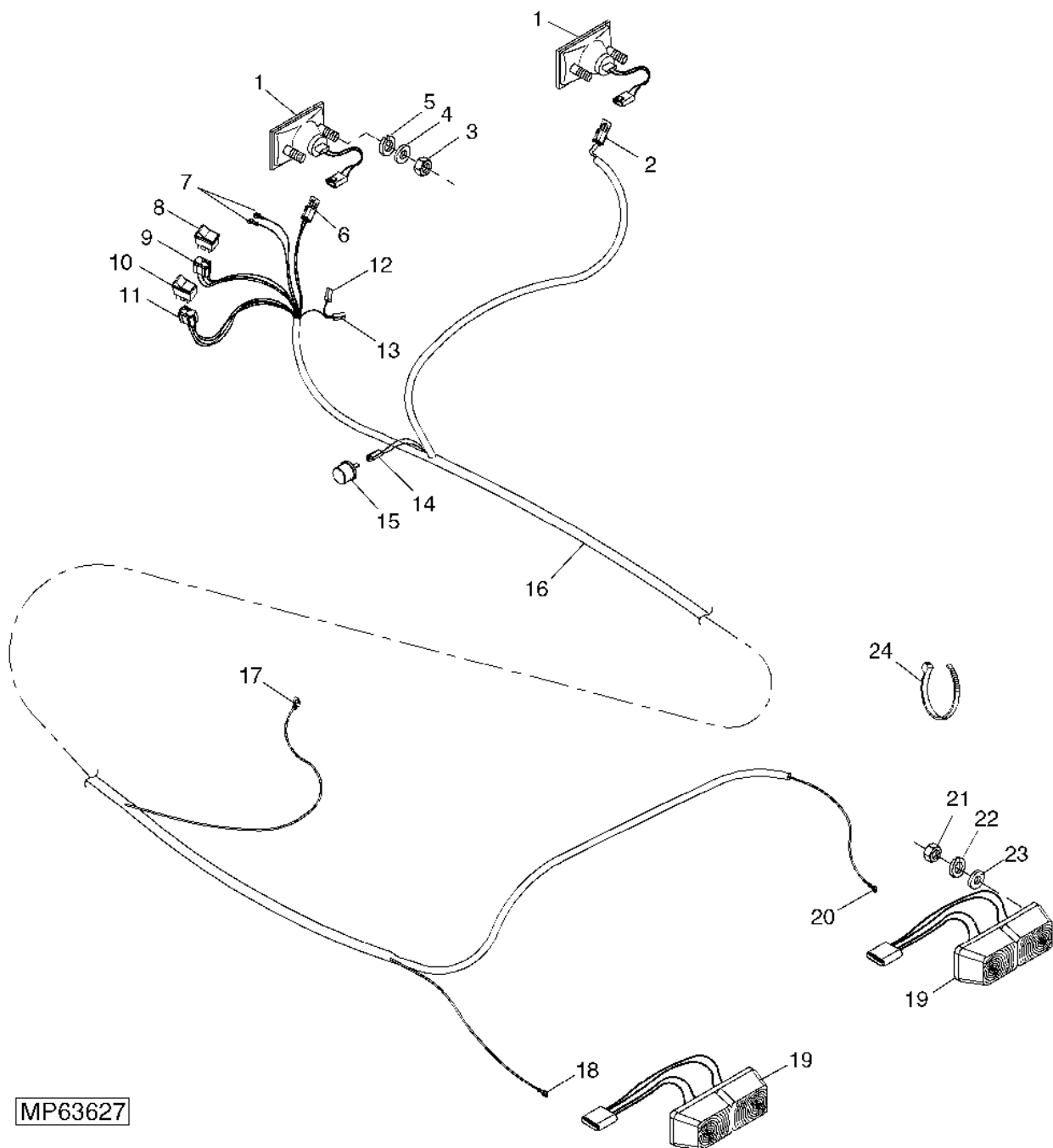
BTC10507

Key	Part No.	Part Name	Qty.	Serial No.	Remarks
1	BTC10507	Light Kit	1		



Turn Signal Kit  
Turn Signal Kit  
Turn Signal Kit  
Turn Signal Kit  
Turn Signal Kit  
Turn Signal Kit

MP63627 A.1



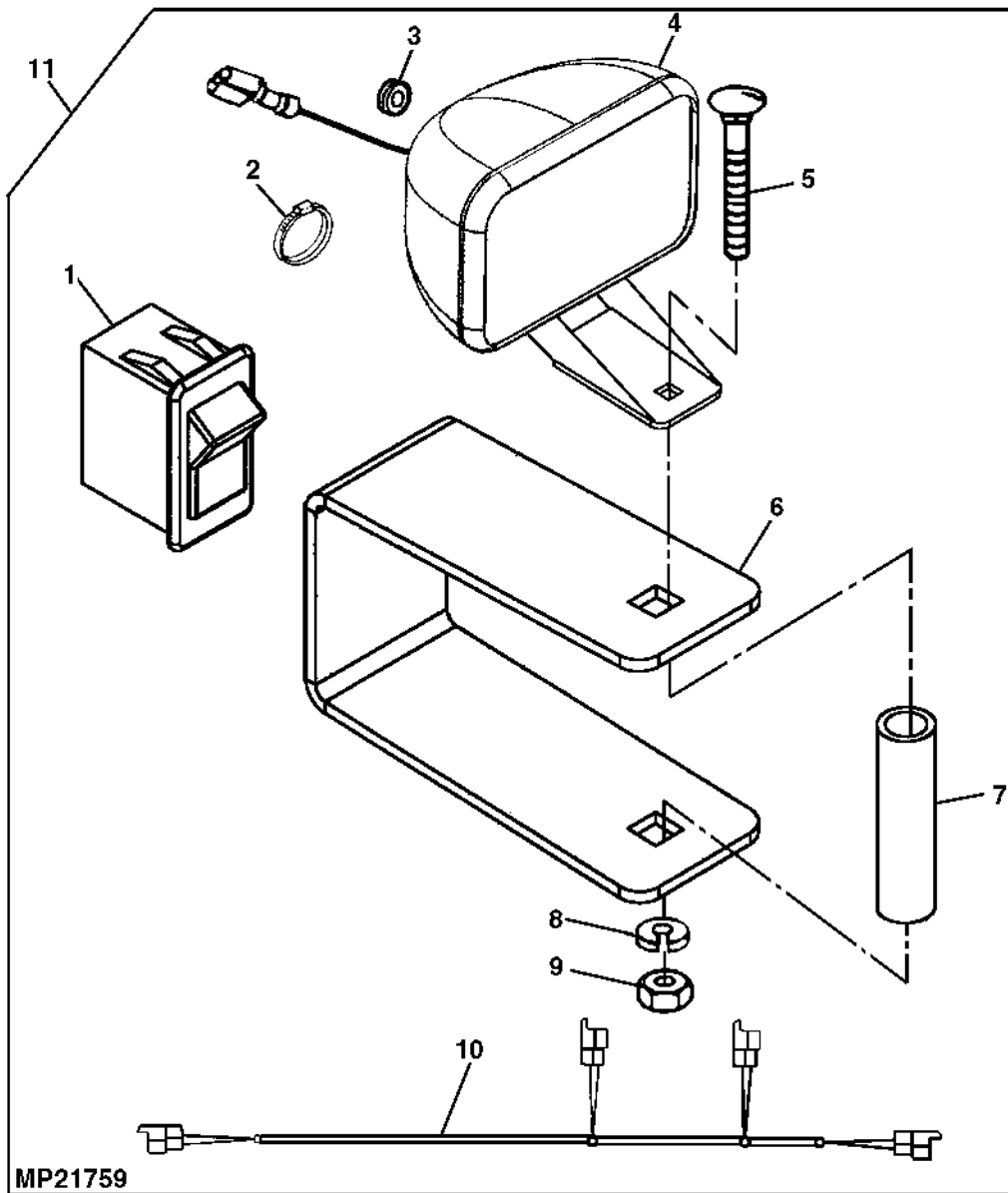
MP63627



Key	Part No.	Part Name	Qty.	Serial No.	Remarks
1	AM127338 TCU33489 AR62407	Turn Signal Lamp Lamp Bulb	2 2 1		ORDER TCU33489; USE WITH TCB11193; Front USE WITH BTC10507 Not Illustrated, USE WITH AM127338
2	R78053	Electrical Connector Assy	1		Signal, RH
3	14H631	Nut	4		0.190"
4	12M7064	Lock Washer	4		5 mm
5	24M7027	Washer	4		5.300 X 10 X 1 mm
6	R78053	Electrical Connector Assy	1		Signal, LH
7	.....	Connector	2		Instrument Cluster
8	AM117259	Switch	1		Hazard
9	57M9361	Connector	1		Hazard Switch
10	AM116574	Switch	1		Turn Signal
11	57M9361	Connector	1		Turn Signal Switch
12	57M8815	Elec. Connector Housing	1		SUB FOR T28583; Auxiliary Power
13	T28585	Electrical Connector Assy	1		
14	57M8812	Elec. Connector Housing	1		SUB FOR R77479; Turn Flasher
15	AU41465	Flasher	1		
16	TCA16601	Wiring Harness	1		
17	.....	Connector	2		Ground
18	.....	Connector	1		Taillight, LH
19	AM126213	Stop Light	2		Red and Amber
20	.....	Connector	1		Taillight, RH
21	14M7297	Nut	4		M5
22	12H316	Lock Washer	4		0.216"
23	24M7138	Washer	4		5.300 X 15 X 1 mm
24	H77698	Tie Band	20		
..	<b>TCB11193</b>	<b>Kit</b>	<b>1</b>		<b>Not Illustrated, ORDER BTC10507</b>

Work Light Kit  
Work Light Kit  
Work Light Kit  
Work Light Kit  
Work Light Kit  
Work Light Kit

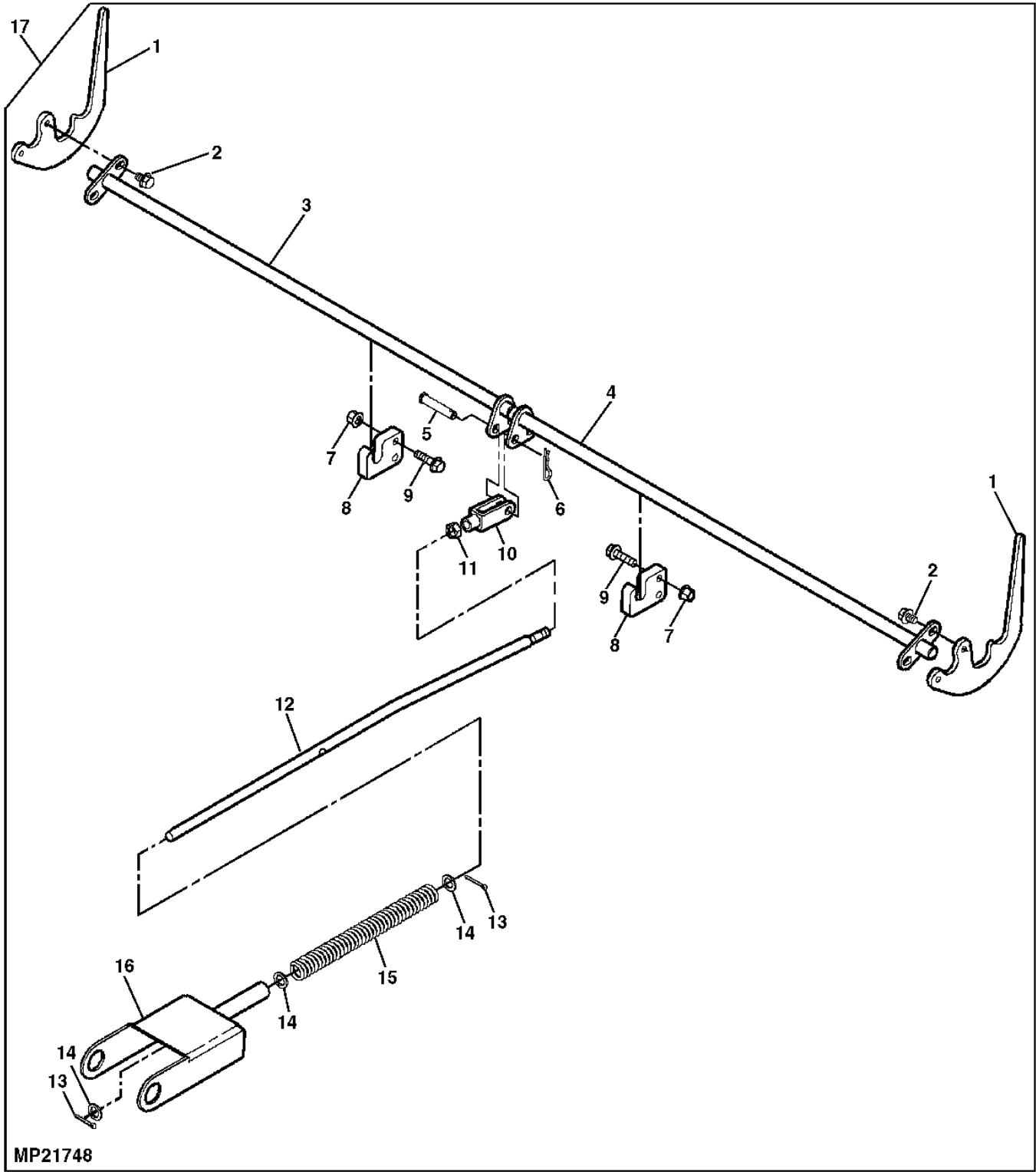
MP21759 A.1



Key	Part No.	Part Name	Qty.	Serial No.	Remarks
1	AM117324	Switch	1		Head Light
2	H77698	Tie Band	4		
3	M142624	Grommet	1		
4	AM126214	Floodlamp	3		INCLUDES AM118013 M8 X 70
5	03M7305	Bolt	3		
6	M129993	Clevis	3		
7	M140559	Spacer	3		8.100 mm M8
8	12M7087	Washer	3		
9	14M7273	Nut	3		
10	AM127092	Wiring Harness	1		
11	<b>BM19776</b>	<b>Kit</b>	<b>1</b>		<b>Work Light, Optional</b>

Tailgate Release Kit  
Tailgate Release Kit  
Tailgate Release Kit  
Tailgate Release Kit  
Tailgate Release Kit  
Tailgate Release Kit

MP21748 A.1

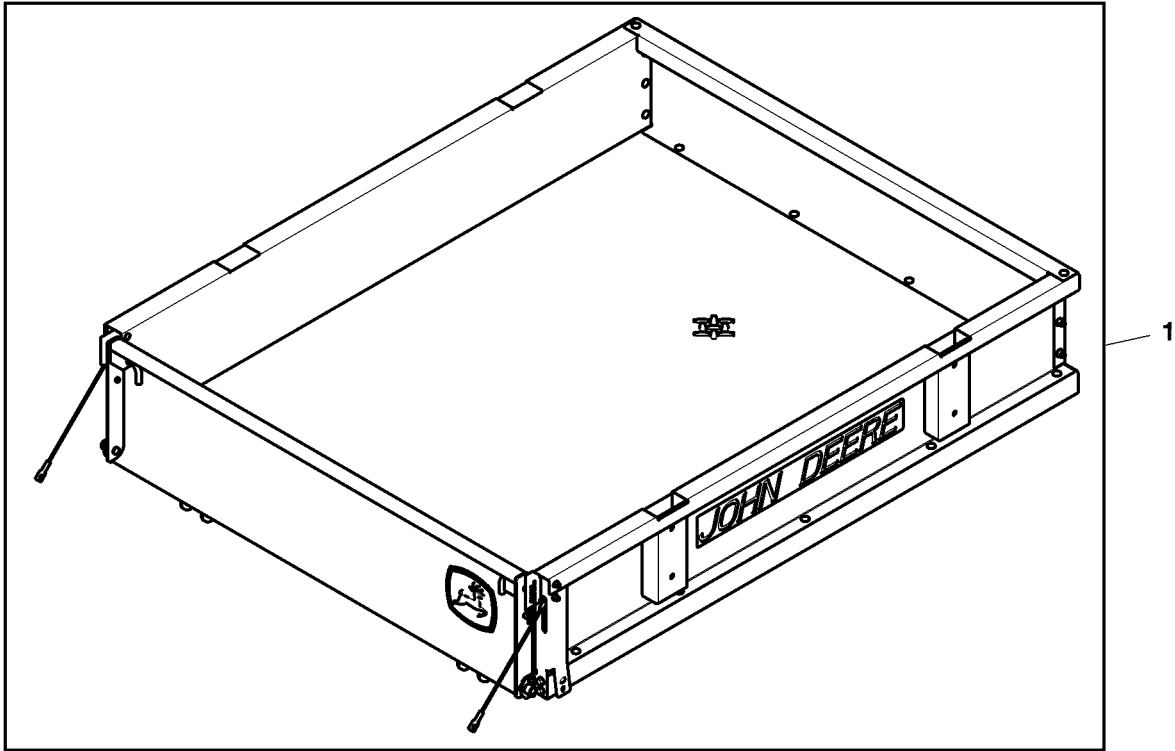


MP21748

Key	Part No.	Part Name	Qty.	Serial No.	Remarks
1	M141039	Latch	2		
2	19M7864	Screw	4		M8 X 12
3	AM130027	Shaft	1		SUB FOR VGA10733, RH
4	AM124560	Shaft	1		SUB FOR VGA10732, LH
5	M43649	Pin	1		
6	J16931	Pin	1		
7	14M7396	Lock Nut	4		M8
8	M141042	Support	2		Bearing
9	19M7868	Screw	4		M8 X 30
10	54M4422	Yoke	1		
11	14M7274	Nut	1		M10
12	M141038	Lever	1		
13	11M7015	Cotter Pin	2		3.200 X 25 mm
14	24M7044	Washer	3		13 X 20 X 2 mm
15	M131442	Compression Spring	1		
16	AM124555	Clevis	1		Welded Cylinder
17	<b>BM19954</b>	<b>Kit</b>	<b>1</b>		
18	M142573	Label	3		Not Illustrated

Attachment, Cargo Box  
 Attachment, Cargo Box  
 Attachment, Cargo Box  
 Attachment, Cargo Box  
 Attachment, Cargo Box  
 Attachment, Cargo Box

BTC10262 A.1



BTC10262

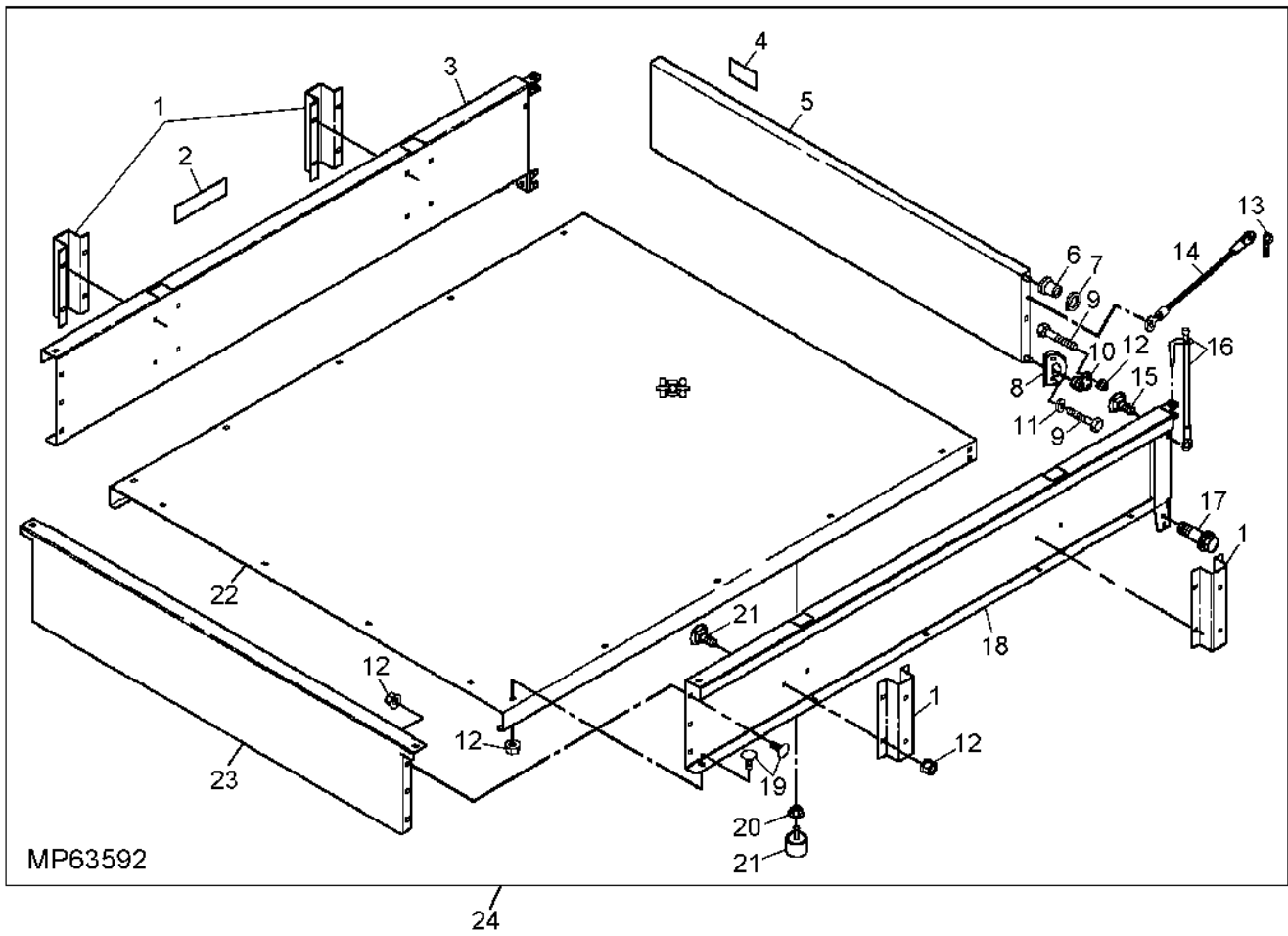
Key	Part No.	Part Name	Qty.	Serial No.	Remarks
1	BTC10262	Box	1		



Cargo Box ( - 045000)  
Cargo Box ( - 045000)  
Cargo Box ( - 045000)  
Cargo Box ( - 045000)  
Cargo Box ( - 045000)  
Cargo Box ( - 045000)



MP63592 A.1

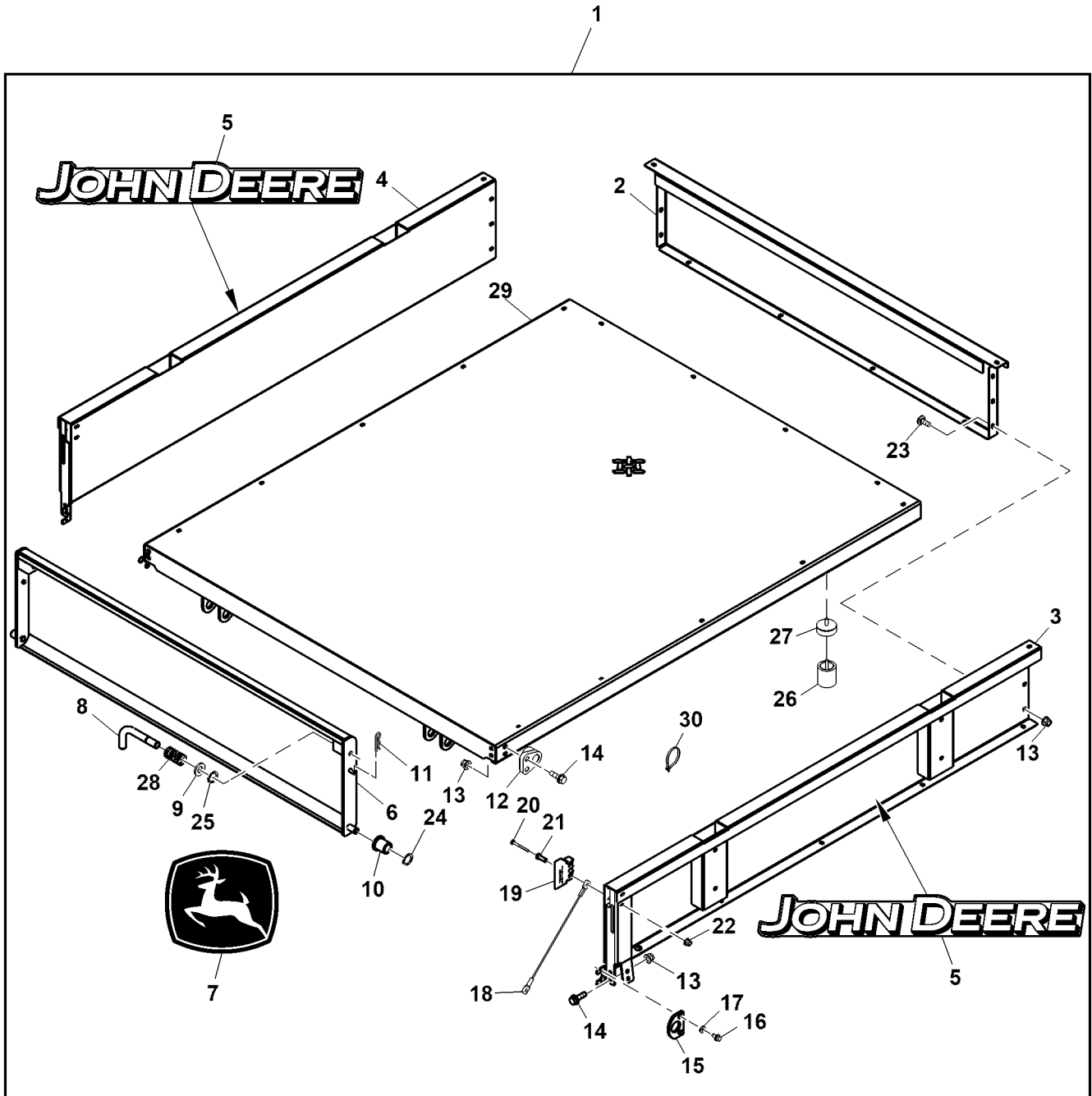




Key	Part No.	Part Name	Qty.	Serial No.	Remarks
1	M131058	Channel	4		
2	M141766	Label	2		John Deere Cargo Box
	TCU29985	Label	2		USE WITH BTC10262; John Deere Cargo Box
3	AM124343	Panel	1		RH
4	JD5714	Label	1		
5	AM124345	Tail Gate	1		
6	M131071	Bushing	4		
7	A11318	Snap Ring	4		
8	M141826	Support	2		
9	37M7458	Screw	4		M6 X 12
10	M129926	Pivot	2		
11	0289109	Washer	4		
12	14M7396	Lock Nut	48		M8
13	J16931	Pin	2		
14	TCA19654	Cable	2		SUB FOR M131476
15	03M7223	Bolt	2		M8 X 60
16	M131000	Pin Fastener	2		
17	19M7867	Screw	4		M8 X 25
18	AM124344	Panel	1		LH
19	03M7184	Bolt	38		M8 X 20
20	14M7298	Flange Nut	2		M8
21	TCU22625	Bumper	2		
22	AM130443	Platform	1		
23	M131059	Panel	1		Front
24	<b>BM20006</b>	<b>Kit</b>	<b>1</b>		<b>ORDER TCB11479</b>
	TCB11479	Box	1		ORDER BTC10262

Cargo Box (045001 -)  
Cargo Box (045001 -)  
Cargo Box (045001 -)  
Cargo Box (045001 -)  
Cargo Box (045001 -)  
Cargo Box (045001 -)

PU34960 A.1

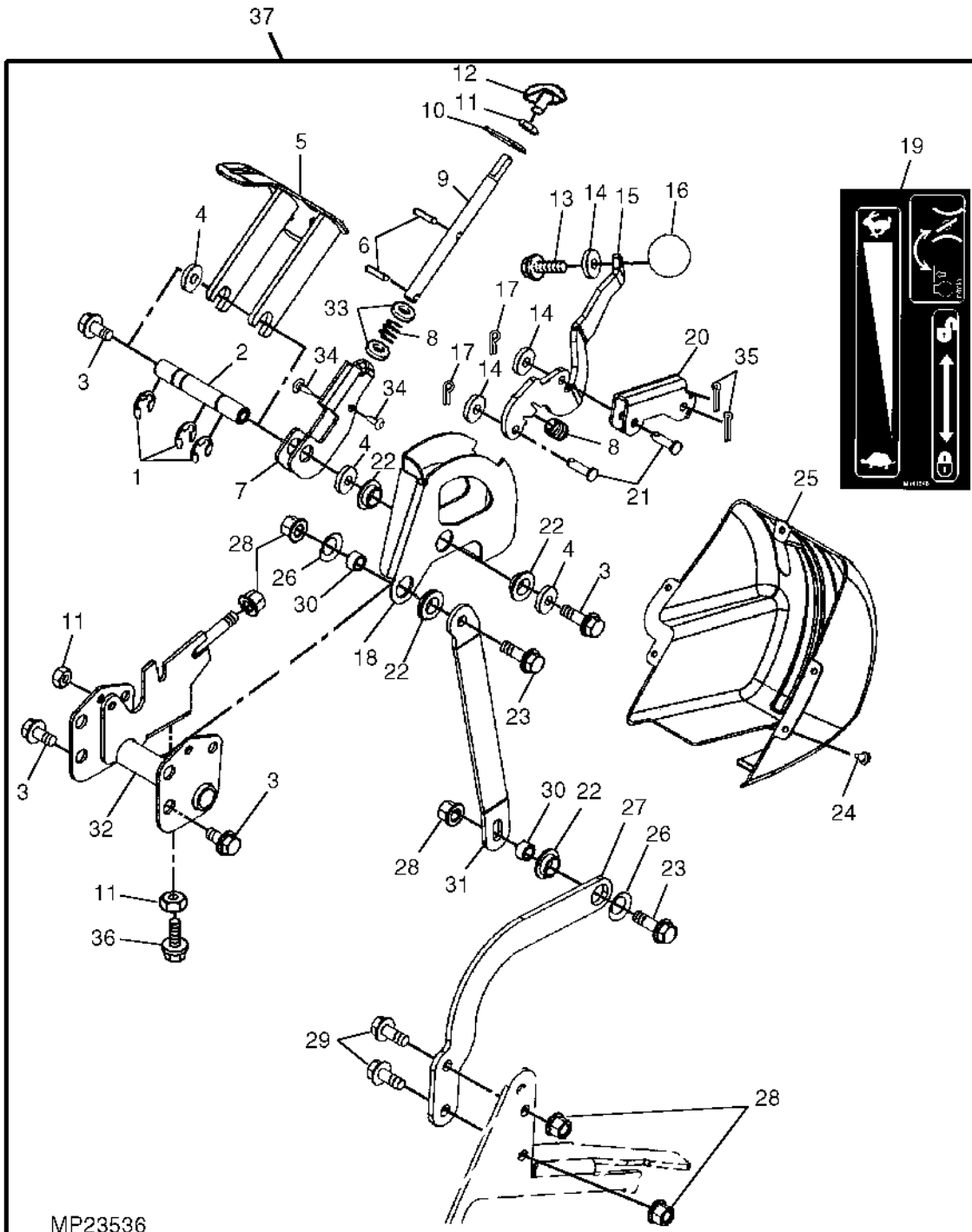


PU34960

Key	Part No.	Part Name	Qty.	Serial No.	Remarks
1	BTC10262	Box	1		
2	M131059	Panel	1		Front
3	TCA19670	Panel	1		RH
4	TCA19671	Panel	1		LH
5	TCU29985	Label	2		John Deere Cargo Box
6	TCA19672	Panel	1		
7	JD5714	Label	1		
8	TCU27238	Pin	2		
9	24M7240	Washer	2		13 X 25 X 3 mm
10	M131071	Bushing	2		Tailgate
11	J16931	Pin	2		
12	M129926	Pivot	2		Tailgate Release
13	14M7396	Lock Nut	32		M8
14	19M7867	Screw	8		M8 X 25
15	M141826	Support	2		Tailgate
16	37M7458	Screw	4		M6 X 12
17	24M7054	Washer	4		6.400 X 12 X 1.600 mm, SUB FOR APPL TH104635
18	TCA19654	Cable	2		Tailgate Support
19	TCU27167	Catch	2		Cargo Box Tailgate
20	03M7378	Bolt	4		M6 X 60
21	TCU27296	Spacer	4		
22	14M7397	Lock Nut	4		M6
23	03M7184	Bolt	22		M8 X 20
24	A11318	Snap Ring	2		
25	M43940	Snap Ring	2		
26	TCU22625	Bumper	2		
27	M143177	Bumper	2		
28	E90802	Spring	1		
29	TCA19673	Platform	1		
30	R76477	Tie Band	1		

Throttle/Governor Control Kit  
Throttle/Governor Control Kit  
Throttle/Governor Control Kit  
Throttle/Governor Control Kit  
Throttle/Governor Control Kit  
Throttle/Governor Control Kit

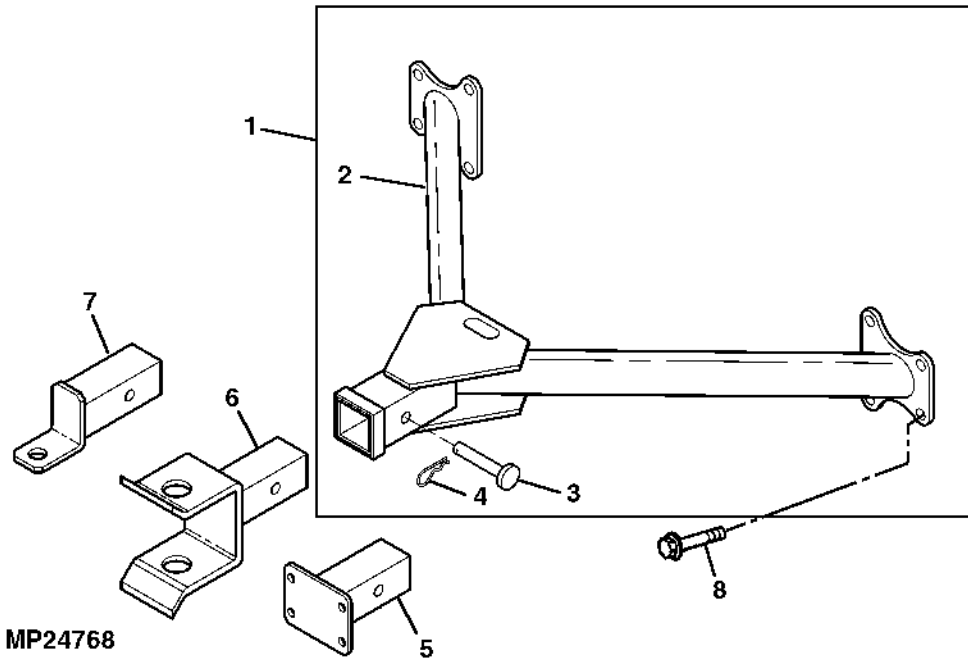
MP23536 A.1



Key	Part No.	Part Name	Qty.	Serial No.	Remarks
1	R26871	Snap Ring	3		
2	M141402	Pin Fastener	1		
3	19M7865	Screw	6		M8 X 16
4	24M7044	Washer	3		13 X 20 X 2 mm
5	AM130000	Yoke	1		SUB FOR VGA10725
6	34M7027	Spring Pin	2		4 X 20 mm
7	M142511	Guide	1		
8	L56426	Compression Spring	2		
9	M141408	Rod	1		
10	M141744	Plate	1		
11	14M7151	Nut	3		M8
12	M141743	Knob	1		
13	19M8648	Screw	1		M6 X 16
14	24M7088	Washer	3		6.600 X 12 X 1.600 mm
15	M141471	Handle	1		SUB FOR VGA10729, Lock
16	M84967	Knob	1		
17	11M7009	Cotter Pin	2		2 X 16 mm
18	AM124534	Housing	1		SUB FOR VGA10724
19	M141546	Label	1		Throttle / Governor
20	M141506	Cam	1		SUB FOR VGA10730
21	M72069	Pin Fastener	2		
22	M129855	Washer	4		
23	19M7867	Screw	2		M8 X 25
24	37M7067	Screw	5		
25	M141431	Cover	1		
26	M46935	Spring Washer	2		
27	M129955	Arm	1		SUB FOR VGA10727
28	14M7396	Lock Nut	5		M8
29	19M7866	Screw	2		M8 X 20
30	M131444	Washer	2		
31	M141401	Link	1		SUB FOR VGA10728
32	AM130001	Bracket	1		SUB FOR VGA10726
33	24M7096	Washer	2		10.500 X 18 X 1.600 mm
34	T72287	Plug	2		
35	11M7015	Cotter Pin	2		3.200 X 25 mm
36	19M7868	Screw	1		M8 X 30
37	<b>BM19955</b>	<b>Kit</b>	<b>1</b>		

Rear Hitch Receiver  
 Rear Hitch Receiver  
 Rear Hitch Receiver  
 Rear Hitch Receiver  
 Rear Hitch Receiver  
 Rear Hitch Receiver

MP24768 A.1

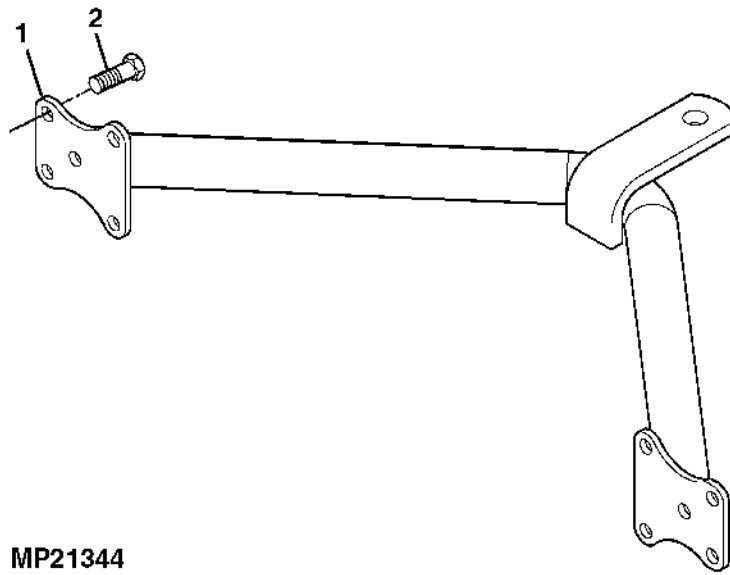


Key	Part No.	Part Name	Qty.	Serial No.	Remarks
1	BM20502	Kit	1		
2	AM128943	Hitch	1		
3	45M7042	Pin Fastener	1		12 X 50 mm
4	A15147	Spring Locking Pin	1		
5	AM128945	Hitch	1		Pintle
6	AM129971	Hitch	1		Tube
7	AM128944	Hitch	1		Ball Mounting
8	19M7790	Screw	8		M12 X 35

Rear Hitch  
 Rear Hitch  
 Rear Hitch  
 Rear Hitch  
 Rear Hitch  
 Rear Hitch



MP21344 A.1

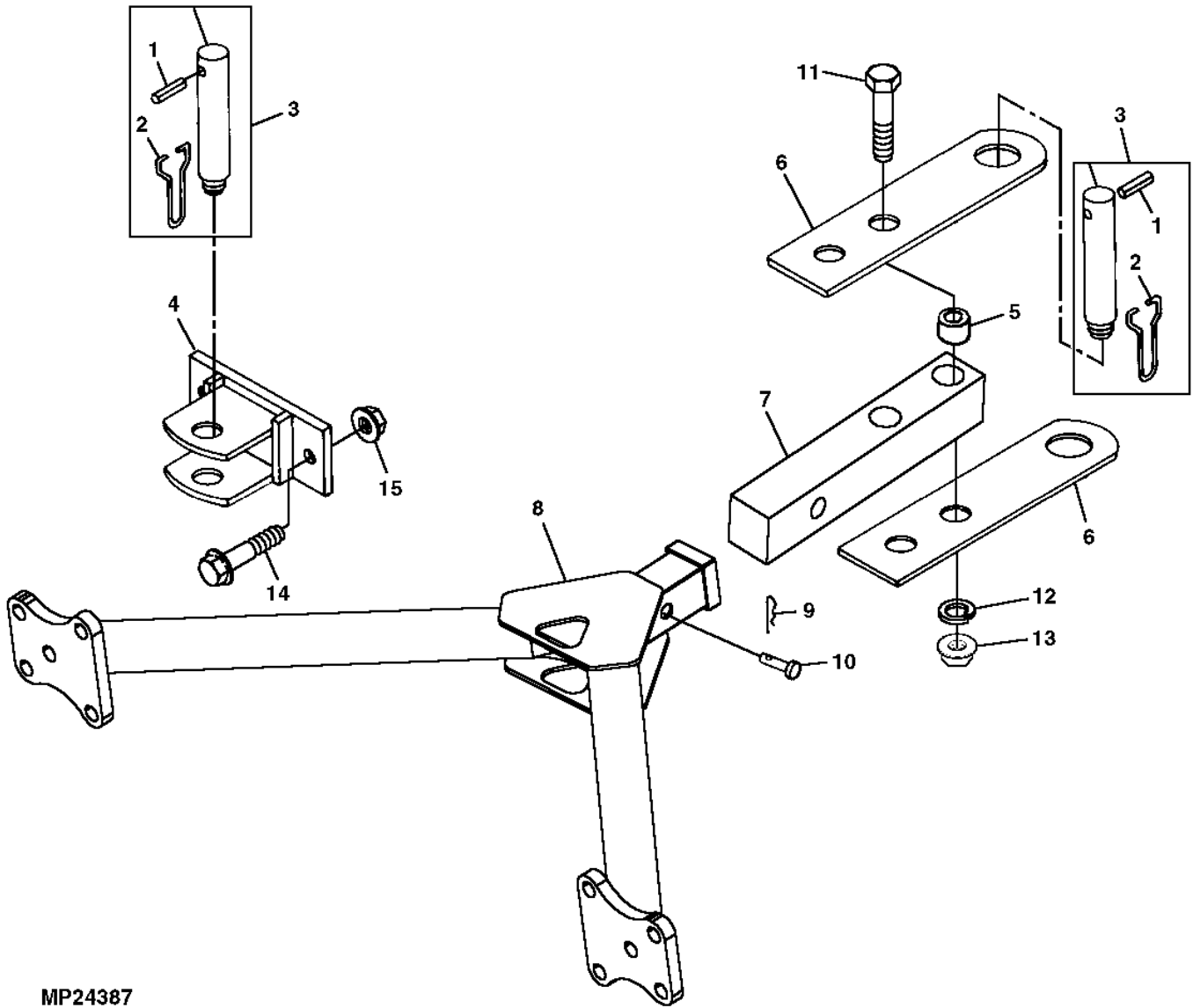


**MP21344**

Key	Part No.	Part Name	Qty.	Serial No.	Remarks
1	AUC12924	Hitch	1		SUB FOR AM124530
2	19M7788	Screw	8		M12 X 25

Hitches (For Europe)  
Hitches (For Europe)  
Hitches (For Europe)  
Hitches (For Europe)  
Hitches (For Europe)  
Hitches (For Europe)

MP24387 A.1



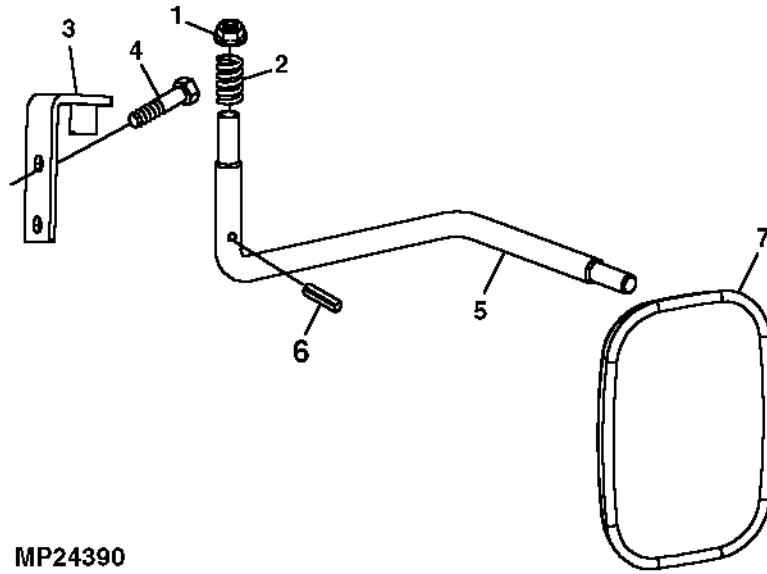
MP24387



Key	Part No.	Part Name	Qty.	Serial No.	Remarks
1	CH11503	Pin	1		
2	M805503	Pin	1		
3	AM127219	Quick Lock Pin	2		SUB FOR AM878036
4	AM118032	Hitch	1		Front Tow
5	M145129	Spacer	4		
6	M118849	Drawbar	2		
7	M145022	Bar	1		SUB FOR VGA10418
8	AM128943	Hitch	1		SUB FOR VGA10423, Receiver
9	A15147	Spring Locking Pin	1		
10	45M7042	Pin Fastener	1		12 X 50 mm
11	19H2827	Cap Screw	2		3/4" X 4-3/4"
12	12H236	Lock Washer	2		3/4"
13	14H1058	Nut	2		3/4"
14	19M7789	Screw	2		M12 X 30
15	14M7401	Lock Nut	2		M12

Rear View Mirror, 4-Post Roll-Gard™  
 Rear View Mirror, 4-Post Roll-Gard™  
 Rear View Mirror, 4-Post Roll-Gard™  
 Rear View Mirror, 4-Post Roll-Gard™  
 Rear View Mirror, 4-Post Roll-Gard™  
 Rear View Mirror, 4-Post Roll-Gard™

MP24390 A.1

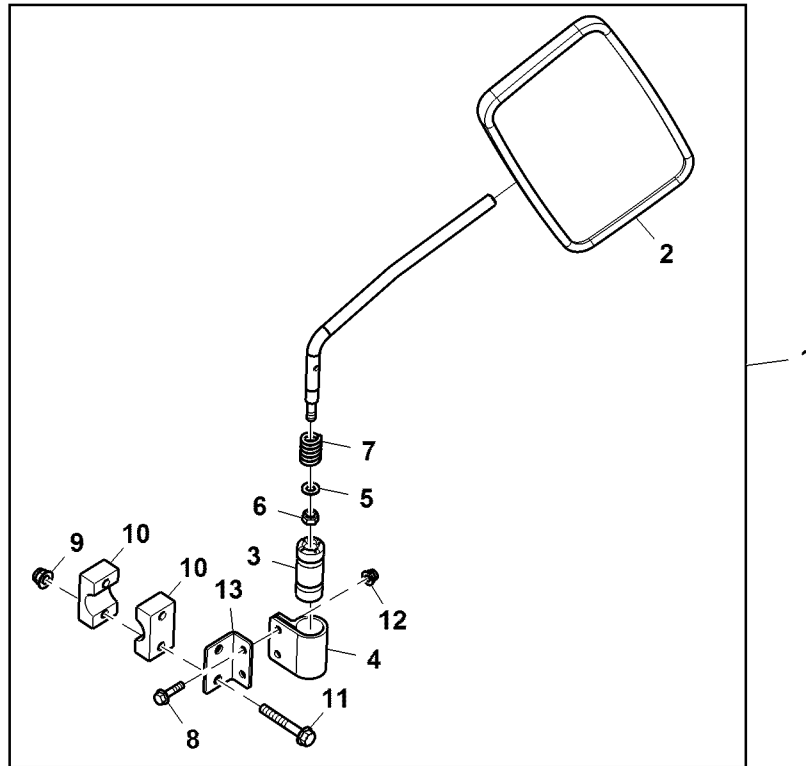


**MP24390**

Key	Part No.	Part Name	Qty.	Serial No.	Remarks
1	14M7465	Lock Nut	2	M10	
2	M142669	Compression Spring	2		
3	AUC11977	Bracket	2		SUB FOR AM131009
4	19M7865	Screw	4	M8 X 16	
5	M130779	Arm	1	LH	
	M130778	Arm	1	RH	
6	34M7027	Spring Pin	2	4 X 20 mm	
7	AL58554	Rear View Mirror	2		

Mirror Kit  
 Mirror Kit  
 Mirror Kit  
 Mirror Kit  
 Mirror Kit  
 Mirror Kit

PU20620 A.1

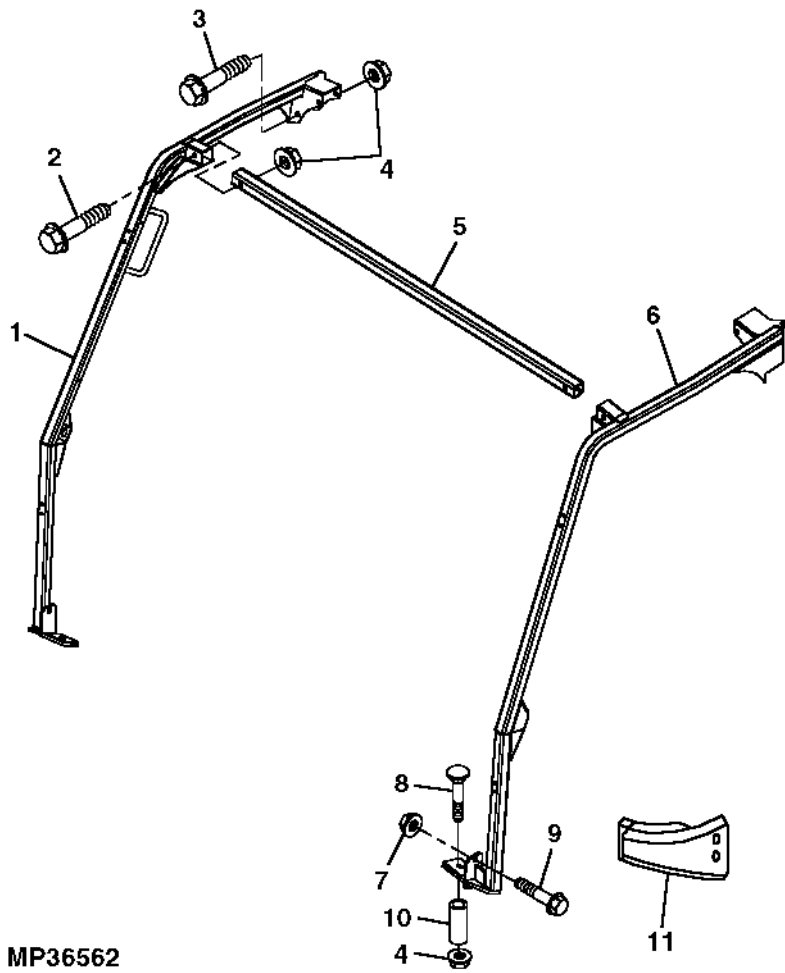


PU20620

Key	Part No.	Part Name	Qty.	Serial No.	Remarks
1	BTC10397	Mirror Kit	1		
2	HF620026167	Rear View Mirror	1		
3	HF790010050	Sleeve	1		
4	HF798025200	Bracket	1		
5	24M7055	Washer	1		8.400 X 16 X 1.600 mm
6	14M7166	Lock Nut	1		M8
7	M87303	Compression Spring	1		
8	19M7863	Screw	2		M6 X 25
9	14M7396	Lock Nut	2		M8
10	TCU26540	Block Clamp	2		
11	19M7979	Screw	2		M8 X 55
12	14M7397	Lock Nut	2		M6
13	TCU29438	Bracket	1		Mirror Mount

Four Post RollGard™ (- 060000)  
Four Post RollGard™ (- 060000)  
Four Post RollGard™ (- 060000)  
Four Post RollGard™ (- 060000)  
Four Post RollGard™ (- 060000)  
Four Post RollGard™ (- 060000)

MP36562 A.1

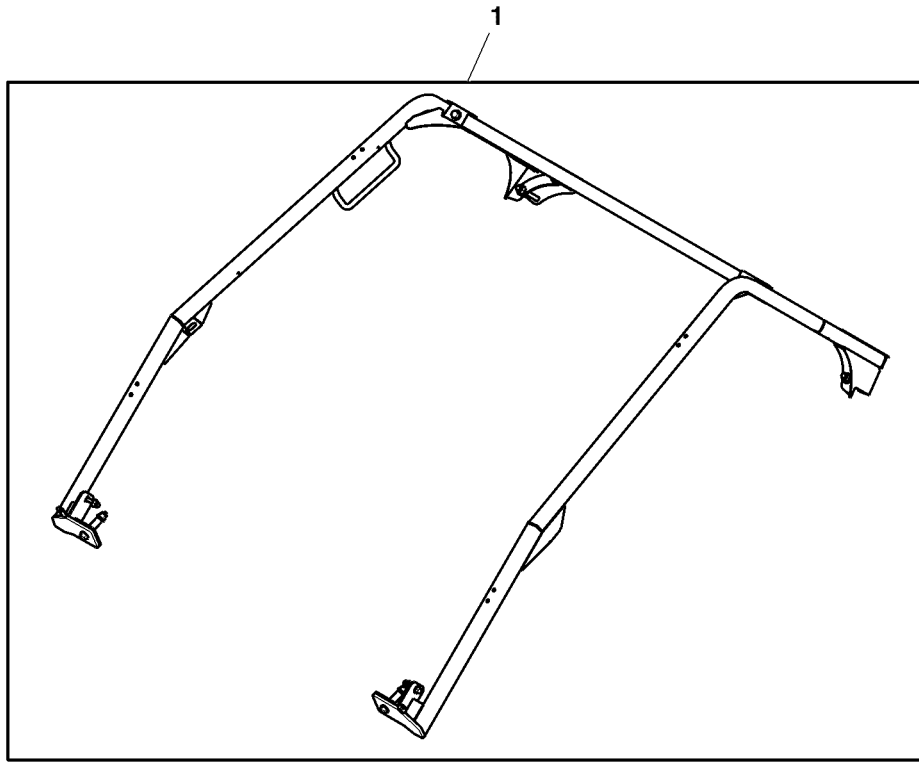


MP36562

Key	Part No.	Part Name	Qty.	Serial No.	Remarks
1	VGA10292	Support	1		(A) RH
2	19M7816	Screw	2		M12 X 65, (A)
3	19M7820	Screw	4		M12 X 100, (A)
4	14M7401	Lock Nut	8		M12, (A)
5	VG10657	Support	1		(A) CENTER
6	VGA10291	Support	1		(A) LH
7	14M7465	Lock Nut	2		M10, (A)
8	19M7819	Screw	2		M12 X 90, (A)
9	19M8292	Screw	2		M10 X 50, (A)
10	M129894	Spacer	2		(A)
11	M130829	Cap	1		LH (SHOWN) (OPTIONAL, W/ROPS CLEARANCE)
	M130828	Cap	1		RH (OPTIONAL, W/ROPS CLEARANCE)
..	<b>VGB10030</b>	<b>Kit</b>	<b>1</b>		<b>(WHOLE GOODS) 4-POST ROPS (INCLUDES PARTS MARKED (A))</b>

Attachment, 4-Post ROPS Conversion Kit  
 Attachment, 4-Post ROPS Conversion Kit  
 Attachment, 4-Post ROPS Conversion Kit  
 Attachment, 4-Post ROPS Conversion Kit  
 Attachment, 4-Post ROPS Conversion Kit  
 Attachment, 4-Post ROPS Conversion Kit

BTC10091 A.1



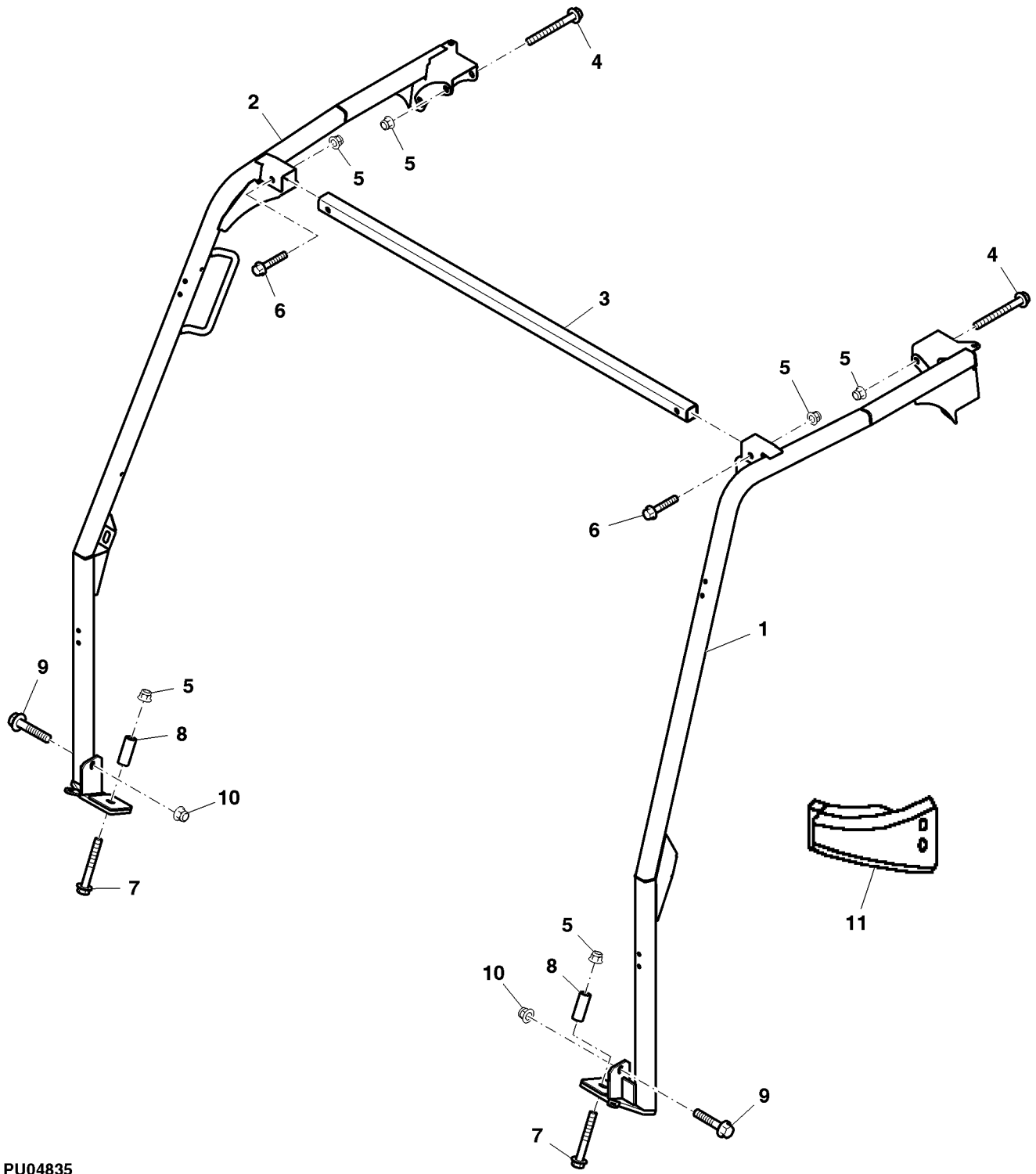
BTC10091

Key	Part No.	Part Name	Qty.	Serial No.	Remarks
1	BTC10091	ROPS	1		



- Four-Post Roll-Guard (060001 -)
- Four-Post Roll-Guard (060001 -)
- Four-Post Roll-Guard (060001 -)
- Four-Post Roll-Guard (060001 -)
- Four-Post Roll-Guard (060001 -)
- Four-Post Roll-Guard (060001 -)

PU04835 A.1



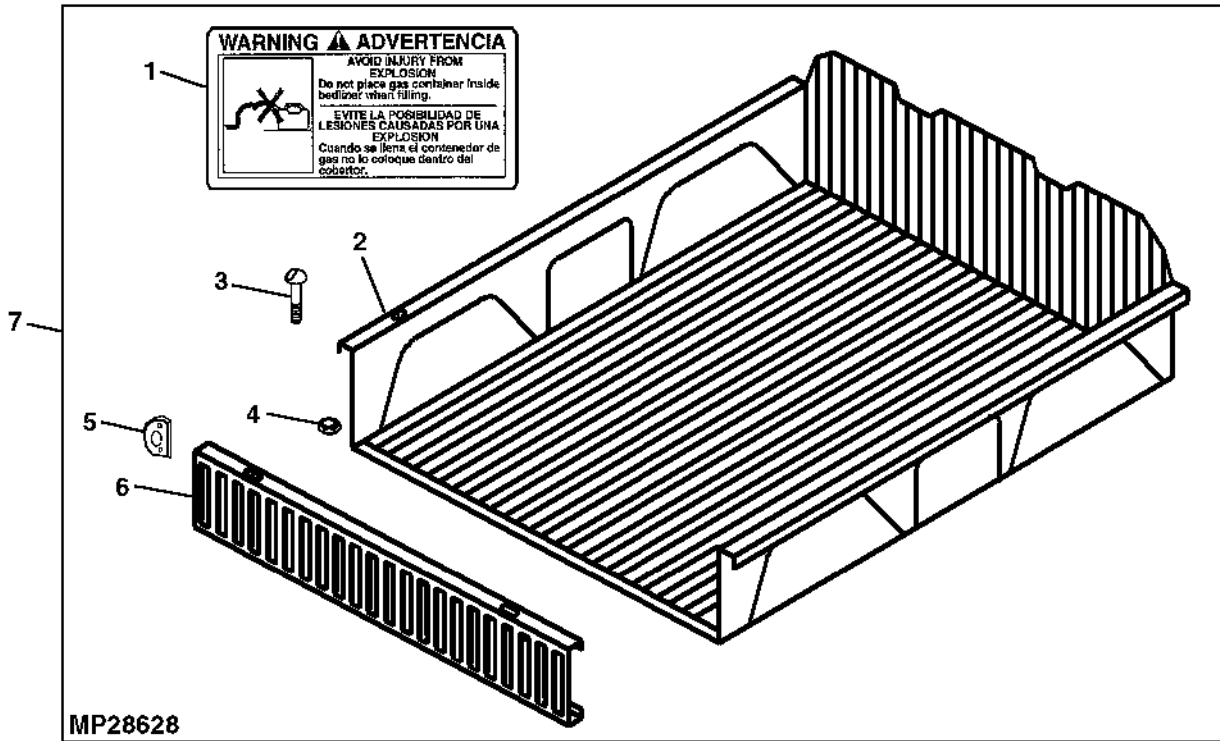
PU04835



Key	Part No.	Part Name	Qty.	Serial No.	Remarks
1	TCA21291	Support	1		LH
2	TCA21292	Support	1		RH
3	TCU31167	Structural Tube	1		
4	19M7837	Screw	4		M12 X 110
5	14M7401	Lock Nut	8		M12
6	19M7816	Screw	2		M12 X 65
7	19M7819	Screw	2		M12 X 90
8	M129894	Sleeve	2		
9	19M8292	Screw	2		M10 X 50
10	14M7465	Lock Nut	2		M10
11	M130828	Cap	1		RH
	M130829	Cap	1		LH
12	TCA26273	Kit	1		Not Illustrated, Hardware Roof

Bed Liner  
 Bed Liner  
 Bed Liner  
 Bed Liner  
 Bed Liner  
 Bed Liner

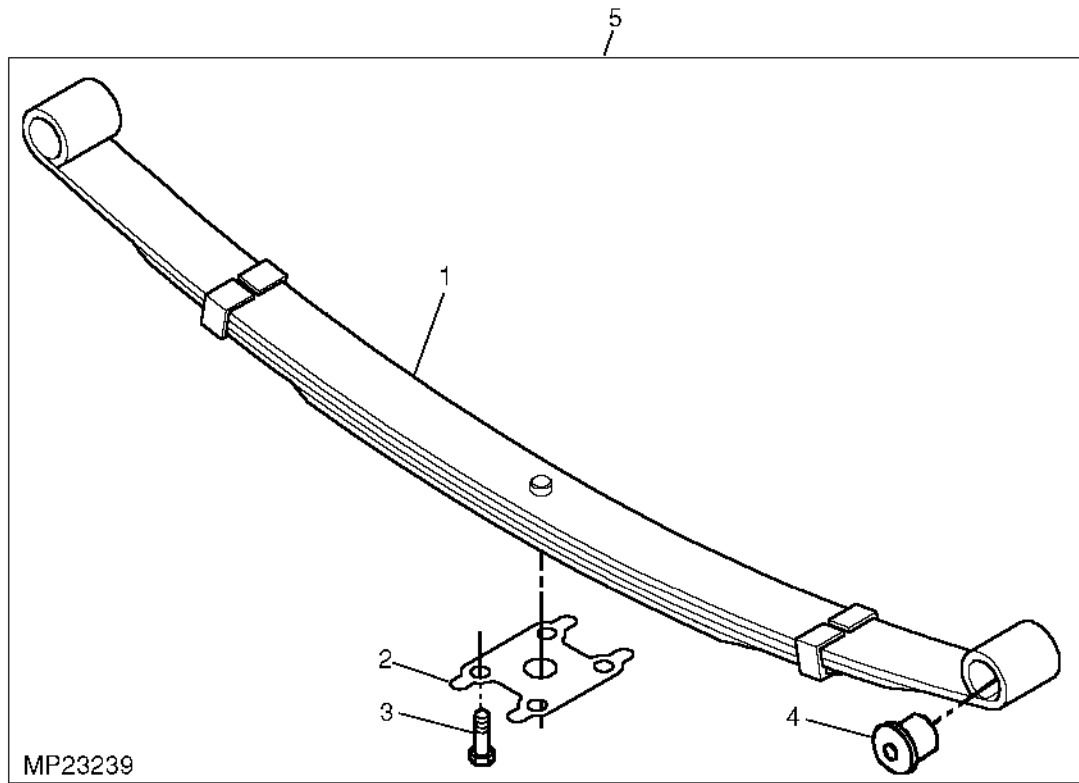
MP28628 A.1



Key	Part No.	Part Name	Qty.	Serial No.	Remarks
1	VG11082	Label	1		Warning
2	VGA10609	Lining	1		Cargo Box
3	21M7322	Screw	5		M6 X 20
4	14M7550	Lock Nut	5		M6
5	VG10844	Plate	2		Support
6	VG10843	Lining	1		Tailgate
7	<b>VGB10040</b>	<b>Kit</b>	1		

Heavy Duty Leaf Springs  
 Heavy Duty Leaf Springs  
 Heavy Duty Leaf Springs  
 Heavy Duty Leaf Springs  
 Heavy Duty Leaf Springs  
 Heavy Duty Leaf Springs

MP23239 A.1

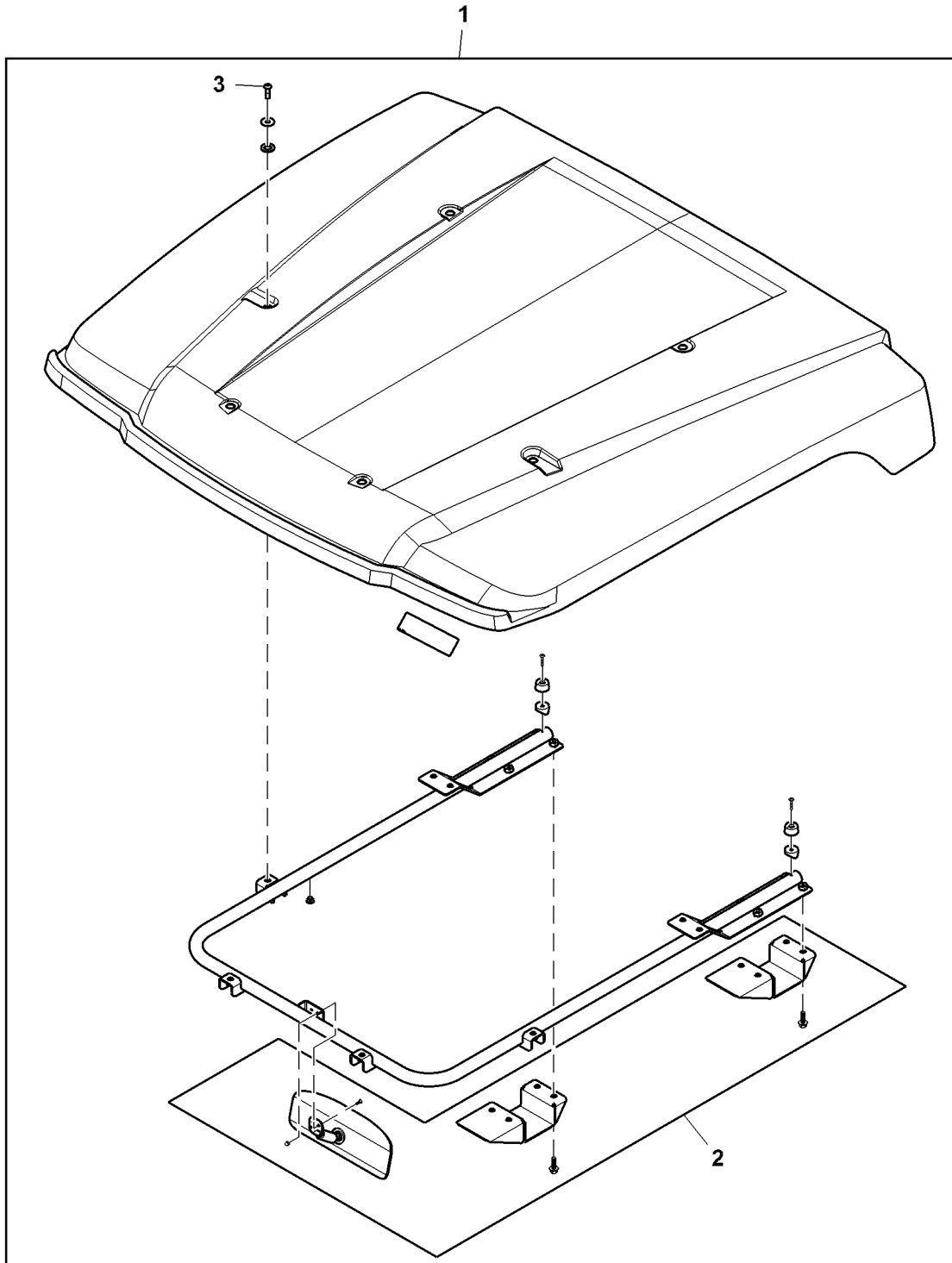


Key	Part No.	Part Name	Qty.	Serial No.	Remarks
1	M141503	Leaf Spring	2		
2	M142625	Lock Plate	2		
3	19M7753	Cap Screw	8		M12 X 70
4	M131435	Isolator	8		Suspension
5	<b>BM20433</b>	<b>Kit</b>	1		

Canopy Kit W/ Rear View Mirror  
Canopy Kit W/ Rear View Mirror  
Canopy Kit W/ Rear View Mirror  
Canopy Kit W/ Rear View Mirror  
Canopy Kit W/ Rear View Mirror  
Canopy Kit W/ Rear View Mirror



PU22048 A.1



PU22048

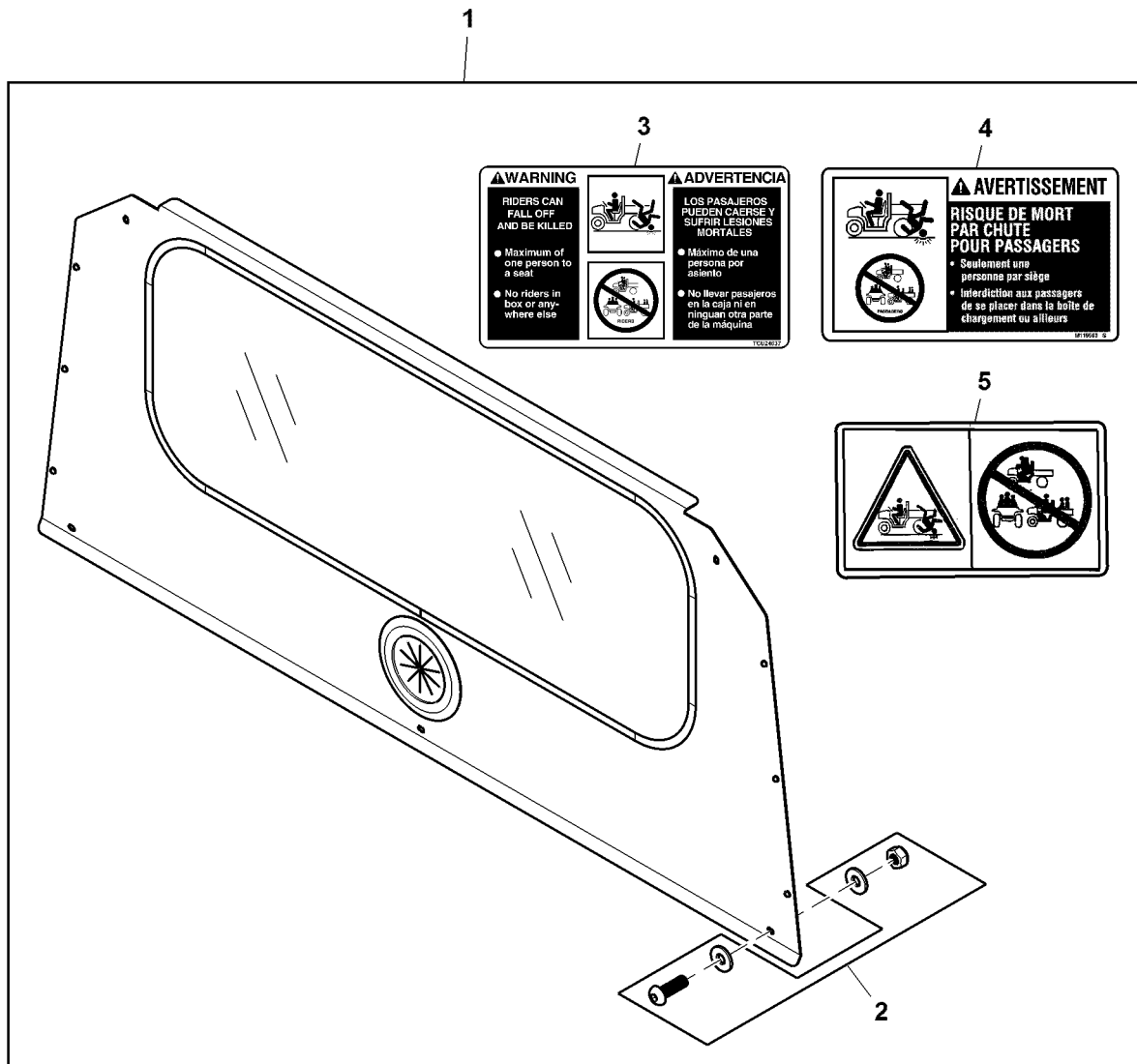
---

<i>Key</i>	<i>Part No.</i>	<i>Part Name</i>	<i>Qty.</i>	<i>Serial No.</i>	<i>Remarks</i>
1	BTC10943	Canopy	1		
2	TCA26271	Bracket Kit	1		
3	21M7660	Screw	6		M8 X 25

---

Rear Panel Kit  
 Rear Panel Kit  
 Rear Panel Kit  
 Rear Panel Kit  
 Rear Panel Kit  
 Rear Panel Kit

PU22122 A.1



PU22122

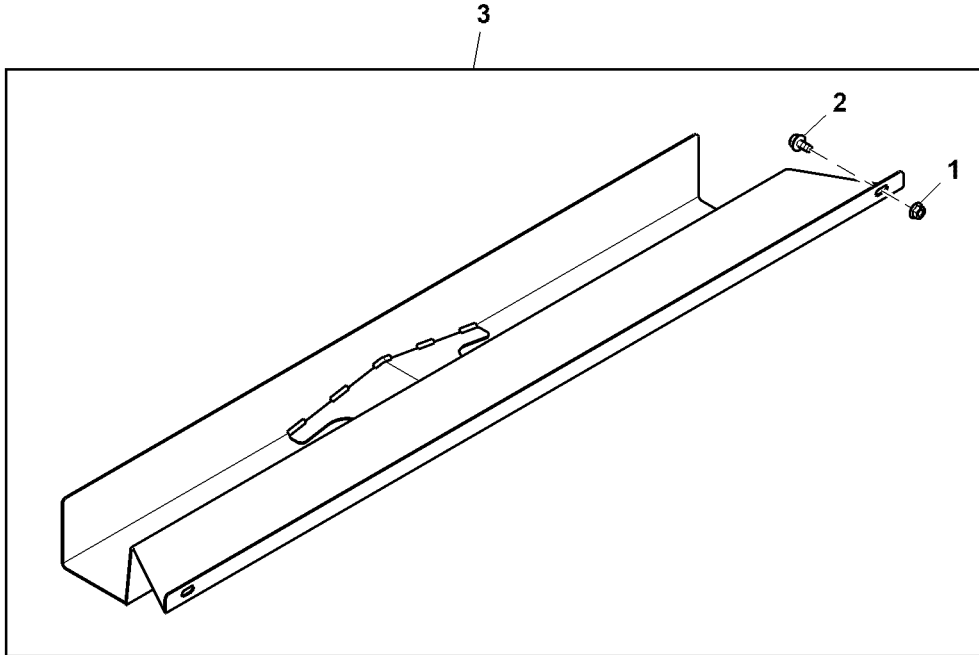
---

<i>Key</i>	<i>Part No.</i>	<i>Part Name</i>	<i>Qty.</i>	<i>Serial No.</i>	<i>Remarks</i>
1	BTC10944	Window Kit	1		
2	TCA26261	Hardware Kit	1		Rear Panel
3	TCU24637	Label	1		Warning, English/ Spanish
4	M119503	Label	1		Warning, French
5	MT3562	Label	1		Warning, Not for Canada and USA

---

Guard Kit  
 Guard Kit  
 Guard Kit  
 Guard Kit  
 Guard Kit  
 Guard Kit

TC397781 A.1



TC397781

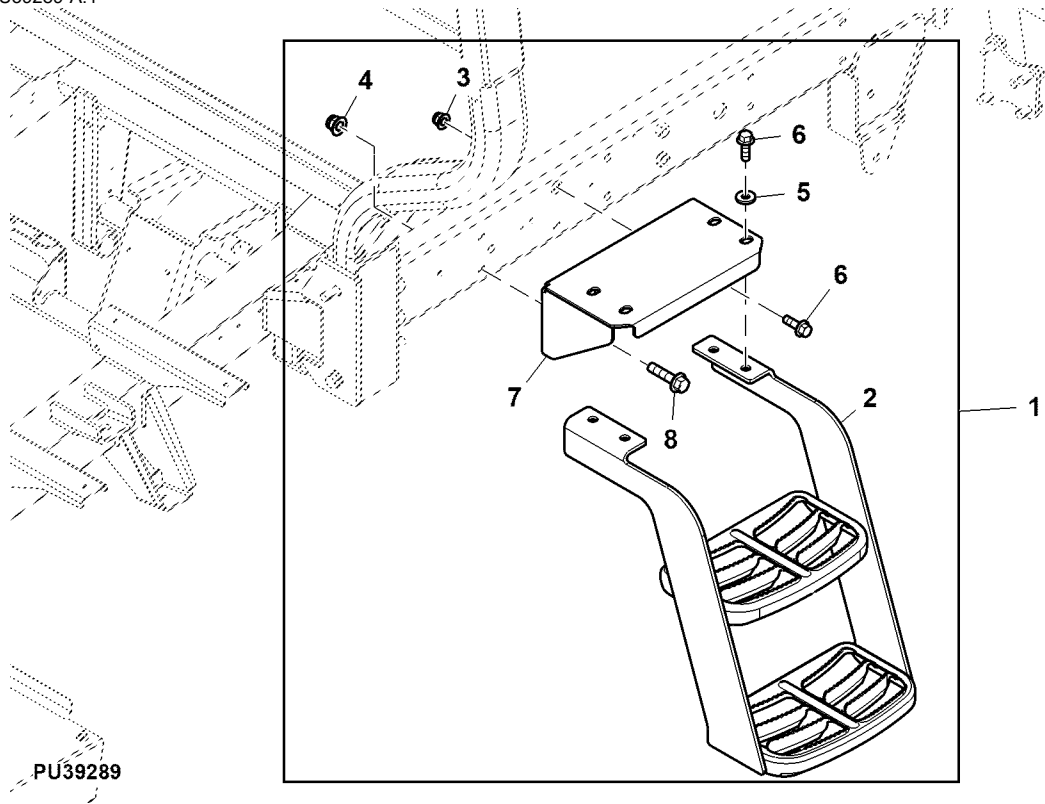
Key	Part No.	Part Name	Qty.	Serial No.	Remarks
1	14M7303	Flange Nut	2		M6
2	19M7774	Screw	2		M6 X 12
3	BUC10852	Guard Kit	1		Dirt Guard





Step Kit (080001 - )  
 Step Kit (080001 - )  
 Step Kit (080001 - )  
 Step Kit (080001 - )  
 Step Kit (080001 - )  
 Step Kit (080001 - )

PU39289 A.1

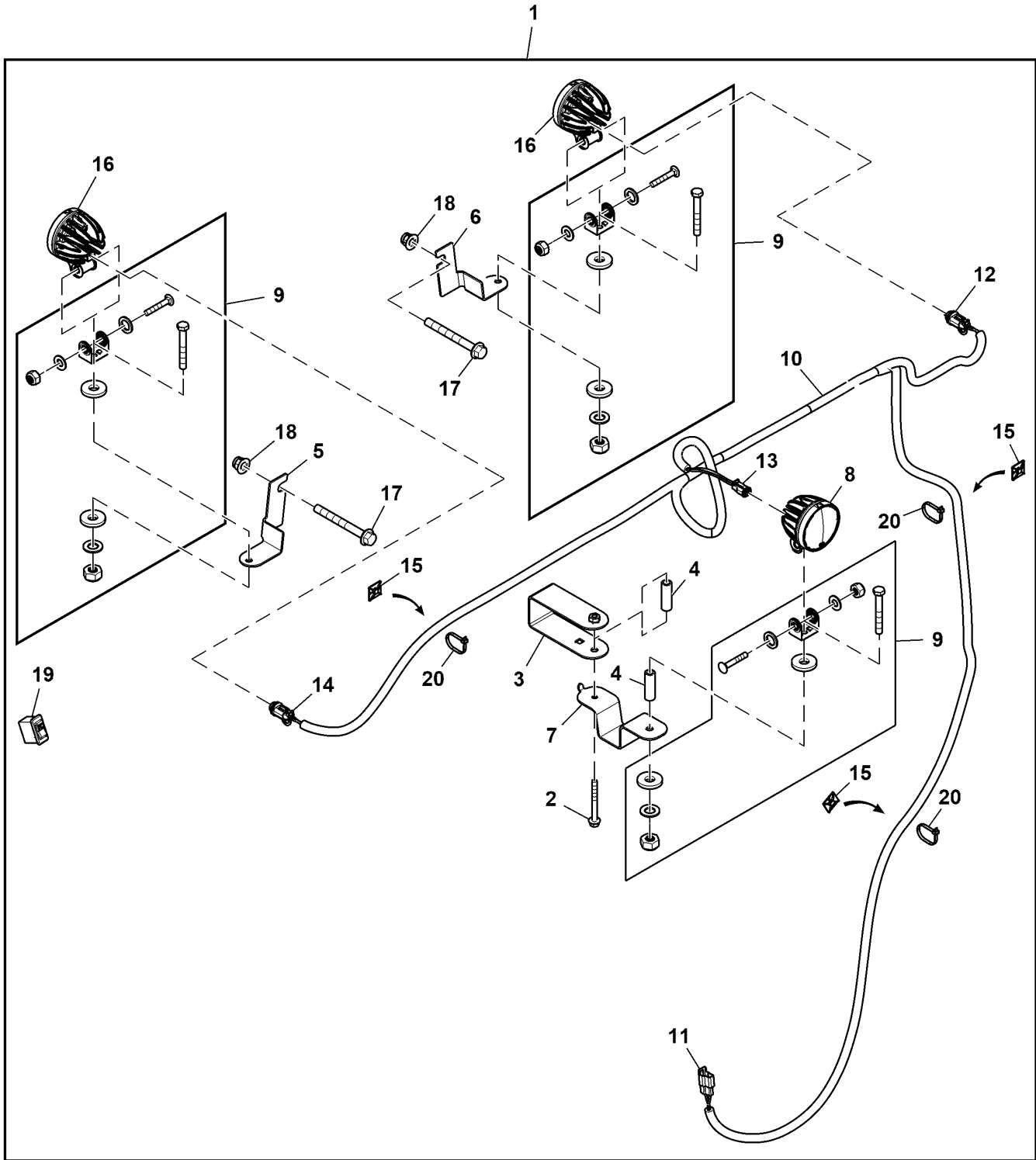


PU39289

Key	Part No.	Part Name	Qty.	Serial No.	Remarks
1	BUC10874	Step Kit	1		
2	SJ26757	Step	1		Footstep, LH
3	14M7465	Lock Nut	2		M10
4	14M7401	Lock Nut	3		M12
5	24M7213	Washer	4		10.500 X 25 X 4 mm
6	19M7786	Screw	6		M10 X 30
7	AUC16315	Step	1		Mounting Bracket
8	19M8306	Screw	3		M12 X 50

Light Kit  
Light Kit  
Light Kit  
Light Kit  
Light Kit  
Light Kit

PU46035 A.1



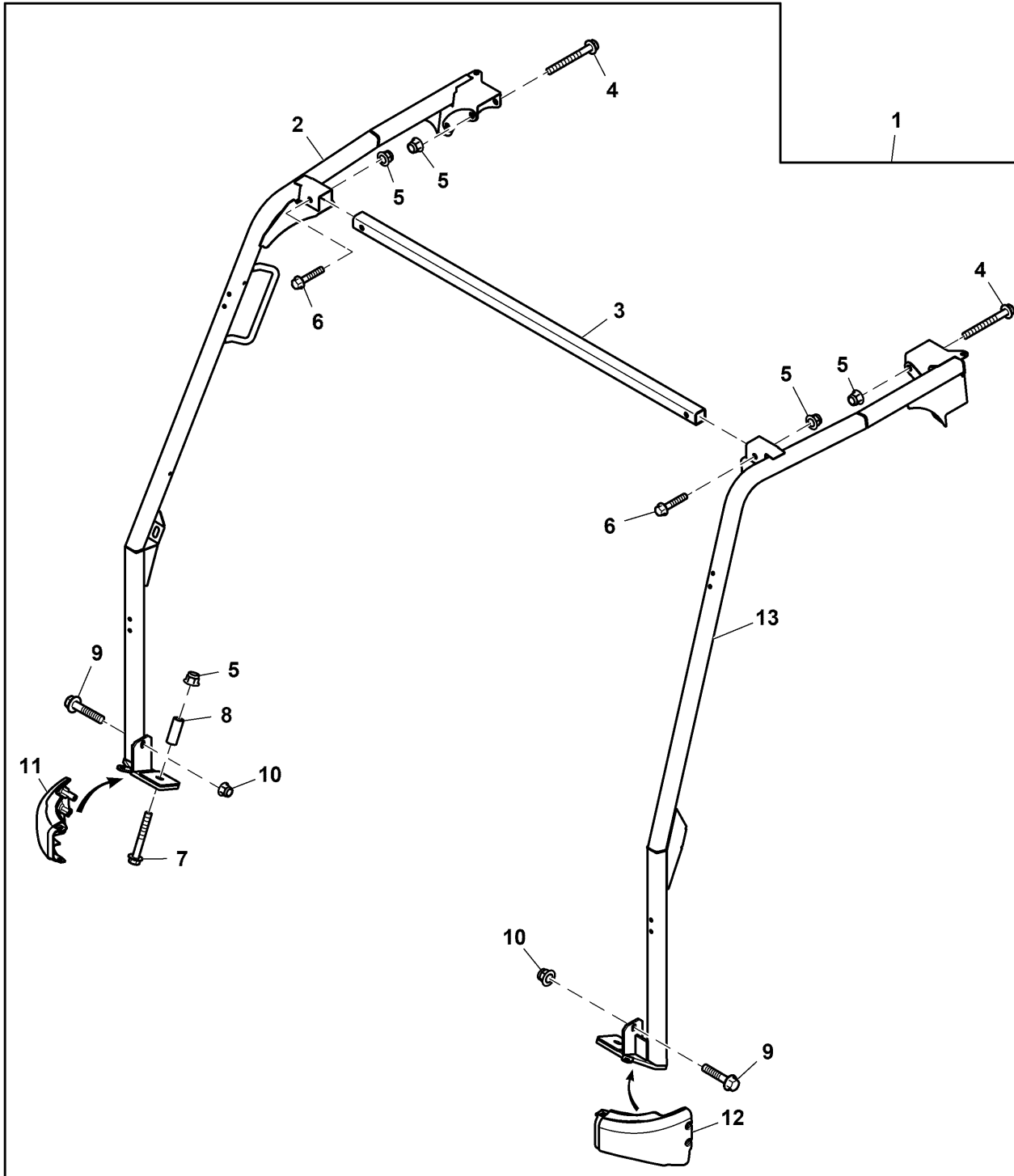
PU46035

Key	Part No.	Part Name	Qty.	Serial No.	Remarks
1	BUC11092	Light Kit	1		
2	19M8874	Screw	1		M8 X 75
3	AUC17107	Bracket	1		Center
4	CQ23837	Spacer	2		
5	UC26089	Bracket	1		LH
6	UC26090	Bracket	1		RH
7	UC26091	Bracket	1		Center
8	AUC13658	Floodlamp	1		12V
9	AUC14033	Hardware Kit	1		Floodlamp
10	AUC17343	Wiring Harness	1		
11	T28586	Elec. Connector Housing	1		XX0006-2, To Main Harness Interface
	57M11323	Elec. Connector Terminal	2		Cavity A, B
12	57M7534	Elec. Connector Housing	1		XE0005-1, Work Light, RH
	R78065	Elec. Connector Terminal	2		Cavity 1,2
	57M8022	Elec.Connect Locking Device	1		
13	57M7534	Elec. Connector Housing	1		XE0005-2, Work Light, Center
	R78065	Elec. Connector Terminal	2		Cavity 1, 2
	57M8022	Elec.Connect Locking Device	1		
14	57M7534	Elec. Connector Housing	1		XE0005-3, Work Light, LH
	R78065	Elec. Connector Terminal	2		Cavity 1, 2
	57M8022	Elec.Connect Locking Device	1		
15	57M11210	Elec. Connector Accessory	6		
16	CXT13734	Floodlamp	2		Spot LED Near Pattern
17	19M7837	Screw	2		M12 X 110
18	14M7401	Lock Nut	2		M12
19	AM117324	Switch	1		Lights-High Beam
20	H77698	Tie Band	6		

4-Post Rollover Protective Structure Conversion Kit, Green  
 4-Post Rollover Protective Structure Conversion Kit, Green  
 4-Post Rollover Protective Structure Conversion Kit, Green  
 4-Post Rollover Protective Structure Conversion Kit, Green  
 4-Post Rollover Protective Structure Conversion Kit, Green



PU39447 A.1

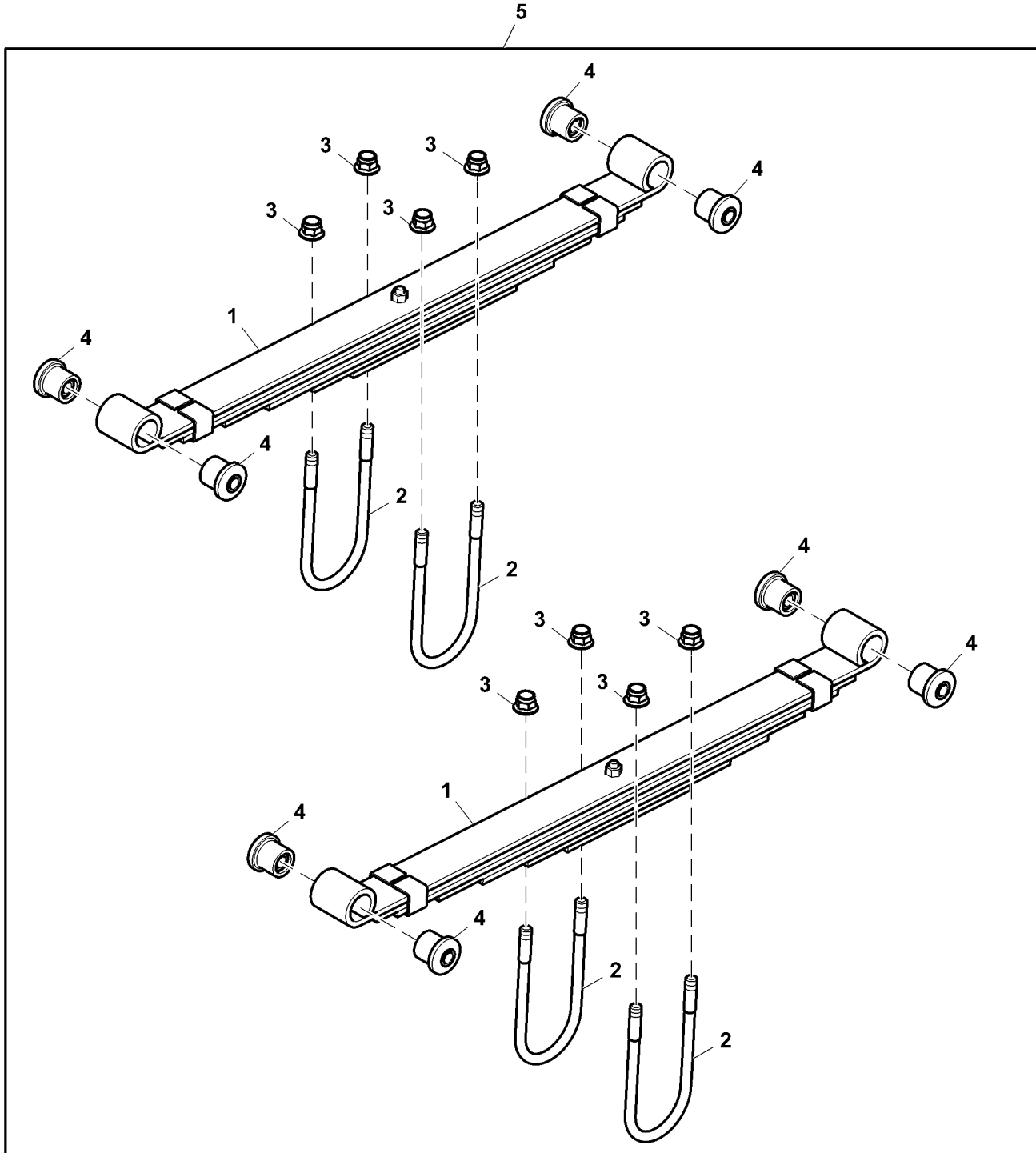


PU39447

Key	Part No.	Part Name	Qty.	Serial No.	Remarks
1	BTC10091	Kit	1		
2	TCA21292	Support	1		RH, ORDER AUC18395
	AUC18395	Support	1		RH
3	TCU31167	Structural Tube	1		
4	19M7837	Screw	4		M12 X 110
5	14M7401	Lock Nut	8		M12
6	19M7816	Screw	2		M12 X 65
7	19M7819	Screw	2		M12 X 90
8	M129894	Sleeve	2		
9	19M8292	Screw	2		M10 X 50
10	14M7465	Lock Nut	2		M10
11	M130828	Cap	1		RH
12	M130829	Cap	1		LH
13	TCA21291	Support	1		LH, ORDER AUC18394
	AUC18394	Support	1		LH

Heavy Duty Rear Leaf Spring Kit  
Heavy Duty Rear Leaf Spring Kit  
Heavy Duty Rear Leaf Spring Kit  
Heavy Duty Rear Leaf Spring Kit  
Heavy Duty Rear Leaf Spring Kit  
Heavy Duty Rear Leaf Spring Kit

PU28870 A.1



PU28870

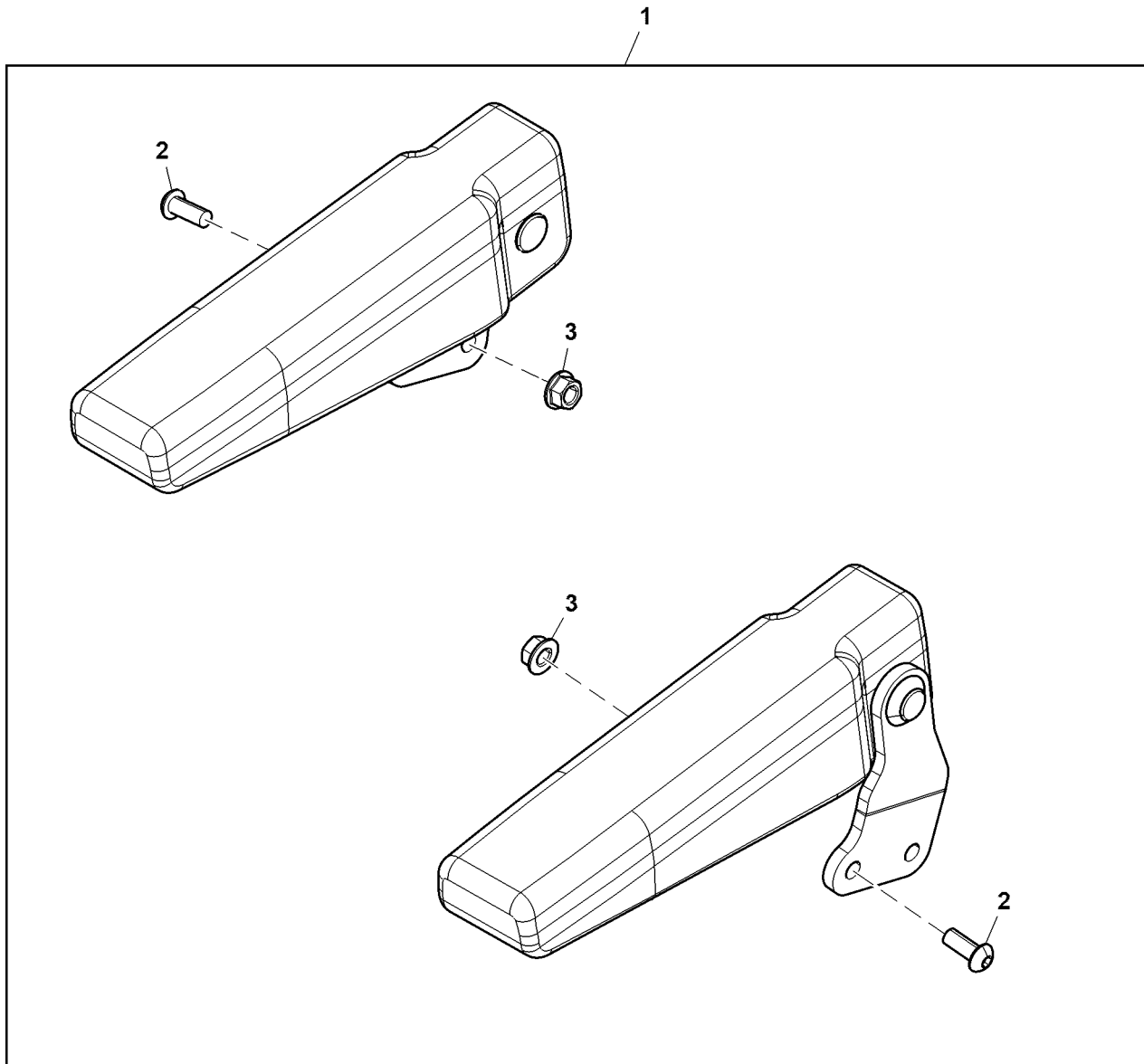
---

<i>Key</i>	<i>Part No.</i>	<i>Part Name</i>	<i>Qty.</i>	<i>Serial No.</i>	<i>Remarks</i>
1	TCA15548	Leaf Spring	2		
2	TCU19565	U-Bolt	4		
3	14M7401	Lock Nut	8		M12
4	M131435	Isolator	8		Suspension
5	TCB10910	Kit	1		

---

Armrest Kit  
Armrest Kit  
Armrest Kit  
Armrest Kit  
Armrest Kit  
Armrest Kit

BUC11279D A.1



BUC11279D



---

<i>Key</i>	<i>Part No.</i>	<i>Part Name</i>	<i>Qty.</i>	<i>Serial No.</i>	<i>Remarks</i>
1	BUC11279	Armrest Kit	1		
2	21M7572	Socket Head Screw	4		M8 X 20
3	14M7424	Flange Nut	4		M8

---



Sectional Pictorial Index  
 Index d'illustrations par sections.  
 Gruppenbildindex  
 Indice illustrato delle sezioni  
 Índice de ilustraciones por secciones  
 Avsnittsbildregister

MP63645 A.1

1-	344
2-	346
2-	348
3-	350

**⚠ WARNING**

**RIDERS CAN FALL OFF AND BE KILLED**


- Maximum of one person to a seat
- No riders in box or anywhere else





**⚠ ADVERTENCIA**

**LOS PASAJEROS PUEDEN CAERSE Y SUFRIR LESIONES MORTALES**

- Maximo de una persona por asiento
- No llevar pasajeros en la caja ni en ninguan otra parte de la maquina








**⚠ AVERTISSEMENT**

**RISQUE DE MORT PAR CHUTE POUR PASSAGERS**

- Seulement une personne par siège
- Interdiction aux passagers de se placer dans la boîte de chargement ou ailleurs

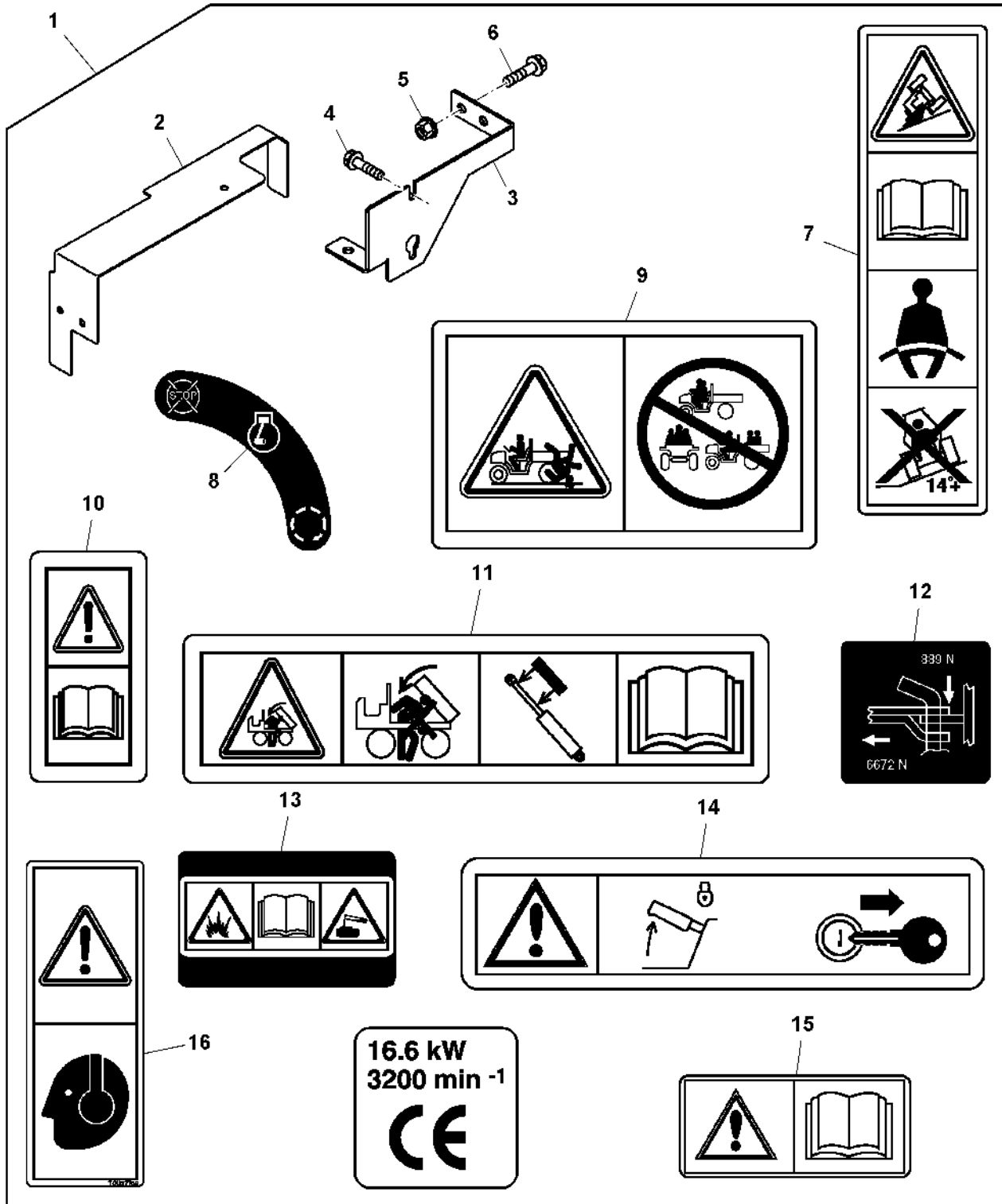
MP63645



Key	Part No.	Part Name	Qty.	Serial No.	Remarks
1A	M140591	Label	1	-060000	Large
1B	TCU29976	Label	1	060001-	Large
2	MT4391	Label	1		Warning, English / Spanish
3	JD5784	Label	1		
4A	M141700	Label	1	-060000	Small
4B	TCU29977	Label	1	060001-	Small
5	M141874	Label	1		Drawbar Load
6A	TCU21825	Label	1	-060000	
6B	TCU29983	Label	1	060001-	
7	M141913	Label	1		Warning, Spanish
8	TCU24637	Label	2		SUB FOR M119508; Warning
9	VG10911	Label	1		Fifth Lockout
10	M141504	Label	1		Ignition
11	M144925	Label	1		Control Panel
12	M134554	Label	1		Battery
13	M142772	Label	1		Caution
14	TCU24636	Label	2		SUB FOR M141701; Warning, Cylinder Lock
15	TCU27871	Label	1		B20 Modification
16A	TCU30383	Label	1	-060001	Load Center, Diesel
16B	TCU38498	Label	1	080001-	Load Center, Diesel
17	TCU29984	Label	1	060001-	

Labels Kit (For Europe)  
 Labels Kit (For Europe)  
 Labels Kit (For Europe)  
 Labels Kit (For Europe)  
 Labels Kit (For Europe)  
 Labels Kit (For Europe)

PU02338 A.1

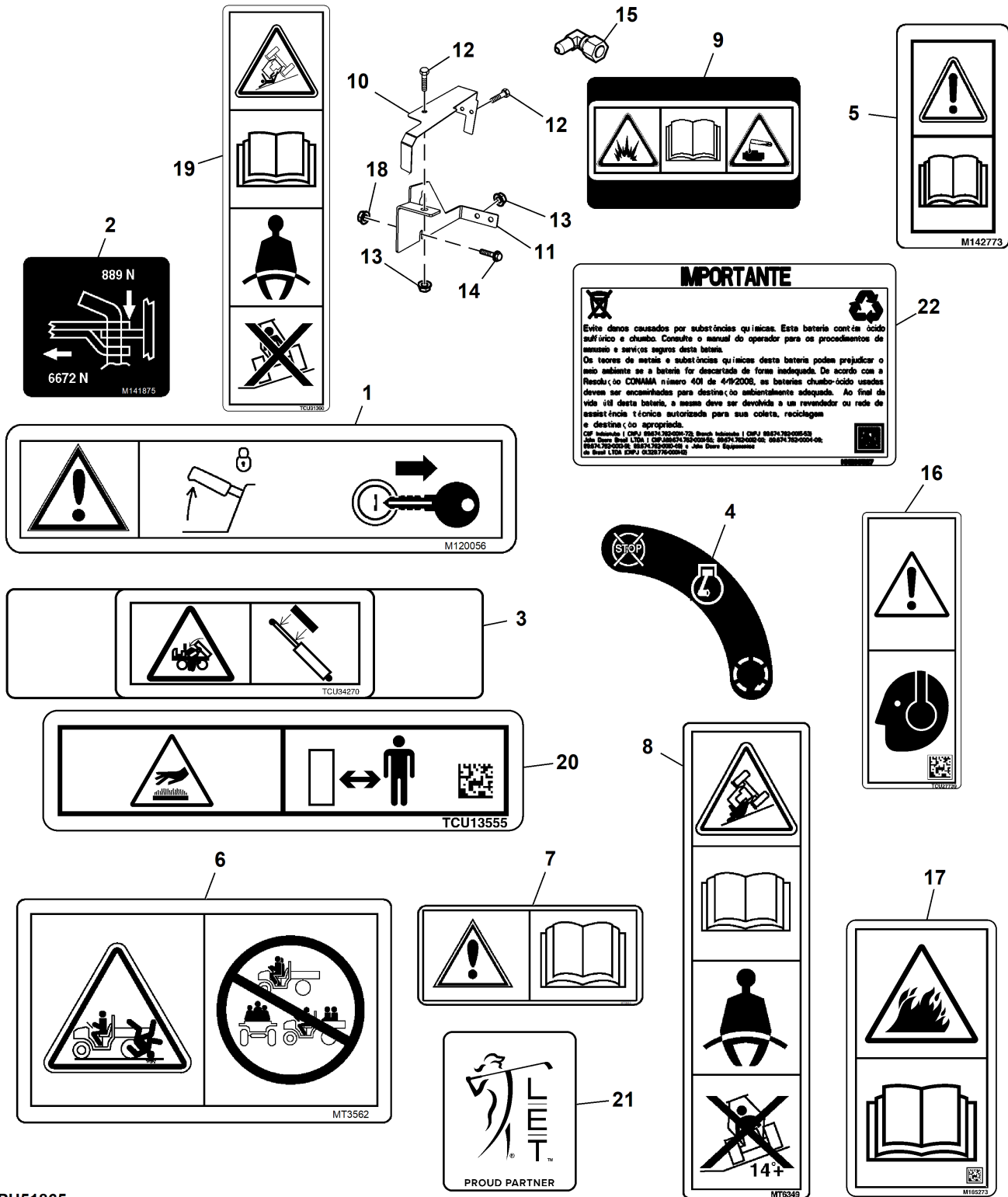


PU02338

Key	Part No.	Part Name	Qty.	Serial No.	Remarks
1	<b>BM20634</b>	<b>Label Kit</b>	<b>1</b>		
2	VG10677	Guard	1		Belt
3	VG10678	Support	1		Belt Guard
4	19M7867	Screw	1		M8 X 25
5	14M7397	Lock Nut	4		M6
6	19M7775	Screw	4		M6 X 16
7	MT6349	Label	1		Warning
8	M142317	Label	1		Ignition
9	MT3562	Label	1		Warning, No Riders
10	M142773	Label	1		Caution
11	M141954	Label	1		Warning
12	M141875	Label	1		Drawbar Load
13	MT6350	Label	1		Battery
14	M120056	Label	1		Caution
15	MT3563	Label	1		Caution
16	TCU27739	Label	1	045001-	Hearing Protection

Labels (Not for Canada and USA) (080001 - )  
 Labels (Not for Canada and USA) (080001 - )  
 Labels (Not for Canada and USA) (080001 - )  
 Labels (Not for Canada and USA) (080001 - )  
 Labels (Not for Canada and USA) (080001 - )  
 Labels (Not for Canada and USA) (080001 - )

PU51865 A.1



PU51865



Key	Part No.	Part Name	Qty.	Serial No.	Remarks
1	M120056	Label	1		Caution
2	M141875	Label	1		Drawbar Load
3	TCU34270	Label	2		Warning
4	M142317	Label	1		Ignition
5	M142773	Label	1		Read Operator's Manual
6	MT3562	Label	2		Warning, No Riders, No Text
7	MT3563	Label	1		Warning
8	MT6349	Label	1		Warning
9	MT6350	Label	1		Danger, Battery
10	TCU38665	Guard	1		SUB FOR TCU22836; Belt
11	TCU38666	Support	1		SUB FOR TCU22837; Engine Belt Guard
12	19M7862	Screw	3		M6 X 20
13	14M7608	Flange Nut	3		M6
14	19M7867	Screw	4		M8 X 25
15	15H197	Elbow Fitting	1		1/8"
16	TCU27739	Label	1		Hearing Protection
17	M165273	Label	1		Cleaning
18	14M7396	Lock Nut	2		M8
19	TCU31360	Label	1		
20	TCU13555	Label	1		
21	UC29273	Label	1		Ladies EU Tour
22	HXE33527	Label	1		Battery

Labels, French Canadian  
Labels, French Canadian  
Labels, French Canadian  
Labels, French Canadian  
Labels, French Canadian

PU41477 A.1

**AVERTISSEMENT**

**RISQUE DE MORT PAR CHÛTE POUR PASSAGERS**

- Seulement une personne par siège
- Interdiction aux passagers de se placer dans la boîte de chargement ou ailleurs

**AVERTISSEMENT**

Pour éviter un mauvais fonctionnement des freins, utiliser le liquide de frein préconisé dans le livret d'entretien.

Nettoyer le bouchon de remplissage avant de retirer. Utiliser uniquement du liquide de frein DOT 3 d'un bidon étanche.

2020A/2030A PÉRIODICITÉ D'ENTRETIEN

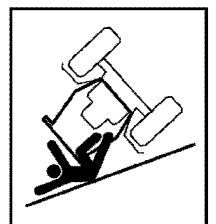
(Voir le livret d'entretien pour les informations complètes et les procédures correctes)

JOHN DEERE [www.johndeere.com](http://www.johndeere.com)

ENTRETIEN QUOTIDIEN NECESSAIRE		ENTRETIEN PERIODIQUE NECESSAIRE	
Item	Unité	Unité	Unité
1	1	1	1
2	1	1	1
3	1	1	1
4	1	1	1
5	1	1	1
6	1	1	1
7	1	1	1
8	1	1	1
9	1	1	1
10	1	1	1
11	1	1	1
12	1	1	1
13	1	1	1
14	1	1	1
15	1	1	1
16	1	1	1
17	1	1	1
18	1	1	1
19	1	1	1
20	1	1	1
21	1	1	1
22	1	1	1
23	1	1	1
24	1	1	1
25	1	1	1
26	1	1	1
27	1	1	1
28	1	1	1
29	1	1	1
30	1	1	1
31	1	1	1
32	1	1	1
33	1	1	1
34	1	1	1
35	1	1	1
36	1	1	1
37	1	1	1
38	1	1	1
39	1	1	1
40	1	1	1
41	1	1	1
42	1	1	1
43	1	1	1
44	1	1	1
45	1	1	1
46	1	1	1
47	1	1	1
48	1	1	1
49	1	1	1
50	1	1	1
51	1	1	1
52	1	1	1
53	1	1	1
54	1	1	1
55	1	1	1
56	1	1	1
57	1	1	1
58	1	1	1
59	1	1	1
60	1	1	1
61	1	1	1
62	1	1	1
63	1	1	1
64	1	1	1
65	1	1	1
66	1	1	1
67	1	1	1
68	1	1	1
69	1	1	1
70	1	1	1
71	1	1	1
72	1	1	1
73	1	1	1
74	1	1	1
75	1	1	1
76	1	1	1
77	1	1	1
78	1	1	1
79	1	1	1
80	1	1	1
81	1	1	1
82	1	1	1
83	1	1	1
84	1	1	1
85	1	1	1
86	1	1	1
87	1	1	1
88	1	1	1
89	1	1	1
90	1	1	1
91	1	1	1
92	1	1	1
93	1	1	1
94	1	1	1
95	1	1	1
96	1	1	1
97	1	1	1
98	1	1	1
99	1	1	1
100	1	1	1

**WARNING**

To avoid injury from crushing, always wear seat belt. Do not jump from machine.



**USE SEAT BELT**

**BOUCLER LA CEINTURE**

**AVERTISSEMENT**

Pour éviter les blessures causées par un écrasement, toujours porter la ceinture de sécurité. Ne pas sauter de la machine.

PERIODICITE D'ENTRETIEN DE 2020A/2030A

(Voir le livret d'entretien pour les informations complètes et les procédures correctes)

JOHN DEERE [www.johndeere.com](http://www.johndeere.com)

ENTRETIEN QUOTIDIEN NECESSAIRE		ENTRETIEN PERIODIQUE NECESSAIRE	
Item	Unité	Unité	Unité
1	1	1	1
2	1	1	1
3	1	1	1
4	1	1	1
5	1	1	1
6	1	1	1
7	1	1	1
8	1	1	1
9	1	1	1
10	1	1	1
11	1	1	1
12	1	1	1
13	1	1	1
14	1	1	1
15	1	1	1
16	1	1	1
17	1	1	1
18	1	1	1
19	1	1	1
20	1	1	1
21	1	1	1
22	1	1	1
23	1	1	1
24	1	1	1
25	1	1	1
26	1	1	1
27	1	1	1
28	1	1	1
29	1	1	1
30	1	1	1
31	1	1	1
32	1	1	1
33	1	1	1
34	1	1	1
35	1	1	1
36	1	1	1
37	1	1	1
38	1	1	1
39	1	1	1
40	1	1	1
41	1	1	1
42	1	1	1
43	1	1	1
44	1	1	1
45	1	1	1
46	1	1	1
47	1	1	1
48	1	1	1
49	1	1	1
50	1	1	1
51	1	1	1
52	1	1	1
53	1	1	1
54	1	1	1
55	1	1	1
56	1	1	1
57	1	1	1
58	1	1	1
59	1	1	1
60	1	1	1
61	1	1	1
62	1	1	1
63	1	1	1
64	1	1	1
65	1	1	1
66	1	1	1
67	1	1	1
68	1	1	1
69	1	1	1
70	1	1	1
71	1	1	1
72	1	1	1
73	1	1	1
74	1	1	1
75	1	1	1
76	1	1	1
77	1	1	1
78	1	1	1
79	1	1	1
80	1	1	1
81	1	1	1
82	1	1	1
83	1	1	1
84	1	1	1
85	1	1	1
86	1	1	1
87	1	1	1
88	1	1	1
89	1	1	1
90	1	1	1
91	1	1	1
92	1	1	1
93	1	1	1
94	1	1	1
95	1	1	1
96	1	1	1
97	1	1	1
98	1	1	1
99	1	1	1
100	1	1	1

**CAUTION**

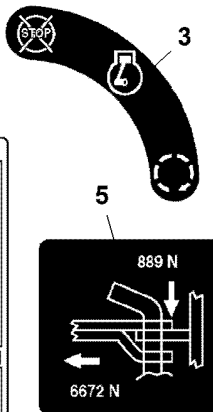
Prolonged exposure to loud noise can cause impairment or loss of hearing.

Wear suitable hearing protection.

**ATTENTION**

Une exposition prolongée aux bruits peut causer des troubles de la santé de l'oreille.

Porter une protection auditive appropriée.



**ATTENTION**

Lire le livret d'entretien. Avant de quitter la machine: Arrêter le moteur, serrer le frein de stationnement, retirer le clé.

**ARCEAU DE SÉCURITÉ**

Pour maintenir la protection de l'opérateur et conserver la certification de l'arceau de sécurité:

- Remplacer un arceau de sécurité endommagé, voir dans le registre ou le manuel.
- Toute modification de l'arceau de sécurité doit être approuvée par le fabricant.

En conformité avec: ISO 21550 pour les exigences d'absorption d'énergie des arceaux de sécurité sur les machines à partir du numéro de série 050001

Poids de référence: 2 Post: 2558 kg 4 Post: 2722 kg

En conformité avec: OSHA 1929 sur les machines avant le n° de série 050001

À utiliser sur les ProGator John Deere Deere & Company Moline, Illinois

**DANGER**

GAZ EXPLOSIFS Les cigarettes, flammes et étincelles peuvent provoquer l'explosion de la batterie. Protégez-vous toujours les yeux et le visage. Si vous n'avez pas les connexions requises, ne chargez pas la batterie, n'y utilisez pas de câbles, ne réglez pas les connexions. Gardez les bouchons serrés et droits.

**TOXIQUE**

RISQUE DE BRÛLURES GRAVES Contient de l'acide sulfurique. Évitez le contact avec la peau, les yeux et les vêtements. En cas d'accident, rincez à l'eau et appelez un médecin aussitôt. Ne laissez pas à portée des enfants.

**WARNING**

Avoid injury from crushing. Always use safety support when working on a raised bed or attachment.

**AVERTISSEMENT**

Risque d'écrasement: Pour éviter les blessures, toujours utiliser un support de sécurité pour travailler sur un plateau ou accessoire relevé.

Entretien quotidien ProGator™ 2020A et 2030A

(Voir le livret d'entretien pour les informations complètes d'entretien et les procédures correctes)

JOHN DEERE [www.johndeere.com](http://www.johndeere.com)

ENTRETIEN QUOTIDIEN REQUIS AVANT CHAQUE EMPLOI		PRESSION DES PNEUS	
1	1	1	1
2	1	1	1
3	1	1	1
4	1	1	1
5	1	1	1
6	1	1	1
7	1	1	1
8	1	1	1
9	1	1	1
10	1	1	1
11	1	1	1
12	1	1	1
13	1	1	1
14	1	1	1
15	1	1	1
16	1	1	1
17	1	1	1
18	1	1	1
19	1	1	1
20	1	1	1
21	1	1	1
22	1	1	1
23	1	1	1
24	1	1	1
25	1	1	1
26	1	1	1
27	1	1	1
28	1	1	1
29	1	1	1
30	1	1	1
31	1	1	1
32	1	1	1
33	1	1	1
34	1	1	1
35	1	1	1
36	1	1	1
37	1	1	1
38	1	1	1
39	1	1	1
40	1	1	1
41	1	1	1
42	1	1	1
43	1	1	1
44	1	1	1
45	1	1	1
46	1	1	1
47	1	1	1
48	1	1	1
49	1	1	1
50	1	1	1
51	1	1	1
52	1	1	1
53	1	1	1
54	1	1	1
55	1	1	1
56	1	1	1
57	1	1	1
58	1	1	1
59	1	1	1
60	1	1	1
61	1	1	1
62	1	1	1
63	1	1	1
64	1	1	1
65	1	1	1
66	1	1	1
67	1	1	1
68	1	1	1
69	1	1	1
70	1	1	1
71	1	1	1
72	1	1	1
73	1	1	1
74	1	1	1
75	1	1	1
76	1	1	1
77	1	1	1
78	1	1	1
79	1	1	1
80	1	1	1
81	1	1	

Key	Part No.	Part Name	Qty.	Serial No.	Remarks
1	M142319	Label	2		Warning, Cylinder Lock, French
2	M119503	Label	1		Warning, French
3	M142317	Label	1		Ignition
4	M142320	Label	1		Warning, Master Cylinder
5	M141875	Label	1		Drawbar Load
6	MT6773	Label	1		Warning
7	TCU27778	Label	1	045001-	Hearing Protection
8	M95614	Label	1		Battery Vent
9	M142786	Label	1		Caution
10A	TCU29798	Label	1	050001-060000	Service Chart
10B	TCU31130	Label	1	060001-	ORDER TCU36601; Service Chart
10C	TCU36601	Label	1		Service
11	TCU34275	Label	1		Rollover Protective Structure, French
12	TCU15152	Label	1		Hot Surfaces
13	TCU35917	Label	1	080001-	Cleaning

Labels  
Labels  
Labels  
Labels  
Labels

PU22583 A.1

**1A**

**2020A/2030A SERVICE INTERVALS**  
(See Operator's Manual for Complete Servicing Information and Proper Procedures)

**DAILY SERVICE REQUIRED**

- Check fuel level
- Check oil level
- Check battery charge
- Check tire pressure
- Check for leaks
- Check for loose parts
- Check for damage
- Check for obstructions
- Check for proper operation

**PERIODIC SERVICE REQUIRED**

Interval	10	50	100	200	500	Other
Check engine oil level	*	*	*	*	*	*
Check battery charge	*	*	*	*	*	*
Check tire pressure	*	*	*	*	*	*
Check for leaks	*	*	*	*	*	*
Check for loose parts	*	*	*	*	*	*
Check for damage	*	*	*	*	*	*
Check for obstructions	*	*	*	*	*	*
Check for proper operation	*	*	*	*	*	*

**2A**

**2020A/2030A INTERVALS DE SERVICIO**  
(Consulte el manual del operador para la información completa de servicio y procedimientos adecuados)

**MANUTENIMIENTO DIARIO REQUERIDO**

- Verificar el nivel de combustible
- Verificar el nivel de aceite
- Verificar el nivel de la batería
- Verificar la presión de los neumáticos
- Verificar fugas
- Verificar partes sueltas
- Verificar daños
- Verificar obstrucciones
- Verificar el funcionamiento correcto

**MANUTENIMIENTO PERIÓDICO REQUERIDO**

Intervalo	10	50	100	200	500	Otros
Verificar el nivel de aceite	*	*	*	*	*	*
Verificar el nivel de la batería	*	*	*	*	*	*
Verificar la presión de los neumáticos	*	*	*	*	*	*
Verificar fugas	*	*	*	*	*	*
Verificar partes sueltas	*	*	*	*	*	*
Verificar daños	*	*	*	*	*	*
Verificar obstrucciones	*	*	*	*	*	*
Verificar el funcionamiento correcto	*	*	*	*	*	*

**1B**

**2020A/2030A SERVICE INTERVALS**  
(See Operator's Manual for Complete Servicing Information and Proper Procedures)

**DAILY SERVICE REQUIRED**

- Check fuel level
- Check oil level
- Check battery charge
- Check tire pressure
- Check for leaks
- Check for loose parts
- Check for damage
- Check for obstructions
- Check for proper operation

**PERIODIC SERVICE REQUIRED**

Interval	10	50	100	200	500	Other
Check engine oil level	*	*	*	*	*	*
Check battery charge	*	*	*	*	*	*
Check tire pressure	*	*	*	*	*	*
Check for leaks	*	*	*	*	*	*
Check for loose parts	*	*	*	*	*	*
Check for damage	*	*	*	*	*	*
Check for obstructions	*	*	*	*	*	*
Check for proper operation	*	*	*	*	*	*

**2B**

**2020A/2030A INTERVALS DE SERVICIO**  
(Consulte el manual del operador para la información completa de servicio y procedimientos adecuados)

**MANUTENIMIENTO DIARIO REQUERIDO**

- Verificar el nivel de combustible
- Verificar el nivel de aceite
- Verificar el nivel de la batería
- Verificar la presión de los neumáticos
- Verificar fugas
- Verificar partes sueltas
- Verificar daños
- Verificar obstrucciones
- Verificar el funcionamiento correcto

**MANUTENIMIENTO PERIÓDICO REQUERIDO**

Intervalo	10	50	100	200	500	Otros
Verificar el nivel de aceite	*	*	*	*	*	*
Verificar el nivel de la batería	*	*	*	*	*	*
Verificar la presión de los neumáticos	*	*	*	*	*	*
Verificar fugas	*	*	*	*	*	*
Verificar partes sueltas	*	*	*	*	*	*
Verificar daños	*	*	*	*	*	*
Verificar obstrucciones	*	*	*	*	*	*
Verificar el funcionamiento correcto	*	*	*	*	*	*

**8**

**WARNING**  
Hot surface

**ADVERTENCIA**  
Superficie caliente

**2C**

**Servicio diario de ProGator™ 2020A y 2030A**  
(consultar el manual del operador para la información completa de servicio y procedimientos adecuados)

**SERVICIO DIARIO REQUERIDO**

- Revisar los niveles de combustible
- Revisar el nivel de aceite
- Revisar el nivel de la batería
- Revisar la presión de los neumáticos
- Revisar fugas
- Revisar partes sueltas
- Revisar daños
- Revisar obstrucciones
- Revisar el funcionamiento correcto

**PRESIÓN DE NEUMÁTICOS: DELANTEROS**

2020A-12: 12 psi (827 kPa) / 12 psi (827 kPa)

2030A-12: 12 psi (827 kPa) / 12 psi (827 kPa)

**PRESIÓN DE NEUMÁTICOS: TRASEROS**

2020A-12: 12 psi (827 kPa) / 12 psi (827 kPa)

2030A-12: 12 psi (827 kPa) / 12 psi (827 kPa)

**IMPORTANT**

Pursuant to California Public Resources Code 4342.6:

**WARNING:** Operation of This Equipment May Create Sparks That Can Start Fires Around Dry Vegetation. A Spark Arrestor May Be Required. The Operator Should Contact Local Fire Agencies For Laws or Regulations Relating to Fire Prevention Requirements.

**IMPORTANTE**

Según el Código de recursos públicos 4442.6 del Código de California:

**ADVERTENCIA:** El uso de este equipo puede crear chispas capaces de iniciar incendios en vegetación seca. Podría ser necesario usar un pararrayos. El operador deberá comunicarse con cuerpos de bomberos locales para informarse de leyes o regulaciones relacionadas con los requisitos exigidos para la prevención de incendios.

**3A**

**WARNING**  
Operation of This Equipment May Create Sparks That Can Start Fires Around Dry Vegetation. A Spark Arrestor May Be Required. The Operator Should Contact Local Fire Agencies For Laws or Regulations Relating to Fire Prevention Requirements.

**ADVERTENCIA**  
El uso de este equipo puede crear chispas capaces de iniciar incendios en vegetación seca. Podría ser necesario usar un pararrayos. El operador deberá comunicarse con cuerpos de bomberos locales para informarse de leyes o regulaciones relacionadas con los requisitos exigidos para la prevención de incendios.

**1C**

**ProGator™ 2020A and 2030A Daily Service**  
(See Operator's Manual for Complete Servicing Information and Proper Procedures)

**DAILY SERVICE REQUIRED**

- Check fuel level
- Check oil level
- Check battery charge
- Check tire pressure
- Check for leaks
- Check for loose parts
- Check for damage
- Check for obstructions
- Check for proper operation

**TIRE PRESSURE: FRONT TIRE INFLATION PRESSURE**

2020A-12: 12 psi (827 kPa) / 12 psi (827 kPa)

2030A-12: 12 psi (827 kPa) / 12 psi (827 kPa)

**REAR TIRE INFLATION PRESSURE**

2020A-12: 12 psi (827 kPa) / 12 psi (827 kPa)

2030A-12: 12 psi (827 kPa) / 12 psi (827 kPa)

**4**

**CAUTION**

Prolonged exposure to loud noise can cause impairment or loss of hearing.

Wear suitable hearing protection.

**ATENCIÓN**

La exposición prolongada a ruidos fuertes puede la pérdida del oído.

Usar protección adecuada para el oído.

**6**

**CAUTION**

- Avoid equipment fires.
- Accumulation of grass, leaves and other debris on or near hot or moving parts can cause a fire.
- Inspect machine before, during, and after use.
- Shut off engine and allow machine to cool before cleaning.

Inspect and clean the entire machine and pay special attention to these locations:

- 1 Muffler and exhaust pipes
- 2 Exhaust manifold and heat shields
- 3 Skid plates
- 4 Radiator

**7**

**ATENCIÓN**

- Evitar los incendios en el equipo.
- Las acumulaciones de pasto, hojas y otros desechos cerca de piezas calientes o en movimiento pueden causar incendios.
- Revisar la máquina antes, durante y después de usarla.
- Parar el motor y dejar que la máquina se enfríe antes de limpiarla.

Revisar y limpiar toda la máquina, prestando atención especial a los puntos siguientes:

- 1 Silenciador y tubos de escape
- 2 Colector de escape y protectores térmicos
- 3 Placa de patín
- 4 Radiador

**5A**

**LOW OR ULTRA LOW SULFUR FUEL ONLY**

**5B**

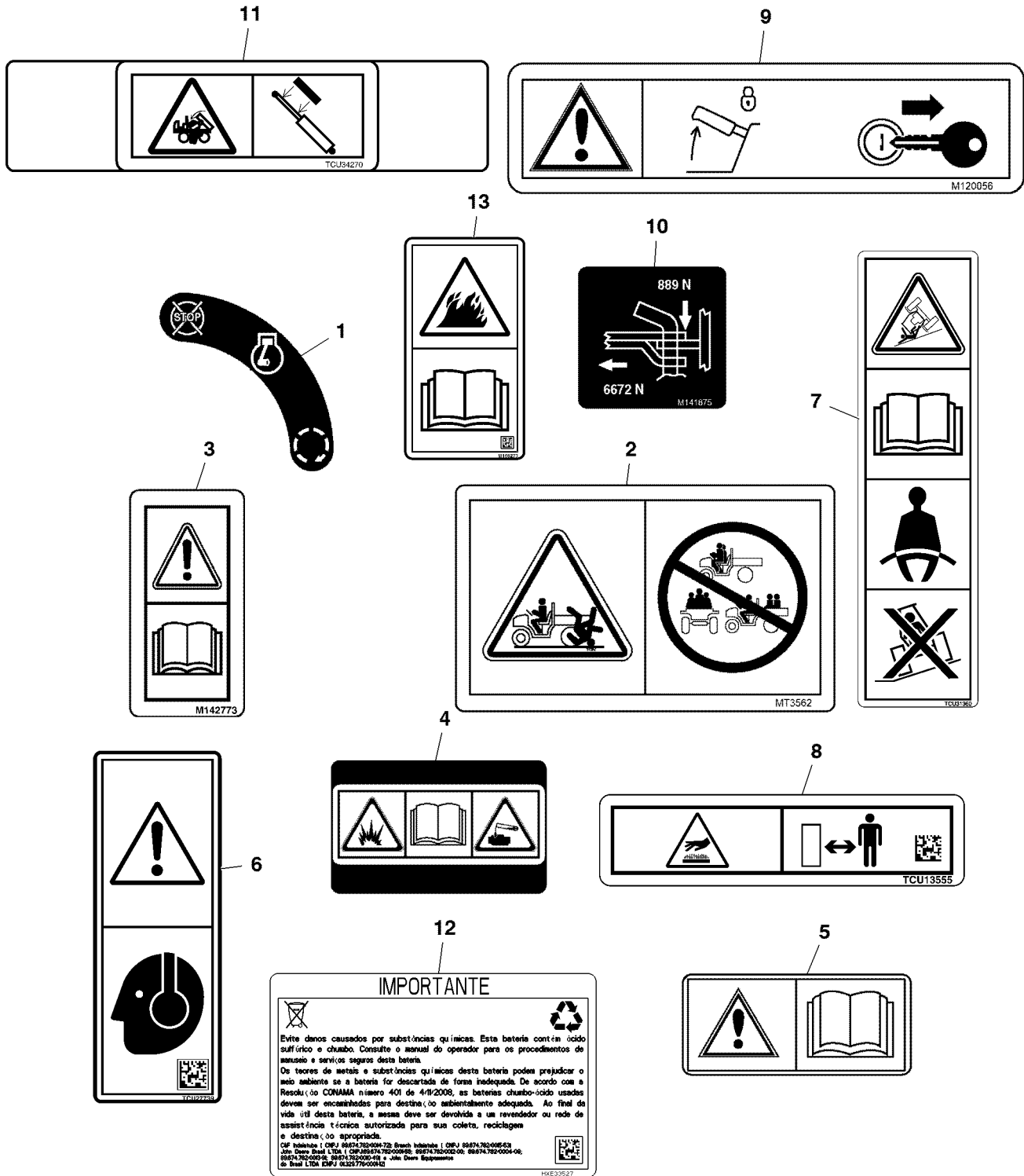
**ULTRA LOW SULFUR FUEL ONLY**

PU22583

Key	Part No.	Part Name	Qty.	Serial No.	Remarks
1A	TCU23245	Label	1	-050000	ORDER TCU29536; Service Chart, English
	TCU29536	Label	1	050001-060000	Service Chart; English
1B	TCU31128	Label	1	060001-	ORDER TCU36599; Service Chart, English
1C	TCU36599	Label	1		
2A	TCU23255	Label	1	-050000	ORDER TCU29537; Service Chart, Spanish
	TCU29537	Label	1	050001-060000	Service Chart, Spanish
2B	TCU31129	Label	1	060001-	ORDER TCU36600; Service Chart, Spanish
2C	TCU36600	Label	1		Service Chart, Spanish
3A	TCU26800	Label	1		ORDER TCU32529; Warning, Spark Arrestor, English / Spanish
3B	TCU32529	Label	1		Spark Arrestor, Bilingual
4	TCU27738	Label	1	045001-	Caution, Hearing Protection
5A	R527703	Label	1	-050000	Fuel Inlet
5B	M173256	Label	1	050001-	SUB FOR R529956, Fuel Inlet, Ultra Low Sulfur
6	TCU35915	Label	1	080001-	Cleaning, English
7	TCU35916	Label	1	080001-	Cleaning, Spanish
8	TCU13554	Label	1		Warning Hot Surfaces, English / Spanish
9	TCA26261	Kit	1		Not Illustrated, Hardware, Rear Panel

Label Kit  
 Label Kit  
 Label Kit  
 Label Kit  
 Label Kit  
 Label Kit

PU47782 A.1



PU47782

Key	Part No.	Part Name	Qty.	Serial No.	Remarks
1	M142317	Label	1		Ignition
2	MT3562	Label	2		Warning; No Riders; No Text
3	M142773	Label	1		Read Operator's Manual
4	MT6350	Label	1		Danger Battery
5	MT3563	Label	1		Caution
6	TCU27739	Label	1		Hearing Protection
7	TCU31360	Label	1		Warning
8	TCU13555	Label	1		Warning Hot Surfaces
9	M120056	Label	1	080001-	Caution
10	M141875	Label	1	080001-	Drawbar Load
11	TCU34270	Label	2	080001-	Warning
12	HXE33527	Label	1	080001-	Battery
13	M165273	Label	1	080001-	Cleaning, Text Free





## Numerical Index

Part No.	Key	Page	Part No.	Key	Page	Part No.	Key	Page
..	6	91	AM124313	4	268	AM129883	19	223
0289109	11	309	AM124314	4	276	AM129884	18	223
3TINV70	17	118	AM124343	3	309	AM129886	23	223
3TINV76-XJUV	1	59	AM124344	18	309	AM129893	17	217
3TINV76-XJUV	8	89	AM124345	5	309	AM129894	17	217
3TINV80F-NCJUV	1	59	AM124376	12	149	AM129895	18	217
3TINV80F-NXCJUV	1	59	AM124376	8	151	AM129896	11	213
400R	20	107	AM124517	21	195	AM129896	12	217
400R	23	107	AM124519	1	217	AM129897	2	213
400R	16	185	AM124520	1	217	AM129897	2	217
400R	9	66	AM124521	1	213	AM129898	11	213
7N3590-11000	1	197	AM124522	1	213	AM129898	12	217
7N3590-11060	1	199	AM124527	17	223	AM129899	7	213
7N3590-24010	1	165	AM124528	2	223	AM129899	8	217
7N3590-24020	1	165	AM124529	6	179	AM129900	8	213
7N3590-24030	1	165	AM124530	1	315	AM129900	9	217
7N3590-24040	1	165	AM124534	18	313	AM129901	3	217
7N3590-24050	1	165	AM124554	4	206	AM129902	3	217
7N3590-24060	1	165	AM124555	16	305	AM129903	6	213
7N3590-24070	1	165	AM124560	4	305	AM129903	16	217
7N3590-24080	1	165	AM125581	19	149	AM129904	10	213
A11318	7	309	AM125581	38	151	AM129904	11	217
A11318	24	311	AM125581	5	165	AM129905	4	217
A15147	4	314	AM125582	17A	99	AM129906	4	217
A15147	9	317	AM125582	17B	99	AM129920	4	213
AE23791	14	247	AM125584	1	190	AM129921	4	213
AE55486	1	244	AM125589	14	197	AM129922	15	213
AE793E	1	190	AM125589	11	205	AM129923	14	213
AE793E	3	190	AM125589	34	209	AM129924	14	213
AET10449	2	263	AM125589	42	211	AM129943	4	243
AH127682	1	244	AM125696	2	111	AM129944	5	243
AH225364	33	223	AM125696	5	111	AM129945	3	243
AH79175	20	209	AM125696	6	111	AM129971	6	314
AH79175	20	211	AM125732	7	155	AM129977	13	263
AH79175	36	297	AM125751	7	132	AM129977	14	263
AH87142	14	223	AM125751	8	132	AM129977	21	263
AHC15360	23A	249	AM125751	9	132	AM129979	8	263
AHC15360	23B	249	AM125824	2	263	AM129980	8	263
AL114614	3	152	AM125824	3	265	AM129982	21	263
AL203265	3	152	AM125991	19	263	AM129982	9	265
AL58554	7	318	AM125992	19	263	AM129982	8	267
AL58739	10	157	AM126004	1	197	AM130000	5	313
AL58739	12	157	AM126183	9	146	AM130001	32	313
AL58739	13	157	AM126213	1	157	AM130017	43	289
AL58739	14	157	AM126213	19	301	AM130021	1	193
AL58739	9	157	AM126214	4	303	AM130021	1	195
AL59724	3	159	AM126282	2	155	AM130027	3	305
AM100752	4	107	AM126282	4A	155	AM130333	3	239
AM100800	15	73	AM126403	45	211	AM130333	3	241
AM100819	9	149	AM126680	20	113	AM130349	17	213
AM100856	3	71	AM127081	15	197	AM130349	20	217
AM104359	1	244	AM127081	12	205	AM130412	4	247
AM105466	5	252	AM127081	32	209	AM130443	22	309
AM105466	23	289	AM127081	40	211	AM130481	18	209
AM105466	9	293	AM127092	10	303	AM130481	18	211
AM105466	7	297	AM127219	3	317	AM130482	19	209
AM105467	6	252	AM127338	1	301	AM130482	19	211
AM107076	1	149	AM127380	20	197	AM130485	8	249
AM107076	1	151	AM127380	18	205	AM130486	9	249
AM107076	2	151	AM127380	14	209	AM130505	3	225
AM107087	11	134	AM127380	17	211	AM130505	6	225
AM107088	12	134	AM128146	1	263	AM130716	7	247
AM107665	22	157	AM128146	2	263	AM130779	22	249
AM108146	7	115	AM128905	30	289	AM130779	23A	249
AM108172	21	113	AM128905	8	293	AM130779	34	249
AM108845	7	128	AM128907	14	149	AM130780	34	249
AM108845	9	128	AM128907	10	151	AM130908	1	243
AM116574	10	301	AM128943	2	314	AM130950	14	289
AM117237	1A	146	AM128943	8	317	AM130950	13	293
AM117237	2	146	AM128944	7	314	AM130950	12	297
AM117237	3	146	AM128945	5	314	AM130951	10	289
AM117259	8	301	AM129660	9	209	AM130951	14	293
AM117324	5	155	AM129660	9	211	AM130951	11	297
AM117324	1	303	AM129740	15	149	AM130952	11	289
AM117324	19	335	AM129740	11	151	AM130952	15	293
AM117401	6	159	AM129740	9	247	AM130952	9	297
AM118013	4	303	AM129742	10	111	AM130953	17	289
AM118032	4	317	AM129742	11	111	AM130953	16	293
AM118930	1	159	AM129742	12	111	AM130953	10	297
AM120326	5	157	AM129742	13	111	AM130964	16	249
AM122590	4	132	AM129742	7	111	AM130965	15	249
AM123508	16	99	AM129742	9	111	AM130966	39	209
AM123716	2	133	AM129853	20	83	AM130967	49	211
AM123716	8	149	AM129882	22	223	AM130986	25A	83

## Numerical Index - Continued

Part No.	Key	Page	Part No.	Key	Page	Part No.	Key	Page
AM130986	25B	83	AM882435	27	75	AUC13982	2	67
AM130986	8A	85	AM882435	29	75	AUC13982	3	67
AM130986	8B	85	AM882435	8	77	AUC13982	5	67
AM131009	3	318	AM882440	12	107	AUC13982	4	71
AM131181	1	278	AM882445	3	77	AUC14033	9	335
AM131351	6	243	AM882446	12	79	AUC14375	11	189
AM131354	2	243	AM882448	8	71	AUC14376	13	189
AM131841	7	149	AM882453	37	65	AUC15435	1	131
AM133451	1	103	AM882453	46	65	AUC15435	1	133
AM133451	1	105	AM882453	47	65	AUC15435	1	137
AM133451	1	59	AM882453	48	65	AUC15495	6	161
AM133451	2	61	AM882453	49	65	AUC15805	3	151
AM133451	3	61	AM882455	1	107	AUC15957	1	131
AM133451	37	65	AM882456	2	107	AUC15957	1	133
AM133451	5	66	AM882457	3	107	AUC15957	1	137
AM133451	1	67	AM882461	7	65	AUC15957	30	139
AM133451	2	67	AM882469	4	77	AUC15957	30	141
AM133451	3	67	AMT1356	6	209	AUC16093	1	103
AM133451	5	67	AMT1356	6	211	AUC16093	1	105
AM133451	4	71	AN131153	2	239	AUC16093	1	59
AM138537	9	149	AN131153	2A	241	AUC16093	2	61
AM148308	1A	146	AN131153	3	241	AUC16093	3	61
AM148308	1B	146	AN131153	37	289	AUC16093	37	65
AM30795	3	268	AN150266	1	244	AUC16093	5	66
AM30795	4	268	AN275832	14	247	AUC16093	8	66
AM30795	1	269	AR20235	2	152	AUC16093	1	67
AM30795	1	270	AR21839	21	241	AUC16093	2	67
AM30795	1	272	AR21839	13	83	AUC16093	3	67
AM30795	1	274	AR21839	12	85	AUC16093	5	67
AM30795	1	275	AR21839	11	87	AUC16093	4	71
AM30795	3	276	AR48041	13	155	AUC16315	7	333
AM30795	4	276	AR48041	7	155	AUC16401	1	143
AM31268	4	115	AR48236	8	83	AUC16401	1	145
AM38782	11B	195	AR48236	10	87	AUC16664	4B	155
AM38782	15A	195	AR62407	1	301	AUC16694	18	283
AM38782	21	195	AT103399	4	137	AUC16694	15	285
AM875391	10	63	AT103399	15	141	AUC16776	10	219
AM875887	9	99	AT103399	26	145	AUC16776	3	221
AM876266	12	101	AT118553	12	113	AUC17022	1	59
AM878036	3	317	AT124317	26	209	AUC17071	1	94
AM879934	1	101	AT124317	27	211	AUC17107	3	335
AM879934	7	101	AT262963	4	134	AUC17204	28	141
AM879978	11	63	AT262963	26	137	AUC17204	38	141
AM880315	29	171	AT262963	13	141	AUC17204	38	145
AM880403	22	107	AT262963	22	145	AUC17205	29	141
AM880459	1	175	AT318410	22	151	AUC17205	39	141
AM880460	7	175	AT56822	14	193	AUC17205	18	145
AM880461	2	197	AT56822	19	195	AUC17205	19	145
AM880463	22	201	AT73678	18	111	AUC17205	37	145
AM880464	1	203	AU41465	15	301	AUC17343	10	335
AM880465	1	203	AUC10781	29	87	AUC17693	30	289
AM880467	27	171	AUC10979	16	261	AUC17693	8	293
AM880468	19	171	AUC11115	12	237	AUC17920	4	283
AM880469	14	183	AUC11415	16	261	AUC17920	9	285
AM880509	10	123	AUC11977	3	318	AUC17933	19	263
AM880510	5	123	AUC12681	4	151	AUC17933	17	283
AM880511	24	123	AUC12917	1	257	AUC17934	19	263
AM880512	20	123	AUC12917	1	259	AUC17934	14	285
AM880513	16	123	AUC12918	18	255	AUC18284	11	219
AM880515	14	123	AUC12918	18	257	AUC18284	1	221
AM881398	2	66	AUC12918	18A	259	AUC18285	11	219
AM881403	11	73	AUC12918	18B	259	AUC18285	1	221
AM881471	30	203	AUC12919	2	223	AUC18286	1	219
AM881809	7	71	AUC12920	6	179	AUC18286	12	219
AM882245	20	107	AUC12921	4	247	AUC18286	2	221
AM882410	14	107	AUC12922	7	247	AUC18301	1	283
AM882411	5	79	AUC12923	4	206	AUC18302	1	285
AM882418	12	61	AUC12924	1	315	AUC18317	17B	99
AM882419	16	61	AUC12925	19	205	AUC18394	13	337
AM882421	23	65	AUC12925	45	211	AUC18395	2	337
AM882422	2	65	AUC13642	2	283	AUC18517	9	283
AM882423	26	65	AUC13642	12	285	AUC18517	3	285
AM882425	11	63	AUC13658	8	335	AUC18521	25B	83
AM882425	5	66	AUC13979	3	151	AUC18521	8B	85
AM882426	7	63	AUC13982	1	103	AUC18708	3	151
AM882426	1	67	AUC13982	1	105	AUC19014	20	197
AM882428	2	67	AUC13982	1	59	AUC19014	18	205
AM882429	2	67	AUC13982	2	61	AUC19014	14	209
AM882430	1	67	AUC13982	3	61	AUC19014	17	211
AM882431	10	63	AUC13982	37	65	AUC19015	9	209
AM882431	5	67	AUC13982	5	66	AUC19015	9	211
AM882435	25	75	AUC13982	8	66	AUC19016	18	209
AM882435	26	75	AUC13982	1	67	AUC19016	18	211

## Numerical Index - Continued

Part No.	Key	Page	Part No.	Key	Page	Part No.	Key	Page
AUC19017	8	249	CH10891	12	175	CH19101	10	79
AUC19018	9	249	CH11481	24	185	CH19140	34	105
AUC19019	16	249	CH11484	1	183	CH19780	29	65
AUC19020	15	249	CH11486	9	63	CH19994	39	105
AUC19021	32	297	CH11486	4	67	CH20081	1	66
AUC19022	31	297	CH11487	8	167	CQ23837	4	335
AUC19025	17	241	CH11493	5	183	CXT13734	16	335
AUC19025	4	249	CH11501	1	169	E4298E	5	190
AUC19026	31B	209	CH11503	1	317	E64256	11	118
AUC19026	32B	211	CH11550	22	185	E90802	28	311
AUC19026	16	237	CH11551	13	181	ET15510	7	252
AUC19051	19	209	CH11553	1	181	ET15511	9	252
AUC19051	19	211	CH11554	9	173	ET15766	11	132
AUC19118	6	209	CH11562	29	211	ET20005	1	167
AUC19118	6	211	CH11573	4	183	ET20005	10	169
AUC19870	13	223	CH11925	21	173	ET20005	16	183
AUC19871	12	223	CH12300	14	201	F2863R	5	247
AUC20452	2B	241	CH12304	25	169	F85008	35	289
AUC20637	11	289	CH12304	13	175	GX10175	21	261
AUC20637	15	293	CH12304	23	185	GX20234	31	257
AUC20637	9	297	CH12790	7	101	GX20234	28	259
AUC20638	14	289	CH12866	20	73	GX20234	20	263
AUC20638	13	293	CH12866	1	83	GX22456	16	151
AUC20638	12	297	CH12896	21	73	GX22456	34	223
AUC20639	17	289	CH12896	2	83	GX22456	1	255
AUC20639	16	293	CH13484	4	181	GX22456	33	255
AUC20639	10	297	CH13497	8	105	GX22456	1	257
AUC20640	10	289	CH13520	20	167	GX22456	31	257
AUC20640	14	293	CH13522	28	167	GX22456	1	259
AUC20640	11	297	CH13522	11	185	GX22456	28	259
AUC22243	44	261	CH13526	34	167	GX22456	20	263
B-3TNV80F-J1	12	63	CH13526	17	75	H120847	35	223
BM19776	11	303	CH13814	17	73	H128515	11	249
BM19954	17	305	CH13814	14	93	H132510	1	244
BM19955	37	313	CH13851	23	181	H132649	1	244
BM20003	3	277	CH14443	17	169	H132650	1	244
BM20006	24	309	CH14560	33	197	H135156	11	209
BM20433	5	327	CH14560	24	203	H135156	12	211
BM20502	1	314	CH14581	8	201	H135156	16	289
BM20634	1	347	CH14592	13	185	H135156	22	293
BM20705	4	275	CH14631	14	167	H135156	23	297
BTC10091	1	322	CH14633	7	167	H137328	2	115
BTC10091	1	337	CH14634	14	167	H137328	2	117
BTC10095	4	269	CH14634	15	167	H164460	1	250
BTC10096	1	271	CH14634	11	203	H75541	12	147
BTC10097	1	273	CH14701	19	167	H77698	15	128
BTC10262	1	306	CH14769	6	175	H77698	15	132
BTC10262	2	309	CH14769	8	177	H77698	7	133
BTC10262	24	309	CH14811	15	103	H77698	19	134
BTC10262	1	311	CH14828	5	203	H77698	2	137
BTC10397	1	319	CH14926	3	185	H77698	26	139
BTC10507	1	298	CH14967	6	167	H77698	32	151
BTC10507	...	301	CH15024	20	181	H77698	23	157
BTC10507	1	301	CH15042	3	183	H77698	12	161
BTC10542	1	294	CH15396	12	103	H77698	11	179
BTC10943	1	329	CH15491	13	89	H77698	43	209
BTC10944	1	331	CH15491	7	91	H77698	52	211
BUC10852	3	332	CH15585	31	105	H77698	32	223
BUC10874	1	333	CH15663	5	185	H77698	29	249
BUC10885	1	161	CH16843	9	71	H77698	13	289
BUC11092	1	335	CH16888	7	101	H77698	7	293
BUC11279	1	341	CH16940	7	75	H77698	25	297
CH10060	8	101	CH16940	20	77	H77698	24	301
CH10061	22	101	CH16940	2	93	H77698	2	303
CH10082	3	101	CH17101	6	73	H77698	20	335
CH10084	5	101	CH17102	6	181	H77698	6	87
CH10106	11	101	CH17294	10	167	HF620026167	2	319
CH10314	17	61	CH17419	11	183	HF790010050	3	319
CH10323	16	107	CH17532	26	171	HF798025200	4	319
CH10323	18	107	CH17827	14	66	HXE33527	22	349
CH10335	13	61	CH17960	10	107	HXE33527	12	355
CH10426	22	73	CH17960	8	99	J16931	6	305
CH10426	3	83	CH18079	4	61	J16931	13	309
CH10537	9	105	CH18079	15	65	J16931	11	311
CH10551	23	73	CH18096	2	91	JD5714	4	309
CH10551	4	83	CH18783	28	201	JD5714	7	311
CH10554	8	73	CH18784	27	201	JD5784	19	261
CH10554	23	93	CH19085	27	73	JD5784	23	261
CH10570	19	105	CH19086	28	73	JD5784	3	345
CH10570	3	173	CH19086	15	79	JD7760	4	190
CH10570	22	181	CH19091	16	89	K40006	10	263
CH10571	4	101	CH19091	10	91	K40006	8	265
CH10891	24	169	CH19099	14	73	K40006	3	267

## Numerical Index - Continued

<i>Part No.</i>	<i>Key</i>	<i>Page</i>	<i>Part No.</i>	<i>Key</i>	<i>Page</i>	<i>Part No.</i>	<i>Key</i>	<i>Page</i>
L113019	1	187	M129932	12	109	M135252	10	205
L113019	1	189	M129955	27	313	M135252	48	211
L113019	1	206	M129977	7	231	M135583	17	197
L1498N	5	223	M129978	5	231	M135583	36	209
L1509N	16	223	M129981	9	179	M136017	6	205
L171481	1	247	M129981	1	223	M136017	33	211
L56426	8	313	M129988	2	268	M137064	19	289
L77747	3	187	M129988	4	268	M137064	21	293
L77747	3	189	M129989	1	268	M137064	14	297
L77747	3	206	M129989	4	268	M137065	19	289
L77747	2	247	M129993	6	303	M137065	20	293
L77747	3	289	M129994	1	276	M137065	13	297
L77747	2	293	M129994	4	276	M137067	10	252
L77747	4	297	M129995	1	276	M139181	7	146
L78981	1	289	M130220	12	261	M139610	8	283
L78981	23	293	M130221	12	261	M139610	6	285
L78981	5	297	M130223	3	127	M140002	1	225
LG260	1	95	M130223	41	261	M140065	34	83
LVA12467	1	123	M130224	7	261	M140065	9	85
LVA12467	2	123	M130225	8	261	M140183	41	289
LVA12467	3	123	M130770	18	157	M140183	29	293
LVA12467	5	123	M130778	5	318	M140183	8	297
LVA18519	16	99	M130779	5	318	M140438	19	213
LVU13391	11	235	M130828	11	321	M140438	22	217
LVU13538	8	235	M130828	11	325	M140439	9	215
LVU13540	9	235	M130828	11	337	M140439	9	219
LVU14116	19	123	M130829	11	321	M140439	5	268
LVU800577	38	167	M130829	11	325	M140439	5	276
M110159	6	149	M130829	12	337	M140455	4	209
M110159	28	151	M131000	16	309	M140455	4	211
M111150	6	146	M131001	6	225	M140455	36	261
M111150	6	147	M131007	44	289	M140459	6	190
M111150	48	289	M131009	11	206	M140512	17	261
M111717	2	187	M131010	5	255	M140559	7	303
M111717	2	189	M131010	5	257	M140591	1A	345
M111717	2	206	M131010	5	259	M140616	15	231
M111717	3	247	M131011	5	289	M141005	3	193
M111717	2	289	M131011	24	293	M141005	2	195
M111717	33	293	M131011	1	297	M141008	9	231
M111717	6	297	M131013	16	247	M141022	4	109
M113621	3	111	M131015	6	247	M141025	16	109
M113899	1	247	M131017	24	197	M141025	16	179
M114247	21	109	M131051	10	109	M141038	12	305
M115279	8	127	M131052	26	255	M141039	1	305
M115279	38	261	M131052	26	257	M141042	8	305
M118849	6	317	M131052	26	259	M141048	13	149
M118986	2	159	M131053	5	239	M141048	13	149
M119503	4	331	M131053	5	241	M141130	9	223
M119503	2	351	M131053	28	289	M141374	1	99
M119508	3	278	M131053	1	293	M141401	31	313
M119508	8	345	M131053	26	297	M141402	2	313
M119854	6	146	M131058	1	309	M141408	9	313
M119854	6	147	M131059	23	309	M141414	19	255
M119854	48	289	M131059	2	311	M141414	19	257
M120056	14	347	M131071	6	309	M141414	19	259
M120056	1	349	M131071	10	311	M141418	24	249
M120056	9	355	M131435	4	231	M141431	25	313
M120362	5	278	M131435	4	327	M141434	20	213
M120362	5	279	M131435	4	339	M141434	23	217
M120362	14	281	M131442	15	305	M141436	38	289
M121961	2	276	M131444	30	313	M141437	8	115
M121961	4	276	M131444	18	231	M141440	29	151
M123378	4	111	M131461	18	231	M141440	2	255
M129844	2	231	M131476	14	309	M141440	2	257
M129852	6	223	M131478	13	179	M141440	2	259
M129855	24	109	M131496	11	231	M141471	15	313
M129855	22	193	M131518	16	213	M141503	1	327
M129855	4	195	M131518	19	217	M141504	39	261
M129855	22	313	M131520	7	206	M141504	10	345
M129875	6	109	M131802	19	113	M141506	20	313
M129888	15	99	M131803	18	113	M141546	19	313
M129891	27	261	M132984	1	261	M141636	13	209
M129894	10	321	M132984	26	261	M141636	13	211
M129894	8	325	M133719	15	261	M141700	4A	345
M129894	8	337	M133773	10	99	M141701	14	345
M129924	14	231	M134554	10	146	M141718	18	213
M129924	24	255	M134554	12	345	M141718	21	217
M129924	24	257	M134778	6	155	M141743	12	313
M129924	24	259	M134778	29	261	M141744	10	313
M129926	10	309	M135242	5	115	M141748	20	263
M129926	12	311	M135249	3	205	M141766	2	309
M129931	15	239	M135249	35	211	M141809	17	209
M129931	10	241	M135250	4	205	M141809	16	211
			M135250	47	211	M141826	8	309

## Numerical Index - Continued

Part No.	Key	Page	Part No.	Key	Page	Part No.	Key	Page
M141826	15	311	M144128	7	127	M76442	18	263
M141848	22	109	M144128	44	261	M78480	2	137
M141868	9	255	M144485	22	249	M78480	23	157
M141868	9	257	M144505	12	159	M78480	7	293
M141868	9	259	M144551	17	109	M800006	11	61
M141874	46	261	M144552	7A	109	M800006	9	75
M141874	5	345	M144627	10	159	M800006	17	77
M141875	12	347	M144784	18	149	M800008	13	75
M141875	2	349	M144925	6	261	M800008	23	77
M141875	5	351	M144925	11	345	M800008	6	89
M141875	10	355	M144945	13	159	M800011	1	79
M141900	3	250	M144980	18	99	M800065	18	75
M141901	16	193	M145022	7	317	M800065	9	77
M141901	2	250	M145115	3	275	M800075	11	66
M141901	2	251	M145115	2	276	M800077	2	79
M141906	5	250	M145129	5	317	M800087	5	73
M141906	3	251	M148960	17	179	M800100	1	65
M141913	35	261	M150798	8	223	M800312	16	73
M141913	7	345	M153119	20	147	M800486	25	201
M141954	11	347	M154056	16	113	M800488	21	167
M141976	5	205	M154056	7	83	M800489	18	167
M141976	34	211	M154056	9	83	M800495	18	103
M142218	3	209	M154056	15	85	M800504	8	171
M142218	3	211	M154056	23	87	M800565	7	185
M142219	1	209	M154392	18	213	M800566	4	167
M142219	1	211	M154392	21	217	M800572	6	201
M142317	8	347	M157301	12	155	M800573	5	201
M142317	4	349	M157301	7	155	M800574	4	201
M142317	3	351	M158299	7	115	M800576	3	201
M142317	1	355	M158299	9	115	M800590	24	201
M142319	1	351	M163626	24	261	M800629	19	183
M142320	4	351	M165273	17	349	M800970	1	61
M142416	24	223	M165273	13	355	M801027	28	65
M142417	28	223	M169838	25	141	M801028	27	65
M142418	26	223	M169838	14	145	M801101	6	101
M142419	25	223	M173256	5B	353	M801108	8	107
M142420	21	223	M175326	16	113	M801315	10	103
M142421	20	223	M175326	7	83	M801335	22	105
M142429	13	213	M175326	9	83	M801336	29	105
M142429	14	217	M175326	15	85	M801783	3	109
M142430	12	213	M175326	23	87	M801785	24	105
M142430	13	217	M175326	21	99	M801941	6	79
M142431	9	213	M175326	3	99	M802037	17	183
M142431	10	217	M177102	25	261	M802254	19	61
M142432	9	213	M177102	20	263	M802254	8	79
M142432	10	217	M226T	11	223	M802255	27	167
M142433	7	217	M40333	21	147	M802255	20	169
M142434	6	217	M40514	7	179	M802255	13	183
M142435	3	213	M40514	3	223	M802255	1	201
M142435	15	217	M42702	4	252	M802255	6	203
M142511	7	313	M42702	22	289	M802255	6	61
M142573	18	305	M42702	10	293	M802255	6	66
M142624	3	303	M42702	15	297	M802255	7	79
M142625	17	231	M42812	25	109	M802636	10	101
M142625	2	327	M43649	5	305	M802646	14	89
M142669	2	318	M43835	9	134	M802646	8	91
M142772	13	345	M43835	12	137	M802713	13	101
M142773	10	347	M43835	19	141	M802952	4	89
M142773	5	349	M43835	31	145	M803523	6	71
M142773	3	355	M43940	25	311	M803523	3	89
M142786	9	351	M45387	30	209	M803523	11	93
M143033	13	83	M45387	7	89	M805133	11	123
M143173	20	249	M46449	21	134	M805134	12	123
M143177	27	311	M46935	26	313	M805135	7	123
M143190	7	225	M47566	14	223	M805136	8	123
M143190	4	227	M63200	17	263	M805137	9	123
M143206	4	239	M64081	14	249	M805138	6	123
M143206	4	241	M64850	1	75	M805141	3	123
M143206	27	289	M68997	5	283	M805142	2	123
M143206	39	297	M68997	10	285	M805147	15	123
M143219	16	255	M71190	4	159	M805148	17	123
M143219	16	257	M72069	13	225	M805149	13	123
M143219	16	259	M72069	5	227	M805150	18	123
M143240	8	255	M72069	21	313	M805151	25	123
M143240	8	257	M72598	21	249	M805152	21	123
M143240	8	259	M72598	20	255	M805153	23	123
M143509	25	209	M72598	20	257	M805503	2	317
M143509	26	211	M72598	20	259	M805696	9	89
M143509	25	289	M73374	1	244	M805696	3	91
M143523	16	149	M73375	1	244	M805710	21	65
M143523	3	225	M73376	1	244	M805710	22	75
M143694	20	109	M75140	12	132	M805710	11	77
M143856	5	159	M76436	4	127	M805711	20	65

## Numerical Index - Continued

<i>Part No.</i>	<i>Key</i>	<i>Page</i>	<i>Part No.</i>	<i>Key</i>	<i>Page</i>	<i>Part No.</i>	<i>Key</i>	<i>Page</i>
M805711	21	75	M809247	34	197	M809373	12	183
M805711	12	77	M809247	35	197	M809377	18	183
M805711	20	93	M809247	16	203	M809379	17	181
M805965	9	171	M809247	31	203	M809380	18	181
M806018	31	125	M809247	32	203	M809381	19	181
M806389	23	171	M809248	29	203	M809382	24	181
M806418	12	71	M809249	29	203	M809385	5	181
M806438	32	105	M809251	31	197	M809390	10	183
M806438	9	107	M809251	27	203	M809391	2	183
M806438	21	93	M809253	26	201	M809394	28	169
M806515	5	107	M809254	16	167	M809403	4	203
M806515	6	107	M809254	8	203	M809423	14	167
M806544	14	79	M809255	17	167	M809425	33	169
M806545	13	79	M809255	9	203	M809426	32	169
M806737	24	77	M809256	23	167	M809440	21	201
M806745	7	107	M809256	15	183	M809478	6	171
M806785	3	123	M809257	30	167	M809479	7	171
M806786	2	123	M809258	12	171	M809564	31	171
M806787	4	123	M809259	2	171	M809593	15	61
M806794	12	73	M809260	15	173	M809601	13	171
M806808	38	105	M809261	11	173	M809602	24	173
M806938	19	75	M809262	12	173	M809603	16	173
M806938	6	77	M809263	18	169	M809603	31	173
M807193	19	103	M809264	20	171	M809604	20	173
M807207	23	105	M809265	30	169	M809605	28	173
M807344	3	66	M809266	5	173	M809606	19	173
M807352	11	89	M809272	12	201	M809606	31	173
M807352	5	91	M809276	20	201	M809660	3	171
M807374	6	65	M809279	22	201	M809661	5	171
M807396	7	173	M809280	22	201	M809662	10	171
M807397	4	171	M809281	22	201	M809667	24	171
M807397	22	173	M809285	2	201	M809669	32	171
M807544	29	167	M809287	10	203	M809670	13	103
M808305	12	125	M809294	13	167	M809864	3	203
M808645	6	114	M809294	13	203	M809979	9	167
M808668	19	123	M809295	12	203	M810006	16	105
M808676	32	125	M809296	9	175	M810061	37	105
M808678	27	123	M809302	25	167	M810064	4	103
M808706	44	65	M809303	32	167	M810065	5	103
M808812	11	169	M809304	11	167	M810069	13	173
M809133	3	197	M809307	16	147	M810070	6	173
M809134	22	203	M809307	26	167	M810186	10	77
M809135	21	183	M809307	11	227	M810302	20	183
M809136	21	183	M809308	15	171	M810303	7	183
M809204	8	75	M809308	17	173	M810331	7	201
M809204	18	77	M809309	14	171	M810501	11	175
M809204	10	93	M809310	11	171	M810503	3	167
M809213	5	99	M809311	16	171	M810504	8	175
M809215	1	125	M809316	17	171	M810515	1	171
M809216	1	123	M809319	18	171	M810517	2	167
M809216	2	123	M809321	23	173	M810517	26	193
M809216	3	123	M809325	27	173	M810517	25	195
M809216	5	123	M809326	25	173	M810594	5	105
M809219	4	197	M809328	18	173	M810616	5	123
M809219	26	203	M809329	14	173	M811037	35	65
M809221	2	175	M809330	30	173	M811046	10	65
M809221	3	177	M809331	29	173	M811061	30	75
M809222	4	175	M809332	26	173	M811061	15	77
M809222	4	177	M809333	10	173	M811089	3	114
M809223	10	175	M809334	4	173	M811089	9	93
M809223	7	175	M809336	9	169	M811140	28	75
M809238	5	197	M809337	8	169	M811140	25	77
M809238	20	203	M809338	22	169	M811318	4	114
M809240	6	197	M809339	2	169	M811345	26	73
M809241	7	197	M809340	3	169	M811441	2	71
M809241	21	203	M809341	4	169	M811448	5	114
M809242	8	197	M809342	5	169	M811563	20	75
M809243	34	197	M809343	6	169	M811563	7	77
M809243	9	197	M809344	7	169	M811567	32	105
M809243	18	203	M809345	21	169	M811567	9	107
M809243	31	203	M809346	13	169	M811567	21	93
M809244	10	197	M809347	19	169	M811568	3	103
M809244	35	197	M809348	31	169	M811568	16	93
M809244	18	203	M809349	29	169	M811649	8	65
M809244	32	203	M809353	23	169	M811650	9	65
M809245	11	197	M809359	22	171	M811804	36	65
M809246	12	197	M809360	25	171	M811805	18	61
M809246	34	197	M809361	21	171	M811806	15	107
M809246	35	197	M809363	28	171	M811807	5	61
M809246	19	203	M809368	12	181	M811808	45	65
M809246	31	203	M809369	7	181	M811809	3	114
M809246	32	203	M809370	10	181	M811810	17	107
M809247	13	197	M809371	3	181	M811815	2	61

## Numerical Index - Continued

Part No.	Key	Page	Part No.	Key	Page	Part No.	Key	Page
M811816	1	77	M84972	7	259	MIA11976	8	66
M811820	4	75	M84972	3	261	MIA11976	1	67
M811820	2	77	M87303	7	319	MIA11976	2	67
M811822	9	79	M87400	1	244	MIA11976	3	67
M811823	10	75	M87403	1	244	MIA11976	5	67
M811823	16	77	M87513	1	244	MIA11976	4	71
M811835	16	65	M87514	1	244	MIA12139	1	103
M811836	14	65	M87534	15	247	MIA12139	1	105
M811838	46	65	M87801	10	61	MIA12139	17	107
M811839	49	65	M87809	6	79	MIA12139	5	239
M811841	48	65	M87810	6	69	MIA12139	27	289
M811842	40	65	M87812	10	66	MIA12139	1	59
M811844	38	65	M87812	5	69	MIA12139	2	61
M811846	31	65	M87813	2	63	MIA12139	3	61
M811848	4	65	M87813	2	69	MIA12139	37	65
M811849	5	65	M87818	22	65	MIA12139	5	66
M811849	7	93	M87819	21	77	MIA12139	8	66
M811850	41	65	M87820	19	65	MIA12139	1	67
M811850	4	93	M87820	5	89	MIA12139	2	67
M811851	42	65	M87826	4	79	MIA12139	3	67
M811851	17	93	M87843	17	103	MIA12139	5	67
M811855	43	65	M87871	9	61	MIA12139	4	71
M811857	2	114	M87871	7	69	MIA12489	1	165
M811857	8	93	M87878	36	105	MIA12489	11	175
M811861	1	69	M87879	14	61	MIA12489	9	175
M811864	7	66	M87892	32	65	MIA12490	1	165
M811865	15	66	M87893	33	65	MIA12490	11	175
M811869	8	63	M87908	11	107	MIA12490	9	175
M811869	3	67	M88025	4	66	MIA13118	1	165
M811877	8	67	M88124	22	123	MIA13119	1	165
M811880	6	67	M88125	39	167	MIA13119	11	175
M811882	8	61	M88304	5	83	MIA13119	9	175
M811882	4	69	M88304	34	85	MIA13217	1	103
M811884	12	69	M89120	11	75	MIA13217	1	105
M811885	6	75	M89120	5	77	MIA13217	5	239
M811885	19	77	M89135	18	65	MIA13217	27	289
M811885	18	93	M89135	5	93	MIA13217	1	59
M811886	5	71	M89151	14	103	MIA13217	2	61
M811886	19	93	M89151	3	105	MIA13217	3	61
M811888	23	75	M89159	10	105	MIA13217	37	65
M811888	13	77	M89161	21	105	MIA13217	5	66
M811889	24	75	M89162	33	105	MIA13217	8	66
M811889	14	77	M89679	1	111	MIA13217	1	67
M811892	10	71	M93671	7	159	MIA13217	2	67
M811893	7	73	M94087	9	151	MIA13217	3	67
M811893	13	93	M95614	8	351	MIA13217	5	67
M811894	9	73	MCYP25876	4	146	MIA13217	4	71
M811895	13	73	MCYP25876	1	147	MIA880049	1	63
M811896	21	103	MIA10613	1	165	MIA880087	16	107
M811906	24	103	MIA10613	11	175	MIA880091	1	73
M811907	20	103	MIA10613	9	175	MIA880096	11	61
M811917	14	101	MIA10614	1	199	MIA880096	3	61
M811924	4	105	MIA10615	6	165	MIA880096	4	61
M811926	2	105	MIA10615	1	185	MIA880096	6	61
M811931	27	105	MIA10797	1	165	MIA880096	8	61
M811932	6	105	MIA10797	11	175	MIA880096	9	61
M811933	7	105	MIA10797	9	175	MIA880096	6	63
M811934	11	105	MIA11964	1	165	MIA880537	3	63
M811935	12	105	MIA11964	11	175	MIA880537	3	69
M811937	24	65	MIA11964	9	175	MIA880551	12	61
M811938	12	65	MIA11965	1	165	MIA880557	16	61
M811939	13	65	MIA11965	6	165	MIA880561	7	67
M811939	6	93	MIA11965	11	175	MIA880566	7	67
M811958	11	65	MIA11965	9	175	MIA880570	5	63
M811961	15	105	MIA11975	1	103	MIA880570	9	69
M811963	11	103	MIA11975	1	105	MIA880627	6	185
M811966	39	65	MIA11975	1	59	MIA880628	2	185
M811967	25	65	MIA11975	2	61	MIA880631	10	201
M811967	3	93	MIA11975	3	61	MIA880633	6	107
M811968	13	107	MIA11975	37	65	MIA880656	10	89
M811968	12	93	MIA11975	5	66	MIA880656	12	89
M811981	3	65	MIA11975	1	67	MIA880656	4	91
M81214	8	179	MIA11975	2	67	MIA880656	6	91
M81214	4	223	MIA11975	3	67	MIA880657	31	75
M81353	2	146	MIA11975	5	67	MIA880659	1	103
M81353	7	147	MIA11975	4	71	MIA880659	1	105
M84967	16	313	MIA11976	1	103	MIA880660	14	75
M84971	13	255	MIA11976	1	105	MIA880660	31	75
M84971	13	257	MIA11976	1	59	MIA881067	10	149
M84971	13	259	MIA11976	2	61	MIA881067	6	151
M84972	6	127	MIA11976	3	61	MIA881067	3	165
M84972	7	255	MIA11976	37	65	MIA881250	16	173
M84972	7	257	MIA11976	5	66	MIA881250	19	173

## Numerical Index - Continued

Part No.	Key	Page	Part No.	Key	Page	Part No.	Key	Page
MIA881250	31	173	MIU800459	16	167	MIU804721	23	125
MIA881290	5	107	MIU800476	15	75	MIU804722	24	125
MIA881295	17	118	MIU800522	11	197	MIU804723	25	125
MIA881295	18	118	MIU800522	34	197	MIU804724	26	125
MIA881493	25	105	MIU800522	35	197	MIU804725	27	125
MIA881494	13	105	MIU800522	17	203	MIU804726	28	125
MIA881862	2	177	MIU800522	31	203	MIU804727	29	125
MIA881909	41	167	MIU800522	32	203	MIU804728	32	125
MIA882091	1	73	MIU800572	7	61	MIU804729	33	125
MIA882091	6	73	MIU800598	11	69	MIU804730	4	125
MIA882276	1	101	MIU800619	2	103	MIU804760	14	66
MIA882276	7	101	MIU800620	30	105	MIU804760	24	93
MIA882280	14	107	MIU800638	22	123	MIU804762	8	101
MIA882281	17	107	MIU800642	47	65	MIU804763	6	101
MIA882331	2	61	MIU800654	8	183	MIU804764	6	67
MIA882331	15	93	MIU800655	21	185	MIU804786	14	167
MIA882333	15	65	MIU800656	10	185	MIU804786	15	167
MIA882333	36	65	MIU800657	15	185	MIU804786	11	203
MIA882333	37	65	MIU800658	20	185	MIU804787	19	105
MIA882333	47	65	MIU800659	19	185	MIU804787	3	173
MIA882333	48	65	MIU800660	14	185	MIU804787	22	181
MIA882334	5	66	MIU800661	17	185	MIU804788	20	65
MIA882335	1	67	MIU800666	12	185	MIU804788	21	75
MIA882337	2	67	MIU800669	11	201	MIU804788	12	77
MIA882338	2	67	MIU800689	8	89	MIU804788	20	93
MIA882340	1	67	MIU800690	28	123	MIU804804	24	105
MIA882341	5	67	MIU800693	17	65	MIU805200	38	105
MIA882343	1	107	MIU800694	13	66	MIU805441	4	71
MIA882344	2	107	MIU800695	1	71	MIU805594	11	197
MIA882345	3	107	MIU800696	2	75	MIU805594	17	203
MIA882348	1	93	MIU800815	28	105	MIU805954	24	65
MIA882684	1	59	MIU801295	16	118	MPTC10252	34	197
MIA882684	1	63	MIU801493	26	105	MPTC10252	31	203
MIA882698	1	63	MIU801499	11	66	MPTC10253	35	197
MIA883231	7	118	MIU801500	8	103	MPTC10253	32	203
MIA883232	3	61	MIU801501	14	105	MT2306	2	237
MIA883278	1	103	MIU801676	4	71	MT2308	10	237
MIA883278	1	105	MIU801967	9	167	MT2308	3	237
MIA883461	1	175	MIU801968	22	183	MT2308	9	237
MIA883461	1	177	MIU802007	2	61	MT2495	10	237
MIA883462	10	175	MIU802008	14	167	MT3562	5	331
MIA883462	7	175	MIU802020	11	169	MT3562	9	347
MIA883462	7	177	MIU802236	4	73	MT3562	6	349
MIA883465	12	167	MIU802457	24	65	MT3562	2	355
MIA883587	14	167	MIU802525	16	103	MT3563	15	347
MIA883622	14	167	MIU802534	14	66	MT3563	7	349
MIA883638	1	93	MIU802534	24	93	MT3563	5	355
MIA884153	41	167	MIU802535	15	66	MT4391	1	278
MIA884160	11	175	MIU802578	9	89	MT4391	2	278
MIA884161	11	175	MIU802609	47	65	MT4391	1	279
MIA884161	14	175	MIU802610	48	65	MT4391	2	279
MIA884539	12	63	MIU802617	3	67	MT4391	4	281
MIA884643	1	123	MIU802728	14	123	MT4391	2	345
MIA884643	2	123	MIU802947	5	114	MT6349	7	347
MIA884643	3	123	MIU803480	21	101	MT6349	8	349
MIA884643	5	123	MIU803779	2	167	MT6350	13	347
MIA884664	1	67	MIU803779	26	193	MT6350	9	349
MIA884665	1	67	MIU803779	25	195	MT6350	4	355
MIA884996	1	101	MIU804204	14	175	MT6773	6	351
MIA884996	7	101	MIU804204	9	175	N10217	10	83
MIA885009	10	63	MIU804205	11	175	N10217	26	85
MIA885009	5	67	MIU804205	14	175	N11502	1	244
MIA885010	5	67	MIU804501	41	105	N150466	1	244
MIA885095	1	73	MIU804701	2	125	N150467	1	244
MIA885226	19	123	MIU804702	3	125	N150470	1	244
MIA885646	5	107	MIU804703	34	125	N208573	10	117
MIU800002	29	123	MIU804704	35	125	N208574	9	117
MIU800004	14	203	MIU804705	6	125	P10456	1	179
MIU800005	13	201	MIU804706	7	125	P10456	15	179
MIU800006	19	201	MIU804707	8	125	P10456	5	206
MIU800007	16	201	MIU804708	9	125	PFA10882	11	161
MIU800008	17	201	MIU804709	10	125	PMK010-0406	6	83
MIU800009	18	201	MIU804710	11	125	PMK010-0406	24	85
MIU800071	2	73	MIU804711	13	125	PMK010-0406	12	87
MIU800072	3	73	MIU804712	14	125	R104570	16	137
MIU800108	10	73	MIU804713	15	125	R104570	3	141
MIU800110	40	105	MIU804714	16	125	R104570	16	145
MIU800255	1	114	MIU804715	17	125	R104571	16	137
MIU800256	3	79	MIU804716	18	125	R104571	3	141
MIU800282	12	73	MIU804717	19	125	R104571	16	145
MIU800345	42	105	MIU804718	20	125	R104846	5	143
MIU800364	25	103	MIU804719	21	125	R104846	6	143
MIU800453	16	107	MIU804720	22	125	R104846	7	143



## Numerical Index - Continued

<i>Part No.</i>	<i>Key</i>	<i>Page</i>	<i>Part No.</i>	<i>Key</i>	<i>Page</i>	<i>Part No.</i>	<i>Key</i>	<i>Page</i>
R104919	17	137	R76477	19	179	RG60663	30	125
R104921	4	139	R76477	30	311	RG60871	10	69
R104921	12	143	R77476	10	132	SE501858	1	125
R104922	12	131	R77476	14	132	SJ15808	31	141
R104922	4	139	R77476	6	133	SJ15808	13	145
R104922	12	143	R77476	19	139	SJ15809	21	151
R105130	1	155	R77476	23	143	SJ15811	25	139
R112693	33	85	R77479	14	301	SJ15811	29	143
R112693	13	87	R77480	14	128	SJ26757	2	333
R113897	11	181	R77480	5	131	SJ29449	16	283
R113899	9	181	R77480	12	139	SU47687	3	189
R113901	8	181	R77480	16	143	SU47687	3	206
R114046	2	181	R77502	2	132	SU47687	2	247
R114408	6	183	R77502	3	132	SU47687	4	297
R114408	15	203	R77502	4	133	T110452	6	103
R117581	21	87	R78053	5	128	T110711	4	71
R122857	6	157	R78053	10	131	T110736	18	73
R122858	7	157	R78053	15	134	T110737	19	73
R125433	4	185	R78053	21	137	T110737	22	93
R126831	15	263	R78053	7	139	T110750	17	105
R126833	4	263	R78053	12	141	T110750	20	107
R136239	3	155	R78053	8	143	T110750	24	107
R26375	27	209	R78053	5	145	T110750	12	169
R26375	28	211	R78053	2	301	T110808	7	118
R26375	14	237	R78053	6	301	T111401	9	101
R26375	1	239	R78055	13	151	T111563	5	125
R26375	1	241	R78058	7	139	T111874	15	105
R26375	3	241	R78059	13	151	T114104	5	177
R26375	1	249	R78060	13	137	T114124	20	105
R26375	3	252	R78060	6	137	T114158	21	107
R26375	21	289	R78060	17	141	T177753	13	118
R26375	4	293	R78060	9	141	T23876	31	293
R26375	18	297	R78060	2	145	T23876	28	297
R26448	10	149	R78060	7	145	T24166	37	151
R26448	20	149	R78060	39	151	T24167	1	128
R26448	14	151	R78063	2	133	T24167	4	131
R26448	2	165	R78063	39	151	T24167	6	132
R26448	3	165	R78064	7	132	T24167	5	133
R26448	5	249	R78064	8	132	T24167	2	134
R26448	7	289	R78064	9	132	T24167	14	137
R26448	12	293	R78064	17	134	T24167	13	139
R26448	22	297	R78064	18	134	T24167	18	139
R26552	14	169	R78064	23	139	T24167	1	141
R26871	18	109	R78064	17	141	T24167	22	143
R26871	1	179	R78064	9	141	T24167	4	143
R26871	10	179	R78064	28	143	T24167	35	145
R26871	8	206	R78064	2	145	T24871	1	244
R26871	8	225	R78064	7	145	T28583	6	128
R26871	8	227	R78065	31	139	T28583	12	301
R26871	1	313	R78065	10	143	T28585	13	301
R26906	12	239	R78065	13	143	T28586	11	335
R27448	26	289	R78065	2	143	T372848	49	261
R27449	20	241	R78065	12	335	T55501	1	152
R27449	29	289	R78065	13	335	T72287	34	313
R27533	32	289	R78065	14	335	T77613	7	209
R27533	28	293	R78069	31	139	T77613	7	211
R27533	35	297	R78069	13	143	T77613	7	249
R28782	21	197	R91155	15	181	T77613	1	252
R28782	14	205	R92205	17	149	T77814	22	197
R28782	37	209	RE12363	14	134	T77814	15	205
R28782	50	211	RE12363	22	137	T77814	8	209
R28782	19	249	RE12363	11	141	T77814	8	211
R29936	42	289	RE12363	3	145	T77814	17	249
R35668	14	146	RE12363	39	151	T77857	12	209
R44302	12	193	RE12365	17	134	T77857	10	211
R46205	27	223	RE12365	18	134	T77857	15	237
R52683	11	239	RE12365	6	134	T77857	19	241
R527703	5A	353	RE12365	13	137	T77857	3	249
R529956	5B	353	RE12365	23	137	T77857	9	289
R56101	14	118	RE12365	6	137	T77857	5	293
R62356	23	209	RE12365	16	141	T77857	17	297
R62356	53	211	RE12365	17	141	T78787	33	151
R62356	18	289	RE12365	9	141	T78787	12	241
R62356	34	293	RE12365	2	145	TA30513	1	123
R62356	19	297	RE12365	24	145	TCA12346	5	151
R75562	6	239	RE12365	7	145	TCA15075	2	149
R75562	6	241	RE12411	3	165	TCA15075	2	151
R76477	16	128	RE180265	24	137	TCA15548	10	231
R76477	16	132	RE180265	33	141	TCA15548	1	339
R76477	8	133	RE180265	12	145	TCA16097	11	255
R76477	20	134	RE180265	20	151	TCA16097	11	257
R76477	18	137	RE39116	10	149	TCA16097	11A	259
R76477	30	151	RG60067	26	123	TCA16417	4	187

## Numerical Index - Continued

Part No.	Key	Page	Part No.	Key	Page	Part No.	Key	Page
TCA16417	4	189	TCA20621	1	243	TCA23106	30	87
TCA16548	18	255	TCA20621	1	244	TCA23107	31	87
TCA16548	18	257	TCA20676	29	255	TCA23466	23A	249
TCA16548	18A	259	TCA20676	1	257	TCA23673	3	113
TCA16562	1	255	TCA20676	1	259	TCA23695	11C	259
TCA16597	7	187	TCA20714	29	255	TCA23809	10	237
TCA16597	7	189	TCA20714	1	257	TCA23809	12	237
TCA16599	2A	127	TCA20714	34	257	TCA23809	9	237
TCA16601	16	301	TCA20714	1	279	TCA23949	4	249
TCA16602	17	128	TCA20778	1	215	TCA24020	31B	209
TCA16602	17	132	TCA20778	2	215	TCA24020	32B	211
TCA16602	22	134	TCA20779	1	215	TCA24037	12	227
TCA16604	1	179	TCA20779	2	215	TCA24055	11	189
TCA16614	3	115	TCA20780	1	219	TCA24314	1	221
TCA16828	34	289	TCA20780	11	219	TCA24314	2	221
TCA16828	18	293	TCA20780	2	219	TCA24315	1	221
TCA16829	33	289	TCA20780	3	219	TCA24316	1	221
TCA16829	19	293	TCA20781	1	219	TCA24320	1	265
TCA16835	13	223	TCA20781	11	219	TCA24320	1	267
TCA16836	12	223	TCA20781	2	219	TCA24321	2	265
TCA16880	1	80	TCA20781	3	219	TCA24322	8	263
TCA16880	12	83	TCA20782	5	215	TCA24323	2	267
TCA16880	10	85	TCA20782	6	219	TCA24324	8	263
TCA16900	14	99	TCA20815	17	128	TCA24325	19	263
TCA16900	18	99	TCA20815	17	132	TCA24326	19	263
TCA17184	19	261	TCA20815	22	134	TCA24615	3	151
TCA17271	1	235	TCA20816	13	223	TCA24710	1	259
TCA17284	4	249	TCA20817	12	223	TCA24718	1	80
TCA17285	14	111	TCA20892	20	83	TCA24718	12	83
TCA17288	29	209	TCA20892	35	85	TCA24718	10	85
TCA17288	30	211	TCA20928	12	227	TCA24718	2	87
TCA17292	31A	209	TCA20929	20	83	TCA24865	1	131
TCA17292	32A	211	TCA20929	35	85	TCA24865	1	133
TCA17399	19	263	TCA20929	7	85	TCA24865	1	137
TCA17400	19	263	TCA21042	19	263	TCA24910	27	151
TCA17404	1	263	TCA21043	19	263	TCA25002	12	223
TCA17404	2	263	TCA21044	1	263	TCA25273	1	117
TCA17682	1	278	TCA21044	2	263	TCA26088	3	151
TCA18278	18	149	TCA21082	31A	209	TCA26134	27	197
TCA18278	12	151	TCA21082	32A	211	TCA26134	39	209
TCA18278	14	85	TCA21212	1	257	TCA26135	17	205
TCA18278	20	87	TCA21212	1	259	TCA26135	49	211
TCA18470	3	225	TCA21226	1	227	TCA26174	15	261
TCA18470	6	225	TCA21230	34	257	TCA26174	16	261
TCA18471	3	225	TCA21230	1	281	TCA26261	2	331
TCA18471	6	225	TCA21257	29	297	TCA26261	9	353
TCA18946	33	109	TCA21289	2	269	TCA26271	2	329
TCA19177	39	109	TCA21289	2	270	TCA26273	12	325
TCA19583	2B	127	TCA21290	2	272	TCB10910	1	228
TCA19583	37	261	TCA21290	2	274	TCB10910	5	339
TCA19654	14	309	TCA21291	1	325	TCB11078	49	289
TCA19654	18	311	TCA21291	13	337	TCB11193	..	301
TCA19657	1	255	TCA21292	2	325	TCB11193	1	301
TCA19657	31	255	TCA21292	2	337	TCB11479	24	309
TCA19657	32	257	TCA21438	1	235	TCB11681	1	290
TCA19657	29	259	TCA21439	1	237	TCU12355	28	109
TCA19670	3	311	TCA21439	17	237	TCU13554	12	117
TCA19671	4	311	TCA21440	8	241	TCU13554	32	259
TCA19672	6	311	TCA21445	3	227	TCU13554	8	353
TCA19673	29	311	TCA21503	11	187	TCU13555	20	349
TCA19719	1	255	TCA21643	3	215	TCU13555	8	355
TCA19719	29	255	TCA21643	5	219	TCU14113	27	109
TCA19719	1	257	TCA21644	6	215	TCU14113	12	225
TCA19738	1	179	TCA21644	4	219	TCU14113	6	227
TCA19758	1	237	TCA21645	2	215	TCU14210	8	251
TCA19916	17	118	TCA21645	2	219	TCU14292	35	169
TCA19999	1	255	TCA22398	1	179	TCU15152	12	351
TCA19999	30	255	TCA22442	1	117	TCU17574	6	187
TCA19999	33	257	TCA22469	1	87	TCU17574	6	189
TCA19999	1	259	TCA22500	2	119	TCU18704	1	179
TCA19999	33	259	TCA22511	3	119	TCU18704	14	179
TCA20000	1	257	TCA22512	1	119	TCU18704	6	206
TCA20000	30	257	TCA22740	1	149	TCU18704	7	223
TCA20000	1	259	TCA22740	2	149	TCU19565	13	231
TCA20000	27	259	TCA22740	1	151	TCU19565	2	339
TCA20038	1	259	TCA22740	2	151	TCU19766	7	251
TCA20189	1	131	TCA22846	2	215	TCU19766	20	261
TCA20189	1	133	TCA22846	2	219	TCU20630	9	225
TCA20189	1	137	TCA22847	2	215	TCU20631	10	225
TCA20351	18B	259	TCA22847	2	219	TCU20777	3	235
TCA20375	11B	259	TCA22871	32	297	TCU21120	36	289
TCA20406	2	147	TCA22872	31	297	TCU21208	11	187
TCA20407	3	147	TCA23105	29	87	TCU21428	15	255

## Numerical Index - Continued

Part No.	Key	Page	Part No.	Key	Page	Part No.	Key	Page
TCU21428	15	257	TCU27871	17	118	TCU32529	7	281
TCU21428	15	259	TCU27871	15	345	TCU32529	3A	353
TCU21540	1	261	TCU28085	11	83	TCU32529	3B	353
TCU21594	17	83	TCU28085	25	85	TCU32674	4	117
TCU21595	19	83	TCU28395	20	231	TCU32810	1	225
TCU21595	22	85	TCU28647	28	85	TCU32810	7	227
TCU21596	14	83	TCU28790	29	85	TCU32885	33	297
TCU21597	16	83	TCU28790	9	87	TCU32971	14	87
TCU21601	16	111	TCU28928	7	117	TCU33210	25	87
TCU21825	6A	345	TCU28974	37	109	TCU33211	22	87
TCU21920	15	83	TCU28974	11	237	TCU33214	19	87
TCU21920	23	85	TCU28982	8	66	TCU33324	10	83
TCU21920	26	87	TCU29061	15A	195	TCU33324	26	85
TCU22175	10	239	TCU29062	14	195	TCU33325	10	83
TCU22175	9	241	TCU29063	10A	195	TCU33325	24	87
TCU22176	45	289	TCU29064	4	147	TCU33333	27	109
TCU22341	9	118	TCU29087	11A	195	TCU33333	12	225
TCU22625	21	309	TCU29335	15	151	TCU33333	6	227
TCU22625	26	311	TCU29438	13	319	TCU33336	40	109
TCU22670	18	83	TCU29536	1A	353	TCU33336	14	179
TCU22671	26	249	TCU29537	2A	353	TCU33336	6	206
TCU22721	50	289	TCU29612	13	179	TCU33336	7	223
TCU22722	13	239	TCU29787	30	85	TCU33388	14	195
TCU22724	9	239	TCU29798	10A	351	TCU33409	4	127
TCU22740	7	235	TCU29828	1	261	TCU33409	43	261
TCU22740	12	66	TCU29836	7	215	TCU33489	1	301
TCU22741	13	235	TCU29836	7	219	TCU34051	27	297
TCU22742	14	235	TCU29888	18	101	TCU34270	3	349
TCU22836	28	255	TCU29888	15	113	TCU34270	11	355
TCU22836	28	257	TCU29912	27	85	TCU34273	2	281
TCU22836	10	349	TCU29912	18	87	TCU34274	3	281
TCU22837	27	255	TCU29933	14	139	TCU34275	6	281
TCU22837	29	257	TCU29933	23	141	TCU34275	11	351
TCU22837	11	349	TCU29933	3	143	TCU35532	1	113
TCU22972	11	83	TCU29933	36	145	TCU35533	7	113
TCU23244	12A	255	TCU29967	2	275	TCU35589	14	111
TCU23245	1A	353	TCU29967	1	276	TCU35589	6	113
TCU23255	2A	353	TCU29976	42	261	TCU35915	11	281
TCU23280	14	239	TCU29976	1B	345	TCU35915	6	353
TCU24200	16	83	TCU29977	40	261	TCU35916	12	281
TCU24201	19	83	TCU29977	4B	345	TCU35916	7	353
TCU24209	22	147	TCU29983	6B	345	TCU35917	13	351
TCU24636	14	345	TCU29984	17	345	TCU36380	30	249
TCU24637	1	278	TCU29985	2	309	TCU36573	13	113
TCU24637	3	278	TCU29985	5	311	TCU36599	9	281
TCU24637	1	279	TCU30005	22	231	TCU36599	1B	353
TCU24637	3	279	TCU30008	19	147	TCU36599	1C	353
TCU24637	5	281	TCU30009	18	147	TCU36600	10	281
TCU24637	3	331	TCU30010	15	146	TCU36600	2B	353
TCU24637	8	345	TCU30010	17	147	TCU36600	2C	353
TCU24827	7B	109	TCU30043	22	231	TCU36601	10B	351
TCU24833	35	109	TCU30301	3	269	TCU36601	10C	351
TCU24833	12B	255	TCU30301	3	270	TCU37651	14	113
TCU24833	12	257	TCU30302	3	272	TCU37653	11	83
TCU24833	12	259	TCU30382	30	293	TCU37653	25	85
TCU24906	1	225	TCU30383	16A	345	TCU37653	7	87
TCU24906	7	227	TCU30414	2	276	TCU37654	15A	195
TCU25024	16	149	TCU30472	3	274	TCU37654	15B	195
TCU25024	3	225	TCU30473	1	261	TCU37655	8	117
TCU25721	8	239	TCU30523	1	261	TCU37705	11A	195
TCU25721	7	241	TCU30523	22	261	TCU37705	11B	195
TCU26540	10	319	TCU30554	11	117	TCU37712	25	261
TCU26800	3A	353	TCU30554	31	259	TCU37712	20	263
TCU27167	19	311	TCU30846	3	250	TCU37890	6	239
TCU27203	1	255	TCU30846	1	251	TCU37890	6	241
TCU27203	32	255	TCU31018	2	227	TCU38033	9	87
TCU27203	27	257	TCU31128	1B	353	TCU38482	11B	195
TCU27203	30	259	TCU31129	2B	353	TCU38482	12	195
TCU27238	8	311	TCU31130	10B	351	TCU38482	15A	195
TCU27296	21	311	TCU31167	3	325	TCU38498	31	151
TCU27738	45	261	TCU31167	3	337	TCU38498	16B	345
TCU27738	8	281	TCU31307	3	219	TCU38630	8	215
TCU27738	4	353	TCU31308	3	219	TCU38630	8	219
TCU27739	16	347	TCU31309	4	215	TCU38665	28	255
TCU27739	16	349	TCU31360	19	349	TCU38665	28	257
TCU27739	6	355	TCU31360	7	355	TCU38665	10	349
TCU27778	7	351	TCU31996	1	80	TCU38666	29	257
TCU27779	1	118	TCU31996	2	80	TCU38666	11	349
TCU27779	2	118	TCU31996	12	83	TCU38850	10A	195
TCU27779	3	118	TCU31996	10	85	TCU38850	10B	195
TCU27779	4	118	TCU31996	3	87	TCU39751	7	261
TCU27779	5	118	TCU32067	31	223	TCU39751	9	261
TCU27779	6	118	TCU32067	8	237	TCU39752	10	261

## Numerical Index - Continued

<i>Part No.</i>	<i>Key</i>	<i>Page</i>	<i>Part No.</i>	<i>Key</i>	<i>Page</i>	<i>Part No.</i>	<i>Key</i>	<i>Page</i>
TCU39752	8	261	VG10677	2	347			
TCU39753	1	261	VG10678	3	347			
TCU39753	2	261	VG10843	6	326			
TH104635	17	311	VG10844	5	326			
TY15934	5	167	VG10849	17	193			
TY22462	19	107	VG10850	20	193			
TY22462	22	107	VG10850	27	195			
TY22462	6	107	VG10851	6	193			
TY22462	17	113	VG10853	25	193			
TY22462	8	83	VG10853	16	195			
TY22462	13	85	VG10854	11	193			
TY22462	10	87	VG10855	5	261			
TY22462	2	99	VG10911	7	193			
TY22466	24	209	VG10911	8	193			
TY22466	25	211	VG10911	9	345			
TY22466	11	241	VG10988	47	289			
TY22466	33	249	VG10989	40	289			
TY22467	7	239	VG11077	13	231			
TY22467	24	289	VG11082	1	326			
TY22467	38	297	VG11242	4	193			
TY22467	13	83	VG11242	18	195			
TY22467	12	85	VG11433	31	83			
TY22467	11	87	VG11433	11	85			
TY22470	14	111	VGA10291	6	321			
TY22470	15	111	VGA10292	1	321			
TY22470	2	113	VGA10295	26	83			
TY24467	4	146	VGA10295	2	85			
TY25876	4	146	VGA10351	8	231			
TY25876	1	147	VGA10374	10	231			
TY25876B	4	146	VGA10412	18	157			
TY25876B	1	147	VGA10415	5	159			
UC10104	3	151	VGA10416	12	159			
UC12620	2	261	VGA10417	13	159			
UC12621	9	261	VGA10418	7	317			
UC12622	10	261	VGA10423	8	317			
UC13915	7	161	VGA10493	7	193			
UC14846	4	237	VGA10609	2	326			
UC15019	30	261	VGA10613	38	289			
UC15019	4	281	VGA10724	18	313			
UC15020	31	261	VGA10725	5	313			
UC15021	32	261	VGA10726	32	313			
UC15022	34	261	VGA10727	27	313			
UC15022	10	281	VGA10728	31	313			
UC15022	11	281	VGA10729	15	313			
UC15022	12	281	VGA10730	20	313			
UC15022	16	281	VGA10732	4	305			
UC15022	7	281	VGA10733	3	305			
UC15022	9	281	VGA10738	7	127			
UC15248	33	261	VGA10770	32	83			
UC15248	5	281	VGA10770	1	85			
UC17370	29	151	VGA10876	46	289			
UC17370	2	259	VGB10030	..	321			
UC21918	37	141	VGB10040	7	326			
UC21918	20	145	VGB10058	11	252			
UC22803	14	195	W42991	8	252			
UC24042	4	161	X125HBL-5-2	4	113			
UC24982	16	113	X125HBL-5-2	16	85			
UC24982	7	83	X125HBL-5-2	4	87			
UC24982	9	83	Z41659	11	109			
UC24982	15	85	Z41659	1	179			
UC24982	23	87	Z41659	2	179			
UC24982	32	87						
UC24982	19	99						
UC24982	20	99						
UC24982	3	99						
UC25687	29	145						
UC26089	5	335						
UC26090	6	335						
UC26091	7	335						
UC27387	47	261						
UC27401	3	250						
UC27401	1	251						
UC28967	3	283						
UC28967	5	285						
UC29273	21	349						
UC32488	6	241						
UC32739	26	209						
UC32739	27	211						
UC37924	48	261						
UC38222	1	244						
UC38223	1	244						
UC38224	1	244						
VG10657	5	321						