

220SL
PrecisionCut™ Walk Greens Mower



JOHN DEERE

PARTS CATALOG

220SL
PrecisionCut™ Greens Mower

PC10504 (Feb-24) English

John Deere Horicon Works

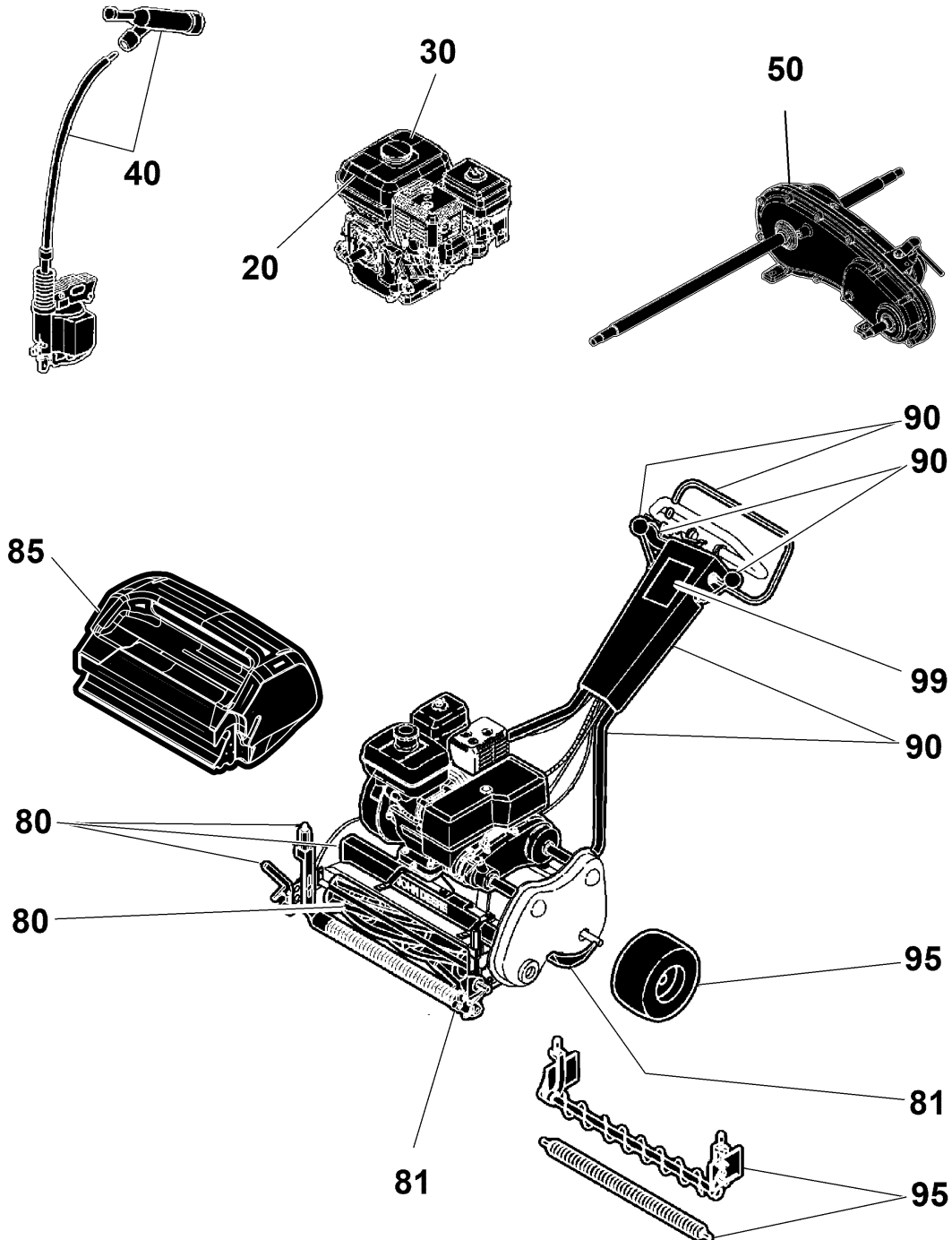
Worldwide Edition
Printed in U.S.A. (Revised)
COPYRIGHT © 2024
DEERE & COMPANY
Moline, Illinois
All rights reserved



Primary Pictorial Index
 Index d'illustrations principal
 Hauptbildindex
 Indice principale illustrato
 Índice primario de ilustraciones
 Huvudbildregister

PU42615 A.1

20-	41
20-	53
20-	65
30-	77
40-	89
50-	93
80-	103
81-	115
85-	131
90-	133
95-	145
99-	175



PU42615

220SL PrecisionCut™ Walk Greens Mower

A.1



MP25530

- 2011 Model (Serial No. 1M0220SA++M010001- 020000)
- 2012 Model (Serial No. 1M0220SA++M020001- 030000)
- 2013 Model (Serial No. 1M0220SA++M030001- 040000)
- 2014 Model (Serial No. 1M0220SA++M040001- 050000)
- 2015 Model (Serial No. 1M0220SA++M050001- 060000)
- 2016 Model (Serial No. 1M0220SA++M060001- 070000)
- 2017 Model (Serial No. 1M0220SA++M070001-080000)
- 2018 Model (Serial No. 1M0220SA++M080001-090000)
- 2019 Model (Serial No. 1M0220SA++M090001-100000)
- 2020 Model (Serial No. 1M0220SA++M100001-110000)
- 2021 Model (Serial No. 1M0220SA++M110001- 120000)
- 2022 Model (Serial No. 1M0220SA++M120001-130000)
- 2023 Model (Serial No. 1M0220SA++M130001-140000)
- 2024 Model (Serial No. 1M0220SA++M140001-)

(specifications and design subject to change without notice)

Product Identification and Serial Number Plate

An Individual Product Identification And Serial Number Is Assigned To Each Machine. When Writing About Or Filling Out Warranty Claims, Use All The Characters Shown On The Plate.

Example: 1M0220SA++M010001

1M0- Factory Designation Turf Care
 220SA- Model Or Machine Designation 220SL PCWGM
 SA- Configuration Code
 ++- Random Number
 M- Calender Year
 010001- Serial Number

Product Configuration Code

The configuration "alpha" code identifies a variation of a product. Example: A machine may be manufactured as a two-wheel or four-wheel drive unit, and be shipped with standard or wide cutting units; thus four variations of the same machine exist. It also identifies different products which have the same model or machine designation (a tractor and an attachment tiller may have the same model numbers). If no configuration "alpha" code is required, space is filled in with an "X".

Serial Number Listing Information

Serial number information is listed to show on which machines each part can be used; for example:

- The part can be used on all products.
- 000000 - The part can be used on products beginning with the serial number listed.
- 000000 The part can be used on products up to and including the serial number listed.
- 000000 - 000000 The part can be used on products between and including the serial number listed.

When XXXXXX's are listed in place of a serial number, a serial number change was made, but the exact serial number was not available at the time of publication.

To The Customer

The part numbers in this Parts Catalog were correct at the time of publication. Per John Deere policy, we continuously improve our products. Therefore, when ordering parts verify the part numbers with your dealer.

SI Units of Measure

Metric dimensions are provided as applicable throughout this parts catalog.

Bolt And Cap Screw Strength Identification

Bolts and cap screws required to have high-strength qualities equivalent to metric property class 10.9 (SAE grade 8) or higher are identified throughout this catalog by the description 10.9, 12.9 or 14.9. All standard bolts and cap screws are metric property class 8.8 (SAE grade 5) or lower.

Illustrations

Illustrations in this catalog are only intended as a reference for dealers and customers. These illustrations do not necessarily represent the exact view of the parts.

Box-Enclosed Illustrations

Box-enclosed keyed parts in the illustration are available as a service assembly or an attachment. These parts may also include parts not available for service. The illustrations may not show all individual parts of an attachment. A box not keyed includes non-current parts.

Orientation Of Product

An arrow shown with an illustration is to indicate the direction of product forward travel. Right Hand (RH) and Left Hand (LH) sides are determined by product forward travel.

Orientation of Engine

Right Hand (RH) and Left Hand (LH) sides are determined by standing at flywheel and facing the engine.

John Deere Remanufactured Components

The REMAN parts listed in this catalog are intended for the repair or replacement of failed or worn original equipment components. John Deere Reman components are manufactured to stringent John Deere standards and produced to original John Deere specifications that incorporates the latest design and performance improvement updates.

Ag and Turf Turf and Utility ? Trademarks

7-Iron™	Quik-Trak™	Mulch On Demand™
Aercore™	Ready To Mow™	Trail Gator™
Auto 4x4 Wheel Drive™	RGator™	Turf Gator™
AutoConnect™	Roll-Gard™	X700™
AutoTrac™	iMatch™	ZTrak™
Buck™	John Deere™	Funk™
Gator™	SelectSpray™	iTorque™
Greens Tender™	TerrainCut™	Phoenix™
Precision Cut Reel™	E-Gator™	PowerTech™
PrecisionCut™	eHydro™	TMII™
ProGator™	EZtrak™	TMIII™

Ag and Turf Turf and Utility ? Terms and Abbreviations

Phrase	Meaning	Phrase	Meaning
A/C	Air Conditioning	NSEP	Not Supplied Separately
ALSO ORDER	Also Order	OD	Outside Diameter
AND	and	OOS	Open Operator's Station
APPL	This Application Only	OPTION	Option
AR	As Required	OPTIONAL	Optional
ASSY	Complete Assembly	OR	Or
CNLA	Complete No Longer Available (Order Individual Parts)	ORD	Order
COMPLETE	Complete	ORD W/	Order With
CTL	Cut To Length	OS	Oversize
CW	Clockwise	OUTER	Outer
ECU	Engine Control Unit	PKG	Package of
FI	Field Installation Kit	PTO	Power Take-Off
FIP	Fuel Injection Pump	RATIO	Ratio
FOR	For	RCU	Reverser Control Unit
FRONT	Front	REAR	Rear
HS, HEAD MARKED	High Strength, Head Marked	REMAN	Remanufactured
HTC	Heater Control Unit	RH	Right Hand
ID	Inside Diameter	SCV	Selective Control Valve
INCL	Includes	STD	Standard
INCL KEYS	Including Keys	SUB	Replaced by
INCLUDE PARTS MARKED	Include Parts Marked	SUB COMPONENTS	Sub Components
INNER	Inner	SUB FOR	Substitute for
KIT	Kit	TK	Thickness
LGTH	Length	UIM	User Interface Module
LH	Left Hand	UP	Upper
LOW	Lower	US	Undersize
MARKED	Marked	USE WITH	Use With
MF	Made From	W/	With
MFWD	Mechanical Front Wheel Drive	W/O	Without
NA	Not Applicable	Z	Gear and Sprocket Teeth Number
NLA	No Longer Available		

220SL PrecisionCut™ Walk Greens Mower

A.1



MP25530

- 2011 Model (Serial No. 1M0220SA++M010001– 020000)
- 2012 Model (Serial No. 1M0220SA++M020001– 030000)
- 2013 Model (Serial No. 1M0220SA++M030001– 040000)
- 2014 Model (Serial No. 1M0220SA++M040001– 050000)
- 2015 Model (Serial No. 1M0220SA++M050001– 060000)
- 2016 Model (Serial No. 1M0220SA++M060001– 070000)
- 2017 Model (Serial No. 1M0220SA++M070001-080000)
- 2018 Model (Serial No. 1M0220SA++M080001-090000)
- 2019 Model (Serial No. 1M0220SA++M090001-100000)
- 2020 Model (Serial No. 1M0220SA++M100001-110000)
- 2021 Model (Serial No. 1M0220SA++M110001- 120000)
- 2022 Model (Serial No. 1M0220SA++M120001-130000)
- 2023 Model (Serial No. 1M0220SA++M130001-140000)
- 2024 Model (Serial No. 1M0220SA++M140001-)

(specifications and design subject to change without notice)

Product Identification and Serial Number Plate

An Individual Product Identification And Serial Number Is Assigned To Each Machine. When Writing About Or Filling Out Warranty Claims, Use All The Characters Shown On The Plate.

Example: 1M0220SA++M010001

1M0- Factory Designation Turf Care
 220SA- Model Or Machine Designation 220SL PCWGM
 SA- Configuration Code
 ++- Random Number
 M- Calender Year
 010001- Serial Number

Product Configuration Code

The configuration "alpha" code identifies a variation of a product. Example: A machine may be manufactured as a two-wheel or four-wheel drive unit, and be shipped with standard or wide cutting units; thus four variations of the same machine exist. It also identifies different products which have the same model or machine designation (a tractor and an attachment tiller may have the same model numbers). If no configuration "alpha" code is required, space is filled in with an "X".

Serial Number Listing Information

Serial number information is listed to show on which machines each part can be used; for example:

- The part can be used on all products.
- 000000 - The part can be used on products beginning with the serial number listed.
- 000000 The part can be used on products up to and including the serial number listed.
- 000000 - 000000 The part can be used on products between and including the serial number listed.

When XXXXXX's are listed in place of a serial number, a serial number change was made, but the exact serial number was not available at the time of publication.

To The Customer

The part numbers in this Parts Catalog were correct at the time of publication. Per John Deere policy, we continuously improve our products. Therefore, when ordering parts verify the part numbers with your dealer.

SI Units of Measure

Metric dimensions are provided as applicable throughout this parts catalog.

Bolt And Cap Screw Strength Identification

Bolts and cap screws required to have high-strength qualities equivalent to metric property class 10.9 (SAE grade 8) or higher are identified throughout this catalog by the description 10.9, 12.9 or 14.9. All standard bolts and cap screws are metric property class 8.8 (SAE grade 5) or lower.

Illustrations

Illustrations in this catalog are only intended as a reference for dealers and customers. These illustrations do not necessarily represent the exact view of the parts.

Box-Enclosed Illustrations

Box-enclosed keyed parts in the illustration are available as a service assembly or an attachment. These parts may also include parts not available for service. The illustrations may not show all individual parts of an attachment. A box not keyed includes non-current parts.

Orientation Of Product

An arrow shown with an illustration is to indicate the direction of product forward travel. Right Hand (RH) and Left Hand (LH) sides are determined by product forward travel.

Orientation of Engine

Right Hand (RH) and Left Hand (LH) sides are determined by standing at flywheel and facing the engine.

John Deere Remanufactured Components

The REMAN parts listed in this catalog are intended for the repair or replacement of failed or worn original equipment components. John Deere Reman components are manufactured to stringent John Deere standards and produced to original John Deere specifications that incorporates the latest design and performance improvement updates.

Ag and Turf Turf and Utility ? Trademarks

7-Iron™	Quik-Trak™	Mulch On Demand™
Aercore™	Ready To Mow™	Trail Gator™
Auto 4x4 Wheel Drive™	RGator™	Turf Gator™
AutoConnect™	Roll-Gard™	X700™
AutoTrac™	iMatch™	ZTrak™
Buck™	John Deere™	Funk™
Gator™	SelectSpray™	iTorque™
Greens Tender™	TerrainCut™	Phoenix™
Precision Cut Reel™	E-Gator™	PowerTech™
PrecisionCut™	eHydro™	TMII™
ProGator™	EZtrak™	TMIII™

Ag and Turf Turf and Utility ? Terms and Abbreviations

Phrase	Meaning	Phrase	Meaning
A/C	Air Conditioning	NSEP	Not Supplied Separately
ALSO ORDER	Also Order	OD	Outside Diameter
AND	and	OOS	Open Operator's Station
APPL	This Application Only	OPTION	Option
AR	As Required	OPTIONAL	Optional
ASSY	Complete Assembly	OR	Or
CNLA	Complete No Longer Available (Order Individual Parts)	ORD	Order
COMPLETE	Complete	ORD W/	Order With
CTL	Cut To Length	OS	Oversize
CW	Clockwise	OUTER	Outer
ECU	Engine Control Unit	PKG	Package of
FI	Field Installation Kit	PTO	Power Take-Off
FIP	Fuel Injection Pump	RATIO	Ratio
FOR	For	RCU	Reverser Control Unit
FRONT	Front	REAR	Rear
HS, HEAD MARKED	High Strength, Head Marked	REMAN	Remanufactured
HTC	Heater Control Unit	RH	Right Hand
ID	Inside Diameter	SCV	Selective Control Valve
INCL	Includes	STD	Standard
INCL KEYS	Including Keys	SUB	Replaced by
INCLUDE PARTS MARKED	Include Parts Marked	SUB COMPONENTS	Sub Components
INNER	Inner	SUB FOR	Substitute for
KIT	Kit	TK	Thickness
LGTH	Length	UIM	User Interface Module
LH	Left Hand	UP	Upper
LOW	Lower	US	Undersize
MARKED	Marked	USE WITH	Use With
MF	Made From	W/	With
MFWD	Mechanical Front Wheel Drive	W/O	Without
NA	Not Applicable	Z	Gear and Sprocket Teeth Number
NLA	No Longer Available		

220SL PrecisionCut™ Walk Greens Mower

A.1



MP25530

- 2011 Model (Serial No. 1M0220SA++M010001- 020000)
- 2012 Model (Serial No. 1M0220SA++M020001- 030000)
- 2013 Model (Serial No. 1M0220SA++M030001- 040000)
- 2014 Model (Serial No. 1M0220SA++M040001- 050000)
- 2015 Model (Serial No. 1M0220SA++M050001- 060000)
- 2016 Model (Serial No. 1M0220SA++M060001- 070000)
- 2017 Model (Serial No. 1M0220SA++M070001-080000)
- 2018 Model (Serial No. 1M0220SA++M080001-090000)
- 2019 Model (Serial No. 1M0220SA++M090001-100000)
- 2020 Model (Serial No. 1M0220SA++M100001-110000)
- 2021 Model (Serial No. 1M0220SA++M110001- 120000)
- 2022 Model (Serial No. 1M0220SA++M120001-130000)
- 2023 Model (Serial No. 1M0220SA++M130001-140000)
- 2024 Model (Serial No. 1M0220SA++M140001-)

(specifications and design subject to change without notice)

Product Identification and Serial Number Plate

An Individual Product Identification And Serial Number Is Assigned To Each Machine. When Writing About Or Filling Out Warranty Claims, Use All The Characters Shown On The Plate.

Example: 1M0220SA++M010001

1M0- Factory Designation Turf Care
 220SA- Model Or Machine Designation 220SL PCWGM
 SA- Configuration Code
 ++- Random Number
 M- Calender Year
 010001- Serial Number

Product Configuration Code

The configuration "alpha" code identifies a variation of a product. Example: A machine may be manufactured as a two-wheel or four-wheel drive unit, and be shipped with standard or wide cutting units; thus four variations of the same machine exist. It also identifies different products which have the same model or machine designation (a tractor and an attachment tiller may have the same model numbers). If no configuration "alpha" code is required, space is filled in with an "X".

Serial Number Listing Information

Serial number information is listed to show on which machines each part can be used; for example:

- The part can be used on all products.
- 000000 - The part can be used on products beginning with the serial number listed.
- 000000 The part can be used on products up to and including the serial number listed.
- 000000 - 000000 The part can be used on products between and including the serial number listed.

When XXXXXX's are listed in place of a serial number, a serial number change was made, but the exact serial number was not available at the time of publication.

To The Customer

The part numbers in this Parts Catalog were correct at the time of publication. Per John Deere policy, we continuously improve our products. Therefore, when ordering parts verify the part numbers with your dealer.

SI Units of Measure

Metric dimensions are provided as applicable throughout this parts catalog.

Bolt And Cap Screw Strength Identification

Bolts and cap screws required to have high-strength qualities equivalent to metric property class 10.9 (SAE grade 8) or higher are identified throughout this catalog by the description 10.9, 12.9 or 14.9. All standard bolts and cap screws are metric property class 8.8 (SAE grade 5) or lower.

Illustrations

Illustrations in this catalog are only intended as a reference for dealers and customers. These illustrations do not necessarily represent the exact view of the parts.

Box-Enclosed Illustrations

Box-enclosed keyed parts in the illustration are available as a service assembly or an attachment. These parts may also include parts not available for service. The illustrations may not show all individual parts of an attachment. A box not keyed includes non-current parts.

Orientation Of Product

An arrow shown with an illustration is to indicate the direction of product forward travel. Right Hand (RH) and Left Hand (LH) sides are determined by product forward travel.

Orientation of Engine

Right Hand (RH) and Left Hand (LH) sides are determined by standing at flywheel and facing the engine.

John Deere Remanufactured Components

The REMAN parts listed in this catalog are intended for the repair or replacement of failed or worn original equipment components. John Deere Reman components are manufactured to stringent John Deere standards and produced to original John Deere specifications that incorporates the latest design and performance improvement updates.

Ag and Turf Turf and Utility ? Trademarks

7-Iron™	Quik-Trak™	Mulch On Demand™
Aercore™	Ready To Mow™	Trail Gator™
Auto 4x4 Wheel Drive™	RGator™	Turf Gator™
AutoConnect™	Roll-Gard™	X700™
AutoTrac™	iMatch™	ZTrak™
Buck™	John Deere™	Funk™
Gator™	SelectSpray™	iTorque™
Greens Tender™	TerrainCut™	Phoenix™
Precision Cut Reel™	E-Gator™	PowerTech™
PrecisionCut™	eHydro™	TMII™
ProGator™	EZtrak™	TMIII™

Ag and Turf Turf and Utility ? Terms and Abbreviations

Phrase	Meaning	Phrase	Meaning
A/C	Air Conditioning	NSEP	Not Supplied Separately
ALSO ORDER	Also Order	OD	Outside Diameter
AND	and	OOS	Open Operator's Station
APPL	This Application Only	OPTION	Option
AR	As Required	OPTIONAL	Optional
ASSY	Complete Assembly	OR	Or
CNLA	Complete No Longer Available (Order Individual Parts)	ORD	Order
COMPLETE	Complete	ORD W/	Order With
CTL	Cut To Length	OS	Oversize
CW	Clockwise	OUTER	Outer
ECU	Engine Control Unit	PKG	Package of
FI	Field Installation Kit	PTO	Power Take-Off
FIP	Fuel Injection Pump	RATIO	Ratio
FOR	For	RCU	Reverser Control Unit
FRONT	Front	REAR	Rear
HS, HEAD MARKED	High Strength, Head Marked	REMAN	Remanufactured
HTC	Heater Control Unit	RH	Right Hand
ID	Inside Diameter	SCV	Selective Control Valve
INCL	Includes	STD	Standard
INCL KEYS	Including Keys	SUB	Replaced by
INCLUDE PARTS MARKED	Include Parts Marked	SUB COMPONENTS	Sub Components
INNER	Inner	SUB FOR	Substitute for
KIT	Kit	TK	Thickness
LGTH	Length	UIM	User Interface Module
LH	Left Hand	UP	Upper
LOW	Lower	US	Undersize
MARKED	Marked	USE WITH	Use With
MF	Made From	W/	With
MFWD	Mechanical Front Wheel Drive	W/O	Without
NA	Not Applicable	Z	Gear and Sprocket Teeth Number
NLA	No Longer Available		

220SL PrecisionCut™ Walk Greens Mower

A.1



MP25530

- 2011 Model (Serial No. 1M0220SA++M010001– 020000)
- 2012 Model (Serial No. 1M0220SA++M020001– 030000)
- 2013 Model (Serial No. 1M0220SA++M030001– 040000)
- 2014 Model (Serial No. 1M0220SA++M040001– 050000)
- 2015 Model (Serial No. 1M0220SA++M050001– 060000)
- 2016 Model (Serial No. 1M0220SA++M060001– 070000)
- 2017 Model (Serial No. 1M0220SA++M070001-080000)
- 2018 Model (Serial No. 1M0220SA++M080001-090000)
- 2019 Model (Serial No. 1M0220SA++M090001-100000)
- 2020 Model (Serial No. 1M0220SA++M100001-110000)
- 2021 Model (Serial No. 1M0220SA++M110001- 120000)
- 2022 Model (Serial No. 1M0220SA++M120001-130000)
- 2023 Model (Serial No. 1M0220SA++M130001-140000)
- 2024 Model (Serial No. 1M0220SA++M140001-)

(specifications and design subject to change without notice)

Product Identification and Serial Number Plate

An Individual Product Identification And Serial Number Is Assigned To Each Machine. When Writing About Or Filling Out Warranty Claims, Use All The Characters Shown On The Plate.

Example: 1M0220SA++M010001

1M0- Factory Designation Turf Care
 220SA- Model Or Machine Designation 220SL PCWGM
 SA- Configuration Code
 ++- Random Number
 M- Calender Year
 010001- Serial Number

Product Configuration Code

The configuration "alpha" code identifies a variation of a product. Example: A machine may be manufactured as a two-wheel or four-wheel drive unit, and be shipped with standard or wide cutting units; thus four variations of the same machine exist. It also identifies different products which have the same model or machine designation (a tractor and an attachment tiller may have the same model numbers). If no configuration "alpha" code is required, space is filled in with an "X".

Serial Number Listing Information

Serial number information is listed to show on which machines each part can be used; for example:

- The part can be used on all products.
- 000000 - The part can be used on products beginning with the serial number listed.
- 000000 The part can be used on products up to and including the serial number listed.
- 000000 - 000000 The part can be used on products between and including the serial number listed.

When XXXXXX's are listed in place of a serial number, a serial number change was made, but the exact serial number was not available at the time of publication.

To The Customer

The part numbers in this Parts Catalog were correct at the time of publication. Per John Deere policy, we continuously improve our products. Therefore, when ordering parts verify the part numbers with your dealer.

SI Units of Measure

Metric dimensions are provided as applicable throughout this parts catalog.

Bolt And Cap Screw Strength Identification

Bolts and cap screws required to have high-strength qualities equivalent to metric property class 10.9 (SAE grade 8) or higher are identified throughout this catalog by the description 10.9, 12.9 or 14.9. All standard bolts and cap screws are metric property class 8.8 (SAE grade 5) or lower.

Illustrations

Illustrations in this catalog are only intended as a reference for dealers and customers. These illustrations do not necessarily represent the exact view of the parts.

Box-Enclosed Illustrations

Box-enclosed keyed parts in the illustration are available as a service assembly or an attachment. These parts may also include parts not available for service. The illustrations may not show all individual parts of an attachment. A box not keyed includes non-current parts.

Orientation Of Product

An arrow shown with an illustration is to indicate the direction of product forward travel. Right Hand (RH) and Left Hand (LH) sides are determined by product forward travel.

Orientation of Engine

Right Hand (RH) and Left Hand (LH) sides are determined by standing at flywheel and facing the engine.

John Deere Remanufactured Components

The REMAN parts listed in this catalog are intended for the repair or replacement of failed or worn original equipment components. John Deere Reman components are manufactured to stringent John Deere standards and produced to original John Deere specifications that incorporates the latest design and performance improvement updates.

Ag and Turf Turf and Utility ? Trademarks

7-Iron™	Quik-Trak™	Mulch On Demand™
Aercore™	Ready To Mow™	Trail Gator™
Auto 4x4 Wheel Drive™	RGator™	Turf Gator™
AutoConnect™	Roll-Gard™	X700™
AutoTrac™	iMatch™	ZTrak™
Buck™	John Deere™	Funk™
Gator™	SelectSpray™	iTorque™
Greens Tender™	TerrainCut™	Phoenix™
Precision Cut Reel™	E-Gator™	PowerTech™
PrecisionCut™	eHydro™	TMII™
ProGator™	EZtrak™	TMIII™

Ag and Turf Turf and Utility ? Terms and Abbreviations

Phrase	Meaning	Phrase	Meaning
A/C	Air Conditioning	NSEP	Not Supplied Separately
ALSO ORDER	Also Order	OD	Outside Diameter
AND	and	OOS	Open Operator's Station
APPL	This Application Only	OPTION	Option
AR	As Required	OPTIONAL	Optional
ASSY	Complete Assembly	OR	Or
CNLA	Complete No Longer Available (Order Individual Parts)	ORD	Order
COMPLETE	Complete	ORD W/	Order With
CTL	Cut To Length	OS	Oversize
CW	Clockwise	OUTER	Outer
ECU	Engine Control Unit	PKG	Package of
FI	Field Installation Kit	PTO	Power Take-Off
FIP	Fuel Injection Pump	RATIO	Ratio
FOR	For	RCU	Reverser Control Unit
FRONT	Front	REAR	Rear
HS, HEAD MARKED	High Strength, Head Marked	REMAN	Remanufactured
HTC	Heater Control Unit	RH	Right Hand
ID	Inside Diameter	SCV	Selective Control Valve
INCL	Includes	STD	Standard
INCL KEYS	Including Keys	SUB	Replaced by
INCLUDE PARTS MARKED	Include Parts Marked	SUB COMPONENTS	Sub Components
INNER	Inner	SUB FOR	Substitute for
KIT	Kit	TK	Thickness
LGTH	Length	UIM	User Interface Module
LH	Left Hand	UP	Upper
LOW	Lower	US	Undersize
MARKED	Marked	USE WITH	Use With
MF	Made From	W/	With
MFWD	Mechanical Front Wheel Drive	W/O	Without
NA	Not Applicable	Z	Gear and Sprocket Teeth Number
NLA	No Longer Available		

220SL PrecisionCut™ Walk Greens Mower

A.1



MP25530

- 2011 Model (Serial No. 1M0220SA++M010001- 020000)
- 2012 Model (Serial No. 1M0220SA++M020001- 030000)
- 2013 Model (Serial No. 1M0220SA++M030001- 040000)
- 2014 Model (Serial No. 1M0220SA++M040001- 050000)
- 2015 Model (Serial No. 1M0220SA++M050001- 060000)
- 2016 Model (Serial No. 1M0220SA++M060001- 070000)
- 2017 Model (Serial No. 1M0220SA++M070001-080000)
- 2018 Model (Serial No. 1M0220SA++M080001-090000)
- 2019 Model (Serial No. 1M0220SA++M090001-100000)
- 2020 Model (Serial No. 1M0220SA++M100001-110000)
- 2021 Model (Serial No. 1M0220SA++M110001- 120000)
- 2022 Model (Serial No. 1M0220SA++M120001-130000)
- 2023 Model (Serial No. 1M0220SA++M130001-140000)
- 2024 Model (Serial No. 1M0220SA++M140001-)

(specifications and design subject to change without notice)

Product Identification and Serial Number Plate

An Individual Product Identification And Serial Number Is Assigned To Each Machine. When Writing About Or Filling Out Warranty Claims, Use All The Characters Shown On The Plate.

Example: 1M0220SA++M010001

1M0- Factory Designation Turf Care
 220SA- Model Or Machine Designation 220SL PCWGM
 SA- Configuration Code
 ++- Random Number
 M- Calender Year
 010001- Serial Number

Product Configuration Code

The configuration "alpha" code identifies a variation of a product. Example: A machine may be manufactured as a two-wheel or four-wheel drive unit, and be shipped with standard or wide cutting units; thus four variations of the same machine exist. It also identifies different products which have the same model or machine designation (a tractor and an attachment tiller may have the same model numbers). If no configuration "alpha" code is required, space is filled in with an "X".

Serial Number Listing Information

Serial number information is listed to show on which machines each part can be used; for example:

- The part can be used on all products.
- 000000 - The part can be used on products beginning with the serial number listed.
- 000000 The part can be used on products up to and including the serial number listed.
- 000000 - 000000 The part can be used on products between and including the serial number listed.

When XXXXXX's are listed in place of a serial number, a serial number change was made, but the exact serial number was not available at the time of publication.

To The Customer

The part numbers in this Parts Catalog were correct at the time of publication. Per John Deere policy, we continuously improve our products. Therefore, when ordering parts verify the part numbers with your dealer.

SI Units of Measure

Metric dimensions are provided as applicable throughout this parts catalog.

Bolt And Cap Screw Strength Identification

Bolts and cap screws required to have high-strength qualities equivalent to metric property class 10.9 (SAE grade 8) or higher are identified throughout this catalog by the description 10.9, 12.9 or 14.9. All standard bolts and cap screws are metric property class 8.8 (SAE grade 5) or lower.

Illustrations

Illustrations in this catalog are only intended as a reference for dealers and customers. These illustrations do not necessarily represent the exact view of the parts.

Box-Enclosed Illustrations

Box-enclosed keyed parts in the illustration are available as a service assembly or an attachment. These parts may also include parts not available for service. The illustrations may not show all individual parts of an attachment. A box not keyed includes non-current parts.

Orientation Of Product

An arrow shown with an illustration is to indicate the direction of product forward travel. Right Hand (RH) and Left Hand (LH) sides are determined by product forward travel.

Orientation of Engine

Right Hand (RH) and Left Hand (LH) sides are determined by standing at flywheel and facing the engine.

John Deere Remanufactured Components

The REMAN parts listed in this catalog are intended for the repair or replacement of failed or worn original equipment components. John Deere Reman components are manufactured to stringent John Deere standards and produced to original John Deere specifications that incorporates the latest design and performance improvement updates.

Ag and Turf Turf and Utility ? Trademarks

7-Iron™	Quik-Trak™	Mulch On Demand™
Aercore™	Ready To Mow™	Trail Gator™
Auto 4x4 Wheel Drive™	RGator™	Turf Gator™
AutoConnect™	Roll-Gard™	X700™
AutoTrac™	iMatch™	ZTrak™
Buck™	John Deere™	Funk™
Gator™	SelectSpray™	iTorque™
Greens Tender™	TerrainCut™	Phoenix™
Precision Cut Reel™	E-Gator™	PowerTech™
PrecisionCut™	eHydro™	TMII™
ProGator™	EZtrak™	TMIII™

Ag and Turf Turf and Utility ? Terms and Abbreviations

Phrase	Meaning	Phrase	Meaning
A/C	Air Conditioning	NSEP	Not Supplied Separately
ALSO ORDER	Also Order	OD	Outside Diameter
AND	and	OOS	Open Operator's Station
APPL	This Application Only	OPTION	Option
AR	As Required	OPTIONAL	Optional
ASSY	Complete Assembly	OR	Or
CNLA	Complete No Longer Available (Order Individual Parts)	ORD	Order
COMPLETE	Complete	ORD W/	Order With
CTL	Cut To Length	OS	Oversize
CW	Clockwise	OUTER	Outer
ECU	Engine Control Unit	PKG	Package of
FI	Field Installation Kit	PTO	Power Take-Off
FIP	Fuel Injection Pump	RATIO	Ratio
FOR	For	RCU	Reverser Control Unit
FRONT	Front	REAR	Rear
HS, HEAD MARKED	High Strength, Head Marked	REMAN	Remanufactured
HTC	Heater Control Unit	RH	Right Hand
ID	Inside Diameter	SCV	Selective Control Valve
INCL	Includes	STD	Standard
INCL KEYS	Including Keys	SUB	Replaced by
INCLUDE PARTS MARKED	Include Parts Marked	SUB COMPONENTS	Sub Components
INNER	Inner	SUB FOR	Substitute for
KIT	Kit	TK	Thickness
LGTH	Length	UIM	User Interface Module
LH	Left Hand	UP	Upper
LOW	Lower	US	Undersize
MARKED	Marked	USE WITH	Use With
MF	Made From	W/	With
MFWD	Mechanical Front Wheel Drive	W/O	Without
NA	Not Applicable	Z	Gear and Sprocket Teeth Number
NLA	No Longer Available		

220SL PrecisionCut™ Walk Greens Mower

A.1



MP25530

- 2011 Model (Serial No. 1M0220SA++M010001- 020000)
- 2012 Model (Serial No. 1M0220SA++M020001- 030000)
- 2013 Model (Serial No. 1M0220SA++M030001- 040000)
- 2014 Model (Serial No. 1M0220SA++M040001- 050000)
- 2015 Model (Serial No. 1M0220SA++M050001- 060000)
- 2016 Model (Serial No. 1M0220SA++M060001- 070000)
- 2017 Model (Serial No. 1M0220SA++M070001-080000)
- 2018 Model (Serial No. 1M0220SA++M080001-090000)
- 2019 Model (Serial No. 1M0220SA++M090001-100000)
- 2020 Model (Serial No. 1M0220SA++M100001-110000)
- 2021 Model (Serial No. 1M0220SA++M110001- 120000)
- 2022 Model (Serial No. 1M0220SA++M120001-130000)
- 2023 Model (Serial No. 1M0220SA++M130001-140000)
- 2024 Model (Serial No. 1M0220SA++M140001-)

(specifications and design subject to change without notice)

Product Identification and Serial Number Plate

An Individual Product Identification And Serial Number Is Assigned To Each Machine. When Writing About Or Filling Out Warranty Claims, Use All The Characters Shown On The Plate.

Example: 1M0220SA++M010001

1M0- Factory Designation Turf Care
 220SA- Model Or Machine Designation 220SL PCWGM
 SA- Configuration Code
 ++- Random Number
 M- Calender Year
 010001- Serial Number

Product Configuration Code

The configuration "alpha" code identifies a variation of a product. Example: A machine may be manufactured as a two-wheel or four-wheel drive unit, and be shipped with standard or wide cutting units; thus four variations of the same machine exist. It also identifies different products which have the same model or machine designation (a tractor and an attachment tiller may have the same model numbers). If no configuration "alpha" code is required, space is filled in with an "X".

Serial Number Listing Information

Serial number information is listed to show on which machines each part can be used; for example:

- The part can be used on all products.
- 000000 - The part can be used on products beginning with the serial number listed.
- 000000 The part can be used on products up to and including the serial number listed.
- 000000 - 000000 The part can be used on products between and including the serial number listed.

When XXXXXX's are listed in place of a serial number, a serial number change was made, but the exact serial number was not available at the time of publication.

To The Customer

The part numbers in this Parts Catalog were correct at the time of publication. Per John Deere policy, we continuously improve our products. Therefore, when ordering parts verify the part numbers with your dealer.

SI Units of Measure

Metric dimensions are provided as applicable throughout this parts catalog.

Bolt And Cap Screw Strength Identification

Bolts and cap screws required to have high-strength qualities equivalent to metric property class 10.9 (SAE grade 8) or higher are identified throughout this catalog by the description 10.9, 12.9 or 14.9. All standard bolts and cap screws are metric property class 8.8 (SAE grade 5) or lower.

Illustrations

Illustrations in this catalog are only intended as a reference for dealers and customers. These illustrations do not necessarily represent the exact view of the parts.

Box-Enclosed Illustrations

Box-enclosed keyed parts in the illustration are available as a service assembly or an attachment. These parts may also include parts not available for service. The illustrations may not show all individual parts of an attachment. A box not keyed includes non-current parts.

Orientation Of Product

An arrow shown with an illustration is to indicate the direction of product forward travel. Right Hand (RH) and Left Hand (LH) sides are determined by product forward travel.

Orientation of Engine

Right Hand (RH) and Left Hand (LH) sides are determined by standing at flywheel and facing the engine.

John Deere Remanufactured Components

The REMAN parts listed in this catalog are intended for the repair or replacement of failed or worn original equipment components. John Deere Reman components are manufactured to stringent John Deere standards and produced to original John Deere specifications that incorporates the latest design and performance improvement updates.

Ag and Turf Turf and Utility ? Trademarks

7-Iron™	Quik-Trak™	Mulch On Demand™
Aercore™	Ready To Mow™	Trail Gator™
Auto 4x4 Wheel Drive™	RGator™	Turf Gator™
AutoConnect™	Roll-Gard™	X700™
AutoTrac™	iMatch™	ZTrak™
Buck™	John Deere™	Funk™
Gator™	SelectSpray™	iTorque™
Greens Tender™	TerrainCut™	Phoenix™
Precision Cut Reel™	E-Gator™	PowerTech™
PrecisionCut™	eHydro™	TMII™
ProGator™	EZtrak™	TMIII™

Ag and Turf Turf and Utility ? Terms and Abbreviations

Phrase	Meaning	Phrase	Meaning
A/C	Air Conditioning	NSEP	Not Supplied Separately
ALSO ORDER	Also Order	OD	Outside Diameter
AND	and	OOS	Open Operator's Station
APPL	This Application Only	OPTION	Option
AR	As Required	OPTIONAL	Optional
ASSY	Complete Assembly	OR	Or
CNLA	Complete No Longer Available (Order Individual Parts)	ORD	Order
COMPLETE	Complete	ORD W/	Order With
CTL	Cut To Length	OS	Oversize
CW	Clockwise	OUTER	Outer
ECU	Engine Control Unit	PKG	Package of
FI	Field Installation Kit	PTO	Power Take-Off
FIP	Fuel Injection Pump	RATIO	Ratio
FOR	For	RCU	Reverser Control Unit
FRONT	Front	REAR	Rear
HS, HEAD MARKED	High Strength, Head Marked	REMAN	Remanufactured
HTC	Heater Control Unit	RH	Right Hand
ID	Inside Diameter	SCV	Selective Control Valve
INCL	Includes	STD	Standard
INCL KEYS	Including Keys	SUB	Replaced by
INCLUDE PARTS MARKED	Include Parts Marked	SUB COMPONENTS	Sub Components
INNER	Inner	SUB FOR	Substitute for
KIT	Kit	TK	Thickness
LGTH	Length	UIM	User Interface Module
LH	Left Hand	UP	Upper
LOW	Lower	US	Undersize
MARKED	Marked	USE WITH	Use With
MF	Made From	W/	With
MFWD	Mechanical Front Wheel Drive	W/O	Without
NA	Not Applicable	Z	Gear and Sprocket Teeth Number
NLA	No Longer Available		

Table of Contents

20 Engine TCA24258 (- 110000).....	41
21 Engine (For China).....	53
22 Engine (Not for China) (110001 -)	65
30 Fuel and Air	77
40 Electrical.....	89
50 Powertrain	93
80 Frame and Reel Cutting Unit.....	103
81 Rollers	115
85 Grass Catcher	131
90 Handles and Controls.....	133
95 Optional Equipment.....	145
99 Labels.....	175

Alphabetical Index

	Page		Page
A			
Actuator, Differential, Gear Case.....	98	Chain, Chain Sprocket, Reel Adjusters and Drive (010001 - 090000).....	108
Adjusters, Front Roller.....	124	Chain, Chain Sprocket, Traction Roller.....	126
Adjusters, Reel (010001 - 090000).....	108	Chain, Differential Gear.....	98
Air Cleaner.....	84	Chain, Roller Chain, Chain Drive, LH.....	101
Air Cleaner (For China).....	85	Chain, Roller Chain, Chain Drive, RH.....	100
Arm, Belt Drive and Brake.....	94	Chain, Roller Chain, Differential, Gear Case.....	98
Arm, Camshaft and Valves.....	46, 58, 70	Choke Kit, Carburetor.....	80
Arm, Control Lever.....	47, 59, 71	Cleaner, Air.....	84
Arm, Governor.....	47	CLUTCH KIT, REEL.....	162
Arm, Levers, Brake and Throttle Cables (- 130000).....	136	Clutch, Main Drive Gear Case.....	98
Arm, Rocker Arm Shaft, Cylinder Block and Governor.....	55, 67	CLUTCH, REEL.....	162
Arm, Steering Arm, Handlebar.....	142	Coil, Ignition.....	90
Arrester, Muffler.....	86	Collar, Air Cleaner Elbow.....	84
Assembly, Gear Case.....	96	Collar, Locking Collar, Air Cleaner.....	84
Attachment, Extended Grooved Roller.....	121	Collar, Locking Collar, Air Cleaner (For China).....	85
Attachment, Grooved Rollers.....	121	Collar, Shift Collar, Greens Tender Conditioners Rotary Brush Drive Kit.....	154
Attachment, Hollow Smooth Roller, 22 inch.....	165	Connecting Rod, Piston.....	49
Attachment, Push Broom.....	156	Control Assembly, Engine Remote.....	47
Attachment, Roller, 18 inch.....	120	Control Lever.....	47, 59, 71
Attachment, Rotary Brush.....	160	Cooling Fan.....	50
Attachment, Rotary Brush, 22 inch (040001 -).....	163	Counterweight, Cylinder Block and Governor.....	55, 67
Attachment, Smooth Rollers.....	116, 118	Coupler Link, Roller Chain (LH).....	101
Attachment, Smooth Solid Front Rollers.....	118	Coupler Link, Roller Chain (RH).....	100
Attachment, Tube/Hollow Smooth Front Rollers.....	116	Cover (130001 -).....	138
Axle, Traction Roller.....	126	Cover, Crankcase.....	44
B			
Backlap Screw.....	114	Cover, Engine Fan.....	48
Bar, Gauge.....	114	Cover, Gear Case.....	97
Bar, Guide Bar, Service Tools.....	114	Crankcase Cover and Dipstick.....	44, 56, 68
Base, Engine.....	42	Crankshaft.....	49
Base, Engine Control.....	47	Crankshaft and Piston.....	49
Bearing, Crankcase.....	44	Crankshaft, Connecting Rod and Piston.....	61, 73
Bed Knife (010001 - 090000).....	106	Crankshaft, Crankshaft and Piston.....	49
Belt Drive and Brake.....	94	Crankshaft, Crankshaft, Connecting Rod and Piston.....	61, 73
Belt, Belt Set, Belt Drive and Brake.....	94	Cutter, Knife, Vertical Cutter and Brush.....	160
Block, Cylinder.....	43	Cutter, Stationary Knife, Reel and Bed Knife (010001 - 090000).....	106
Blower, Fan, Flywheel and Fan.....	50, 62, 74	Cutter, Stationary Knife, Stationary Knife, Fairway Low Cut, 22 inch.....	167
Bracket, Front Roller.....	124	Cutting Unit Roller, Disk Roller, 3 inch.....	130
Brake, Brake Band, Belt Drive and Brake.....	94	Cutting Unit Rollers, 51mm (2 Inch) Smooth.....	129
Breather Tube, Engine.....	45	Cylinder Block.....	43
Brush (040001 -).....	164	Cylinder Block and Governor.....	43, 55, 67
Brush, Attachment (040001 -).....	163	Cylinder Head.....	45, 57, 69
Brush, Rotary.....	160	Cylinder, Cylinder Block, Cylinder Block and Governor.....	43, 55, 67
Bulb, Light Kit.....	150	Cylinder, Cylinder Head, Cylinder Head.....	45, 57, 69
Bumper, Handlebar, Cover (- 130000).....	134	Cylinder, Gas Operated Cylinder, Handlebar (130001 -).....	140
Bumper, Main Frame.....	104	Cylinder, Gas Operated Cylinder, Steering Arm, Handlebar.....	142
C			
Cable, Push Pull Cable, Belt Drive and Brake.....	94	D	
Cable, Push Pull Cable, Cover (130001 -).....	138	Danger Labels.....	178
Cable, Push Pull Cable, Levers, Brake and Throttle Cables (- 130000).....	136	Decal, Label, Belt Drive and Brake.....	94
CAMSHAFT.....	46	Decal, Label, Cover (130001 -).....	138
Camshaft and Valves.....	46, 58, 70	Decal, Label, Engine.....	54, 66
Camshaft, Camshaft and Valves.....	46, 58, 70	Decal, Label, Engine Labels (040001 -).....	184
Cap, Engine Oil Fill.....	44	Decal, Label, Handlebar, Cover (- 130000).....	134
Cap, Fuel.....	78	Decal, Label, Labels.....	176, 178
Cap, Noise Suppressor.....	90	Decal, Label, Labels (Not for Canada and USA).....	182
Carburetor Kit.....	80	Decal, Label, Labels, Canadian French.....	180
Carburetor Kit (For China).....	82	Decal, Label, Main Frame.....	104
Case, Gear Case, Gear Case.....	96	Decal, Label, Steering Arm, Handlebar.....	142
Case, Recoil Starter.....	51, 63, 75	Decals (English).....	176
Caution Labels.....	178	Deflector, Grass Deflector, Main Frame.....	104
Chain Drive, LH.....	101	Deflector, Muffler.....	86
Chain Drive, RH.....	100	Deflector, Muffler (For China).....	87
Chain Sprocket, Reel (010001 - 090000).....	108	Differential Reduction Gear.....	98
Chain, Chain Link, Chain Drive, LH.....	101	Differential, Differential, Gear Case.....	98
Chain, Chain Link, Chain Drive, RH.....	100	Differential, Gear Case.....	98
Chain, Chain Sprocket, Chain Drive, LH.....	101	Dipstick.....	44
Chain, Chain Sprocket, Chain Drive, RH.....	100	Dipstick, Crankcase Cover and Dipstick.....	44, 56, 68
Chain, Chain Sprocket, Differential, Gear Case.....	98	Drive Chain (LH).....	101
Chain, Chain Sprocket, Mower Reel and Housing, 11 Blade (090001 -).....	112	Drive Chain (RH).....	100
Chain, Chain Sprocket, Mower Reel and Housing, 14 Blade (090001 -).....	110	E	
		Element, Air Filter.....	84
		Engine.....	42, 54, 66
		Engine Gasket Kit.....	52
		Engine Labels (040001 -).....	184

Alphabetical Index - Continued

	Page		Page
Engine Shroud and Fan Cover	48, 60, 72		
Engine Shrouds	48	H	
Engine Wiring Harness (- 120000)	91	Handle, Bed Knife (010001 - 090000)	108
Engine Wiring Harness (120001 -)	92	Handle, Handlebar, Cover (- 130000)	134
Engine, Gasoline Engine, Engine	42, 54, 66	Handle, Reel Adjusters and Drive (010001 - 090000)	108
Exhaust Pipe Silencer, Muffler, Muffler	86	Handle, Reel Clutch	98
EXHAUST PIPE SILENCER, MUFFLER, MUFFLER (For China)	87	Handle, Starter	51
EXHAUST VALVE	46	Handle, Steering Arm, Handlebar	142
Extension, Extension Spring, Handlebar (130001 -)	140	Handlebar (130001 -)	140
Extension, Extension Spring, Steering Arm, Handlebar	142	Handlebar, Cover (- 130000)	134
		Handlebar, Handlebar, Cover (- 130000)	134
F		Harness, Headlamp Wiring Harness, LED Light Kit	152, 168
Fan Cover And Plug	48	Harness, Headlamp Wiring Harness, Light Kit	150
Fan, Cooling	50	Harness, Headlamp Wiring Harness, Light Kit, SL/E- W/Regulator ..	171
Fan, Flywheel and Fan	50, 62, 74	HARNESSES, MAIN WIRING (- 120000)	91
Filter, Air	84	Harness, Wiring Harness, Engine Wiring Harness (- 120000)	91
Filter, Air Filter, Air Cleaner	84	Harness, Wiring Harness, Engine Wiring Harness (120001 -)	92
Filter, Carburetor Kit	80	Harness, Wiring Harness, Levers, Brake and Throttle Cables (-	130000)
Filter, Carburetor Kit (For China)	82	136	
Filter, Filter Element, Air Cleaner	84	Harness, Wiring Harness, Light Kit	150
Filter, Filter Element, Air Cleaner (For China)	85	Head Gasket	45
Float, Carburetor	80	Head, Cylinder	45
Floodlamp Lamp, Bulb, Light Kit	150	Headlight, Light Kit	150
Floodlamp, LED Light Kit	152, 168	Heat Shield, Muffler	86
Floodlamp, Light Kit, SL/E- W/Regulator	171	Heavy Duty Grooved Disc Front Roller Kit, 3 inch	130
Floodlight Lamp, Floodlamp, LED Light Kit	152, 168	Height Of Cut Adjuster, Front	124
Floodlight Lamp, Floodlamp, Light Kit, SL/E- W/Regulator	171	HOC Adjusters, Front	124
Flywheel and Fan	50, 62, 74	Holder, Control Lever	47, 59, 71
Flywheel, Flywheel and Fan	50, 62, 74	Holder, Cylinder Block and Governor	43, 55, 67
Front Roller Adjusters	124	Holder, Governor Weight	43
Front Roller, Grooved	122	Hollow Smooth Roller, 22 inch	166
Front Roller, Smooth	119	Housing, Bearing Housing W/O Bearing, Main Frame	104
Fuel Tank	78	Housing, Bearing With Housing, Greens Tender Conditioners Rotary	154
Fuel Tank (For China)	79	Brush Drive Kit	154
Fuse, Light Kit	150	Housing, Elec. Connector Housing, Engine Wiring Harness (120001 -	92
)	152, 168
G		Housing, Elec. Connector Housing, LED Light Kit	150
Gas Tank	78	Housing, Elec. Connector Housing, Light Kit	171
Gasket Kit, Carburetor	80	Housing, Elec. Connector Housing, Light Kit, SL/E- W/Regulator ..	97
GASKET KIT, ENGINE	52	Housing, Gear Case	97
Gasket, Air Cleaner	84	Housing, Gear Case Housing	154
Gasket, Carburetor Kit	80	Housing, Greens Tender Conditioners Rotary Brush Drive Kit	112
Gasket, Carburetor Kit (For China)	82	Housing, Mower Reel and Housing, 11 Blade (090001 -)	110
Gasket, Crankcase Cover and Dipstick	44, 56, 68	Housing, Mower Reel and Housing, 14 Blade (090001 -)	108
Gasket, Cylinder Head	45, 57, 69	Housing, Reel Adjusters and Drive (010001 - 090000)	126
Gasket, Engine Gasket Kit	52	Housing, Traction Roller	146, 148
Gasket, Fuel Tank	78	Hub, Parking Stand, Wheels and Tires Kit	172
Gasket, Fuel Tank (For China)	79		
Gasket, Gasket Kit, Carburetor Kit	80	I	
Gasket, Gasket Kit, Carburetor Kit (For China)	82	Idler, Chain Drive (LH)	101
Gasket, Gasket Kit, Engine Gasket Kit	52	Idler, Chain Drive (RH)	100
Gasket, Greens Tender Conditioners Rotary Brush Drive Kit	154	Idler, Chain Drive, LH	101
Gasket, Muffler	86	Idler, Chain Drive, RH	100
Gasket, Muffler (For China)	87	Idler, Idler Gear, Greens Tender Conditioners Rotary Brush Drive	154
Gasoline Engine	42	Kit	90
Gauge Bar	114	Ignition Coil and Spark Plug	80
Gear Case	96	Injector Injection nozzle, Nozzle, Carburetor Kit	82
Gear Case Housing	97	Injector Injection nozzle, Nozzle, Carburetor Kit (For China)	98
Gear Case, Main Drive	98	Input Shaft, Main Drive Gear Case	80
Gear, Differential Reduction	98	Insulator, Carburetor	80
Gear, Gear Case, Gear Case	96	Insulator, Carburetor Kit	82
Gear, Greens Tender Conditioners Rotary Brush Drive Kit	154	Insulator, Carburetor Kit (For China)	46
Gear, Idler Gear, Greens Tender Conditioners Rotary Brush Drive	154	INTAKE VALVE	42, 54, 66
Kit	124	Isolator, Engine	104
Gear, Worm Gear, Front Roller Adjusters	112	Isolator, Main Frame	
Gear, Worm Gear, Mower Reel and Housing, 11 Blade (090001 -) ..	110		
Gear, Worm Gear, Mower Reel and Housing, 14 Blade (090001 -) ..	49	J	
Gears, Crankshaft	43	Jet, Carburetor	80
Governor	49	Jet, Carburetor Kit	82
Governor Drive Gear	132	Jet, Carburetor Kit (For China)	80
Grass Catcher	154	Jet, Jet Kit, Carburetor Kit	82
Greens Tender Conditioners Rotary Brush Drive Kit	122	Jet, Jet Kit, Carburetor Kit (For China)	82
Grooved Front Rollers	123		
Grooved Roller Kit, 2.5 inch, QA5/QA7, 22 inch	45	K	
Guide, Valve		Key, Shaft Key, Belt Drive and Brake	94
		Key, Shaft Key, Chain Drive, LH	101

Alphabetical Index - Continued

<i>Page</i>	<i>Page</i>		
Key, Shaft Key, Chain Drive, RH.....	100	Noise Suppressor, Ignition.....	90
Key, Shaft Key, Crankshaft and Piston.....	49	Nozzle, Carburetor.....	80
Key, Shaft Key, Crankshaft, Connecting Rod and Piston.....	61, 73	Nozzle, Carburetor Kit.....	80
Key, Shaft Key, Engine.....	42, 54, 66	Nozzle, Carburetor Kit (For China).....	82
Key, Shaft Key, Flywheel and Fan.....	50, 62, 74		
Key, Shaft Key, Greens Tender Conditioners Rotary Brush Drive Kit.....	154	O	
Key, Shaft Key, Mower Reel and Housing, 11 Blade (090001 -).....	112	Offset Link, Roller Chain (LH).....	101
Key, Shaft Key, Mower Reel and Housing, 14 Blade (090001 -).....	110	Offset Link, Roller Chain (RH).....	100
Key, Shaft Key, Reel Adjusters and Drive (010001 - 090000).....	108		
Key, Shaft Key, Traction Roller.....	126	P	
KIT, REEL CLUTCH.....	162	Panel, Front Roller Adjusters.....	124
Knife, Stationary Knife, Reel and Bed Knife (010001 - 090000).....	106	Panel, Main Frame.....	104
Knife, Stationary Knife, Stationary Knife, Fairway Low Cut, 22 inch.....	167	Panel, Mower Reel and Housing, 11 Blade (090001 -).....	112
Knife, Vertical Cutter.....	160	Panel, Mower Reel and Housing, 14 Blade (090001 -).....	110
Knife, Vertical Cutter and Brush.....	160	Parking Stand, Wheels and Tires Kit.....	146, 148
Knob, Differential, Gear Case.....	98	Pin (040001 -).....	164
Knob, Levers, Brake and Throttle Cables (- 130000).....	136	Piston.....	49
Knob, Mower Reel and Housing, 11 Blade (090001 -).....	112	Piston, Crankshaft and Piston.....	49
Knob, Mower Reel and Housing, 14 Blade (090001 -).....	110	Piston, Crankshaft, Connecting Rod and Piston.....	61, 73
Knob, Recoil.....	51	Piston, Piston Pin, Crankshaft and Piston.....	49
Knob, Recoil Starter.....	51, 63, 75	Piston, Piston Pin, Crankshaft, Connecting Rod and Piston.....	61, 73
Knob, Reel Adjusters and Drive (010001 - 090000).....	108	Piston, Piston Ring Kit, Crankshaft and Piston.....	49
Knob, Steering Arm, Handlebar.....	142	Piston, Piston Ring Kit, Crankshaft, Connecting Rod and Piston.....	61, 73
		Pivot, Camshaft and Valves.....	46, 58, 70
L		PLATE, VALVE GUIDE.....	46
Label, Belt Drive and Brake.....	94	Plug, Fan Cover.....	48
Label, Choke.....	84	Plug, Spark.....	90
Label, Cover (130001 -).....	138	Protector, Muffler.....	86
Label, Engine.....	54, 66	Pulley, Belt Drive and Brake.....	94
Label, Engine Labels (040001 -).....	184	Pulley, Engine.....	42, 54, 66
Label, Handlebar, Cover (- 130000).....	134	Pulley, Flywheel and Fan.....	50, 62, 74
Label, Labels.....	176, 178	Pulley, Starter.....	50
Label, Labels (Not for Canada and USA).....	182	Push Broom.....	158
Label, Labels, Canadian French.....	180	Push Broom, Attachment.....	156
Label, Main Frame.....	104	PUSH RODS.....	46
Label, Steering Arm, Handlebar.....	142		
Labels.....	176, 178	R	
Labels (English).....	176	Recoil Starter.....	51, 63, 75
Labels (Not for Canada and USA).....	182	Reel Adjusters and Drive (010001 - 090000).....	108
Labels, Canadian French.....	180	Reel and Bed Knife (010001 - 090000).....	106
Labels, Safety.....	178	Reel Clutch.....	98
Latch, Parking Stand, Wheels and Tires Kit.....	146, 148	REEL CLUTCH KIT.....	162
Latch, Stand Kit.....	172	Reel Drive Sprocket (010001 - 090000).....	108
LED Light Kit.....	152, 168	Reel, Starter Rope.....	51
Lever, Carburetor Kit.....	80	Retainer, Camshaft and Valves.....	46, 58, 70
Lever, Carburetor Kit (For China).....	82	RETAINER, VALVE SPRING.....	46
Lever, Control Lever.....	47	Rim, Parking Stand, Wheels and Tires Kit.....	146, 148
Lever, Control Lever, Control Lever.....	47, 59, 71	Rim, Stand Kit.....	172
Lever, Control Lever, Handlebar (130001 -).....	140	Rings, Piston.....	49
Lever, Control Lever, Steering Arm, Handlebar.....	142	ROCKER ARMS.....	46
Lever, Governor Control.....	47	Rod, Connecting Rod, Crankshaft and Piston.....	49
Lever, Handlebar (130001 -).....	140	Rod, Connecting Rod, Crankshaft, Connecting Rod and Piston.....	61, 73
Lever, Lever Kit, Carburetor Kit (For China).....	82	Rod, Control Lever.....	47, 59, 71
Lever, Levers, Brake and Throttle Cables (- 130000).....	136	Rod, Front Roller Adjusters.....	124
Lever, Reel Clutch.....	98	Rod, Governor.....	47
Lever, Steering Arm, Handlebar.....	142	Rod, Main Frame.....	104
Levers, Brake and Throttle Cables (- 130000).....	136	Rod, Mower Reel and Housing, 11 Blade (090001 -).....	112
LIFTER, VALVE.....	46	Rod, Mower Reel and Housing, 14 Blade (090001 -).....	110
Light Kit.....	150	Rod, Push Broom.....	158
Light Kit, Mounting.....	170	Rod, Push Rod, Camshaft and Valves.....	46, 58, 70
Light Kit, SL/E- W/Regulator.....	171	Roller Chain (LH).....	101
Line, Fuel.....	78	Roller Chain (RH).....	100
		Roller, 18 inch, Attachment.....	120
M		Roller, Attachment, Hollow Smooth Roller, 22 inch.....	165
Main Frame.....	104	Roller, Cutting Unit, Disk Roller, 3 inch.....	130
Mounting, Mounting Parts, Light Kit, Mounting.....	170	Roller, Front, Grooved.....	122
Mower Reel (010001 - 090000).....	106	Roller, Front, Smooth.....	119
Mower Reel and Housing, 11 Blade (090001 -).....	112	Roller, Roller Chain, Chain Drive, LH.....	101
Mower Reel and Housing, 14 Blade (090001 -).....	110	Roller, Roller Chain, Chain Drive, RH.....	100
Muffler.....	86	Roller, Roller Chain, Differential, Gear Case.....	98
Muffler (For China).....	87	Roller, Roller Kit, Attachment, Roller, 18 inch.....	120
Muffler, Muffler.....	86	Roller, Roller Kit, Grooved Roller Kit, 2.5 inch, QA5/QA7, 22 inch.....	123
Muffler, Muffler (For China).....	87	Roller, Roller Kit, Heavy Duty Grooved Disc Front Roller Kit, 3 inch.....	130
		Roller, Roller Kit, Hollow Smooth Roller, 22 inch.....	166
N		Roller, Roller Kit, Smooth Rollers, 2 inch.....	129
Needle, Needle Bearing, REEL CLUTCH KIT.....	162	Roller, Roller Kit, Smooth Rollers, Extended, 2 inch.....	118
		Roller, Roller Kit, Smooth Rollers, Extended, Front.....	117

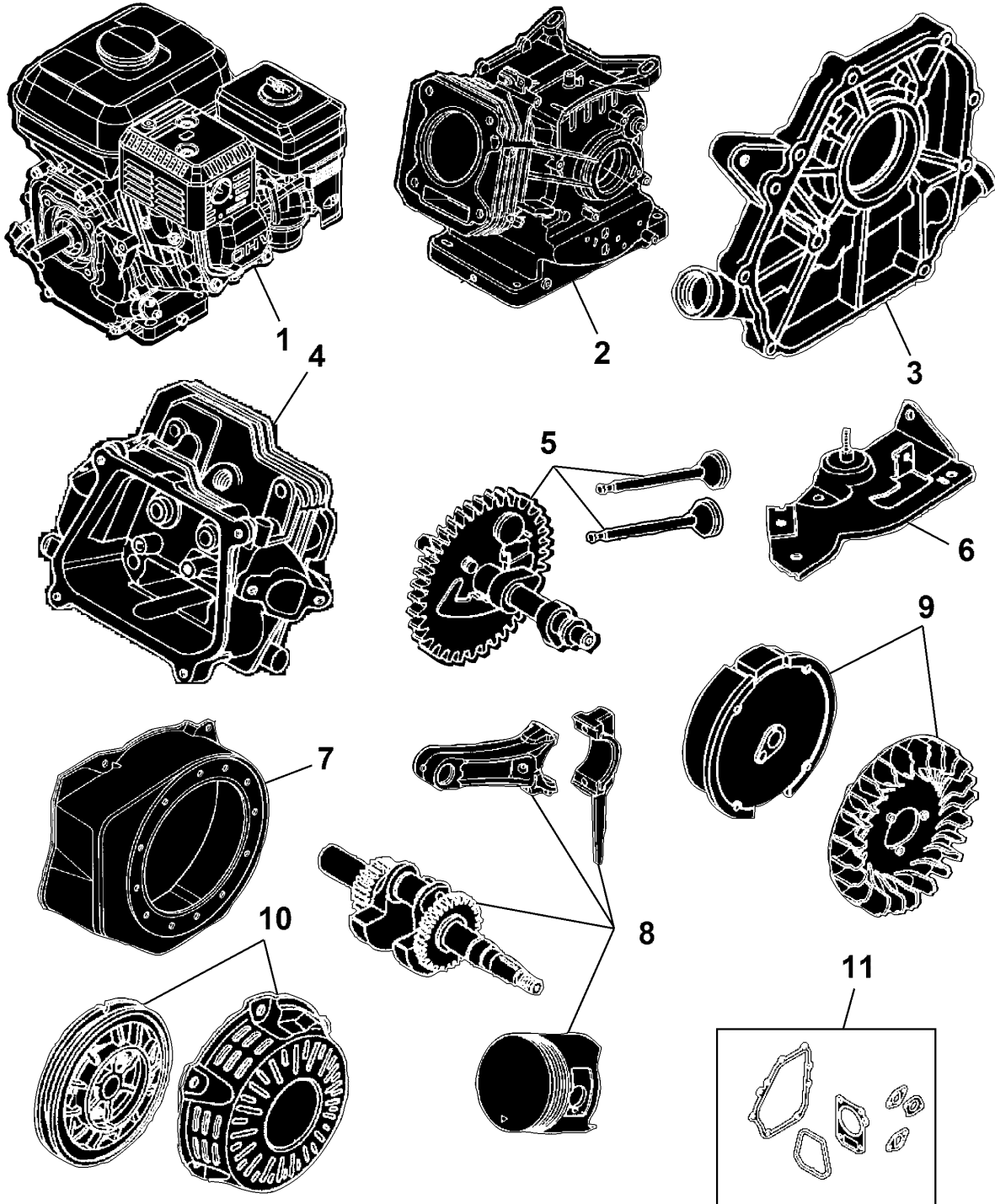
Alphabetical Index - Continued

<i>Page</i>	<i>Page</i>		
Roller, Roller Kit, Smooth Rollers, Extended, Hollow, 2 inch.....	116	Sprocket, Chain Sprocket, Mower Reel and Housing, 11 Blade (090001 -).....	112
Roller, Roller Kit, Smooth Rollers, Front.....	119	Sprocket, Chain Sprocket, Mower Reel and Housing, 14 Blade (090001 -).....	110
Roller, Smooth Roller, W/ Bearings, 22 inch.....	128	Sprocket, Chain Sprocket, Reel Adjusters and Drive (010001 - 090000).....	108
Roller, Traction Roller.....	126	Sprocket, Chain Sprocket, Traction Roller.....	126
Rollers, Cutting Unit, 51mm (2 Inch) Smooth.....	129	Sprocket, Reel Drive (010001 - 090000).....	108
Rope, Recoil Starter.....	51, 63, 75	Sprocket, Sprocket Kit, Reel Adjusters and Drive (010001 - 090000).....	108
Rope, Starter.....	51	Stand Kit.....	172
Rotary Brush, 22 inch (040001 -).....	164	Starter.....	51
Rotary Brush, Attachment.....	160	Starter, Recoil Starter, Recoil Starter.....	63, 75
S		Stationary Knife (010001 - 090000).....	106
Safety Labels.....	178	Stationary Knife, Fairway Low Cut, 22 inch.....	167
Seal, Crankcase.....	44	Steering Arm, Handlebar.....	142
Seat, Seat Slide Track Kit, Handlebar (130001 -).....	140	Stop Switch Wire.....	48
Seat, Seat Slide Track Kit, Steering Arm, Handlebar.....	142	Strap, Chain Drive, LH.....	101
Sensor Sender , Switch, Cover (130001 -).....	138	Strap, Chain Drive, RH.....	100
Sensor Sender , Switch, LED Light Kit.....	152, 168	Support Grass Catcher.....	132
Sensor Sender , Switch, Light Kit.....	150	Switch, Cover (130001 -).....	138
Sensor Sender , Toggle/Rocker Switch, Levers, Brake and Throttle Cables (- 130000).....	136	Switch, LED Light Kit.....	152, 168
Service Tools.....	114	Switch, Light Kit.....	150
Shaft (040001 -).....	164	Switch, Toggle/Rocker Switch, Levers, Brake and Throttle Cables (- 130000).....	136
Shaft Key, Engine.....	42	T	
Shaft, Chain Drive, LH.....	101	Tank, Fuel.....	78
Shaft, Chain Drive, RH.....	100	Tank, Fuel Tank, Fuel Tank.....	78
Shaft, Cylinder Block and Governor.....	43	Tank, Fuel Tank, Fuel Tank (For China).....	79
Shaft, Differential, Gear Case.....	98	Timing Gear.....	49
Shaft, Gear Case.....	96	Traction Roller.....	126
Shaft, Grooved Roller Kit, 2.5 inch, QA5/QA7, 22 inch.....	123	Tube, Cylinder Head.....	45, 57, 69
Shaft, Handlebar (130001 -).....	140	Tube, Front Roller Adjusters.....	124
Shaft, Heavy Duty Grooved Disc Front Roller Kit, 3 inch.....	130	Tube, Fuel Tank.....	78
Shaft, Rocker Arm Shaft, Cylinder Block and Governor.....	55, 67	Tube, Fuel Tank (For China).....	79
Shaft, Rotary Brush, 22 inch (040001 -).....	164	Tube, Mower Reel and Housing, 11 Blade (090001 -).....	112
Shaft, Shaft Key, Belt Drive and Brake.....	94	Tube, Mower Reel and Housing, 14 Blade (090001 -).....	110
Shaft, Shaft Key, Chain Drive, LH.....	101	V	
Shaft, Shaft Key, Chain Drive, RH.....	100	Valve Cover And Guide.....	45
Shaft, Shaft Key, Crankshaft and Piston.....	49	VALVES, INTAKE & EXHAUST.....	46
Shaft, Shaft Key, Crankshaft, Connecting Rod and Piston.....	61, 73	Vertical Cutter.....	160
Shaft, Shaft Key, Engine.....	42, 54, 66	Vertical Cutter and Brush.....	160
Shaft, Shaft Key, Flywheel and Fan.....	50, 62, 74	W	
Shaft, Shaft Key, Greens Tender Conditioners Rotary Brush Drive Kit.....	154	Warning Labels.....	178
Shaft, Shaft Key, Mower Reel and Housing, 11 Blade (090001 -).....	112	Weight, Cylinder Block and Governor.....	43
Shaft, Shaft Key, Mower Reel and Housing, 14 Blade (090001 -).....	110	Weight, Governor.....	43
Shaft, Shaft Key, Reel Adjusters and Drive (010001 - 090000).....	108	Wheel, Rim, Parking Stand, Wheels and Tires Kit.....	146, 148
Shaft, Shaft Key, Traction Roller.....	126	Wheel, Rim, Stand Kit.....	172
Shaft, Steering Arm, Handlebar.....	142	WIRING HARNESS (MAIN) (- 120000).....	91
Shaft, Vertical Cutter and Brush.....	160		
Sheave, Belt Drive and Brake.....	94		
Shield, Muffler Heat.....	86		
Shift Collar.....	98		
Shoe, Bed Knife (010001 - 090000).....	106		
Shoe, Mower Reel and Housing, 11 Blade (090001 -).....	112		
Shoe, Mower Reel and Housing, 14 Blade (090001 -).....	110		
Shoe, Reel and Bed Knife (010001 - 090000).....	106		
Shroud, Engine Fan.....	48		
Shroud, Engine Shroud and Fan Cover.....	48, 60, 72		
Signs (English).....	176		
Signs, Safety.....	178		
Sleeve, Cylinder Block and Governor.....	43		
Sleeve, Fuel Tank.....	78		
Sleeve, Fuel Tank (For China).....	79		
Sleeve, Grooved Roller Kit, 2.5 inch, QA5/QA7, 22 inch.....	123		
Sleeve, Half Sleeve, Handlebar (130001 -).....	140		
Sleeve, Half Sleeve, Steering Arm, Handlebar.....	142		
Sleeve, Heavy Duty Grooved Disc Front Roller Kit, 3 inch.....	130		
Smooth Roller, W/ Bearings, 22 inch.....	128		
Smooth Rollers, 2 inch.....	129		
Smooth Rollers, Extended, 2 inch.....	118		
Smooth Rollers, Extended, Front.....	117		
Smooth Rollers, Extended, Hollow, 2 inch.....	116		
Smooth Rollers, Front.....	119		
Spacer, Vertical Cutter.....	160		
Spark Plug.....	45, 90		
Spark, Arrester.....	86		
Spindle, Traction Roller.....	126		
Spring, Recoil Starter.....	51		
SPRING, VALVE.....	46		
Sprocket, Chain Sprocket, Chain Drive, LH.....	101		
Sprocket, Chain Sprocket, Chain Drive, RH.....	100		
Sprocket, Chain Sprocket, Differential, Gear Case.....	98		

Sectional Pictorial Index
 Index d'illustrations par sections.
 Gruppenbildindex
 Indice illustrato delle sezioni
 Índice de ilustraciones por secciones
 Avsnittsbildregister

PU25904 A.1

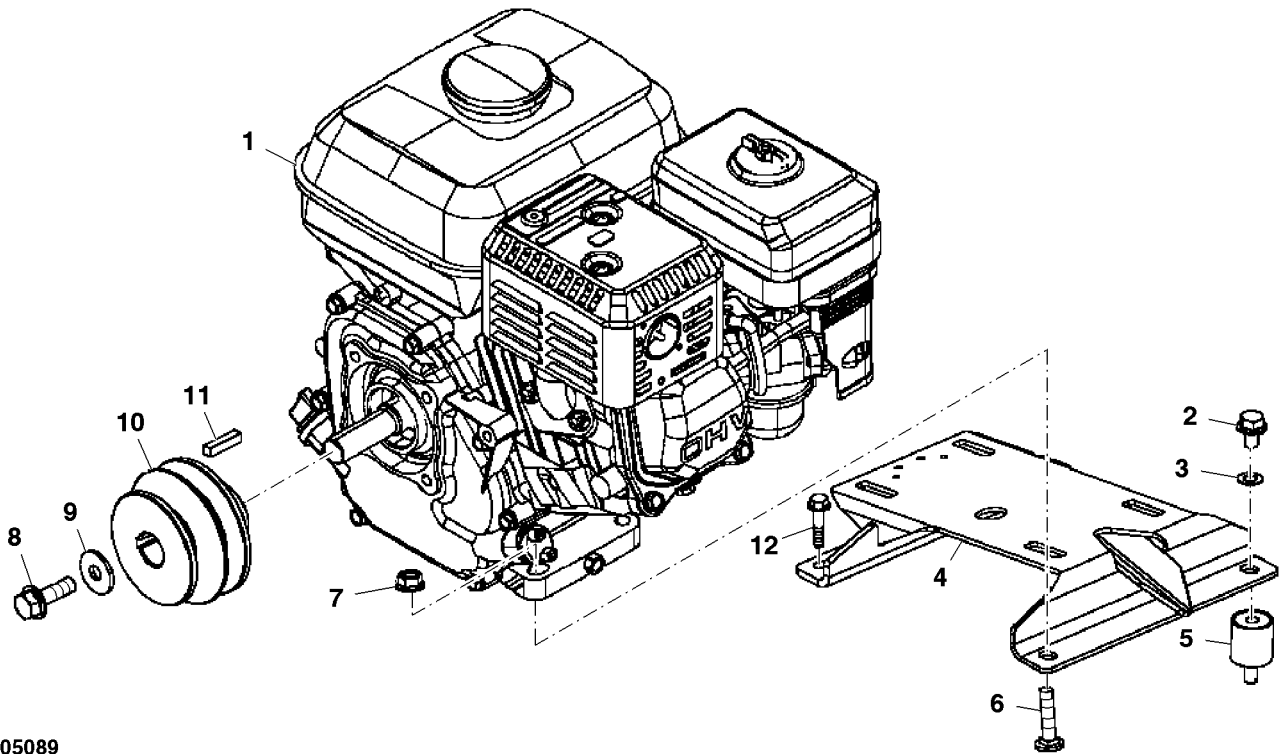
1-	42
2-	43
3-	44
4-	45
5-	46
6-	47
7-	48
8-	49
9-	50
10-	51
11-	52



PU25904

Engine
Engine
Engine
Engine
Engine
Engine

PU05089 A.1



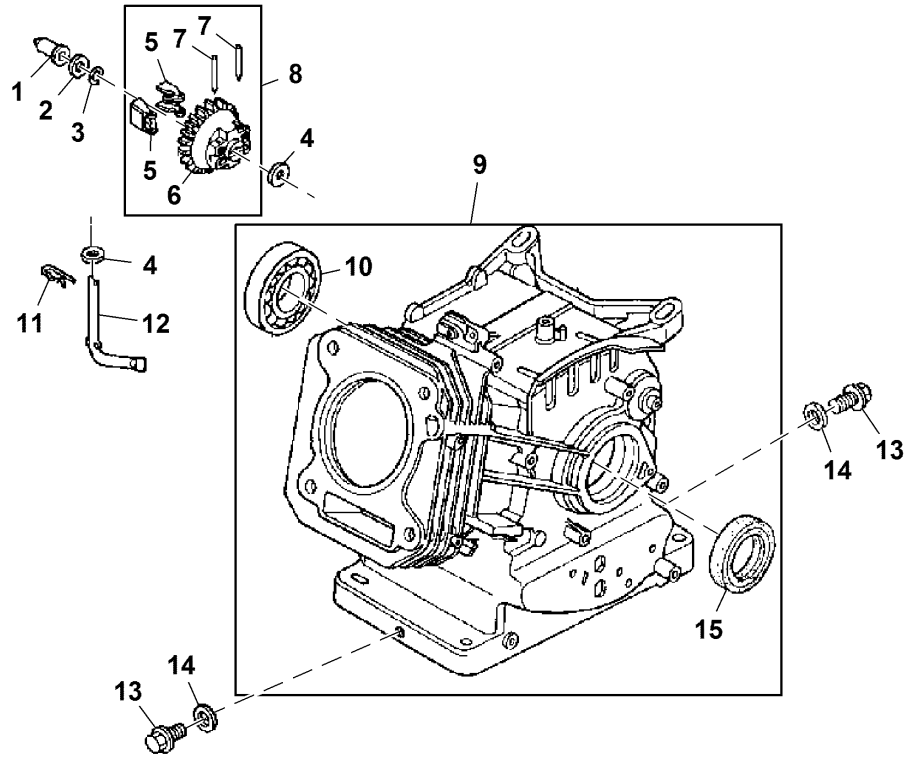
PU05089

Key	Part No.	Part Name	Qty.	Serial No.	Remarks
1	MIA11583	Gasoline Engine	1		MARKED GX120UT-SJD2-NH105; ORDER MIA11848
	MIA11848	Gasoline Engine	1		MARKED GX120UT1-SJD2-MH105; ORDER MIA12082
	MIA12082	Gasoline Engine	1		MARKED GX120UT1-SJD2-NH105; ORDER MIA12210
	MIA12210	Gasoline Engine	1		MARKED GX120UT2-SJD2-NH1; ORDER MIA12654
	MIA12654	Gasoline Engine	1		MARKED GX120UT2-SJD2-NH1; ORDER AUC14413
	AUC14413	Gasoline Engine	1	-110000	MARKED GX120UT2-SJD2-NH1; ORDER AUC14414 OR AUC14498
	AUC14414	Gasoline Engine	1	110001-	MARKED GX120UT3-SJD2, Not For China, Components on Separate Page
	AUC14498	Gasoline Engine	1		MARKED GX120T3SJD5, For China, Components on Separate Page
2	19M7864	Screw	2		M8 X 12
3	12M7032	Lock Washer	2		8.400 mm
4	AMT2839	Bracket	1		Mounting
5	MT3153	Isolator	2		
6	03M7187	Bolt	4		M8 X 35
7	E63525	Nut	4		
8	19M7867	Screw	1		M8 X 25
9	24M7298	Washer	1		8.400 X 25 X 2 mm
10	TCU24802	Pulley	1		OD = 75.90 mm
11	49M6496	Shaft Key	1		5 X 22 mm
12	19M7866	Screw	2		M8 X 20

Cylinder Block and Governor
 Cylinder Block and Governor
 Cylinder Block and Governor
 Cylinder Block and Governor
 Cylinder Block and Governor



PU32482 A.1

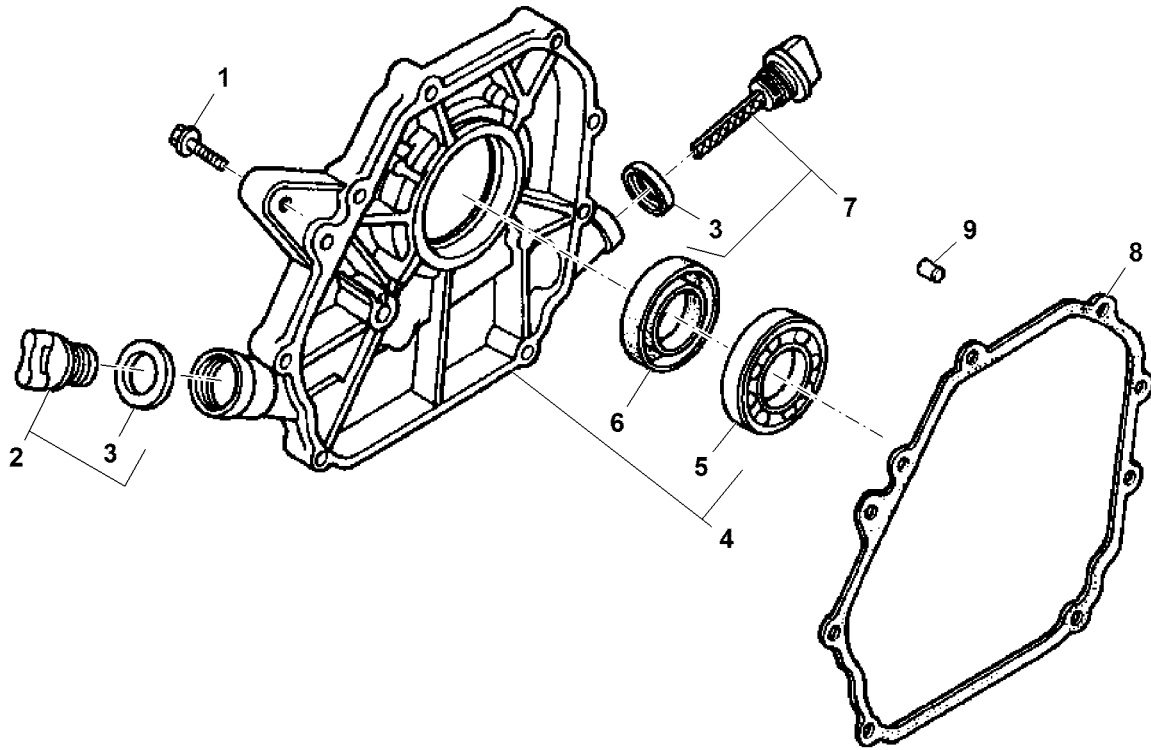


PU32482

Key	Part No.	Part Name	Qty.	Serial No.	Remarks
1	M128214	Sleeve	1		
2	M128217	Thrust Washer	1		
3	M128219	Snap Ring	1		
4	M134750	Washer	2		
5	M128211	Weight	2		
6	M128212	Holder	1		
7	M128213	Pin Fastener	2		
8	AM123793	Governor Kit	1		
9	MIA11595	Cylinder Block	1		
10	M128220	Ball Bearing	1		
11	M128225	Spring Locking Pin	1		
12	M128215	Shaft	1		Arm
13	M128216	Bolt	2		
14	M128218	Washer	2		
15	MIU11460	Seal	1		

Crankcase Cover and Dipstick
 Crankcase Cover and Dipstick
 Crankcase Cover and Dipstick
 Crankcase Cover and Dipstick
 Crankcase Cover and Dipstick

PU25923 A.1



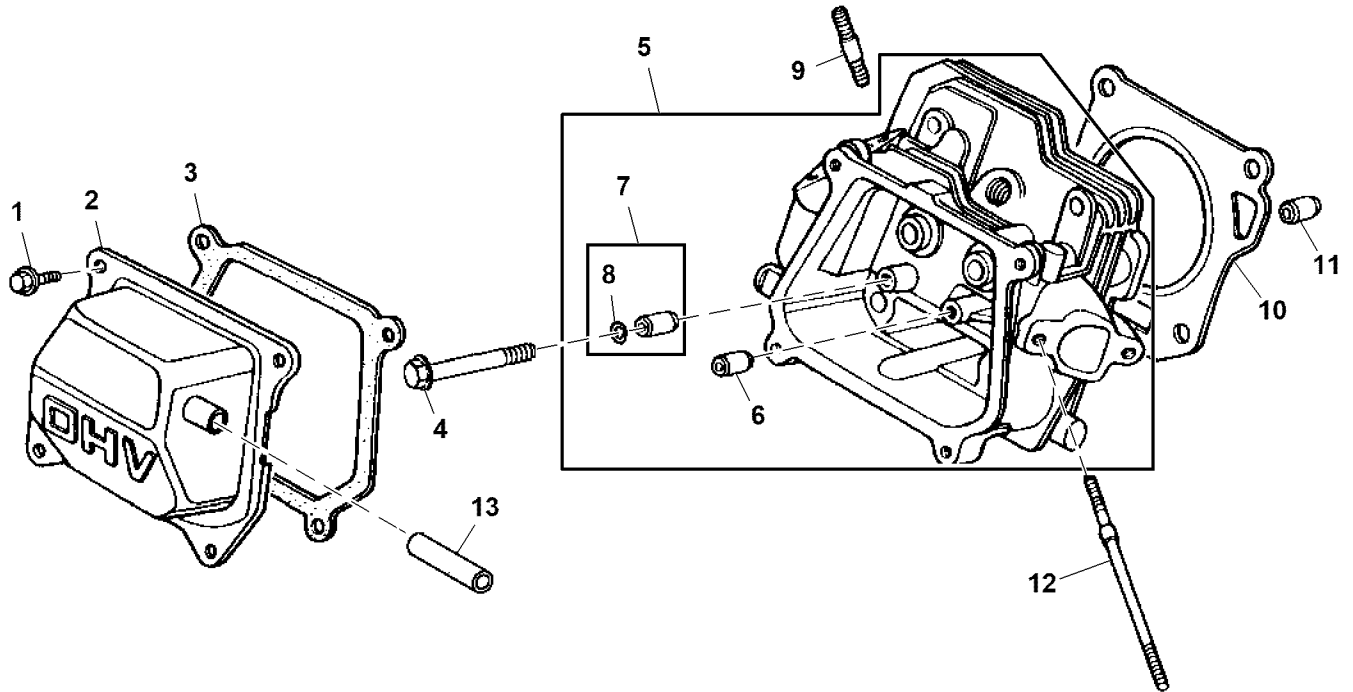
PU25923

Key	Part No.	Part Name	Qty.	Serial No.	Remarks
1	37M7104	Screw	7		M6 X 30
2	MIA11597	Filler Cap	1		
3	MIU12380	Gasket	2		Oil Filter Cap
4	MIA11043	Cover Kit	1		
5	M128220	Ball Bearing	1		
6	MIU11461	Seal	1		
7	MIA11596	Dipstick	1		
8	M128227	Gasket	1		Case Cover
9	M128235	Dowel Pin	2		

Cylinder Head
 Cylinder Head
 Cylinder Head
 Cylinder Head
 Cylinder Head
 Cylinder Head



PU48681 A.1

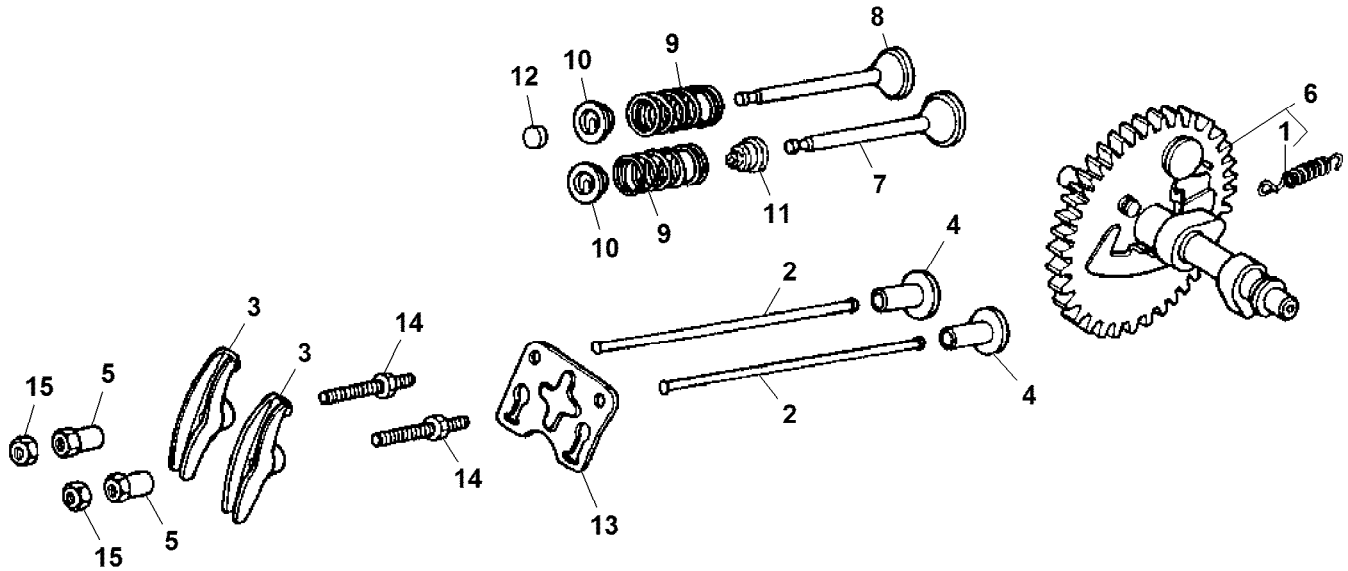


PU48681

Key	Part No.	Part Name	Qty.	Serial No.	Remarks
1	M128277	Bolt	4		
2	MIU11459	Cover	1	-030000	
	MIU13862	Cover	1	030001-	
3	M128199	Gasket	1		Head Cover
4	M128205	Bolt	4	-030000	
	MIU13864	Bolt	4	030001-	
5	MIA11041	Cylinder Head	1		
6	M128194	Guide	1		Intake Valve
7	M128195	Guide	1		Exhaust Valve
8	M128196	Snap Ring	1		
9	M128203	Stud	2		
10	MIU12379	Gasket	1		Cylinder Head
11	M128204	Dowel Pin	2		
12	M128202	Stud	2	-030000	
	MIU13863	Stud	2	030001-	
13	M128200	Tube	1		Breather

Camshaft and Valves
 Camshaft and Valves
 Camshaft and Valves
 Camshaft and Valves
 Camshaft and Valves
 Camshaft and Valves

PU25872 A.1



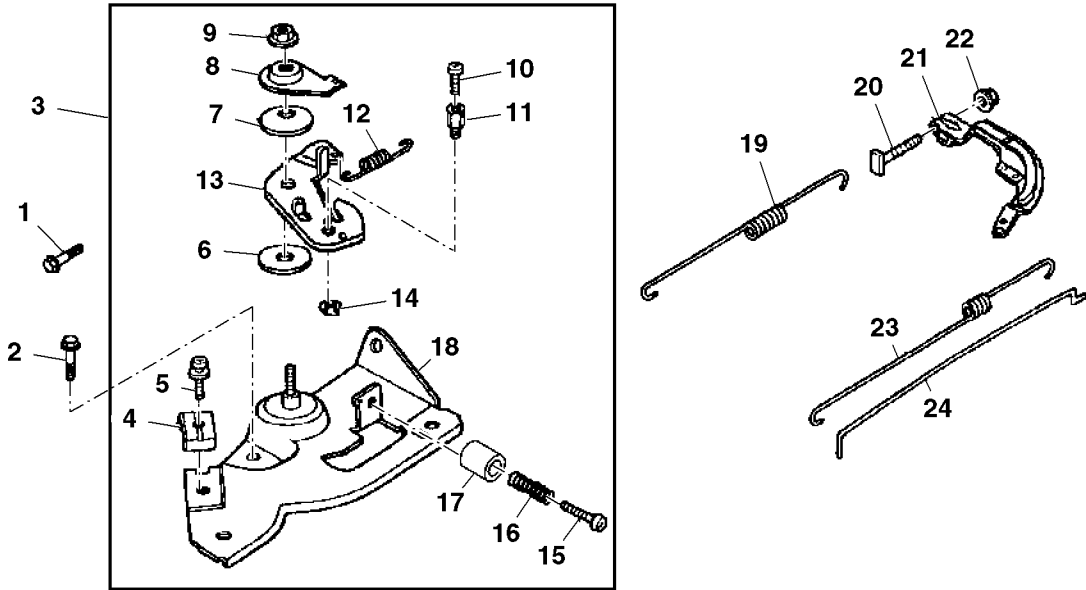
PU25872

Key	Part No.	Part Name	Qty.	Serial No.	Remarks
1	M128260	Spring	1		Weight Return
2	M128253	Push Rod	2		
3	M128255	Arm	2		Rocker Valve
4	M128257	Valve Lifter	2		
5	UC24491	Pivot	2		SUB FOR M128259, Rocker Arm
6	AM123808	Camshaft	1		
7	M128261	Intake Valve	1	-030000	
8	MIU13866	Intake Valve	1	030001-	
8	M128262	Exhaust Valve	1	-030000	
	MIU13867	Exhaust Valve	1	030001-	
9	M128263	Spring	2		Valve
10	UC16619	Retainer	2		SUB FOR M128264 OR MIU13868 OR MIU12381
11	M147913	Seal	1	-030000	
	MIU13865	Seal	1	030001-	
12	M128266	Rotator	1		Valve
13	M128267	Plate	1		Push Rod
14	M128268	Bolt	2		
15	M128269	Nut	2		

Control Lever
 Control Lever
 Control Lever
 Control Lever
 Control Lever
 Control Lever



PU05094 A.1



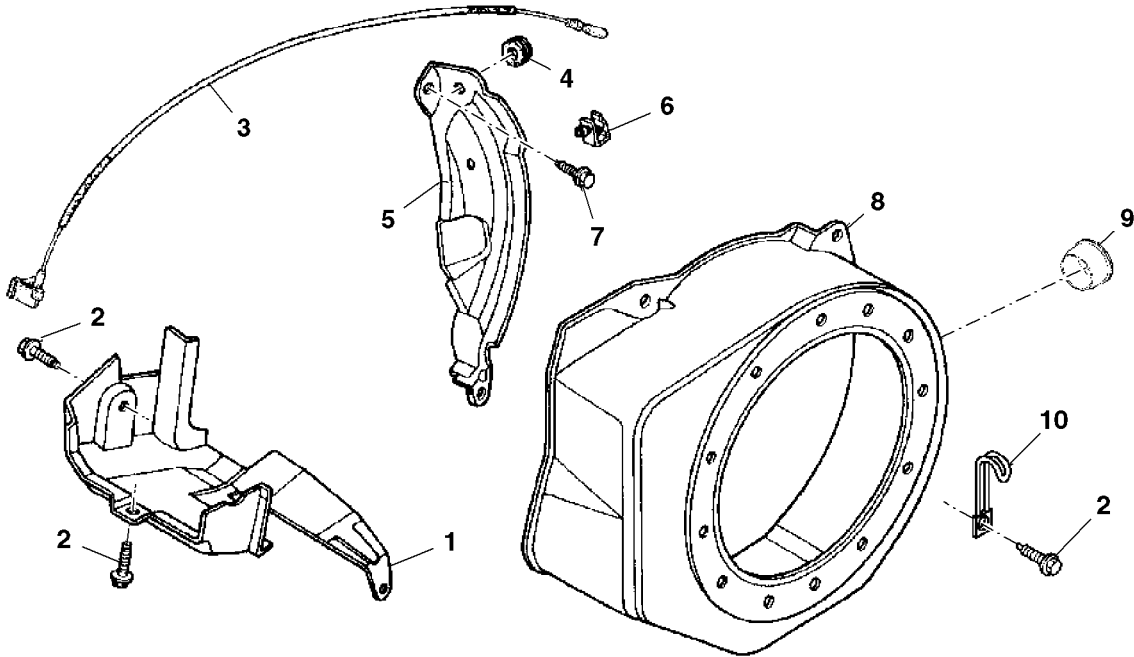
PU05094

Key	Part No.	Part Name	Qty.	Serial No.	Remarks
1	M128278	Bolt	1		
2	M128277	Bolt	1		
3	MIA11051	Control Kit	1	-030000	
	MIA12401	Control Kit	1	030001-	
4	M128297	Holder	1		Cable
5	M128364	Screw	1		
6	M128298	Washer	1		
7	M128295	Spring	1		
8	M128296	Lever	1		
9	M128362	Lock Nut	1		
10	M128226	Bolt	1		
11	M128222	Holder	1		
12	M128300	Spring	1		Cable Return
13	M128294	Control Lever	1	-030000	
	MIU13888	Control Lever	1	030001-	
14	M128223	Nut	1		
15	M140215	Bolt	1		
16	M128299	Spring	1		Control Adjusting
17	M140214	Bushing	1		
18	AM123815	Base	1	-030000	
	MIU13889	Base	1	030001-	
19	M128292	Spring	1		
20	M128301	Bolt	1		
21	M128290	Arm	1		
22	14M7303	Flange Nut	1		M6
23	M128293	Spring	1		Throttle Return
24	M128291	Rod	1		

Engine Shroud and Fan Cover
 Engine Shroud and Fan Cover
 Engine Shroud and Fan Cover
 Engine Shroud and Fan Cover
 Engine Shroud and Fan Cover
 Engine Shroud and Fan Cover



PU05095 A.1



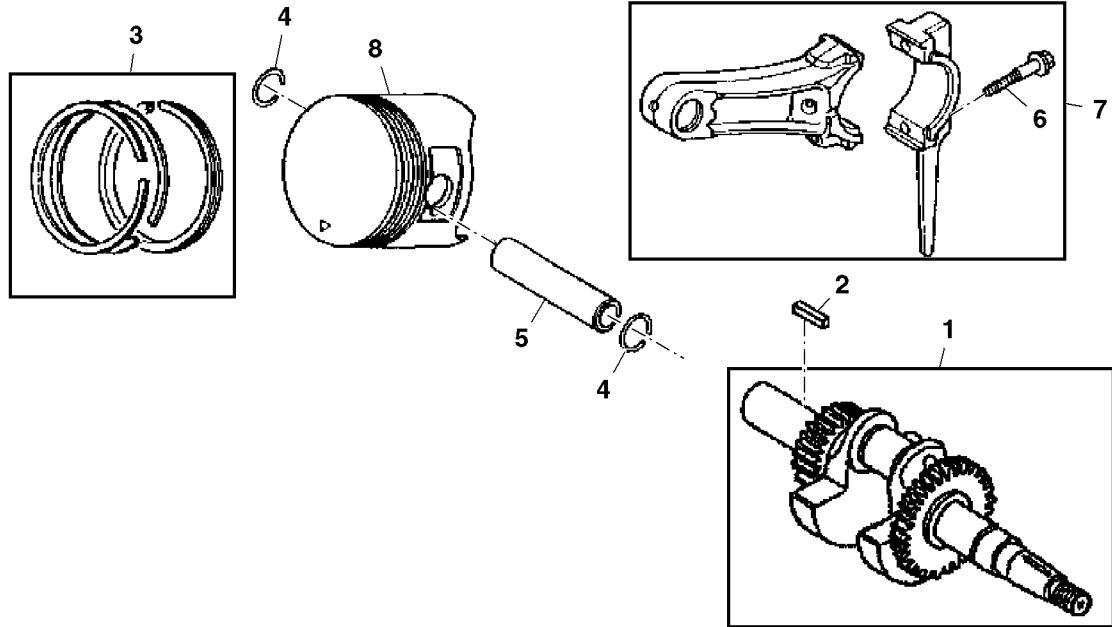
PU05095

Key	Part No.	Part Name	Qty.	Serial No.	Remarks
1	M128273	Shroud	1		
2	M128277	Bolt	6		
3	M128275	Wire	1		Stop Switch to Ground
4	M128270	Grommet	1		
5	M128271	Plate	1		Side
6	M128272	Clamp	1		
7	M128278	Bolt	1		
8	AM123810	Cover	1	-030000	Fan, Black
	MIU13869	Cover	1	030001-	Fan, Black
9	99M7010	Plug	1		
10	M149301	Clamp	2		

Crankshaft and Piston
 Crankshaft and Piston
 Crankshaft and Piston
 Crankshaft and Piston
 Crankshaft and Piston



PU05096 A.1



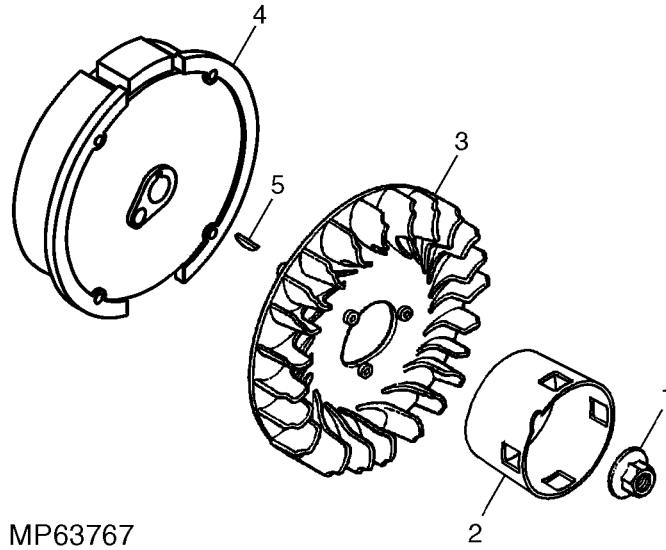
PU05096

Key	Part No.	Part Name	Qty.	Serial No.	Remarks
1	MIA11598	Crankshaft	1		
2	49M6496	Shaft Key	1		5 X 22 mm
3	MIA11046	Piston Ring Kit	1		STD
	MIA11047	Piston Ring Kit	1		OS = 0.5 mm
4	M128251	Snap Ring	2		
5	M128246	Piston Pin	1		
6	M128248	Bolt	2		
7	MIA11599	Connecting Rod	1		
8	MIU11462	Piston	1		STD
	MIU11463	Piston	1		OS = 0.5 mm

Flywheel and Fan
 Flywheel and Fan
 Flywheel and Fan
 Flywheel and Fan
 Flywheel and Fan



MP63767 A.1



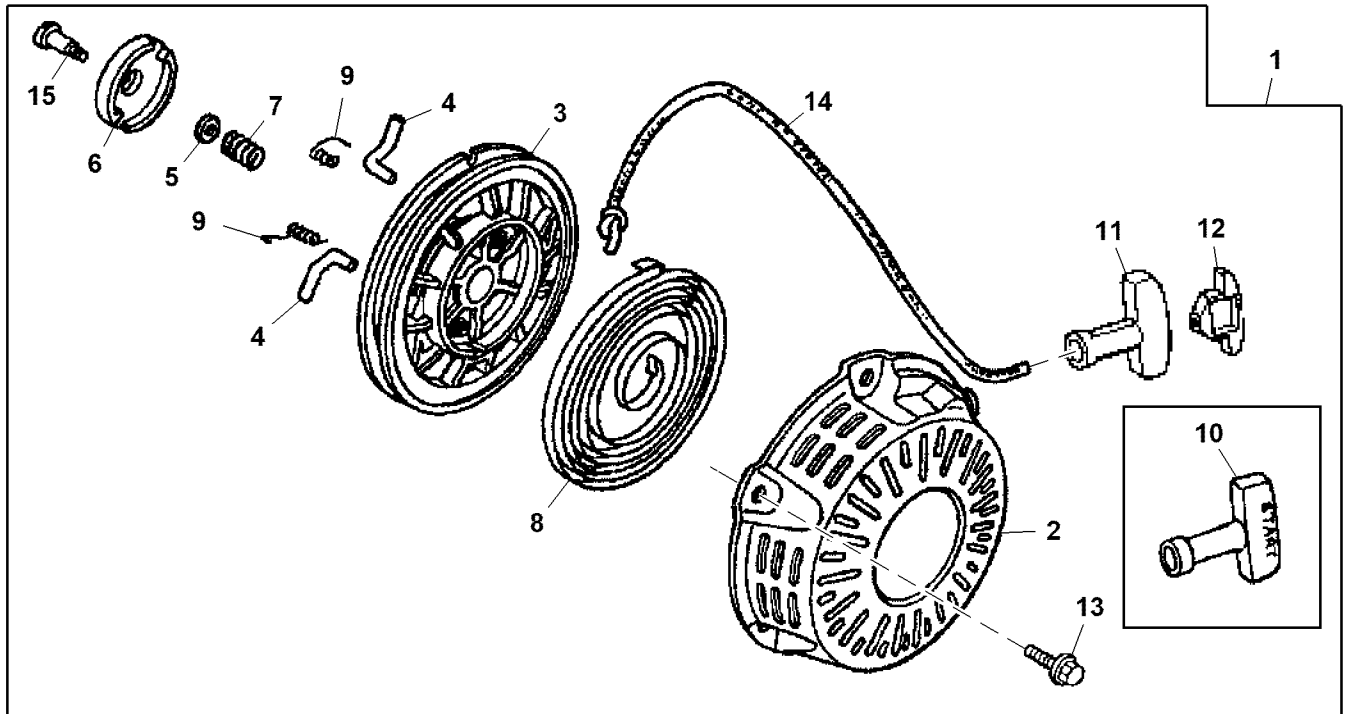
MP63767

Key	Part No.	Part Name	Qty.	Serial No.	Remarks
1	MIU12384	Nut	1		
2	MIU11136	Pulley	1		Starter
3	M128237	Fan	1		Cooling
4	MIA11049	Flywheel	1		
5	M128236	Shaft Key	1		

Recoil Starter
 Recoil Starter
 Recoil Starter
 Recoil Starter
 Recoil Starter
 Recoil Starter



PU48730 A.1

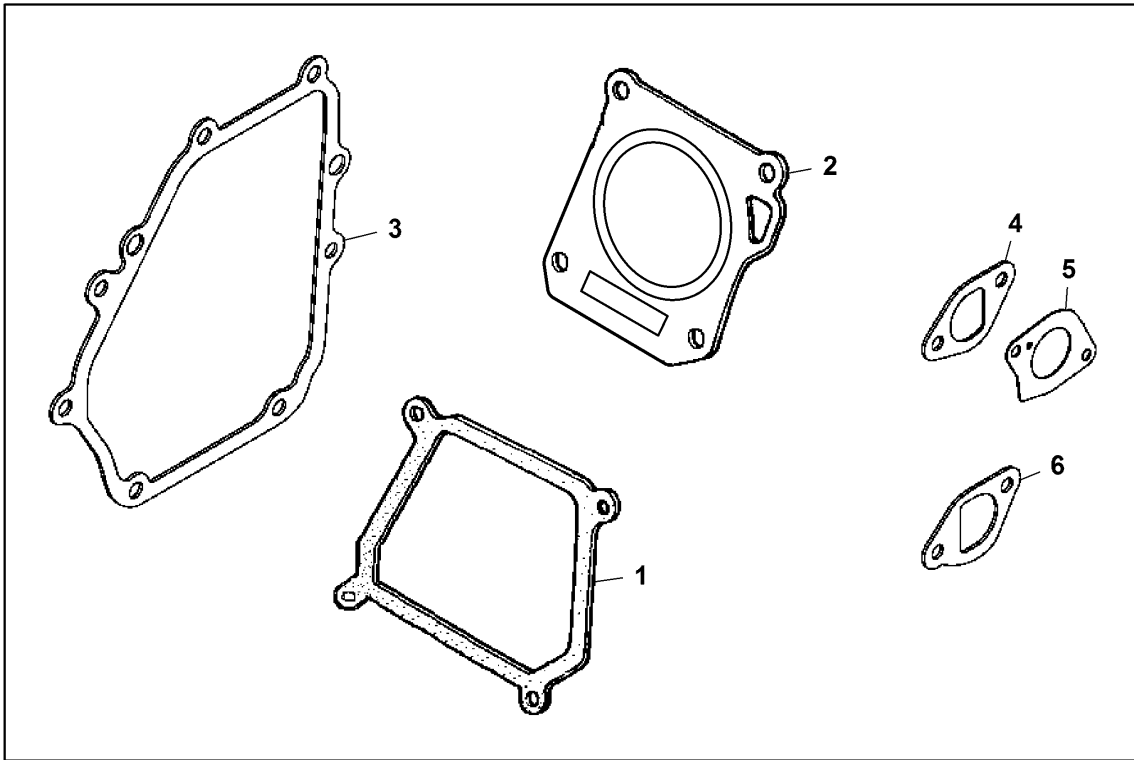


PU48730

Key	Part No.	Part Name	Qty.	Serial No.	Remarks
1	MIA10648	Kit	1	-030000	Recoil Starter
	MIA12397	Kit	1	030001-	Recoil Starter
2	AM123813	Case	1	-030000	
	MIU13870	Case	1	030001-	
3	MIU11128	Reel	1	-030000	
	MIU13871	Reel	1	030001-	
4	MIU11129	Ratchet	2		
5	MIU11130	Plate	1		
6	MIU11131	Guide	1		
7	MIU11132	Spring	1		
8	M128283	Spring	1		Recoil Starter
9	MIU11133	Spring	2		Return
10	M128285	Knob	1	-030000	Recoil Starter
11	MIU13872	Knob	1	030001-	
12	MIU13873	Knob	1	030001-	Reinforcement
13	MIU11135	Bolt	3		
14	M128286	Rope	1		
15	MIU11134	Set Screw	1		

Engine Gasket Kit
 Engine Gasket Kit
 Engine Gasket Kit
 Engine Gasket Kit
 Engine Gasket Kit
 Engine Gasket Kit

PU32484 A.1



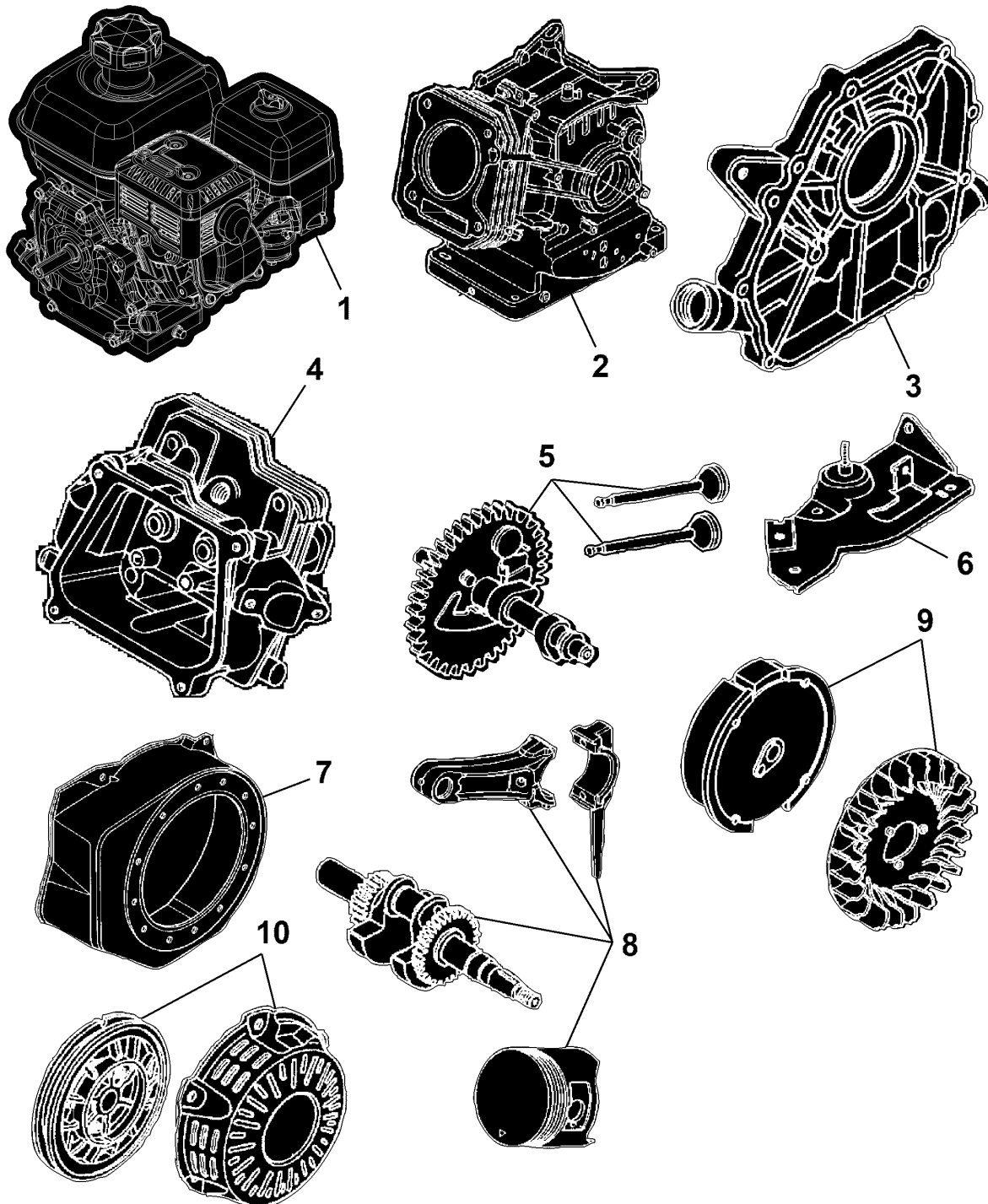
PU32484

Key	Part No.	Part Name	Qty.	Serial No.	Remarks
1	M128199	Gasket	1		Cylinder Head Cover
2	MIU12379	Gasket	1		SUB FOR M128197, Cylinder Head
3	M128227	Gasket	1		Crankcase Cover
4	M128306	Gasket	1		Insulator, Carburetor
5	M128308	Gasket	1		Carburetor
6	MIU12382	Gasket	1		SUB FOR M128332, Muffler
7	AM123833	Gasket Kit	1		

Sectional Pictorial Index
 Index d'illustrations par sections.
 Gruppenbildindex
 Indice illustrato delle sezioni
 Índice de ilustraciones por secciones
 Avsnittsbildregister

PU42422 A.1

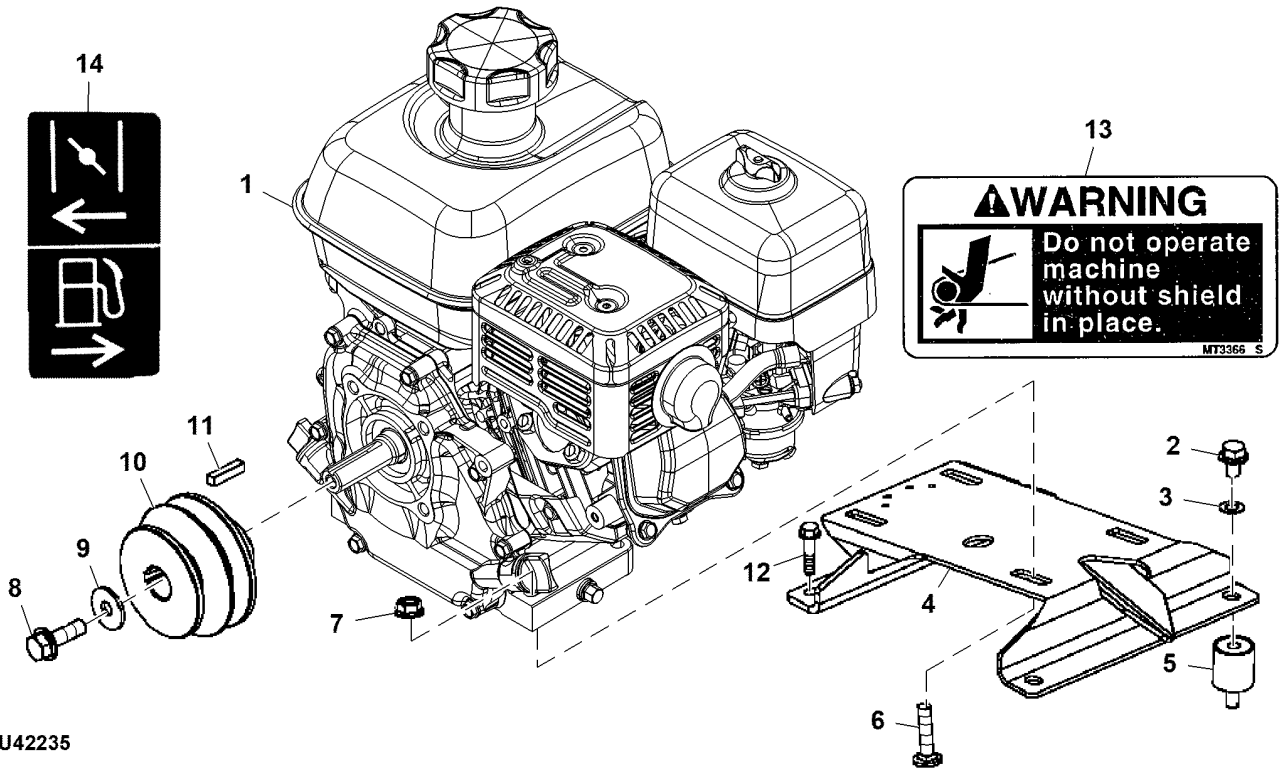
1-	54
2-	55
3-	56
4-	57
5-	70
6-	71
7-	72
8-	73
9-	62
10-	75



PU42422

Engine
 Engine
 Engine
 Engine
 Engine
 Engine

PU42235 A.1



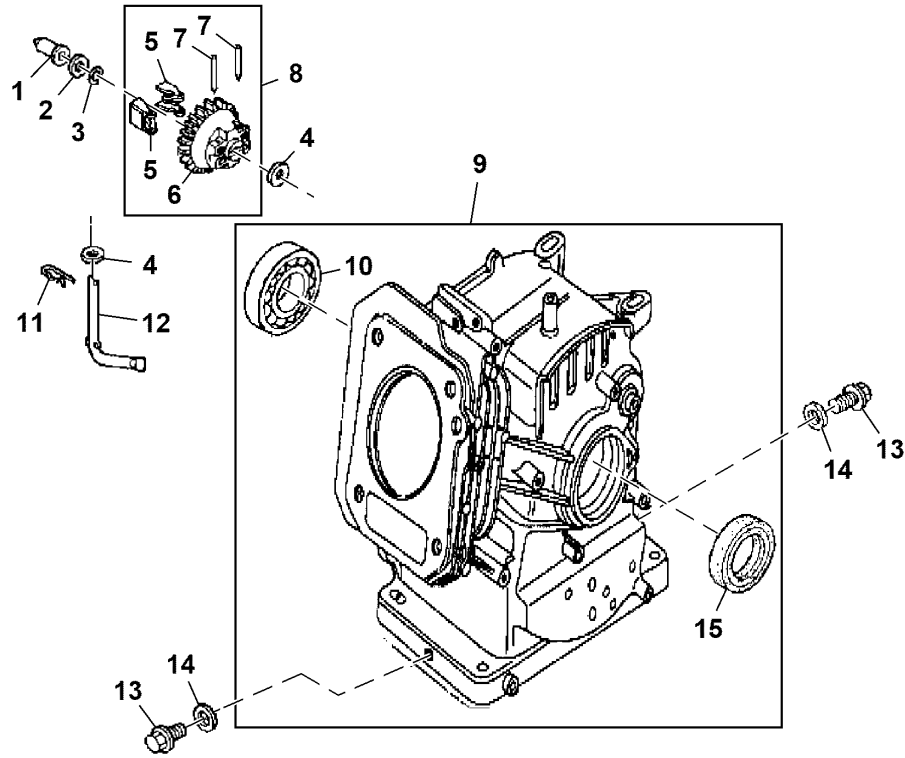
PU42235

Key	Part No.	Part Name	Qty.	Serial No.	Remarks
1	AUC14498	Gasoline Engine	1		MARKED GX120T3SJD5
2	19M7864	Screw	2		M8 X 12
3	12M7032	Lock Washer	2		8.400 mm
4	AMT2839	Bracket	1		Mounting
5	MT3153	Isolator	2		Engine
6	03M7187	Bolt	4		M8 X 35
7	E63525	Nut	4		
8	19M7867	Screw	1		M8 X 25
9	24M7298	Washer	1		8.400 X 25 X 2 mm
10	TCU24802	Pulley	1		OD = 75.90 mm
11	49M6496	Shaft Key	1		5 X 22 mm
12	19M7866	Screw	2		M8 X 20
13	MT3366	Label	1		Warning, Shield
14	MIU14070	Label	1		Choke

Cylinder Block and Governor
 Cylinder Block and Governor
 Cylinder Block and Governor
 Cylinder Block and Governor
 Cylinder Block and Governor



PU42236 A.1

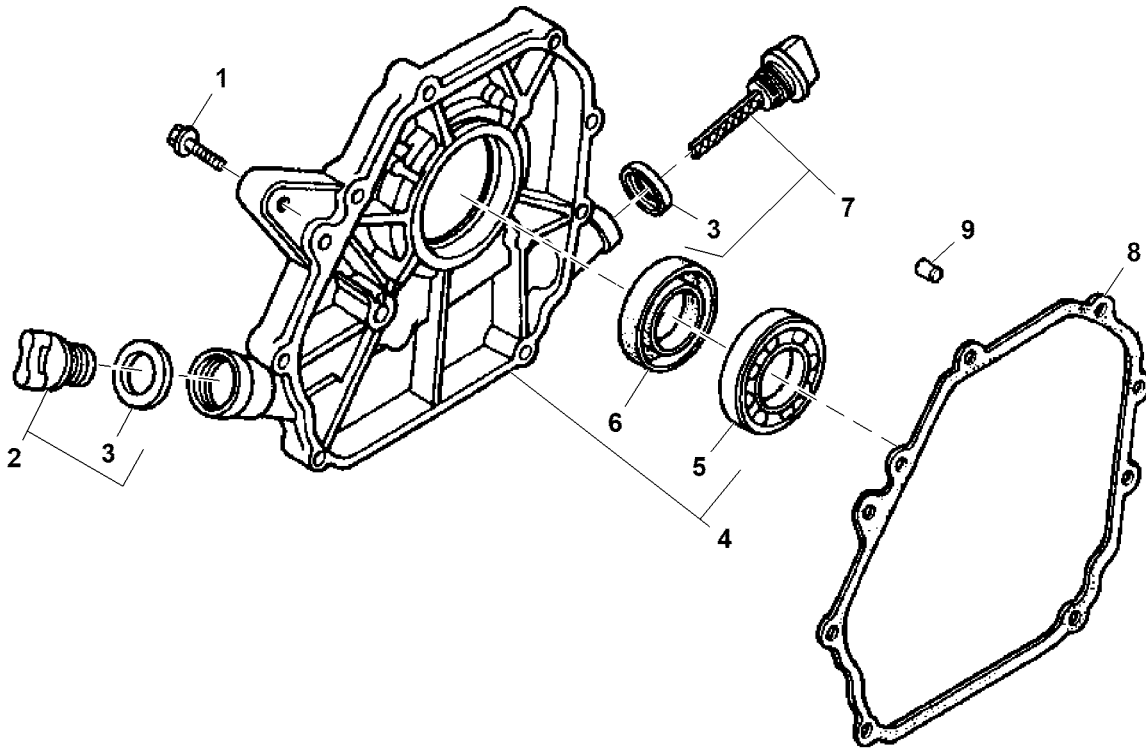


PU42236

Key	Part No.	Part Name	Qty.	Serial No.	Remarks
1	UC24484	Governor	1		
2	M128217	Thrust Washer	1		
3	M128219	Snap Ring	1		
4	M134750	Washer	2		
5	UC24482	Counterweight	2		Governor Counterweight
6	UC24483	Holder	1		Counterweight
7	M128213	Pin Fastener	2		Counterweight
8	AUC16486	Governor Kit	1		
9	AUC16485	Cylinder Block	1		
10	M128220	Ball Bearing	1		
11	M128225	Spring Locking Pin	1		
12	UC24485	Rocker Arm Shaft	1		Governor Arm
13	M128216	Bolt	2		
14	M128218	Washer	2		
15	MIU11460	Seal	1		Oil

Crankcase Cover and Dipstick
 Crankcase Cover and Dipstick
 Crankcase Cover and Dipstick
 Crankcase Cover and Dipstick
 Crankcase Cover and Dipstick

PU42043 A.1

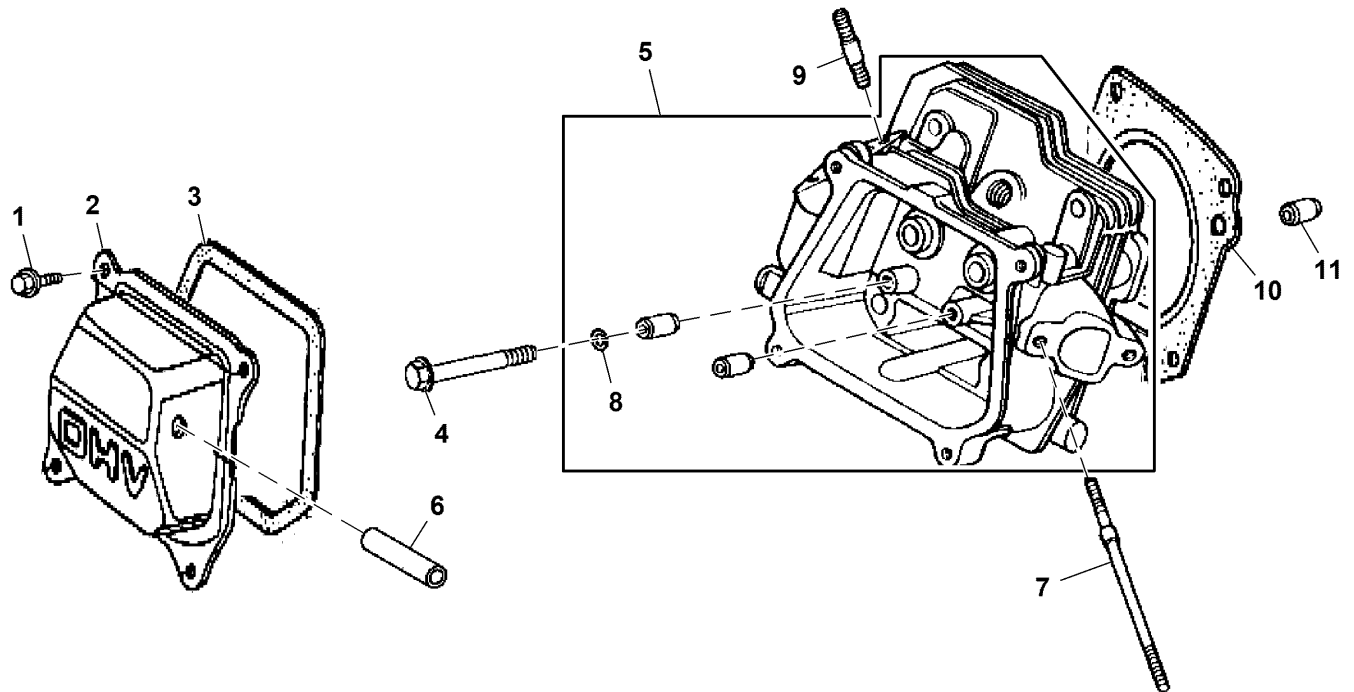


PU42043

Key	Part No.	Part Name	Qty.	Serial No.	Remarks
1	37M7104	Screw	7		M6 X 30
2	MIA11597	Filler Cap	1		
3	MIU12380	Gasket	2		Oil Filter Cap
4	MIA11043	Cover Kit	1		Crankcase
5	M128220	Ball Bearing	1		
6	MIU11461	Seal	1		Crankcase
7	MIA11596	Dipstick	1		
8	M128227	Gasket	1		Case Cover
9	M128235	Dowel Pin	2		

Cylinder Head
 Cylinder Head
 Cylinder Head
 Cylinder Head
 Cylinder Head
 Cylinder Head

PU42237 A.1

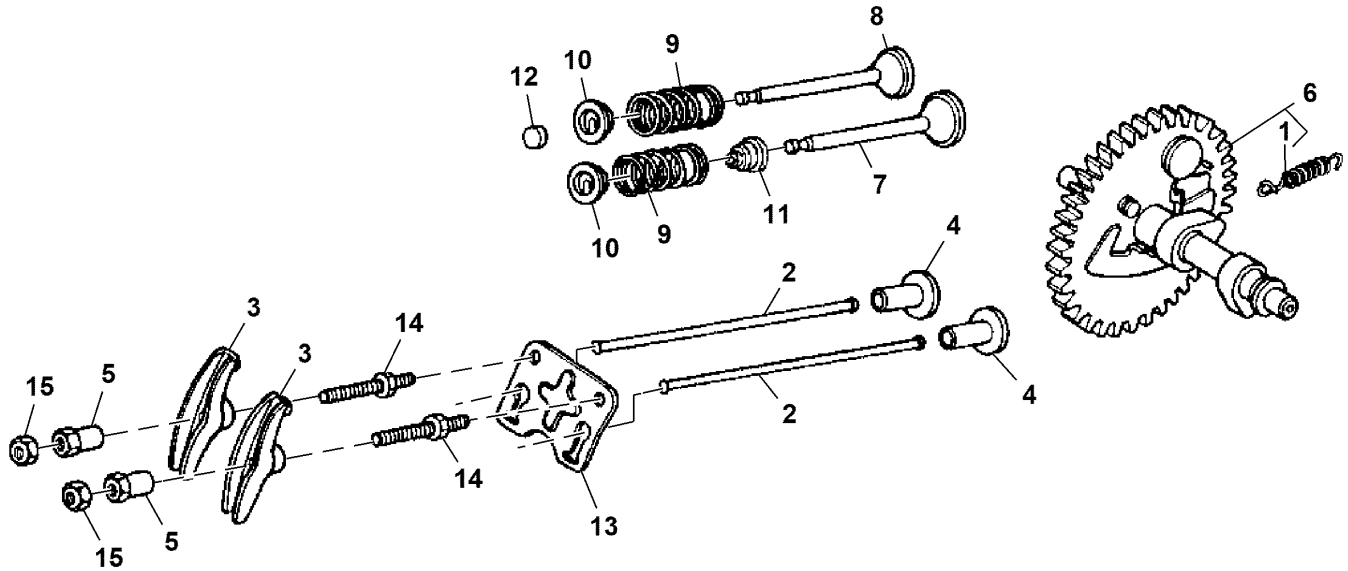


PU42237

Key	Part No.	Part Name	Qty.	Serial No.	Remarks
1	M128277	Bolt	4		
2	UC24480	Cover	1		Cylinder Head
3	M128199	Gasket	1		Cylinder Head
4	MIU13864	Bolt	4		
5	AUC16484	Cylinder Head	1		
6	M128200	Tube	1		Breather
7	MIU13863	Stud	2		
8	M128196	Snap Ring	1		
9	M128203	Stud	2		
10	UC24479	Gasket	1		Cylinder Head
11	M128204	Dowel Pin	2		

Camshaft and Valves
 Camshaft and Valves
 Camshaft and Valves
 Camshaft and Valves
 Camshaft and Valves
 Camshaft and Valves

PU42238 A.1



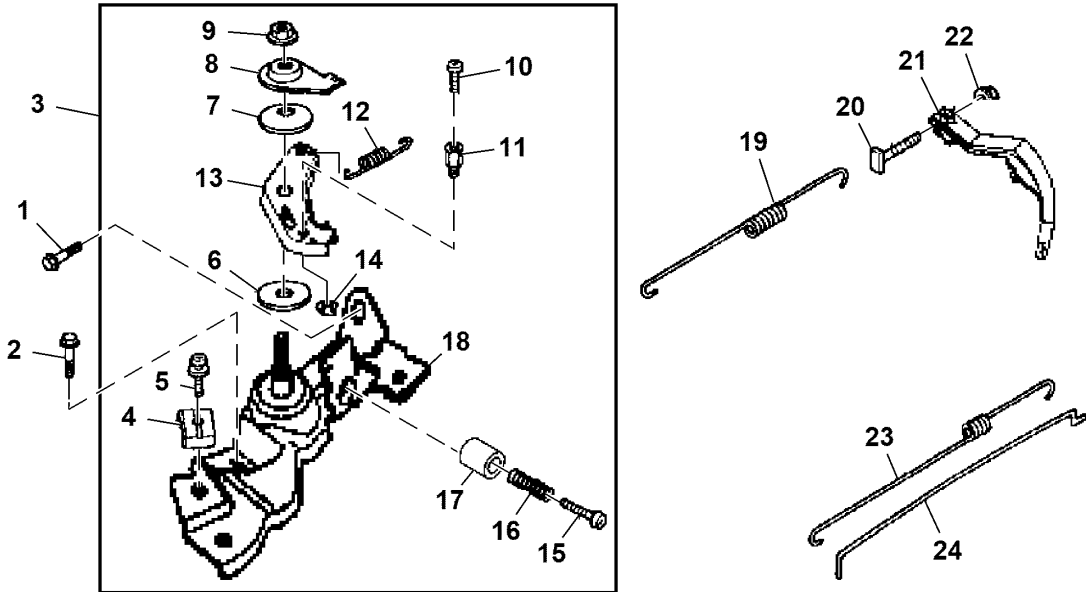
PU42238

Key	Part No.	Part Name	Qty.	Serial No.	Remarks
1	M128260	Spring	1		Weight Return
2	UC24490	Push Rod	2		
3	M128255	Arm	2		Rocker Valve
4	M128257	Valve Lifter	2		
5	UC24491	Pivot	2		Rocker Arm
6	AUC16488	Camshaft	1		
7	UC24492	Intake Valve	1		
8	MIU13867	Exhaust Valve	1		
9	M128263	Spring	2		Valve
10	UC16619	Retainer	2		
11	MIU13865	Seal	1		Valve Stem
12	M128266	Rotator	1		Valve
13	UC24493	Guide	1		Push Rod
14	M128268	Bolt	2		
15	M128269	Nut	2		

Control Lever
 Control Lever
 Control Lever
 Control Lever
 Control Lever
 Control Lever



PU42239 A.1



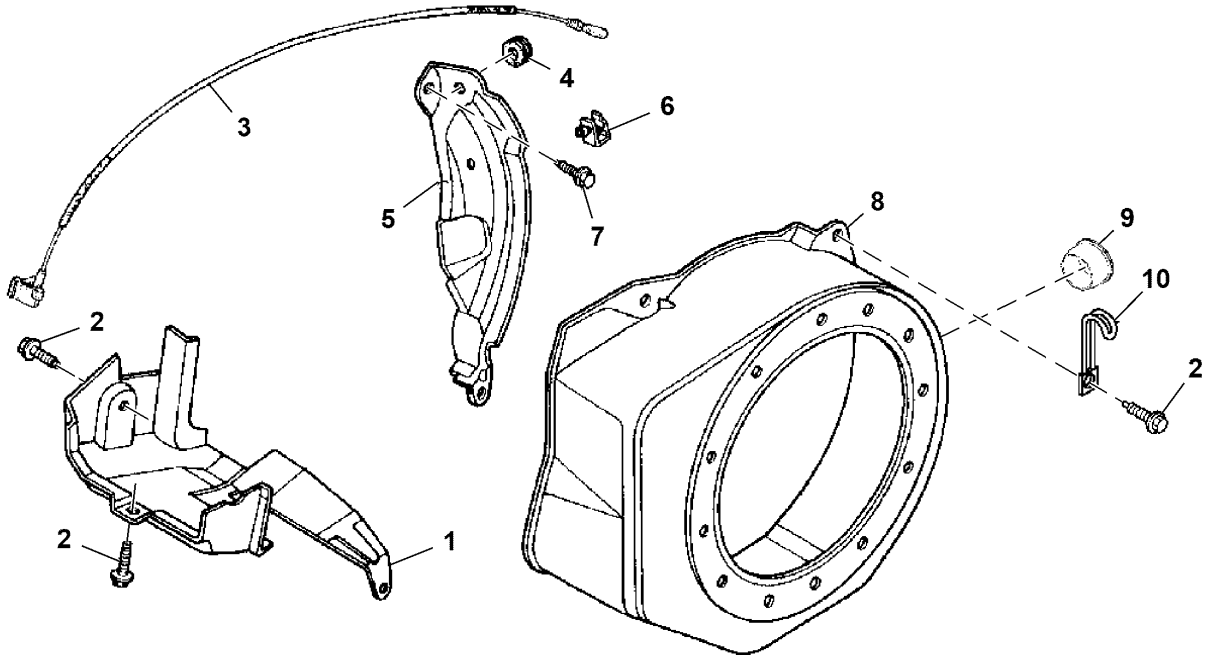
PU42239

Key	Part No.	Part Name	Qty.	Serial No.	Remarks
1	M128278	Bolt	1		
2	M128277	Bolt	1		
3	AUC16498	Control Kit	1		INCLUDES UC24511
4	M128297	Holder	1		Cable
5	M128364	Screw	1		
6	M128298	Spacer	1		
7	M128295	Spring	1		Lever
8	M128296	Washer	1		
9	M128362	Lock Nut	1		
10	M128226	Bolt	1		
11	M128222	Holder	1		
12	M128300	Spring	1		Cable Return
13	UC24514	Control Lever	1		
14	M128223	Nut	1		
15	M140215	Bolt	1		
16	M128299	Spring	1		Control Adjusting
17	M140214	Bushing	1		
18	MIU13889	Base	1		Control Governor
19	UC24512	Spring	1		Governor
20	UC24515	Bolt	1		
21	UC24511	Arm	1		Governor
22	14M7303	Flange Nut	1		M6
23	UC24513	Spring	1		Throttle Return
24	M128291	Rod	1		Governor

Engine Shroud and Fan Cover
 Engine Shroud and Fan Cover
 Engine Shroud and Fan Cover
 Engine Shroud and Fan Cover
 Engine Shroud and Fan Cover
 Engine Shroud and Fan Cover



PU42240 A.1



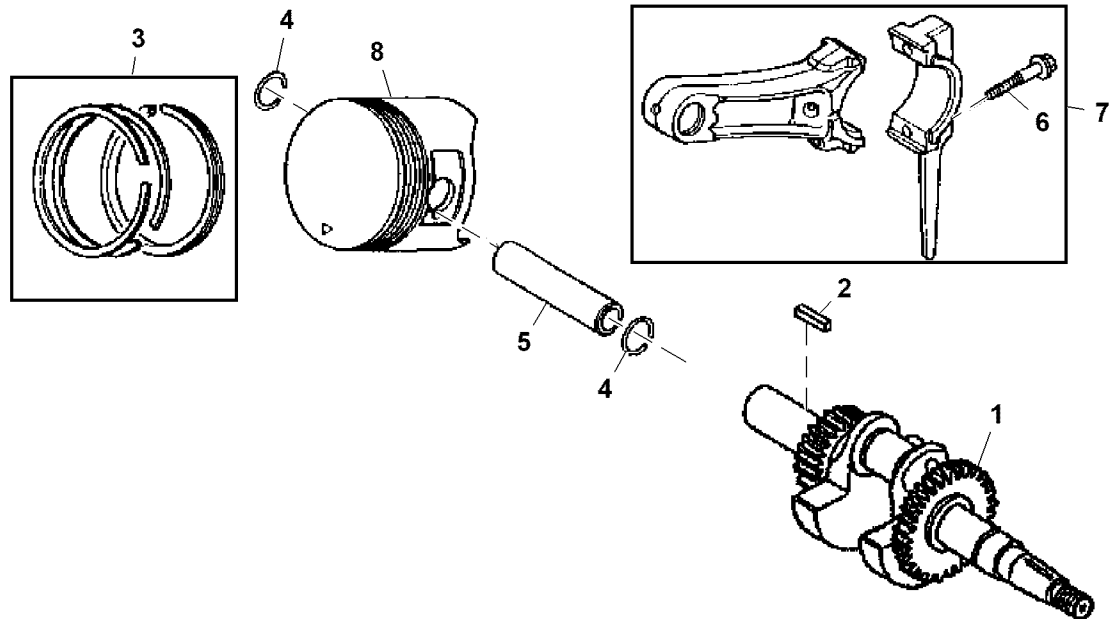
PU42240

Key	Part No.	Part Name	Qty.	Serial No.	Remarks
1	M128273	Shroud	1		
2	M128277	Bolt	6		
3	UC24510	Wire	1		Stop Switch to Ground
4	M128270	Grommet	1		
5	M128271 UC31537	Plate Plate	1 1		ORDER UC31537, Side Side
6	M128272	Clamp	1		
7	M128278	Bolt	1		
8	AM123810	Cover	1		Fan
9	99M7010	Plug	1		
10	M149301	Clamp	2		

Crankshaft, Connecting Rod and Piston
 Crankshaft, Connecting Rod and Piston
 Crankshaft, Connecting Rod and Piston
 Crankshaft, Connecting Rod and Piston
 Crankshaft, Connecting Rod and Piston



PU42047 A.1



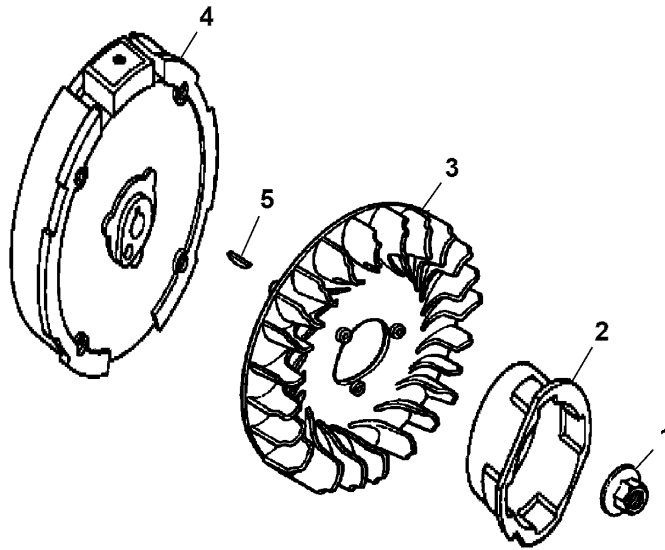
PU42047

Key	Part No.	Part Name	Qty.	Serial No.	Remarks
1	UC24486	Crankshaft	1		
2	49M6496	Shaft Key	1		5 X 22 mm
3	AUC16487	Piston Ring Kit	1		STD, Set of 3
4	M128251	Snap Ring	2		
5	M128246	Piston Pin	1		
6	M128248	Bolt	2		
7	MIA11599	Connecting Rod	1		
8	UC24489	Piston	1		STD

Flywheel and Fan
 Flywheel and Fan
 Flywheel and Fan
 Flywheel and Fan
 Flywheel and Fan



PU42241 A.1

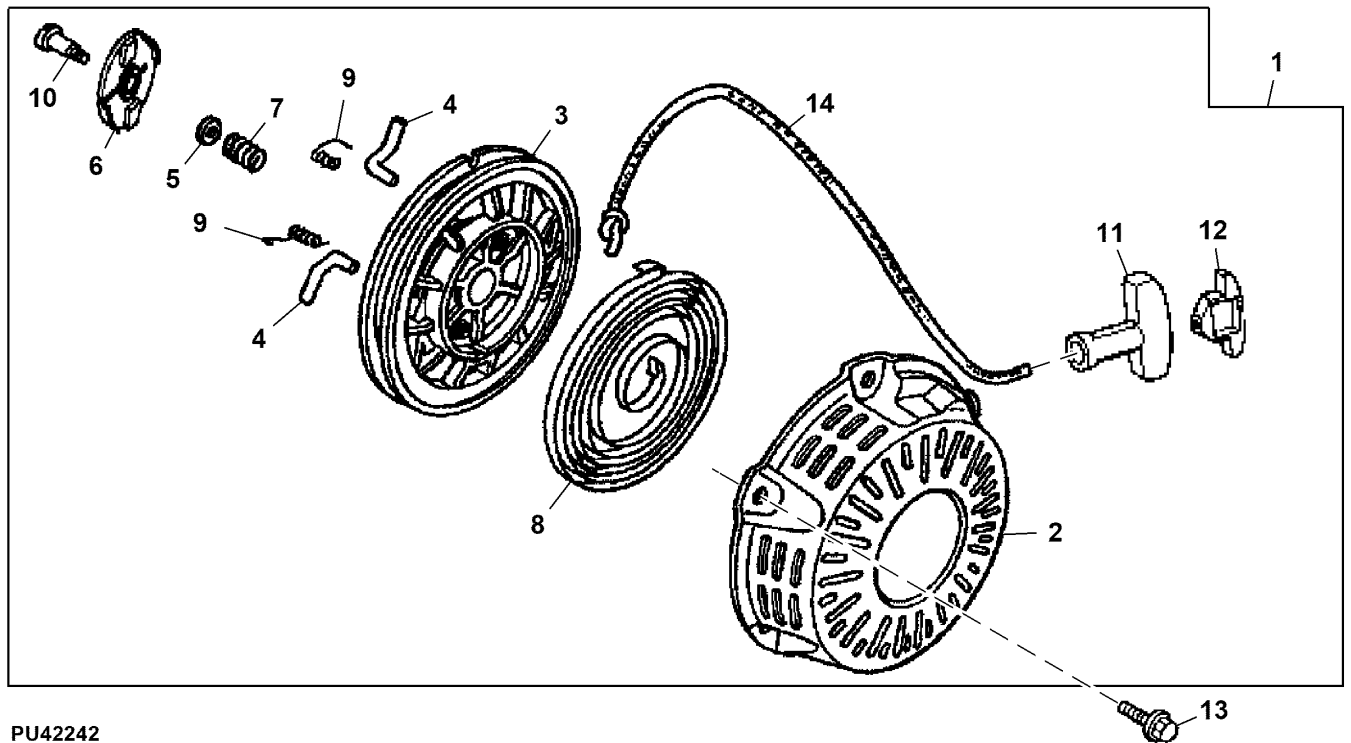


PU42241

Key	Part No.	Part Name	Qty.	Serial No.	Remarks
1	MIU12384	Nut	1		
2	UC24508	Pulley	1		Starter
3	M128237	Fan	1		Cooling
4	UC24507	Flywheel	1		
5	M128236	Shaft Key	1		

Recoil Starter
 Recoil Starter
 Recoil Starter
 Recoil Starter
 Recoil Starter
 Recoil Starter

PU42242 A.1



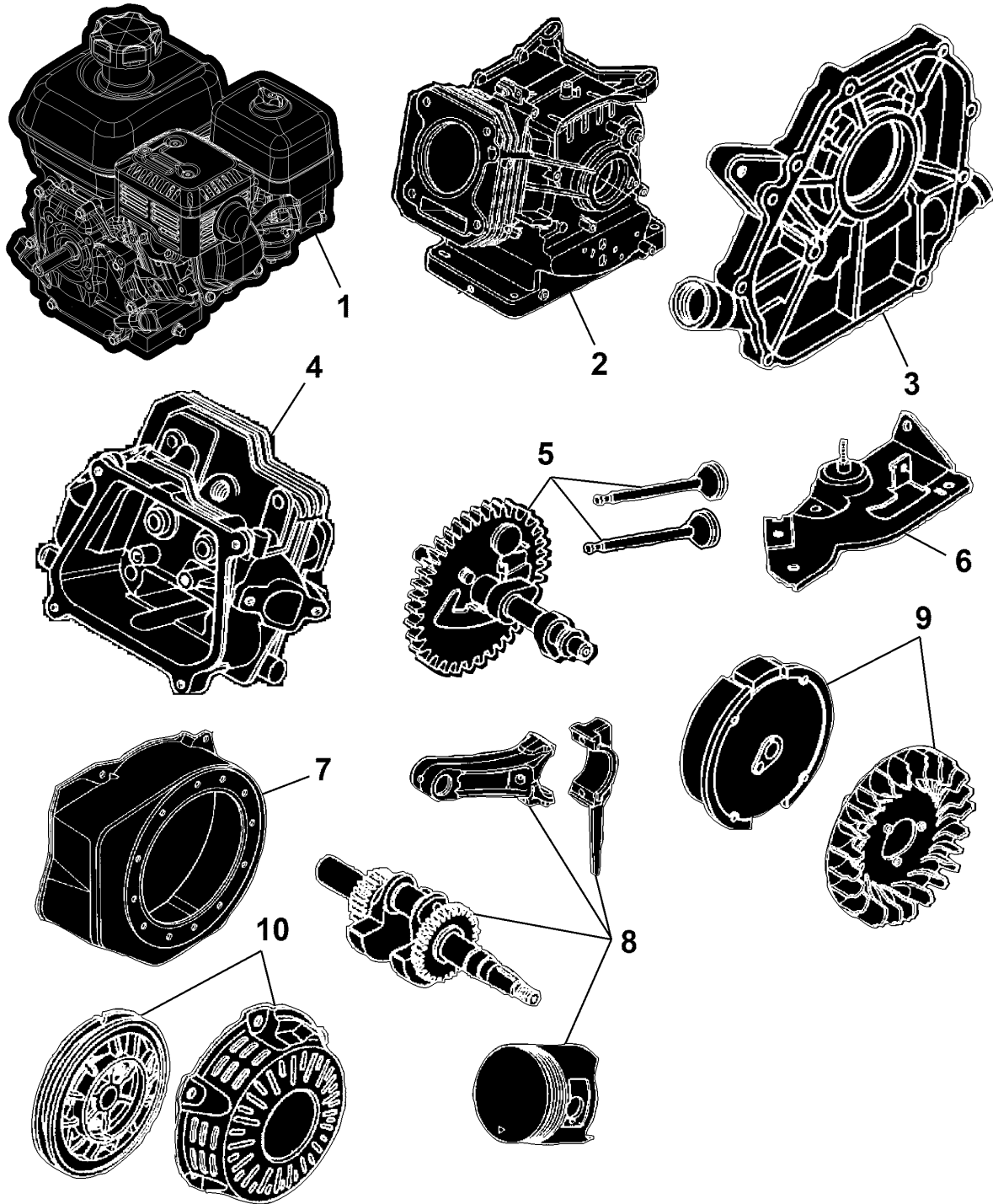
PU42242

Key	Part No.	Part Name	Qty.	Serial No.	Remarks
1	AUC16492	Recoil Starter	1		
2	MIU13870	Case	1		
3	UC24494	Reel	1		
4	UC24495	Ratchet	2		
5	MIU11130	Plate	1		Friction
6	UC24496	Guide	1		Ratchet
7	MIU11132	Spring	1		Friction
8	M128283	Spring	1		Starter
9	UC24498	Spring	2		Return
10	MIU11134	Set Screw	1		
11	MIU13872	Knob	1		
12	MIU13873	Knob	1		Reinforcement
13	M128289	Bolt	3		
14	M128286	Rope	1		

Sectional Pictorial Index
 Index d'illustrations par sections.
 Gruppenbildindex
 Indice illustrato delle sezioni
 Índice de ilustraciones por secciones
 Avsnittsbildregister

PU42422 A.1

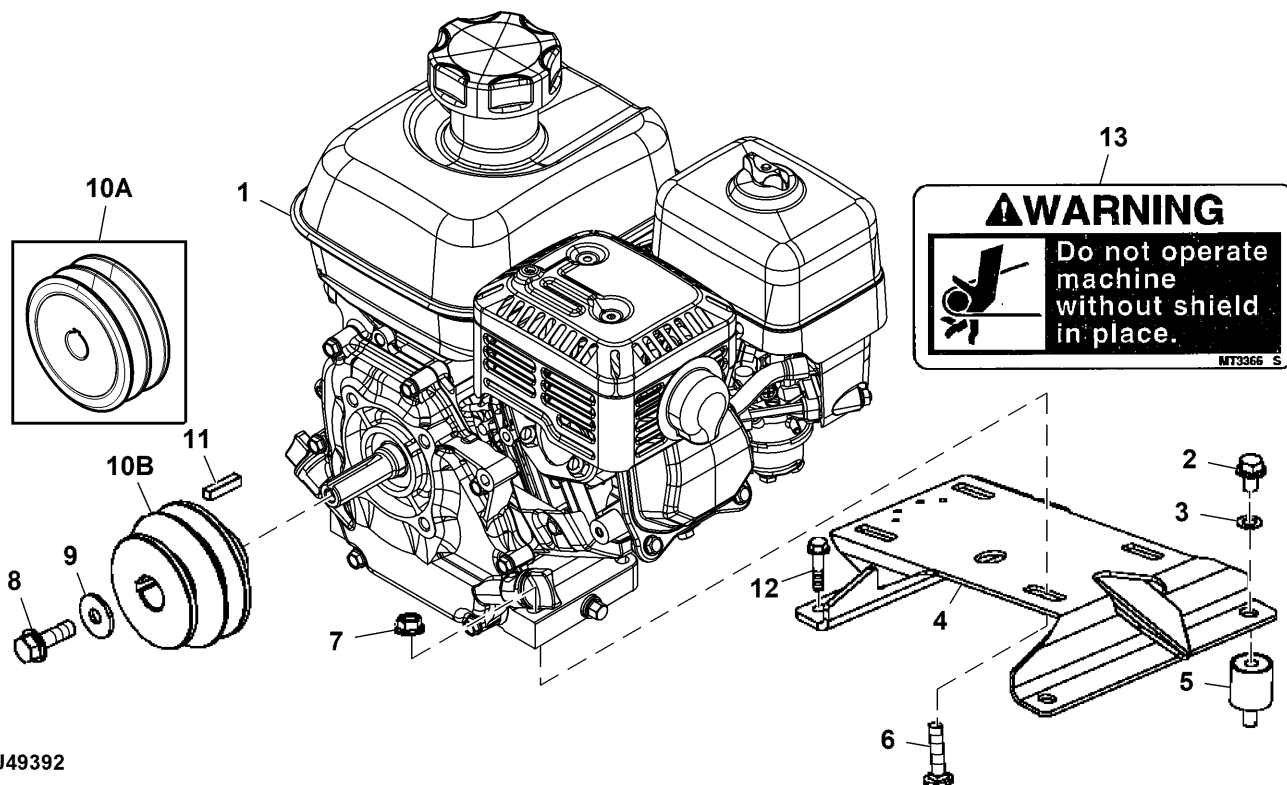
1-	66
2-	67
3-	68
4-	69
5-	70
6-	71
7-	72
8-	73
9-	74
10-	75



PU42422

Engine
Engine
Engine
Engine
Engine
Engine

PU49392 A.1



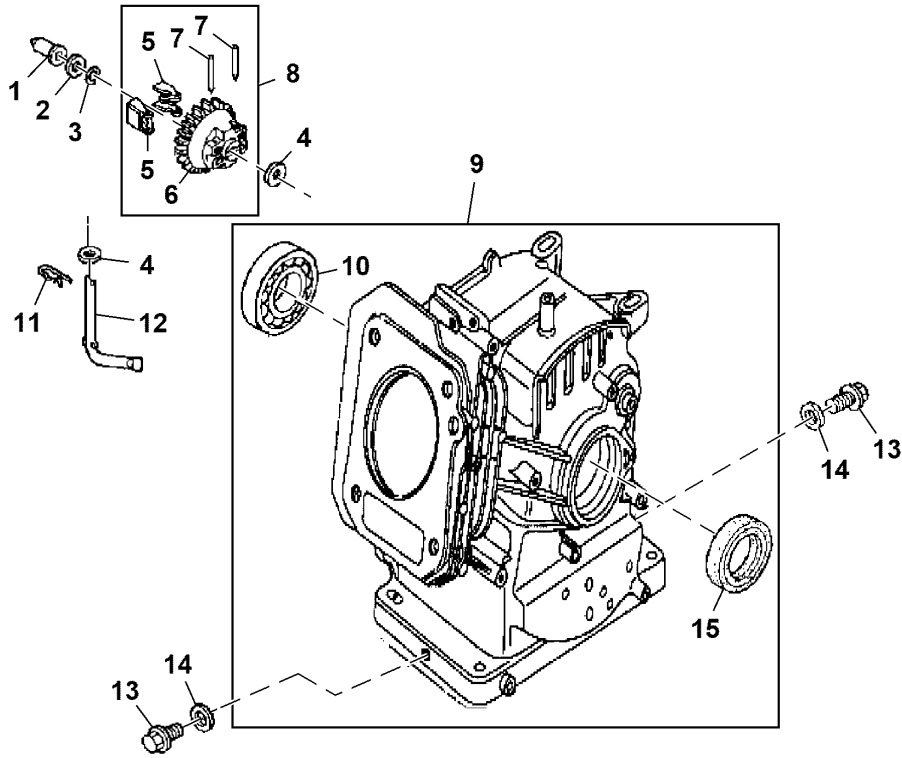
PU49392

Key	Part No.	Part Name	Qty.	Serial No.	Remarks
1	AUC14414	Gasoline Engine	1		MARKED GX120UT3-SJD2; ORDER AUC18265
	AUC18265	Gasoline Engine	1		
2	19M7864	Screw	2		M8 X 12
3	12M7032	Lock Washer	2		8.400 mm
4	AMT2839	Bracket	1		Mounting
5	MT3153	Isolator	2		
6	03M7187	Bolt	4		M8 X 35
7	E63525	Nut	4		
8	19M7867	Screw	1		M8 X 25
9	24M7207	Washer	1		8.400 X 24 X 2 mm
10A	MT7332	Pulley	1	-120000	OD = 92.50 mm
10B	MT7332	Pulley	1	120001-	OD1 = 63.5 mm, OD2 = 75.9 mm
11	49M6496	Shaft Key	1		5 X 22 mm
12	19M7866	Screw	2		M8 X 20
13	MT3366	Label	1		Warning, Shield

Cylinder Block and Governor
 Cylinder Block and Governor
 Cylinder Block and Governor
 Cylinder Block and Governor
 Cylinder Block and Governor



PU42236 A.1

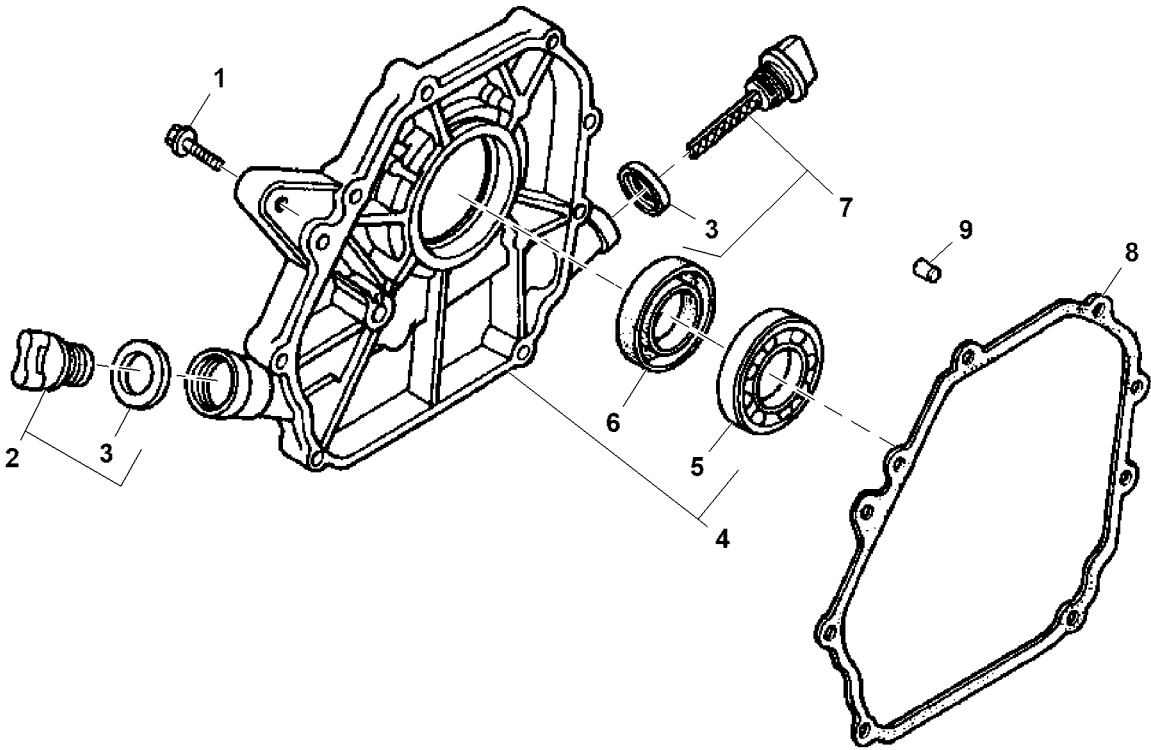


PU42236

Key	Part No.	Part Name	Qty.	Serial No.	Remarks
1	UC24484	Governor	1		Slider
2	M128217	Thrust Washer	1		
3	M128219	Snap Ring	1		
4	M134750	Washer	2		
5	UC24482	Counterweight	2		Governor Weight
6	UC24483	Holder	1		
7	M128213	Pin Fastener	2		
8	AUC16486	Governor Kit	1		
9	AUC16485	Cylinder Block	1		
10	M128220	Ball Bearing	1		
11	M128225	Spring Locking Pin	1		
12	UC24485	Rocker Arm Shaft	1		Arm
13	M128216	Bolt	2		
14	M128218	Washer	2		
15	MIU11460	Seal	1		Oil

Crankcase Cover and Dipstick
 Crankcase Cover and Dipstick
 Crankcase Cover and Dipstick
 Crankcase Cover and Dipstick
 Crankcase Cover and Dipstick

PU42043 A.1

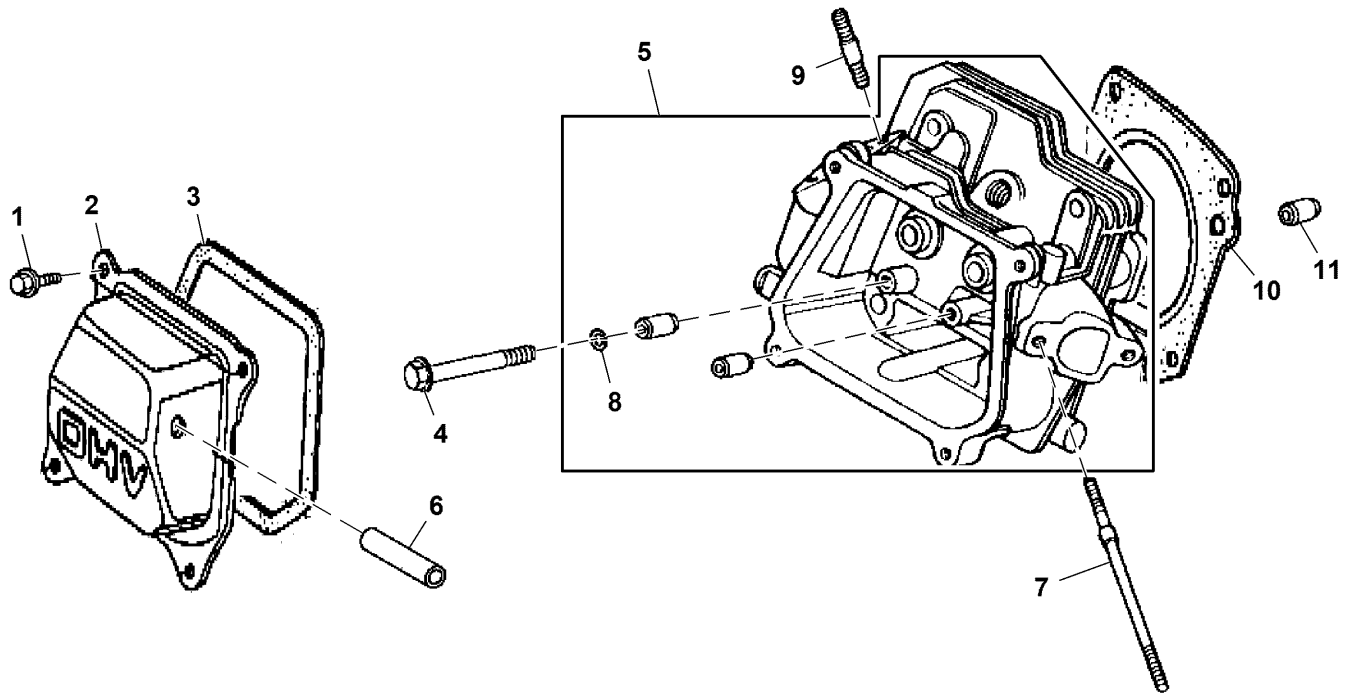


PU42043

Key	Part No.	Part Name	Qty.	Serial No.	Remarks
1	37M7104	Screw	7		M6 X 30
2	MIA11597	Filler Cap	1		
3	MIU12380	Gasket	2		Oil Filter Cap
4	MIA11043	Cover Kit	1		
5	M128220	Ball Bearing	1		
6	MIU11461	Seal	1		Crankcase
7	MIA11596	Dipstick	1		
8	M128227	Gasket	1		Case Cover
9	M128235	Dowel Pin	2		

Cylinder Head
 Cylinder Head
 Cylinder Head
 Cylinder Head
 Cylinder Head
 Cylinder Head

PU42237 A.1

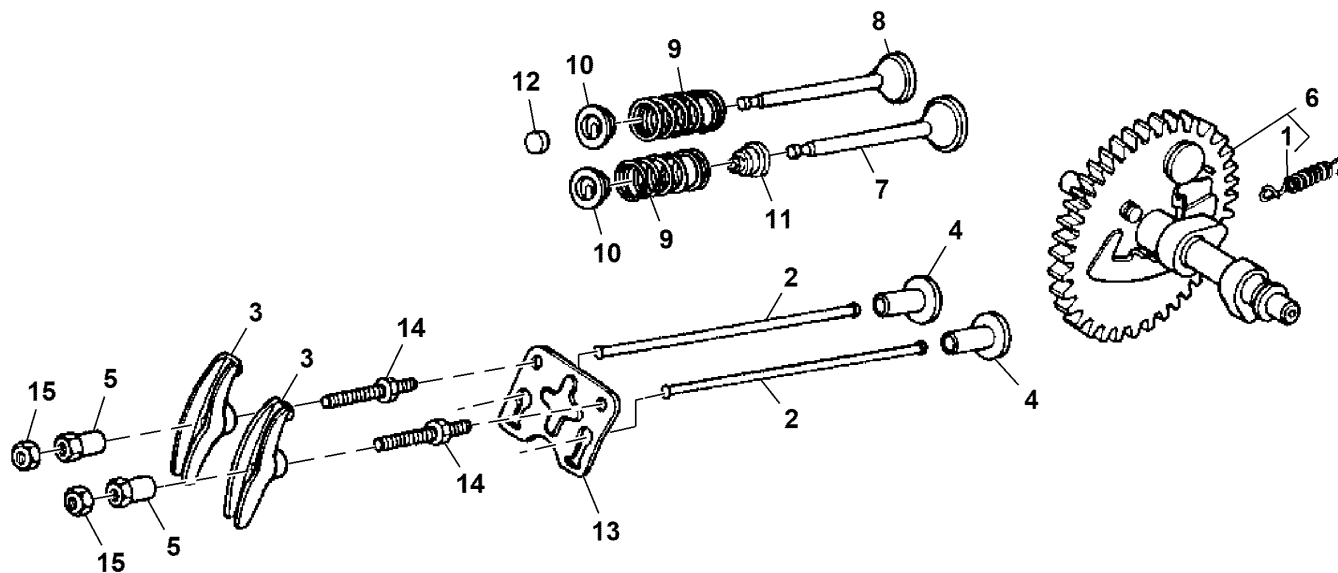


PU42237

Key	Part No.	Part Name	Qty.	Serial No.	Remarks
1	M128277	Bolt	4		
2	UC24480	Cover	1		Cylinder Head
3	M128199	Gasket	1		Cylinder Head
4	MIU13864	Bolt	4		
5	AUC16484	Cylinder Head	1		
6	M128200	Tube	1		Breather
7	MIU13863	Stud	2		
8	M128196	Snap Ring	1		
9	M128203	Stud	2		
10	UC24479	Gasket	1		Cylinder Head
11	M128204	Dowel Pin	2		

Camshaft and Valves
 Camshaft and Valves
 Camshaft and Valves
 Camshaft and Valves
 Camshaft and Valves
 Camshaft and Valves

PU42238 A.1



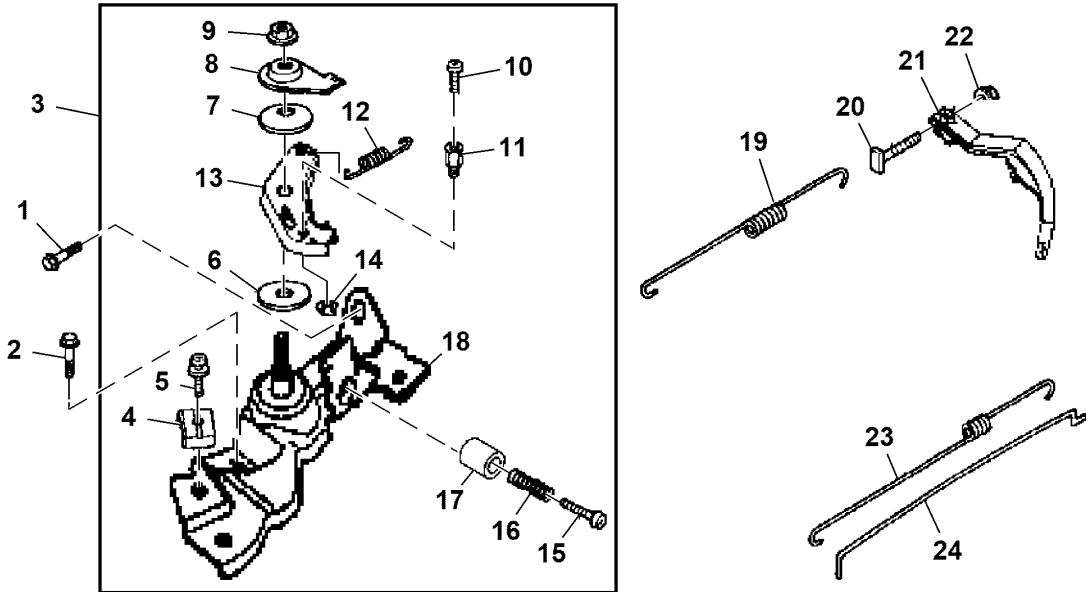
PU42238

Key	Part No.	Part Name	Qty.	Serial No.	Remarks
1	M128260	Spring	1		Weight Return
2	UC24490	Push Rod	2		
3	M128255	Arm	2		Rocker Valve
4	M128257	Valve Lifter	2		
5	UC24491	Pivot	2		Rocker Arm
6	AUC16488	Camshaft	1		
7	UC24492	Intake Valve	1		
8	MIU13867	Exhaust Valve	1		
9	M128263	Spring	2		Valve
10	UC16619	Retainer	2		
11	MIU13865	Seal	1		Valve Stem
12	M128266	Rotator	1		Valve
13	UC24493	Guide	1		Push Rod
14	M128268	Bolt	2		
15	M128269	Nut	2		

Control Lever
Control Lever
Control Lever
Control Lever
Control Lever
Control Lever



PU42239 A.1



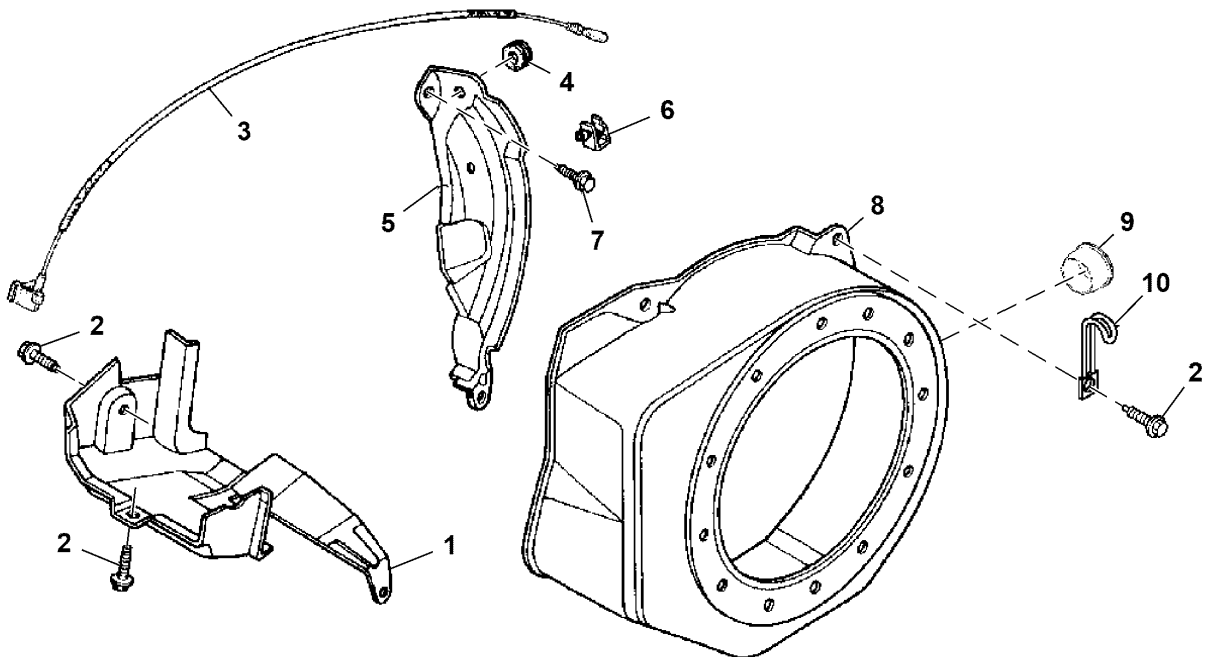
PU42239

Key	Part No.	Part Name	Qty.	Serial No.	Remarks
1	M128278	Bolt	1		
2	M128277	Bolt	1		
3	AUC16498	Control Kit	1		INCLUDES UC24511
4	M128297	Holder	1		Cable
5	M128364	Screw	1		
6	M128298	Spacer	1		
7	M128295	Spring	1		Lever
8	M128296	Washer	1		
9	M128362	Lock Nut	1		
10	M128226	Bolt	1		
11	M128222	Holder	1		
12	M128300	Spring	1		Cable Return
13	UC24514	Control Lever	1		
14	M128223	Nut	1		
15	M140215	Bolt	1		
16	M128299	Spring	1		Control Adjusting
17	M140214	Bushing	1		
18	MIU13889	Base	1		Control Governor
19	UC24512	Spring	1		Governor
20	UC24515	Bolt	1		
21	UC24511	Arm	1		Governor
22	14M7303	Flange Nut	1		M6
23	UC24513	Spring	1		Throttle Return
24	M128291	Rod	1		Governor

Engine Shroud and Fan Cover
 Engine Shroud and Fan Cover
 Engine Shroud and Fan Cover
 Engine Shroud and Fan Cover
 Engine Shroud and Fan Cover
 Engine Shroud and Fan Cover



PU42240 A.1



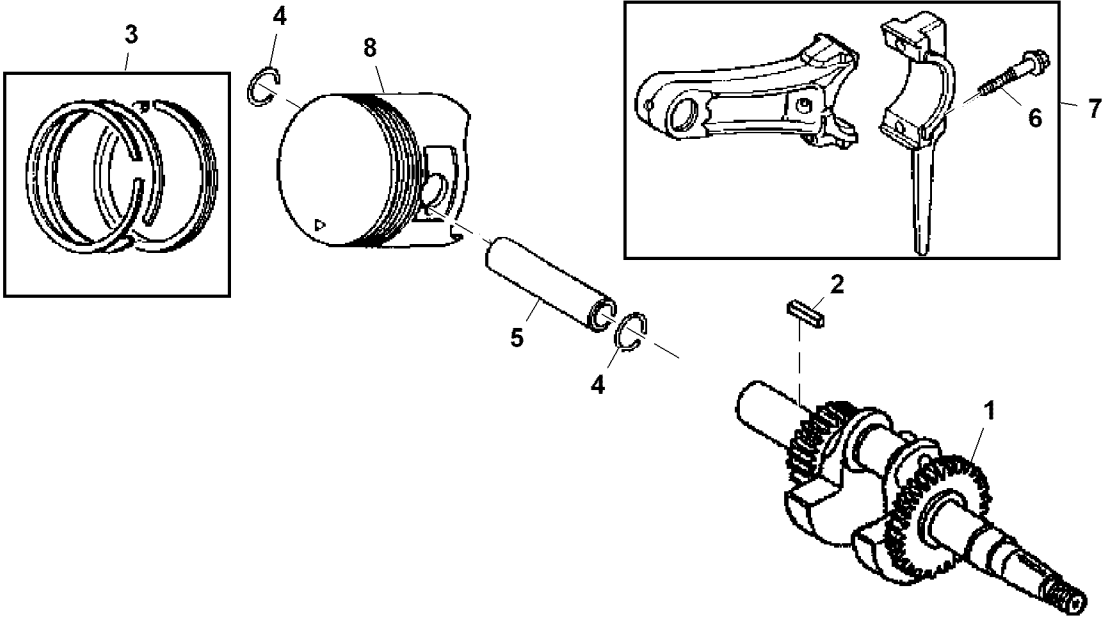
PU42240

Key	Part No.	Part Name	Qty.	Serial No.	Remarks
1	M128273	Shroud	1		
2	M128277	Bolt	6		
3	UC24510	Wire	1		Stop Switch to Ground
4	M128270	Grommet	1		
5	M128271 UC31537	Plate Plate	1 1		ORDER UC31537, Side Side
6	M128272	Clamp	1		
7	M128278	Bolt	1		
8	AM123810	Cover	1		Fan
9	99M7010	Plug	1		
10	M149301	Clamp	2		

Crankshaft, Connecting Rod and Piston
 Crankshaft, Connecting Rod and Piston
 Crankshaft, Connecting Rod and Piston
 Crankshaft, Connecting Rod and Piston
 Crankshaft, Connecting Rod and Piston



PU42047 A.1



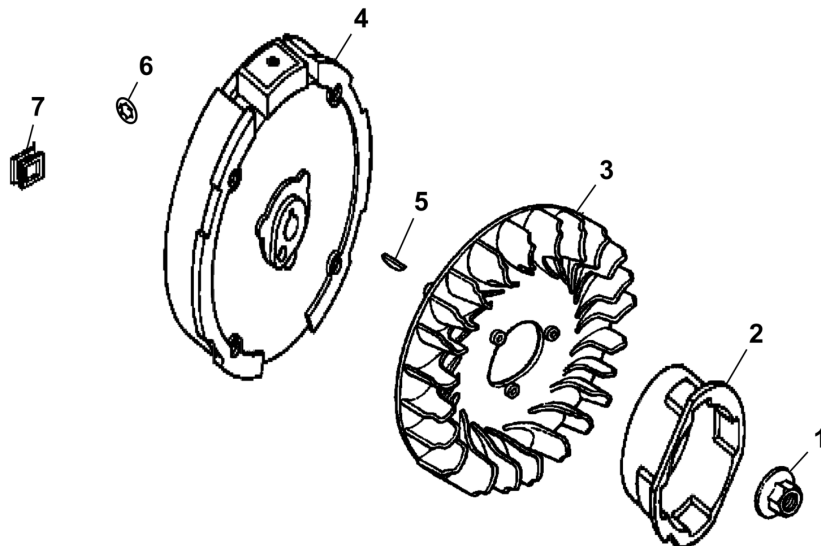
PU42047

Key	Part No.	Part Name	Qty.	Serial No.	Remarks
1	UC24486	Crankshaft	1		
2	49M6496	Shaft Key	1		5 X 22 mm
3	AUC16487	Piston Ring Kit	1		STD, Set of 3
4	M128251	Snap Ring	2		
5	M128246	Piston Pin	1		
6	M128248	Bolt	2		
7	MIA11599	Connecting Rod	1		
8	UC24489	Piston	1		STD

Flywheel and Fan
 Flywheel and Fan
 Flywheel and Fan
 Flywheel and Fan
 Flywheel and Fan
 Flywheel and Fan



PU49390 A.1

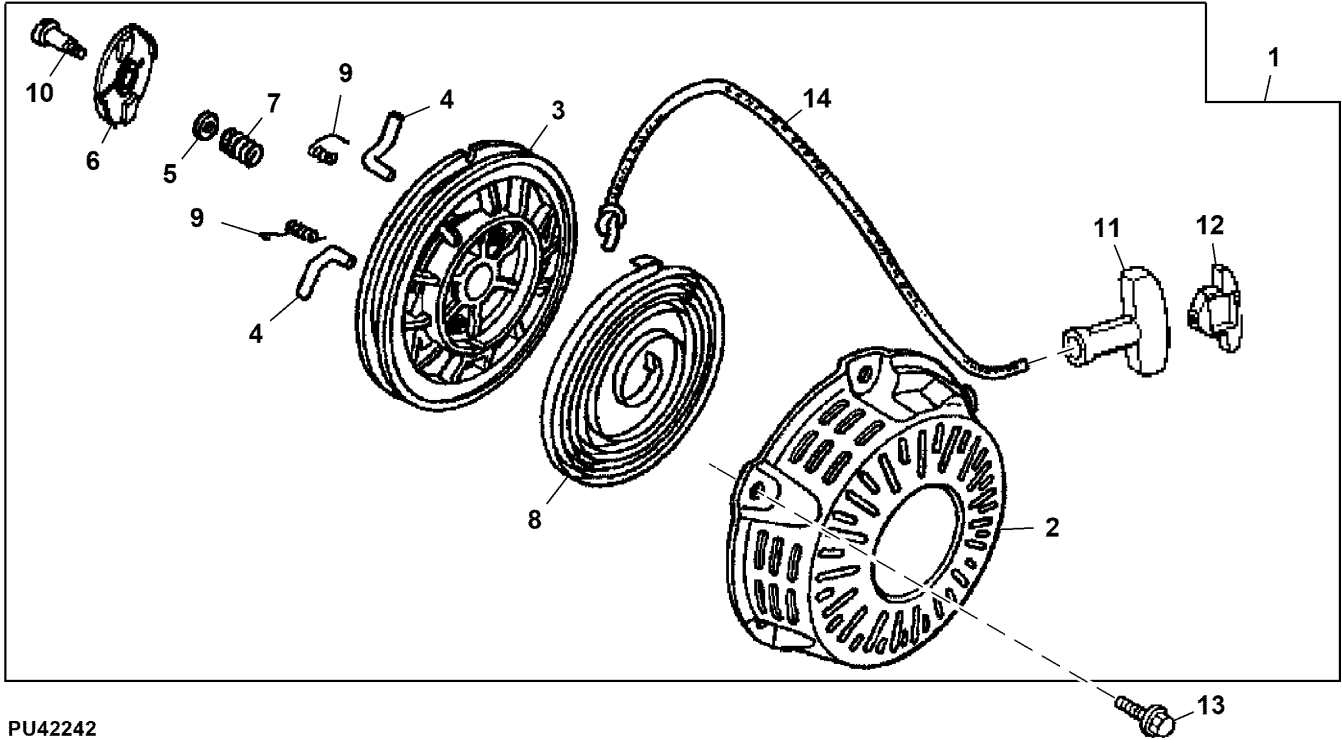


PU49390

Key	Part No.	Part Name	Qty.	Serial No.	Remarks
1	MIU12384	Nut	1		
2	UC24508	Pulley	1		Starter
3	M128237	Fan	1		Cooling
4	UC24507	Flywheel	1		
5	M128236	Shaft Key	1		
6	M131633	Clamp	1	120001-	
7	M131634	Grommet	1	120001-	
8	UC27985	Field Winding Coil	2	120001-	Not Illustrated

Recoil Starter
 Recoil Starter
 Recoil Starter
 Recoil Starter
 Recoil Starter
 Recoil Starter

PU42242 A.1



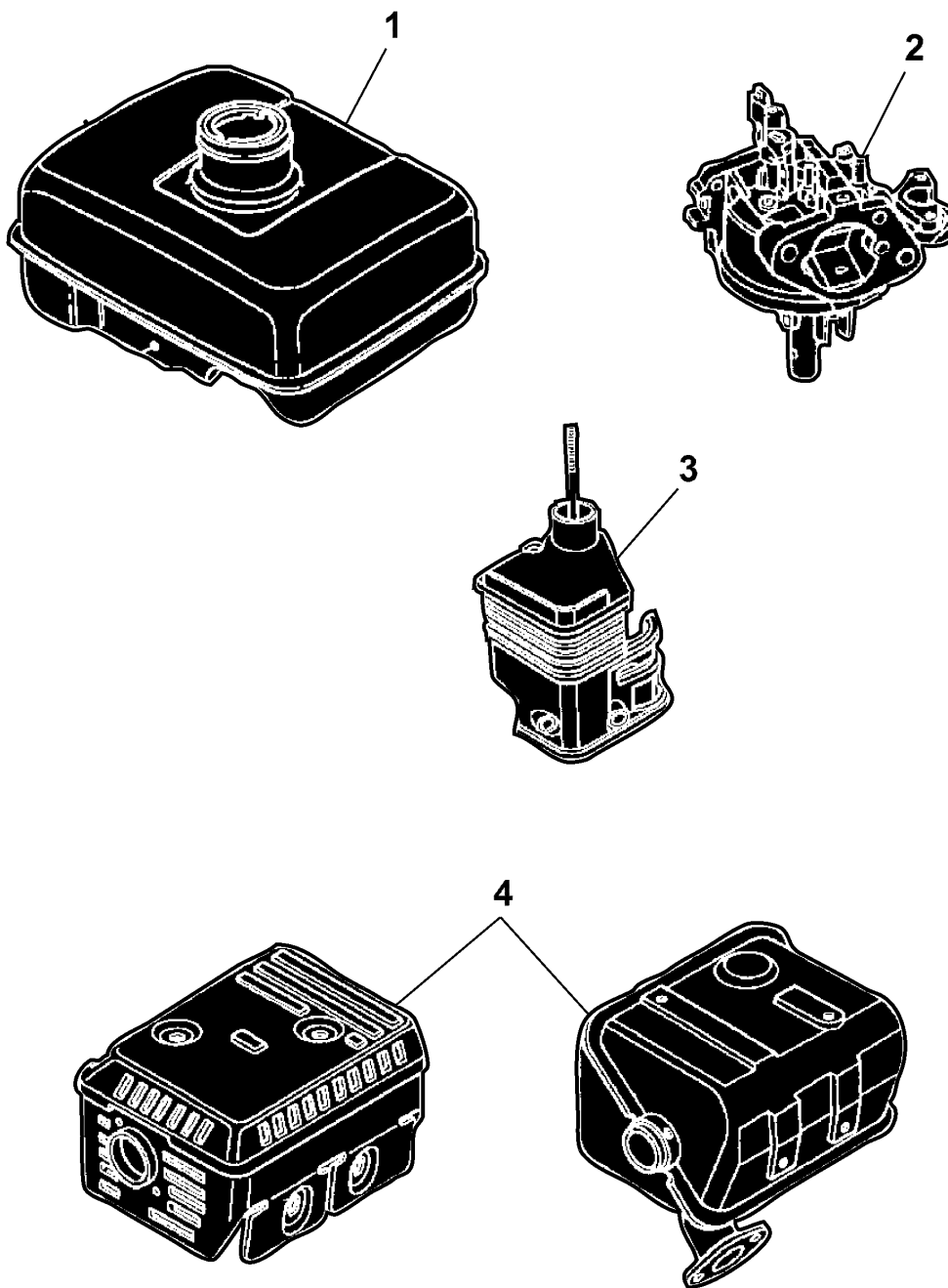
PU42242

Key	Part No.	Part Name	Qty.	Serial No.	Remarks
1	AUC16492	Recoil Starter	1		
2	MIU13870	Case	1		
3	UC24494	Reel	1		
4	UC24495	Ratchet	2		
5	MIU11130	Plate	1		Friction Ratchet
6	UC24496	Guide	1		
7	MIU11132	Spring	1		Friction Starter
8	M128283	Spring	1		Return
9	UC24498	Spring	2		
10	MIU11134	Set Screw	1		
11	MIU13872	Knob	1		
12	MIU13873	Knob	1		Reinforcement
13	M128289	Bolt	3		
14	M128286	Rope	1		

Sectional Pictorial Index
 Index d'illustrations par sections.
 Gruppenbildindex
 Índice ilustrato delle sezioni
 Índice de ilustraciones por secciones
 Avsnittsbildregister

PU25921 A.1

1-	78
1-	79
2-	80
2-	82
3-	84
3-	85
4-	86
4-	87

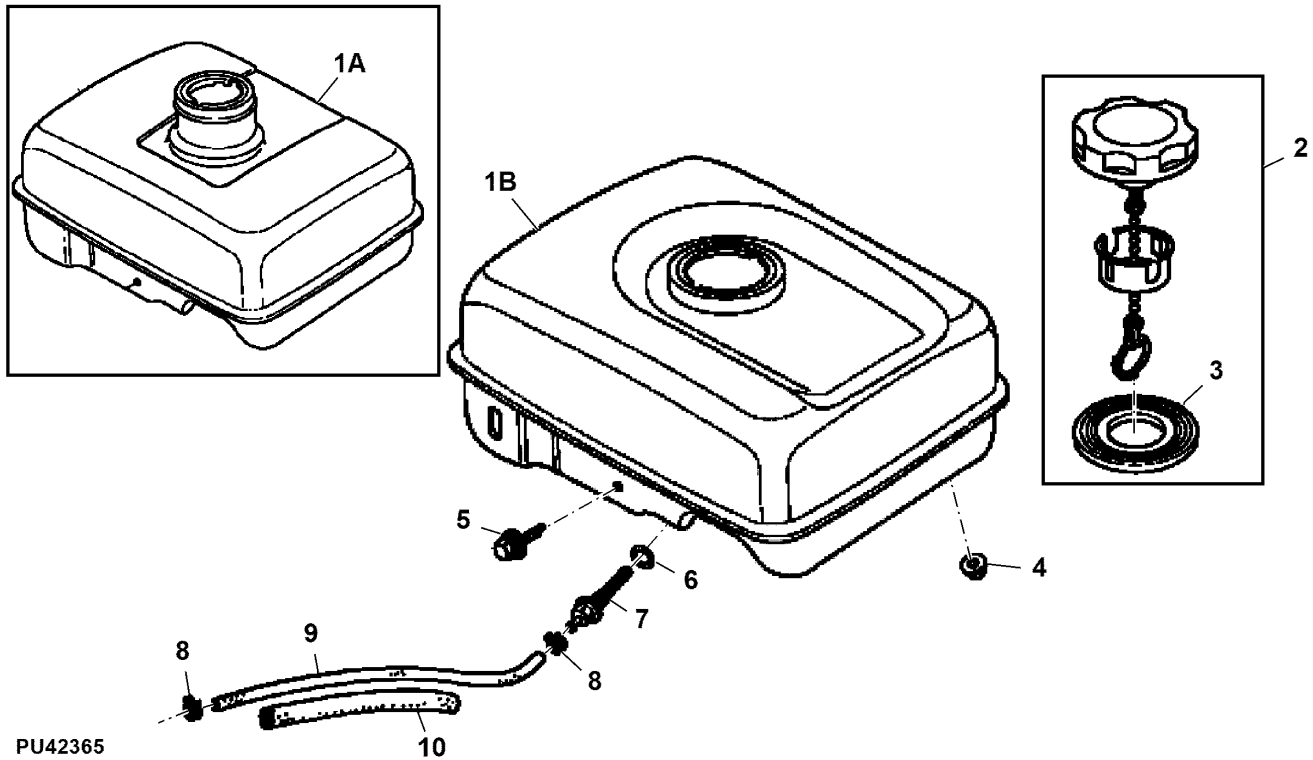


PU25921

Fuel Tank
 Fuel Tank
 Fuel Tank
 Fuel Tank
 Fuel Tank
 Fuel Tank



PU42365 A.1

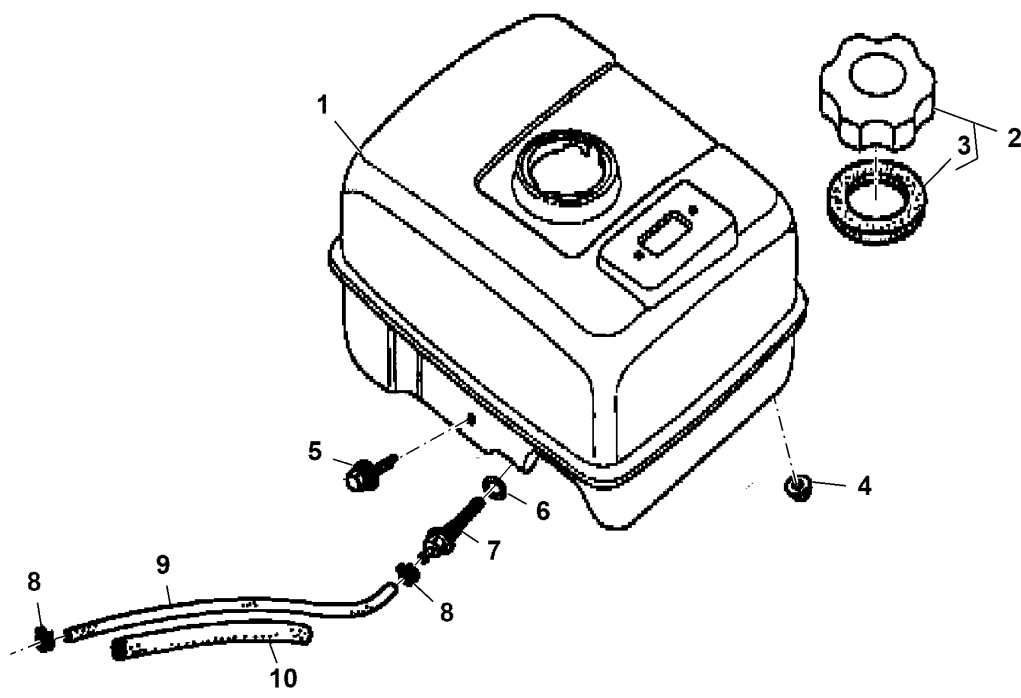


Key	Part No.	Part Name	Qty.	Serial No.	Remarks
1A	AM124482	Fuel Tank	1	-030000	Black
1B	MIU13887	Fuel Tank	1	030001-	Black
2	MIA11602	Cap Kit	1		SUB FOR MIA12400, Fuel Filler
3	MIU11467	Gasket	1		Fuel Filler Cap
4	14M7303	Flange Nut	2		M6
5	19M7863	Screw	1		M6 X 25
6	M128344	O-Ring	1		
7	M128336	Fitting	1	-110000	
	UC24506	Fitting	1	110001-	
8	MIU11107	Clamp	2		
9	MIU12383	Tube	1		Fuel Tank to Carburetor
10	M128335	Sleeve	1		

Fuel Tank (For China)
 Fuel Tank (For China)
 Fuel Tank (For China)
 Fuel Tank (For China)
 Fuel Tank (For China)
 Fuel Tank (For China)



PU42243 A.1

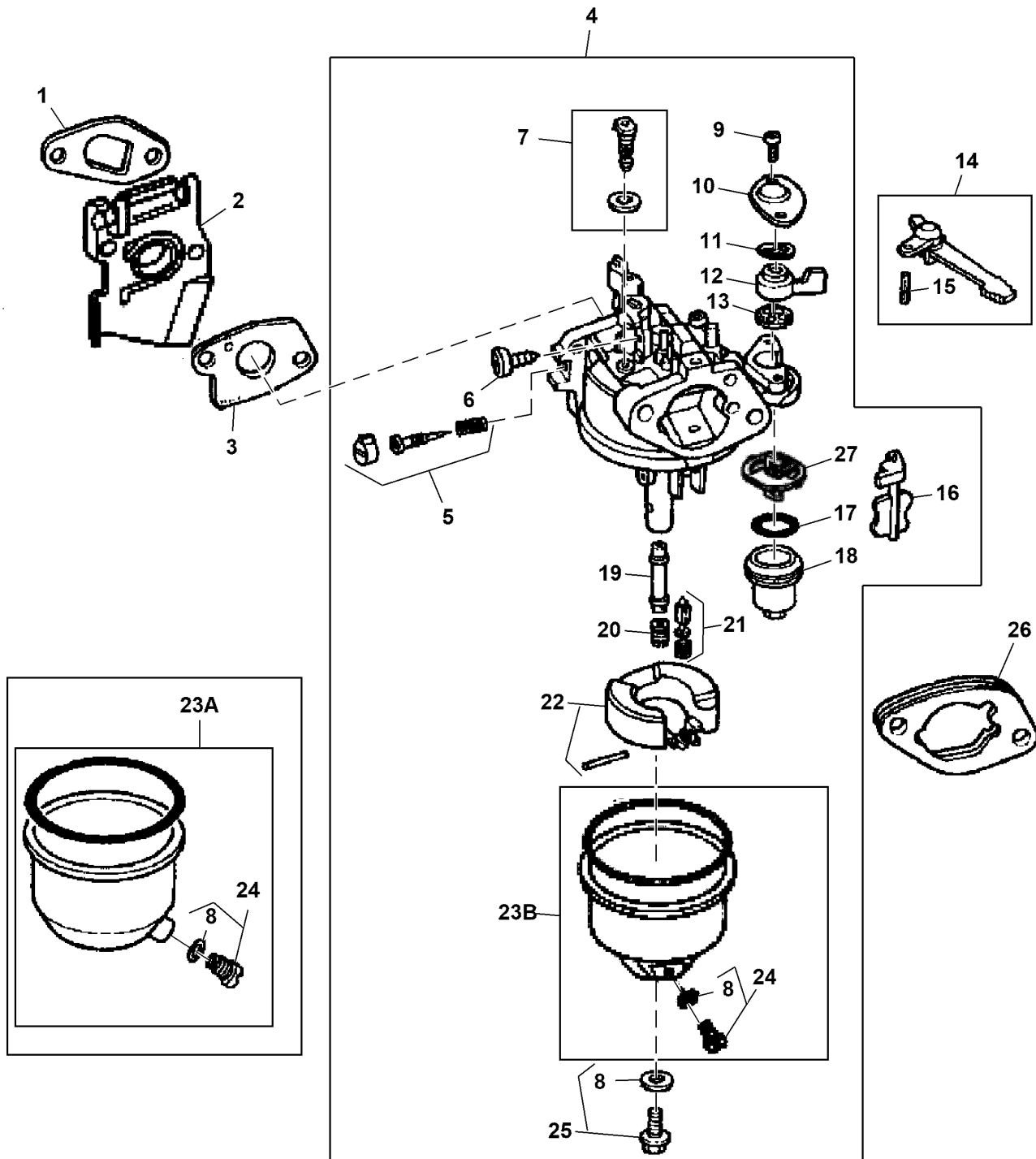


PU42243

Key	Part No.	Part Name	Qty.	Serial No.	Remarks
1	MIU13887	Fuel Tank	1		Black
2	AUC17021	Cap Kit	1		
3	MIU11467	Gasket	1		Fuel Filler Cap
4	14M7303	Flange Nut	2		M6
5	19M7863	Screw	1		M6 X 25
6	M128344	O-Ring	2		
7	UC24506	Fitting	1		
8	M128347	Clip	2		
9	MIU12383	Tube	1		Fuel Tank to Carburetor
10	M128335	Sleeve	1		

Carburetor Kit
Carburetor Kit
Carburetor Kit
Carburetor Kit
Carburetor Kit
Carburetor Kit

PU42382 A.1

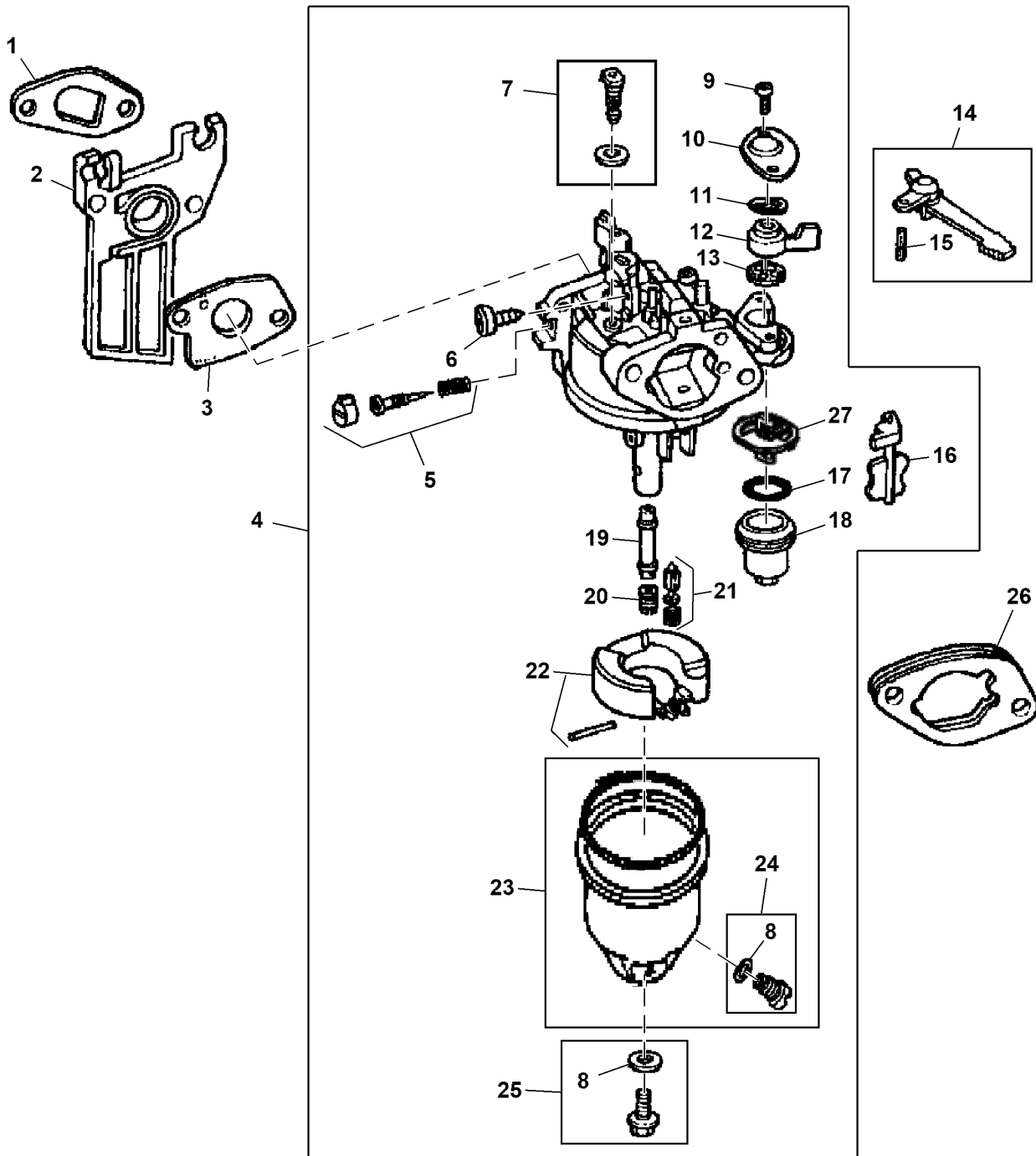


PU42382

Key	Part No.	Part Name	Qty.	Serial No.	Remarks
1	M128306	Gasket	1		Insulator
2	M128305	Insulator	1		
3	M128308	Gasket	1		Carburetor
4	MIA11601	Carburetor Kit	1	-030000	
	MIA12398	Carburetor Kit	1	030001-110000	
	AUC16494	Carburetor Kit	1	110001-	
5	AM123820	Kit	1	-110000	Screw Set
	AUC16493	Kit	1	110001-	Screw Set
6	M128302	Bolt	1		
7	AM123826	Jet Kit	1	-110000	
	AUC16495	Jet Kit	1	110001-	
8	AM130537	Gasket	2	-110000	
	UC24501	Gasket	2	110001-	
9	M128314	Screw	2		
10	M128310	Plate	1		Lever Setting
11	M128311	Spring	1		
12	M128309	Lever	1		
13	M128312	Gasket	1		Fuel Shutoff
14	AM123825	Lever	1		Choke
15	M128315	Spring Pin	1		
16	AM123823	Restrictor Kit	1		Choke
17	M128304	Gasket	1		Fuel Strainer
18	M128313	Sediment Bowl	1		
19	MIU13877	Nozzle	1	-110000	SUB FOR M128303, Main
	UC24499	Nozzle	1	110001-	Main
20	M128316	Jet	1	-110000	Above 6000 feet, High Altitude
	UC24500	Jet	1	110001-	Above 6000 feet, High Altitude
	M128318	Jet	1	-030000	Below 3000 feet, STD Altitude
	MIU13878	Jet	1	030001-	Below 3000 feet, STD Altitude
	M128317	Jet	1		3000 to 6000 feet, Intermediate Altitude
21	AM123817	Valve Kit	1		Float
22	MIA11600	Float Kit	1		
23A	AM123819	Chamber Kit	1	-030000	Set Float
23B	MIU13874	Chamber Kit	1	030001-	Set Float
24	AM123821	Hardware Kit	1	-030000	
	MIU13875	Hardware Kit	1	030001-	
25	MIU13876	Set Screw	1		
26	M128307	Spacer	1		Carburetor
27	MIU13879	Filter	1	030001-	
28	AM123822	Hardware Kit	1		INCLUDES AM130537, Not Illustrated
29	AM123816	Gasket Kit	1		INCLUDES AM123819, AM123821, AM123822, AM123826, M128304 AND M128312, Not Illustrated

Carburetor Kit (For China)
 Carburetor Kit (For China)
 Carburetor Kit (For China)
 Carburetor Kit (For China)
 Carburetor Kit (For China)
 Carburetor Kit (For China)

PU42244 A.1

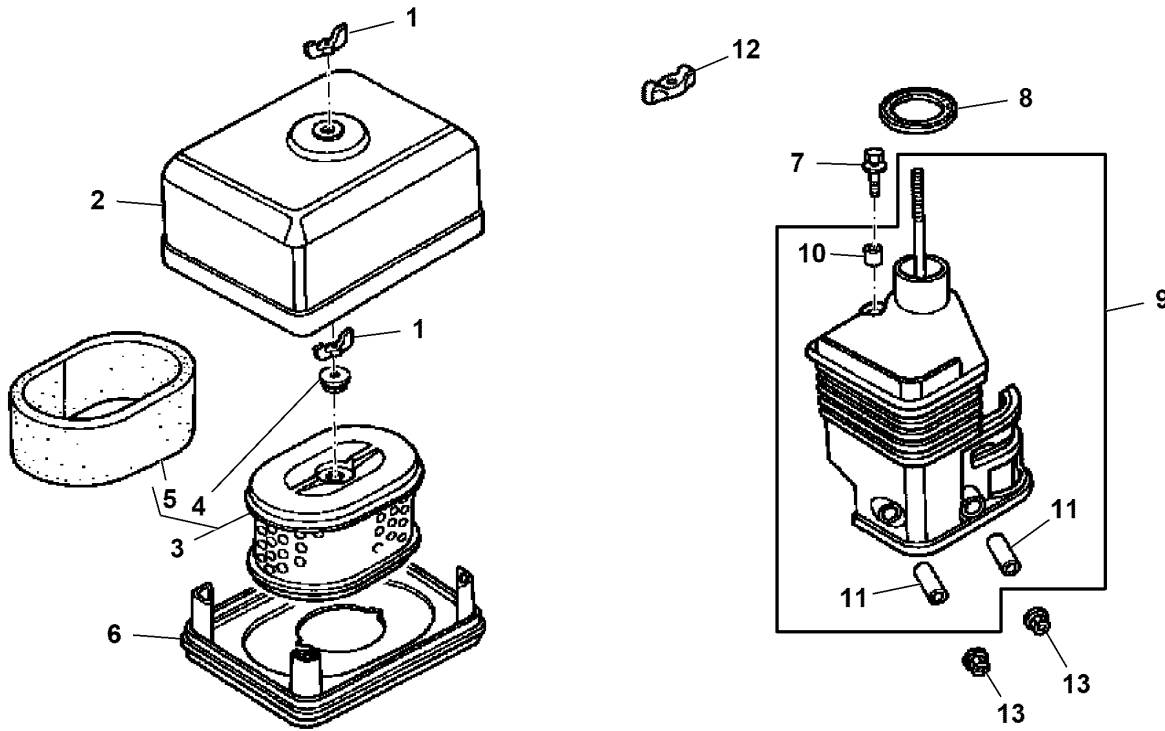


PU42244

Key	Part No.	Part Name	Qty.	Serial No.	Remarks
1	M128306	Gasket	1		Insulator
2	M128305	Insulator	1		
3	M128308	Gasket	1		Carburetor
4	AUC17004	Carburetor Kit	1		INCLUDES UC24500
5	AUC17006	Kit	1		Screw Set
6	M128302	Bolt	1		
7	AUC17005	Jet Kit	1		
8	UC24501	Washer	2		
9	M128314	Screw	2		
10	M128310	Plate	1		Lever Setting
11	M128311	Spring	1		
12	M128309	Lever	1		
13	M128312	Gasket	1		Fuel Shutoff
14	AM123825	Lever Kit	1		Choke
15	M128315	Spring Pin	1		
16	AM123823	Restrictor Kit	1		Choke
17	M128304	O-Ring	1		Fuel Strainer
18	M128313	Sediment Bowl	1		
19	UC25860	Nozzle	1		Main
20	M128316	Jet	1		Above 6000 feet, High Altitude
	M128317	Jet	1		3000 to 6000 feet, Intermediate Altitude
	MIU13878	Jet	1		Below 3000 feet, STD Altitude
21	AM123817	Valve Kit	1		Float
22	MIA11600	Float Kit	1		
23	MIU13874	Chamber Kit	1		Set Float
24	MIU13875	Hardware Kit	1		
25	MIU13876	Set Screw	1		INCLUDES AM123816
26	M128307	Gasket	1		Carburetor
27	MIU13879	Filter	1		
28	AM123816	Gasket Kit	1		INCLUDES AM123819, AM123821, AM123822, AM123826, AM130537, M128304 AND M128312, Not Illustrated
29	AM123819	Chamber Kit	1		Not Illustrated
30	AM123821	Hardware Kit	1		Not Illustrated
31	AM123822	Hardware Kit	1		Not Illustrated
32	AM130537	Gasket Kit	1		Not Illustrated
33	AM123826	Jet Kit	1		Not Illustrated
34	UC24500	Jet	1		Not Illustrated

Air Cleaner
 Air Cleaner
 Air Cleaner
 Air Cleaner
 Air Cleaner
 Air Cleaner

PU42186 A.1



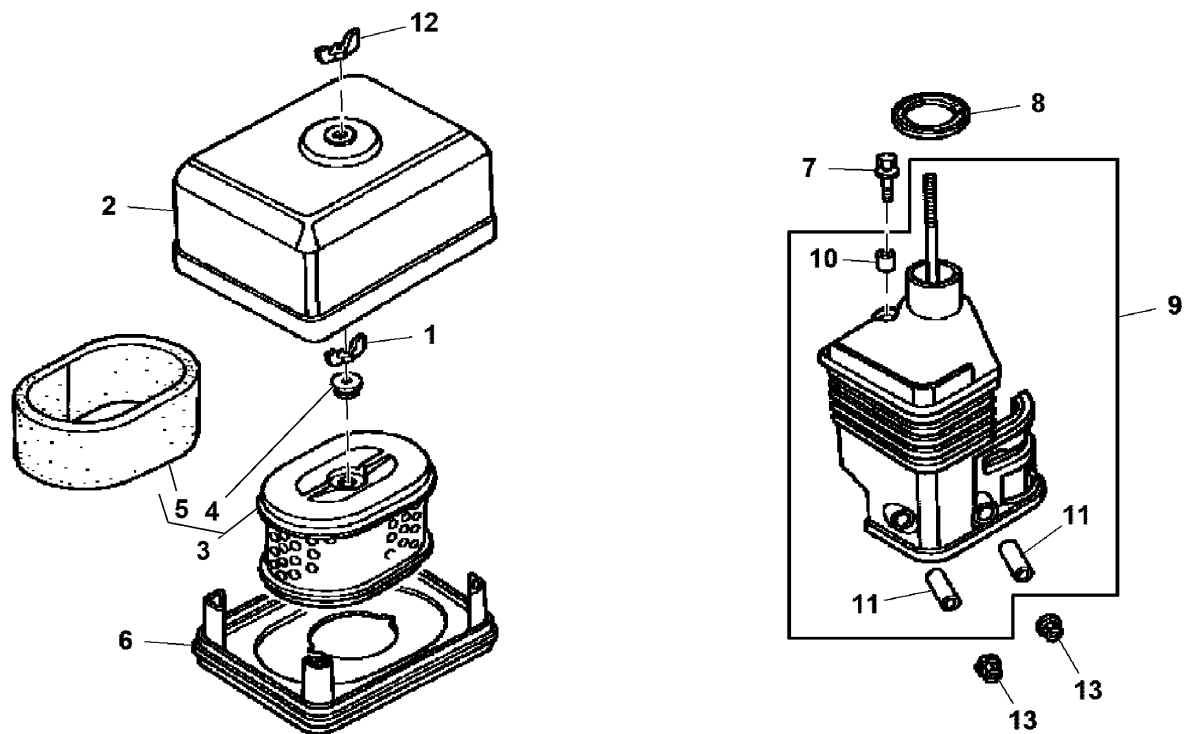
PU42186

Key	Part No.	Part Name	Qty.	Serial No.	Remarks
1	M128329	Nut	2	-110000	
	M128329	Nut	1	110001-	
2	M128322	Cover	1	-030000	
	MIU13880	Cover	1	030001-110000	
	UC24503	Cover	1	110001-	
3	AM123909	Filter Element	1	-110000	INCLUDES MIU11464; Dual Air
	AUC16496	Filter Element	1	110001-	INCLUDES UC24502; Dual Air
4	M128323	Grommet	1		
5	MIU11464	Air Filter	1	-110000	Outer
	UC24502	Air Filter	1	110001-	Outer
6	M147905	Base	1	-030000	Muffler
	MIU13881	Base	1	030001-	Muffler
7	MIU11465	Bolt	1		
8	M128319	Gasket	1		
9	AM123828	Air Cleaner	1	-030000	
	AUC17002	Air Cleaner	1	030001-110000	SUB FOR MIA12399
	AUC16497	Air Cleaner	1	110001-	
10	M128325	Bushing	1		
11	M128324	Locking Collar	2		USE WITH AM123828
	MIU13882	Locking Collar	2		USE WITH MIA12399 OR AUC16497 OR AUC17002
12	MIU13883	Wing Nut	1	030001-110000	
	UC24504	Wing Nut	1	110001-	
13	14M7303	Flange Nut	2		M6

Air Cleaner (For China)
 Air Cleaner (For China)
 Air Cleaner (For China)
 Air Cleaner (For China)
 Air Cleaner (For China)
 Air Cleaner (For China)



PU42245 A.1



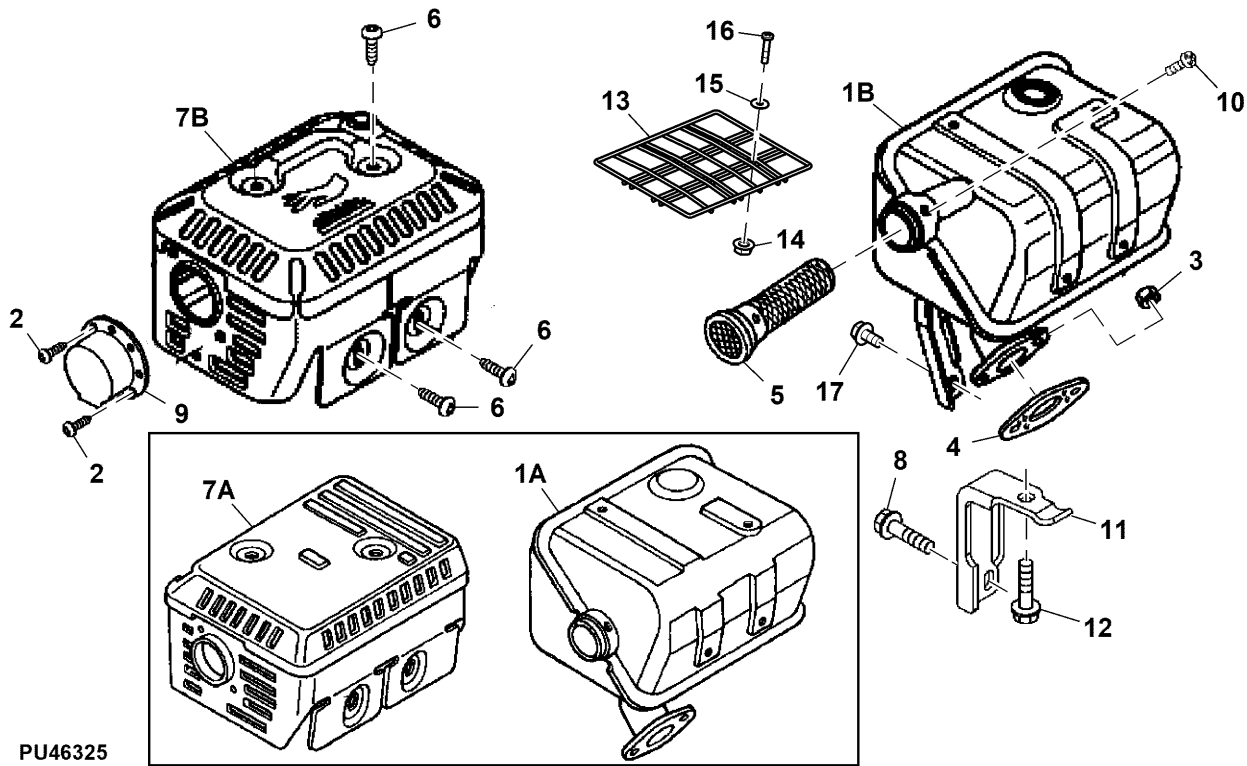
PU42245

Key	Part No.	Part Name	Qty.	Serial No.	Remarks
1	M128329	Nut	1		
2	UC24503	Cover	1		Air Cleaner
3	AUC16496	Air Cleaner Kit	1		INCLUDES UC24502, Dual Air
4	M128323	Grommet	1		
5	UC24502	Filter Element	1		Outer
6	MIU13881	Base	1		Muffler
7	MIU11465	Bolt	1		
8	M128319	Seal	1		
9	AUC16497	Air Cleaner	1		
10	M128325	Bushing	1		
11	MIU13882	Locking Collar	2		
12	UC24504	Nut	1		
13	14M7303	Flange Nut	2	M6	

Muffler
Muffler
Muffler
Muffler
Muffler
Muffler



PU46325 A.1



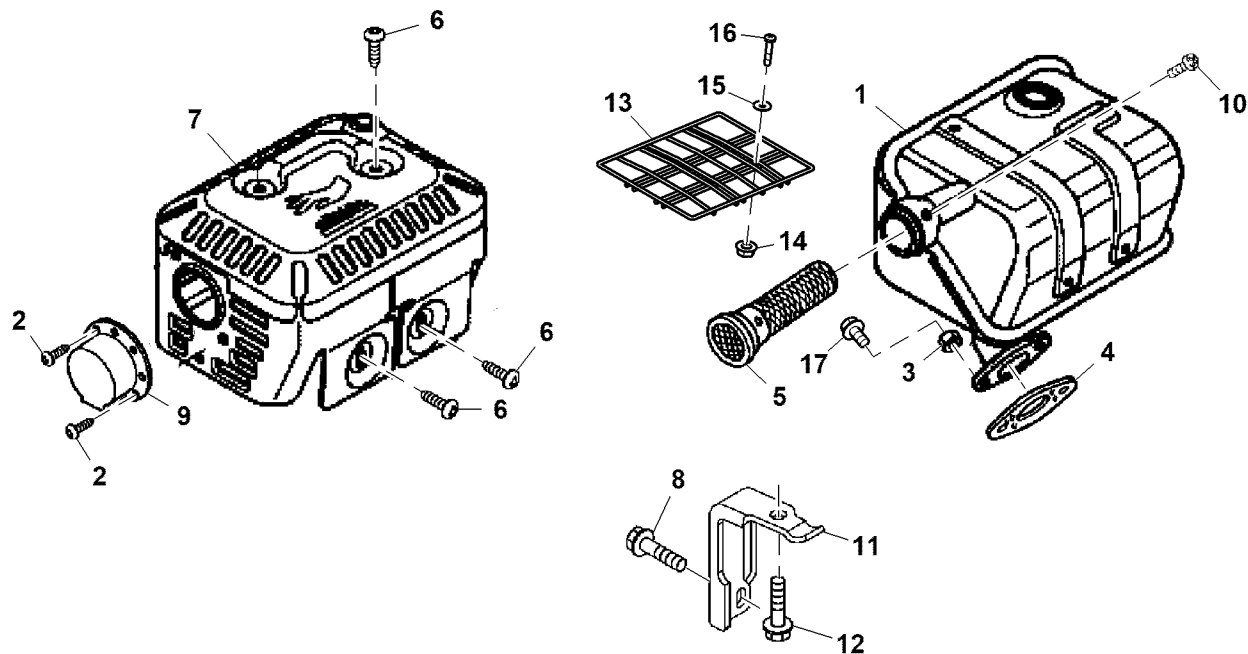
PU46325

Key	Part No.	Part Name	Qty.	Serial No.	Remarks
1A	AM132471	Muffler	1	-030000	
1B	MIU13884	Muffler	1	030001-	
2	M143618	Screw	2		
3	14M7273	Nut	2		M8
4	MIU12382	Gasket	1		Muffler
5	M147855	Arrestor	1	-030000	Spark
	MIU13886	Arrestor	1	030001-	Spark
6	M128333	Screw	4		
7A	M147853	Heat Shield	1	-030000	Muffler
7B	MIU13885	Heat Shield	1	030001-	Muffler
8	37M7457	Screw	1		M6 X 16
9	M147854	Deflector	1		
10	MIU11466	Screw	1		
11	M147852	Bracket	1		
12	19M7774	Screw	1		M6 X 12
13	TCA24475	Guard	1	040001-	SUB FOR TCU36128, Muffler
14	E63525	Nut	2		
15	24M7138	Washer	2		5.300 X 15 X 1 mm
16	21M7485	Screw	2		M5 X 25
17	37M7090	Screw	1	030001-	M6 X 16

Muffler (For China)
 Muffler (For China)
 Muffler (For China)
 Muffler (For China)
 Muffler (For China)
 Muffler (For China)



PU48550 A.1



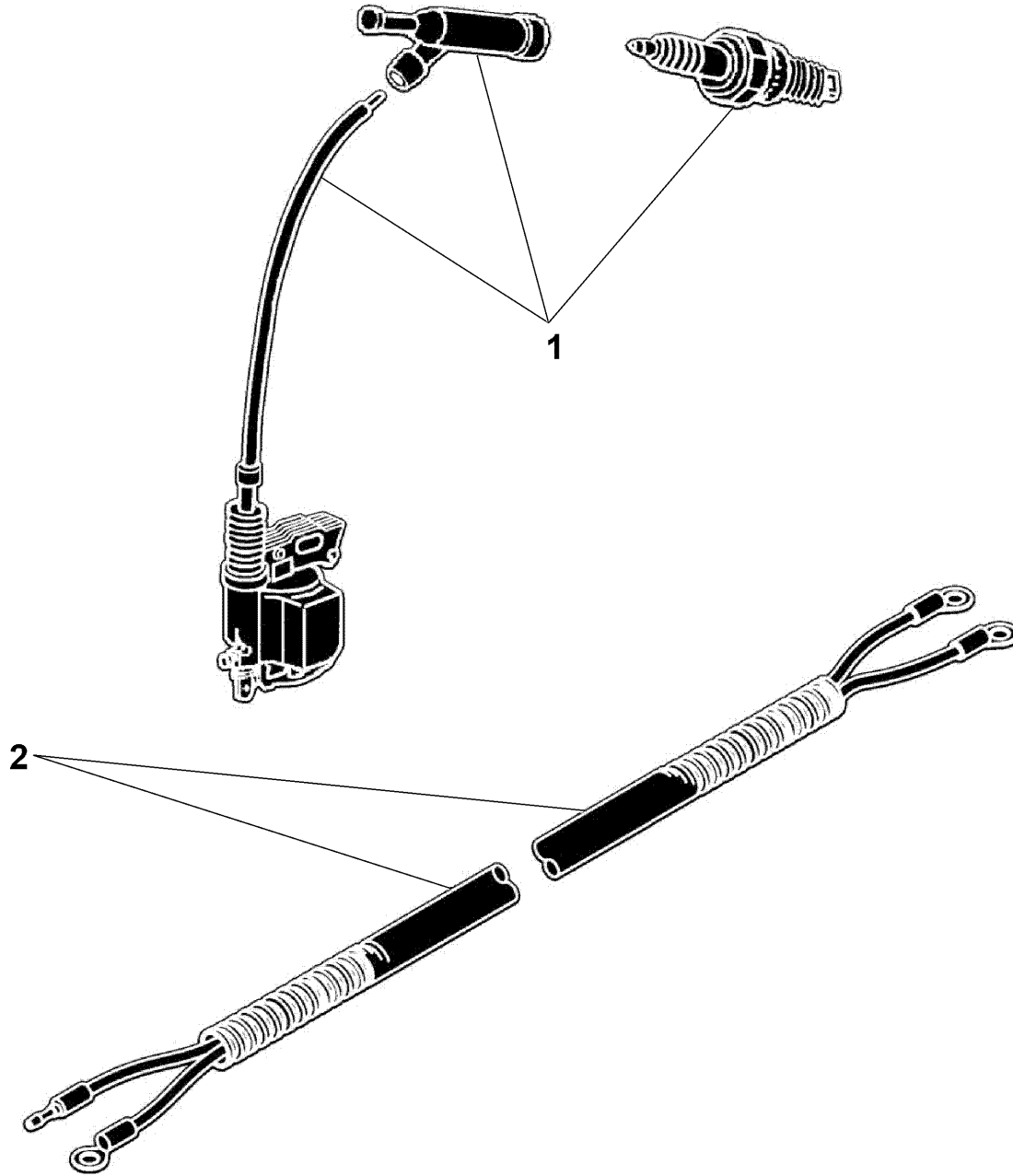
PU48550

Key	Part No.	Part Name	Qty.	Serial No.	Remarks
1	MIU13884	Muffler	1		
2	M143618	Screw	2		
3	14M7273	Nut	2		M8
4	MIU12382	Gasket	1		Muffler
5	MIU13886	Arrestor	1		Spark
6	M128333	Screw	4		
7	MIU13885	Heat Shield	1		Muffler
8	37M7457	Screw	1		M6 X 16
9	M147854	Deflector	1		
10	MIU11466	Screw	1		
11	M147852	Bracket	1		
12	19M7774	Screw	1		M6 X 12
13	TCA24475	Guard	1		Muffler
14	E63525	Nut	2		
15	24M7138	Washer	2		5.300 X 15 X 1 mm
16	21M7485	Screw	2		M5 X 25
17	37M7090	Screw	1		M6 X 16

Sectional Pictorial Index
Index d'illustrations par sections.
Gruppenbildindex
Indice illustrato delle sezioni
Índice de ilustraciones por secciones
Avsnittsbildregister

PU42184 A.1

1-	90
2-	91
2-	92

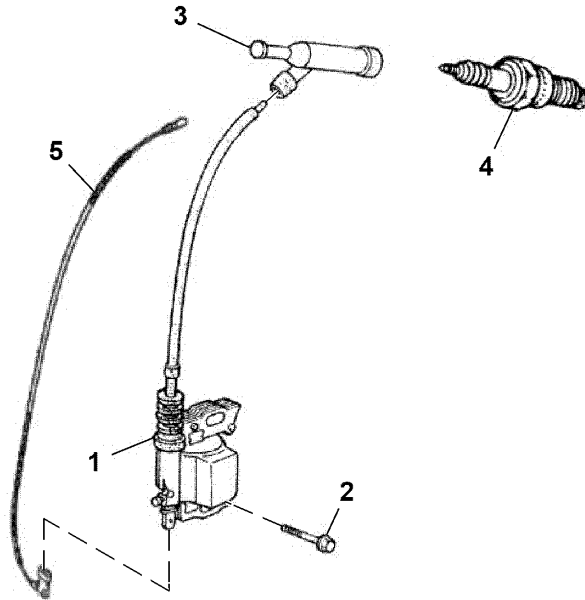


PU42184

Ignition Coil and Spark Plug
 Ignition Coil and Spark Plug
 Ignition Coil and Spark Plug
 Ignition Coil and Spark Plug
 Ignition Coil and Spark Plug



PU42233 A.1

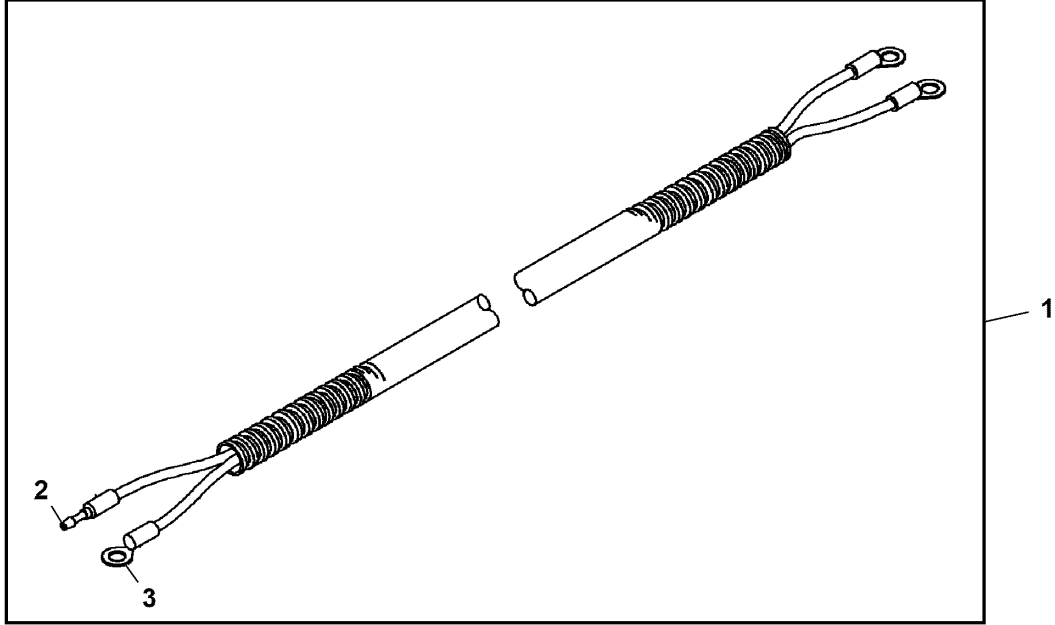


PU42233

Key	Part No.	Part Name	Qty.	Serial No.	Remarks
1	MIA11603	Electrical Coil	1	-110000 110001-	Ignition Ignition
	AUC16491	Electrical Coil	1		
2	M128240	Bolt	2		
3	MIA11604	Cap	1		
4	M128206	Spark Plug	1		
5	M128275	Wire	1		Stop Switch to Ground

Engine Wiring Harness (- 120000)
 Engine Wiring Harness (- 120000)
 Engine Wiring Harness (- 120000)
 Engine Wiring Harness (- 120000)
 Engine Wiring Harness (- 120000)
 Engine Wiring Harness (- 120000)

PU42234 A.1



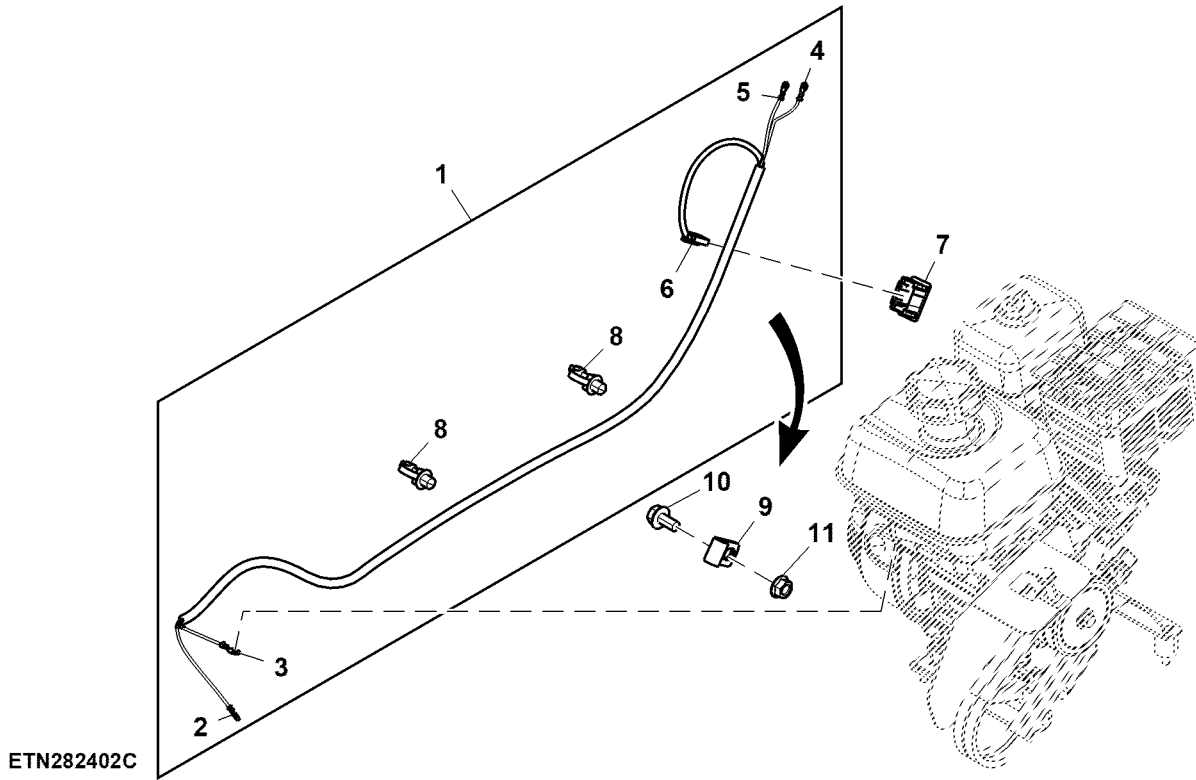
PU42234

Key	Part No.	Part Name	Qty.	Serial No.	Remarks
1	AMT668	Wiring Harness	1		
2	Elec. Connector Terminal	1		Ignition Coil
3	57M7560	Elec. Connector Terminal	1		Ground

Engine Wiring Harness (120001 -)
 Engine Wiring Harness (120001 -)
 Engine Wiring Harness (120001 -)
 Engine Wiring Harness (120001 -)
 Engine Wiring Harness (120001 -)
 Engine Wiring Harness (120001 -)



ETN282402C A.1



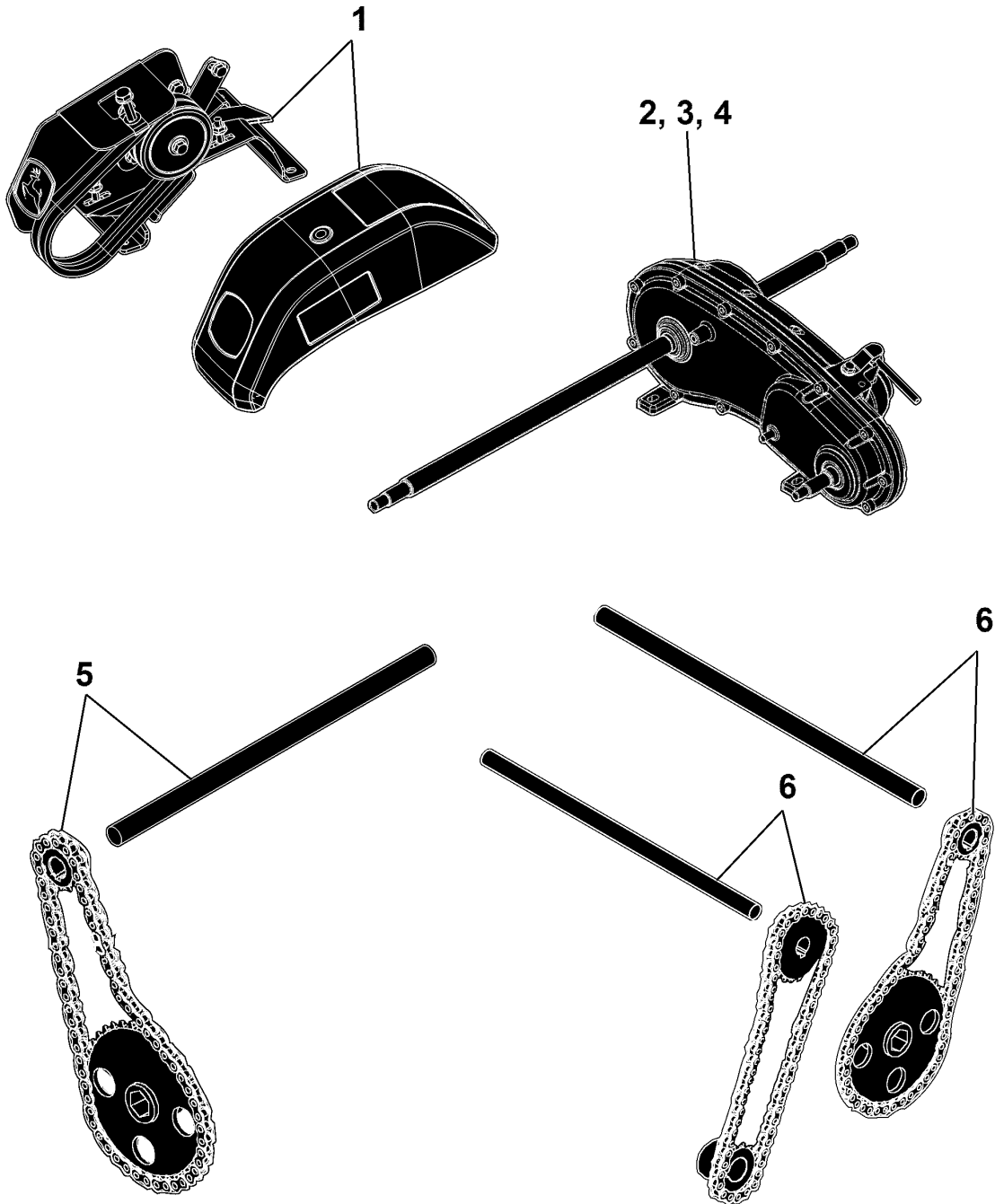
ETN282402C

Key	Part No.	Part Name	Qty.	Serial No.	Remarks
1	AUC18499 AUC20031	Wiring Harness	1	-120000	
2	57M16131	Elec. Connector Terminal	1	120001-	X52, Magneto
3	57M7560	Elec. Connector Terminal	1		X66, Chassis
4	57M9954	Elec. Connector Terminal	1		X68, Kill Switch
5	57M9954	Elec. Connector Terminal	1		X67, Kill Switch
6	57M7144	Elec. Connector Housing	1		X1, Hourmeter
7	57M8810 AUC14026	Elec. Connector Terminal Hour Meter	2 1		Cavity A, B Magneto Input
8	TCU29933	Clip	2		
9	AH76882	Clip	1		
10	19M7865	Screw	6		M8 X 16
11	E63525	Nut	7		M8

Sectional Pictorial Index
 Index d'illustrations par sections.
 Gruppenbildindex
 Índice ilustrado delle sezioni
 Índice de ilustraciones por secciones
 Avsnittsbildregister

PU42054 A.1

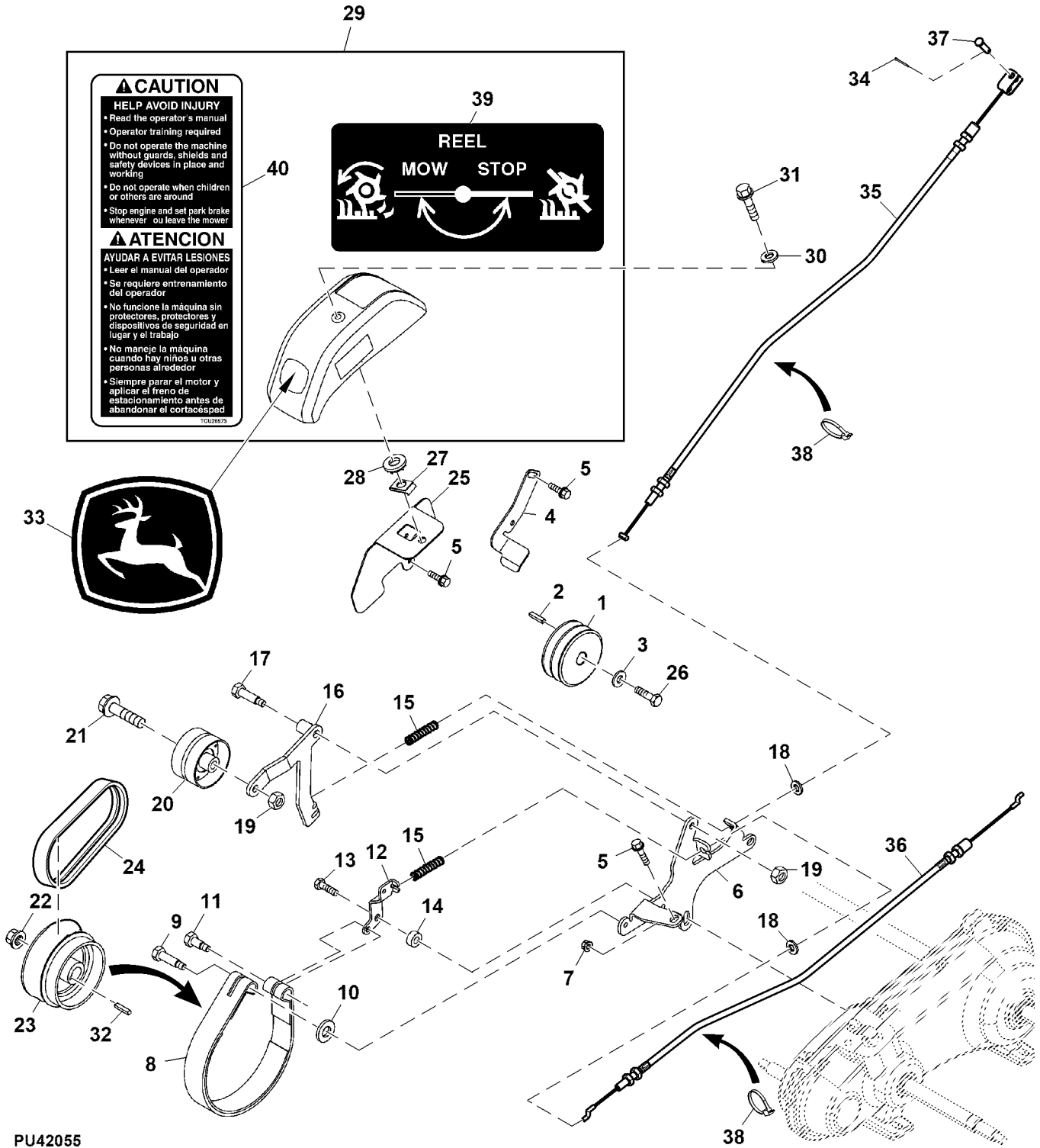
1-	94
2-	96
3-	97
4-	98
5-	100
6-	101



PU42054

Belt Drive and Brake
 Belt Drive and Brake
 Belt Drive and Brake
 Belt Drive and Brake
 Belt Drive and Brake
 Belt Drive and Brake

PU42055 A.1

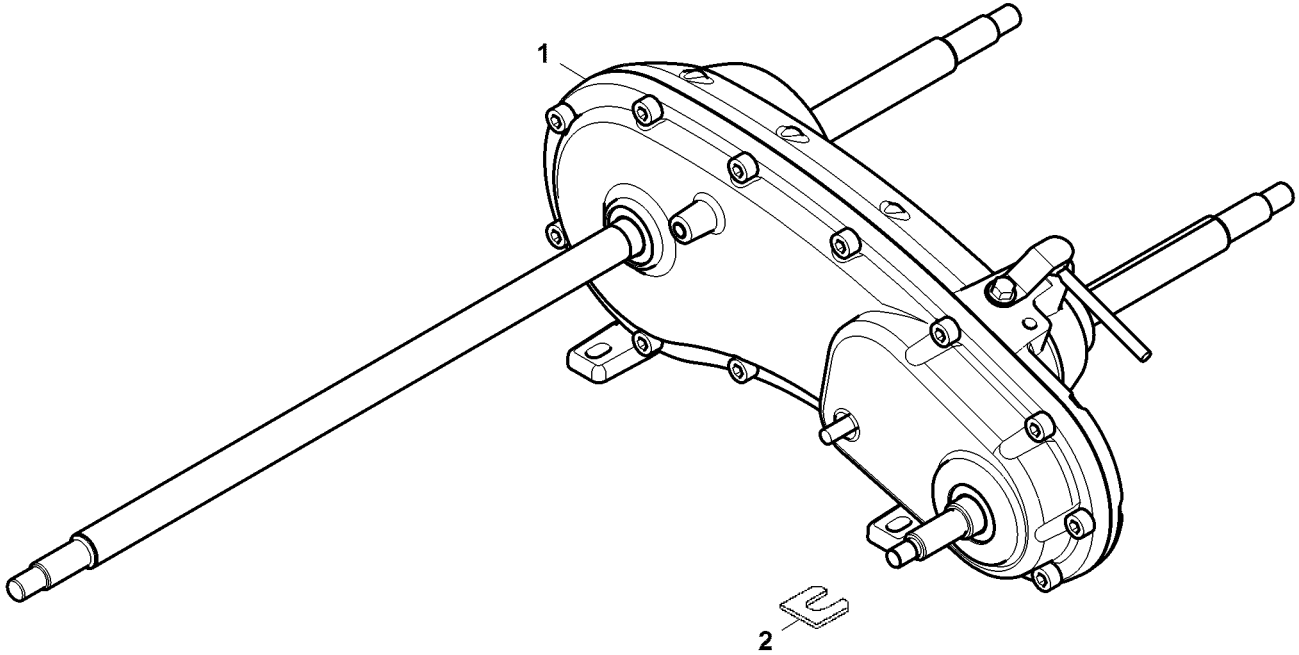


PU42055

Key	Part No.	Part Name	Qty.	Serial No.	Remarks
1	MT7332	Pulley	1		OD = 92.50 mm, Drive
2	49M6496	Shaft Key	1		5 X 22 mm
3	24M7207	Washer	1		8.400 X 24 X 2 mm
4	MT7322	Guide	1		Belt
5	19M7865	Screw	5		M8 X 16
6	MT7168	Bracket	1		Differential
7	E63525	Nut	1		
8	AMT820	Brake Band	1		
9	ET11345	Cap Screw	1		
10	24M7238	Washer	1		8.700 X 17 X 2 mm
11	ET11351	Cap Screw	1		
12	MT1041	Arm	1		
13	ET15464	Bolt	1		
14	ET11010	Washer	1		
15	MT1200	Compression Spring	2		
16	AMT2945	Arm	1		Clutch Idler
17	19M7181	Cap Screw	1		M10 X 55
18	24M7040	Washer	2		11 X 20 X 2 mm
19	14M7152	Nut	2		M10
20	AMT758	Sheave	1		OD = 65.50 mm
21	19M8162	Screw	1		M10 X 40
22	14M7296	Flange Nut	1		M10
23	MT7333	Pulley	1		OD = 96.50 mm
24	AMT2800	Belt Set	1		LGTH = 608 mm, TK = 7.1 mm, WIDTH = 12.7 mm
25	AMT2827	Bracket	1		Belt Cover
26	19M7867	Screw	1		M8 X 25
27	H143834	Nut	1		
28	H141123	Push Nut	1		
29	AMT2826	Cover Kit	1		ORDER TCU33500, Belt
	TCU33500	Cover Kit	1		Belt
30	24M7028	Washer	1		10.500 X 20 X 2 mm
31	19M7179	Cap Screw	1		M10 X 50
32	49M7049	Shaft Key	1		5 X 5 X 22 mm
33	JD5779	Label	1		Leaping Deer
34	M146729	Spring Locking Pin	1		
35	AMT2741	Push Pull Cable	1		Clutch Control
36	AMT2742	Push Pull Cable	1		
37	R72660	Pin Fastener	1		
38	H77698	Tie Band	2		
39	MT7160	Label	1		Reel Stop-Mow
40	TCU26573	Label	1		Caution, English / Spanish

Gear Case
 Gear Case
 Gear Case
 Gear Case
 Gear Case
 Gear Case

PU32388 A.1



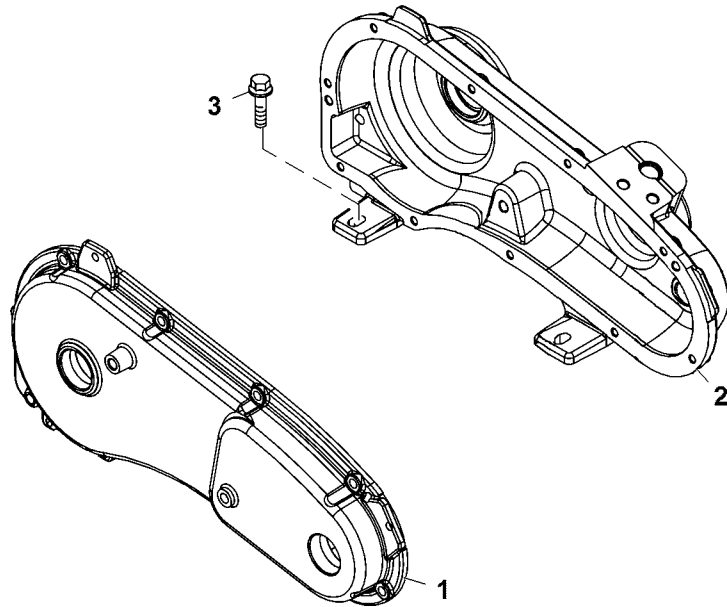
PU32388

Key	Part No.	Part Name	Qty.	Serial No.	Remarks
1	AMT2924	Gear Case	1		ORDER AUC18717, UC35129 and UC35131
	AMT2923	Gear Case	1		
	AUC18717	Gear Case	1		
2	ET10278	Shim	1		TK = 0.47 mm
3	UC35126	Shaft	2		Output 5, Not Illustrated
4	UC35127	Shaft	1		Output 6, Not Illustrated

Gear Case Housing
 Gear Case Housing
 Gear Case Housing
 Gear Case Housing
 Gear Case Housing
 Gear Case Housing



PU32389 A.1

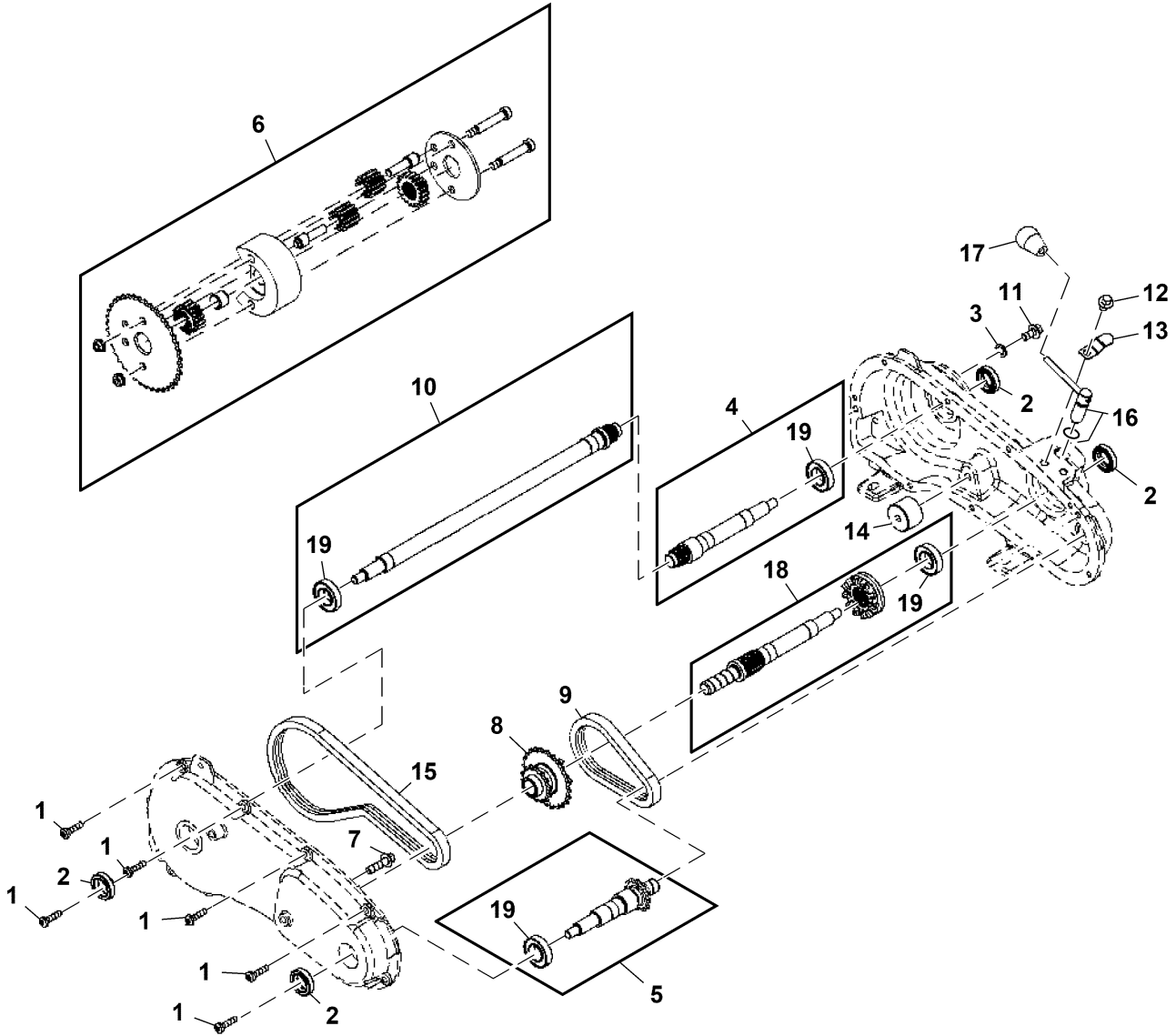


PU32389

Key	Part No.	Part Name	Qty.	Serial No.	Remarks
1	AMT2927	Housing	1		RH
2	AMT2926	Housing	1		LH
3	19M7866	Screw	4		M8 X 20

Differential, Gear Case
Differential, Gear Case
Differential, Gear Case
Differential, Gear Case
Differential, Gear Case

PU50738 A.1

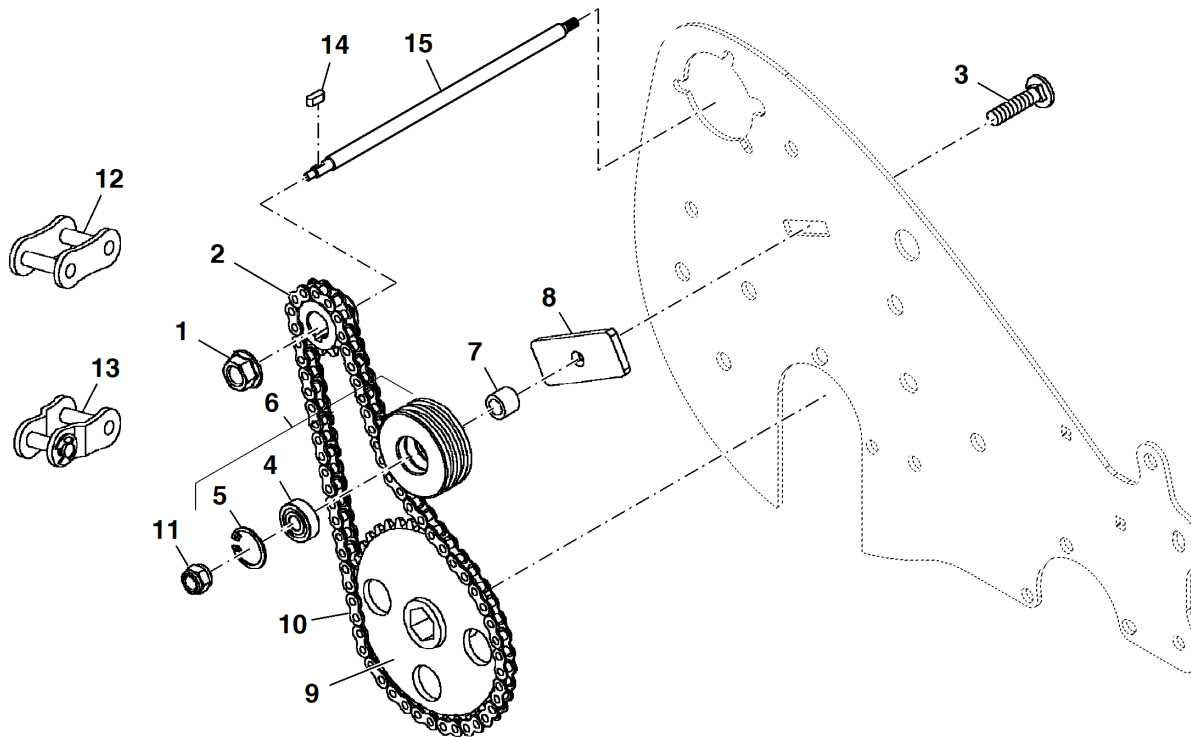


PU50738

Key	Part No.	Part Name	Qty.	Serial No.	Remarks
1	19M7603	Screw	10		M6 X 20
2	M146803	Seal	4		
3	R463R	Washer	1		
4	AM132051	Shaft	1		Output, LH
	AUC18715	Shaft	1		USE WITH AUC18717
5	AM132046	Shaft	1		Input
	AUC20351	Chain Sprocket	1		USE WITH AUC18717
6	TCA23639	Differential	1		SUB FOR AM132052
7	19M7868	Screw	1		M8 X 30
8	AM132047	Chain Sprocket	1		Reel
9	M146811	Roller Chain	1		
10	AM132053	Shaft	1		Output, RH
	AUC18714	Shaft	1		USE WITH AUC18717
11	19M7865	Screw	2		M8 X 16
12	19M7864	Screw	1		M8 X 12
13	M146819	Clip	1		Retainer
14	M146813	Tightener	1		Chain
15	M146809	Roller Chain	1		
16	AM132050	Actuator	1		
17	MT7157	Knob	1		
18	AM132048	Shaft	1		Reel
	AUC18716	Shaft	1		USE WITH AUC18717
19	ET11138	Ball Bearing	4		

Chain Drive, RH
 Chain Drive, RH
 Chain Drive, RH
 Chain Drive, RH
 Chain Drive, RH
 Chain Drive, RH

ETN269427C01 A.1

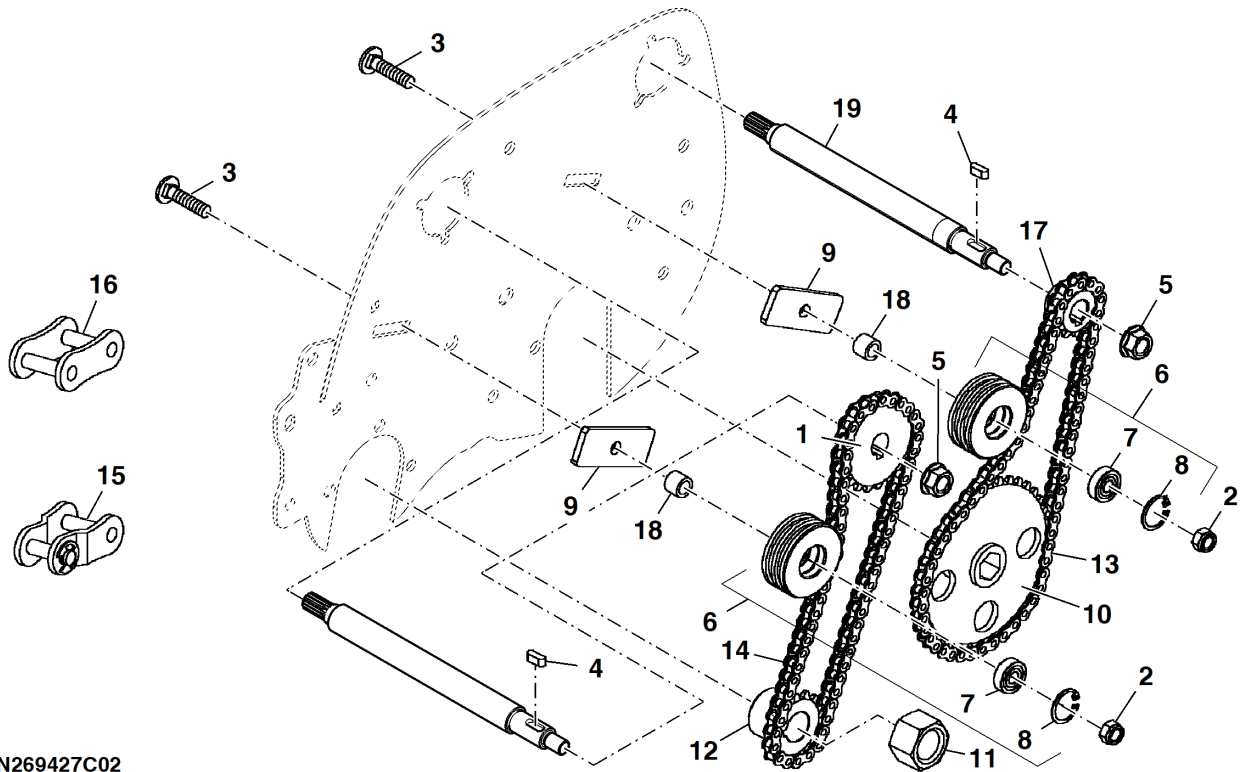


ETN269427C01

Key	Part No.	Part Name	Qty.	Serial No.	Remarks
1	14M7296	Flange Nut	1		M10
2	TCU22960	Chain Sprocket	1		Z = 11, Driver Chain
3	03M7187	Bolt	1		M8 X 35
4	AM102726	Ball Bearing	1		SUB FOR JD10181
5	40M1851	Snap Ring	1		
6	AMT2863	Idler	1		OD = 44.4 mm, Chain
7	28H90	Bushing	1		0.364" X 0.540" X 7/16"
8	MT7182	Strap	1		
9	UC29268	Chain Sprocket	1		Z = 37, SUB FOR AMT2905
10	TCA16595	Roller Chain	1		INCLUDES SW35COUS AND SW35OLUS, Traction Drive
11	14M7273	Nut	1		M8
12	SW35COUS	Chain Link	2		Coupler
13	SW35OLUS	Chain Link	2		Offset
14	49M7047	Shaft Key	1		5 X 5 X 14 mm
15	UC35125	Shaft	1		WBG M Output 4
	UC35131	Shaft	1		WBG M Output 8

Chain Drive, LH
 Chain Drive, LH
 Chain Drive, LH
 Chain Drive, LH
 Chain Drive, LH
 Chain Drive, LH

ETN269427C02 A.1



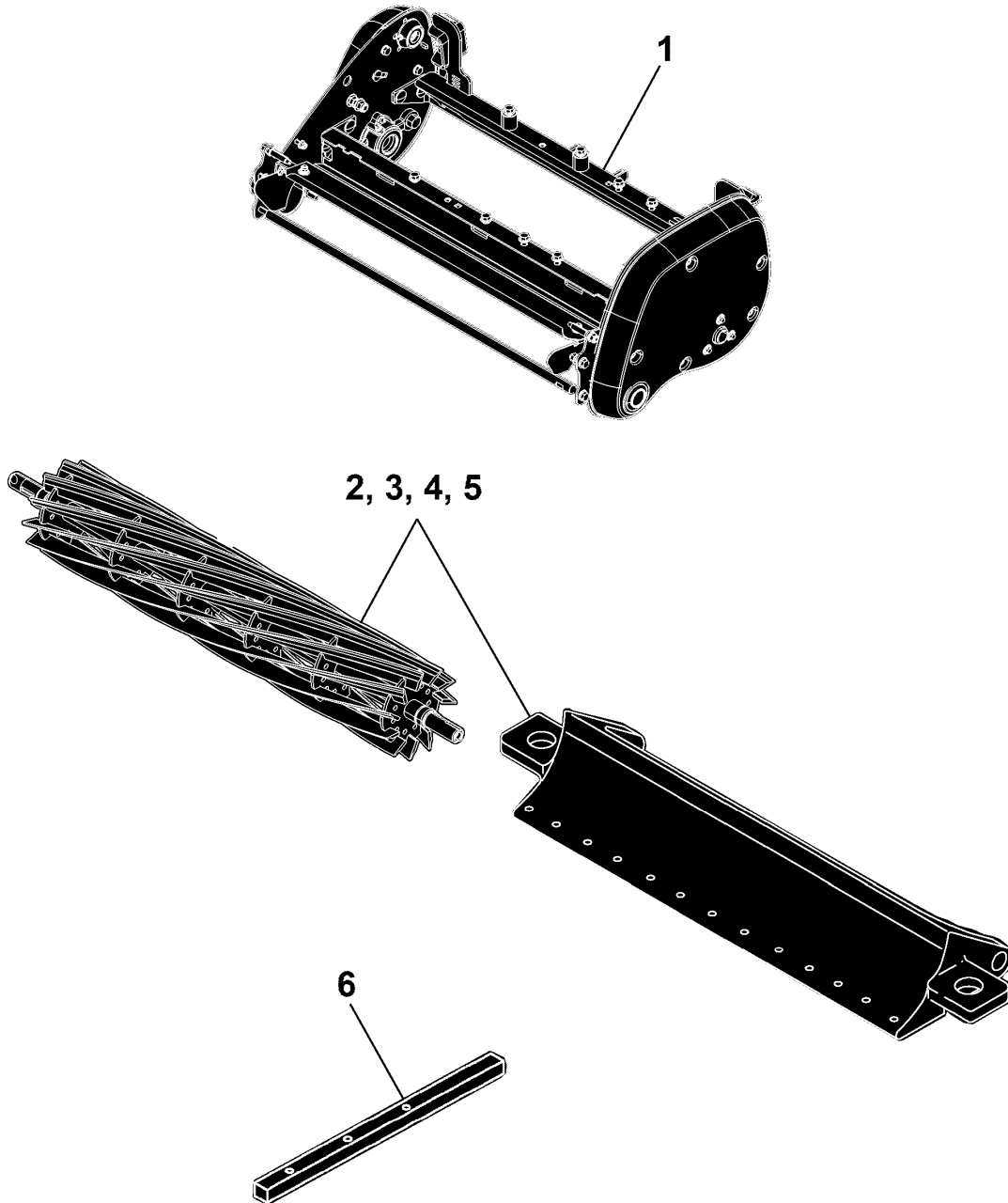
ETN269427C02

Key	Part No.	Part Name	Qty.	Serial No.	Remarks
1	TCU22961	Chain Sprocket	1		Z = 20, Driver Chain
2	14M7273	Nut	2		M8
3	03M7187	Bolt	2		M8 X 35
4	49M7047	Shaft Key	2		5 X 5 X 14 mm
5	14M7296	Flange Nut	2		M10
6	AMT2863	Idler	2		OD = 44.4 mm, Chain
7	AM102726	Ball Bearing	2		SUB FOR JD10181
8	40M1851	Snap Ring	2		
9	MT7182	Strap	2		
10	UC29268	Chain Sprocket	1		Z = 37, SUB FOR AMT2905
11	14M7306	Nut	1		M20
12	TCU22962	Chain Sprocket	1		Z = 16, Reel
13	TCA16595	Roller Chain	1		INCLUDES SW35COUS AND SW35OLUS, Traction Drive
14	TCA16596	Roller Chain	1		INCLUDES SW35COUS AND SW35OLUS, Reel Drive
15	SW35OLUS	Chain Link	2		Offset
16	SW35COUS	Chain Link	2		Coupler
17	TCU22960	Chain Sprocket	1		Z = 11, Driver Chain
18	28H90	Bushing	2		0.364" X 0.540" X 7/16"
19	UC35124	Shaft	2		WBG M Output 3
	UC35129	Shaft	2		WBG M Output 7

Sectional Pictorial Index
 Index d'illustrations par sections.
 Gruppenbildindex
 Indice illustrato delle sezioni
 Índice de ilustraciones por secciones
 Avsnittsbildregister

PU41981 A.1

1-	104
2-	106
3-	108
4-	110
5-	112
6-	114



PU41981

Main Frame
Main Frame
Main Frame
Main Frame
Main Frame

PU53981 A.1



IMPORTANT
Pursuant to California Public Resources Code 4442.6:

IMPORTANTE
Según el Código de recursos públicos 4442.6 del Estado de California

WARNING: Operation of This Equipment May Create Sparks That Can Start Fires Around Dry Vegetation. A Spark Arrestor May Be Required. The Operator Should Contact Local Fire Agencies For Laws or Regulations Relating to Fire Prevention Requirements.

ADVERTENCIA: El uso de este equipo puede crear chispas capaces de iniciar incendios en vegetación seca. Podría ser necesario usar un pararrayos. El operador deberá comunicarse con cuerpos de bomberos locales para informarse de leyes o reglamentos relacionados con los requisitos exigidos para la prevención de incendios.

UC13181

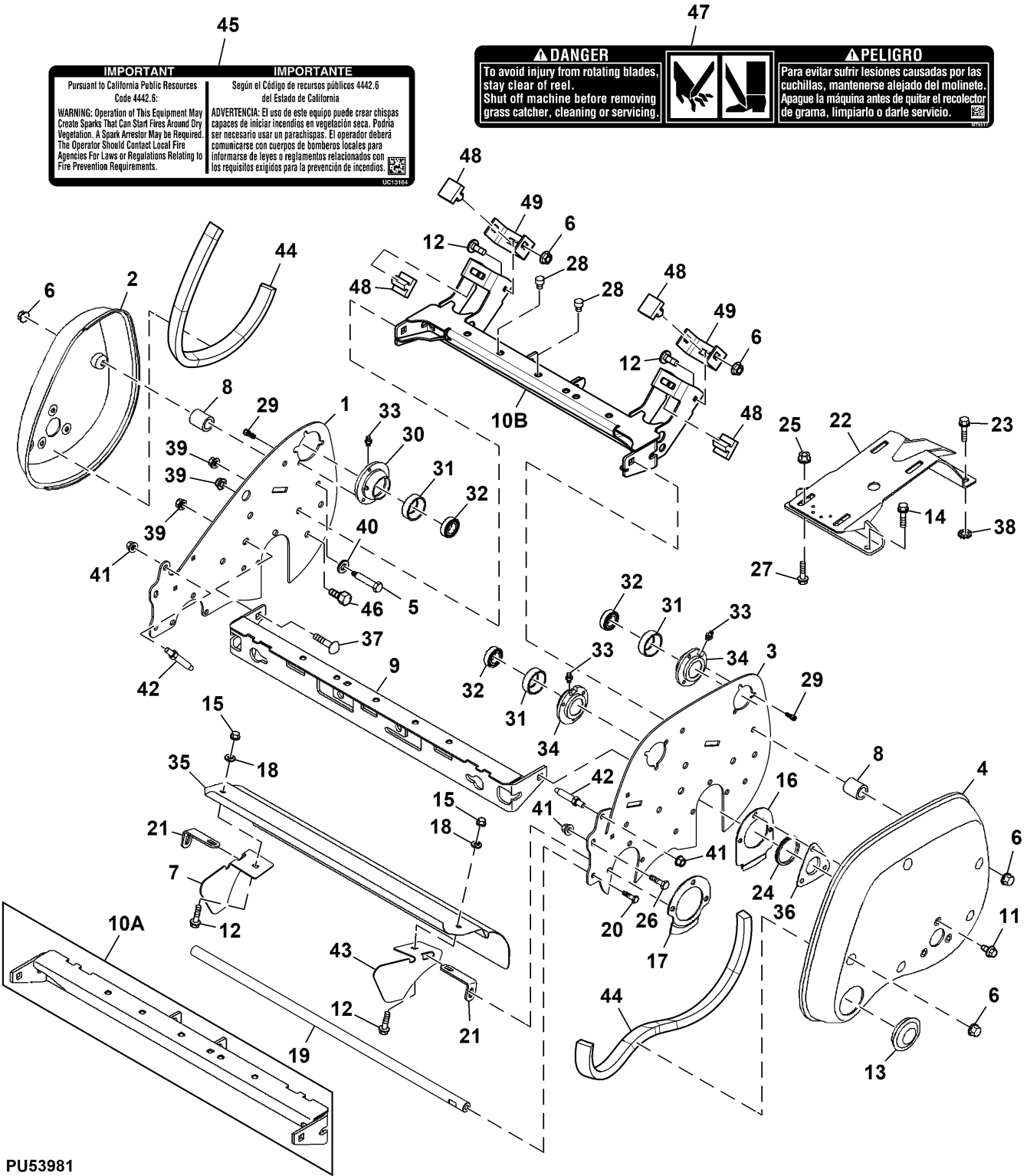
⚠ DANGER

To avoid injury from rotating blades, stay clear of reel. Shut off machine before removing grass catcher, cleaning or servicing.

⚠ PELIGRO

Para evitar sufrir lesiones causadas por las cuchillas, manténgase alejado del molinete. Apague la máquina antes de quitar el recolector de grama, limpiarlo o darle servicio.

130757



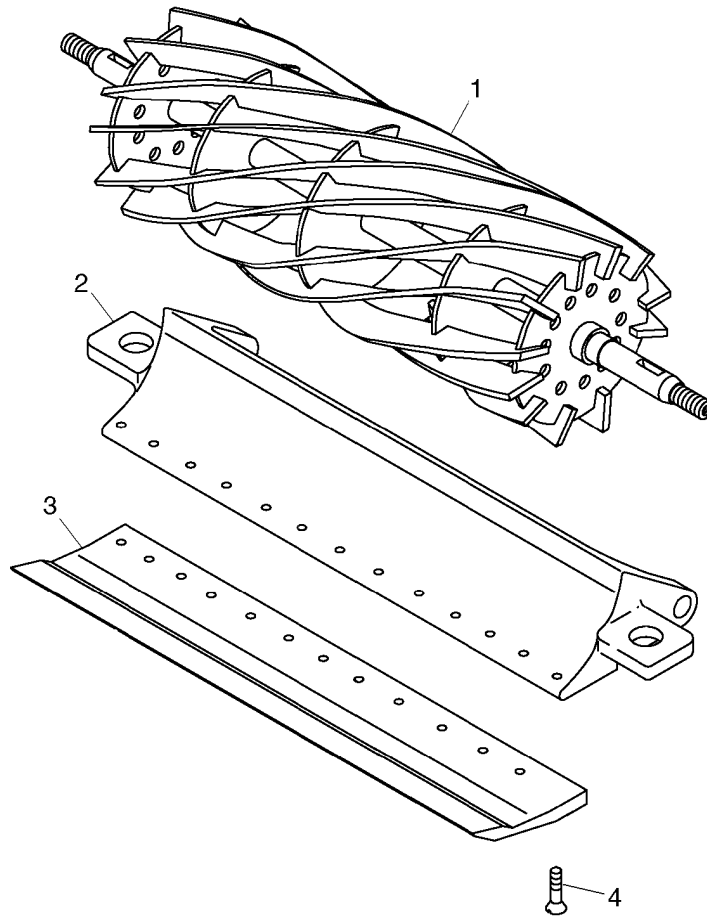
PU53981

Key	Part No.	Part Name	Qty.	Serial No.	Remarks
1	UC36570	Panel	1		SUB FOR TCU28211, RH
2	MT6974	Cover	1		RH
3	UC35991	Panel	1		SUB FOR TCU28212, LH
4	MT6973	Cover	1		LH
5	ET15463	Cap Screw	8		
6	E63524	Nut	12		
7	TCU29522	Grass Deflector	1		RH
8	MT7134	Spacer	8		
9	AMT2918	Crossbar	1		Front
10A	AMT2921	Crossbar	1	-130000	Rear
10B	AUC18979	Crossbar	1	130001-	Rear
11	37M7458	Screw	6		M6 X 12
12	03M7221	Bolt	8		M6 X 16
13	UC21451	Plug	1		SUB FOR MT7293
14	19M7865	Screw	2		M8 X 16
15	14M7397	Lock Nut	4		M6
16	MT7066	Cover	2		Side Panel
17	MT7071	Cover	1		Front
18	24M7139	Washer	2		6.400 X 18 X 1.600 mm
19	UC13425	Rod	1		SUB FOR TCU26727, Front
20	19M7897	Screw	2		M8 X 35
21	MT7101	Angle	2		Reel Cover
22	AMT2839	Base	1		Engine
23	19M7864	Screw	2		M8 X 12
24	AR1335R	Seal	2		Oil
25	E63525	Nut	4		
26	19M7867	Screw	2		M8 X 25
27	03M7187	Bolt	4		M8 X 35
28	MT3153	Isolator	2		Engine Mount
29	19M8579	Screw	9		M6 X 10
30	MT6948	Bearing Housing W/O Bearing	1		RH
31	M802355	Bearing	3		
32	ET10987	Seal	3		Grease
33	JD7844	Lubrication Fitting	3		
34	MT7173	Bearing Housing W/O Bearing	2		LH
35	AMT2829	Shield	1		INCLUDES MT6517
36	MT7059	Flange	2		Seal
37	03M7190	Bolt	8		M10 X 20
38	12M7032	Lock Washer	2		8.400 mm
39	14M7296	Flange Nut	9		M10
40	24M7036	Washer	8		9 X 16 X 1.600 mm
41	H137328	Lock Nut	4		
42	TCU28895	Stud	2		
43	TCU29523	Grass Deflector	1		LH
44	MT7323	Seal	2		Cover
45	UC13164	Label	1		Warning, Spark Arrestor, English / Spanish
46	ET16467	Eccentric	1		Rear Roller
47	MT6517	Label	1		Danger, English / Spanish
48	E43961	Bumper	4	130001-	
49	UC34367	Bracket	2	130001-	
50	MT2485	Plug	2		Not Illustrated

Reel and Bed Knife (010001 - 090000)
Reel and Bed Knife (010001 - 090000)
Reel and Bed Knife (010001 - 090000)
Reel and Bed Knife (010001 - 090000)
Reel and Bed Knife (010001 - 090000)
Reel and Bed Knife (010001 - 090000)



MP63546 A.1



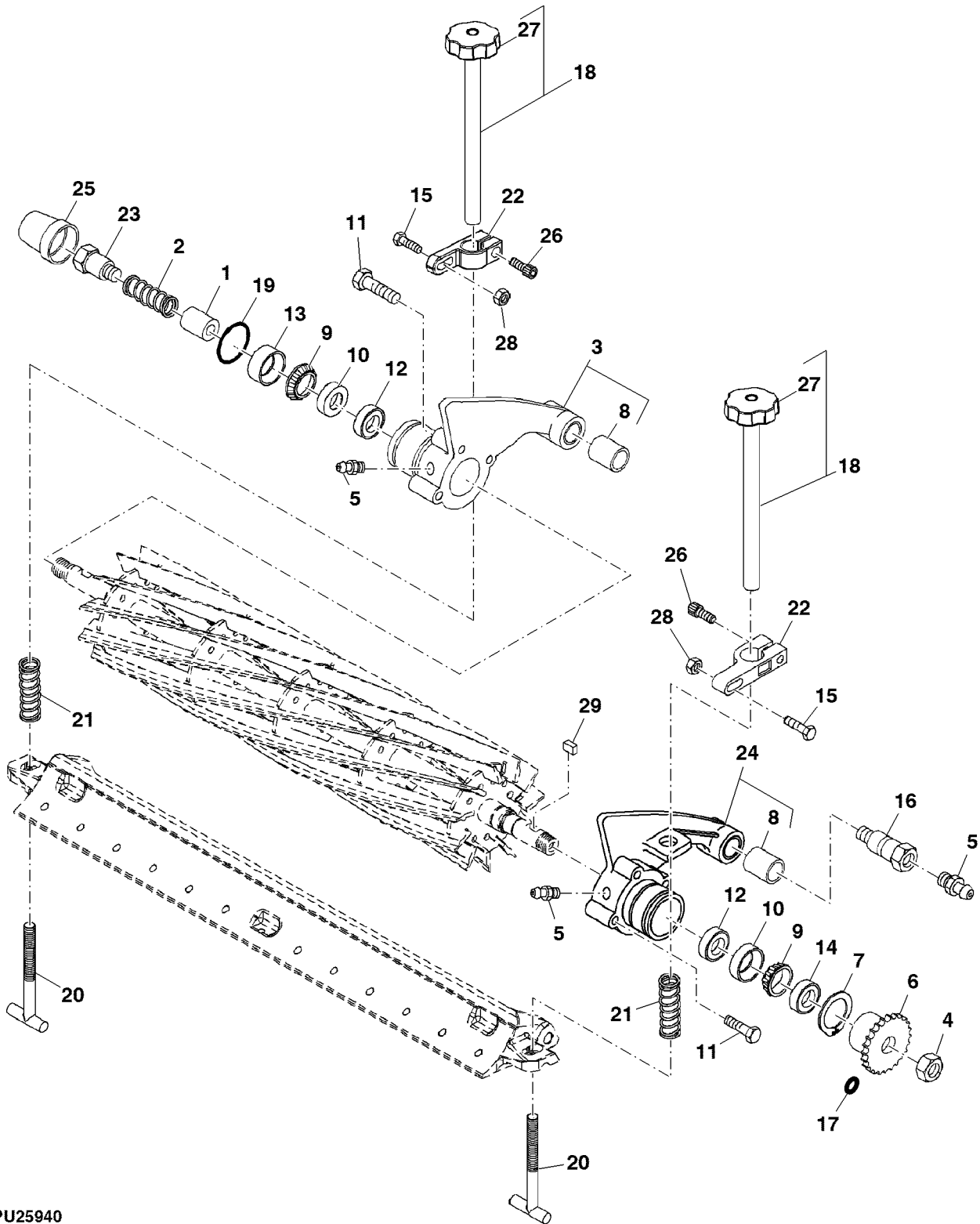
MP63546

Key	Part No.	Part Name	Qty.	Serial No.	Remarks
1	AMT2886	Mower Reel	1		11-Blade
	TCA23623	Mower Reel	1		14-Blade
2	MT7314	Shoe	1		
3	UC18873	Stationary Knife	1		Height of Cut = 3.2 mm, STD, SUB FOR ET17533
	ET11066	Stationary Knife	1		Height of Cut = 3.2 mm, Standard Greens W/ Hardened Insert
	UC18869	Stationary Knife	1		22 inch, Height of Cut = 2.5 mm, SUB FOR ET17534, Tournament
	UC28163	Stationary Knife	1		Height of Cut = 2.0 mm, SUB FOR UC19154 OR MT7351, Low Cut
4	21M7194	Screw	13		M6 X 12

Reel Adjusters and Drive (010001 - 090000)
 Reel Adjusters and Drive (010001 - 090000)
 Reel Adjusters and Drive (010001 - 090000)
 Reel Adjusters and Drive (010001 - 090000)
 Reel Adjusters and Drive (010001 - 090000)
 Reel Adjusters and Drive (010001 - 090000)



PU25940 A.1



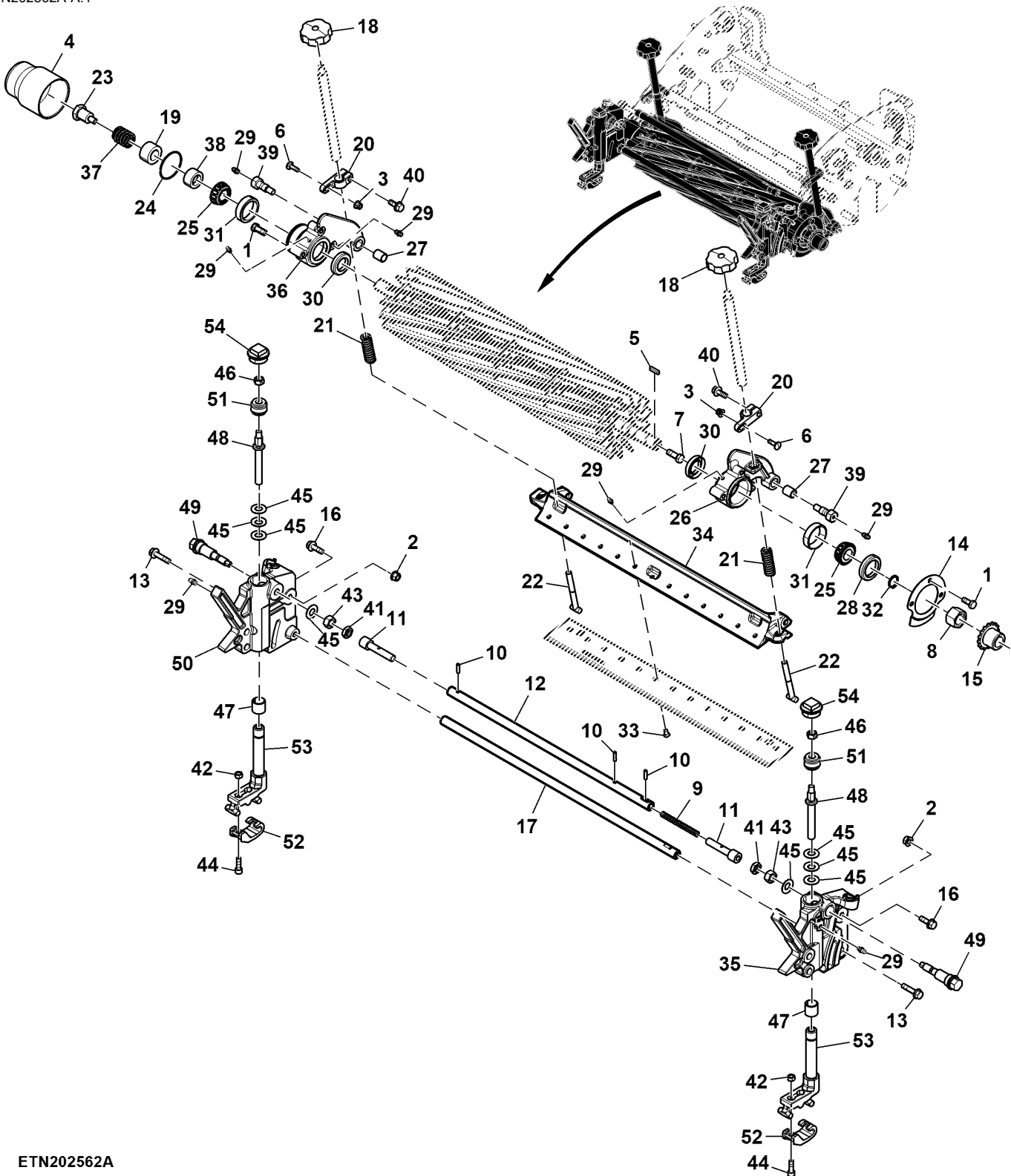
PU25940

Key	Part No.	Part Name	Qty.	Serial No.	Remarks
1	ET11464	Spacer	1		
2	ET11053	Compression Spring	1		
3	AMT5162	Housing	1		RH
4	14M7306	Nut	1		M20
5	JD7844	Lubrication Fitting	4		Graisneur
6	TCU22962	Chain Sprocket	1		Z = 16
7	AMT2865	Sprocket Kit	1		Z = 14, INCLUDES (2) 24H1181
8	40M7080	Snap Ring	1		External Snap
8	P44946	Bushing	1		
9	AMT1108	Bearing Cone	2		
10	MT2108	Bearing Cup	2		
11	19M7881	Screw	6		M8 X 20
12	MT1160	Seal	2		
13	ET11368	Spacer	1		Shaft
14	ET11073	Seal	1		
15	03M7222	Bolt	2		M6 X 20
16	ET11371	Screw	2		
17	24H1181	Washer	1		13/16" X 1-1/8" X 0.060"
18	AMT2798	Handle	2		Adjuster
19	M44162	O-Ring	1		
20	ET11372	Bolt	2		
21	ET11070	Compression Spring	2		
22	UC16469	Clamp	2		SUB FOR MT6952
23	ET11367	Cap Screw	1		
24	AMT5163	Housing	1		LH
25	MT7237	Cap	1		Reel Bearing Housing
26	19M7866	Screw	2		M8 X 20
27	MT6980	Knob	1		
28	14M7397	Lock Nut	2		M6
29	49M7049	Shaft Key	1		5 X 5 X 22 mm

- Mower Reel and Housing, 14 Blade (090001 -)
- Mower Reel and Housing, 14 Blade (090001 -)
- Mower Reel and Housing, 14 Blade (090001 -)
- Mower Reel and Housing, 14 Blade (090001 -)
- Mower Reel and Housing, 14 Blade (090001 -)
- Mower Reel and Housing, 14 Blade (090001 -)



ETN202562A A.1



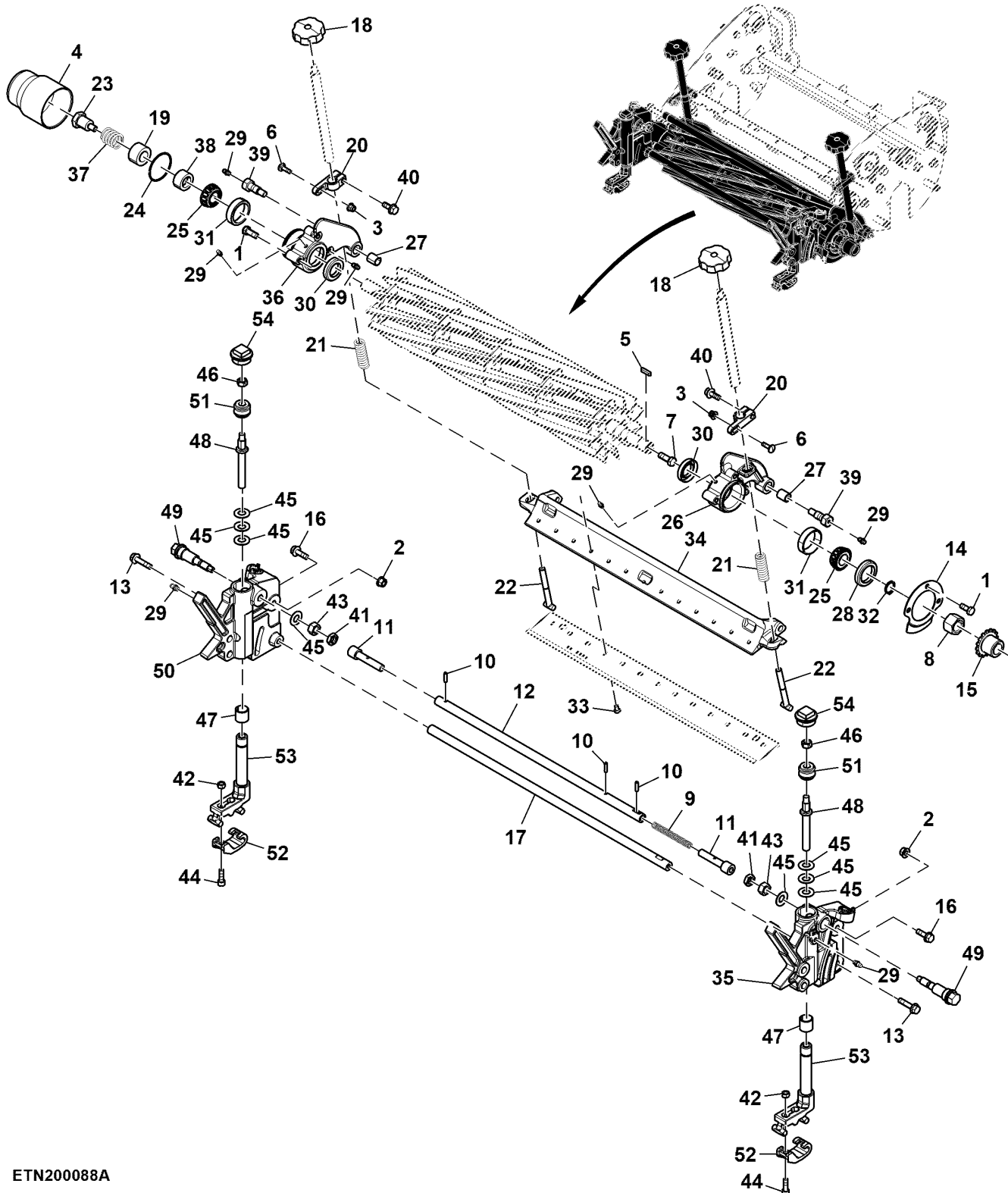
ETN202562A

Key	Part No.	Part Name	Qty.	Serial No.	Remarks
1	19M7881	Screw	6		M8 X 20
2	H137328	Lock Nut	2		
3	14M7463	Lock Nut	2		M6
4	MT7237	Cap	1		
5	49M7049	Shaft Key	1		5 X 5 X 22 mm
6	03M7222	Bolt	2		M6 X 20
7	19H2987	Cap Screw	1		3/8" X 1"
8	14M7306	Nut	1		M20
9	TCU25398	Compression Spring	1		
10	34M7094	Spring Pin	3		4 X 16 mm
11	TCU24958	Socket	2		
12	TCU26729	Tube	1		
13	19M7897	Screw	2		M8 X 35
14	MT7071	Cover	1		Front
15	TCU22962	Chain Sprocket	1		Z = 16
16	19M7867	Screw	2		M8 X 25
17	UC13425	Rod	1		
18	MT6980	Knob	2		Internal Thread
19	ET11464	Spacer	1		
20	UC16469	Clamp	2		
21	ET11070	Compression Spring	2		
22	ET11372	Bolt	2		
23	ET11367	Cap Screw	1		
24	M44162	O-Ring	1		
25	AMT1108	Bearing Cone	2		
26	AMT5163	Housing	1		LH
27	P44946	Bushing	2		
28	ET11073	Seal	1		Grease
29	JD7844	Lubrication Fitting	6		
30	MT1160	Seal	2		
31	MT2108	Bearing Cup	2		
32	40M7080	Snap Ring	1		
33	21M7194	Screw	13		M6 X 12
34	MT7314	Shoe	1		
35	TCU27319	Panel	1		LH, Bracket
36	AMT5162	Housing	1		RH
37	ET11053	Compression Spring	1		
38	ET11368	Spacer	1		Shaft
39	ET11371	Screw	2		
40	19M7866	Screw	2		M8 X 20
41	14M7152	Nut	2		M10
42	14M7272	Nut	2		M6
43	14M7274	Nut	2		M10
44	19M7603	Screw	2		M6 X 20
45	ET16679	Spring Washer	8		
46	M148268	Lock Nut	2		
47	MT74	Bushing	2		
48	TCU24328	Adjuster	2		Rear HOC
49	TCU26458	Worm Gear	2		
50	TCU27195	Panel	1		RH, Bracket
51	TCU40491	Worm Gear	2		Z = 20
52	UC16110	Clamp	2		
53	AUC13515	Adjuster	2		Front Roller
54	UC16102	Fitting	2		Hoc Adjuster

- Mower Reel and Housing, 11 Blade (090001 -)
- Mower Reel and Housing, 11 Blade (090001 -)
- Mower Reel and Housing, 11 Blade (090001 -)
- Mower Reel and Housing, 11 Blade (090001 -)
- Mower Reel and Housing, 11 Blade (090001 -)
- Mower Reel and Housing, 11 Blade (090001 -)



ETN200088A A.1

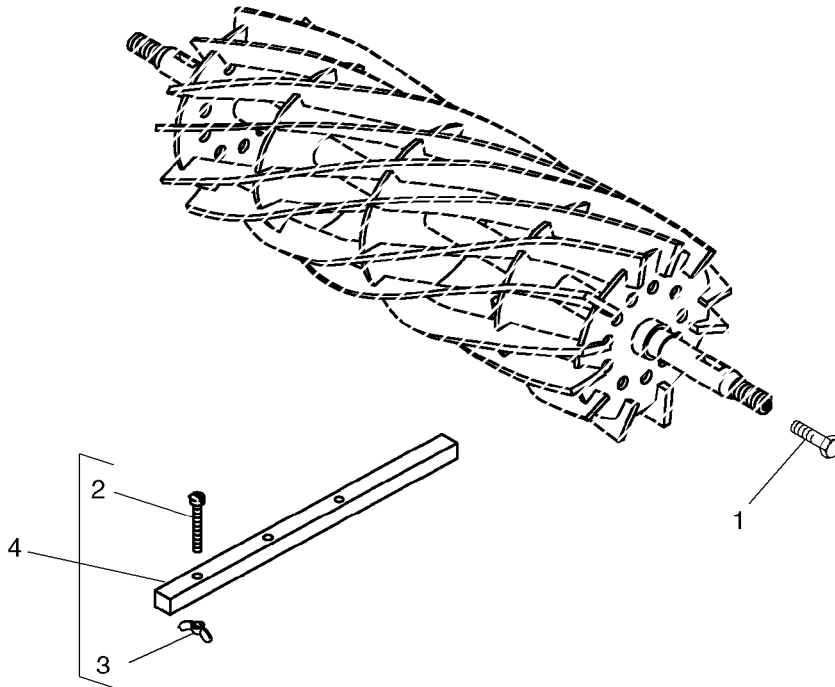


ETN200088A

Key	Part No.	Part Name	Qty.	Serial No.	Remarks
1	19M7881	Screw	6		M8 X 20
2	H137328	Lock Nut	2		
3	14M7463	Lock Nut	2		M6
4	MT7237	Cap	1		
5	49M7049	Shaft Key	1		5 X 5 X 22 mm
6	03M7222	Bolt	2		M6 X 20
7	19H2987	Cap Screw	1		3/8" X 1"
8	14M7306	Nut	1		M20
9	TCU25398	Compression Spring	1		
10	34M7094	Spring Pin	3		4 X 16 mm
11	TCU24958	Socket	2		
12	TCU26729	Tube	1		
13	19M7897	Screw	2		M8 X 35
14	MT7071	Cover	1		Front
15	TCU22962	Chain Sprocket	1		Z = 16
16	19M7867	Screw	2		M8 X 25
17	UC13425	Rod	1		
18	MT6980	Knob	2		Internal Thread
19	ET11464	Spacer	1		
20	UC16469	Clamp	2		
21	ET11070	Compression Spring	2		
22	ET11372	Bolt	2		
23	ET11367	Cap Screw	1		
24	M44162	O-Ring	1		
25	AMT1108	Bearing Cone	2		
26	AMT5163	Housing	1		LH
27	P44946	Bushing	2		
28	ET11073	Seal	1		Grease
29	JD7844	Lubrication Fitting	6		
30	MT1160	Seal	2		
31	MT2108	Bearing Cup	2		
32	40M7080	Snap Ring	1		
33	21M7194	Screw	13		M6 X 12
34	MT7314	Shoe	1		
35	TCU27319	Panel	1		LH, Bracket
36	AMT5162	Housing	1		RH
37	ET11053	Compression Spring	1		
38	ET11368	Spacer	1		Shaft
39	ET11371	Screw	2		
40	19M7866	Screw	2		M8 X 20
41	14M7152	Nut	2		M10
42	14M7272	Nut	2		M6
43	14M7274	Nut	2		M10
44	19M7603	Screw	2		M6 X 20
45	ET16679	Spring Washer	8		
46	M148268	Lock Nut	2		
47	MT74	Bushing	2		
48	TCU24328	Adjuster	2		Rear
49	TCU26458	Worm Gear	2		
50	TCU27195	Panel	1		RH, Bracket
51	TCU40491	Worm Gear	2		Z = 20
52	UC16110	Clamp	2		
53	AUC13515	Adjuster	2		Front Roller
54	UC16102	Fitting	2		Hoc Adjuster

Service Tools
 Service Tools
 Service Tools
 Service Tools
 Service Tools
 Service Tools

MP61457 A.1



MP61457

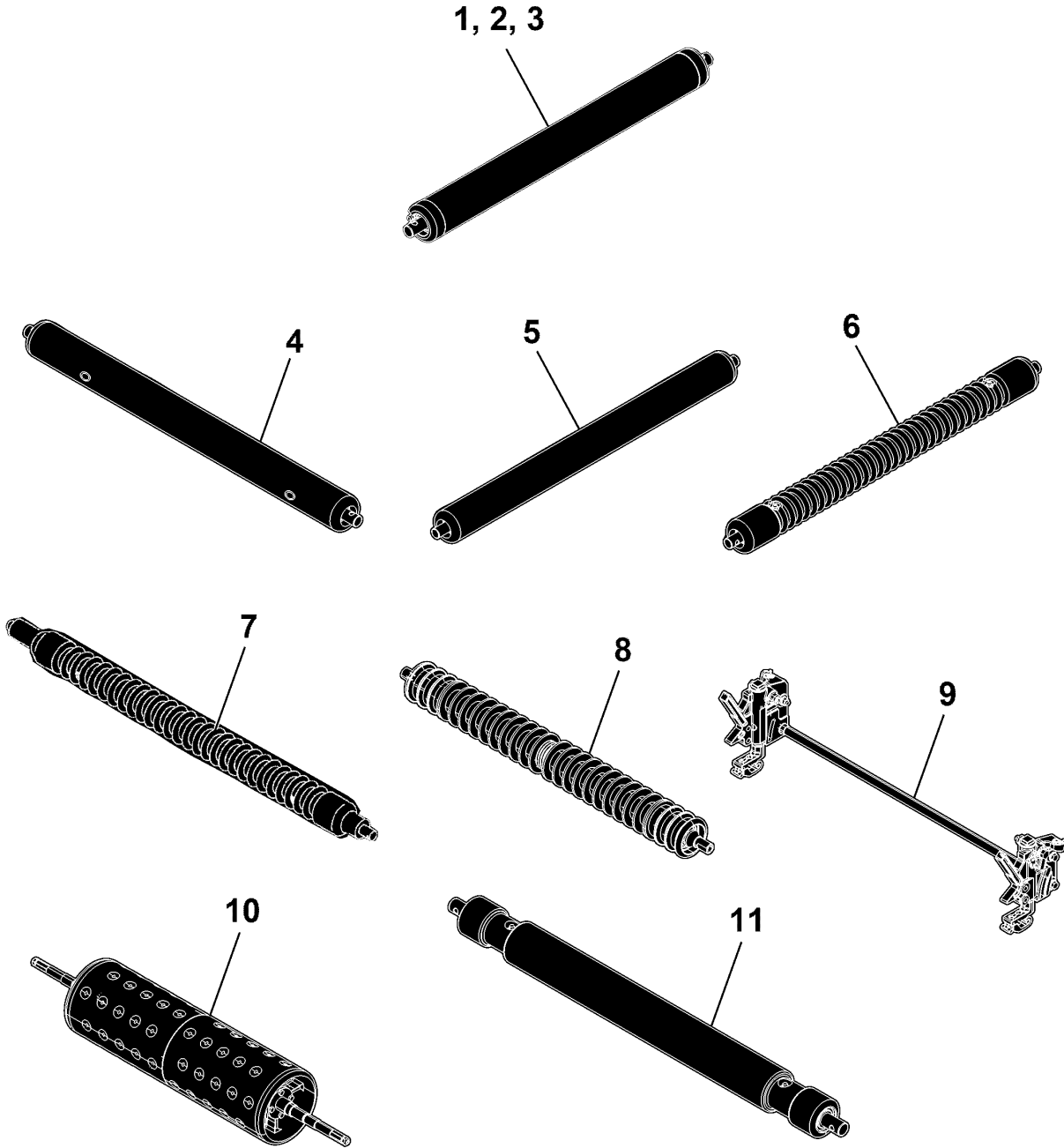
Key	Part No.	Part Name	Qty.	Serial No.	Remarks
1	19H2987	Cap Screw	1		3/8" X 1"
2	21M5631	Screw	3		M6 X 45
3	14M7019	Wing Nut	3		M6
4	AMT2978	Guide Bar	1		

81 Rollers

Sectional Pictorial Index
 Index d'illustrations par sections.
 Gruppenbildindex
 Indice illustrato delle sezioni
 Índice de ilustraciones por secciones
 Avsnittsbildregister

PU42267 A.1

1-	116
2-	117
3-	118
4-	119
5-	120
6-	121
7-	122
8-	123
9-	124
10-	126
11-	128

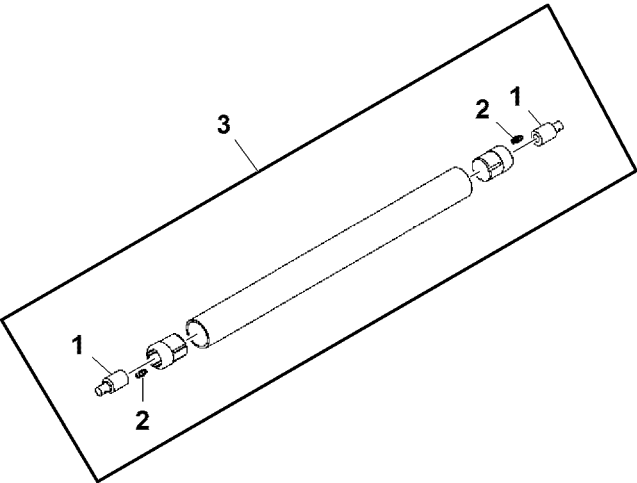


PU42267

Smooth Rollers, Extended, Hollow, 2 inch
Smooth Rollers, Extended, Hollow, 2 inch
Smooth Rollers, Extended, Hollow, 2 inch
Smooth Rollers, Extended, Hollow, 2 inch
Smooth Rollers, Extended, Hollow, 2 inch
Smooth Rollers, Extended, Hollow, 2 inch



PU15218 A.1



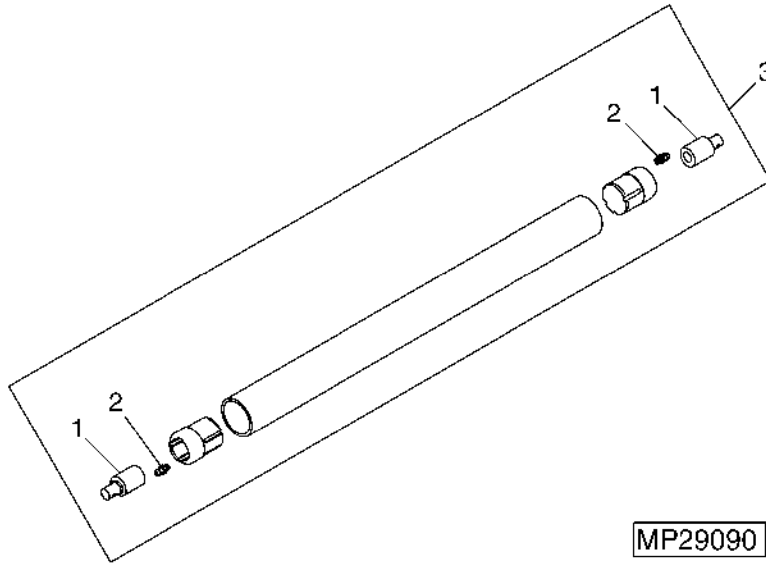
PU15218

Key	Part No.	Part Name	Qty.	Serial No.	Remarks
1	TCA22836	Ball Bearing	2		
2	JD7842	Lubrication Fitting	2		
3	BM18480	Roller Kit	1		

Smooth Rollers, Extended, Front
 Smooth Rollers, Extended, Front
 Smooth Rollers, Extended, Front
 Smooth Rollers, Extended, Front
 Smooth Rollers, Extended, Front
 Smooth Rollers, Extended, Front



MP29090 A.1



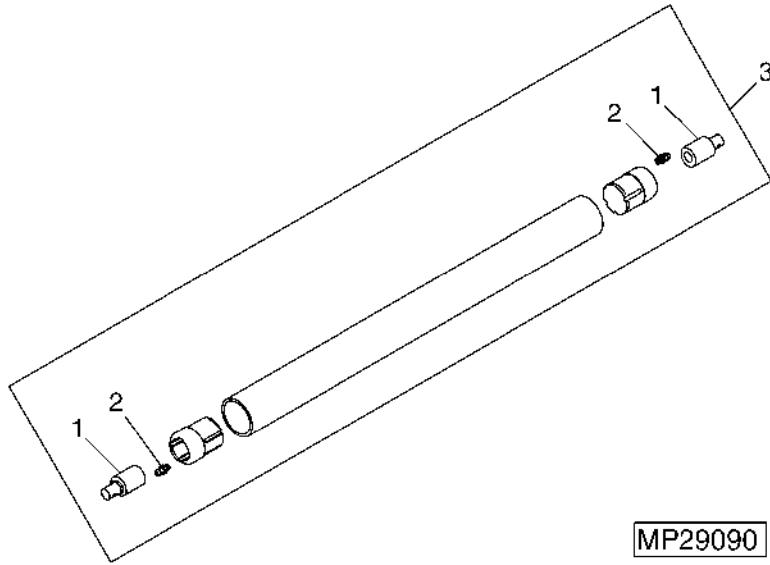
MP29090

Key	Part No.	Part Name	Qty.	Serial No.	Remarks
1	TCA22836	Ball Bearing	2		SUB FOR AA35741
2	JD7844	Lubrication Fitting	2		
3	BM18480	Roller Kit	1		SUB FOR AMT2876; Smooth Tube

Smooth Rollers, Extended, 2 inch
 Smooth Rollers, Extended, 2 inch
 Smooth Rollers, Extended, 2 inch
 Smooth Rollers, Extended, 2 inch
 Smooth Rollers, Extended, 2 inch
 Smooth Rollers, Extended, 2 inch



MP29090 A.1



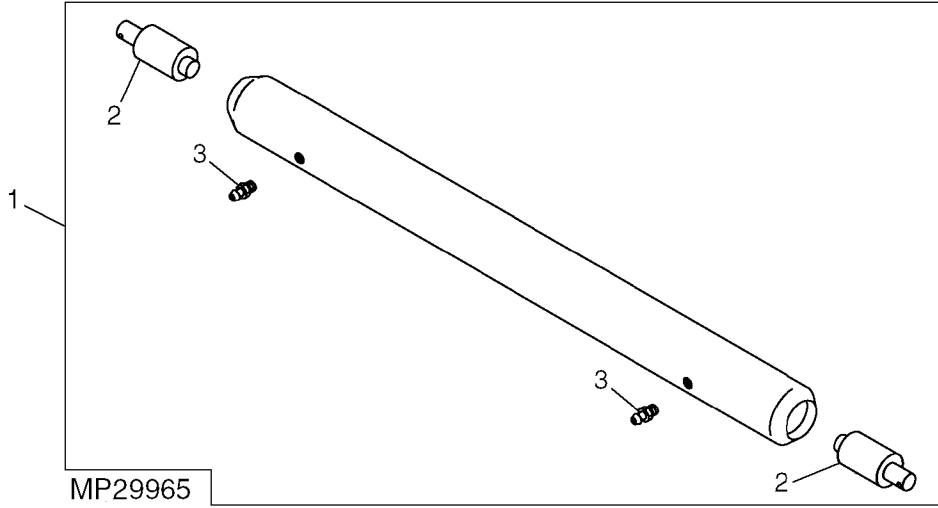
MP29090

Key	Part No.	Part Name	Qty.	Serial No.	Remarks
1	TCA22836	Ball Bearing	2		
2	JD7842	Lubrication Fitting	2		
3	BM18711	Roller Kit	1		

Smooth Rollers, Front
 Smooth Rollers, Front
 Smooth Rollers, Front
 Smooth Rollers, Front
 Smooth Rollers, Front
 Smooth Rollers, Front



MP29965 A.1

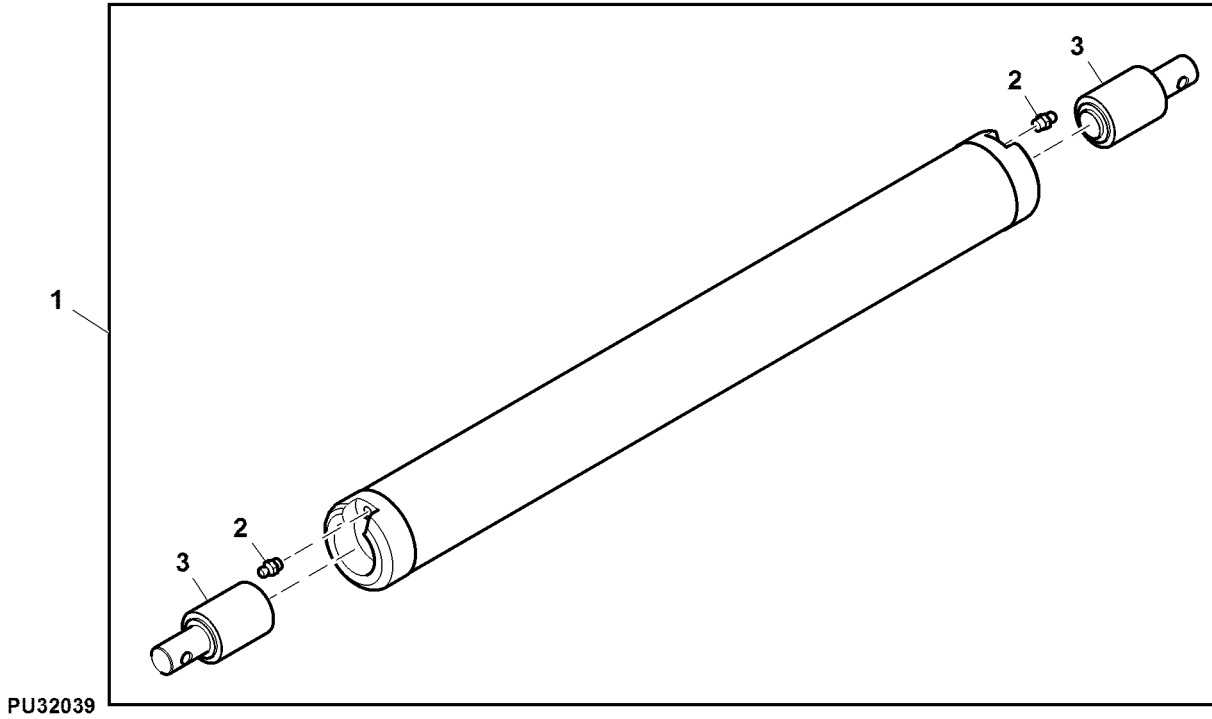


Key	Part No.	Part Name	Qty.	Serial No.	Remarks
1	BM18711	Roller Kit	1		SUB FOR AMT2878
2	TCA22836	Ball Bearing	2		SUB FOR AA35741
3	JD7842	Lubrication Fitting	2		

Attachment, Roller, 18 inch
 Attachment, Roller, 18 inch
 Attachment, Roller, 18 inch
 Attachment, Roller, 18 inch
 Attachment, Roller, 18 inch
 Attachment, Roller, 18 inch



PU32039 A.1

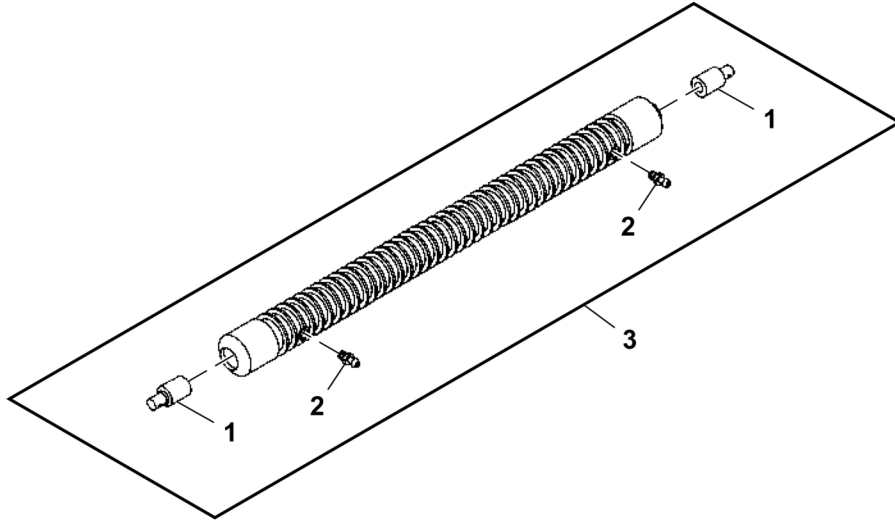


Key	Part No.	Part Name	Qty.	Serial No.	Remarks
1	BM24204	Roller Kit	1		
2	JD7844	Lubrication Fitting	2		
3	TCA22836	Ball Bearing	2		

Attachment, Grooved Rollers
 Attachment, Grooved Rollers
 Attachment, Grooved Rollers
 Attachment, Grooved Rollers
 Attachment, Grooved Rollers
 Attachment, Grooved Rollers



PU15220 A.1



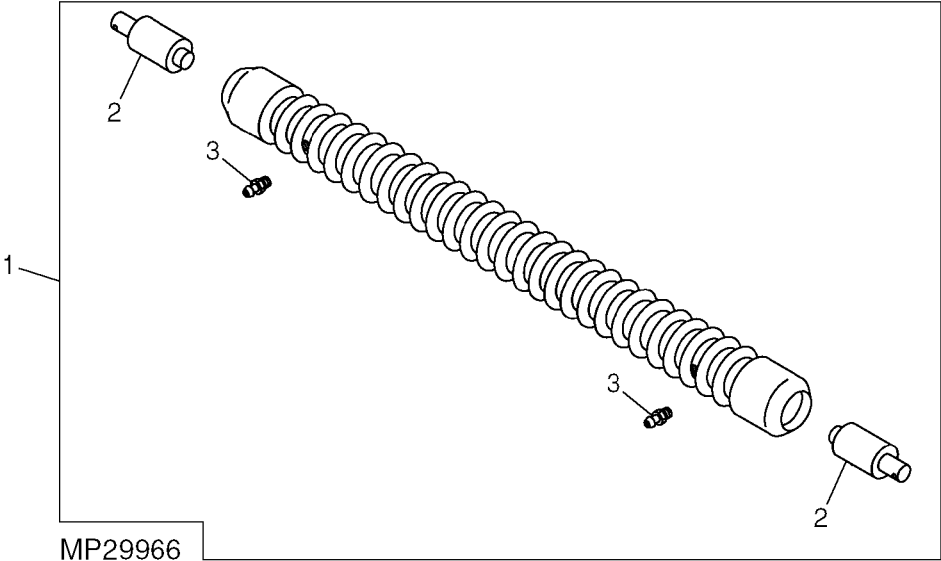
PU15220

Key	Part No.	Part Name	Qty.	Serial No.	Remarks
1	TCA22836	Ball Bearing	2		
2	JD7842	Lubrication Fitting	2		
3	BM18712	Kit	AR		

Grooved Front Rollers
Grooved Front Rollers
Grooved Front Rollers
Grooved Front Rollers
Grooved Front Rollers
Grooved Front Rollers



MP29966 A.1

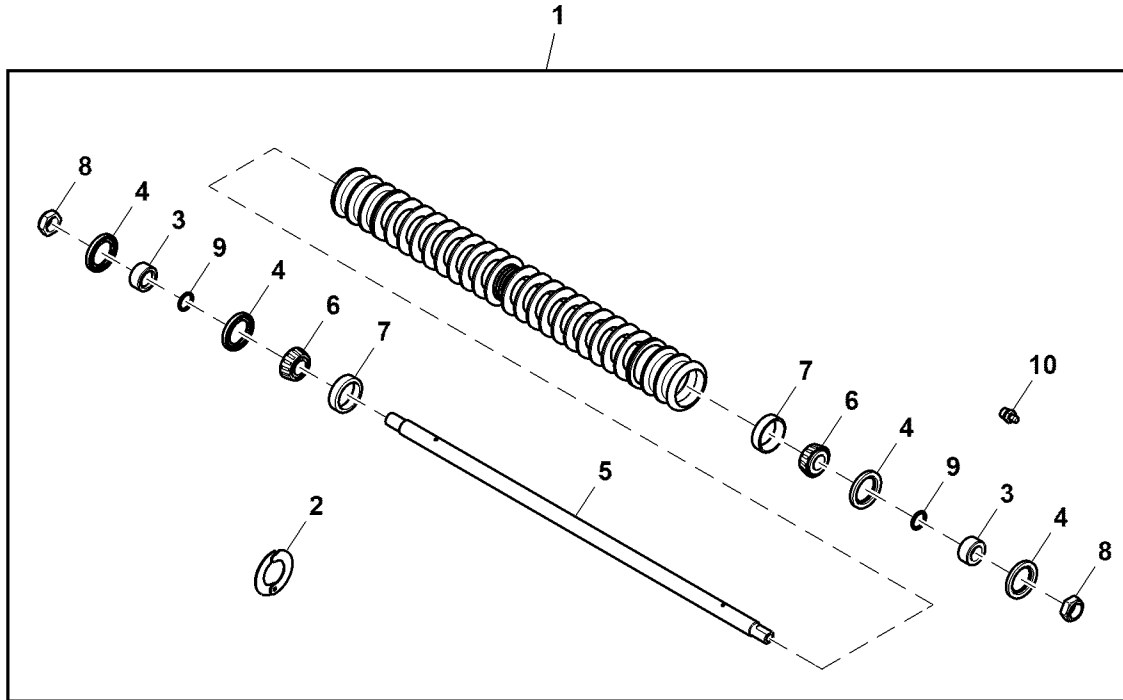


Key	Part No.	Part Name	Qty.	Serial No.	Remarks
1	BM18712	Mower Reel	1		SUB FOR AMT2879
2	TCA22836	Ball Bearing	2		SUB FOR AA35741
3	JD7842	Lubrication Fitting	2		

Grooved Roller Kit, 2.5 inch, QA5/QA7, 22 inch
 Grooved Roller Kit, 2.5 inch, QA5/QA7, 22 inch
 Grooved Roller Kit, 2.5 inch, QA5/QA7, 22 inch
 Grooved Roller Kit, 2.5 inch, QA5/QA7, 22 inch
 Grooved Roller Kit, 2.5 inch, QA5/QA7, 22 inch
 Grooved Roller Kit, 2.5 inch, QA5/QA7, 22 inch



PU38617 A.1

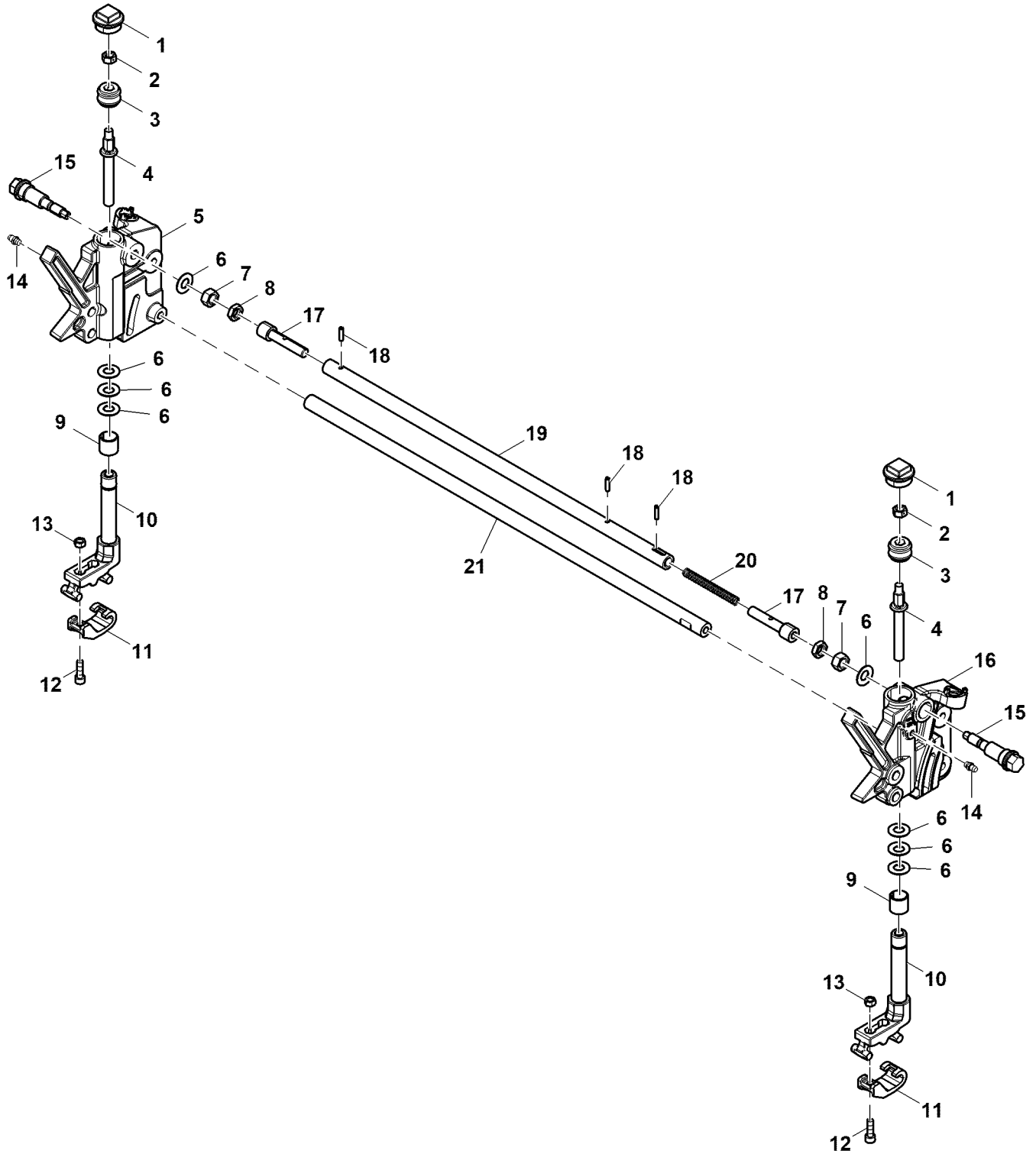


PU38617

Key	Part No.	Part Name	Qty.	Serial No.	Remarks
1	BM26408	Roller Kit	1		
2	AMT500	Washer	1		
3	ET15726	Sleeve	2		
4	ET15755	Seal	4		
5	ET17515	Shaft	1		
6	JD8188	Bearing Cone	2		
7	JD8226	Bearing Cup	2		
8	N101345	Lock Nut	2		
9	U46731	O-Ring	2		
10	JD7759	Lubrication Fitting	2		

Front Roller Adjusters
Front Roller Adjusters
Front Roller Adjusters
Front Roller Adjusters
Front Roller Adjusters
Front Roller Adjusters

PU36993 A.1

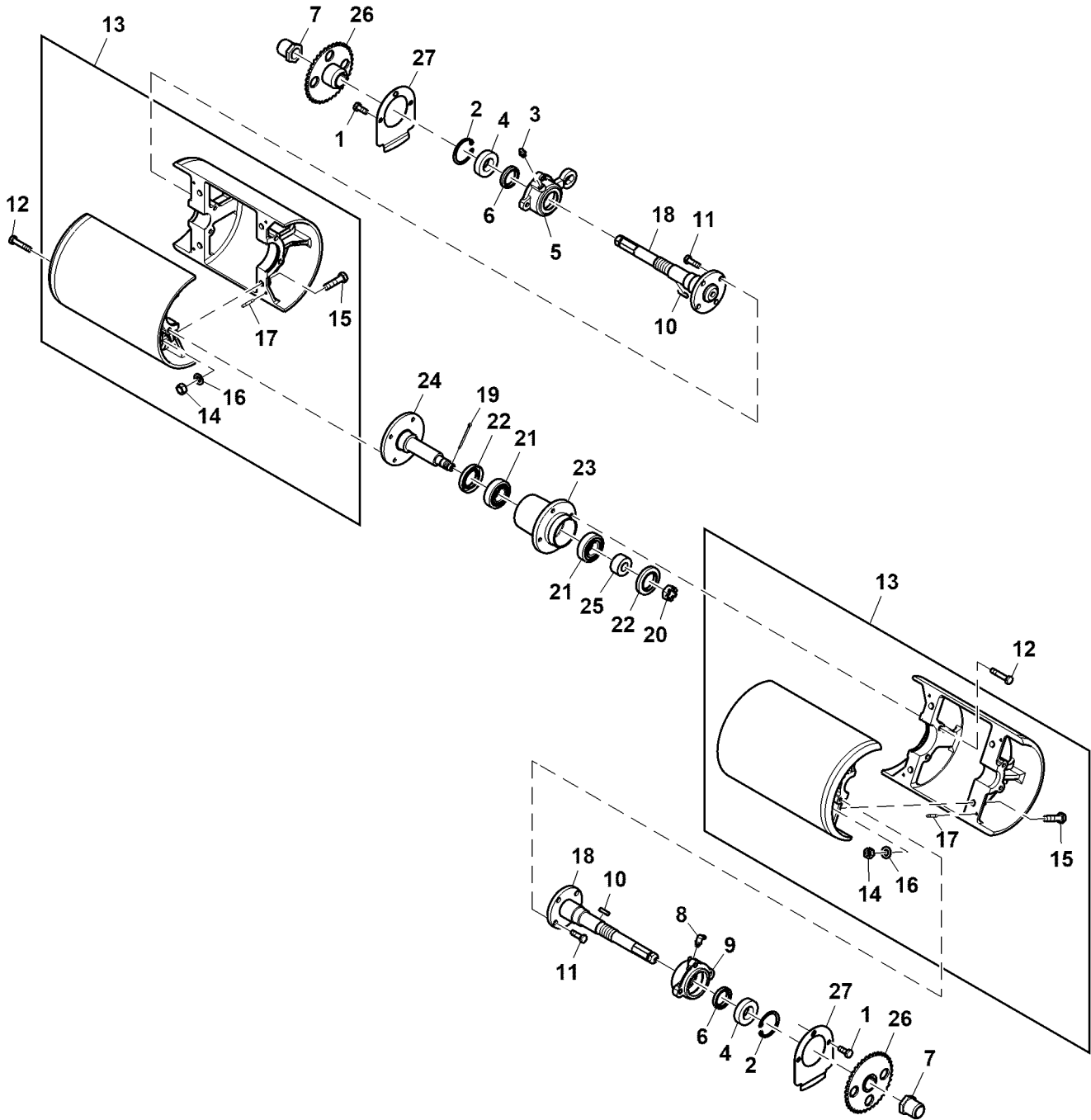


PU36993

Key	Part No.	Part Name	Qty.	Serial No.	Remarks
1	UC16102	Fitting	2		SUB FOR TCU24949
2	M148268	Lock Nut	2		
3	TCU40491	Worm Gear	2		Z= 20, SUB FOR TCU24683
4	TCU24328	Adjuster	2		
5	TCU27195	Panel	1		RH
6	ET16679	Spring Washer	8		
7	14M7274	Nut	2		M10
8	14M7152	Nut	2		M10
9	MT74	Bushing	2		
10	AUC13515	Adjuster	2		SUB FOR TCA19705
11	UC16110	Clamp	2		SUB FOR TCU27318
12	19M7603	Screw	4		M6 X 20
13	14M7272	Nut	2		M6
14	JD7844	Lubrication Fitting	2		
15	TCU26458	Worm Gear	2		
16	TCU27319	Panel	1		LH
17	TCU24958	Socket	2		
18	34M7094	Spring Pin	3		4 X 16 mm
19	TCU26729	Tube	1		Adjuster
20	TCU25398	Compression Spring	1		
21	UC13425	Rod	1		

Traction Roller
 Traction Roller
 Traction Roller
 Traction Roller
 Traction Roller

ETN195068A A.1

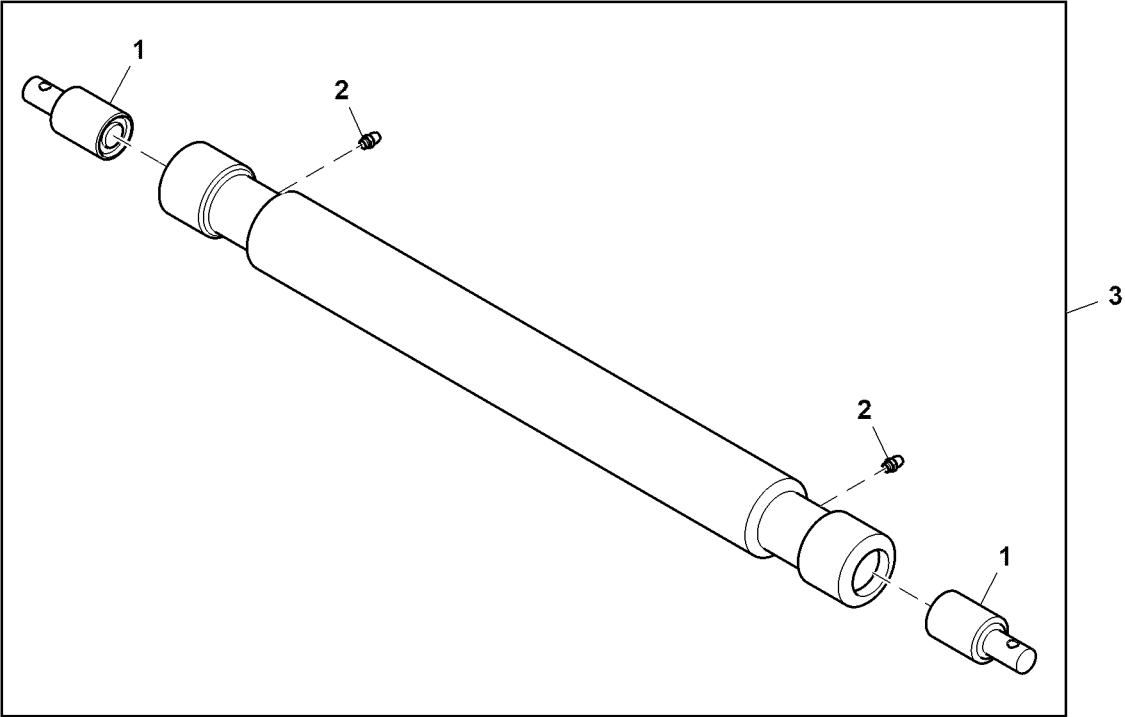


ETN195068A

Key	Part No.	Part Name	Qty.	Serial No.	Remarks
1	19M7881	Screw	5		M8 X 20
2	40M1863	Snap Ring	2		
3	JD7844	Lubrication Fitting	1		
4	JD9326	Ball Bearing	2		
5	MT6811	Housing	1		RH , Bearing
6	MT7250	Seal	2		Grease
7	MT7247	Nut	2		
8	ET17123	Lubrication Fitting	1		
9	MT6810	Housing	1		LH , Bearing
10	49M7049	Shaft Key	2		5 X 5 X 22 mm
11	19M7163	Cap Screw	8		M8 X 25
12	19M7323	Cap Screw	8		M8 X 40
13	AMT2767	Roller	2		
14	14M7274	Nut	8		M10
15	19M8637	Cap Screw	8		M10 X 40
16	24M7040	Washer	8		11 X 20 X 2 mm
17	25H729	Groove Pin	8		5/32" X 1"
18	AMT2906	Axle	2		Drum
19	11M7017	Cotter Pin	1		3,200 X 32 mm
20	14M7179	Nut	1		M16
21	AZ20217	Ball Bearing	2		
22	ET10285	Seal	2		
23	ET11079	Housing	1		Drum Bearing
24	ET11081	Spindle	1		
25	MT2176	Spacer	1		Roller
26	UC29268	Chain Sprocket	2		Z = 37, SUB FOR AMT2905
27	MT7066	Cover	2		Side Panel

Smooth Roller, W/ Bearings, 22 inch
 Smooth Roller, W/ Bearings, 22 inch
 Smooth Roller, W/ Bearings, 22 inch
 Smooth Roller, W/ Bearings, 22 inch
 Smooth Roller, W/ Bearings, 22 inch
 Smooth Roller, W/ Bearings, 22 inch

TC393985 A.1

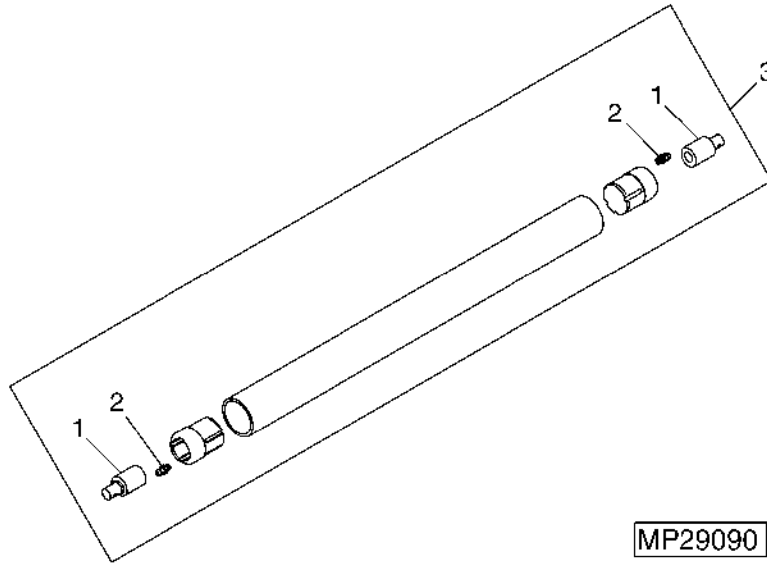


TC393985

Key	Part No.	Part Name	Qty.	Serial No.	Remarks
1	TCA22836	Ball Bearing	2		Integral Shaft
2	JD7842	Lubrication Fitting	2		
3	BUC10786	Roller	1		

Smooth Rollers, 2 inch
 Smooth Rollers, 2 inch
 Smooth Rollers, 2 inch
 Smooth Rollers, 2 inch
 Smooth Rollers, 2 inch
 Smooth Rollers, 2 inch

MP29090 A.1



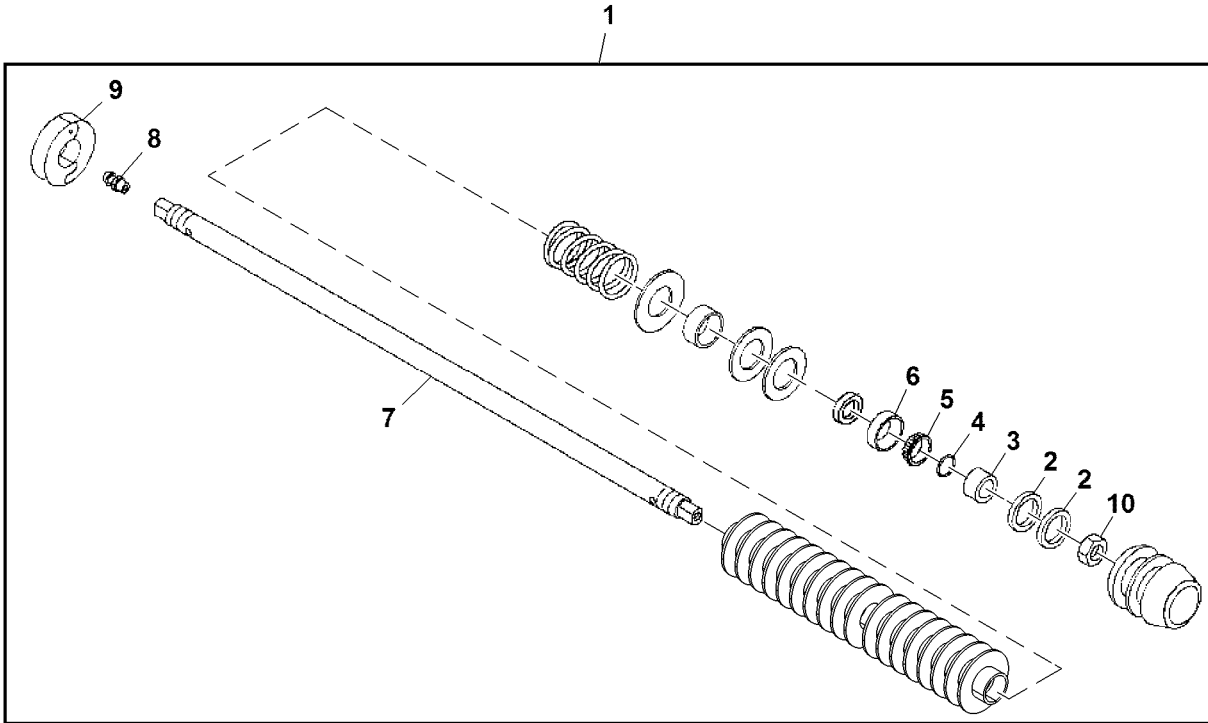
MP29090

Key	Part No.	Part Name	Qty.	Serial No.	Remarks
1	TCA22836	Ball Bearing	2		SUB FOR AA35741
2	JD7842	Lubrication Fitting	2		
3	BM18480	Roller Kit	AR		SUB FOR AMT2876; Smooth Tube Roller
	BM18711	Roller Kit	AR		SUB FOR AMT2878; Solid Smooth Roller

Heavy Duty Grooved Disc Front Roller Kit, 3 inch
 Heavy Duty Grooved Disc Front Roller Kit, 3 inch
 Heavy Duty Grooved Disc Front Roller Kit, 3 inch
 Heavy Duty Grooved Disc Front Roller Kit, 3 inch
 Heavy Duty Grooved Disc Front Roller Kit, 3 inch
 Heavy Duty Grooved Disc Front Roller Kit, 3 inch



PU32012 A.1

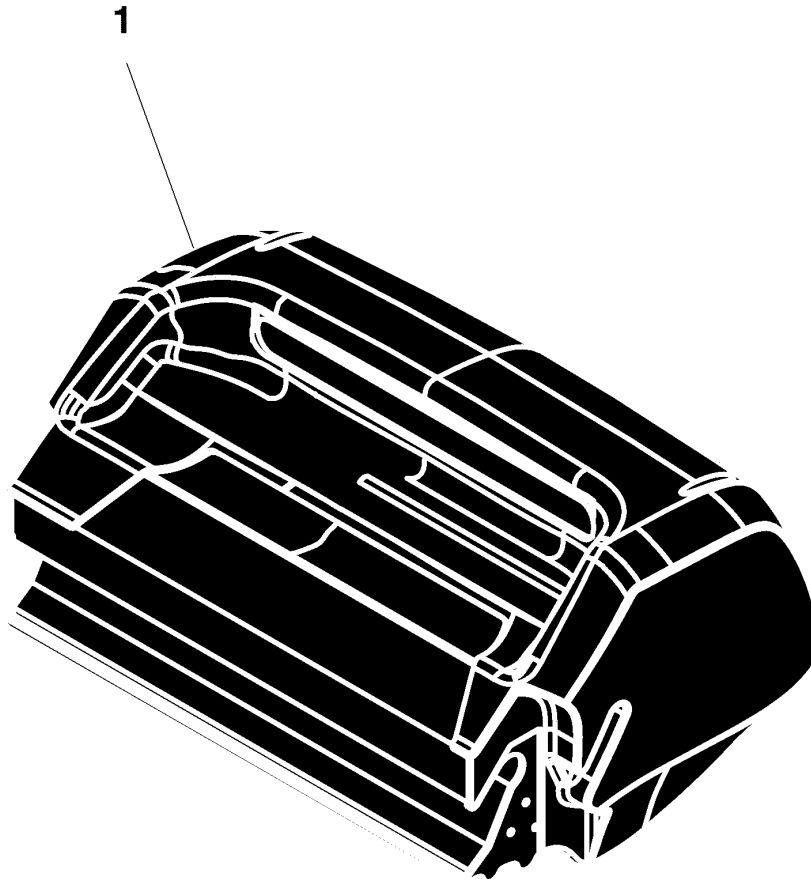


PU32012

Key	Part No.	Part Name	Qty.	Serial No.	Remarks
1	BM25317	Roller Kit	1		
2	ET15755	Seal	4		
3	ET15726	Sleeve	2		
4	U46731	O-Ring	2		
5	JD8188	Bearing Cone	2		
6	JD8226	Bearing Cup	2		
7	ET17515	Shaft	1		
8	JD7759	Lubrication Fitting	2		
9	AMT500	Washer	1		
10	N101345	Lock Nut	2		

Sectional Pictorial Index
Index d'illustrations par sections.
Gruppenbildindex
Indice illustrato delle sezioni
Índice de ilustraciones por secciones
Avsnittsbildregister

PU42268 A.1

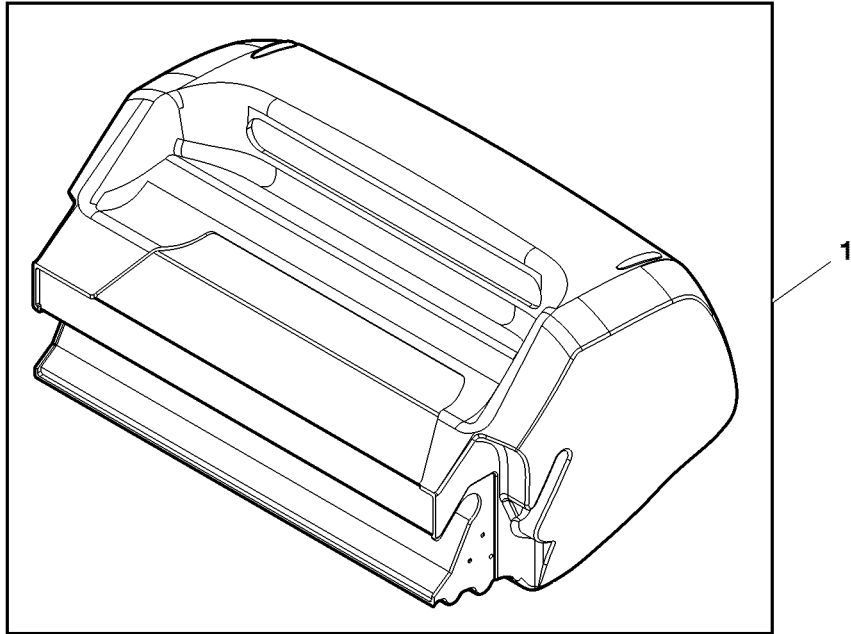


PU42268

Grass Catcher
Grass Catcher
Grass Catcher
Grass Catcher
Grass Catcher
Grass Catcher



PU05336 A.1



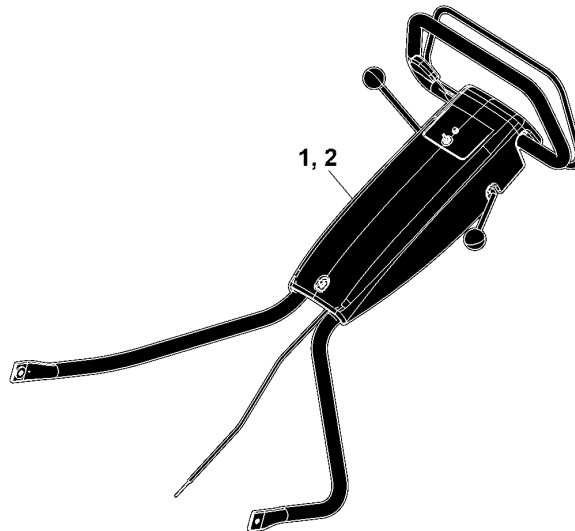
PU05336

Key	Part No.	Part Name	Qty.	Serial No.	Remarks
1	TCU28207	Grass Catcher	1		22 inch

Sectional Pictorial Index
Index d'illustrations par sections.
Gruppenbildindex
Indice illustrato delle sezioni
Índice de ilustraciones por secciones
Avsnittsbildregister

1-	134
1-	142
2-	136
3-	138
4-	140

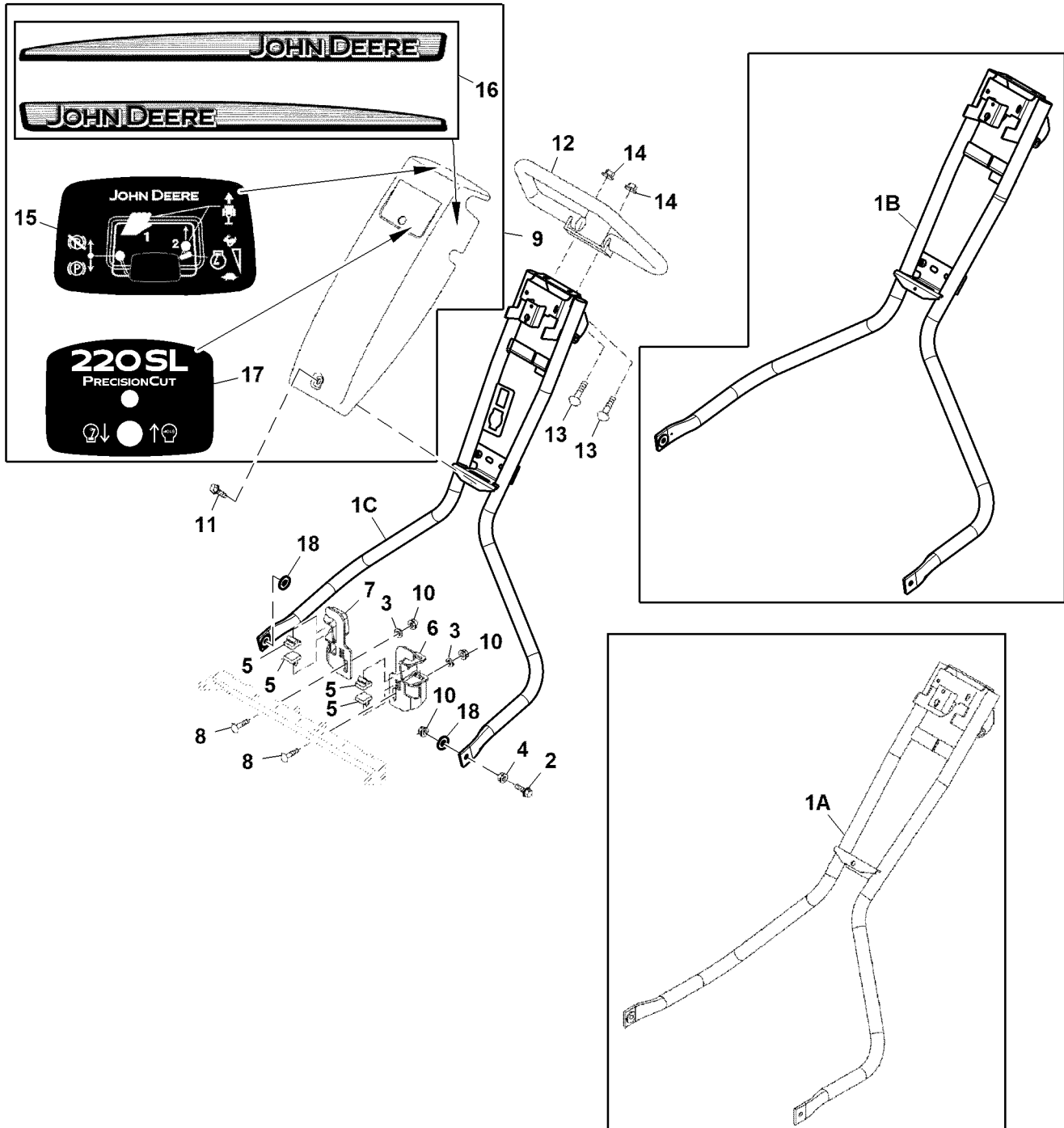
PU42040 A.1



PU42040

- Handlebar, Cover (- 130000)
- Handlebar, Cover (- 130000)
- Handlebar, Cover (- 130000)
- Handlebar, Cover (- 130000)
- Handlebar, Cover (- 130000)
- Handlebar, Cover (- 130000)

PU49498 A.1



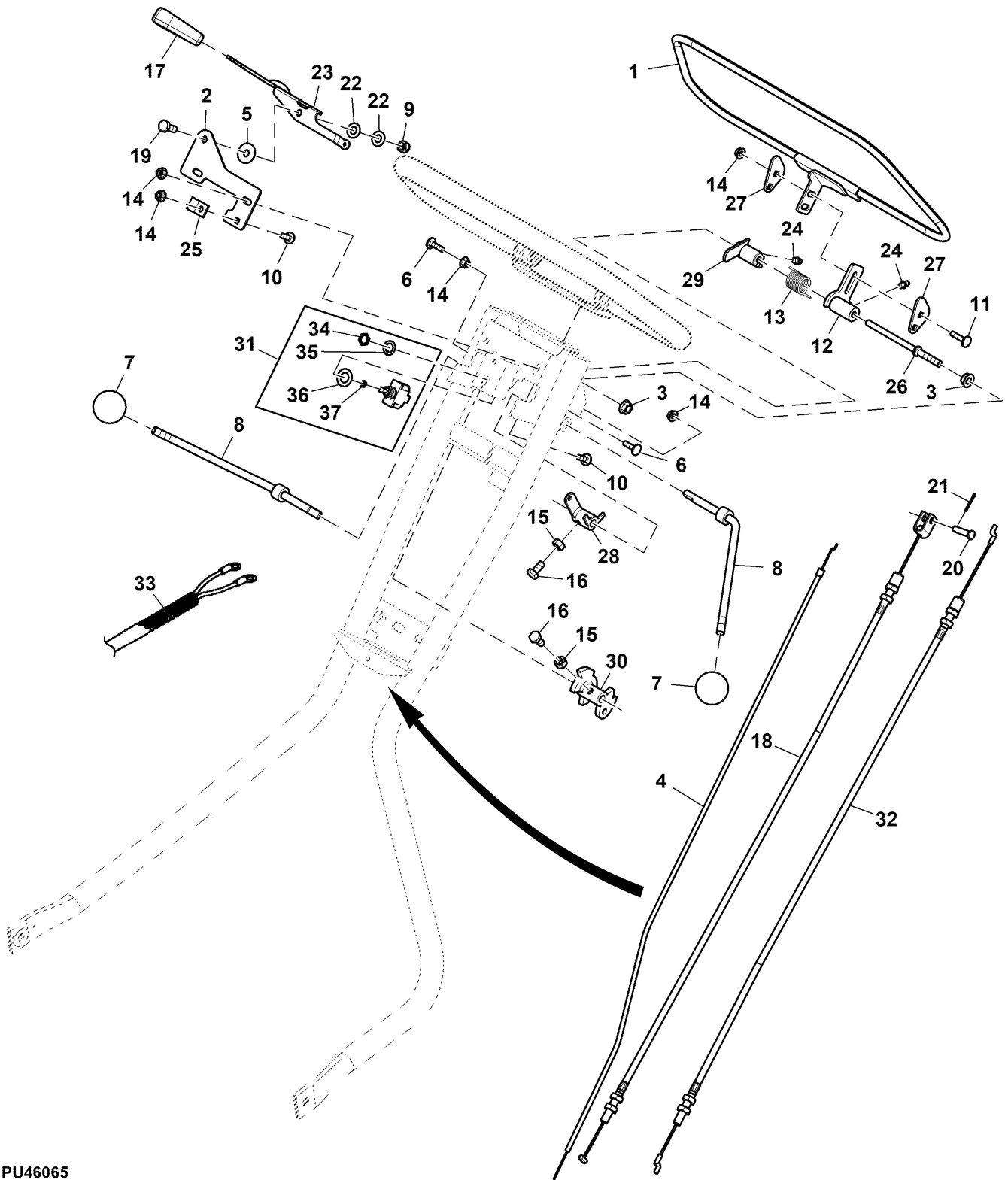
PU49498

Key	Part No.	Part Name	Qty.	Serial No.	Remarks
1A	AMT2901	Handlebar	1		
1B	AUC17727	Handlebar	1		SUB FOR AMT2901
1C	AUC18405	Handlebar	1		SUB FOR AUC17727
2	19M7835	Screw	2		M10 X 35
3	24M7178	Washer	2		10.500 X 30 X 2.500 mm
4	14M7296	Flange Nut	2		M10
5	E43961	Bumper	4		
6	AMT2858	Bracket	1		Adjuster, LH
7	AMT2857	Bracket	1		Adjuster, RH
8	03M7192	Bolt	2		M10 X 30
9	TCA20116	Cover Kit	1		Handlebar
10	14M7465	Lock Nut	4		M10
11	37M7458	Screw	2		M6 X 12
12	AMT1874	Handle	1		
13	03M7184	Bolt	2		M8 X 20
14	E63525	Nut	2		
15	MT7170	Label	1		Operating Instructions
16	TCU22578	Label	1		Trimstrip
17	TCU28222	Label	1		Control Panel Cover
18	24H1308	Washer	2		13/32" X 1" X 0.134"

Levers, Brake and Throttle Cables (- 130000)
 Levers, Brake and Throttle Cables (- 130000)
 Levers, Brake and Throttle Cables (- 130000)
 Levers, Brake and Throttle Cables (- 130000)
 Levers, Brake and Throttle Cables (- 130000)
 Levers, Brake and Throttle Cables (- 130000)



PU46065 A.1

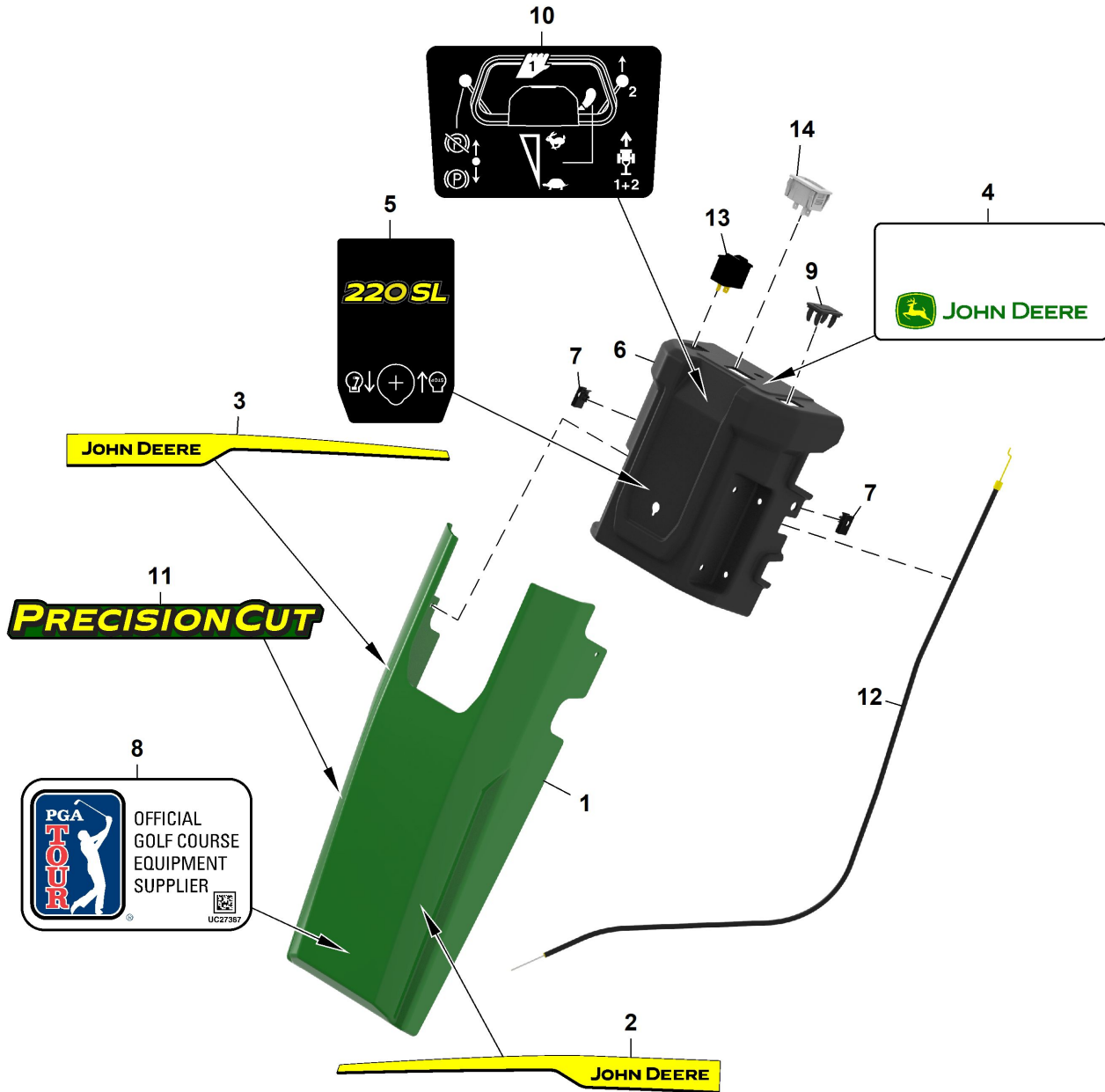


PU46065

Key	Part No.	Part Name	Qty.	Serial No.	Remarks
1	AMT2690	Bail	1		Welded Clutch
2	MT947	Plate	1		Throttle
3	E63525	Nut	2		
4	AMT1680	Push Pull Cable	1		Throttle
5	M41394	Washer	2		
6	03M7222	Bolt	2		M6 X 20
7	MT4294	Knob	2		Clutch and Brake
8	AMT583	Lever	2		Clutch and Brake
9	14M7166	Lock Nut	1		M8
10	03M7221	Bolt	3		M6 X 16
11	03M7232	Bolt	2		M6 X 25
12	AUC21754	Arm	1		SUB FOR AMT880, Engagement
13	MT1609	Torsion Spring	1		
14	E63524	Nut	7		
15	14M7273	Nut	2		M8
16	19M7162	Cap Screw	2		M8 X 16
17	MT4313	Knob	1		Throttle
18	AMT2741	Push Pull Cable	1		Clutch
19	19M7881	Screw	1		M8 X 20
20	T35986	Pin Fastener	1		
21	11M7009	Cotter Pin	1		2 X 16 mm
22	M48238	Spring Washer	2		
23	MT946	Lever	1		Throttle
24	JD7844	Lubrication Fitting	2		
25	R27573	Clamp	1		
26	MT1608	Stud	1		
27	TCU28638	Washer	2		
28	UC16135	Arm	1		SUB FOR MT7325, Brake
29	UC16133	Pawl	1		SUB FOR MT2938, Clutch
30	UC16134	Arm	1		SUB FOR MT7236, Clutch
31	AT106154	Toggle/Rocker Switch	1		
32	AMT2742	Push Pull Cable	1		Brake
33	AMT668	Wiring Harness	1		Components on Separate Page
34	R44097	Nut	2		
35	R44096	Lock Plate	1		Ring
36	12H292	Lock Washer	1		1/2"
37	12H321	Washer	2		0.138"

- Cover (130001 -)
- Cover (130001 -)
- Cover (130001 -)
- Cover (130001 -)
- Cover (130001 -)
- Cover (130001 -)

PU51384 A.1

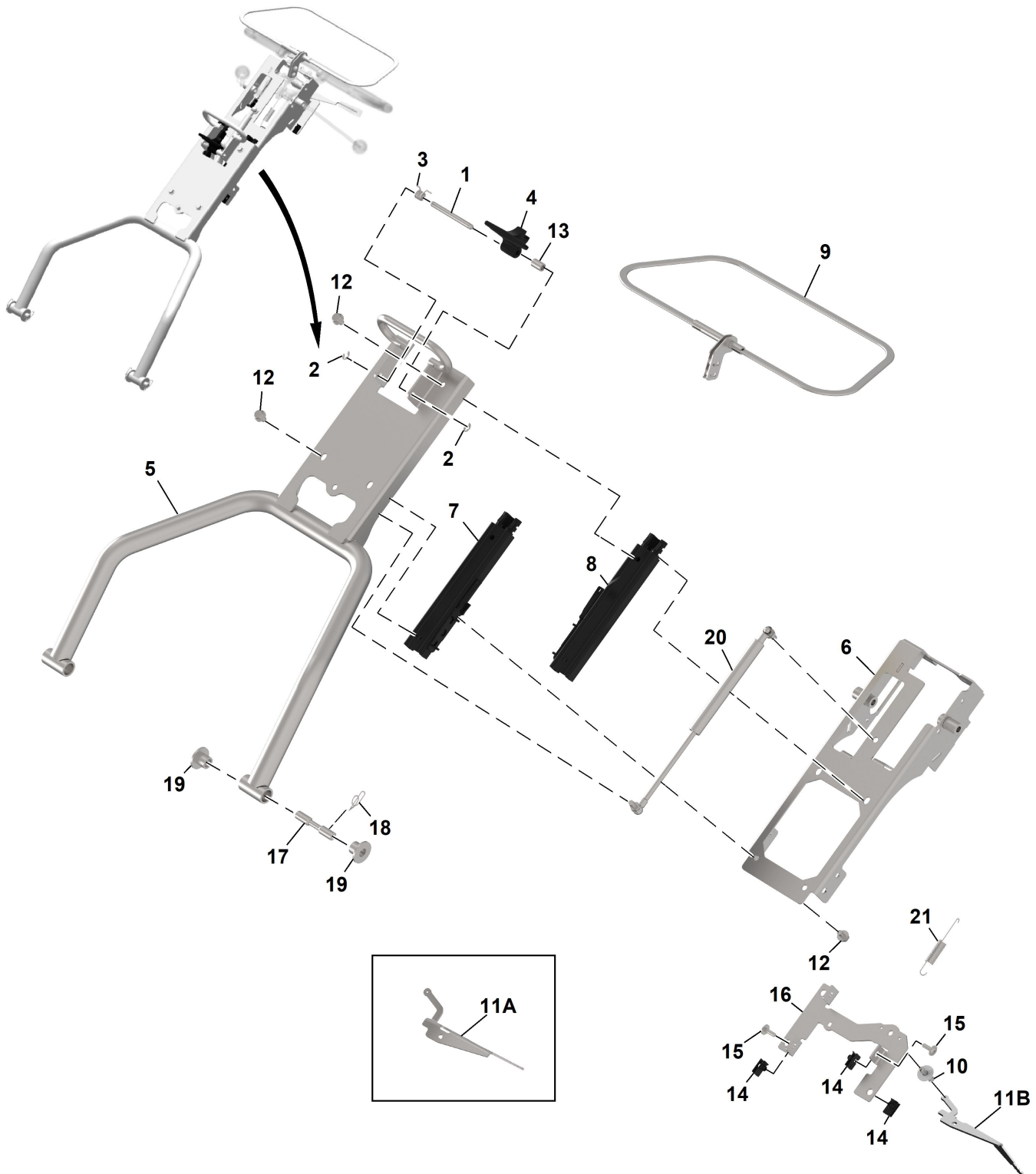


PU51384

Key	Part No.	Part Name	Qty.	Serial No.	Remarks
1	AUC20146	Cover	1		
2	UC31809	Label	1		LH, Trim Stripe
3	UC31808	Label	1		RH, Trim Stripe
4	UC32695	Label	1		WBG
5	UC32693	Label	1		220SL
6	UC32697	Cover	1		
7	M84972	Nut	1		
8	UC27387	Label	1		Official Golf Course
9	M115279	Plug	1		
10	UC33690	Label	1		WBG Controls
11	UC31810	Label	1		Precision Cut
12	AMT1680	Push Pull Cable	1		
13	AM117324	Switch	1		
14	AUC14026	Hour Meter	1		

- Handlebar (130001 -)
- Handlebar (130001 -)
- Handlebar (130001 -)
- Handlebar (130001 -)
- Handlebar (130001 -)
- Handlebar (130001 -)

PU54077 A.1

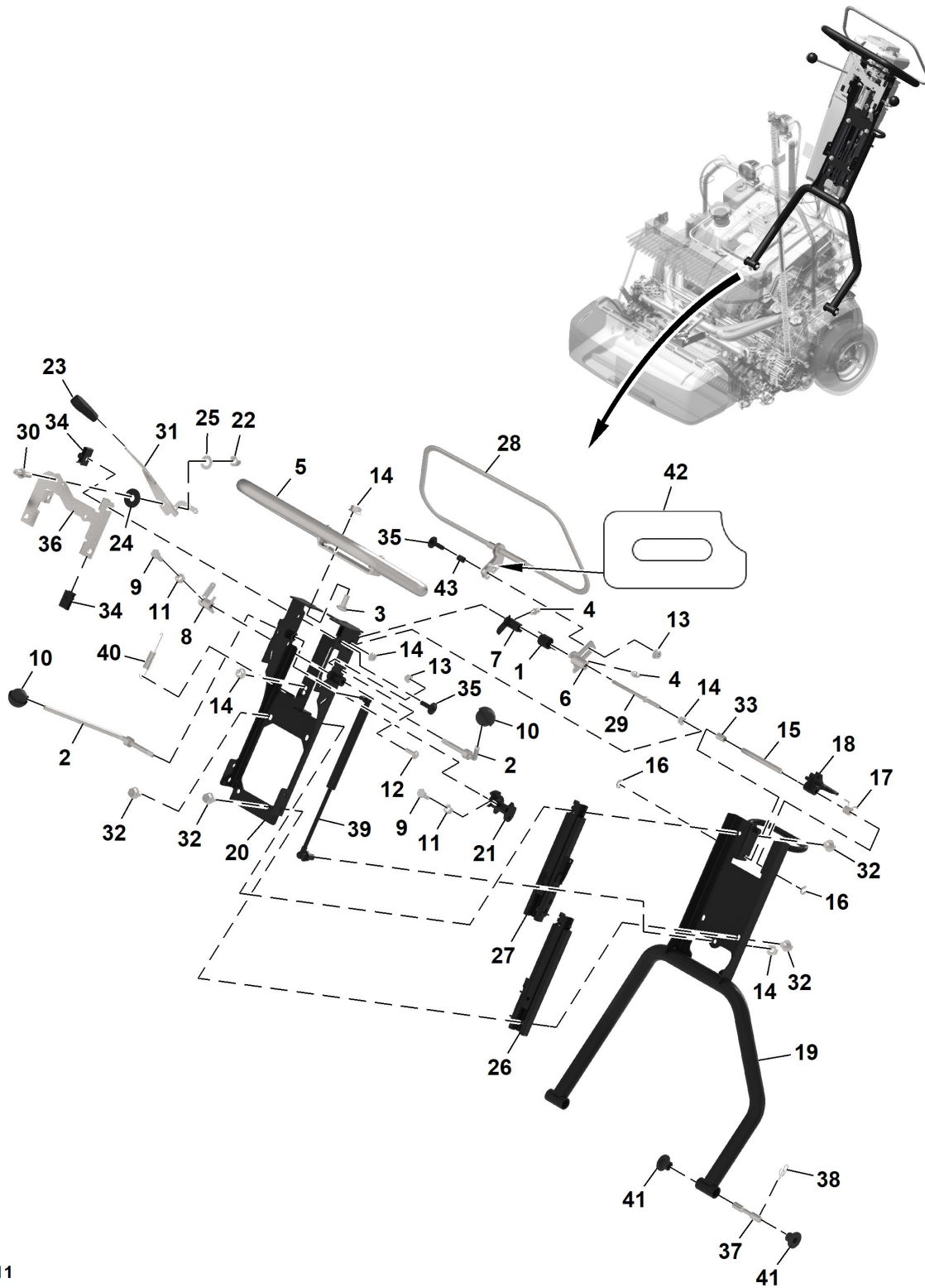


PU54077

Key	Part No.	Part Name	Qty.	Serial No.	Remarks
1	T391198	Pin	1		
2	40M7403	Snap Ring	2		
3	T394028	Torsion Spring	1		
4	T391181	Lever	1		
5	AUC19009	Support	1		Lower
6	AUC19010	Support	1		Upper
7	AT467827	Seat Slide Track Kit	1		LH, Arm Rest Slider
8	AT467826	Seat Slide Track Kit	1		RH, Arm Rest Slider
9	AUC21741	Bail	1		SUB FOR AUC19008, Throttle
10	UC32360	Shaft	1		
11A	UC32350	Control Lever	1		ORDER UC36869
11B	UC36869	Control Lever	1		
12	19M7864	Screw	8		M8 X 12
13	M112442	Bushing	1		
14	M84972	Nut	8		
15	M159780	Screw	3		
16	UC31441	Bracket	1		Throttle Base
17	UC34494	Pin	2		
18	TCU17574	Spring Locking Pin	4		
19	UC35391	Half Sleeve	4		
20	AUC19721	Gas Operated Cylinder	1		
21	M76442	Extension Spring	1		

Steering Arm, Handlebar
Steering Arm, Handlebar
Steering Arm, Handlebar
Steering Arm, Handlebar
Steering Arm, Handlebar
Steering Arm, Handlebar

PU53911 A.1



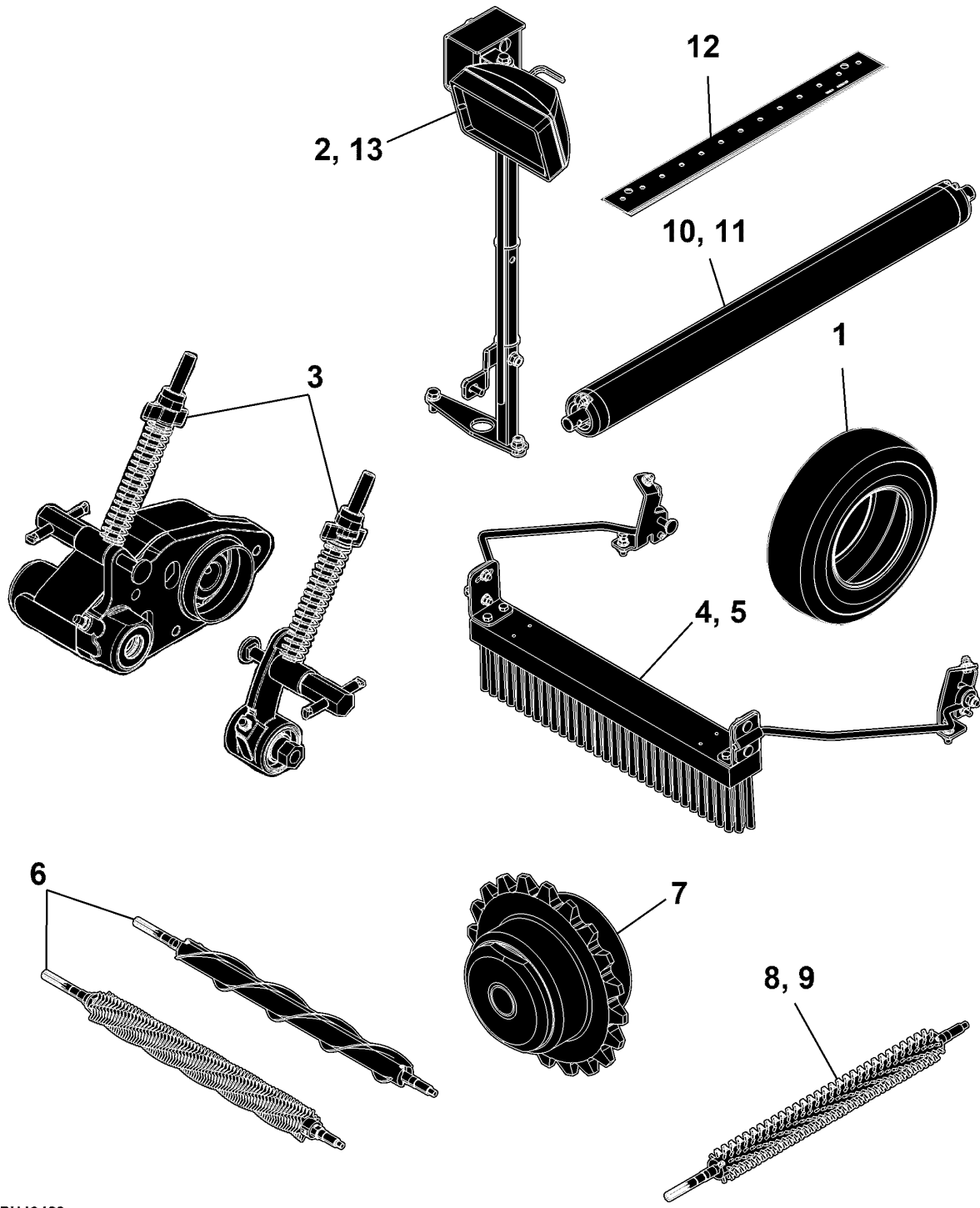
PU53911

Key	Part No.	Part Name	Qty.	Serial No.	Remarks
1	MT1609	Torsion Spring	1		Pawl
2	AMT583	Lever	2		Clutch and Brake
3	03M7184	Bolt	2		M8 X 20
4	JD7844	Lubrication Fitting	2		
5	AMT1874	Handle	1		
6	AUC21754	Arm	1		
7	UC16133	Pawl	1		
8	UC16135	Arm	1		Brake
9	19M7162	Cap Screw	2		M8 X 16
10	MT4294	Knob	2		
11	14M7273	Nut	2		M8
12	03M7222	Bolt	2		M6 X 20
13	E63524	Nut	4		
14	E63525	Nut	6		
15	T391198	Pin	1		
16	40M7403	Snap Ring	2		
17	T394028	Torsion Spring	1		
18	T391181	Lever	1		Vertical Adjustment
19	AUC19009	Support	1		Handlebar, Lower
20	AUC19010	Support	1		Handlebar, Upper
21	UC16134	Arm	1		Clutch
22	14M7166	Lock Nut	1		M8
23	MT4313	Knob	1		
24	M41394	Washer	2		
25	M48238	Spring Washer	2		
26	AT467827	Seat Slide Track Kit	1		LH
27	AT467826	Seat Slide Track Kit	1		RH
28	AUC21741	Bail	1		
29	MT1608	Stud	1		
30	UC32360	Shaft	1		
31	UC36869	Control Lever	1		Throttle Arm
32	19M7864	Screw	8		M8 X 12
33	M112442	Bushing	1		
34	M84972	Nut	8		
35	M159780	Screw	3		
36	UC31441	Bracket	1		Throttle Base
37	UC34494	Pin	2		
38	TCU17574	Spring Locking Pin	4		
39	AUC19721	Gas Operated Cylinder	1		Vertical Handlebar
40	M76442	Extension Spring	1		
41	UC35391	Half Sleeve	4		
42	UC36789	Label	2		Bail Isolator
43	UC36791	Bushing	2		

Sectional Pictorial Index
 Index d'illustrations par sections.
 Gruppenbildindex
 Indice illustrato delle sezioni
 Índice de ilustraciones por secciones
 Avsnittsbildregister

PU49422 A.1

1-	146
1-	148
1-	172
2-	150
2-	152
2-	170
3-	154
4-	156
5-	158
6-	160
7-	162
8-	163
9-	164
10-	165
10-	171
11-	166
12-	167
13-	168

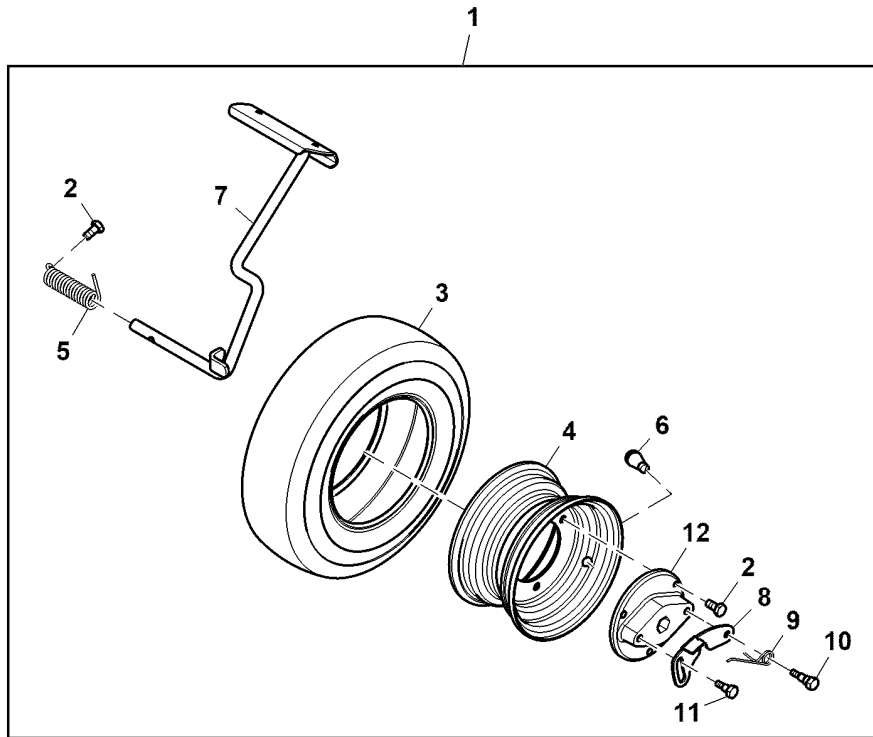


PU49422

Parking Stand, Wheels and Tires Kit
 Parking Stand, Wheels and Tires Kit
 Parking Stand, Wheels and Tires Kit
 Parking Stand, Wheels and Tires Kit
 Parking Stand, Wheels and Tires Kit
 Parking Stand, Wheels and Tires Kit



PU47146 A.1

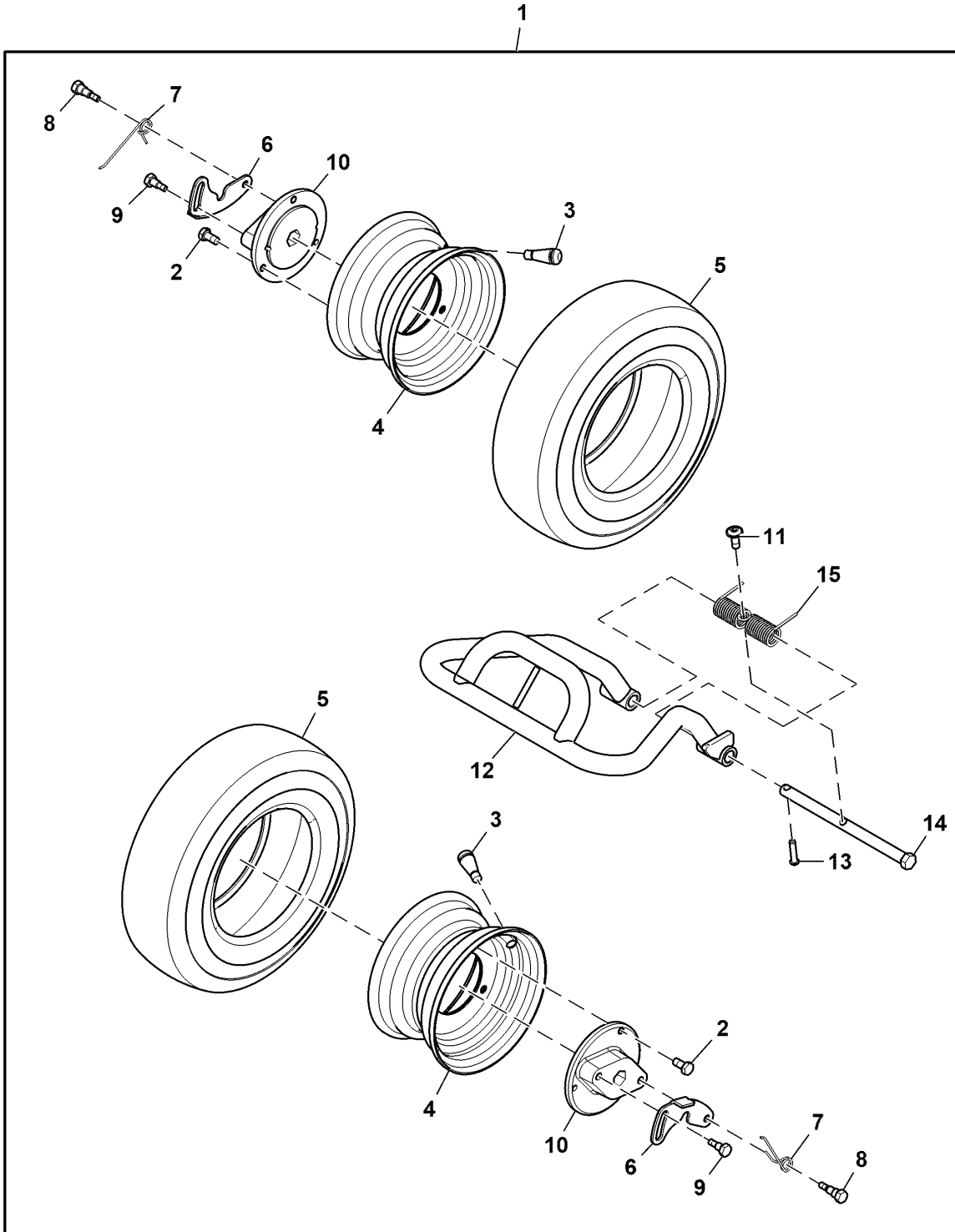


PU47146

Key	Part No.	Part Name	Qty.	Serial No.	Remarks
1	BM20578	Kit	1		
	BUC10949	Kit	1		
2	19M7162	Cap Screw	7		SUB FOR BM20578, Components on Separate Page
3	MT628	Tire	2		4.10 X 3.50 - 6 , 2 Ply
4	AMT952	Rim	2		4.1 - 6
5	ET10983	Torsion Spring	1		
6	AM30795	Tire Valve Stem	2		
7	AMT2816	Stand	1		
8	ET11089	Latch	2		
9	ET11090	Torsion Spring	2		
10	ET11379	Cap Screw	2		
11	ET11380	Cap Screw	2		
12	MT7184	Hub	2		

Parking Stand, Wheels and Tires Kit
 Parking Stand, Wheels and Tires Kit
 Parking Stand, Wheels and Tires Kit
 Parking Stand, Wheels and Tires Kit
 Parking Stand, Wheels and Tires Kit
 Parking Stand, Wheels and Tires Kit

PU46321 A.1

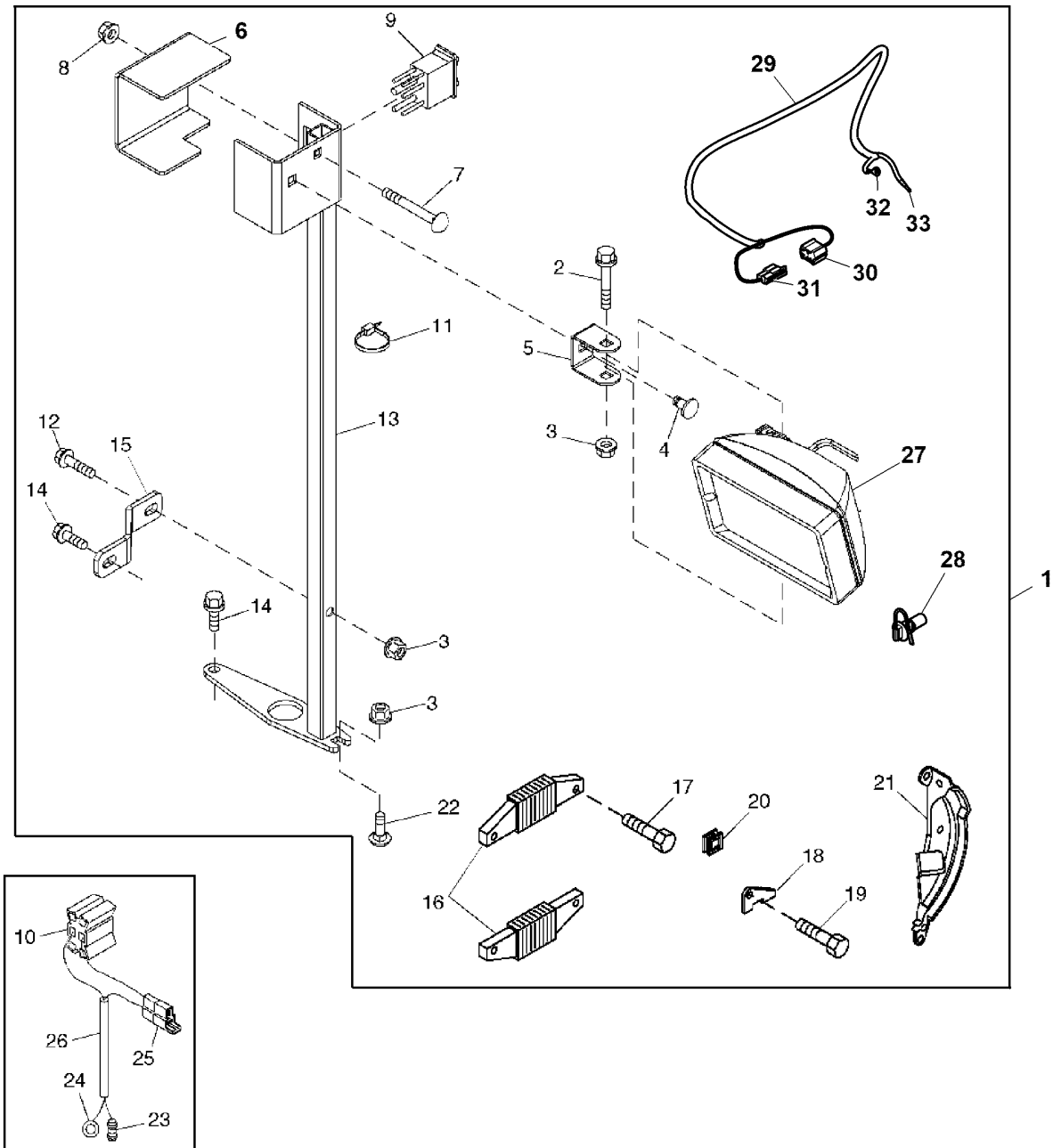


PU46321

Key	Part No.	Part Name	Qty.	Serial No.	Remarks
1	BUC10949	Kit	1		
2	19M7162	Cap Screw	6		M8 X 16
3	AM30795	Tire Valve Stem	2		
4	AMT952	Rim	2		4.1 - 6
5	MT628	Tire	2		4.10 X 3.50 - 6, 2 Ply
6	ET11089	Latch	2		
7	ET11090	Torsion Spring	2		
8	ET11379	Cap Screw	2		
9	ET11380	Cap Screw	2		
10	MT7184	Hub	2		
11	19M8599	Screw	1		M8 X 20
12	AUC17507	Stand	1		
13	DZ105460	Quick Lock Pin	1		
14	UC28536	Pin	1		
15	UC29133	Torsion Spring	1		

Light Kit
 Light Kit
 Light Kit
 Light Kit
 Light Kit
 Light Kit

PU47205 A.1

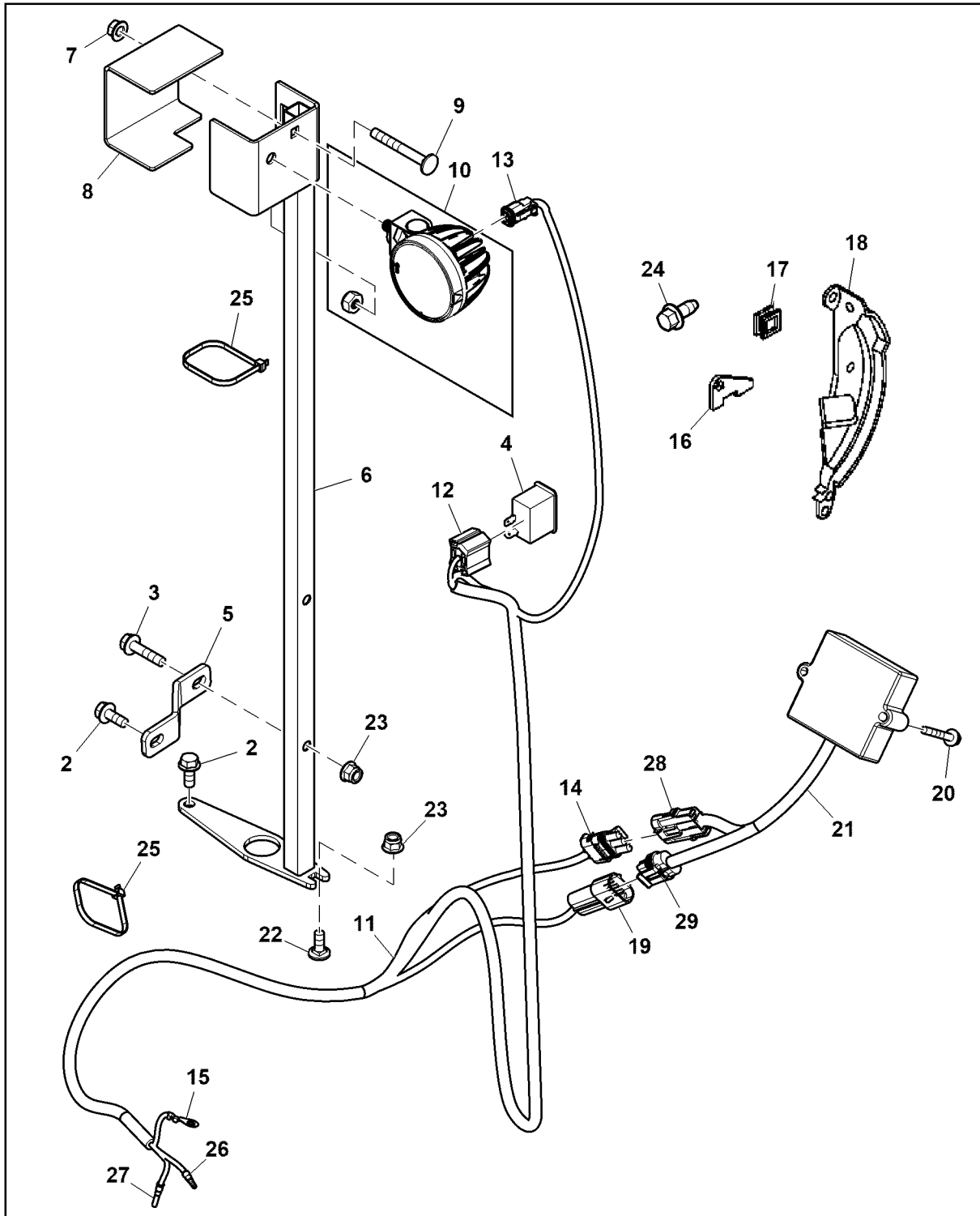


PU47205

Key	Part No.	Part Name	Qty.	Serial No.	Remarks
1	BM20579	Kit	1		
	BUC10782	Kit	1		
2	19M8319	Screw	1		SUB FOR BM20579, Components on Separate Page
3	14M7396	Lock Nut	4		M8 X 50
4	03M7183	Bolt	1		M8
5	MT3437	Clamp	1		M8 X 16
6	MT3436	Bracket	1		Cover
7	03M7224	Bolt	1		M8 X 65
8	14M7298	Flange Nut	1		M8
9	AM117324	Switch	1		Headlight
10	T34067	Elec. Connector Terminal	1		SUB FOR R65597, Switch
	M71442	Elec. Connector Terminal	2		
11	M73027	Tie Band	3		
12	19M7897	Screw	1		M8 X 35
13	AMT2768	Leg	1		Front
14	19M7866	Screw	3		M8 X 20
15	MT7090	Bracket	1		Rear
16	AM124630	Field Winding Coil	1		12 V
17	37M7104	Screw	4		M6 X 30
18	M131633	Clamp	1		
19	37M7467	Screw	1		M5 X 12
20	M131634	Grommet	1		
21	M131635	Plate	1		Side
22	03M7184	Bolt	1		M8 X 20
23	Elec. Connector Terminal	1		Engine Coil AC
24	Elec. Connector Terminal	1		Ground
25	T28586	Elec. Connector Housing	1		Lamp
	T34067	Elec. Connector Terminal	2		
26	AMT2889	Headlamp Wiring Harness	1		
	57M7125	Fuse	1		5 A
27	AM108133	Headlight	1		13.2 V, INCLUDES AT130104
28	AT130104	Bulb	1		13.2 V
29	AUC17530	Wiring Harness	1		SUB FOR AMT2889, Head Lamp
30	57M9361	Elec. Connector Housing	1		XS0003, Work Light Switch
	57M9200	Elec. Connector Terminal	2		Cavity C, D
31	T28586	Elec. Connector Housing	1		XE0001, Work Light
	57M11323	Elec. Connector Terminal	2		Cavity A, B
32	57M11182	Elec. Connector Terminal	1		XL0001- 2, Engine Coil Ground
33	Elec. Connector Terminal	1		XL0001-1, Engine Coil AC

LED Light Kit
 LED Light Kit
 LED Light Kit
 LED Light Kit
 LED Light Kit
 LED Light Kit

PU50383 A.1



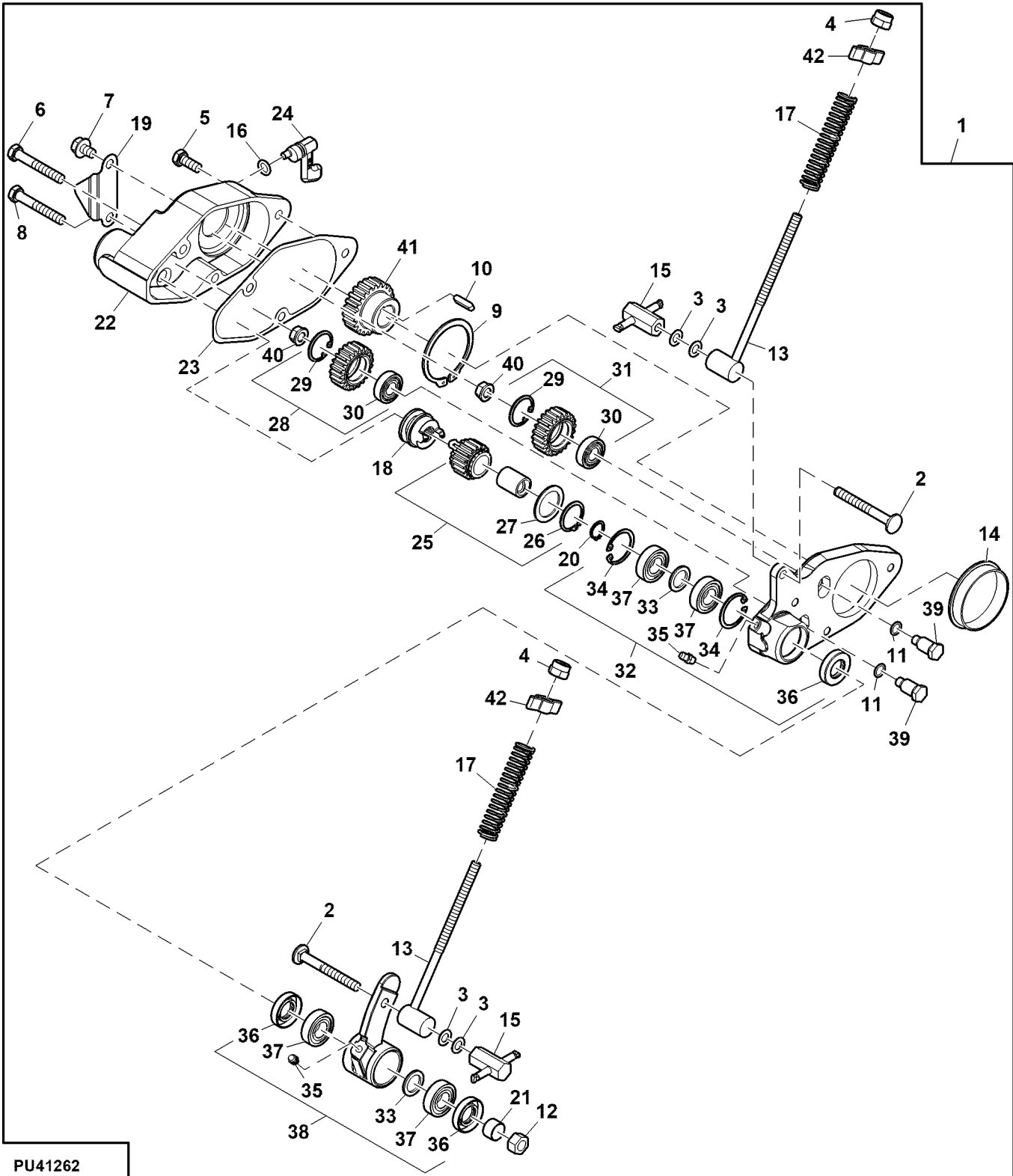
PU50383

Key	Part No.	Part Name	Qty.	Serial No.	Remarks
1	BUC10782	Light Kit	1		ORDER BUC11326, M131633, M131634, M131635, UC27985 AND 37M7059
	BUC11326	Light Kit	1		
2	19M7866	Screw	3		M8 X 20
3	19M7897	Screw	1		M8 X 35
4	AM117324	Switch	1		High Beam
5	MT7090	Bracket	1		Leg Support
6	AUC15082	Leg	1		
7	14M7298	Flange Nut	1		M8
8	MT3436	Cover	1		Leg Support Bracket
9	03M7224	Bolt	1		M8 X 65
10	CXT13734	Floodlamp	1		12 V
11	AUC17531	Headlamp Wiring Harness	1		
12	57M9361	Elec. Connector Housing	1		XS0005, Worklight Switch
	57M9200	Elec. Connector Terminal	2		Cavity C, D
13	57M7534	Elec. Connector Housing	1		XE0001, Worklight
	R78065	Elec. Connector Terminal	2		Cavity 1, 2
	57M7620	Electrical Connector Assy	1		
14	RE12364	Elec. Connector Housing	1		XX0001-1, Regulator Rectifier AC
	R78060	Elec. Connector Terminal	2		Cavity A, C
	57M9218	Elec. Connector Seal	2		Cavity A, C
	R78064	Elec. Connector Cavity Plug	1		Cavity B
15	57M15737	Elec. Connector Terminal	1		GND0001, Engine Coil Ground
16	M131633	Clamp	1		USE WITH BUC11326
17	M131634	Grommet	1		USE WITH BUC11326
18	M131635	Plate	1		Side, USE WITH BUC11326
19	Elec. Connector Housing	1		XX0002-1, Regulator Rectifier DC
20	19M7797	Screw	2		M6 X 40
21	UC27721	Voltage Regulator	1		14 V
22	03M7184	Bolt	1		M8 X 20
23	14M7396	Lock Nut	2		M8
24	37M7059	Screw	4		M5 X 12, USE WITH BUC11326
25	H77698	Tie Band	6		SUB FOR M78480
26	57M10145	Elec. Connector Terminal	1		XL0001-2, Engine Coil AC Ground
27	Elec. Connector Terminal	1		XL0001-1, Engine Coil AC
28	R78054	Electrical Connector Assy	1		Regulator Rectifier AC
	R78061	Elec. Connector Terminal	1		
	57M9216	Elec. Connector Seal	1		
29	R104570	Electrical Connector Assy	1		Regulator Rectifier DC
	R104933	Elec. Connector Terminal	1		
30	UC27985	Field Winding Coil	2		Not Illustrated, USE WITH BUC11326

Greens Tender Conditioners Rotary Brush Drive Kit
 Greens Tender Conditioners Rotary Brush Drive Kit
 Greens Tender Conditioners Rotary Brush Drive Kit
 Greens Tender Conditioners Rotary Brush Drive Kit
 Greens Tender Conditioners Rotary Brush Drive Kit
 Greens Tender Conditioners Rotary Brush Drive Kit



PU41262 A.1



PU41262

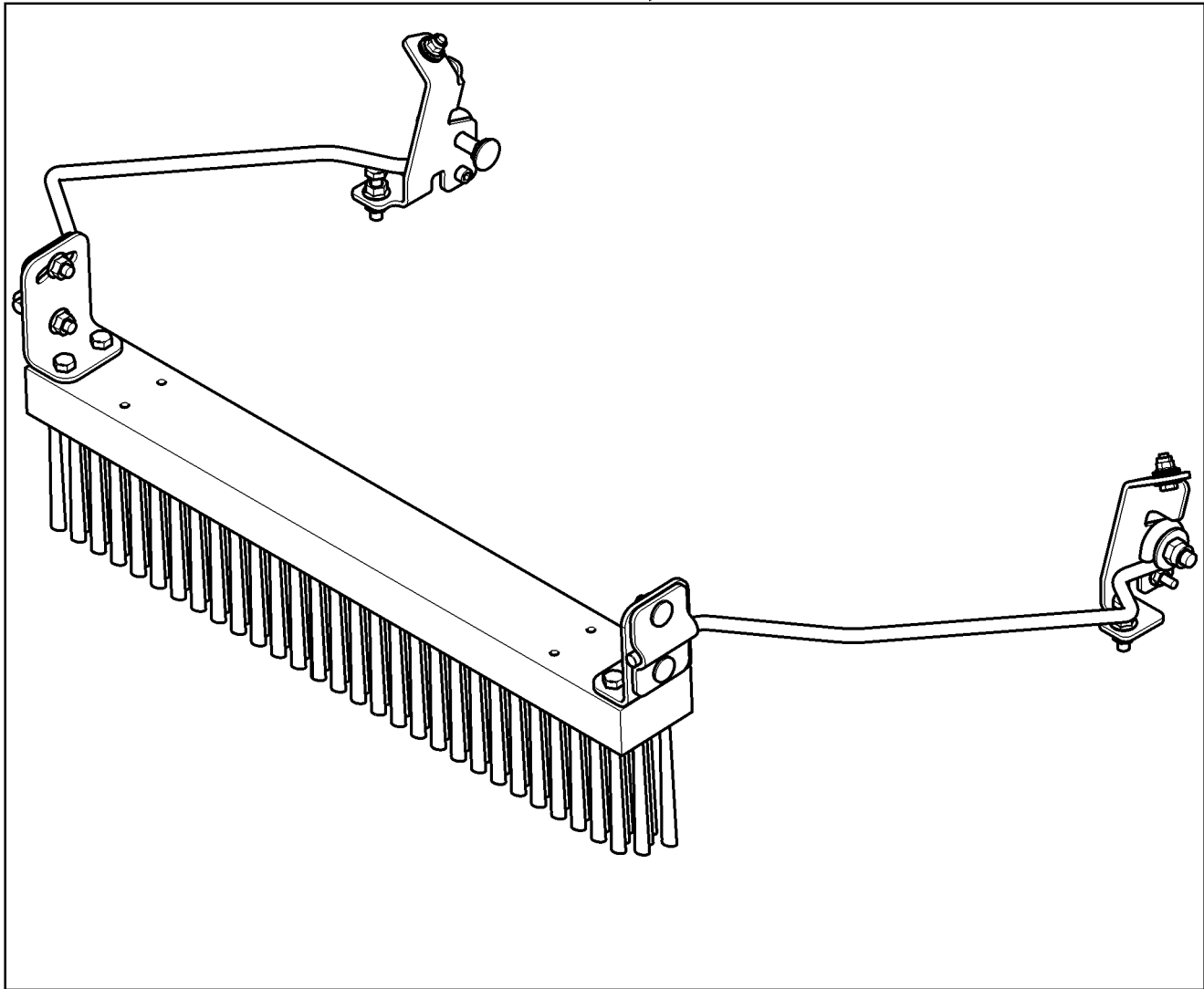
Key	Part No.	Part Name	Qty.	Serial No.	Remarks
1	BUC10524	Kit	1		SUB FOR BM23443
2	03M7258	Bolt	2		M8 X 70
3	12M7032	Lock Washer	4		8.400 mm
4	14M7396	Lock Nut	2		M8
5	19M7139	Cap Screw	1		M8 X 20
6	19M7165	Cap Screw	1		M8 X 55
7	19M7864	Screw	1		M8 X 12
8	19M8319	Screw	1		M8 X 50
9	40M7186	Snap Ring	1		
10	49M7049	Shaft Key	1		5 X 5 X 22 mm
11	A3917R	O-Ring	2		
12	A51212	Lock Nut	1		
13	AMT1521	Adjuster	2		
14	ET11065	Bushing	1		
15	ET11356	Nut	2		
16	F3353R	O-Ring	1		
17	MT1210	Compression Spring	2		
18	MT6821	Shift Collar	1		
19	MT6825	Bracket	1		
20	MT6901	Snap Ring	1		
21	MT6907	Spacer	1		
22	MT7093	Cover	1		Greens Tender Conditioner Drive
23	MT7095	Gasket	1		Brush Drive
24	UC16472	Eccentric	1		SUB FOR MT7291, Handle
25	TCA16576	Gear	1		W/ Thurst Washer
26	40M7195	Snap Ring	1		
27	MT6833	Washer	1		
28	TCA16577	Idler Gear	1		W/ Bearings
29	40M7085	Snap Ring	2		
30	ET16027	Ball Bearing	2		
31	TCA16578	Idler Gear	1		W/ Bearings
32	TCA19986	Housing	1		USE WITH BM23443, W/ Bearings
33	24M3527	Washer	2		17 X 24 X 2 mm
34	40M1856	Snap Ring	2		
35	JD7844	Lubrication Fitting	2		
36	MT6828	Seal	3		
37	MT6909	Ball Bearing	4		
38	AUC16891	Bearing With Housing	1		SUB FOR TCA19987
39	TCU13001	Bolt	2		
40	TCU14151	Nut	2		
41	TCU21548	Gear	1		Z = 27
42	UC16113	Adjuster	2		SUB FOR TCU24707

Attachment, Push Broom
Attachment, Push Broom
Attachment, Push Broom
Attachment, Push Broom
Attachment, Push Broom
Attachment, Push Broom



BM23449 A.1

1

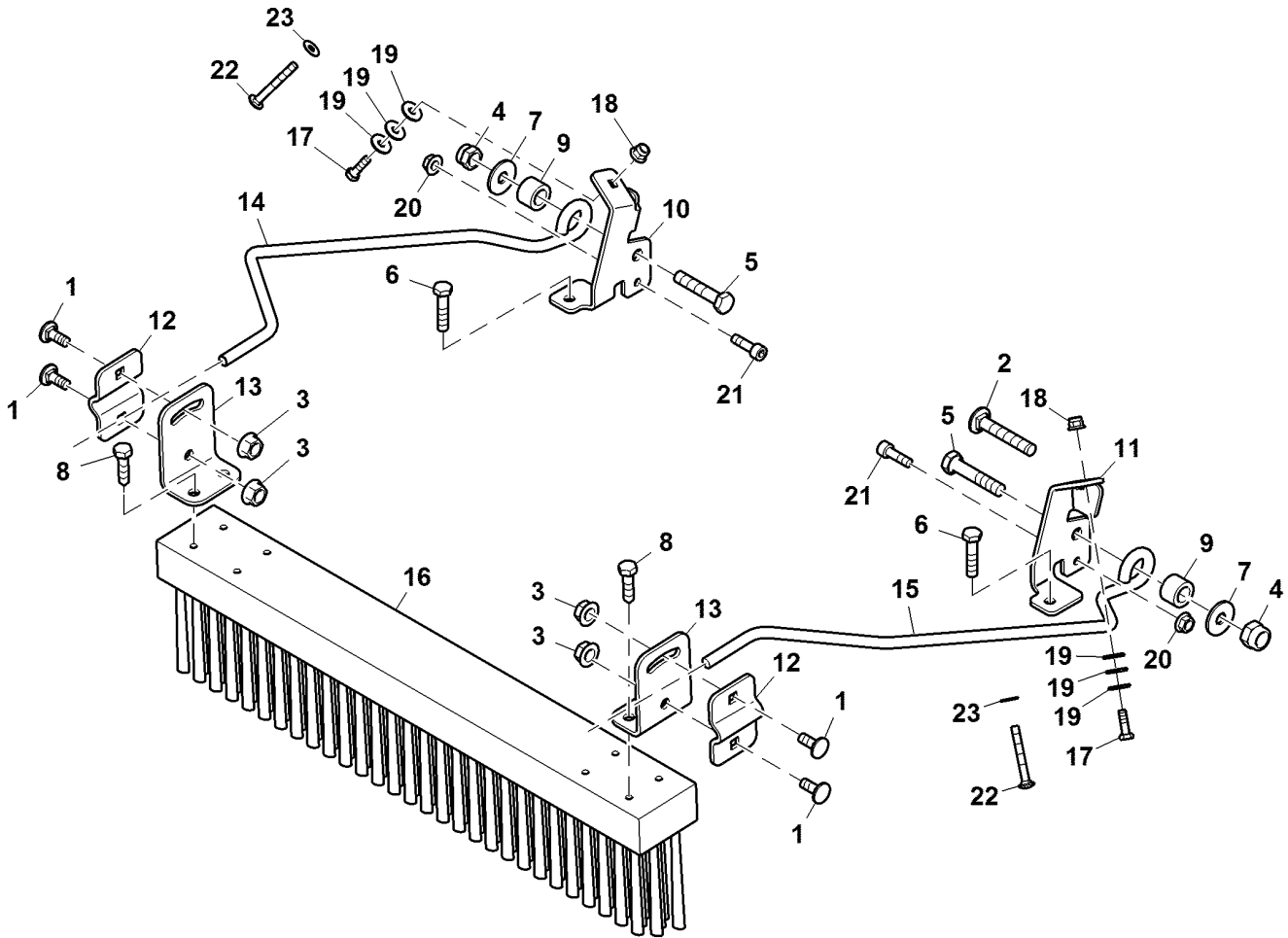


BM23449

<i>Key</i>	<i>Part No.</i>	<i>Part Name</i>	<i>Qty.</i>	<i>Serial No.</i>	<i>Remarks</i>
1	BM25531	Brush	1		SUB FOR BM23449

Push Broom
 Push Broom
 Push Broom
 Push Broom
 Push Broom
 Push Broom

PU26648 A.1

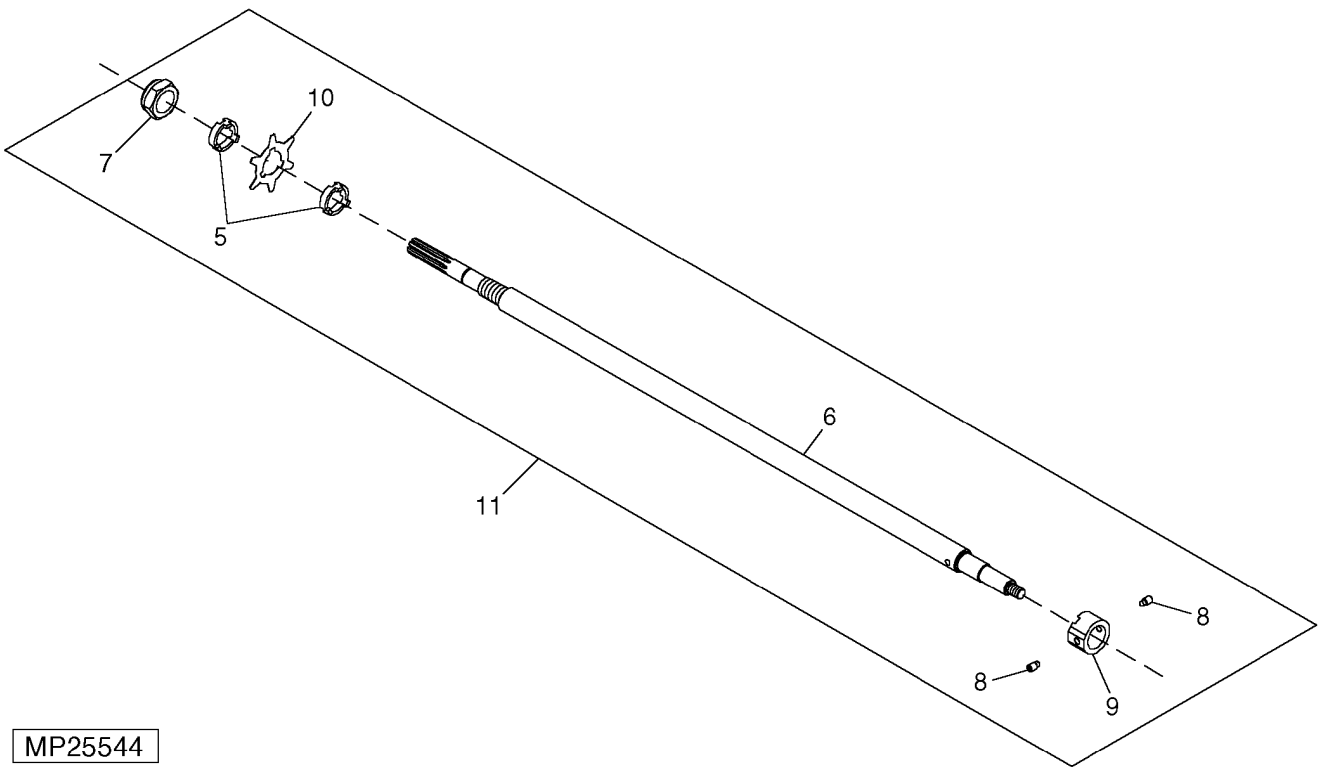
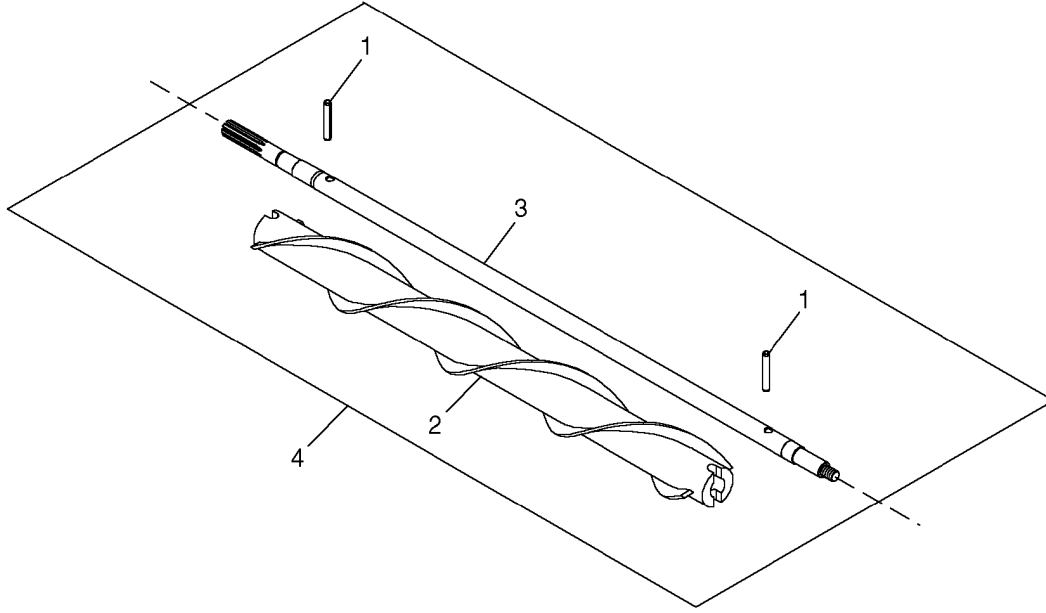


PU26648

Key	Part No.	Part Name	Qty.	Serial No.	Remarks
1	03M7184	Bolt	4		M8 X 20
2	03M7246	Bolt	2		M10 X 60
3	14M7298	Flange Nut	8		M8
4	14M7517	Lock Nut	2		M10
5	19M7179	Cap Screw	2		M10 X 50
6	19M7298	Cap Screw	2		M8 X 35
7	24M7178	Washer	2		10.500 X 30 X 2.500 mm
8	E20375	Screw	4		
9	TCU26613	Bushing	2		
10	TCU27443	Bracket	1		RH
11	TCU27444	Bracket	1		LH
12	TCU27445	Bracket	2		LH
13	TCU27446	Bracket	2		RH
14	TCU27447	Rod	1		RH
15	TCU27448	Rod	1		LH
16	TCU27506	Brush	1		
	TCU29767	Brush	1		
17	19M7077	Cap Screw	2		M6 X 20
18	14M7397	Lock Nut	2		M6
19	24M7139	Washer	6		6.400 X 18 X 1.600 mm
20	14M7303	Flange Nut	4		M6
21	19M7603	Screw	2		M6 X 20
22	03M7218	Bolt	2		M10 X 80
23	24H1307	Washer	6		13/32" X 1" X 1/16"

Vertical Cutter and Brush
 Vertical Cutter and Brush
 Vertical Cutter and Brush
 Vertical Cutter and Brush
 Vertical Cutter and Brush

MP25544 A.1

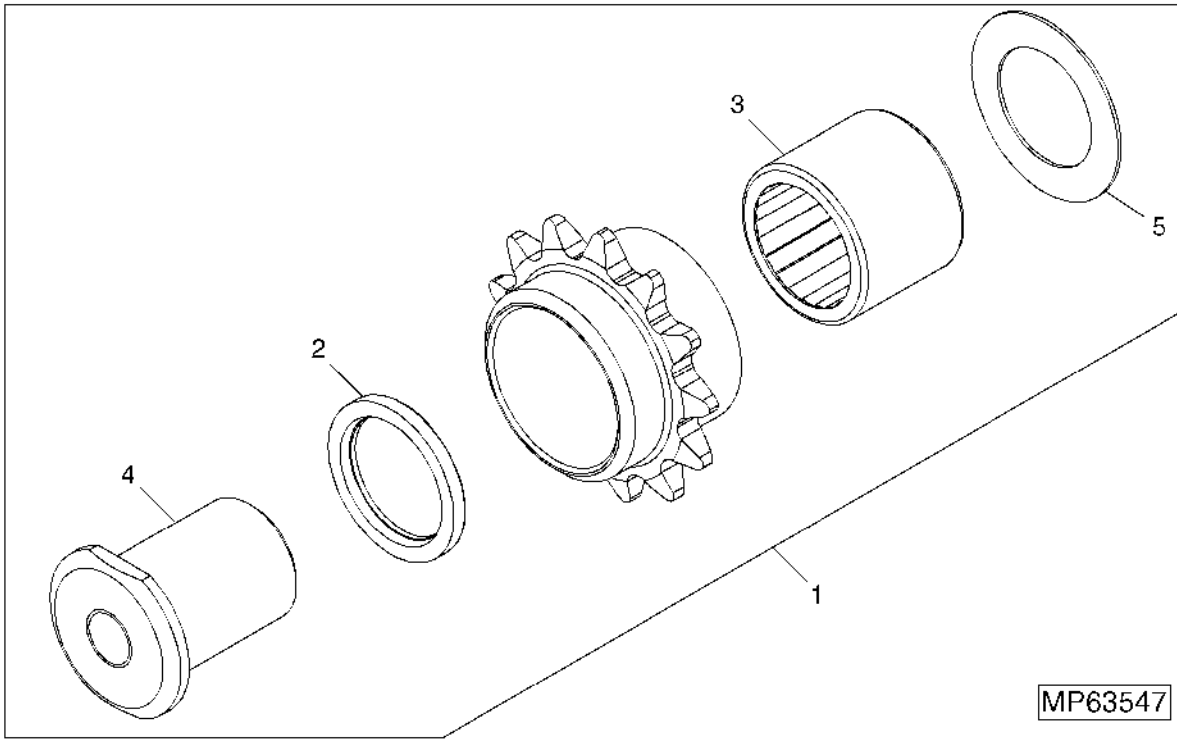


MP25544

Key	Part No.	Part Name	Qty.	Serial No.	Remarks
1	34M7042	Spring Pin	2		6 X 40 mm
2	AMT1343	Brush	1		22 inch
3	MT7111	Shaft	1		
4	BM20567	Kit	1		22 inch, Rotary
5	MT7280	Spacer	75		
6	MT7316	Shaft	1		
7	N198341	Lock Nut	1		
8	R76134	Set Screw	2		
9	ET14917	Spacer	1		
10	ET14707	Knife	75		
11	BM20566	Kit	1		22 inch, Greens Tender Conditioner

REEL CLUTCH KIT
 REEL CLUTCH KIT
 REEL CLUTCH KIT
 REEL CLUTCH KIT
 REEL CLUTCH KIT
 REEL CLUTCH KIT

MP63547 A.1

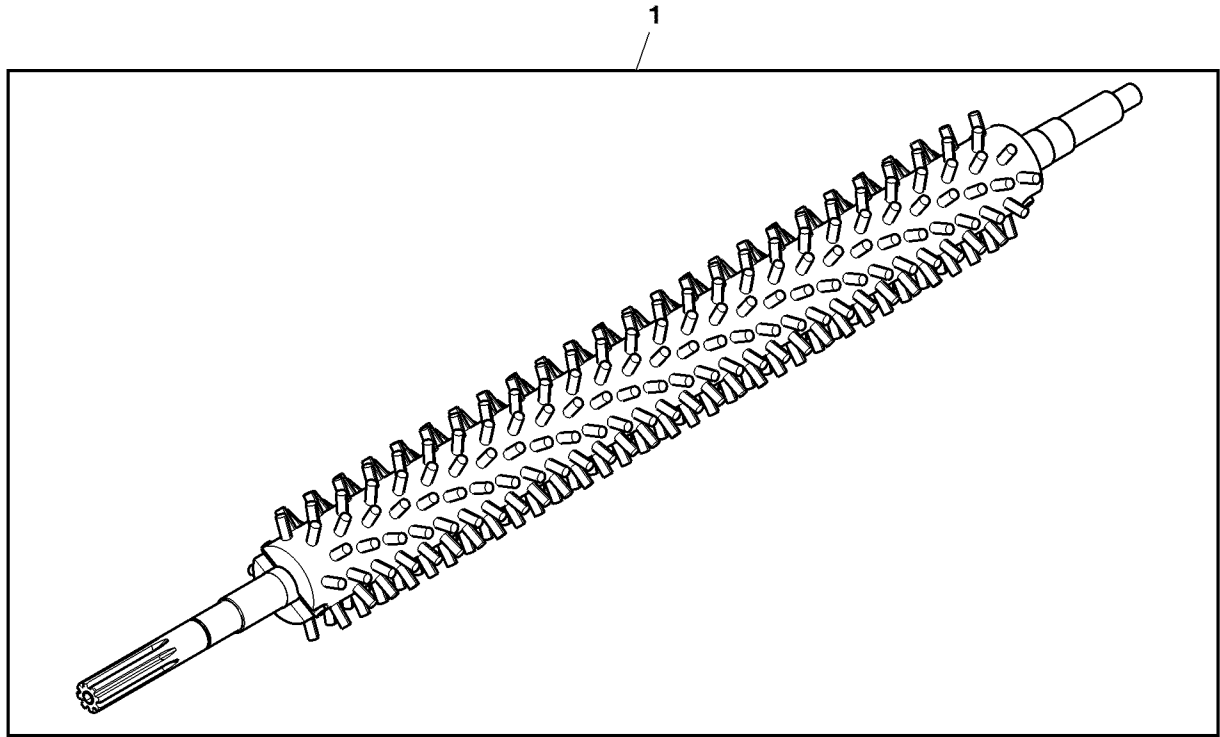


Key	Part No.	Part Name	Qty.	Serial No.	Remarks
1	AMT2859	Reel Kit	1		
2	AH11010	Seal	1		
3	MT6937	Needle Bearing	1		
4	Nut	1		(ORDER AMT2859)
5	MT6939	Thrust Washer	1		

- Attachment, Rotary Brush, 22 inch (040001 -)
- Attachment, Rotary Brush, 22 inch (040001 -)
- Attachment, Rotary Brush, 22 inch (040001 -)
- Attachment, Rotary Brush, 22 inch (040001 -)
- Attachment, Rotary Brush, 22 inch (040001 -)
- Attachment, Rotary Brush, 22 inch (040001 -)



PU08987 A.1



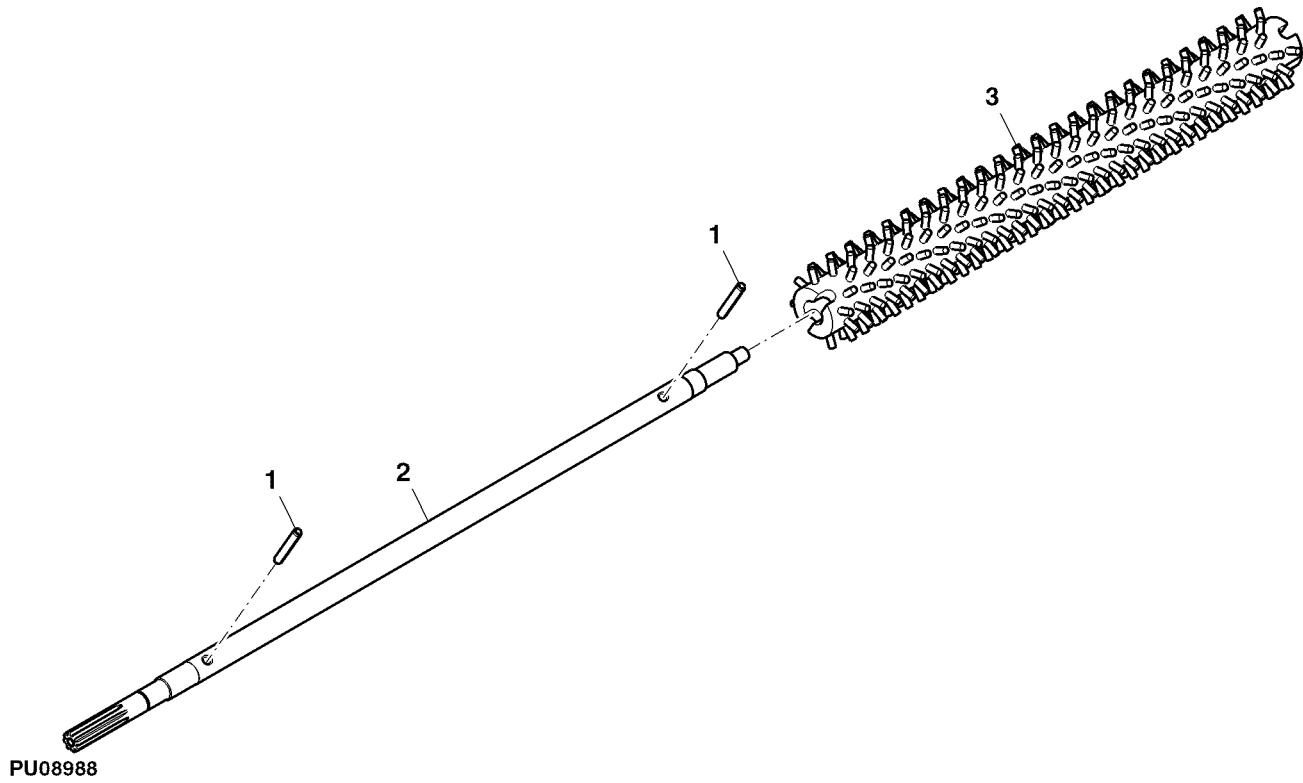
PU08987

Key	Part No.	Part Name	Qty.	Serial No.	Remarks
1	BM24729	Brush	1		

- Rotary Brush, 22 inch (040001 -)
- Rotary Brush, 22 inch (040001 -)
- Rotary Brush, 22 inch (040001 -)
- Rotary Brush, 22 inch (040001 -)
- Rotary Brush, 22 inch (040001 -)
- Rotary Brush, 22 inch (040001 -)



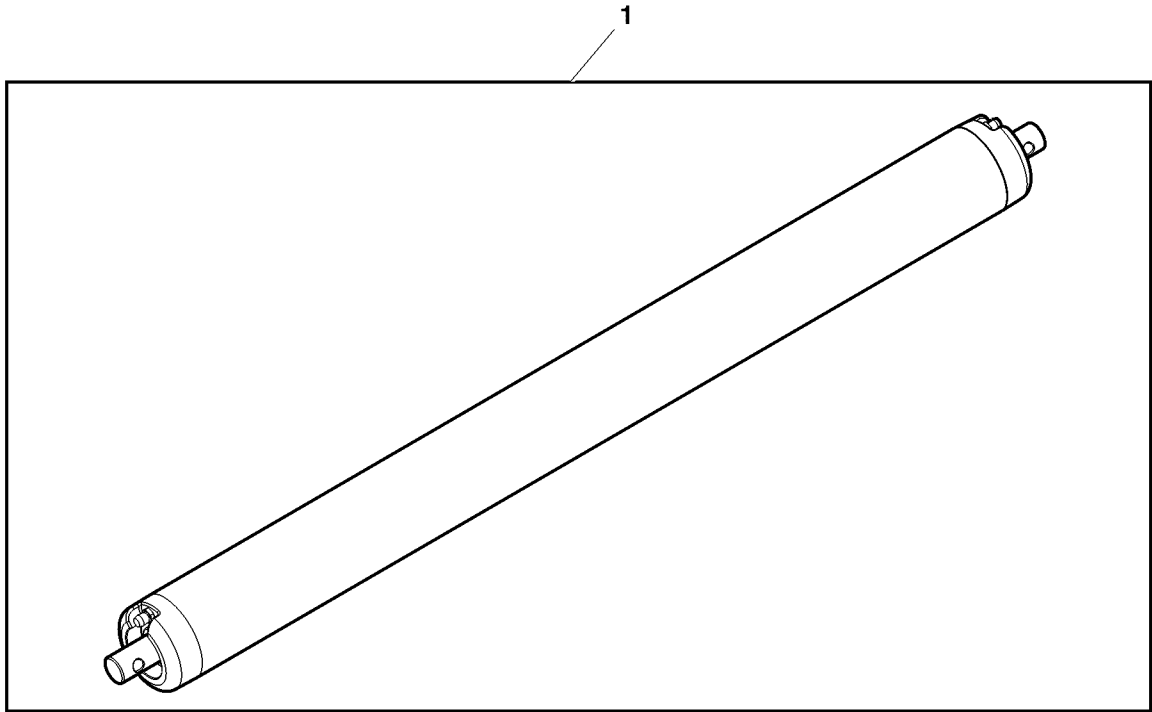
PU08988 A.1



Key	Part No.	Part Name	Qty.	Serial No.	Remarks
1	34M7042	Spring Pin	2		6 X 40 mm
2	MT7111	Shaft	1		
3	TCU33742	Brush	1		

Attachment, Hollow Smooth Roller, 22 inch
 Attachment, Hollow Smooth Roller, 22 inch
 Attachment, Hollow Smooth Roller, 22 inch
 Attachment, Hollow Smooth Roller, 22 inch
 Attachment, Hollow Smooth Roller, 22 inch
 Attachment, Hollow Smooth Roller, 22 inch

BM24202 A.1



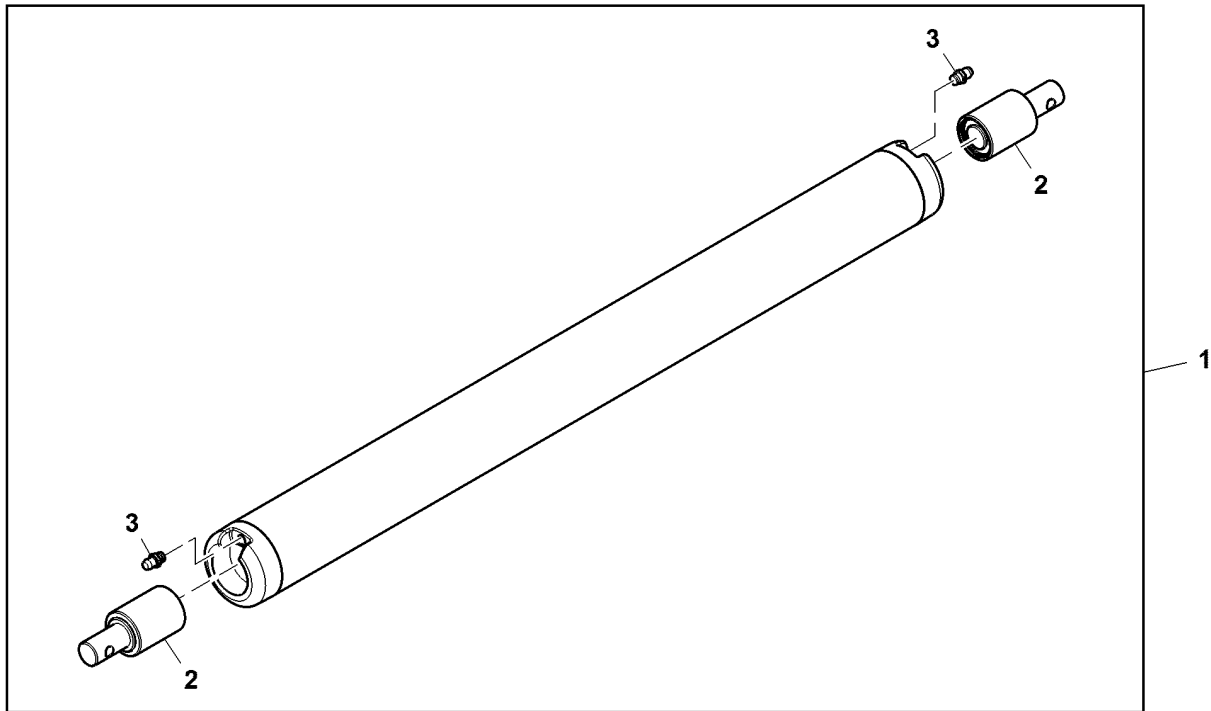
BM24202

Key	Part No.	Part Name	Qty.	Serial No.	Remarks
1	BM24202	Roller	1		

Hollow Smooth Roller, 22 inch
 Hollow Smooth Roller, 22 inch
 Hollow Smooth Roller, 22 inch
 Hollow Smooth Roller, 22 inch
 Hollow Smooth Roller, 22 inch
 Hollow Smooth Roller, 22 inch



PU27632 A.1

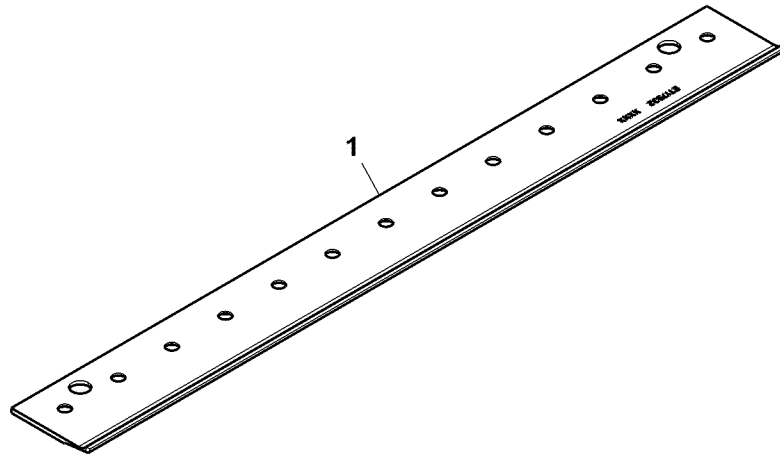


PU27632

Key	Part No.	Part Name	Qty.	Serial No.	Remarks
1	BM24202	Roller Kit	1		
2	TCA22836	Ball Bearing	2		
3	JD7844	Lubrication Fitting	2		

Stationary Knife, Fairway Low Cut, 22 inch
 Stationary Knife, Fairway Low Cut, 22 inch
 Stationary Knife, Fairway Low Cut, 22 inch
 Stationary Knife, Fairway Low Cut, 22 inch
 Stationary Knife, Fairway Low Cut, 22 inch
 Stationary Knife, Fairway Low Cut, 22 inch

PU27456 A.1

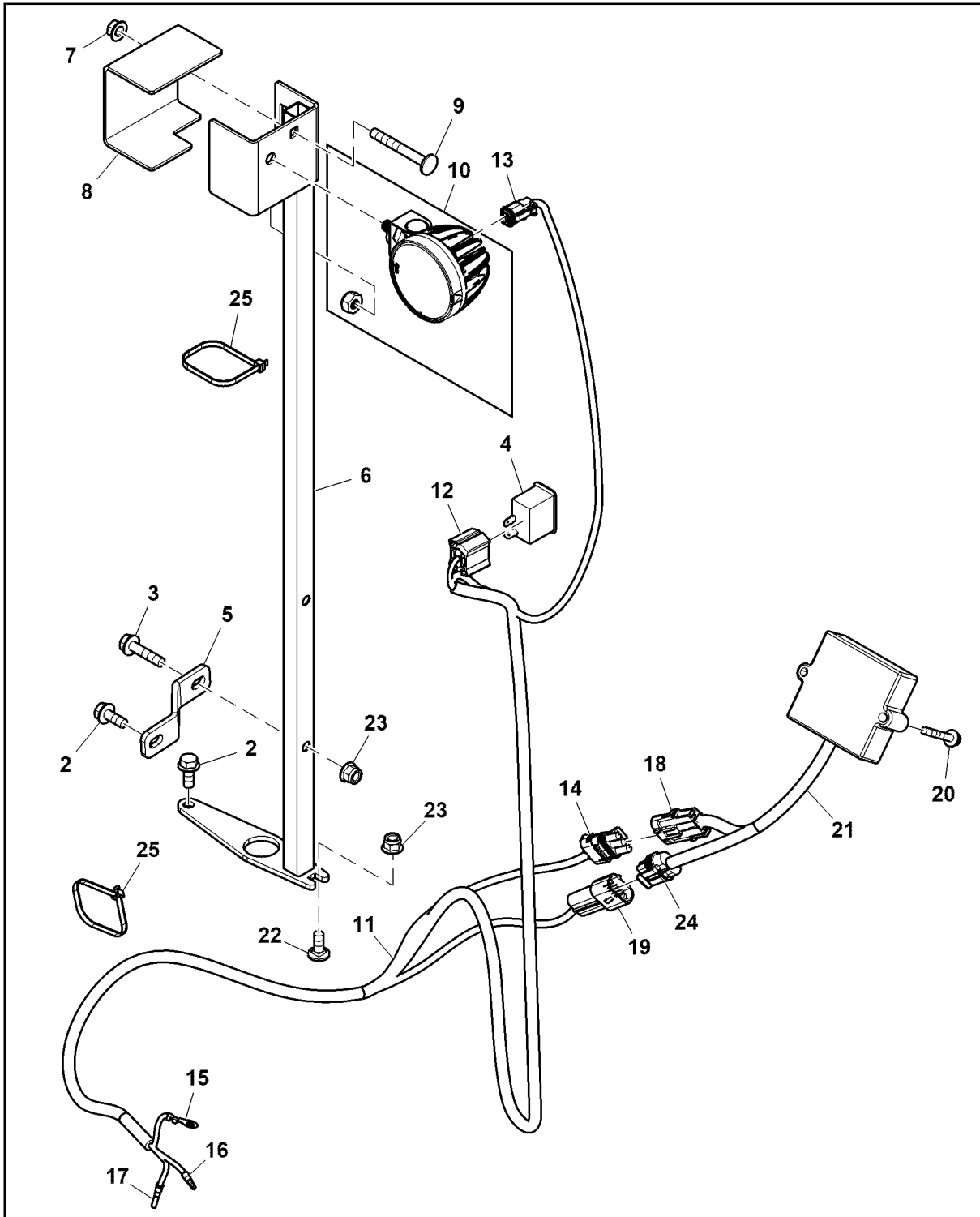


PU27456

Key	Part No.	Part Name	Qty.	Serial No.	Remarks
1	UC28156	Stationary Knife	1		Height of Cut = 4.8 mm, SUB FOR UC18865 OR ET17532

LED Light Kit
 LED Light Kit
 LED Light Kit
 LED Light Kit
 LED Light Kit
 LED Light Kit

PU49366 A.1

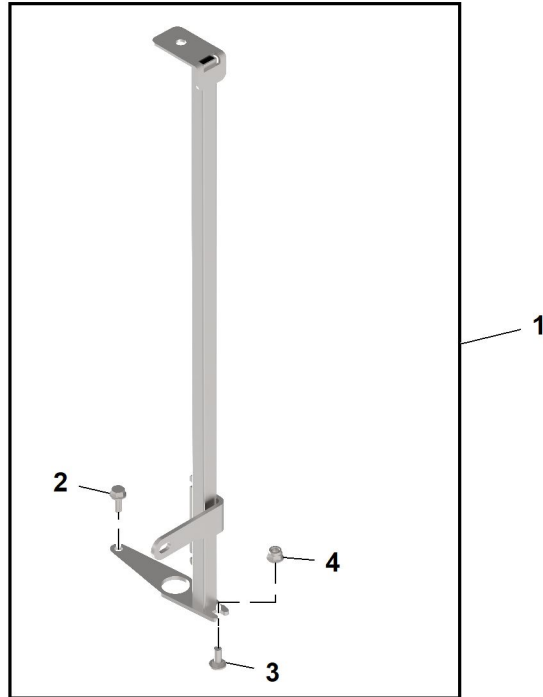


PU49366

Key	Part No.	Part Name	Qty.	Serial No.	Remarks
1	BUC11326	Kit	1		SUB FOR BUC10782
2	19M7866	Screw	3		M8 X 20
3	19M7897	Screw	1		M8 X 35
4	AM117324	Switch	1		Lights High Beam
5	MT7090	Bracket	1		Leg Support
6	AUC15082	Leg	1		
7	14M7298	Flange Nut	1		M8
8	MT3436	Cover	1		Leg Support Bracket
9	03M7224	Bolt	1		M8 X 65
10	CXT13734	Floodlamp	1		12 V
11	AUC17531	Headlamp Wiring Harness	1		
12	57M9361	Elec. Connector Housing	1		XS0005, Worklight Switch
13	57M9200	Elec. Connector Terminal	2		Cavity C, D
	57M7534	Elec. Connector Housing	1		XE0001, Worklight
	R78065	Elec. Connector Terminal	2		Cavity 1, 2
14	57M7620	Electrical Connector Assy	1		
	RE12364	Elec. Connector Housing	1		XX0001-1, Regulator Rectifier AC
	R78060	Elec. Connector Terminal	2		Cavity A, C
	57M9218	Elec. Connector Seal	2		Cavity A, C
15	R78064	Elec. Connector Cavity Plug	1		Cavity B
	57M15737	Elec. Connector Terminal	1		GND0001, Engine Coil Ground
16	57M10145	Elec. Connector Terminal	1		XL0001-2, Engine Coil AC Ground
17	57M16131	Elec. Connector Terminal	1		XL0001-1, Engine Coil AC
18	R78054	Elec. Connector Housing	1		Regulator Rectifier AC
19	R78061	Elec. Connector Terminal	1		
	57M9216	Elec. Connector Seal	1		
	Elec. Connector Housing	1		XX0002-1, Regulator Rectifier DC
20	19M7797	Screw	2		M6 X 40
21	UC27721	Voltage Regulator	1		14 V
22	03M7184	Bolt	1		M8 X 20
23	14M7396	Lock Nut	2		M8
24	R104570	Elec. Connector Housing	1		Regulator Rectifier DC
	R104933	Elec. Connector Terminal	1		
25	H77698	Tie Band	6		SUB FOR M78480
26	UC27985	Field Winding Coil	2		Not Illustrated

Light Kit, Mounting
 Light Kit, Mounting
 Light Kit, Mounting
 Light Kit, Mounting
 Light Kit, Mounting
 Light Kit, Mounting

PU53558 A.1

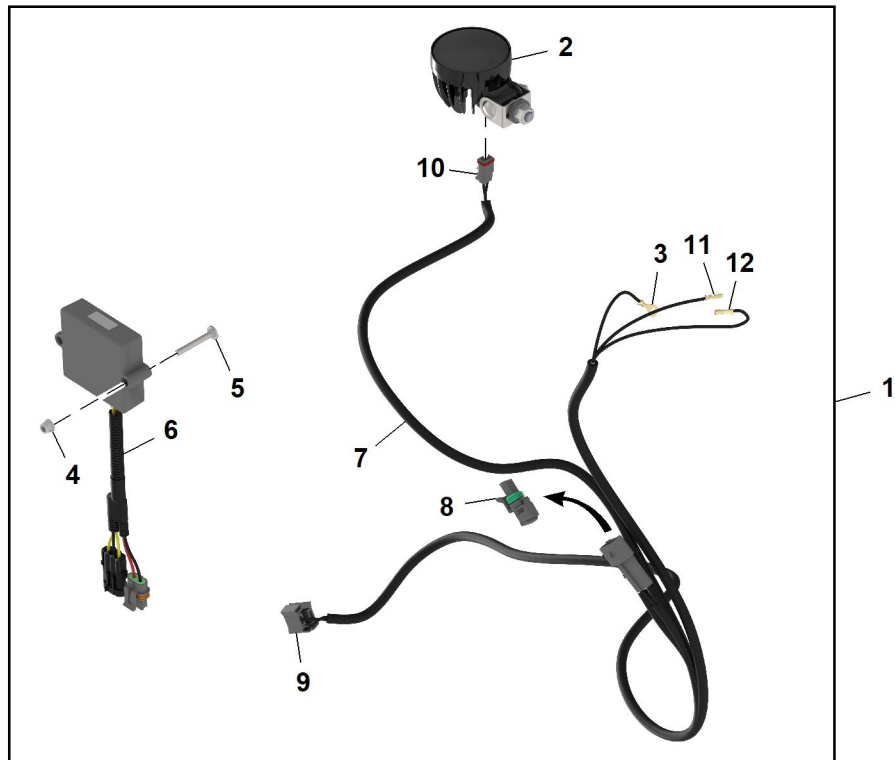


PU53558

Key	Part No.	Part Name	Qty.	Serial No.	Remarks
1	BUC11506	Mounting Parts	1		
2	19M7866	Screw	3		M8 X 20
3	03M7184	Bolt	1		M8 X 20
4	14M7396	Lock Nut	1		M8

Light Kit, SL/E- W/Regulator
 Light Kit, SL/E- W/Regulator
 Light Kit, SL/E- W/Regulator
 Light Kit, SL/E- W/Regulator
 Light Kit, SL/E- W/Regulator
 Light Kit, SL/E- W/Regulator

PU53703R A.1

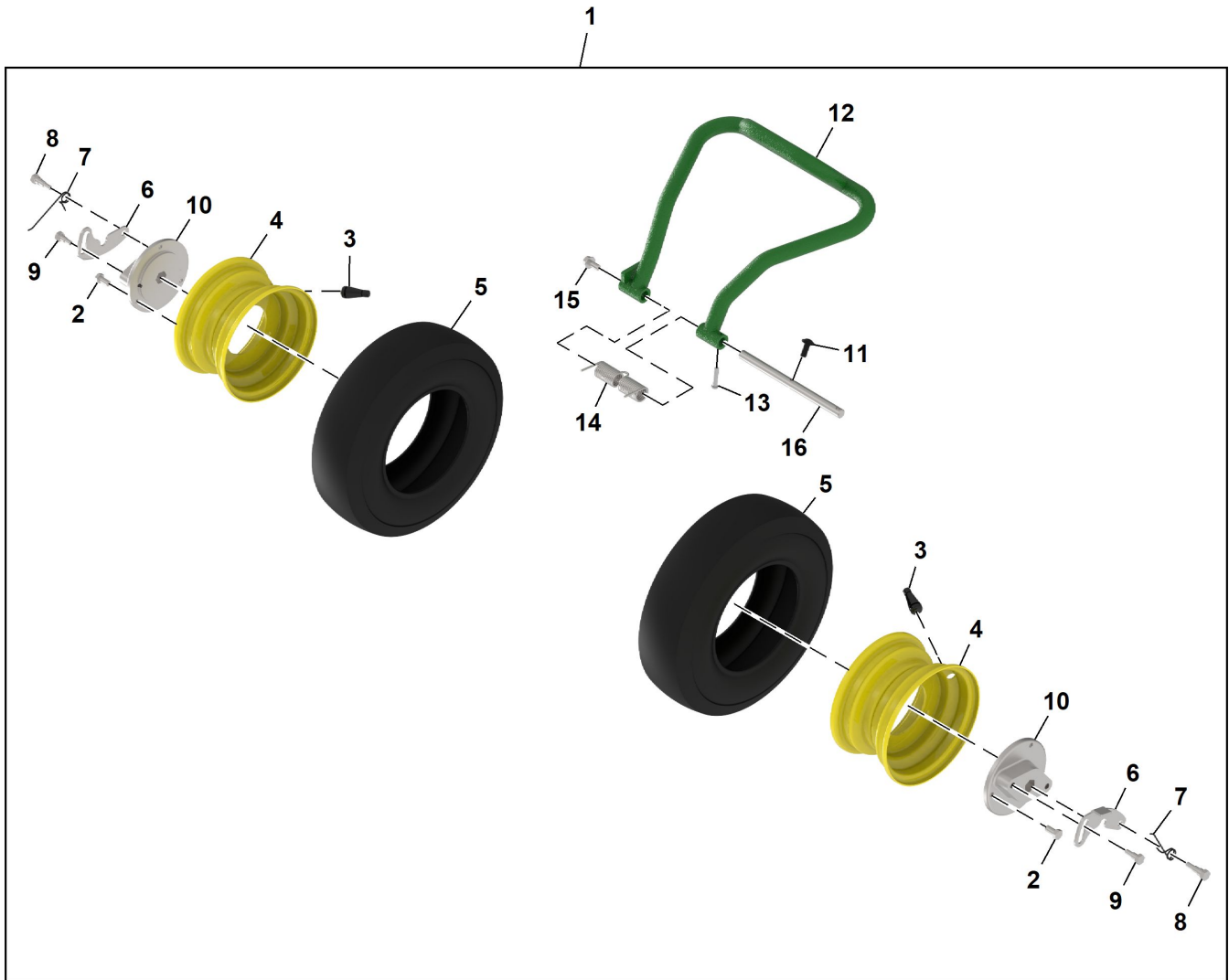


PU53703R

Key	Part No.	Part Name	Qty.	Serial No.	Remarks
1	BUC11508	Light Kit	1		
2	CXT13734	Floodlamp	1		
3	57M15737	Elec. Connector Terminal	1		XGND0014-3, Engine Ground Terminal
4	14M7397	Lock Nut	2		M6
5	03M7280	Bolt	2		M6 X 45
6	UC27721	Voltage Regulator	1		
7	AUC19846	Headlamp Wiring Harness	1		
8	RE12364	Electrical Connector Assy	1		XN0001-1, Voltage Regulator AC IN
	57M9218	Elec. Connector Seal	2		Cavity A, C
	R78064	Elec. Connector Cavity Plug	1		Cavity B
9	57M9361	Elec. Connector Housing	2		XS0012, Work Light Switch
	57M9200	Elec. Connector Terminal	2		Cavity C, D
10	57M7534	Elec. Connector Housing	1		XE0004, Work Light
	R78065	Elec. Connector Terminal	2		Cavity 1, 2
11	57M16131	Elec. Connector Terminal	1		XT0001-1, Ignition Coil
12	57M10145	Elec. Connector Terminal	1		XT0001-2, Ignition Coil

Stand Kit
Stand Kit
Stand Kit
Stand Kit
Stand Kit
Stand Kit

PU53704 A.1



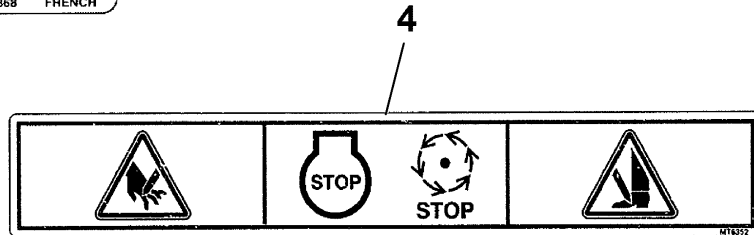
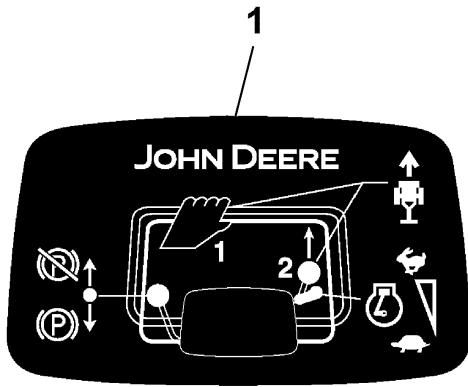
PU53704

Key	Part No.	Part Name	Qty.	Serial No.	Remarks
1	BUC11639	Stand Kit	1		
2	19M7162	Cap Screw	6		M8 X 16
3	AM30795	Tire Valve Stem	2		
4	AMT952	Rim	2		
5	MT628	Tire	2		
6	ET11089	Latch	2		
7	ET11090	Torsion Spring	2		
8	ET11379	Cap Screw	2		
9	ET11380	Cap Screw	2		
10	MT7184	Hub	2		
11	19M8599	Screw	1		M8 X 20
12	AUC17507	Stand	1		
13	DZ105460	Quick Lock Pin	1		
14	UC29133	Torsion Spring	1		
15	19M7865	Screw	1		M8 X 16
16	UC33621	Pin	1		

Sectional Pictorial Index
 Index d'illustrations par sections.
 Gruppenbildindex
 Indice illustrato delle sezioni
 Índice de ilustraciones por secciones
 Avsnittsbildregister

PU42270 A.1

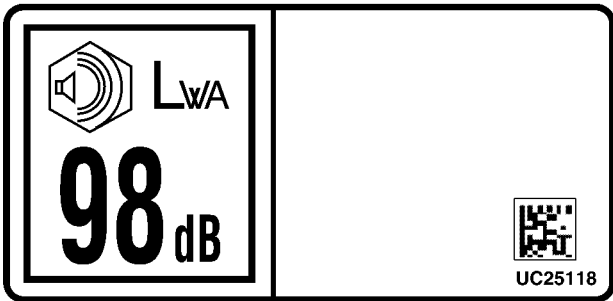
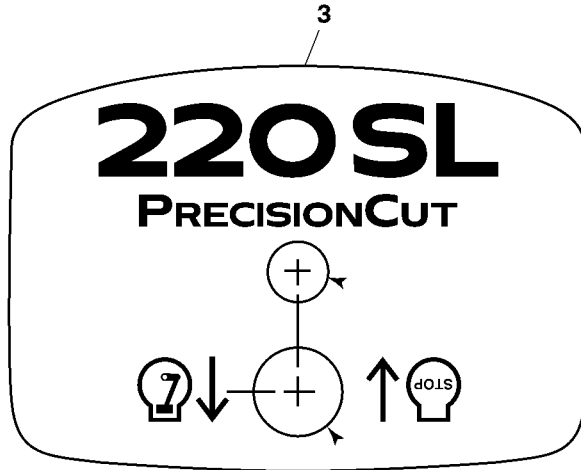
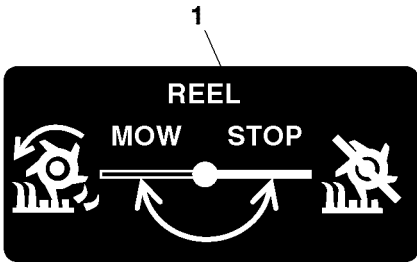
1-	176
2-	178
3-	180
4-	182
5-	184



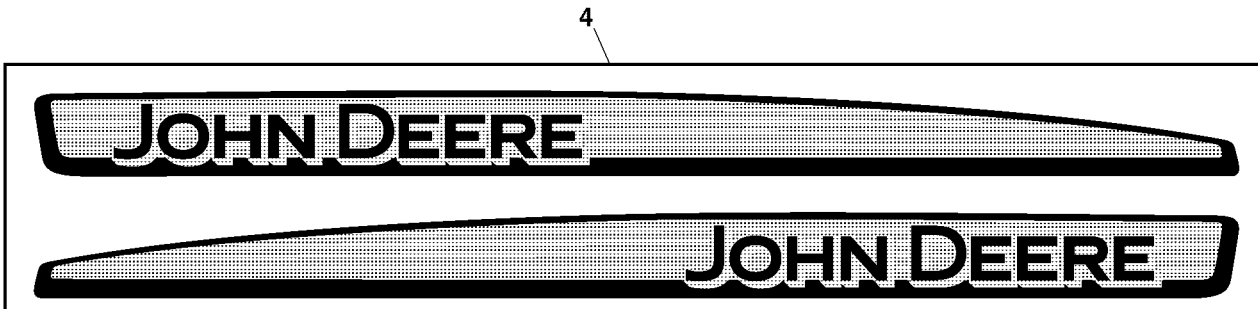
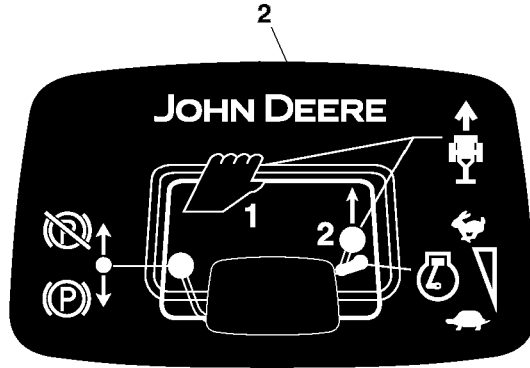
PU42270

Labels
Labels
Labels
Labels
Labels
Labels

PU40573 A.1



220SL/260SL/220E



PU40573

<i>Key</i>	<i>Part No.</i>	<i>Part Name</i>	<i>Qty.</i>	<i>Serial No.</i>	<i>Remarks</i>
1	MT7160	Label	1		Mow / Stop, English
	MT7208	Label	1		Spanish
2	MT7170	Label	1		Rear Cover
3	TCU28222	Label	1		
4	TCU22578	Label	1		Trim Stripe
5	JD5779	Label	1		
6	UC25118	Label	1		Australian Sound

Labels
Labels
Labels
Labels
Labels
Labels

PU53965 A.1

1

⚠ CAUTION

HELP AVOID INJURY

- Read the operator's manual
- Operator training required
- Do not operate the machine without guards, shields and safety devices in place and working
- Do not operate when children or others are around
- Stop engine and set park brake whenever you leave the mower

⚠ ATENCION

AYUDAR A EVITAR LESIONES

- Leer el manual del operador
- Se requiere entrenamiento del operador
- No funcione la máquina sin protectores, protectores y dispositivos de seguridad en lugar y el trabajo
- No maneje la máquina cuando hay niños u otras personas alrededor
- Siempre parar el motor y aplicar el freno de estacionamiento antes de abandonar el cortacésped

TCU26573

6

L_{WA}

98

dB

UC25118

220SL/260SL/220E

4

<p style="text-align: center; font-weight: bold; margin: 0;">IMPORTANT</p> <p style="font-size: x-small; margin: 0;">Pursuant to California Public Resources Code 4442.6:</p> <p style="font-size: x-small; margin: 0;">WARNING: Operation of This Equipment May Create Sparks That Can Start Fires Around Dry Vegetation. A Spark Arrestor May be Required. The Operator Should Contact Local Fire Agencies For Laws or Regulations Relating to Fire Prevention Requirements.</p>	<p style="text-align: center; font-weight: bold; margin: 0;">IMPORTANTE</p> <p style="font-size: x-small; margin: 0;">Según el Código de recursos públicos 4442.6 del Estado de California</p> <p style="font-size: x-small; margin: 0;">ADVERTENCIA: El uso de este equipo puede crear chispas capaces de iniciar incendios en vegetación seca. Podría ser necesario usar un parachispas. El operador deberá comunicarse con cuerpos de bomberos locales para informarse de leyes o reglamentos relacionados con los requisitos exigidos para la prevención de incendios.</p>
--	--

UC13164

2

⚠ WARNING

Do not operate machine without shield in place.

3

<p style="text-align: center; font-weight: bold; margin: 0;">⚠ DANGER</p> <p style="font-size: x-small; margin: 0;">To avoid injury from rotating blades, stay clear of reel. Shut off machine before removing grass catcher, cleaning or servicing.</p>		<p style="text-align: center; font-weight: bold; margin: 0;">⚠ PELIGRO</p> <p style="font-size: x-small; margin: 0;">Para evitar sufrir lesiones causadas por las cuchillas, mantenerse alejado del molinete. Apague la máquina antes de quitar el recolector de grama, limpiarlo o darle servicio.</p>
--	--	---

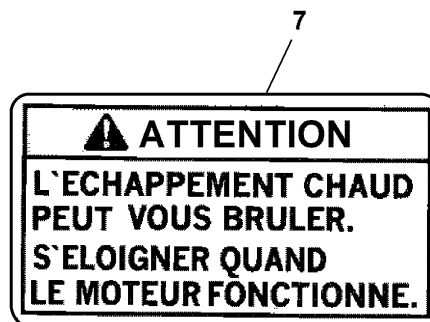
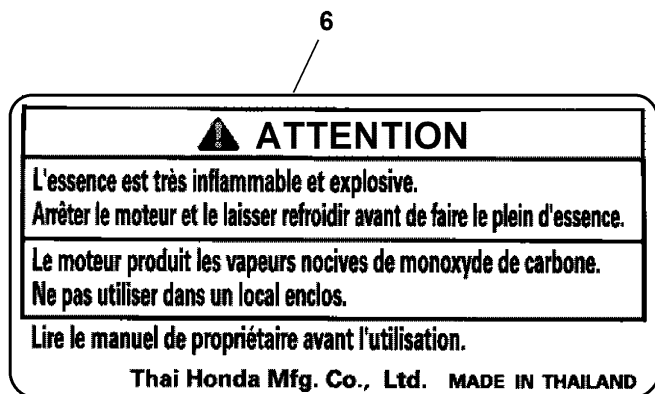
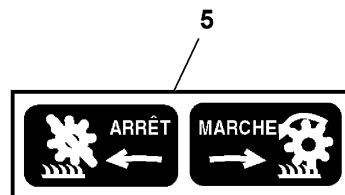
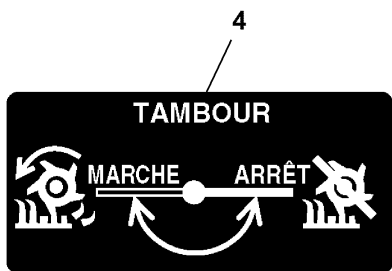
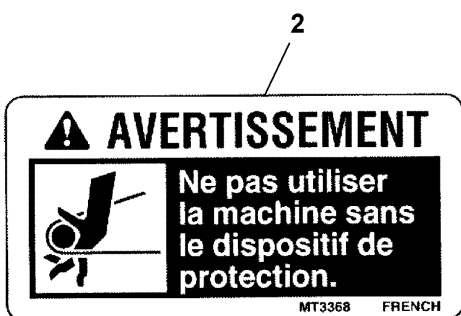
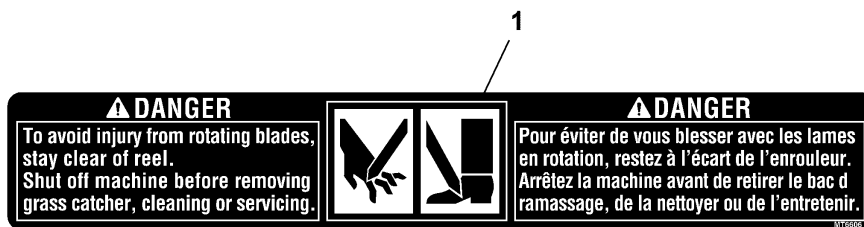
MTC531

PU53965

Key	Part No.	Part Name	Qty.	Serial No.	Remarks
1	TCU26573	Label	1		Caution
2	MT3366	Label	1		Warning, Shield
3	MT6517	Label	1		Danger, English / Spanish
4	UC13164	Label	1		Warning Spark Arrestor, English / Spanish
5	MIU12385	Label	1		Not Illustrated, Operator Caution
6	UC25118	Label	1		Australian Sound

Labels, Canadian French
 Labels, Canadian French
 Labels, Canadian French
 Labels, Canadian French
 Labels, Canadian French
 Labels, Canadian French

PU54006 A.1

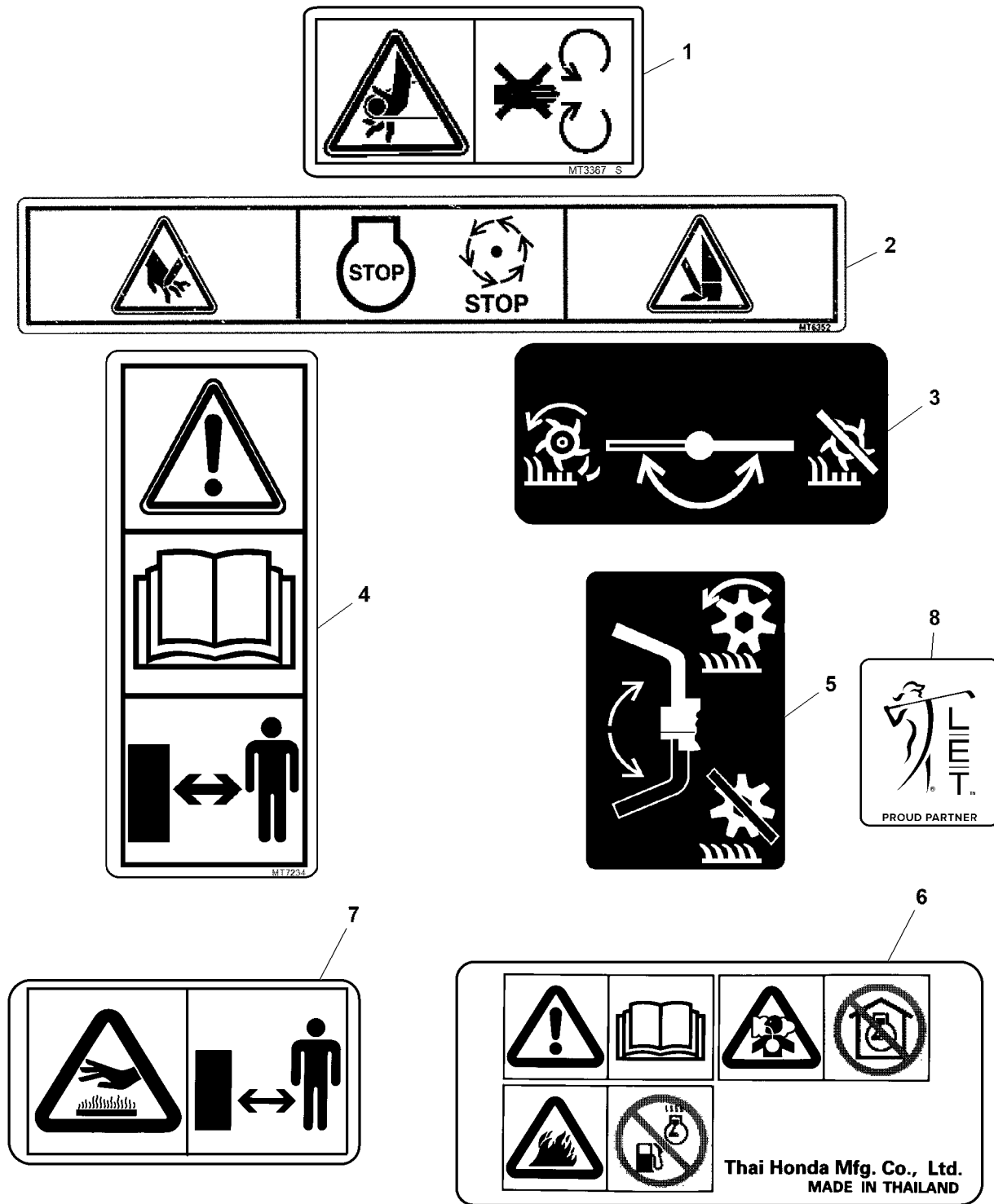


PU54006

<i>Key</i>	<i>Part No.</i>	<i>Part Name</i>	<i>Qty.</i>	<i>Serial No.</i>	<i>Remarks</i>
1	MT6606	Label	1		Danger, English and French
2	MT3368	Label	1		Warning, Shield
3	MT7254	Label	1		Caution
4	MT7207	Label	1		Reel Mow / Stop
5	MT2138	Label	1		Greens Tender Conditioners, Run / Stop
6	MIU13001	Label	1		Red
7	MIU13002	Label	1		Yellow

Labels (Not for Canada and USA)
 Labels (Not for Canada and USA)
 Labels (Not for Canada and USA)
 Labels (Not for Canada and USA)
 Labels (Not for Canada and USA)
 Labels (Not for Canada and USA)

PU49432 A.1

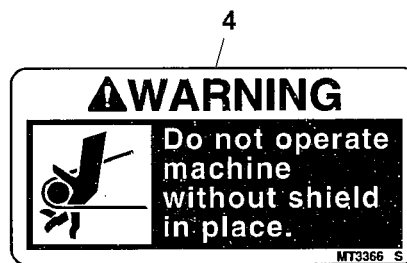
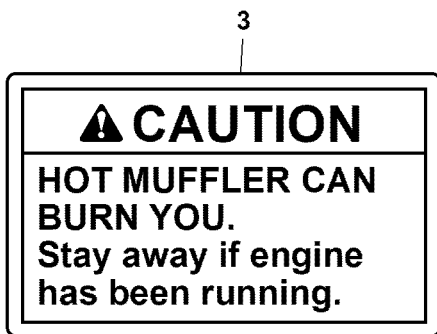
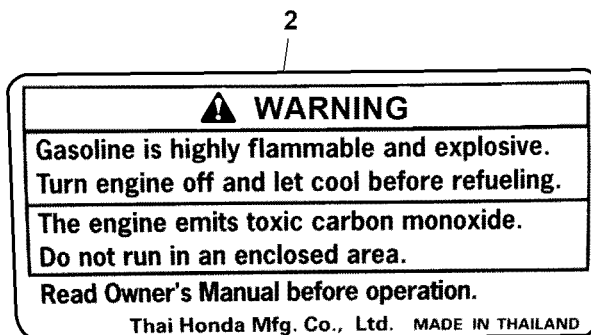
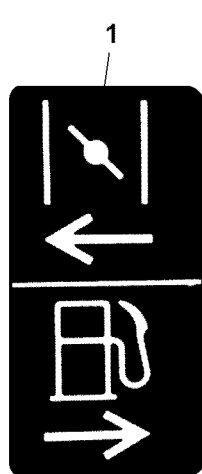


PU49432

Key	Part No.	Part Name	Qty.	Serial No.	Remarks
1	MT3367	Label	1		Warning, Shield
2	MT6732	Label	1		Danger, Reels
3	MT7208	Label	1		Reel Mower Stop
4	MT7234	Label	1		Caution
5	MT7219	Label	1		Run-Stop
6	MIU13003	Label	1		Warning, Fuel Tank
7	MIU13004	Label	1		Hot Surface, Fuel Tank
8	UC29273	Label	1		Ladies EU Tour

Engine Labels (040001 -)
 Engine Labels (040001 -)
 Engine Labels (040001 -)
 Engine Labels (040001 -)
 Engine Labels (040001 -)
 Engine Labels (040001 -)

PU42056 A.1



PU42056

Key	Part No.	Part Name	Qty.	Serial No.	Remarks
1	MIU14070	Label	1		SUB FOR MIU11469, Choke
2	MIU14071	Label	1		Operator Caution
3	MIU14072	Label	1		Caution
4	MT3366	Label	1		Warning, Shield

Numerical Index

<i>Part No.</i>	<i>Key</i>	<i>Page</i>	<i>Part No.</i>	<i>Key</i>	<i>Page</i>	<i>Part No.</i>	<i>Key</i>	<i>Page</i>
A3917R	11	155	AMT2768	13	151	AUC16487	3	61
A51212	12	155	AMT2798	18	109	AUC16487	3	73
AA35741	1	117	AMT2800	24	95	AUC16488	6	58
AA35741	2	119	AMT2816	7	146	AUC16488	6	70
AA35741	2	122	AMT2826	29	95	AUC16491	1	90
AA35741	1	129	AMT2827	25	95	AUC16492	1	63
AH11010	2	162	AMT2829	35	105	AUC16492	1	75
AH76882	9	92	AMT2839	22	105	AUC16493	5	81
AM102726	4	100	AMT2839	4	42	AUC16494	4	81
AM102726	7	101	AMT2839	4	54	AUC16495	7	81
AM108133	27	151	AMT2839	4	66	AUC16496	3	84
AM117324	13	139	AMT2857	7	135	AUC16496	3	85
AM117324	9	151	AMT2858	6	135	AUC16497	11	84
AM117324	4	153	AMT2859	1	162	AUC16497	9	84
AM117324	4	169	AMT2859	4	162	AUC16497	9	85
AM123793	8	43	AMT2863	6	100	AUC16498	3	59
AM123808	6	46	AMT2863	6	101	AUC16498	3	71
AM123810	8	48	AMT2865	6	109	AUC16891	38	155
AM123810	8	60	AMT2876	3	117	AUC17002	11	84
AM123810	8	72	AMT2876	3	129	AUC17002	9	84
AM123813	2	51	AMT2878	1	119	AUC17004	4	83
AM123815	18	47	AMT2878	3	129	AUC17005	7	83
AM123816	29	81	AMT2879	1	122	AUC17006	5	83
AM123816	25	83	AMT2886	1	107	AUC17021	2	79
AM123816	28	83	AMT2889	26	151	AUC17507	12	149
AM123817	21	81	AMT2889	29	151	AUC17507	12	173
AM123817	21	83	AMT2901	1A	135	AUC17530	29	151
AM123819	23A	81	AMT2901	1B	135	AUC17531	11	153
AM123819	29	81	AMT2905	9	100	AUC17531	11	169
AM123819	28	83	AMT2905	10	101	AUC17727	1B	135
AM123819	29	83	AMT2905	26	127	AUC17727	1C	135
AM123820	5	81	AMT2906	18	127	AUC18265	1	66
AM123821	24	81	AMT2918	9	105	AUC18405	1C	135
AM123821	29	81	AMT2921	10A	105	AUC18499	1	92
AM123821	28	83	AMT2923	1	96	AUC18714	10	99
AM123821	30	83	AMT2924	1	96	AUC18715	4	99
AM123822	28	81	AMT2926	2	97	AUC18716	18	99
AM123822	29	81	AMT2927	1	97	AUC18717	1	96
AM123822	28	83	AMT2945	16	95	AUC18717	10	99
AM123822	31	83	AMT2978	4	114	AUC18717	18	99
AM123823	16	81	AMT500	2	123	AUC18717	4	99
AM123823	16	83	AMT500	9	130	AUC18717	5	99
AM123825	14	81	AMT5162	3	109	AUC18717	10B	105
AM123825	14	83	AMT5162	36	111	AUC19008	9	141
AM123826	29	81	AMT5162	36	113	AUC19009	5	141
AM123826	7	81	AMT5163	24	109	AUC19009	19	143
AM123826	28	83	AMT5163	26	111	AUC19010	6	141
AM123826	33	83	AMT5163	26	113	AUC19010	20	143
AM123828	11	84	AMT583	8	137	AUC19721	20	141
AM123828	9	84	AMT583	2	143	AUC19721	39	143
AM123833	7	52	AMT668	33	137	AUC19846	7	171
AM123909	3	84	AMT668	1	91	AUC20031	1	92
AM124482	1A	78	AMT758	20	95	AUC20146	1	139
AM124630	16	151	AMT820	8	95	AUC20351	5	99
AM130537	28	81	AMT880	12	137	AUC21741	9	141
AM130537	8	81	AMT952	4	146	AUC21741	28	143
AM130537	28	83	AMT952	4	149	AUC21754	12	137
AM130537	32	83	AMT952	4	173	AUC21754	6	143
AM132046	5	99	AR1335R	24	105	AZ20217	21	127
AM132047	8	99	AT106154	31	137	BM18480	3	116
AM132048	18	99	AT130104	27	151	BM18480	3	117
AM132050	16	99	AT130104	28	151	BM18480	3	129
AM132051	4	99	AT467826	8	141	BM18711	3	118
AM132052	6	99	AT467826	27	143	BM18711	1	119
AM132053	10	99	AT467827	7	141	BM18711	3	129
AM132471	1A	86	AT467827	26	143	BM18712	3	121
AM30795	6	146	AT467827	53	111	BM18712	1	122
AM30795	3	149	AUC13515	53	113	BM20566	11	161
AM30795	3	173	AUC13515	10	125	BM20567	4	161
AMT1108	9	109	AUC14026	14	139	BM20578	1	146
AMT1108	25	111	AUC14026	7	92	BM20579	1	151
AMT1108	25	113	AUC14413	1	42	BM23443	1	155
AMT1343	2	161	AUC14414	1	42	BM23443	32	155
AMT1521	13	155	AUC14414	1	66	BM23449	1	157
AMT1680	4	137	AUC14498	1	42	BM24202	1	165
AMT1680	12	139	AUC14498	1	54	BM24202	1	166
AMT1874	12	135	AUC15082	6	153	BM24204	1	120
AMT1874	5	143	AUC15082	6	169	BM24729	1	163
AMT2690	1	137	AUC16484	5	57	BM25317	1	130
AMT2741	18	137	AUC16484	5	69	BM25531	1	157
AMT2741	35	95	AUC16485	9	55	BM26408	1	123
AMT2742	32	137	AUC16485	9	67	BUC10524	1	155
AMT2742	36	95	AUC16486	8	55	BUC10782	1	151
AMT2767	13	127	AUC16486	8	67	BUC10782	1	153

Numerical Index - Continued

Part No.	Key	Page	Part No.	Key	Page	Part No.	Key	Page
BUC10782	1	169	ET11464	19	111	M128200	6	57
BUC10786	3	128	ET11464	19	113	M128200	6	69
BUC10949	1	146	ET14707	10	161	M128202	12	45
BUC10949	1	149	ET14917	9	161	M128203	9	45
BUC11326	1	153	ET15463	5	105	M128203	9	57
BUC11326	16	153	ET15464	13	95	M128203	9	69
BUC11326	17	153	ET15726	3	123	M128204	11	45
BUC11326	18	153	ET15726	3	130	M128204	11	57
BUC11326	24	153	ET15755	4	123	M128204	11	69
BUC11326	30	153	ET15755	2	130	M128205	4	45
BUC11326	1	169	ET16027	30	155	M128206	4	90
BUC11506	1	170	ET16467	46	105	M128211	5	43
BUC11508	1	171	ET16679	45	111	M128212	6	43
BUC11639	1	173	ET16679	45	113	M128213	7	43
CXT13734	10	153	ET16679	6	125	M128213	7	55
CXT13734	10	169	ET17123	8	127	M128213	7	67
CXT13734	2	171	ET17515	5	123	M128214	1	43
DZ105460	13	149	ET17515	7	130	M128215	12	43
DZ105460	13	173	ET17532	1	167	M128216	13	43
E20375	8	159	ET17533	3	107	M128216	13	55
E43961	48	105	ET17534	3	107	M128216	13	67
E43961	5	135	F3353R	16	155	M128217	2	43
E63524	6	105	GX120T3SJD5	1	42	M128217	2	55
E63524	14	137	GX120T3SJD5	1	54	M128217	2	67
E63524	13	143	GX120UT-SJD2-NH105	42	42	M128218	14	43
E63525	25	105	GX120UT1-SJD2-MH105	42	42	M128218	14	55
E63525	14	135	GX120UT1-SJD2-NH105	42	42	M128218	14	67
E63525	3	137	GX120UT2-SJD2-NH11	42	42	M128219	3	43
E63525	14	143	GX120UT2-SJD2-NH11	42	42	M128219	3	55
E63525	7	42	GX120UT3-SJD2	1	42	M128219	3	67
E63525	7	54	GX120UT3-SJD2	1	66	M128220	10	43
E63525	7	66	H137328	41	105	M128220	5	44
E63525	14	86	H137328	2	111	M128220	10	55
E63525	14	87	H137328	2	113	M128220	5	56
E63525	11	92	H141123	28	95	M128220	10	67
E63525	7	95	H143834	27	95	M128220	5	68
ET10278	2	96	H77698	25	153	M128222	11	47
ET10285	22	127	H77698	25	169	M128222	11	59
ET10983	5	146	H77698	38	95	M128222	11	71
ET10987	32	105	JD10181	4	100	M128223	14	47
ET11010	14	95	JD10181	7	101	M128223	14	59
ET11053	2	109	JD5779	5	177	M128223	14	71
ET11053	37	111	JD5779	33	95	M128225	11	43
ET11053	37	113	JD7759	10	123	M128225	11	55
ET11065	14	155	JD7759	8	130	M128225	11	67
ET11066	3	107	JD7842	2	116	M128226	10	47
ET11070	21	109	JD7842	2	118	M128226	10	59
ET11070	21	111	JD7842	3	119	M128226	10	71
ET11070	21	113	JD7842	2	121	M128227	8	44
ET11073	14	109	JD7842	3	122	M128227	3	52
ET11073	28	111	JD7842	2	128	M128227	8	56
ET11073	28	113	JD7842	2	129	M128227	8	68
ET11079	23	127	JD7844	33	105	M128235	9	44
ET11081	24	127	JD7844	5	109	M128235	9	56
ET11089	8	146	JD7844	29	111	M128235	9	68
ET11089	6	149	JD7844	29	113	M128236	5	50
ET11089	6	173	JD7844	2	117	M128236	5	62
ET11090	9	146	JD7844	2	120	M128236	5	74
ET11090	7	149	JD7844	14	125	M128237	3	50
ET11090	7	173	JD7844	3	127	M128237	3	62
ET11138	19	99	JD7844	24	137	M128237	3	74
ET11345	9	95	JD7844	4	143	M128240	2	90
ET11351	11	95	JD7844	35	155	M128246	5	49
ET11356	15	155	JD7844	3	166	M128246	5	61
ET11367	23	109	JD8188	6	123	M128246	5	73
ET11367	23	111	JD8188	5	130	M128248	6	49
ET11367	23	113	JD8226	7	123	M128248	6	61
ET11368	13	109	JD8226	6	130	M128248	6	73
ET11368	38	111	JD9326	4	127	M128251	4	49
ET11368	38	113	M112442	13	141	M128251	4	61
ET11371	16	109	M112442	33	143	M128251	4	73
ET11371	39	111	M115279	9	139	M128253	2	46
ET11371	39	113	M128194	6	45	M128255	3	46
ET11372	20	109	M128195	7	45	M128255	3	58
ET11372	22	111	M128196	8	45	M128255	3	70
ET11372	22	113	M128196	8	57	M128257	4	46
ET11379	10	146	M128196	8	69	M128257	4	58
ET11379	8	149	M128197	2	52	M128257	4	70
ET11379	8	173	M128199	3	45	M128259	5	46
ET11380	11	146	M128199	1	52	M128260	1	46
ET11380	9	149	M128199	3	57	M128260	1	58
ET11380	9	173	M128199	3	69	M128260	1	70
ET11464	1	109	M128200	13	45	M128261	7	46

Numerical Index - Continued

Part No.	Key	Page	Part No.	Key	Page	Part No.	Key	Page
M128262	8	46	M128304	29	81	M146809	15	99
M128263	9	46	M128304	17	83	M146811	9	99
M128263	9	58	M128304	28	83	M146813	14	99
M128263	9	70	M128305	2	81	M146819	13	99
M128264	10	46	M128305	2	83	M147852	11	86
M128266	12	46	M128306	4	52	M147852	11	87
M128266	12	58	M128306	1	81	M147853	7A	86
M128266	12	70	M128306	1	83	M147854	9	86
M128267	13	46	M128307	26	81	M147854	9	87
M128268	14	46	M128307	26	83	M147855	5	86
M128268	14	58	M128308	5	52	M147905	6	84
M128268	14	70	M128308	3	81	M147913	11	46
M128269	15	46	M128308	3	83	M148268	46	111
M128269	15	58	M128309	12	81	M148268	46	113
M128269	15	70	M128309	12	83	M148268	2	125
M128270	4	48	M128310	10	81	M149301	10	48
M128270	4	60	M128310	10	83	M149301	10	60
M128270	4	72	M128311	11	81	M149301	10	72
M128271	5	48	M128311	11	83	M159780	15	141
M128271	5	60	M128312	13	81	M159780	35	143
M128271	5	72	M128312	29	81	M41394	5	137
M128272	6	48	M128312	13	83	M41394	24	143
M128272	6	60	M128312	28	83	M44162	19	109
M128272	6	72	M128313	18	81	M44162	24	111
M128273	1	48	M128313	18	83	M44162	24	113
M128273	1	60	M128314	9	81	M48238	22	137
M128273	1	72	M128314	9	83	M48238	25	143
M128275	3	48	M128315	15	81	M71442	10	151
M128275	5	90	M128315	15	83	M73027	11	151
M128277	1	45	M128316	20	81	M76442	21	141
M128277	2	47	M128316	20	83	M76442	40	143
M128277	2	48	M128317	20	81	M78480	25	153
M128277	1	57	M128317	20	83	M78480	25	169
M128277	2	59	M128318	20	81	M802355	31	105
M128277	2	60	M128319	8	84	M84972	7	139
M128277	1	69	M128319	8	85	M84972	14	141
M128277	2	71	M128322	2	84	M84972	34	143
M128277	2	72	M128323	4	84	MIA10648	1	51
M128278	1	47	M128323	4	85	MIA11041	5	45
M128278	7	48	M128324	11	84	MIA11043	4	44
M128278	1	59	M128325	10	84	MIA11043	4	56
M128278	7	60	M128325	10	85	MIA11043	4	68
M128278	1	71	M128329	1	84	MIA11046	3	49
M128278	7	72	M128329	1	85	MIA11047	3	49
M128283	8	51	M128332	6	52	MIA11049	4	50
M128283	8	63	M128333	6	86	MIA11051	3	47
M128283	8	75	M128333	6	87	MIA11583	1	42
M128285	10	51	M128335	10	78	MIA11595	9	43
M128286	14	51	M128335	10	79	MIA11596	7	44
M128286	14	63	M128336	7	78	MIA11596	7	56
M128286	14	75	M128344	6	78	MIA11596	7	68
M128289	13	63	M128344	6	79	MIA11597	2	44
M128289	13	75	M128347	8	79	MIA11597	2	56
M128290	21	47	M128362	9	47	MIA11597	2	68
M128291	24	47	M128362	9	59	MIA11598	1	49
M128291	24	59	M128362	9	71	MIA11599	7	49
M128291	24	71	M128364	5	47	MIA11599	7	61
M128292	19	47	M128364	5	59	MIA11599	7	73
M128293	23	47	M128364	5	71	MIA11600	22	81
M128294	13	47	M131633	18	151	MIA11600	22	83
M128295	7	47	M131633	1	153	MIA11601	4	81
M128295	7	59	M131633	16	153	MIA11602	2	78
M128295	7	71	M131633	6	74	MIA11603	1	90
M128296	8	47	M131634	20	151	MIA11604	3	90
M128296	8	59	M131634	1	153	MIA11848	1	42
M128296	8	71	M131634	17	153	MIA12082	1	42
M128297	4	47	M131634	7	74	MIA12210	1	42
M128297	4	59	M131635	21	151	MIA12397	1	51
M128297	4	71	M131635	1	153	MIA12398	4	81
M128298	6	47	M131635	18	153	MIA12399	11	84
M128298	6	59	M134750	4	43	MIA12399	9	84
M128298	6	71	M134750	4	55	MIA12400	2	78
M128299	16	47	M134750	4	67	MIA12401	3	47
M128299	16	59	M140214	17	47	MIA12654	1	42
M128299	16	71	M140214	17	59	MIU11107	8	78
M128300	12	47	M140214	17	71	MIU11128	3	51
M128300	12	59	M140215	15	47	MIU11129	4	51
M128300	12	71	M140215	15	59	MIU11130	5	51
M128301	20	47	M140215	15	71	MIU11130	5	63
M128302	6	81	M143618	2	86	MIU11130	5	75
M128302	6	83	M143618	2	87	MIU11131	6	51
M128303	19	81	M146729	34	95	MIU11132	7	51
M128304	17	81	M146803	2	99	MIU11132	7	63

Numerical Index - Continued

<i>Part No.</i>	<i>Key</i>	<i>Page</i>	<i>Part No.</i>	<i>Key</i>	<i>Page</i>	<i>Part No.</i>	<i>Key</i>	<i>Page</i>
MIU11132	7	75	MIU13881	6	85	MT7066	27	127
MIU11133	9	51	MIU13882	11	84	MT7071	17	105
MIU11134	15	51	MIU13882	11	85	MT7071	14	111
MIU11134	10	63	MIU13883	12	84	MT7071	14	113
MIU11134	10	75	MIU13884	1B	86	MT7090	15	151
MIU11135	13	51	MIU13884	1	87	MT7090	5	153
MIU11136	2	50	MIU13885	7B	86	MT7090	5	169
MIU11459	2	45	MIU13885	7	87	MT7093	22	155
MIU11460	15	43	MIU13886	5	86	MT7095	23	155
MIU11460	15	55	MIU13886	5	87	MT7101	21	105
MIU11460	15	67	MIU13887	1B	78	MT7111	3	161
MIU11461	6	44	MIU13887	1	79	MT7111	2	164
MIU11461	6	56	MIU13888	13	47	MT7134	8	105
MIU11461	6	68	MIU13889	18	47	MT7157	17	99
MIU11462	8	49	MIU13889	18	59	MT7160	1	177
MIU11463	8	49	MIU13889	18	71	MT7160	39	95
MIU11464	3	84	MIU14070	1	184	MT7168	6	95
MIU11464	5	84	MIU14070	14	54	MT7170	15	135
MIU11465	7	84	MIU14071	2	184	MT7170	2	177
MIU11465	7	85	MIU14072	3	184	MT7173	34	105
MIU11466	10	86	MT1041	12	95	MT7182	8	100
MIU11466	10	87	MT1160	12	109	MT7182	9	101
MIU11467	3	78	MT1160	30	111	MT7184	12	146
MIU11467	3	79	MT1160	30	113	MT7184	10	149
MIU11469	1	184	MT1200	15	95	MT7184	10	173
MIU12379	10	45	MT1210	17	155	MT7207	4	181
MIU12379	2	52	MT1608	26	137	MT7208	1	177
MIU12380	3	44	MT1608	29	143	MT7208	3	183
MIU12380	3	56	MT1609	13	137	MT7219	5	183
MIU12380	3	68	MT1609	1	143	MT7234	4	183
MIU12381	10	46	MT2108	10	109	MT7236	30	137
MIU12382	6	52	MT2108	31	111	MT7237	25	109
MIU12382	4	86	MT2108	31	113	MT7237	4	111
MIU12382	4	87	MT2138	5	181	MT7237	4	113
MIU12383	9	78	MT2176	25	127	MT7247	7	127
MIU12383	9	79	MT2485	50	105	MT7250	6	127
MIU12384	1	50	MT2938	29	137	MT7254	3	181
MIU12384	1	62	MT3153	28	105	MT7280	5	161
MIU12384	1	74	MT3153	5	42	MT7291	24	155
MIU12385	5	179	MT3153	5	54	MT7293	13	105
MIU13001	6	181	MT3153	5	66	MT7314	2	107
MIU13002	7	181	MT3366	2	179	MT7314	34	111
MIU13003	6	183	MT3366	4	184	MT7314	34	113
MIU13004	7	183	MT3366	13	54	MT7316	6	161
MIU13862	2	45	MT3366	13	66	MT7322	4	95
MIU13863	12	45	MT3367	1	183	MT7323	44	105
MIU13863	7	57	MT3368	2	181	MT7325	28	137
MIU13863	7	69	MT3436	6	151	MT7332	10A	66
MIU13864	4	45	MT3436	8	153	MT7332	10B	66
MIU13864	4	57	MT3436	8	169	MT7332	1	95
MIU13864	4	69	MT3437	5	151	MT7333	23	95
MIU13865	11	46	MT4294	7	137	MT7351	3	107
MIU13865	11	58	MT4294	10	143	MT74	47	111
MIU13865	11	70	MT4313	17	137	MT74	47	113
MIU13866	7	46	MT4313	23	143	MT74	9	125
MIU13867	8	46	MT628	3	146	MT946	23	137
MIU13867	8	58	MT628	5	149	MT947	2	137
MIU13867	8	70	MT628	5	173	N101345	8	123
MIU13868	10	46	MT6517	35	105	N101345	10	130
MIU13869	8	48	MT6517	47	105	N198341	7	161
MIU13870	2	51	MT6517	3	179	P44946	8	109
MIU13870	2	63	MT6606	1	181	P44946	27	111
MIU13870	2	75	MT6732	2	183	P44946	27	113
MIU13871	3	51	MT6810	9	127	R104570	29	153
MIU13872	11	51	MT6811	5	127	R104570	24	169
MIU13872	11	63	MT6821	18	155	R104933	29	153
MIU13872	11	75	MT6825	19	155	R104933	24	169
MIU13873	12	51	MT6828	36	155	R27573	25	137
MIU13873	12	63	MT6833	27	155	R44096	35	137
MIU13873	12	75	MT6901	20	155	R44097	34	137
MIU13874	23B	81	MT6907	21	155	R463R	3	99
MIU13874	23	83	MT6909	37	155	R65597	10	151
MIU13875	24	81	MT6937	3	162	R72660	37	95
MIU13875	24	83	MT6939	5	162	R76134	8	161
MIU13876	25	81	MT6948	30	105	R78054	28	153
MIU13876	25	83	MT6952	22	109	R78054	18	169
MIU13877	19	81	MT6973	4	105	R78060	14	153
MIU13878	20	81	MT6974	2	105	R78060	14	169
MIU13878	20	83	MT6980	27	109	R78061	28	153
MIU13879	27	81	MT6980	18	111	R78061	18	169
MIU13879	27	83	MT6980	18	113	R78064	14	153
MIU13880	2	84	MT7059	36	105	R78064	14	169
MIU13881	6	84	MT7066	16	105	R78064	8	171

Numerical Index - Continued

Part No.	Key	Page	Part No.	Key	Page	Part No.	Key	Page
R78065	13	153	TCU26573	40	95	UC24486	1	73
R78065	13	169	TCU26613	9	159	UC24489	8	61
R78065	10	171	TCU26727	19	105	UC24489	8	73
RE12364	14	153	TCU26729	12	111	UC24490	2	58
RE12364	14	169	TCU26729	12	113	UC24490	2	70
RE12364	8	171	TCU26729	19	125	UC24491	5	46
SW35COUS	10	100	TCU27195	50	111	UC24491	5	58
SW35COUS	12	100	TCU27195	50	113	UC24491	5	70
SW35COUS	13	101	TCU27195	5	125	UC24492	7	58
SW35COUS	14	101	TCU27318	11	125	UC24492	7	70
SW35COUS	16	101	TCU27319	35	111	UC24493	13	58
SW35OLUS	10	100	TCU27319	35	113	UC24493	13	70
SW35OLUS	13	100	TCU27319	16	125	UC24494	3	63
SW35OLUS	13	101	TCU27443	10	159	UC24494	3	75
SW35OLUS	14	101	TCU27444	11	159	UC24495	4	63
SW35OLUS	15	101	TCU27445	12	159	UC24495	4	75
T28586	25	151	TCU27446	13	159	UC24496	6	63
T28586	31	151	TCU27447	14	159	UC24496	6	75
T34067	10	151	TCU27448	15	159	UC24498	9	63
T34067	25	151	TCU27506	16	159	UC24498	9	75
T35986	20	137	TCU28207	1	132	UC24499	19	81
T391181	4	141	TCU28211	1	105	UC24500	20	81
T391181	18	143	TCU28212	3	105	UC24500	34	83
T391198	1	141	TCU28222	17	135	UC24500	4	83
T391198	15	143	TCU28222	3	177	UC24501	8	81
T394028	3	141	TCU28638	27	137	UC24501	8	83
T394028	17	143	TCU28895	42	105	UC24502	3	84
TCA16576	25	155	TCU29522	7	105	UC24502	5	84
TCA16577	28	155	TCU29523	43	105	UC24502	3	85
TCA16578	31	155	TCU29767	16	159	UC24502	5	85
TCA16595	10	100	TCU29933	8	92	UC24503	2	84
TCA16595	13	101	TCU33500	29	95	UC24503	2	85
TCA16596	14	101	TCU33742	3	164	UC24504	12	84
TCA19705	10	125	TCU36128	13	86	UC24504	12	85
TCA19986	32	155	TCU40491	51	111	UC24506	7	78
TCA19987	38	155	TCU40491	51	113	UC24506	7	79
TCA20116	9	135	TCU40491	3	125	UC24507	4	62
TCA22836	1	116	U46731	9	123	UC24507	4	74
TCA22836	1	117	U46731	4	130	UC24508	2	62
TCA22836	1	118	UC13164	45	105	UC24508	2	74
TCA22836	2	119	UC13164	4	179	UC24510	3	60
TCA22836	3	120	UC13425	19	105	UC24510	3	72
TCA22836	1	121	UC13425	17	111	UC24511	21	59
TCA22836	2	122	UC13425	17	113	UC24511	3	59
TCA22836	1	128	UC13425	21	125	UC24511	21	71
TCA22836	1	129	UC16102	54	111	UC24511	3	71
TCA22836	2	166	UC16102	54	113	UC24512	19	59
TCA23623	1	107	UC16102	1	125	UC24512	19	71
TCA23639	6	99	UC16110	52	111	UC24513	23	59
TCA24475	13	86	UC16110	52	113	UC24513	23	71
TCA24475	13	87	UC16110	11	125	UC24514	13	59
TCU13001	39	155	UC16113	42	155	UC24514	13	71
TCU14151	40	155	UC16133	29	137	UC24515	20	59
TCU17574	18	141	UC16133	7	143	UC24515	20	71
TCU17574	38	143	UC16134	30	137	UC25118	6	177
TCU21548	41	155	UC16134	21	143	UC25118	6	179
TCU22578	16	135	UC16135	28	137	UC25860	19	83
TCU22578	4	177	UC16135	8	143	UC27387	8	139
TCU22960	2	100	UC16469	22	109	UC27721	21	153
TCU22960	17	101	UC16469	20	111	UC27721	21	169
TCU22961	1	101	UC16469	20	113	UC27721	6	171
TCU22962	12	101	UC16472	24	155	UC27985	1	153
TCU22962	6	109	UC16619	10	46	UC27985	30	153
TCU22962	15	111	UC16619	10	58	UC27985	26	169
TCU22962	15	113	UC16619	10	70	UC27985	8	74
TCU24328	48	111	UC18865	1	167	UC28156	1	167
TCU24328	48	113	UC18869	3	107	UC28163	3	107
TCU24328	4	125	UC18873	3	107	UC28536	14	149
TCU24683	3	125	UC19154	3	107	UC29133	15	149
TCU24707	42	155	UC21451	13	105	UC29133	14	173
TCU24802	10	42	UC24479	10	57	UC29268	9	100
TCU24802	10	54	UC24479	10	69	UC29268	10	101
TCU24949	1	125	UC24480	2	57	UC29268	26	127
TCU24958	11	111	UC24480	2	69	UC29273	8	183
TCU24958	11	113	UC24482	5	55	UC31441	16	141
TCU24958	17	125	UC24482	5	67	UC31441	36	143
TCU25398	9	111	UC24483	6	55	UC31537	5	60
TCU25398	9	113	UC24483	6	67	UC31537	5	72
TCU25398	20	125	UC24484	1	55	UC31808	3	139
TCU26458	49	111	UC24484	1	67	UC31809	2	139
TCU26458	49	113	UC24485	12	55	UC31810	11	139
TCU26458	15	125	UC24485	12	67	UC32350	11A	141
TCU26573	1	179	UC24486	1	61	UC32360	10	141

Numerical Index - Continued

<i>Part No.</i>	<i>Key</i>	<i>Page</i>	<i>Part No.</i>	<i>Key</i>	<i>Page</i>	<i>Part No.</i>	<i>Key</i>	<i>Page</i>
UC32360	30	143						
UC32693	5	139						
UC32695	4	139						
UC32697	6	139						
UC33621	16	173						
UC33690	10	139						
UC34367	49	105						
UC34494	17	141						
UC34494	37	143						
UC35124	19	101						
UC35125	15	100						
UC35126	3	96						
UC35127	4	96						
UC35129	19	101						
UC35129	1	96						
UC35131	15	100						
UC35131	1	96						
UC35391	19	141						
UC35391	41	143						
UC35991	3	105						
UC36570	1	105						
UC36789	42	143						
UC36791	43	143						
UC36869	11A	141						
UC36869	11B	141						
UC36869	31	143						

