

# 2750 E-Cut™ Triplex Mower



**JOHN DEERE**

## **PARTS CATALOG** 2750 E-Cut™ Triplex Mower

**PC13606 (Jan-24) English**

**John Deere Turf Care**  
Worldwide Edition  
Printed in U.S.A. (Revised)  
COPYRIGHT © 2024  
DEERE & COMPANY  
Moline, Illinois  
All rights reserved

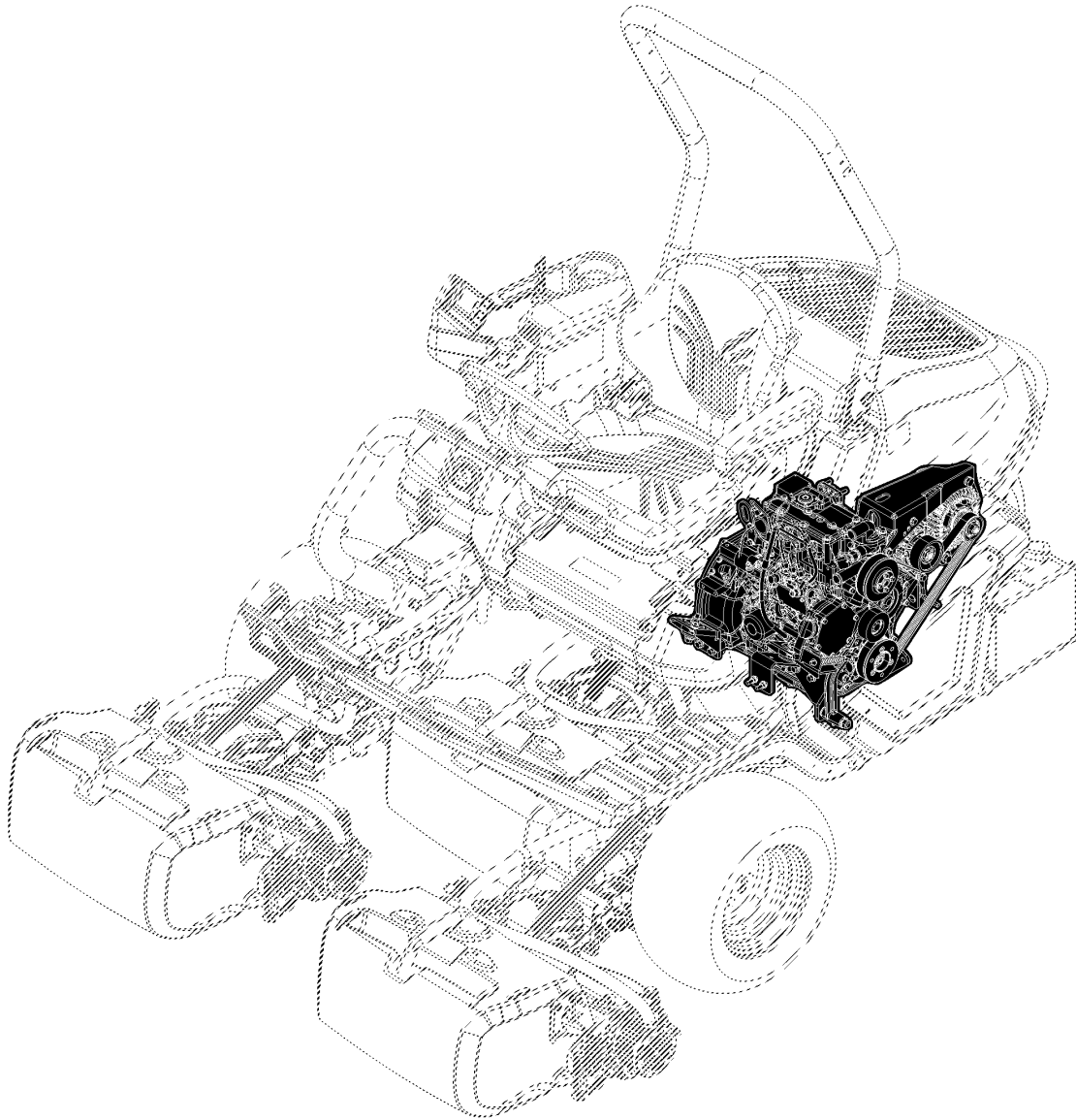




Primary Pictorial Index  
Index d'illustrations principal  
Hauptbildindex  
Indice principale illustrato  
Índice primario de ilustraciones  
Huvudbildregister

PU38883 A.1

20

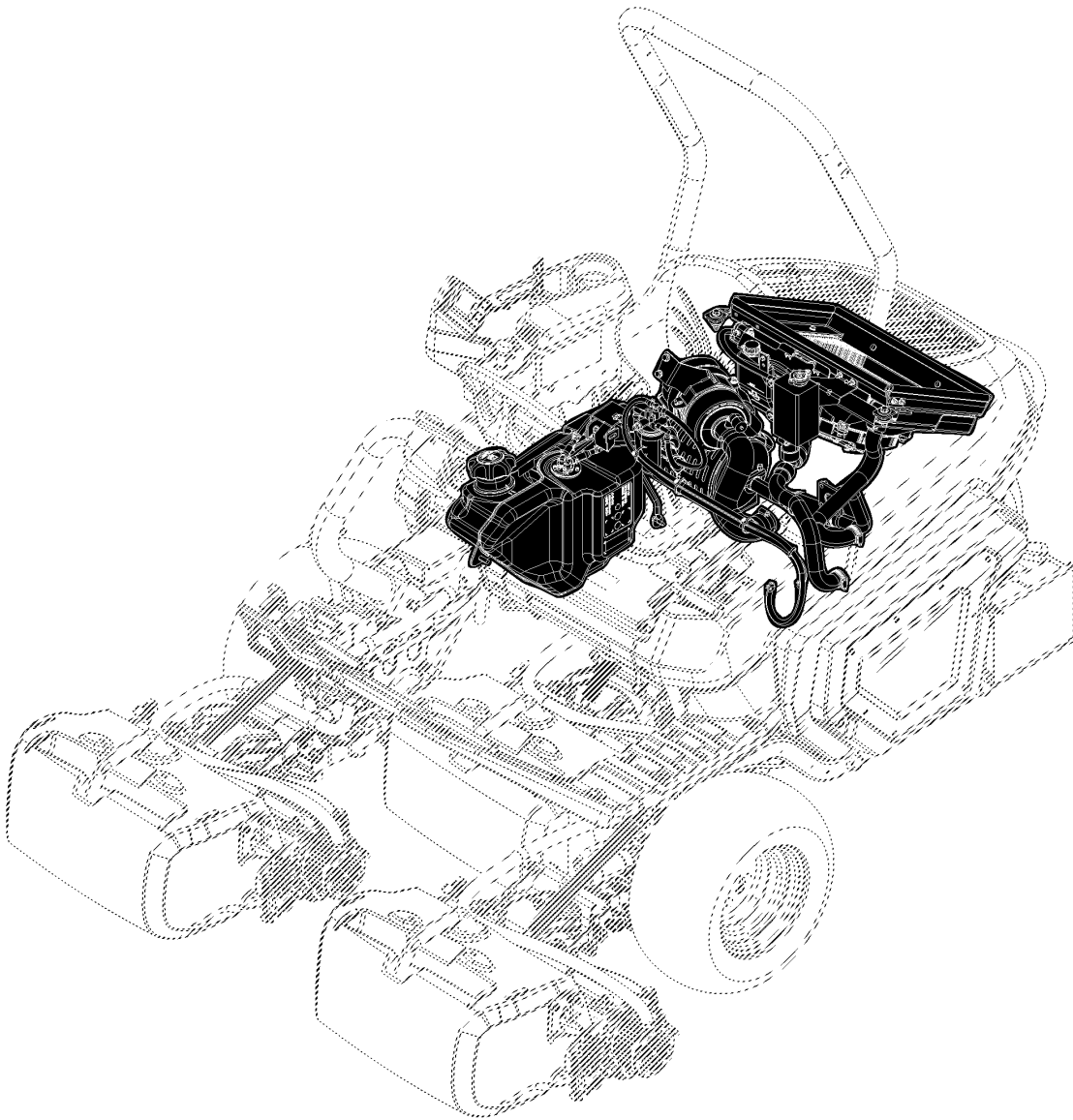


PU38883

Primary Pictorial Index  
Index d'illustrations principal  
Hauptbildindex  
Indice principale illustrato  
Índice primario de ilustraciones  
Huvudbildregister

PU38884 A.1

30



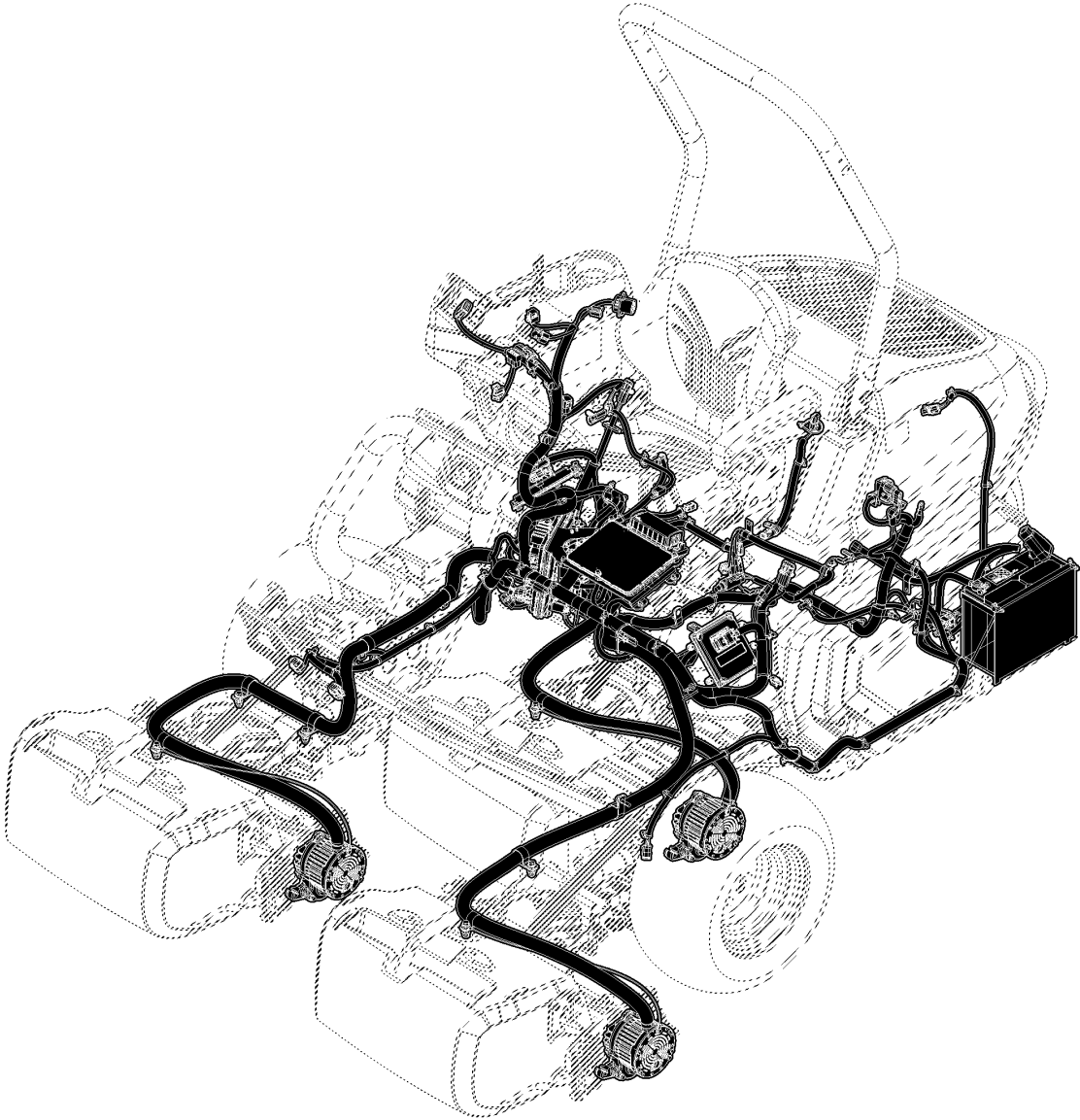
PU38884

Primary Pictorial Index  
Index d'illustrations principal  
Hauptbildindex  
Indice principale illustrato  
Índice primario de ilustraciones  
Huvudbildregister

40-	1
40-	2

PU38885 A.1

40

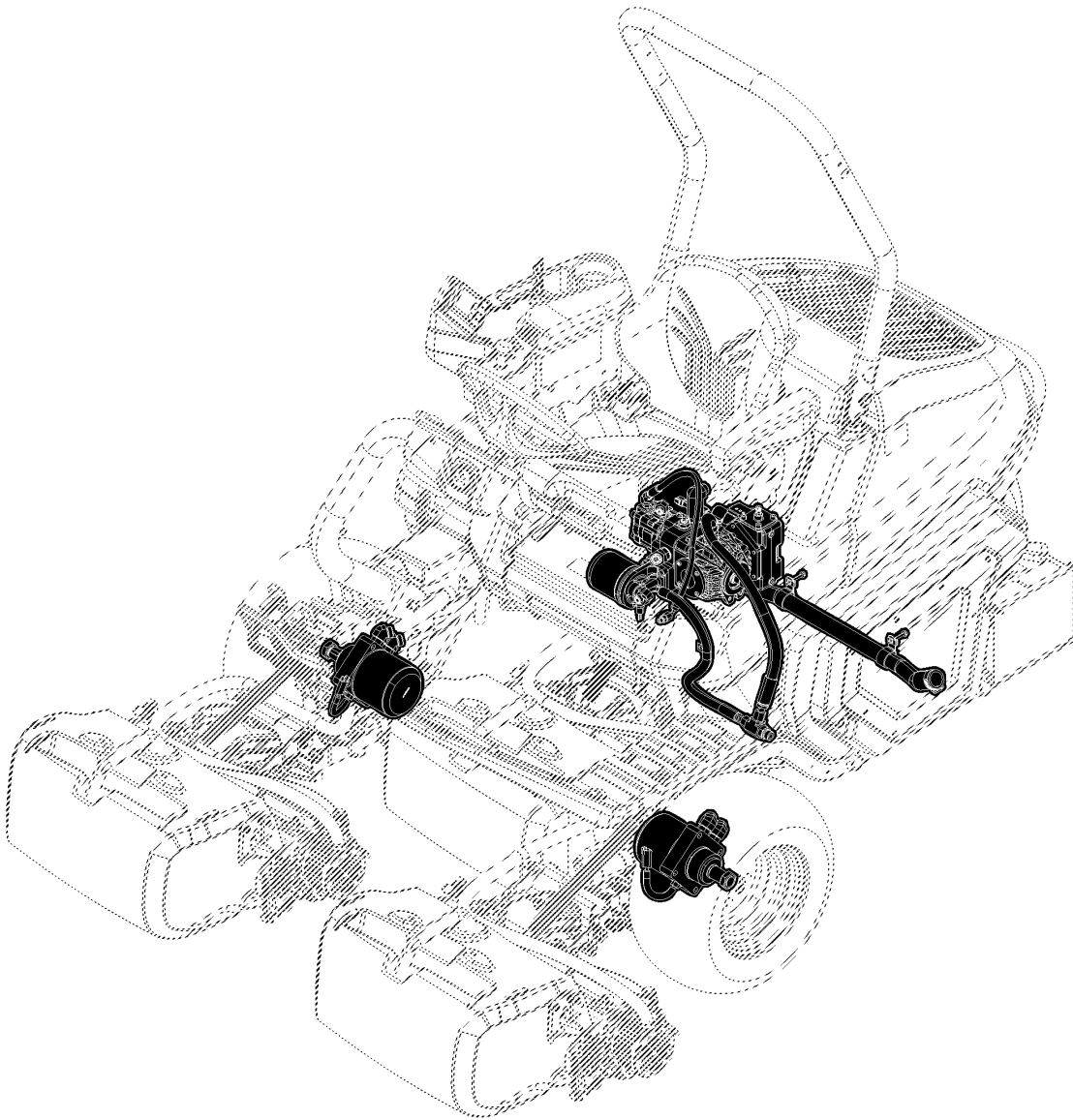


PU38885

Primary Pictorial Index  
Index d'illustrations principal  
Hauptbildindex  
Indice principale illustrato  
Índice primario de ilustraciones  
Huvudbildregister

PU38886 A.1

50

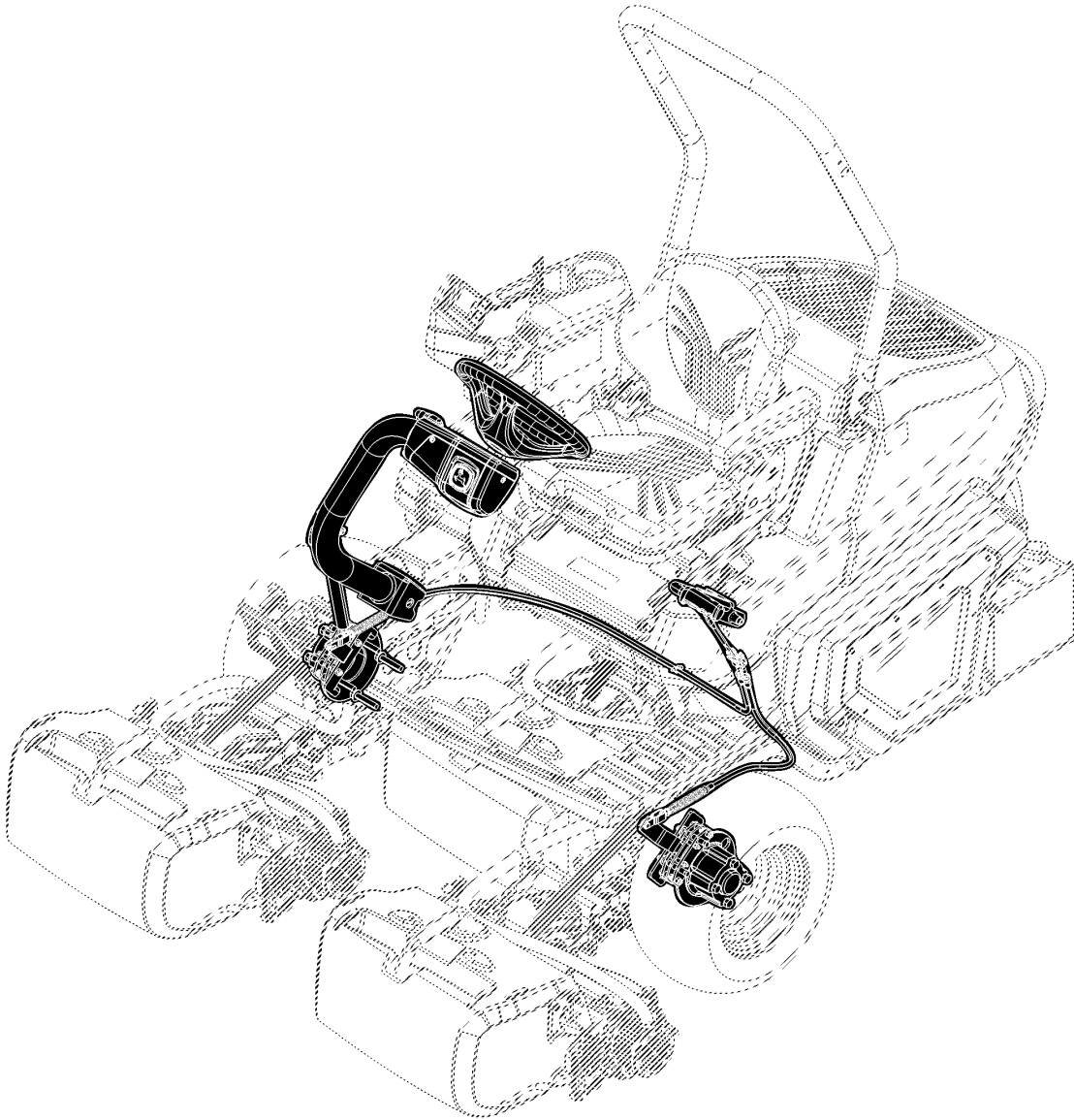


PU38886

Primary Pictorial Index  
Index d'illustrations principal  
Hauptbildindex  
Indice principale illustrato  
Índice primario de ilustraciones  
Huvudbildregister

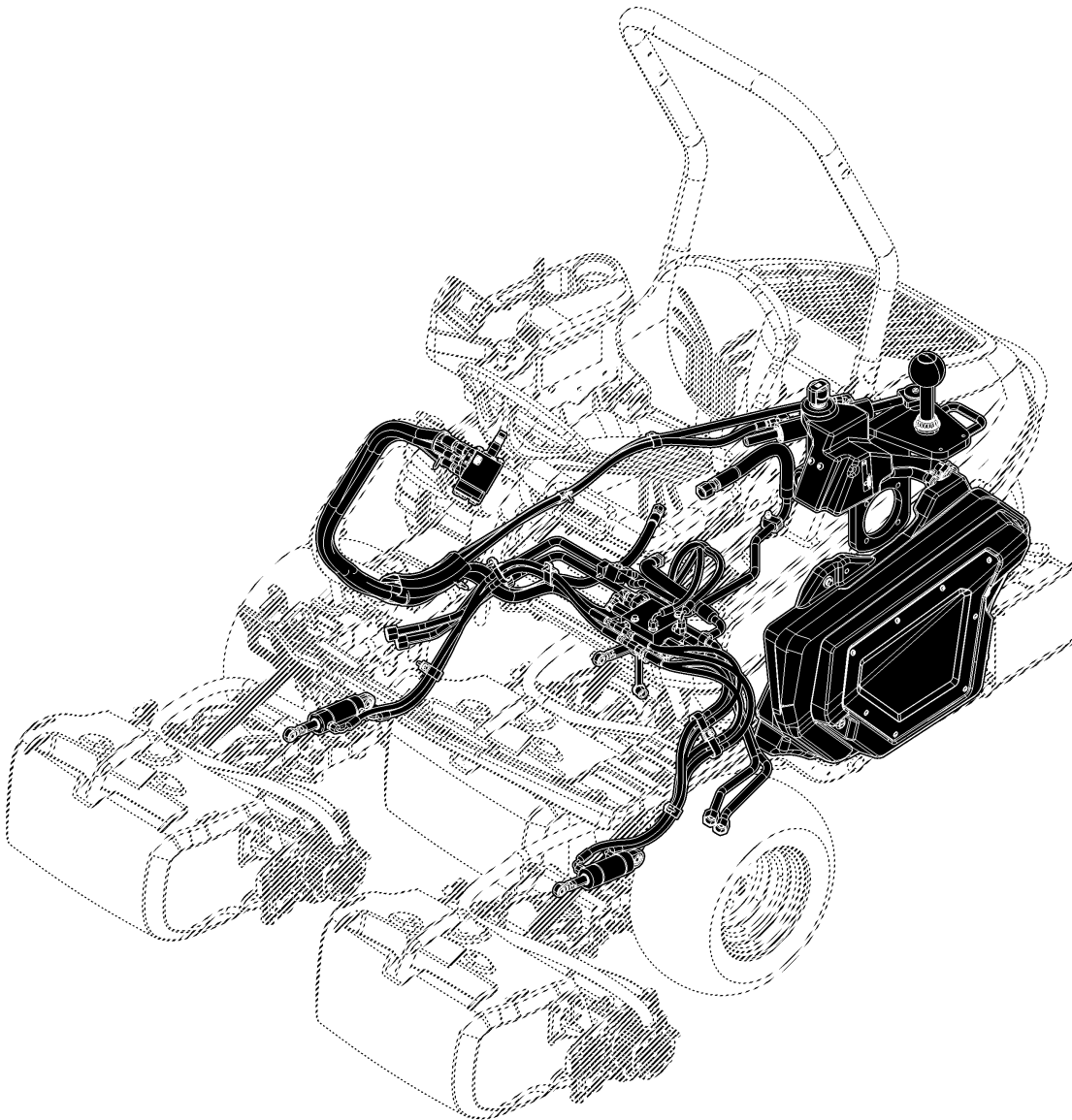
PU38887 A.1

60



PU38887

70



PU38888

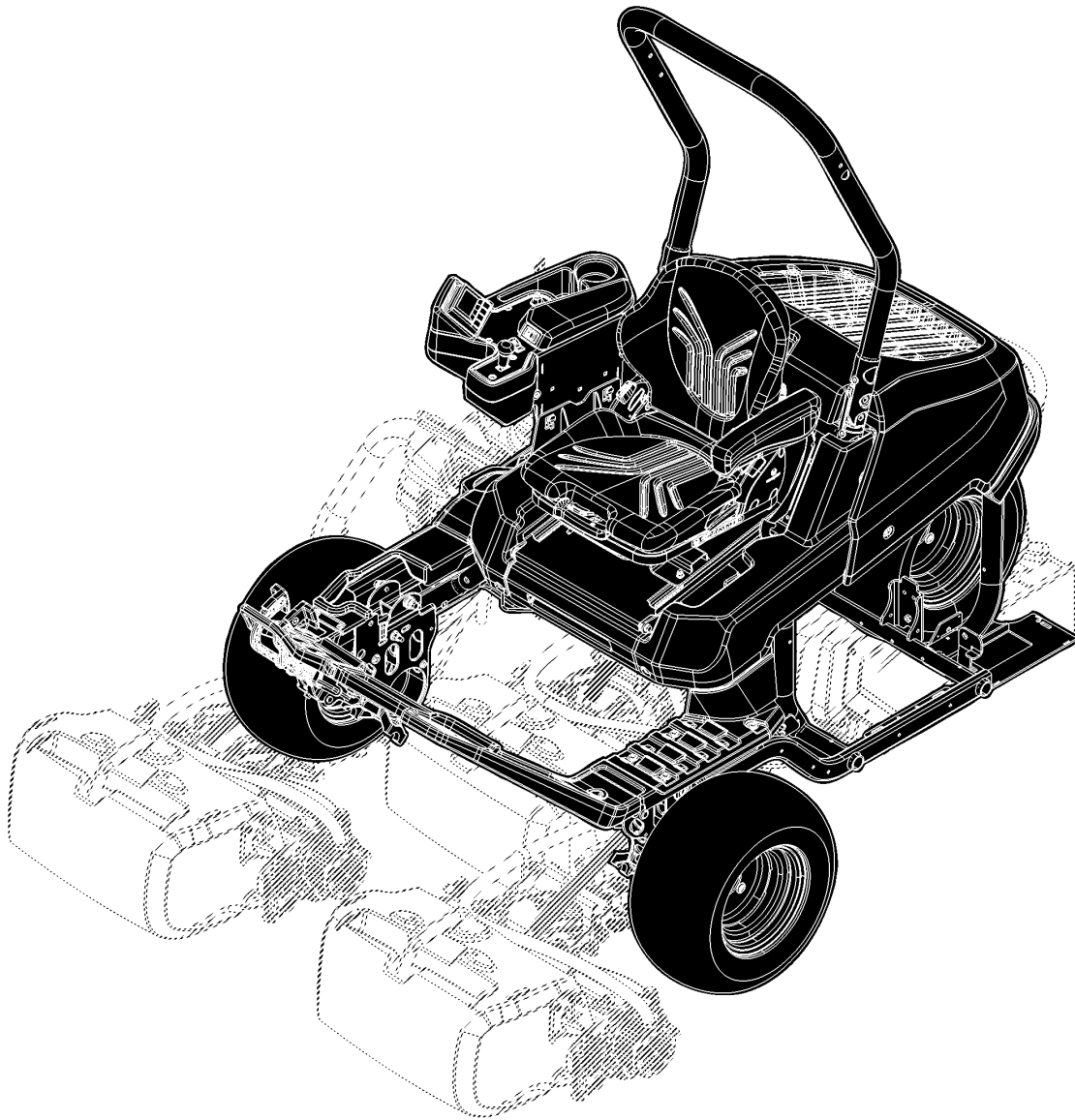


Primary Pictorial Index  
Index d'illustrations principal  
Hauptbildindex  
Indice principale illustrato  
Índice primario de ilustraciones  
Huvudbildregister

PU3889 A.1

80-	1
80-	2

80

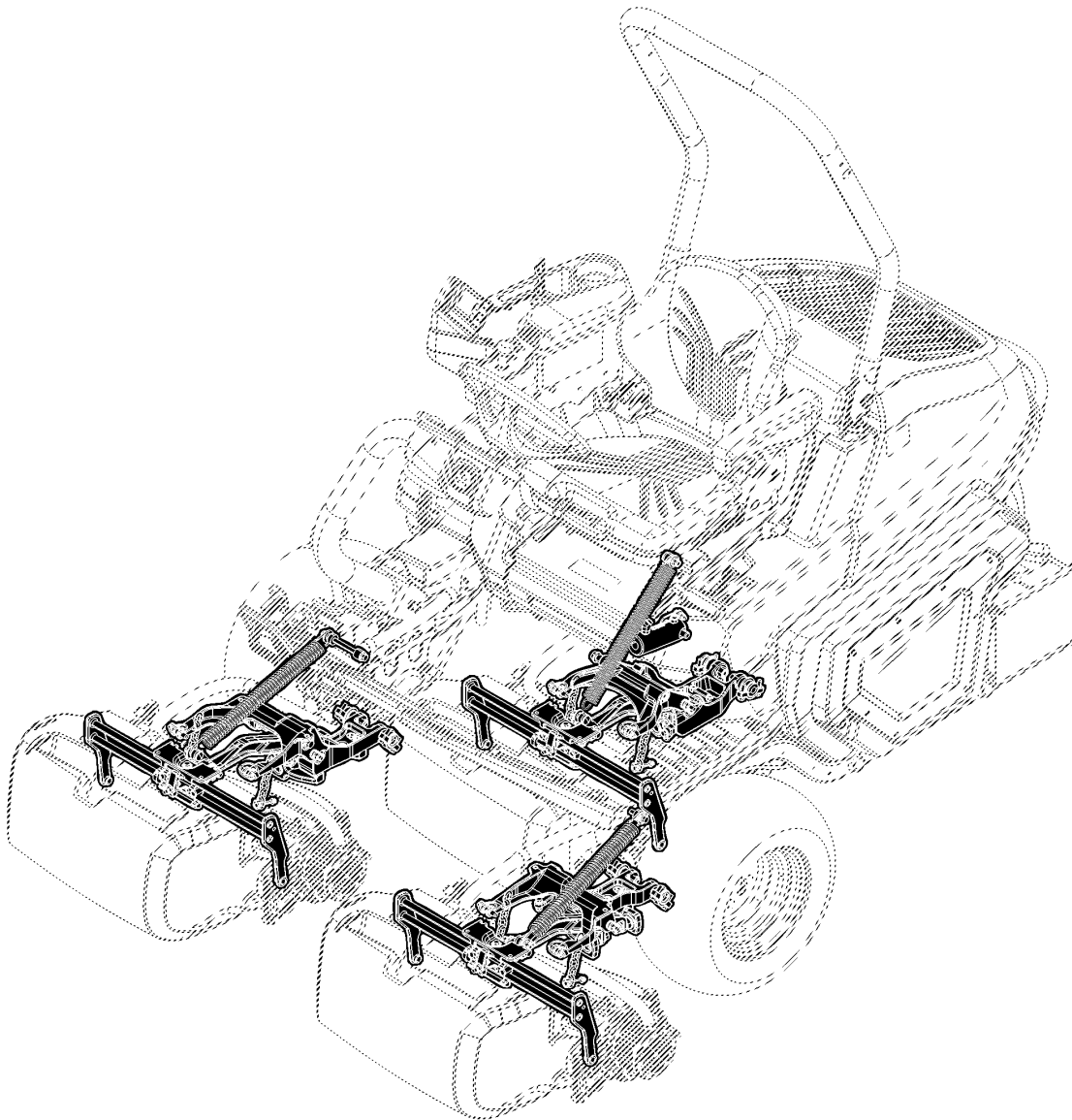


PU38889

Primary Pictorial Index  
Index d'illustrations principal  
Hauptbildindex  
Indice principale illustrato  
Índice primario de ilustraciones  
Huvudbildregister

PU38896 A.1

85

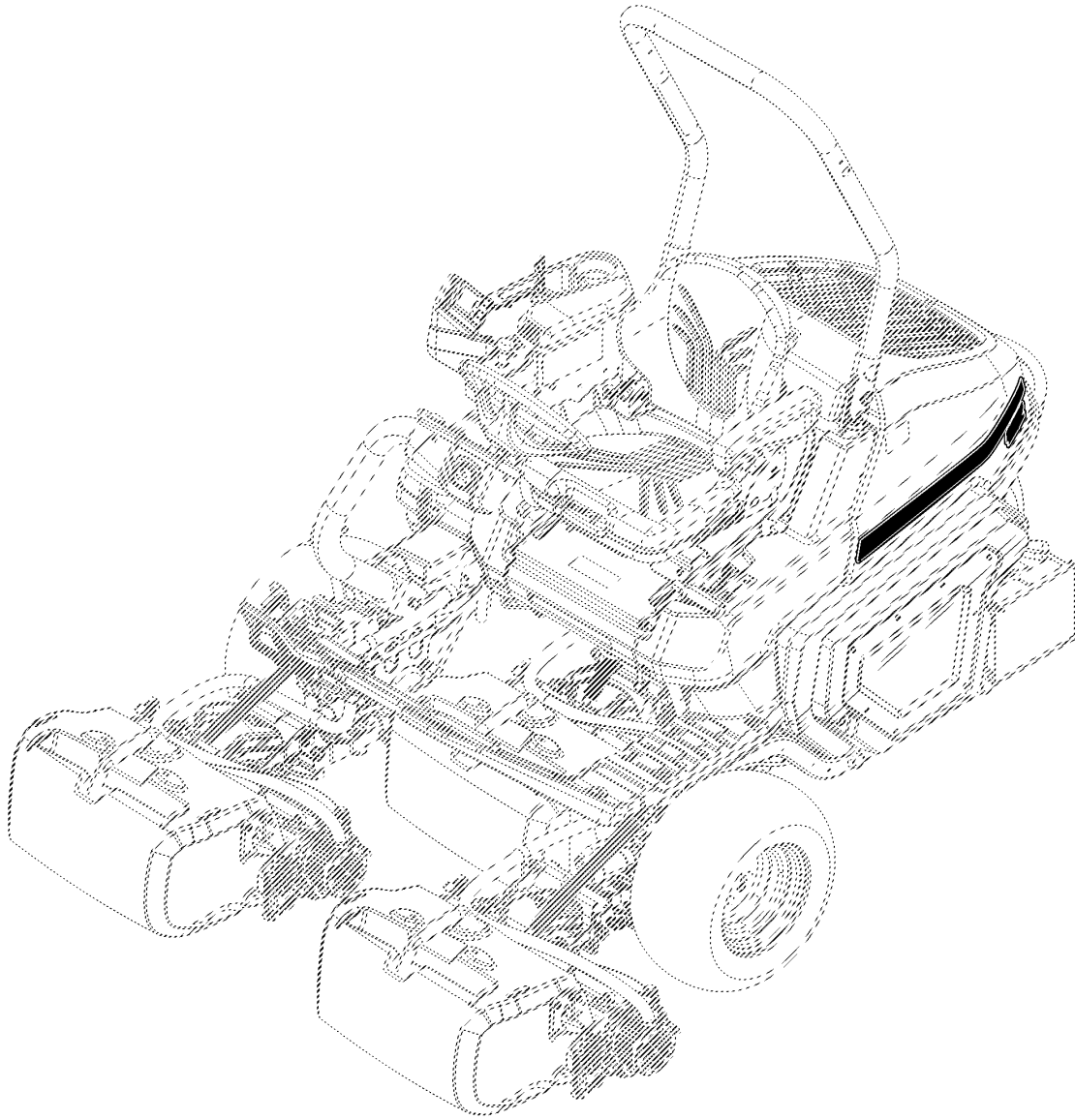


PU38896

Primary Pictorial Index  
Index d'illustrations principal  
Hauptbildindex  
Indice principale illustrato  
Índice primario de ilustraciones  
Huvudbildregister

PU38890 A.1

90

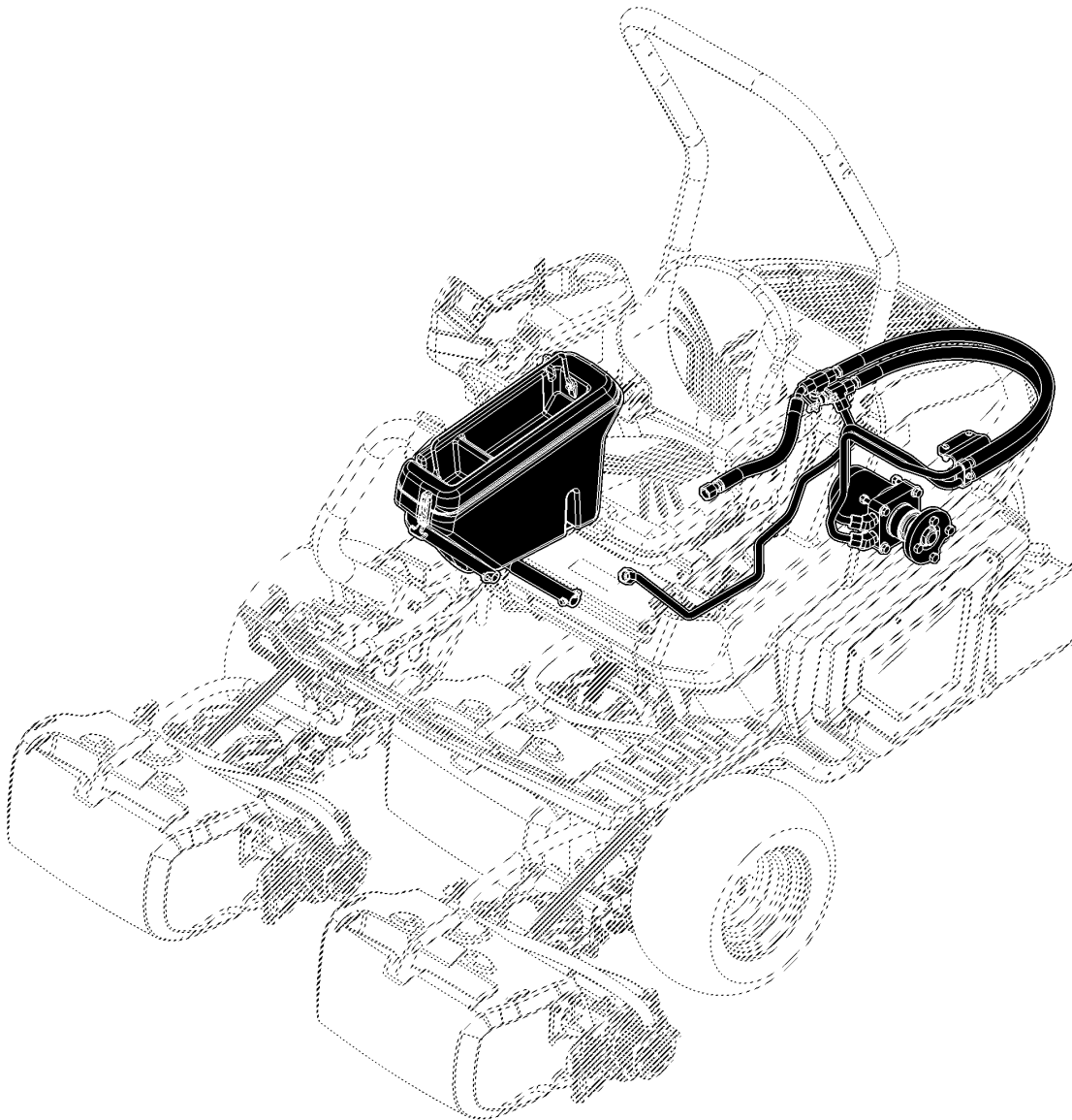


PU38890

Primary Pictorial Index  
Index d'illustrations principal  
Hauptbildindex  
Indice principale illustrato  
Índice primario de ilustraciones  
Huvudbildregister

PU38891 A.1

100

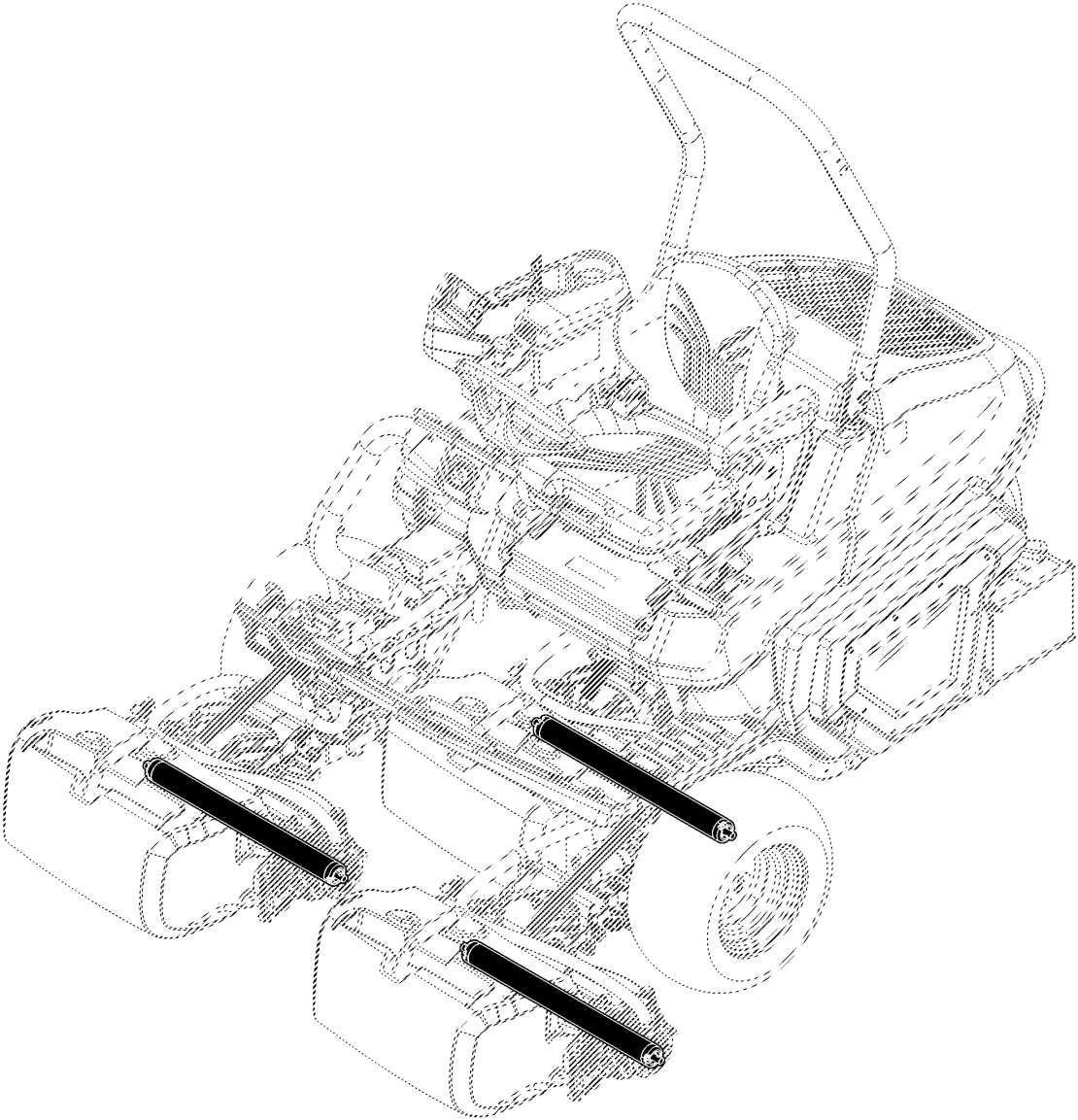


PU38891

Primary Pictorial Index  
Index d'illustrations principal  
Hauptbildindex  
Indice principale illustrato  
Índice primario de ilustraciones  
Huvudbildregister

PU38892 A.1

105

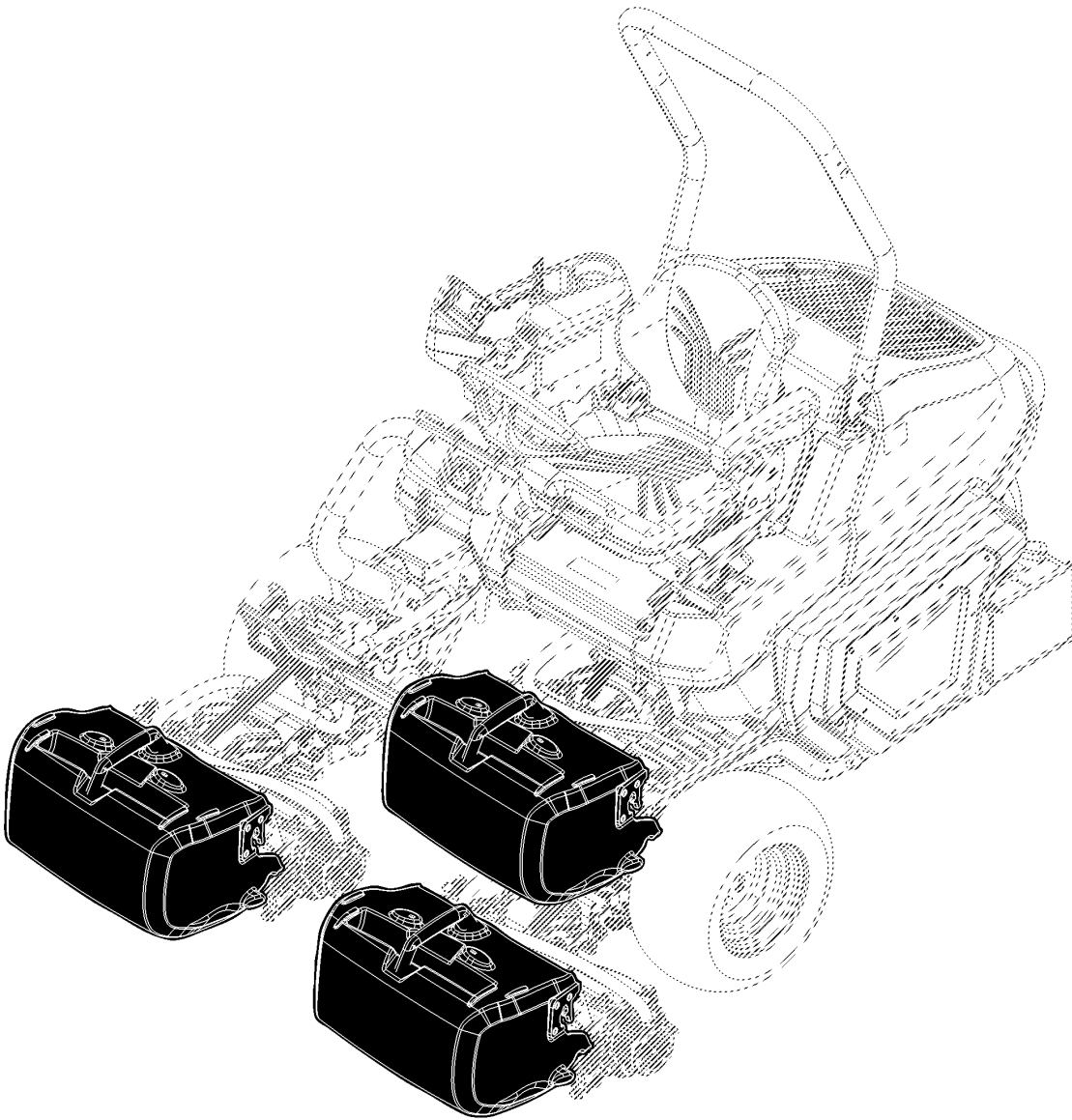


PU38892

Primary Pictorial Index  
Index d'illustrations principal  
Hauptbildindex  
Indice principale illustrato  
Índice primario de ilustraciones  
Huvudbildregister

PU38893 A.1

# 110

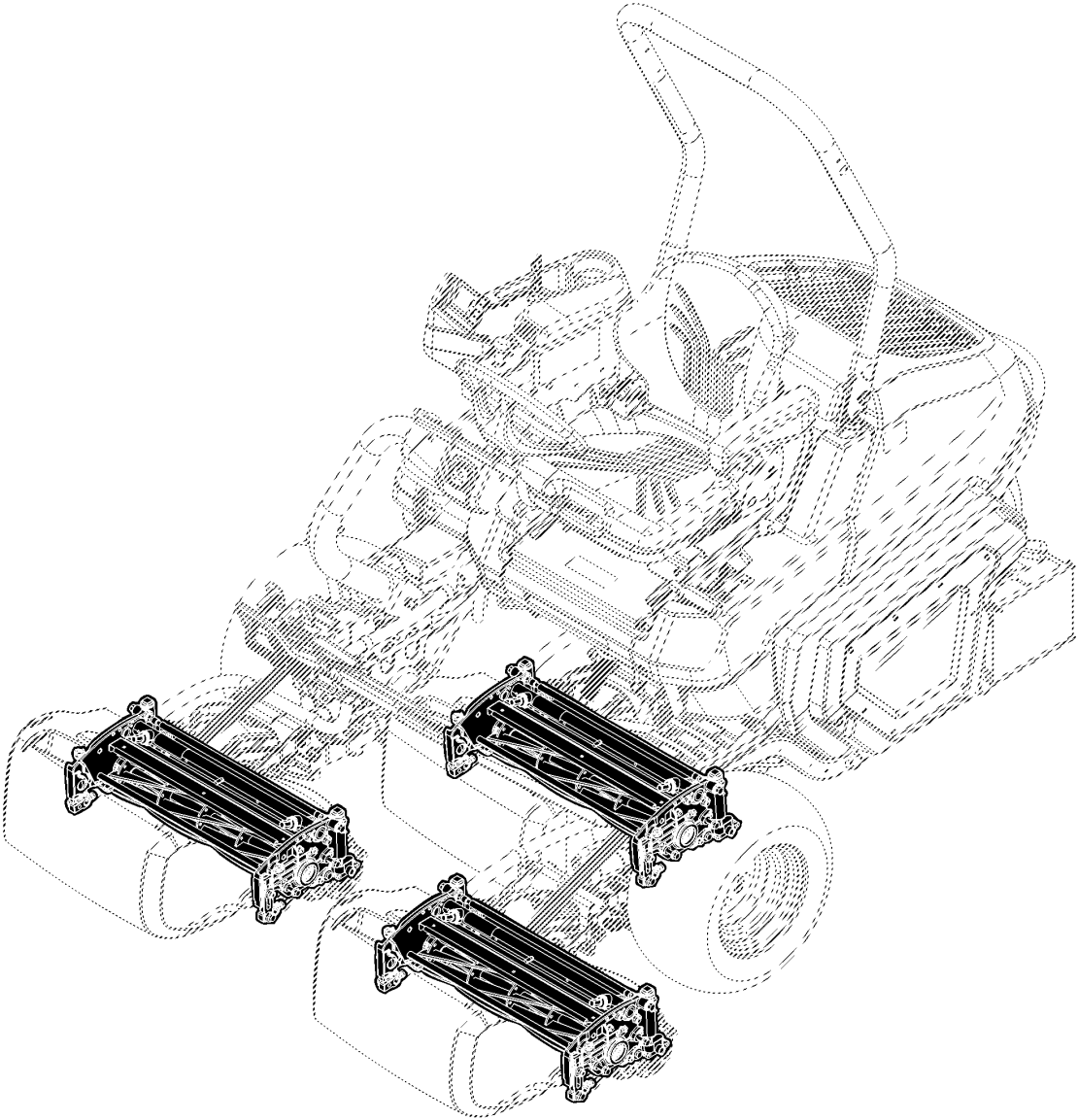


PU38893

Primary Pictorial Index  
Index d'illustrations principal  
Hauptbildindex  
Indice principale illustrato  
Índice primario de ilustraciones  
Huvudbildregister

PU38894 A.1

115

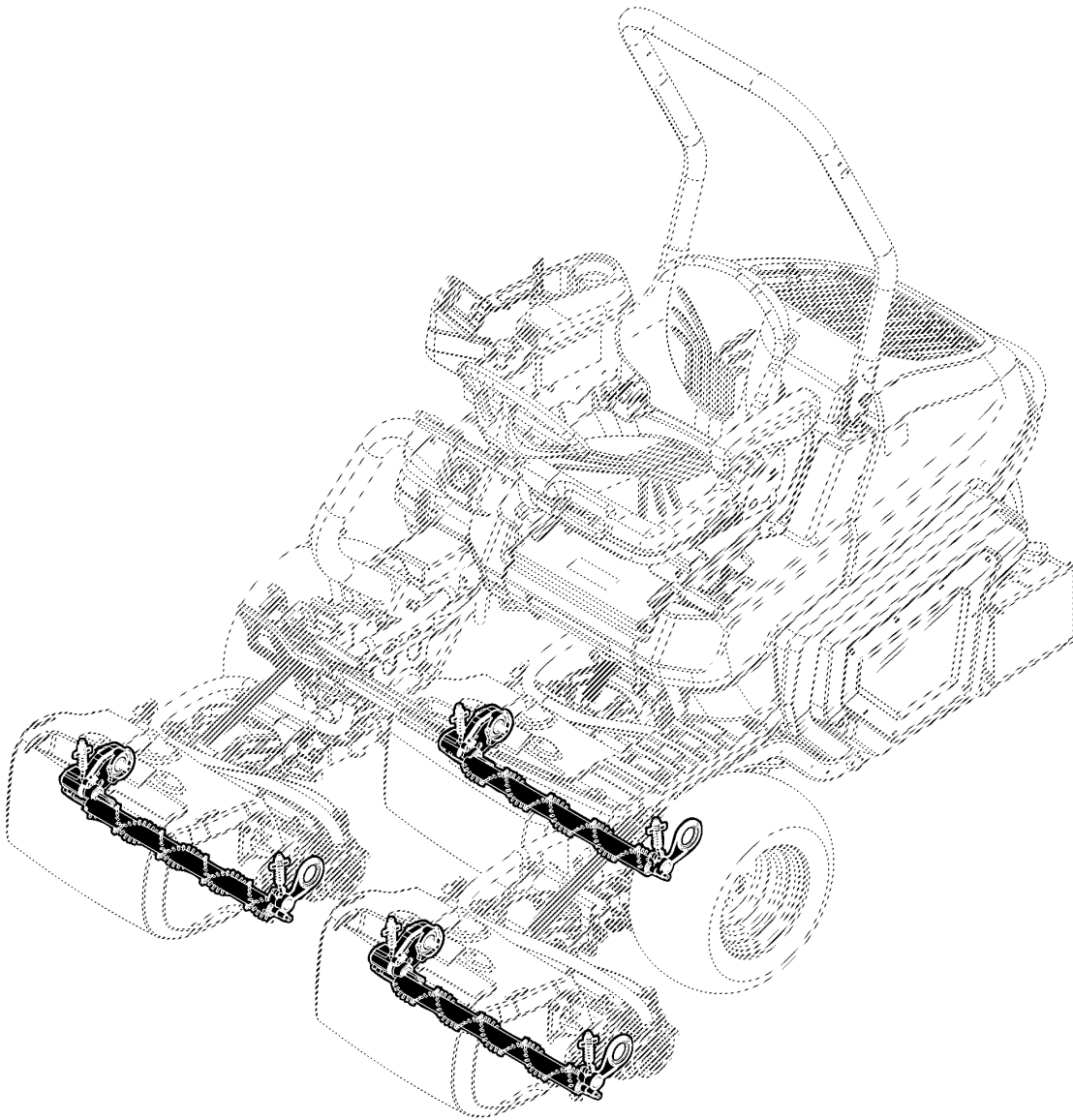


PU38894

Primary Pictorial Index  
Index d'illustrations principal  
Hauptbildindex  
Indice principale illustrato  
Índice primario de ilustraciones  
Huvudbildregister

PU38895 A.1

120



PU38895



## 2750 E-Cut™ Triplex Mower

PU38882 A.1



**PU38882**

2020 Model (Serial No. 1TC2750E++T010001– 020000)

2021 Model (Serial No. 1TC2750E++T020001– 030000)

2022 Model (Serial No. 1TC2750E++T030001–040000 )

2023 Model (Serial No. 1TC2750E++T040001–050000 )

2024 Model (Serial No. 1TC2750E++R050001– )

*(Specifications and design subject to change without notice)*

## Product Identification and Serial Number Plate

An individual product identification and serial number is assigned to each machine. When writing about or filling out warranty claims, use all the characters shown on the plate.

Example: 1TC2750E++T010001

1TC - Factory Designation (Turf Care)

2750- Model Or Machine Designation

E- Configuration Code

+ - Random Number

+ - Calendar Year of Manufacture

T- Generic for Turf Care

010001 - Serial Number

## Product Configuration Code

The configuration "alpha" code identifies a variation of a product. Example: A machine may be manufactured as a two-wheel or four-wheel drive unit, and be shipped with standard or wide cutting units; thus four variations of the same machine exist. It also identifies different products which have the same model or machine designation (a tractor and an attachment tiller may have the same model numbers). If no configuration "alpha" code is required, space is filled in with an "X".

## Serial Number Listing Information

Serial number information is listed to show on which machines each part can be used; for example:

- The part can be used on all products.
- 000000 - The part can be used on products beginning with the serial number listed.
- 000000 The part can be used on products up to and including the serial number listed.
- 000000 - 000000 The part can be used on products between and including the serial number listed.

When XXXXXX's are listed in place of a serial number, a serial number change was made, but the exact serial number was not available at the time of publication.

---

## To The Customer

The part numbers in this Parts Catalog were correct at the time of publication. Per John Deere policy, we continuously improve our products. Therefore, when ordering parts verify the part numbers with your dealer.

## SI Units of Measure

Metric dimensions are provided as applicable throughout this parts catalog.

## Bolt and Cap Screw Strength Identification

Bolts and cap screws required to have high-strength qualities equivalent to metric property class 10.9 (SAE grade 8) or higher are identified throughout this catalog by the description 10.9, 12.9 or 14.9. All standard bolts and cap screws are metric property class 8.8 (SAE grade 5) or lower.

## Illustrations

Illustrations in this catalog are only intended as a reference for dealers and customers. These illustrations do not necessarily represent the exact view of the parts.

## Box-Enclosed Illustrations

Box-enclosed keyed parts in the illustration are available as a service assembly or an attachment. These parts may also include parts not available for service. The illustrations may not show all individual parts of an attachment. A box not keyed includes non-current parts.

## Orientation Of Product

An arrow shown with an illustration is to indicate the direction of product forward travel. Right Hand (RH) and Left Hand (LH) sides are determined by product forward travel.

## Orientation of Engine

Right Hand (RH) and Left Hand (LH) sides are determined by standing at flywheel and facing the engine.

## John Deere Remanufactured Components

The REMAN parts listed in this catalog are intended for the repair or replacement of failed or worn original equipment components. John Deere Reman components are manufactured to stringent John Deere standards and produced to original John Deere specifications that incorporates the latest design and performance improvement updates.

**Ag and Turf Turf and Utility ? Trademarks**

7-Iron™	Quik-Trak™	Mulch On Demand™
Aercore™	Ready To Mow™	Trail Gator™
Auto 4x4 Wheel Drive™	RGator™	Turf Gator™
AutoConnect™	Roll-Gard™	X700™
AutoTrac™	iMatch™	ZTrak™
Buck™	John Deere™	Funk™
Gator™	SelectSpray™	iTorque™
Greens Tender™	TerrainCut™	Phoenix™
Precision Cut Reel™	E-Gator™	PowerTech™
PrecisionCut™	eHydro™	TMII™
ProGator™	EZtrak™	TMIII™

### Ag and Turf Turf and Utility ? Terms and Abbreviations

Phrase	Meaning	Phrase	Meaning
A/C	Air Conditioning	NSEP	Not Supplied Separately
ALSO ORDER	Also Order	OD	Outside Diameter
AND	and	OOS	Open Operator's Station
APPL	This Application Only	OPTION	Option
AR	As Required	OPTIONAL	Optional
ASSY	Complete Assembly	OR	Or
CNLA	Complete No Longer Available (Order Individual Parts)	ORD	Order
COMPLETE	Complete	ORD W/	Order With
CTL	Cut To Length	OS	Oversize
CW	Clockwise	OUTER	Outer
ECU	Engine Control Unit	PKG	Package of
FI	Field Installation Kit	PTO	Power Take-Off
FIP	Fuel Injection Pump	RATIO	Ratio
FOR	For	RCU	Reverser Control Unit
FRONT	Front	REAR	Rear
HS, HEAD MARKED	High Strength, Head Marked	REMAN	Remanufactured
HTC	Heater Control Unit	RH	Right Hand
ID	Inside Diameter	SCV	Selective Control Valve
INCL	Includes	STD	Standard
INCL KEYS	Including Keys	SUB	Replaced by
INCLUDE PARTS MARKED	Include Parts Marked	SUB COMPONENTS	Sub Components
INNER	Inner	SUB FOR	Substitute for
KIT	Kit	TK	Thickness
LGTH	Length	UIM	User Interface Module
LH	Left Hand	UP	Upper
LOW	Lower	US	Undersize
MARKED	Marked	USE WITH	Use With
MF	Made From	W/	With
MFWD	Mechanical Front Wheel Drive	W/O	Without
NA	Not Applicable	Z	Gear and Sprocket Teeth Number
NLA	No Longer Available		

## 2750 E-Cut™ Triplex Mower

PU38882 A.1



PU38882

2020 Model (Serial No. 1TC2750E++T010001– 020000)

2021 Model (Serial No. 1TC2750E++T020001– 030000)

2022 Model (Serial No. 1TC2750E++T030001–040000 )

2023 Model (Serial No. 1TC2750E++T040001–050000 )

2024 Model (Serial No. 1TC2750E++R050001– )

*(Specifications and design subject to change without notice)*

## Product Identification and Serial Number Plate

An individual product identification and serial number is assigned to each machine. When writing about or filling out warranty claims, use all the characters shown on the plate.

Example: 1TC2750E++T010001

- 1TC - Factory Designation (Turf Care)
- 2750- Model Or Machine Designation
- E- Configuration Code
- + - Random Number
- + - Calendar Year of Manufacture
- T- Generic for Turf Care
- 010001 - Serial Number

## Product Configuration Code

The configuration "alpha" code identifies a variation of a product. Example: A machine may be manufactured as a two-wheel or four-wheel drive unit, and be shipped with standard or wide cutting units; thus four variations of the same machine exist. It also identifies different products which have the same model or machine designation (a tractor and an attachment tiller may have the same model numbers). If no configuration "alpha" code is required, space is filled in with an "X".

## Serial Number Listing Information

Serial number information is listed to show on which machines each part can be used; for example:

- The part can be used on all products.
- 000000 - The part can be used on products beginning with the serial number listed.
- 000000 The part can be used on products up to and including the serial number listed.
- 000000 - 000000 The part can be used on products between and including the serial number listed.

When XXXXXX's are listed in place of a serial number, a serial number change was made, but the exact serial number was not available at the time of publication.

## To The Customer

The part numbers in this Parts Catalog were correct at the time of publication. Per John Deere policy, we continuously improve our products. Therefore, when ordering parts verify the part numbers with your dealer.

## SI Units of Measure

Metric dimensions are provided as applicable throughout this parts catalog.

## Bolt and Cap Screw Strength Identification

Bolts and cap screws required to have high-strength qualities equivalent to metric property class 10.9 (SAE grade 8) or higher are identified throughout this catalog by the description 10.9, 12.9 or 14.9. All standard bolts and cap screws are metric property class 8.8 (SAE grade 5) or lower.

## Illustrations

Illustrations in this catalog are only intended as a reference for dealers and customers. These illustrations do not necessarily represent the exact view of the parts.

## Box-Enclosed Illustrations

Box-enclosed keyed parts in the illustration are available as a service assembly or an attachment. These parts may also include parts not available for service. The illustrations may not show all individual parts of an attachment. A box not keyed includes non-current parts.

## Orientation Of Product

An arrow shown with an illustration is to indicate the direction of product forward travel. Right Hand (RH) and Left Hand (LH) sides are determined by product forward travel.

## Orientation of Engine

Right Hand (RH) and Left Hand (LH) sides are determined by standing at flywheel and facing the engine.

## John Deere Remanufactured Components

The REMAN parts listed in this catalog are intended for the repair or replacement of failed or worn original equipment components. John Deere Reman components are manufactured to stringent John Deere standards and produced to original John Deere specifications that incorporates the latest design and performance improvement updates.



### Ag and Turf Turf and Utility ? Trademarks

7-Iron™	Quik-Trak™	Mulch On Demand™
Aercore™	Ready To Mow™	Trail Gator™
Auto 4x4 Wheel Drive™	RGator™	Turf Gator™
AutoConnect™	Roll-Gard™	X700™
AutoTrac™	iMatch™	ZTrak™
Buck™	John Deere™	Funk™
Gator™	SelectSpray™	iTorque™
Greens Tender™	TerrainCut™	Phoenix™
Precision Cut Reel™	E-Gator™	PowerTech™
PrecisionCut™	eHydro™	TMII™
ProGator™	EZtrak™	TMIII™

**Ag and Turf Turf and Utility ? Terms and Abbreviations**

Phrase	Meaning	Phrase	Meaning
A/C	Air Conditioning	NSEP	Not Supplied Separately
ALSO ORDER	Also Order	OD	Outside Diameter
AND	and	OOS	Open Operator's Station
APPL	This Application Only	OPTION	Option
AR	As Required	OPTIONAL	Optional
ASSY	Complete Assembly	OR	Or
CNLA	Complete No Longer Available (Order Individual Parts)	ORD	Order
COMPLETE	Complete	ORD W/	Order With
CTL	Cut To Length	OS	Oversize
CW	Clockwise	OUTER	Outer
ECU	Engine Control Unit	PKG	Package of
FI	Field Installation Kit	PTO	Power Take-Off
FIP	Fuel Injection Pump	RATIO	Ratio
FOR	For	RCU	Reverser Control Unit
FRONT	Front	REAR	Rear
HS, HEAD MARKED	High Strength, Head Marked	REMAN	Remanufactured
HTC	Heater Control Unit	RH	Right Hand
ID	Inside Diameter	SCV	Selective Control Valve
INCL	Includes	STD	Standard
INCL KEYS	Including Keys	SUB	Replaced by
INCLUDE PARTS MARKED	Include Parts Marked	SUB COMPONENTS	Sub Components
INNER	Inner	SUB FOR	Substitute for
KIT	Kit	TK	Thickness
LGTH	Length	UIM	User Interface Module
LH	Left Hand	UP	Upper
LOW	Lower	US	Undersize
MARKED	Marked	USE WITH	Use With
MF	Made From	W/	With
MFWD	Mechanical Front Wheel Drive	W/O	Without
NA	Not Applicable	Z	Gear and Sprocket Teeth Number
NLA	No Longer Available		

## 2750 E-Cut™ Triplex Mower

PU38882 A.1



**PU38882**

2020 Model (Serial No. 1TC2750E++T010001– 020000)

2021 Model (Serial No. 1TC2750E++T020001– 030000)

2022 Model (Serial No. 1TC2750E++T030001–040000 )

2023 Model (Serial No. 1TC2750E++T040001–050000 )

2024 Model (Serial No. 1TC2750E++R050001– )

*(Specifications and design subject to change without notice)*

## Product Identification and Serial Number Plate

An individual product identification and serial number is assigned to each machine. When writing about or filling out warranty claims, use all the characters shown on the plate.

Example: 1TC2750E++T010001

1TC - Factory Designation (Turf Care)

2750- Model Or Machine Designation

E- Configuration Code

+ - Random Number

+ - Calendar Year of Manufacture

T- Generic for Turf Care

010001 - Serial Number

## Product Configuration Code

The configuration "alpha" code identifies a variation of a product. Example: A machine may be manufactured as a two-wheel or four-wheel drive unit, and be shipped with standard or wide cutting units; thus four variations of the same machine exist. It also identifies different products which have the same model or machine designation (a tractor and an attachment tiller may have the same model numbers). If no configuration "alpha" code is required, space is filled in with an "X".

## Serial Number Listing Information

Serial number information is listed to show on which machines each part can be used; for example:

- The part can be used on all products.
- 000000 - The part can be used on products beginning with the serial number listed.
- 000000 The part can be used on products up to and including the serial number listed.
- 000000 - 000000 The part can be used on products between and including the serial number listed.

When XXXXXX's are listed in place of a serial number, a serial number change was made, but the exact serial number was not available at the time of publication.

---

## To The Customer

The part numbers in this Parts Catalog were correct at the time of publication. Per John Deere policy, we continuously improve our products. Therefore, when ordering parts verify the part numbers with your dealer.

## SI Units of Measure

Metric dimensions are provided as applicable throughout this parts catalog.

## Bolt and Cap Screw Strength Identification

Bolts and cap screws required to have high-strength qualities equivalent to metric property class 10.9 (SAE grade 8) or higher are identified throughout this catalog by the description 10.9, 12.9 or 14.9. All standard bolts and cap screws are metric property class 8.8 (SAE grade 5) or lower.

## Illustrations

Illustrations in this catalog are only intended as a reference for dealers and customers. These illustrations do not necessarily represent the exact view of the parts.

## Box-Enclosed Illustrations

Box-enclosed keyed parts in the illustration are available as a service assembly or an attachment. These parts may also include parts not available for service. The illustrations may not show all individual parts of an attachment. A box not keyed includes non-current parts.

## Orientation Of Product

An arrow shown with an illustration is to indicate the direction of product forward travel. Right Hand (RH) and Left Hand (LH) sides are determined by product forward travel.

## Orientation of Engine

Right Hand (RH) and Left Hand (LH) sides are determined by standing at flywheel and facing the engine.

## John Deere Remanufactured Components

The REMAN parts listed in this catalog are intended for the repair or replacement of failed or worn original equipment components. John Deere Reman components are manufactured to stringent John Deere standards and produced to original John Deere specifications that incorporates the latest design and performance improvement updates.

**Ag and Turf Turf and Utility ? Trademarks**

7-Iron™	Quik-Trak™	Mulch On Demand™
Aercore™	Ready To Mow™	Trail Gator™
Auto 4x4 Wheel Drive™	RGator™	Turf Gator™
AutoConnect™	Roll-Gard™	X700™
AutoTrac™	iMatch™	ZTrak™
Buck™	John Deere™	Funk™
Gator™	SelectSpray™	iTorque™
Greens Tender™	TerrainCut™	Phoenix™
Precision Cut Reel™	E-Gator™	PowerTech™
PrecisionCut™	eHydro™	TMII™
ProGator™	EZtrak™	TMIII™

### Ag and Turf Turf and Utility ? Terms and Abbreviations

Phrase	Meaning	Phrase	Meaning
A/C	Air Conditioning	NSEP	Not Supplied Separately
ALSO ORDER	Also Order	OD	Outside Diameter
AND	and	OOS	Open Operator's Station
APPL	This Application Only	OPTION	Option
AR	As Required	OPTIONAL	Optional
ASSY	Complete Assembly	OR	Or
CNLA	Complete No Longer Available (Order Individual Parts)	ORD	Order
COMPLETE	Complete	ORD W/	Order With
CTL	Cut To Length	OS	Oversize
CW	Clockwise	OUTER	Outer
ECU	Engine Control Unit	PKG	Package of
FI	Field Installation Kit	PTO	Power Take-Off
FIP	Fuel Injection Pump	RATIO	Ratio
FOR	For	RCU	Reverser Control Unit
FRONT	Front	REAR	Rear
HS, HEAD MARKED	High Strength, Head Marked	REMAN	Remanufactured
HTC	Heater Control Unit	RH	Right Hand
ID	Inside Diameter	SCV	Selective Control Valve
INCL	Includes	STD	Standard
INCL KEYS	Including Keys	SUB	Replaced by
INCLUDE PARTS MARKED	Include Parts Marked	SUB COMPONENTS	Sub Components
INNER	Inner	SUB FOR	Substitute for
KIT	Kit	TK	Thickness
LGTH	Length	UIM	User Interface Module
LH	Left Hand	UP	Upper
LOW	Lower	US	Undersize
MARKED	Marked	USE WITH	Use With
MF	Made From	W/	With
MFWD	Mechanical Front Wheel Drive	W/O	Without
NA	Not Applicable	Z	Gear and Sprocket Teeth Number
NLA	No Longer Available		

## 2750 E-Cut™ Triplex Mower

PU38882 A.1



PU38882

2020 Model (Serial No. 1TC2750E++T010001– 020000)

2021 Model (Serial No. 1TC2750E++T020001– 030000)

2022 Model (Serial No. 1TC2750E++T030001–040000 )

2023 Model (Serial No. 1TC2750E++T040001–050000 )

2024 Model (Serial No. 1TC2750E++R050001– )

*(Specifications and design subject to change without notice)*



## Product Identification and Serial Number Plate

An individual product identification and serial number is assigned to each machine. When writing about or filling out warranty claims, use all the characters shown on the plate.

Example: 1TC2750E++T010001

1TC - Factory Designation (Turf Care)  
 2750- Model Or Machine Designation  
 E- Configuration Code  
 + - Random Number  
 + - Calendar Year of Manufacture  
 T- Generic for Turf Care  
 010001 - Serial Number

## Product Configuration Code

The configuration "alpha" code identifies a variation of a product. Example: A machine may be manufactured as a two-wheel or four-wheel drive unit, and be shipped with standard or wide cutting units; thus four variations of the same machine exist. It also identifies different products which have the same model or machine designation (a tractor and an attachment tiller may have the same model numbers). If no configuration "alpha" code is required, space is filled in with an "X".

## Serial Number Listing Information

Serial number information is listed to show on which machines each part can be used; for example:

- The part can be used on all products.
- 000000 - The part can be used on products beginning with the serial number listed.
- 000000 The part can be used on products up to and including the serial number listed.
- 000000 - 000000 The part can be used on products between and including the serial number listed.

When XXXXXX's are listed in place of a serial number, a serial number change was made, but the exact serial number was not available at the time of publication.

## To The Customer

The part numbers in this Parts Catalog were correct at the time of publication. Per John Deere policy, we continuously improve our products. Therefore, when ordering parts verify the part numbers with your dealer.

## SI Units of Measure

Metric dimensions are provided as applicable throughout this parts catalog.

## Bolt and Cap Screw Strength Identification

Bolts and cap screws required to have high-strength qualities equivalent to metric property class 10.9 (SAE grade 8) or higher are identified throughout this catalog by the description 10.9, 12.9 or 14.9. All standard bolts and cap screws are metric property class 8.8 (SAE grade 5) or lower.

## Illustrations

Illustrations in this catalog are only intended as a reference for dealers and customers. These illustrations do not necessarily represent the exact view of the parts.

## Box-Enclosed Illustrations

Box-enclosed keyed parts in the illustration are available as a service assembly or an attachment. These parts may also include parts not available for service. The illustrations may not show all individual parts of an attachment. A box not keyed includes non-current parts.

## Orientation Of Product

An arrow shown with an illustration is to indicate the direction of product forward travel. Right Hand (RH) and Left Hand (LH) sides are determined by product forward travel.

## Orientation of Engine

Right Hand (RH) and Left Hand (LH) sides are determined by standing at flywheel and facing the engine.

## John Deere Remanufactured Components

The REMAN parts listed in this catalog are intended for the repair or replacement of failed or worn original equipment components. John Deere Reman components are manufactured to stringent John Deere standards and produced to original John Deere specifications that incorporates the latest design and performance improvement updates.

### Ag and Turf Turf and Utility ? Trademarks

7-Iron™	Quik-Trak™	Mulch On Demand™
Aercore™	Ready To Mow™	Trail Gator™
Auto 4x4 Wheel Drive™	RGator™	Turf Gator™
AutoConnect™	Roll-Gard™	X700™
AutoTrac™	iMatch™	ZTrak™
Buck™	John Deere™	Funk™
Gator™	SelectSpray™	iTorque™
Greens Tender™	TerrainCut™	Phoenix™
Precision Cut Reel™	E-Gator™	PowerTech™
PrecisionCut™	eHydro™	TMII™
ProGator™	EZtrak™	TMIII™

**Ag and Turf Turf and Utility ? Terms and Abbreviations**

Phrase	Meaning	Phrase	Meaning
A/C	Air Conditioning	NSEP	Not Supplied Separately
ALSO ORDER	Also Order	OD	Outside Diameter
AND	and	OOS	Open Operator's Station
APPL	This Application Only	OPTION	Option
AR	As Required	OPTIONAL	Optional
ASSY	Complete Assembly	OR	Or
CNLA	Complete No Longer Available (Order Individual Parts)	ORD	Order
COMPLETE	Complete	ORD W/	Order With
CTL	Cut To Length	OS	Oversize
CW	Clockwise	OUTER	Outer
ECU	Engine Control Unit	PKG	Package of
FI	Field Installation Kit	PTO	Power Take-Off
FIP	Fuel Injection Pump	RATIO	Ratio
FOR	For	RCU	Reverser Control Unit
FRONT	Front	REAR	Rear
HS, HEAD MARKED	High Strength, Head Marked	REMAN	Remanufactured
HTC	Heater Control Unit	RH	Right Hand
ID	Inside Diameter	SCV	Selective Control Valve
INCL	Includes	STD	Standard
INCL KEYS	Including Keys	SUB	Replaced by
INCLUDE PARTS MARKED	Include Parts Marked	SUB COMPONENTS	Sub Components
INNER	Inner	SUB FOR	Substitute for
KIT	Kit	TK	Thickness
LGTH	Length	UIM	User Interface Module
LH	Left Hand	UP	Upper
LOW	Lower	US	Undersize
MARKED	Marked	USE WITH	Use With
MF	Made From	W/	With
MFWD	Mechanical Front Wheel Drive	W/O	Without
NA	Not Applicable	Z	Gear and Sprocket Teeth Number
NLA	No Longer Available		

## 2750 E-Cut™ Triplex Mower

PU38882 A.1



PU38882

2020 Model (Serial No. 1TC2750E++T010001– 020000)

2021 Model (Serial No. 1TC2750E++T020001– 030000)

2022 Model (Serial No. 1TC2750E++T030001–040000 )

2023 Model (Serial No. 1TC2750E++T040001–050000 )

2024 Model (Serial No. 1TC2750E++R050001– )

*(Specifications and design subject to change without notice)*

## Product Identification and Serial Number Plate

An individual product identification and serial number is assigned to each machine. When writing about or filling out warranty claims, use all the characters shown on the plate.

Example: 1TC2750E++T010001

1TC - Factory Designation (Turf Care)

2750- Model Or Machine Designation

E- Configuration Code

+ - Random Number

+ - Calendar Year of Manufacture

T- Generic for Turf Care

010001 - Serial Number

## Product Configuration Code

The configuration "alpha" code identifies a variation of a product. Example: A machine may be manufactured as a two-wheel or four-wheel drive unit, and be shipped with standard or wide cutting units; thus four variations of the same machine exist. It also identifies different products which have the same model or machine designation (a tractor and an attachment tiller may have the same model numbers). If no configuration "alpha" code is required, space is filled in with an "X".

## Serial Number Listing Information

Serial number information is listed to show on which machines each part can be used; for example:

- The part can be used on all products.
- 000000 - The part can be used on products beginning with the serial number listed.
- 000000 The part can be used on products up to and including the serial number listed.
- 000000 - 000000 The part can be used on products between and including the serial number listed.

When XXXXXX's are listed in place of a serial number, a serial number change was made, but the exact serial number was not available at the time of publication.

---

## To The Customer

The part numbers in this Parts Catalog were correct at the time of publication. Per John Deere policy, we continuously improve our products. Therefore, when ordering parts verify the part numbers with your dealer.

## SI Units of Measure

Metric dimensions are provided as applicable throughout this parts catalog.

## Bolt and Cap Screw Strength Identification

Bolts and cap screws required to have high-strength qualities equivalent to metric property class 10.9 (SAE grade 8) or higher are identified throughout this catalog by the description 10.9, 12.9 or 14.9. All standard bolts and cap screws are metric property class 8.8 (SAE grade 5) or lower.

## Illustrations

Illustrations in this catalog are only intended as a reference for dealers and customers. These illustrations do not necessarily represent the exact view of the parts.

## Box-Enclosed Illustrations

Box-enclosed keyed parts in the illustration are available as a service assembly or an attachment. These parts may also include parts not available for service. The illustrations may not show all individual parts of an attachment. A box not keyed includes non-current parts.

## Orientation Of Product

An arrow shown with an illustration is to indicate the direction of product forward travel. Right Hand (RH) and Left Hand (LH) sides are determined by product forward travel.

## Orientation of Engine

Right Hand (RH) and Left Hand (LH) sides are determined by standing at flywheel and facing the engine.

## John Deere Remanufactured Components

The REMAN parts listed in this catalog are intended for the repair or replacement of failed or worn original equipment components. John Deere Reman components are manufactured to stringent John Deere standards and produced to original John Deere specifications that incorporates the latest design and performance improvement updates.

**Ag and Turf Turf and Utility ? Trademarks**

7-Iron™	Quik-Trak™	Mulch On Demand™
Aercore™	Ready To Mow™	Trail Gator™
Auto 4x4 Wheel Drive™	RGator™	Turf Gator™
AutoConnect™	Roll-Gard™	X700™
AutoTrac™	iMatch™	ZTrak™
Buck™	John Deere™	Funk™
Gator™	SelectSpray™	iTorque™
Greens Tender™	TerrainCut™	Phoenix™
Precision Cut Reel™	E-Gator™	PowerTech™
PrecisionCut™	eHydro™	TMII™
ProGator™	EZtrak™	TMIII™



### Ag and Turf Turf and Utility ? Terms and Abbreviations

Phrase	Meaning	Phrase	Meaning
A/C	Air Conditioning	NSEP	Not Supplied Separately
ALSO ORDER	Also Order	OD	Outside Diameter
AND	and	OOS	Open Operator's Station
APPL	This Application Only	OPTION	Option
AR	As Required	OPTIONAL	Optional
ASSY	Complete Assembly	OR	Or
CNLA	Complete No Longer Available (Order Individual Parts)	ORD	Order
COMPLETE	Complete	ORD W/	Order With
CTL	Cut To Length	OS	Oversize
CW	Clockwise	OUTER	Outer
ECU	Engine Control Unit	PKG	Package of
FI	Field Installation Kit	PTO	Power Take-Off
FIP	Fuel Injection Pump	RATIO	Ratio
FOR	For	RCU	Reverser Control Unit
FRONT	Front	REAR	Rear
HS, HEAD MARKED	High Strength, Head Marked	REMAN	Remanufactured
HTC	Heater Control Unit	RH	Right Hand
ID	Inside Diameter	SCV	Selective Control Valve
INCL	Includes	STD	Standard
INCL KEYS	Including Keys	SUB	Replaced by
INCLUDE PARTS MARKED	Include Parts Marked	SUB COMPONENTS	Sub Components
INNER	Inner	SUB FOR	Substitute for
KIT	Kit	TK	Thickness
LGTH	Length	UIM	User Interface Module
LH	Left Hand	UP	Upper
LOW	Lower	US	Undersize
MARKED	Marked	USE WITH	Use With
MF	Made From	W/	With
MFWD	Mechanical Front Wheel Drive	W/O	Without
NA	Not Applicable	Z	Gear and Sprocket Teeth Number
NLA	No Longer Available		

## 2750 E-Cut™ Triplex Mower

PU38882 A.1



PU38882

2020 Model (Serial No. 1TC2750E++T010001– 020000)

2021 Model (Serial No. 1TC2750E++T020001– 030000)

2022 Model (Serial No. 1TC2750E++T030001–040000 )

2023 Model (Serial No. 1TC2750E++T040001–050000 )

2024 Model (Serial No. 1TC2750E++R050001– )

*(Specifications and design subject to change without notice)*

## Product Identification and Serial Number Plate

An individual product identification and serial number is assigned to each machine. When writing about or filling out warranty claims, use all the characters shown on the plate.

Example: 1TC2750E++T010001

1TC - Factory Designation (Turf Care)  
 2750- Model Or Machine Designation  
 E- Configuration Code  
 + - Random Number  
 + - Calendar Year of Manufacture  
 T- Generic for Turf Care  
 010001 - Serial Number

## Product Configuration Code

The configuration "alpha" code identifies a variation of a product. Example: A machine may be manufactured as a two-wheel or four-wheel drive unit, and be shipped with standard or wide cutting units; thus four variations of the same machine exist. It also identifies different products which have the same model or machine designation (a tractor and an attachment tiller may have the same model numbers). If no configuration "alpha" code is required, space is filled in with an "X".

## Serial Number Listing Information

Serial number information is listed to show on which machines each part can be used; for example:

- The part can be used on all products.
- 000000 - The part can be used on products beginning with the serial number listed.
- 000000 The part can be used on products up to and including the serial number listed.
- 000000 - 000000 The part can be used on products between and including the serial number listed.

When XXXXXX's are listed in place of a serial number, a serial number change was made, but the exact serial number was not available at the time of publication.

## To The Customer

The part numbers in this Parts Catalog were correct at the time of publication. Per John Deere policy, we continuously improve our products. Therefore, when ordering parts verify the part numbers with your dealer.

## SI Units of Measure

Metric dimensions are provided as applicable throughout this parts catalog.

## Bolt and Cap Screw Strength Identification

Bolts and cap screws required to have high-strength qualities equivalent to metric property class 10.9 (SAE grade 8) or higher are identified throughout this catalog by the description 10.9, 12.9 or 14.9. All standard bolts and cap screws are metric property class 8.8 (SAE grade 5) or lower.

## Illustrations

Illustrations in this catalog are only intended as a reference for dealers and customers. These illustrations do not necessarily represent the exact view of the parts.

## Box-Enclosed Illustrations

Box-enclosed keyed parts in the illustration are available as a service assembly or an attachment. These parts may also include parts not available for service. The illustrations may not show all individual parts of an attachment. A box not keyed includes non-current parts.

## Orientation Of Product

An arrow shown with an illustration is to indicate the direction of product forward travel. Right Hand (RH) and Left Hand (LH) sides are determined by product forward travel.

## Orientation of Engine

Right Hand (RH) and Left Hand (LH) sides are determined by standing at flywheel and facing the engine.

## John Deere Remanufactured Components

The REMAN parts listed in this catalog are intended for the repair or replacement of failed or worn original equipment components. John Deere Reman components are manufactured to stringent John Deere standards and produced to original John Deere specifications that incorporates the latest design and performance improvement updates.

### Ag and Turf Turf and Utility ? Trademarks

7-Iron™	Quik-Trak™	Mulch On Demand™
Aercore™	Ready To Mow™	Trail Gator™
Auto 4x4 Wheel Drive™	RGator™	Turf Gator™
AutoConnect™	Roll-Gard™	X700™
AutoTrac™	iMatch™	ZTrak™
Buck™	John Deere™	Funk™
Gator™	SelectSpray™	iTorque™
Greens Tender™	TerrainCut™	Phoenix™
Precision Cut Reel™	E-Gator™	PowerTech™
PrecisionCut™	eHydro™	TMII™
ProGator™	EZtrak™	TMIII™

**Ag and Turf Turf and Utility ? Terms and Abbreviations**

Phrase	Meaning	Phrase	Meaning
A/C	Air Conditioning	NSEP	Not Supplied Separately
ALSO ORDER	Also Order	OD	Outside Diameter
AND	and	OOS	Open Operator's Station
APPL	This Application Only	OPTION	Option
AR	As Required	OPTIONAL	Optional
ASSY	Complete Assembly	OR	Or
CNLA	Complete No Longer Available (Order Individual Parts)	ORD	Order
COMPLETE	Complete	ORD W/	Order With
CTL	Cut To Length	OS	Oversize
CW	Clockwise	OUTER	Outer
ECU	Engine Control Unit	PKG	Package of
FI	Field Installation Kit	PTO	Power Take-Off
FIP	Fuel Injection Pump	RATIO	Ratio
FOR	For	RCU	Reverser Control Unit
FRONT	Front	REAR	Rear
HS, HEAD MARKED	High Strength, Head Marked	REMAN	Remanufactured
HTC	Heater Control Unit	RH	Right Hand
ID	Inside Diameter	SCV	Selective Control Valve
INCL	Includes	STD	Standard
INCL KEYS	Including Keys	SUB	Replaced by
INCLUDE PARTS MARKED	Include Parts Marked	SUB COMPONENTS	Sub Components
INNER	Inner	SUB FOR	Substitute for
KIT	Kit	TK	Thickness
LGTH	Length	UIM	User Interface Module
LH	Left Hand	UP	Upper
LOW	Lower	US	Undersize
MARKED	Marked	USE WITH	Use With
MF	Made From	W/	With
MFWD	Mechanical Front Wheel Drive	W/O	Without
NA	Not Applicable	Z	Gear and Sprocket Teeth Number
NLA	No Longer Available		

**Table of Contents**

20 Engine ..... 55

30 Fuel and Air ..... 85

40 Electrical ..... 105

50 Powertrain ..... 127

60 Steering and Brakes ..... 149

70 Hydraulics ..... 157

80 Frame, Wheels and Operators Station ..... 173

85 Lift Arms and Yokes ..... 195

90 Labels ..... 203

100 Attachments and Kits ..... 211

105 Cutting Unit Rollers and Scrapers ..... 239

110 Cutting Unit Accessories ..... 261

115 Reel Cutting Units ..... 271

120 Conditioner Drive Kits and Rear Brush ..... 289





## Alphabetical Index

<i>Page</i>	<i>Page</i>
<b>A</b>	
Absorber, Seat Shock Absorber Kit, Deluxe Seat Kit .....	186
Absorber, Shock Absorber, Steering Wheel and Column .....	150
Air Cleaner and Muffler .....	100
Alternator, 22.5 A .....	124
Alternator, Alternator, 22.5 A .....	124
Alternator, Alternators and Mounting Parts .....	122
Alternators and Mounting Parts .....	122
Antenna, Electronic Control Unit, JDLINK R Modem .....	238
Arm Rest Kit .....	192
Arm, Lift Arm, Lift Arms, Reel Cutting Unit .....	196
Arm, Rocker Arm Shaft, Rocker Arms .....	68
Arm, Rocker Arm, Rocker Arms .....	68
Armrest, Arm Rest Kit .....	192
Armrest, Armrest Kit, Deluxe Seat Kit .....	186
Armrest, Operator Console .....	178
Attachment, Cable, 22 inch, Roller Scraper .....	269
Attachment, Roller, 22 inch Fairway, Hollow Smooth .....	248
Axle, Operator Station Seat Base, Pedals .....	180
Axle, Rear Axle Support, Hydraulic Oil Lines and Hoses, Steering... ..	170
<b>B</b>	
Bar, Guide Bar, Gage Bar Kit, Height of Cut .....	214
Bar, Light Bar, Front, Rear, and Centre Light Kit .....	218
Battery, Battery Cable, Wiring Harness Mounting Parts, Battery and Cables .....	114
Battery, Dry Charged Battery, Wiring Harness Mounting Parts, Battery and Cables .....	114
Battery, Wet Charged Battery, Wiring Harness Mounting Parts, Battery and Cables .....	114
Belt, Seat Belt, Deluxe Seat Kit .....	186
Belt, Seat Belt, Standard Seat Kit .....	184
Belt, Synchronous Belt Pulley, Electric Motors .....	118
Belt, Synchronous Belt, Electric Motors .....	118
Belt, Synchronous Belt, Rear Roller Power Brush Drive Kit, QA5 .....	292
BIO FUEL HOSE ASSEMBLY (OPTIONAL) .....	90
Biodiesel Conversion Kit .....	90
Blade, Saw Blade, Vertical Cutting Unit, 22 inch, Quick Adjust 5, Attachment .....	282
Blower, Fan, Radiator and Mounting Parts .....	102
Bonnet .....	66
Bonnet, Hood, Hood and Fender .....	182
Brake Calipers and Hub .....	154
Brake, Disk Brake Caliper Assy, Brake Calipers and Hub .....	154
Bumper, Operator Station Seat Base, Pedals .....	180
<b>C</b>	
Cable, 22 inch, Roller Scraper, Attachment .....	269
Cable, Battery Cable, Wiring Harness Mounting Parts, Battery and Cables .....	114
Cable, Cable Kit, Hand Brake and Cables .....	152
Cable, Elec. Connector Cable Seal, Chassis Wiring Harness (1/3) .....	108
Cable, Elec. Connector Cable Seal, Chassis Wiring Harness (2/3) .....	110
Cable, Elec. Connector Cable Seal, Chassis Wiring Harness (3/3) .....	112
Cable, Elec. Connector Cable Seal, Front, Rear, and Centre Light Kit .....	218
Cable, Elec. Connector Cable Seal, Hydraulic Filtration Kit .....	230
Cable, Elec. Connector Cable Seal, Hydraulic Leak Detector Kit .....	216
Cable, Elec. Connector Cable Seal, Wiring Harness Mounting Parts, Battery and Cables .....	114
Cable, Ground Cable, Wiring Harness Mounting Parts, Battery and Cables .....	114
Cable, Hood and Fender .....	182
Cable, Push Pull Cable, Hand Brake and Cables .....	152
Cable, Smooth Roller Scraper .....	269
Cable, Smooth Roller Scraper Kit, 2 inch, QA5/QA7, 22 inch, Rear Roller .....	269
Cable, Wiring Harness, Electric Motor Controller .....	116
Cam, Fairway Tender Conditioners Or Greens Tender Conditioners Gear Drive Kit, QA5 .....	290
Camshaft and Driving Gear .....	64
Camshaft, Camshaft and Driving Gear .....	64
Case, Case Kit, Center Case Kit, Hydrostatic Pump .....	136
Case, Case Kit, Reservoir Kit, Hydrostatic Pump .....	132
Case, Gear Case, Gear Case .....	74
Case, Transmission Case, Rear Roller Power Brush Drive Kit, QA5 .....	292
Center Case Kit, Hydrostatic Pump .....	136
Chain, Chain Sprocket, Electric Motors .....	118
Chain, Link Chain, Yoke Kit .....	198, 200
Chassis Wiring Harness (1/3) .....	108
Chassis Wiring Harness (2/3) .....	110
Chassis Wiring Harness (3/3) .....	112
Collar, Locking Collar, Alternator, 22.5 A .....	124
Collar, Locking Collar, Yoke Kit .....	198, 200
Collar, Shift Collar, Fairway Tender Conditioners Or Greens Tender Conditioners Gear Drive Kit, QA5 .....	290
Column, Steering Column, Steering Wheel and Column .....	150
Conditioner Drive Repair Kit .....	232
Connecting Rod and Piston .....	60
Console, Operator Console .....	178
Container Tank, Hydraulic Reservoir, Hydraulic Reservoir .....	166
Container Tank, Radiator Reservoir, Radiator and Mounting Parts .....	102
Container Tank, Reservoir Kit, Flywheel Housing and Oil Pan .....	76
Container Tank, Reservoir, Radiator and Mounting Parts .....	102
Continuous Machine Grooved Front Roller Kit, 2 inch, QA5/QA7, 22 inch .....	240
Control Kit, Hydrostatic Pump .....	142
Control Unit ECU, Electric Motor Controller, Wiring Harness, Electric Motor Controller .....	116
Control Unit ECU, Vehicle Controller, Wiring Harness Mounting Parts, Battery and Cables .....	114
Controller, Electric Motor Controller, Wiring Harness, Electric Motor Controller .....	116
Controller, Vehicle Controller, Wiring Harness Mounting Parts, Battery and Cables .....	114
Counterweight Kit .....	286
Counterweight Kit, Cutting Unit Brush, QA5 .....	285
Counterweight Kit, Cutting Unit, FTC / GTC, QA5 .....	284
Counterweight, Counterweight Kit .....	286
Counterweight, Counterweight Kit, Counterweight Kit .....	286
Counterweight, Counterweight Kit, Counterweight Kit, Cutting Unit, FTC / GTC, QA5 .....	284
Counterweight, Counterweight Kit, Cutting Unit Brush, QA5 .....	285
Counterweight, Counterweight Kit, Cutting Unit, FTC / GTC, QA5 .....	284
Counterweight, Vertical Cutting Unit, 22 inch, Quick Adjust 5, Attachment .....	282
Coupling, Diagnostic Coupling, Hydraulic Oil Lines and Hoses, Brakes .....	160
Coupling, Engine Mounting and Brackets .....	82
Coupling, Splined Coupling, Hydraulic Gear Pump .....	129
Crankshaft and Flywheel .....	62
Crankshaft, Crankshaft and Flywheel .....	62
Cushion, Cushion Kit, Deluxe Seat Kit .....	186
Cutter, Knife, Fairway Tender Conditioner Shaft Kit, QA5, 22 inch .....	296
Cutter, Knife, Greens Tender Conditioner Shaft Kit, QA5, 22 inch .....	299
Cutter, Stationary Knife, Reel Cutting Unit, 22 inch, Quick Adjust 5, 14 blade, Attachment .....	280
Cutter, Stationary Knife, Reel Cutting Unit, Quick Adjust 5, 22 inch, 11-Blade, Attachment (2/2) .....	278
Cutter, Stationary Knife, Reel Cutting Unit, Quick Adjust 5, 22 inch, 7-Blade, Attachment (2/2) .....	274
Cylinder Block .....	58
Cylinder Block Kit, Hydrostatic Pump .....	138
Cylinder Head .....	70
Cylinder, Cylinder Block Kit, Hydrostatic Pump .....	138
Cylinder, Cylinder Block, Cylinder Block .....	58
Cylinder, Cylinder Head, Cylinder Head .....	70
Cylinder, Gas Operated Cylinder, Operator Station Seat Base, Pedals .....	180
Cylinder, Hydraulic Cylinder Rod, Center Case Kit, Hydrostatic Pump .....	136
Cylinder, Hydraulic Cylinder, Hydraulic Lift Cylinders .....	164
Cylinder, Hydraulic Cylinder, Hydraulic Oil Lines and Hoses, Steering .....	170
Cylinder, Hydraulic Oil Lines and Hoses, Steering .....	170
<b>D</b>	
Decal, Label Kit, Label Kit, Reel Certification (Not for Canada and USA) .....	288
Decal, Label, Air Cleaner and Muffler .....	100
Decal, Label, Biodiesel Conversion Kit .....	90
Decal, Label, Frame and Rollover Protective Structure .....	176
Decal, Label, Fuel Tank and Fuel Pump .....	86
Decal, Label, Hood and Fender .....	182
Decal, Label, Label Kit, Reel Certification (Not for Canada and USA) .....	288

## Alphabetical Index - Continued

<i>Page</i>	<i>Page</i>
Decal, Label, Labels.....	204, 210
Decal, Label, Labels, English and French.....	208
Decal, Label, Labels, No Text.....	206
Decal, Label, Muffler Guard Components with Labels (Not for Canada and USA).....	228
Decal, Label, Operator Console.....	178
Decal, Label, Operator Station Seat Base, Pedals.....	180
Decal, Label, Reel Cutting Unit, 22 inch, Quick Adjust 5, 14 blade, Attachment.....	280
Decal, Label, Reel Cutting Unit, Quick Adjust 5, 22 inch, 11-Blade, Attachment (1/2).....	276
Decal, Label, Reel Cutting Unit, Quick Adjust 5, 22 inch, 7-Blade, Attachment (1/2).....	272
Decal, Label, Steering Wheel and Column.....	150
Decal, Label, Vertical Cutting Unit, 22 inch, Quick Adjust 5, Attachment.....	282
Deflector, Bonnet.....	66
Deluxe Seat Kit.....	186
Dew Whip Holder Kit.....	220
Diode, Chassis Wiring Harness (1/3).....	108
Dipstick, Dipstick Tube, Oil Filter and Dipstick.....	72
Dipstick, Oil Filter and Dipstick.....	72
Disc, Disk Brake Caliper Assy, Brake Calipers and Hub.....	154
Disk, Disk Brake Caliper Assy, Brake Calipers and Hub.....	154
Display, Digital Display, Operator Console.....	178
Drive, Conditioner Drive Repair Kit.....	232
Drive, Drive Kit, Fairway Tender Conditioners Or Greens Tender Conditioners Gear Drive Kit, QA5.....	290
Drive, Drive Kit, Rear Roller Brush Drive Repair Kit.....	300
Drive, Drive Kit, Rear Roller Power Brush Drive Kit, QA5.....	292
Drive, Drive Shaft, Counterweight Kit, Cutting Unit Brush, QA5.....	285
Drive, Drive Shaft, Fairway Tender Conditioners Or Greens Tender Conditioners Gear Drive Kit, QA5.....	290
Drive, Starter Motor Drive, Starter Motor.....	120
<b>E</b>	
Electric Motors.....	118
Electronic Control Unit, JDLINK R Modem.....	238
Engine.....	56
Engine Gasket Kit.....	80
Engine Mounting and Brackets.....	82
Engine, Diesel Engine, Engine.....	56
Exhaust Manifold.....	98
Exhaust Pipe Silencer, Muffler, Air Cleaner and Muffler.....	100
Extended Machine Grooved Front Roller Kit, 2 inch, QA5/QA7, 22 inch.....	241
Extension Plate Kit, Cutting Unit.....	287
Extension, Extension Spring, Lift Arms, Reel Cutting Unit.....	196
Extension, Extension Spring, Operator Station Seat Base, Pedals.....	180
<b>F</b>	
Fairway Tender Conditioner Shaft Kit, QA5, 22 inch.....	296
Fairway Tender Conditioners Or Greens Tender Conditioners Gear Drive Kit, QA5.....	290
Fan, Radiator and Mounting Parts.....	102
Filter, Filter Element, Air Cleaner and Muffler.....	100
Filter, Filter Element, Fuel Filter.....	88
Filter, Filter Head, Hydraulic Filtration Kit.....	230
Filter, Filter Head, Oil Filter.....	134
Filter, Filter Kit, Hydraulic Filtration Kit.....	230
Filter, Filter Kit, Hydrostatic Pump Hoses and Fittings.....	144
Filter, Fuel Filter, Fuel Filter.....	88
Filter, Fuel Filter, Fuel Tank and Fuel Pump.....	86
Filter, Hydraulic Filtration Kit.....	230
Filter, Oil Filter, Hydraulic Filtration Kit.....	230
Filter, Oil Filter, Oil Filter.....	134
Filter, Oil Filter, Oil Filter and Dipstick.....	72
Floodlamp, Front, Rear, and Centre Light Kit.....	218
Floodlight Lamp, Floodlamp, Front, Rear, and Centre Light Kit.....	218
Flotation Tire Kit.....	190
Flywheel Housing and Oil Pan.....	76
Flywheel, Crankshaft and Flywheel.....	62
Frame and Rollover Protective Structure.....	176
Frame, Main Frame, Frame and Rollover Protective Structure.....	176
Frame, Reel Cutting Unit, 22 inch, Quick Adjust 5, 14 blade, Attachment.....	280
Frame, Reel Cutting Unit, Quick Adjust 5, 22 inch, 11-Blade, Attachment (2/2).....	278
Frame, Reel Cutting Unit, Quick Adjust 5, 22 inch, 7-Blade, Attachment.....	282
Frame, Vertical Cutting Unit, 22 inch, Quick Adjust 5, Attachment.....	282
Front Rotary Dense Brush Kit, QA5, 22 inch.....	295
Front Rotary Turf Brush Kit, QA5, 22 inch.....	294
Front, Rear, and Centre Light Kit.....	218
Fuel Filter.....	88
Fuel Injection Nozzles and Line.....	92
Fuel Injection Pump (1/2).....	94
Fuel Injection Pump (2/2).....	96
Fuel Tank and Fuel Pump.....	86
Fuse, Chassis Wiring Harness (2/3).....	110
Fuse, Mobile Communication Equipment Kit, Telematics, High Performing Antenna.....	234
Fuse, Mobile Communication Equipment Kit, Telematics, Low Performing Antenna.....	236
Fuse, Power Port Components.....	215
Fuse, Power Port Kit.....	215
<b>G</b>	
Gage Bar Kit, Height of Cut.....	214
Gasket, Bonnet.....	66
Gasket, Control Kit, Hydrostatic Pump.....	142
Gasket, Cylinder Block.....	58
Gasket, Cylinder Head.....	70
Gasket, Engine Gasket Kit.....	80
Gasket, Engine Mounting and Brackets.....	82
Gasket, Exhaust Manifold.....	98
Gasket, Fairway Tender Conditioners Or Greens Tender Conditioners Gear Drive Kit, QA5.....	290
Gasket, Fuel Injection Nozzles and Line.....	92
Gasket, Fuel Injection Pump (1/2).....	94
Gasket, Fuel Injection Pump (2/2).....	96
Gasket, Fuel Tank and Fuel Pump.....	86
Gasket, Gasket Kit, Engine Gasket Kit.....	80
Gasket, Hydrostatic Pump Hoses and Fittings.....	144
Gasket, Hydrostatic Pump Housing.....	130
Gasket, Rear Roller Power Brush Drive Kit, QA5.....	292
Gasket, Reservoir Kit, Hydrostatic Pump.....	132
Gasket, Swash Plate Kit, Hydrostatic Pump.....	140
Gasket, Water Pump and Thermostat.....	78
Gear Case.....	74
Gear, Camshaft and Driving Gear.....	64
Gear, Crankshaft and Flywheel.....	62
Gear, Fairway Tender Conditioners Or Greens Tender Conditioners Gear Drive Kit, QA5.....	290
Gear, Gear Case, Gear Case.....	74
Gear, Idler Gear, Camshaft and Driving Gear.....	64
Gear, Idler Gear, Fairway Tender Conditioners Or Greens Tender Conditioners Gear Drive Kit, QA5.....	290
Gear, Worm Gear, Reel Cutting Unit, 22 inch, Quick Adjust 5, 14 blade, Attachment.....	280
Gear, Worm Gear, Reel Cutting Unit, Quick Adjust 5, 22 inch, 11-Blade, Attachment (1/2).....	276
Gear, Worm Gear, Reel Cutting Unit, Quick Adjust 5, 22 inch, 7-Blade, Attachment (1/2).....	272
Gear, Worm Gear, Vertical Cutting Unit, 22 inch, Quick Adjust 5, Attachment.....	282
Grass Catcher Kit, Black.....	262
Grass Catcher Kit, Yellow.....	264
Grass Catcher Mounting Kit.....	263
Greens Tender Conditioner Shaft Kit, QA5, 22 inch.....	299
Grip, Hand Brake and Cables.....	152
Grooved End Spiral Roller Kit, 22 inch.....	242
Grooved Roller Kit, 2.5 inch, QA5, 22 inch.....	244
Grooved Roller Scraper Kit, 3 inch.....	266
<b>H</b>	
Hand Brake and Cables.....	152
Handbrake, Handbrake Lever, Hand Brake and Cables.....	152
Handle, Grass Catcher Kit, Black.....	262
Handle, Grass Catcher Kit, Yellow.....	264
Handle, Operator Station Seat Base, Pedals.....	180
Handle, Storage Compartment Kit.....	222
Harness, Harness Kit, Front, Rear, and Centre Light Kit.....	218
Harness, Harness Kit, Hydraulic Leak Detector Kit.....	216
Harness, Wiring Harness, Chassis Wiring Harness (1/3).....	108
Harness, Wiring Harness, Chassis Wiring Harness (2/3).....	110
Harness, Wiring Harness, Chassis Wiring Harness (3/3).....	112

## Alphabetical Index - Continued

<i>Page</i>	<i>Page</i>		
Harness, Wiring Harness, Mobile Communication Equipment Kit, Telematics, High Performing Antenna .....	234	Hydraulic Hoses, Lift System.....	162
Harness, Wiring Harness, Mobile Communication Equipment Kit, Telematics, Low Performing Antenna.....	236	Hydraulic Leak Detector Kit.....	216
Harness, Wiring Harness, Wiring Harness Mounting Parts, Battery and Cables.....	114	Hydraulic Lift Cylinders.....	164
Harness, Wiring Harness, Wiring Harness, Electric Motor Controller.....	116	Hydraulic Motor .....	146
Heavy Duty Grooved Disc Front Roller Kit, 3 inch, QA5/QA7, 22 inch.....	246	Hydraulic Oil Lines and Hoses, Brakes.....	160
Hinge, Hood and Fender.....	182	Hydraulic Oil Lines and Hoses, Steering.....	170
Holder, Holder Kit, Dew Whip Holder Kit.....	220	Hydraulic Reservoir .....	166
Holder, Nozzle Holder, Fuel Injection Nozzles and Line.....	92	Hydrostatic Pump Hoses and Fittings .....	144
Hollow Smooth Front Roller Kit, 2 inch, QA5/QA7, 22 inch.....	253	Hydrostatic Pump Housing.....	130
Hollow Smooth Roller ( 2 inch) for use on Fairways.....	248	Hydrostatic Traction Pump .....	128
Hollow Smooth Roller Kit, 2 inch, QA5/QA7, 22 inch.....	248		
Hood and Fender.....	182	I	
Hood, Hood and Fender.....	182	Idler, Alternators and Mounting Parts.....	122
Hook, Engine Mounting and Brackets.....	82	Idler, Idler Gear, Camshaft and Driving Gear .....	64
Hook, Fuel Injection Pump (2/2).....	96	Idler, Idler Gear, Fairway Tender Conditioners Or Greens Tender Conditioners Gear Drive Kit, QA5.....	290
Hook, Grass Catcher Kit, Black.....	262	Idler, Idler Sprocket, Rear Roller Power Brush Drive Kit, QA5.....	292
Hook, Grass Catcher Kit, Yellow.....	264	Indicator, Air Restriction Indicator, Air Cleaner and Muffler.....	100
Hook, Hook Bolt, Fairway Tender Conditioners Or Greens Tender Conditioners Gear Drive Kit, QA5.....	290	Indicator, Air Restriction Indicator, Hydraulic Filtration Kit.....	230
Hook, Hook Bolt, Wiring Harness Mounting Parts, Battery and Cables.....	114	Injector Injection nozzle, Nozzle Holder, Fuel Injection Nozzles and Line.....	92
Hose Assembly, Bio Fuel (Optional).....	90	Injector Injection nozzle, Nozzle Kit, Fuel Injection Nozzles and Line.....	92
Hose, Air Cleaner and Muffler.....	100	Injector Injection nozzle, Nozzle, Fuel Injection Nozzles and Line.....	92
HOSE, BIO FUEL (OPTIONAL).....	90	Instrument panel Control Panel, Console, Operator Console .....	178
Hose, Biodiesel Conversion Kit.....	90	Isolator, Engine Mounting and Brackets.....	82
Hose, Fuel Hose, Fuel Tank and Fuel Pump.....	86	Isolator, Radiator and Mounting Parts .....	102
Hose, Hose Clamp, Air Cleaner and Muffler.....	100	Isolator, Seat Shock Absorber Kit, Deluxe Seat Kit.....	186
Hose, Hose Clamp, Hydraulic Leak Detector Kit.....	216	Isolator, Shock Absorber, Steering Wheel and Column.....	150
Hose, Hose Clamp, Hydraulic Reservoir.....	166	Isolator, Vertical Cutting Unit, 22 inch, Quick Adjust 5, Attachment ..	282
Hose, Hose Clamp, Hydrostatic Pump Hoses and Fittings .....	144		
Hose, Hose Clamp, Radiator and Mounting Parts.....	102	K	
Hose, Hose Guard, Fuel Tank and Fuel Pump.....	86	Key, Labels.....	204
Hose, Hose Guard, Hydraulic Oil Lines and Hoses, Steering.....	170	Key, Muffler Guard Components with Labels (Not for Canada and USA).....	228
Hose, Hose Kit, Biodiesel Conversion Kit.....	90	Key, Operator Console .....	178
Hose, Hydraulic Hose, Hydraulic Filtration Kit.....	230	Key, Shaft Key, Camshaft and Driving Gear.....	64
Hose, Hydraulic Hose, Hydraulic Hoses, Lift System.....	162	Key, Shaft Key, Crankshaft and Flywheel.....	62
Hose, Hydraulic Hose, Hydraulic Leak Detector Kit.....	216	Key, Shaft Key, Electric Motors .....	118
Hose, Hydraulic Hose, Hydraulic Oil Lines and Hoses, Brakes.....	160	Key, Shaft Key, Fairway Tender Conditioners Or Greens Tender Conditioners Gear Drive Kit, QA5.....	290
Hose, Hydraulic Hose, Hydraulic Oil Lines and Hoses, Steering.....	170	Key, Shaft Key, Fuel Injection Pump (1/2).....	94
Hose, Hydraulic Hose, Hydraulic Reservoir.....	166	Key, Shaft Key, Hydraulic Motor .....	146
Hose, Hydraulic Hose, Hydrostatic Pump Hoses and Fittings.....	144	Key, Shaft Key, Rear Roller Power Brush Drive Kit, QA5.....	292
Hose, Hydraulic Hose, Three Wheel Drive Kit.....	212	Key, Shaft Key, Three Wheel Drive Kit.....	212
Hose, Radiator and Mounting Parts .....	102	KIT HOSE, BIO FUEL (OPTIONAL).....	90
Hose, Radiator Hose, Radiator and Mounting Parts .....	102	Knife, Fairway Tender Conditioner Shaft Kit, QA5, 22 inch.....	296
Hose, Suction Hose, Hydrostatic Pump Hoses and Fittings.....	144	Knife, Greens Tender Conditioner Shaft Kit, QA5, 22 inch.....	299
Housing, Bearing Housing W/O Bearing, Rear Roller Brush Drive Repair Kit.....	300	Knife, Stationary Knife, Reel Cutting Unit, 22 inch, Quick Adjust 5, 14 blade, Attachment.....	280
Housing, Bearing Housing W/O Bearing, Rear Roller Power Brush Drive Kit, QA5.....	292	Knife, Stationary Knife, Reel Cutting Unit, Quick Adjust 5, 22 inch, 11-Blade, Attachment (2/2).....	278
Housing, Elec. Connector Housing, Chassis Wiring Harness (1/3) ..	108	Knife, Stationary Knife, Reel Cutting Unit, Quick Adjust 5, 22 inch, 7-Blade, Attachment (2/2).....	274
Housing, Elec. Connector Housing, Chassis Wiring Harness (2/3) ..	110	Knob, Operator Console.....	178
Housing, Elec. Connector Housing, Chassis Wiring Harness (3/3) ..	112	Knob, Seat Knob Kit, Deluxe Seat Kit .....	186
Housing, Elec. Connector Housing, Electric Motors .....	118		
Housing, Elec. Connector Housing, Engine Mounting and Brackets ..	82	L	
Housing, Elec. Connector Housing, Front, Rear, and Centre Light Kit.....	218	Label Kit, Reel Certification (Not for Canada and USA).....	288
Housing, Elec. Connector Housing, Fuel Tank and Fuel Pump.....	86	Label, Air Cleaner and Muffler.....	100
Housing, Elec. Connector Housing, Hydraulic Filtration Kit.....	230	Label, Biodiesel Conversion Kit.....	90
Housing, Elec. Connector Housing, Hydraulic Leak Detector Kit.....	216	Label, Frame and Rollover Protective Structure.....	176
Housing, Elec. Connector Housing, Mobile Communication Equipment Kit, Telematics, High Performing Antenna .....	234	Label, Fuel Tank and Fuel Pump.....	86
Housing, Elec. Connector Housing, Mobile Communication Equipment Kit, Telematics, Low Performing Antenna .....	236	Label, Hood and Fender.....	182
Housing, Elec. Connector Housing, Oil Filter.....	134	Label, Label Kit, Label Kit, Reel Certification (Not for Canada and USA).....	288
Housing, Elec. Connector Housing, Wiring Harness, Electric Motor Controller.....	116	Label, Label Kit, Reel Certification (Not for Canada and USA).....	288
Housing, Fairway Tender Conditioners Or Greens Tender Conditioners Gear Drive Kit, QA5.....	290	Label, Labels.....	204, 210
Housing, Flywheel Housing and Oil Pan.....	76	Label, Labels, English and French .....	208
Housing, Fuel Injection Pump (1/2).....	94	Label, Labels, No Text.....	206
Housing, Hydrostatic Pump Housing.....	130	Label, Muffler Guard Components with Labels (Not for Canada and USA).....	228
Housing, Operator Station Seat Base, Pedals .....	180	Label, Operator Console .....	178
Hub, Brake Calipers and Hub.....	154	Label, Operator Station Seat Base, Pedals.....	180
Hub, Engine Mounting and Brackets.....	82	Label, Reel Cutting Unit, 22 inch, Quick Adjust 5, 14 blade, Attachment.....	280
Hub, Three Wheel Drive Kit.....	212	Label, Reel Cutting Unit, Quick Adjust 5, 22 inch, 11-Blade, Attachment (1/2).....	276
Hub, Two Wheel Drive Kit.....	225		
Hydraulic Filtration Kit.....	230		
Hydraulic Gear Pump.....	129		

## Alphabetical Index - Continued

Page	Page		
Label, Reel Cutting Unit, Quick Adjust 5, 22 inch, 7-Blade, Attachment (1/2).....	272	Pump, Fuel Pump, Fuel Tank and Fuel Pump.....	86
Label, Steering Wheel and Column.....	150	Pump, Hydraulic Gear Pump.....	129
Label, Vertical Cutting Unit, 22 inch, Quick Adjust 5, Attachment.....	282	Pump, Hydraulic Pump, Hydrostatic Traction Pump.....	128
Labels.....	204, 210	Pump, Hydraulic Pump, Reservoir Kit, Hydrostatic Pump.....	132
Labels, English and French.....	208	Pump, Water Pump, Water Pump and Thermostat.....	78
Labels, No Text.....	206		
Latch, Hood and Fender.....	182	R	
Latch, Hydraulic Reservoir.....	166	Radiator and Mounting Parts.....	102
Latch, Operator Station Seat Base, Pedals.....	180	Radiator, Radiator and Mounting Parts.....	102
Latch, Storage Compartment Kit.....	222	Radiator, Radiator Hose, Radiator and Mounting Parts.....	102
Lever, Control Lever, Control Kit, Hydrostatic Pump.....	142	Radiator, Radiator Reservoir, Radiator and Mounting Parts.....	102
Lever, Control Lever, Swash Plate Kit, Hydrostatic Pump.....	140	Rear Roller Brush Drive Repair Kit.....	300
Lever, Fuel Injection Pump (2/2).....	96	Rear Roller Power Brush Drive Kit, QA5.....	292
Lever, Handbrake Lever, Hand Brake and Cables.....	152	Rear Roller Power Brush Kit, QA5, 22 inch.....	298
Lever, Operator Station Seat Base, Pedals.....	180	Reel Cutting Unit, 22 inch, Quick Adjust 5, 14 blade, Attachment.....	280
Lift Arms, Reel Cutting Unit.....	196	Reel Cutting Unit, Quick Adjust 5, 22 inch, 11-Blade, Attachment (1/2).....	276
		Reel Cutting Unit, Quick Adjust 5, 22 inch, 11-Blade, Attachment (2/2).....	278
M		Reel Cutting Unit, Quick Adjust 5, 22 inch, 7-Blade, Attachment (1/2).....	272
Machine Grooved Front Roller Kit, 2 inch, QA5/QA7, 22 inch.....	249	Reel Cutting Unit, Quick Adjust 5, 22 inch, 7-Blade, Attachment (2/2).....	274
Machine Grooved Roller Scraper Kit, 2 inch.....	268	Relay, Chassis Wiring Harness (2/3).....	110
Manifold, Exhaust Manifold, Exhaust Manifold.....	98	Relay, Power Port Components.....	215
Mobile Communication Equipment Kit, Telematics, High Performing Antenna.....	234	Relay, Power Port Kit.....	215
Mobile Communication Equipment Kit, Telematics, Low Performing Antenna.....	236	Relay, Relay Module, Chassis Wiring Harness (2/3).....	110
Module, Relay Module, Chassis Wiring Harness (2/3).....	110	Relieved Grooved Roller Kit, 2 inch, QA5/QA7, 22 inch.....	250
Motor, Electric Motor Controller, Wiring Harness, Electric Motor Controller.....	116	Relieved Spiral Grooved Roller Kit, 2 inch, QA5/QA7, 22 inch.....	251
Motor, Electric Motor, Electric Motors.....	118	Reservoir Kit, Hydrostatic Pump.....	132
Motor, Hydraulic Motor, Hydraulic Motor.....	146	Reservoir, Hydraulic Reservoir, Hydraulic Reservoir.....	166
Motor, Hydraulic Motor, Three Wheel Drive Kit.....	212	Reservoir, Radiator and Mounting Parts.....	102
Motor, Starter Motor Drive, Starter Motor.....	120	Reservoir, Radiator Reservoir, Radiator and Mounting Parts.....	102
Muffler Guard Components with Labels (Not for Canada and USA).....	228	Reservoir, Reservoir Kit, Flywheel Housing and Oil Pan.....	76
Muffler, Air Cleaner and Muffler.....	100	Resistor, Chassis Wiring Harness (1/3).....	108
Multi - Trac All-Surface Tire Kit.....	188	Resistor, Chassis Wiring Harness (2/3).....	110
		Resistor, Hydraulic Leak Detector Kit.....	216
N		Retainer, Cylinder Head.....	70
Nozzle, Fuel Injection Nozzles and Line.....	92	Retainer, Fuel Injection Nozzles and Line.....	92
Nozzle, Nozzle Holder, Fuel Injection Nozzles and Line.....	92	Retainer, Fuel Injection Pump (1/2).....	94
Nozzle, Nozzle Kit, Fuel Injection Nozzles and Line.....	92	Retainer, Fuel Injection Pump (2/2).....	96
		Retainer, Greens Tender Conditioner Shaft Kit, QA5, 22 inch.....	299
O		Retainer, Reel Cutting Unit, 22 inch, Quick Adjust 5, 14 blade, Attachment.....	280
Oil Filter.....	134	Retainer, Reel Cutting Unit, Quick Adjust 5, 22 inch, 11-Blade, Attachment (1/2).....	276
Oil Filter and Dipstick.....	72	Retainer, Reel Cutting Unit, Quick Adjust 5, 22 inch, 7-Blade, Attachment (1/2).....	272
Operator Console.....	178	Rim, Flotation Tire Kit.....	190
Operator Station Seat Base, Pedals.....	180	Rim, Multi - Trac All-Surface Tire Kit.....	188
		Rim, Smooth Tire Kit.....	187
P		Rim, Smooth Tire Kit, 4 Ply.....	193
Panel, Grooved Roller Scraper Kit, 3 inch.....	266	Rim, Steering Wheel, Steering Wheel and Column.....	150
Panel, Reel Cutting Unit, 22 inch, Quick Adjust 5, 14 blade, Attachment.....	280	Rim, Tire And Wheel Assembly, Smooth Tire Kit, 4 Ply.....	193
Panel, Reel Cutting Unit, Quick Adjust 5, 22 inch, 11-Blade, Attachment (1/2).....	276	Rim, Wheel Bolt, Brake Calipers and Hub.....	154
Panel, Reel Cutting Unit, Quick Adjust 5, 22 inch, 7-Blade, Attachment (1/2).....	272	Rim, Wheel Bolt, Three Wheel Drive Kit.....	212
Panel, Vertical Cutting Unit, 22 inch, Quick Adjust 5, Attachment.....	282	Rim, Wheel Kit, Three Wheel Drive Kit.....	212
Pedal, Operator Station Seat Base, Pedals.....	180	Rim, Wheel Speed Sensor, Hydraulic Motor.....	146
Pinion, Fairway Tender Conditioners Or Greens Tender Conditioners Gear Drive Kit, QA5.....	290	Rocker Arms.....	68
Pinion, Fuel Injection Pump (1/2).....	94	Rod, Connecting Rod, Connecting Rod and Piston.....	60
Piston, Piston Kit, Connecting Rod and Piston.....	60	Rod, Grooved Roller Scraper Kit, 3 inch.....	266
Piston, Piston Kit, Reservoir Kit, Hydrostatic Pump.....	132	Rod, Hand Brake and Cables.....	152
Piston, Piston Pin, Connecting Rod and Piston.....	60	Rod, Hydraulic Cylinder Rod, Center Case Kit, Hydrostatic Pump.....	136
Piston, Piston Ring Kit, Connecting Rod and Piston.....	60	Rod, Push Rod, Camshaft and Driving Gear.....	64
Platform Cover.....	224	Rod, Reel Cutting Unit, 22 inch, Quick Adjust 5, 14 blade, Attachment.....	280
Platform, Operator Station Seat Base, Pedals.....	180	Rod, Reel Cutting Unit, Quick Adjust 5, 22 inch, 11-Blade, Attachment (1/2).....	276
Platform, Platform Cover.....	224	Rod, Reel Cutting Unit, Quick Adjust 5, 22 inch, 7-Blade, Attachment (1/2).....	272
Power Port Components.....	215	Rod, Vertical Cutting Unit, 22 inch, Quick Adjust 5, Attachment.....	282
Pulley, Alternators and Mounting Parts.....	122	Roller Scraper, Smooth.....	269
Pulley, Crankshaft and Flywheel.....	62	Roller, 22 inch Fairway, Hollow Smooth, Attachment.....	248
Pulley, Synchronous Belt Pulley, Electric Motors.....	118	Roller, Fuel Injection Pump (1/2).....	94
Pulley, Water Pump and Thermostat.....	78	Roller, Relieved Grooved Roller Kit, 2 inch, QA5/QA7, 22 inch.....	250
Pump, Fuel Injection Pump, Fuel Injection Pump (1/2).....	94	Roller, Roller Kit, Continuous Machine Grooved Front Roller Kit, 2 inch, QA5/QA7, 22 inch.....	240
Pump, Fuel Injection Pump, Fuel Injection Pump (2/2).....	96	Roller, Roller Kit, Extended Machine Grooved Front Roller Kit, 2 inch, QA5/QA7, 22 inch.....	241
		Roller, Roller Kit, Grooved End Spiral Roller Kit, 22 inch.....	242
		Roller, Roller Kit, Grooved Roller Kit, 2.5 inch, QA5, 22 inch.....	244

## Alphabetical Index - Continued

<i>Page</i>	<i>Page</i>
Roller, Roller Kit, Heavy Duty Grooved Disc Front Roller Kit, 3 inch, QA5/QA7, 22 inch.....	246
Roller, Roller Kit, Hollow Smooth Front Roller Kit, 2 inch, QA5/QA7, 22 inch.....	253
Roller, Roller Kit, Hollow Smooth Roller Kit, 2 inch, QA5/QA7, 22 inch.....	248
Roller, Roller Kit, Machine Grooved Front Roller Kit, 2 inch, QA5/QA7, 22 inch.....	249
Roller, Roller Kit, Relieved Grooved Roller Kit, 2 inch, QA5/QA7, 22 inch.....	250
Roller, Roller Kit, Relieved Spiral Grooved Roller Kit, 2 inch, QA5/QA7, 22 inch.....	251
Roller, Roller Kit, Smooth Front Roller Kit, 2 inch, QA5/QA7, 22 inch.....	252
Roller, Roller Kit, Smooth Roller Kit, 22 inch.....	254
Roller, Roller Kit, Spiral Grooved Front Roller Kit, 3 inch, QA5 / QA7, 22 inch.....	256
Roller, Smooth Roller, W/ Bearings, 22 inch.....	260
ROPS, Frame and Rollover Protective Structure.....	176
Rotor, Alternator, 22.5 A.....	124
Rotor, Gear Case.....	74
<b>S</b>	
Scraper, Grooved Roller Scraper Kit, 3 inch.....	266
Scraper, Machine Grooved Roller Scraper Kit, 2 inch.....	268
Scraper, Scraper Kit, Grooved Roller Scraper Kit, 3 inch.....	266
Scraper, Scraper Kit, Smooth Roller Scraper Kit, 2 inch, QA5/QA7, 22 inch, Rear Roller.....	269
Scraper, Scraper Kit, Smooth Scraper Kit, Front, 2 inch, QA5, 22 inch.....	259
Scraper, Scraper Kit, Smooth Scraper Kit, Rear, 2 inch, QA5/QA7, 22 inch.....	258
Scraper, Smooth Roller.....	269
Seat, Seat Assembly, Deluxe Seat Kit.....	186
Seat, Seat Belt, Deluxe Seat Kit.....	186
Seat, Seat Belt, Standard Seat Kit.....	184
Seat, Seat Kit, Deluxe Seat Kit.....	186
Seat, Seat Kit, Standard Seat Kit.....	184
Seat, Seat Knob Kit, Deluxe Seat Kit.....	186
Seat, Seat Shock Absorber Kit, Deluxe Seat Kit.....	186
Seat, Seat Suspension Boot Kit, Deluxe Seat Kit.....	186
Seat, Seat Suspension, Deluxe Seat Kit.....	186
Seat, Standard Seat Kit.....	184
Seat, Valve Seat Insert, Cylinder Head.....	70
Sender, Sensor, Engine Mounting and Brackets.....	82
Sender, Sensor, Operator Station Seat Base, Pedals.....	180
Sender, Temperature Sensor, Hydraulic Reservoir.....	166
Sender, Wheel Speed Sensor, Hydraulic Motor.....	146
Sensor Sender, Level Switch, Hydraulic Leak Detector Kit.....	216
Sensor Sender, Pressure Switch, Oil Filter.....	134
Sensor Sender, Rotary Switch, Operator Console.....	178
Sensor Sender, Switch Kit, Deluxe Seat Kit.....	186
Sensor Sender, Switch, Oil Filter and Dipstick.....	72
Sensor Sender, Switch, Operator Console.....	178
Sensor Sender, Switch, Standard Seat Kit.....	184
Sensor Sender, Switch, Water Pump and Thermostat.....	78
Sensor Sender, Switch, Wiring Harness Mounting Parts, Battery and Cables.....	114
Sensor Sender, Toggle/Rocker Switch, Operator Console.....	178
Sensor, Engine Mounting and Brackets.....	82
Sensor, Operator Station Seat Base, Pedals.....	180
Sensor, Temperature Sensor, Hydraulic Reservoir.....	166
Sensor, Wheel Speed Sensor, Hydraulic Motor.....	146
Separator, Biodiesel Conversion Kit.....	90
Shaft, Camshaft and Driving Gear.....	64
Shaft, Conditioner Drive Repair Kit.....	232
Shaft, Cylinder Block Kit, Hydrostatic Pump.....	138
Shaft, Drive Shaft, Counterweight Kit, Cutting Unit Brush, QA5.....	285
Shaft, Drive Shaft, Fairway Tender Conditioners Or Greens Tender Conditioners Gear Drive Kit, QA5.....	290
Shaft, Fairway Tender Conditioner Shaft Kit, QA5, 22 inch.....	296
Shaft, Fairway Tender Conditioners Or Greens Tender Conditioners Gear Drive Kit, QA5.....	290
Shaft, Front Rotary Dense Brush Kit, QA5, 22 inch.....	295
Shaft, Front Rotary Turf Brush Kit, QA5, 22 inch.....	294
Shaft, Fuel Injection Pump (2/2).....	96
Shaft, Greens Tender Conditioner Shaft Kit, QA5, 22 inch.....	299
Shaft, Grooved End Spiral Roller Kit, 22 inch.....	242
Shaft, Grooved Roller Kit, 2.5 inch, QA5, 22 inch.....	244
Shaft, Heavy Duty Grooved Disc Front Roller Kit, 3 inch, QA5/QA7, 22 inch.....	246
Shaft, Rear Roller Power Brush Kit, QA5, 22 inch.....	298
Shaft, Rocker Arm Shaft, Rocker Arms.....	68
Shaft, Shaft Key, Camshaft and Driving Gear.....	64
Shaft, Shaft Key, Crankshaft and Flywheel.....	62
Shaft, Shaft Key, Electric Motors.....	118
Shaft, Shaft Key, Fairway Tender Conditioners Or Greens Tender Conditioners Gear Drive Kit, QA5.....	290
Shaft, Shaft Key, Fuel Injection Pump (1/2).....	94
Shaft, Shaft Key, Hydraulic Motor.....	146
Shaft, Shaft Key, Rear Roller Power Brush Drive Kit, QA5.....	292
Shaft, Shaft Key, Three Wheel Drive Kit.....	212
Shaft, Shaft Kit, Fairway Tender Conditioner Shaft Kit, QA5, 22 inch.....	296
Shaft, Shaft Kit, Greens Tender Conditioner Shaft Kit, QA5, 22 inch.....	299
Shaft, Smooth Roller Kit, 22 inch.....	254
Shaft, Spiral Grooved Front Roller Kit, 3 inch, QA5 / QA7, 22 inch.....	256
Shaft, Two Wheel Drive Kit.....	225
Shaft, Vertical Cutting Unit, 22 inch, Quick Adjust 5, Attachment.....	282
Shifter, Fuel Injection Pump (2/2).....	96
Shoe, Reel Cutting Unit, 22 inch, Quick Adjust 5, 14 blade, Attachment.....	280
Shoe, Reel Cutting Unit, Quick Adjust 5, 22 inch, 11-Blade, Attachment (2/2).....	278
Shoe, Reel Cutting Unit, Quick Adjust 5, 22 inch, 7-Blade, Attachment (2/2).....	274
Shroud, Radiator and Mounting Parts.....	102
Sleeve, Brake Calipers and Hub.....	154
Sleeve, Front Rotary Dense Brush Kit, QA5, 22 inch.....	295
Sleeve, Front Rotary Turf Brush Kit, QA5, 22 inch.....	294
Sleeve, Grooved End Spiral Roller Kit, 22 inch.....	242
Sleeve, Grooved Roller Kit, 2.5 inch, QA5, 22 inch.....	244
Sleeve, Heavy Duty Grooved Disc Front Roller Kit, 3 inch, QA5/QA7, 22 inch.....	246
Sleeve, Rear Roller Power Brush Kit, QA5, 22 inch.....	298
Sleeve, Smooth Roller Kit, 22 inch.....	254
Sleeve, Spiral Grooved Front Roller Kit, 3 inch, QA5 / QA7, 22 inch.....	256
Smooth Front Roller Kit, 2 inch, QA5/QA7, 22 inch.....	252
Smooth Roller Kit, 22 inch.....	254
Smooth Roller Scraper Kit, 2 inch, QA5/QA7, 22 inch, Rear Roller.....	269
Smooth Roller, W/ Bearings, 22 inch.....	260
Smooth Scraper Kit, Front, 2 inch, QA5, 22 inch.....	259
Smooth Scraper Kit, Rear, 2 inch, QA5/QA7, 22 inch.....	258
Smooth Tire Kit.....	187
Smooth Tire Kit, 4 Ply.....	193
Socket Outlet, Power Port Kit.....	215
Solenoid Hydraulic Valve, Lift System.....	168
Solenoid, Engine Mounting and Brackets.....	82
Solenoid, Fuel Injection Pump (2/2).....	96
Solenoid, Solenoid Hydraulic Valve, Hydraulic Leak Detector Kit.....	216
Solenoid, Solenoid Hydraulic Valve, Solenoid Hydraulic Valve, Lift System.....	168
Solenoid, Solenoid Hydraulic Valve, Three Wheel Drive Kit.....	212
Solenoid, Solenoid Valve Coil, Hydraulic Leak Detector Kit.....	216
Solenoid, Solenoid Valve Coil, Solenoid Hydraulic Valve, Lift System.....	168
Solenoid, Solenoid Valve Coil, Three Wheel Drive Kit.....	212
Solenoid, Solenoid Valve, Hydraulic Leak Detector Kit.....	216
Solenoid, Solenoid Valve, Reservoir Kit, Hydrostatic Pump.....	132
Solenoid, Solenoid Valve, Solenoid Hydraulic Valve, Lift System.....	168
Spiral Grooved Front Roller Kit, 3 inch, QA5 / QA7, 22 inch.....	256
Sprocket, Chain Sprocket, Electric Motors.....	118
Sprocket, Idler Sprocket, Rear Roller Power Brush Drive Kit, QA5.....	292
Standard Seat Kit.....	184
Starter Motor.....	120
Starter, Starter Motor Drive, Starter Motor.....	120
Steering Wheel and Column.....	150
Steering, Steering Column, Steering Wheel and Column.....	150
Steering, Steering Wheel, Steering Wheel and Column.....	150
Stop Kit.....	226
Stop, Stop Kit, Stop Kit.....	226
Storage Compartment Kit.....	222
Strainer, Hydrostatic Pump Hoses and Fittings.....	144
Strap, Biodiesel Conversion Kit.....	90
Strap, Center Case Kit, Hydrostatic Pump.....	136
Strap, Dew Whip Holder Kit.....	220
Strap, Vertical Cutting Unit, 22 inch, Quick Adjust 5, Attachment.....	282
Suspension, Seat Suspension Boot Kit, Deluxe Seat Kit.....	186
Suspension, Seat Suspension, Deluxe Seat Kit.....	186
Swash Plate Kit, Hydrostatic Pump.....	140
Switch, Level Switch, Hydraulic Leak Detector Kit.....	216
Switch, Oil Filter and Dipstick.....	72
Switch, Operator Console.....	178

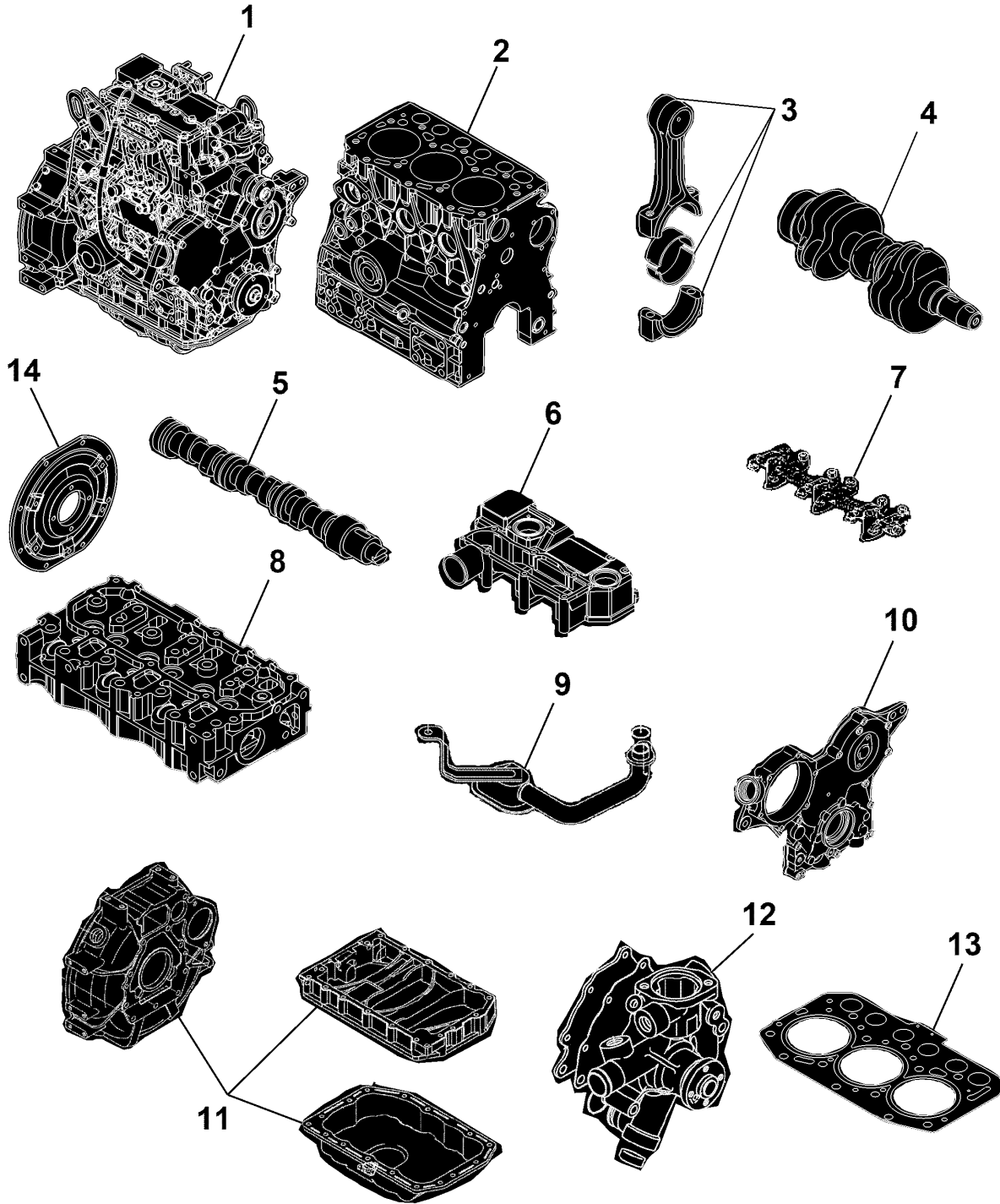
## Alphabetical Index - Continued

	<i>Page</i>	<i>Page</i>
Switch, Pressure Switch, Oil Filter.....	134	
Switch, Rotary Switch, Operator Console .....	178	
Switch, Standard Seat Kit.....	184	
Switch, Switch Kit, Deluxe Seat Kit .....	186	
Switch, Toggle/Rocker Switch, Operator Console .....	178	
Switch, Water Pump and Thermostat.....	78	
Switch, Wiring Harness Mounting Parts, Battery and Cables.....	114	
 T		
Tank, Fuel Tank, Fuel Tank and Fuel Pump .....	86	
Tank, Hydraulic Reservoir.....	166	
Thermostat, Water Pump and Thermostat .....	78	
Three Wheel Drive Kit .....	212	
Transaxle, Transmission Case, Rear Roller Power Brush Drive Kit, QA5.....	292	
Transmission, Transmission Case, Rear Roller Power Brush Drive Kit, QA5.....	292	
Tube, Dipstick Tube, Oil Filter and Dipstick.....	72	
Tube, Oil Tube, Center Case Kit, Hydrostatic Pump .....	136	
Tube, Reel Cutting Unit, 22 inch, Quick Adjust 5, 14 blade, Attachment.....	280	
Tube, Reel Cutting Unit, Quick Adjust 5, 22 inch, 11-Blade, Attachment (1/2).....	276	
Tube, Reel Cutting Unit, Quick Adjust 5, 22 inch, 7-Blade, Attachment (1/2).....	272	
Tube, Tube Nut, Fairway Tender Conditioner Shaft Kit, QA5, 22 inch.....	296	
Tube, Tube Nut, Front Rotary Dense Brush Kit, QA5, 22 inch .....	295	
Tube, Tube Nut, Front Rotary Turf Brush Kit, QA5, 22 inch .....	294	
Tube, Tube Nut, Greens Tender Conditioner Shaft Kit, QA5, 22 inch.....	299	
Tube, Vertical Cutting Unit, 22 inch, Quick Adjust 5, Attachment.....	282	
Two Wheel Drive Kit .....	225	
 V		
V-Belt, Alternators and Mounting Parts .....	122	
Vertical Cutting Unit, 22 inch, Quick Adjust 5, Attachment.....	282	
 W		
Water Pump and Thermostat .....	78	
Weight, Fuel Injection Pump (2/2) .....	96	
Wheel, Rim, Flotation Tire Kit.....	190	
Wheel, Rim, Multi - Trac All-Surface Tire Kit .....	188	
Wheel, Rim, Smooth Tire Kit .....	187	
Wheel, Rim, Smooth Tire Kit, 4 Ply .....	193	
Wheel, Steering Wheel, Steering Wheel and Column.....	150	
Wheel, Tire And Wheel Assembly, Smooth Tire Kit, 4 Ply.....	193	
Wheel, Wheel Bolt, Brake Calipers and Hub.....	154	
Wheel, Wheel Bolt, Three Wheel Drive Kit.....	212	
Wheel, Wheel Kit, Three Wheel Drive Kit.....	212	
Wheel, Wheel Speed Sensor, Hydraulic Motor .....	146	
Wiring Harness Mounting Parts, Battery and Cables .....	114	
Wiring Harness, Electric Motor Controller .....	116	
 Y		
Yoke Kit .....	198, 200	

Sectional Pictorial Index  
 Index d'illustrations par sections.  
 Gruppenbildindex  
 Indice illustrato delle sezioni  
 Índice de ilustraciones por secciones  
 Avsnittsbildregister

PU38603 A.1

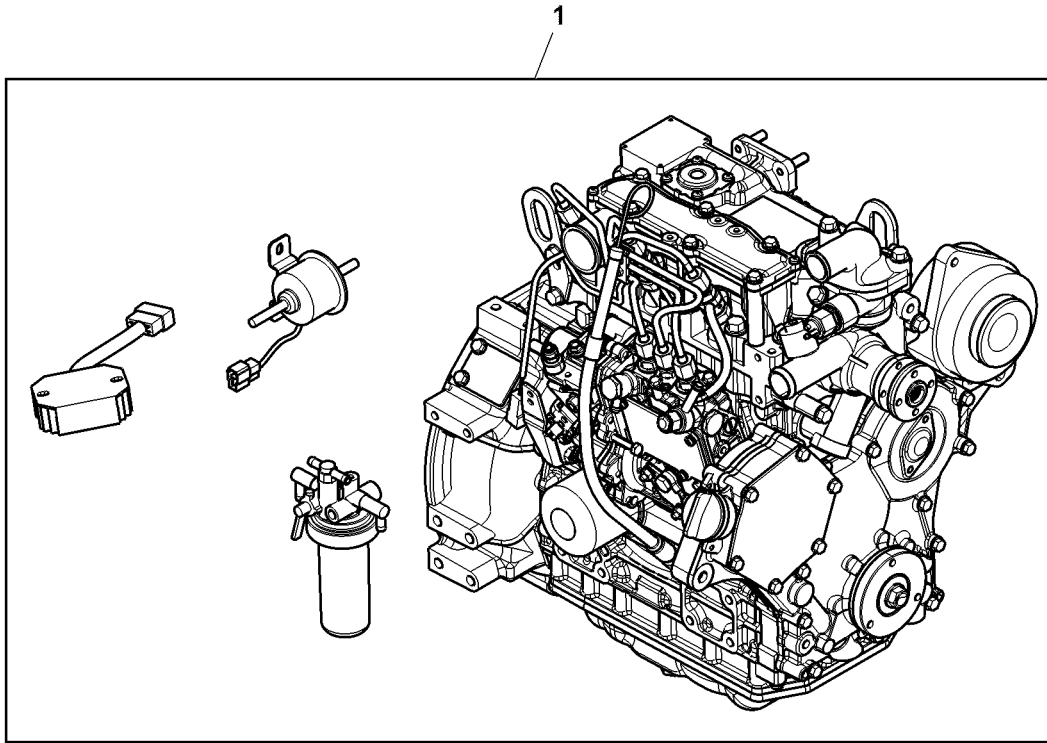
1-	56
2-	58
3-	60
4-	62
5-	64
6-	66
7-	68
8-	70
9-	72
10-	74
11-	76
12-	78
13-	80
14-	82



PU38603

Engine  
 Engine  
 Engine  
 Engine  
 Engine  
 Engine

PU35878 A.1



PU35878

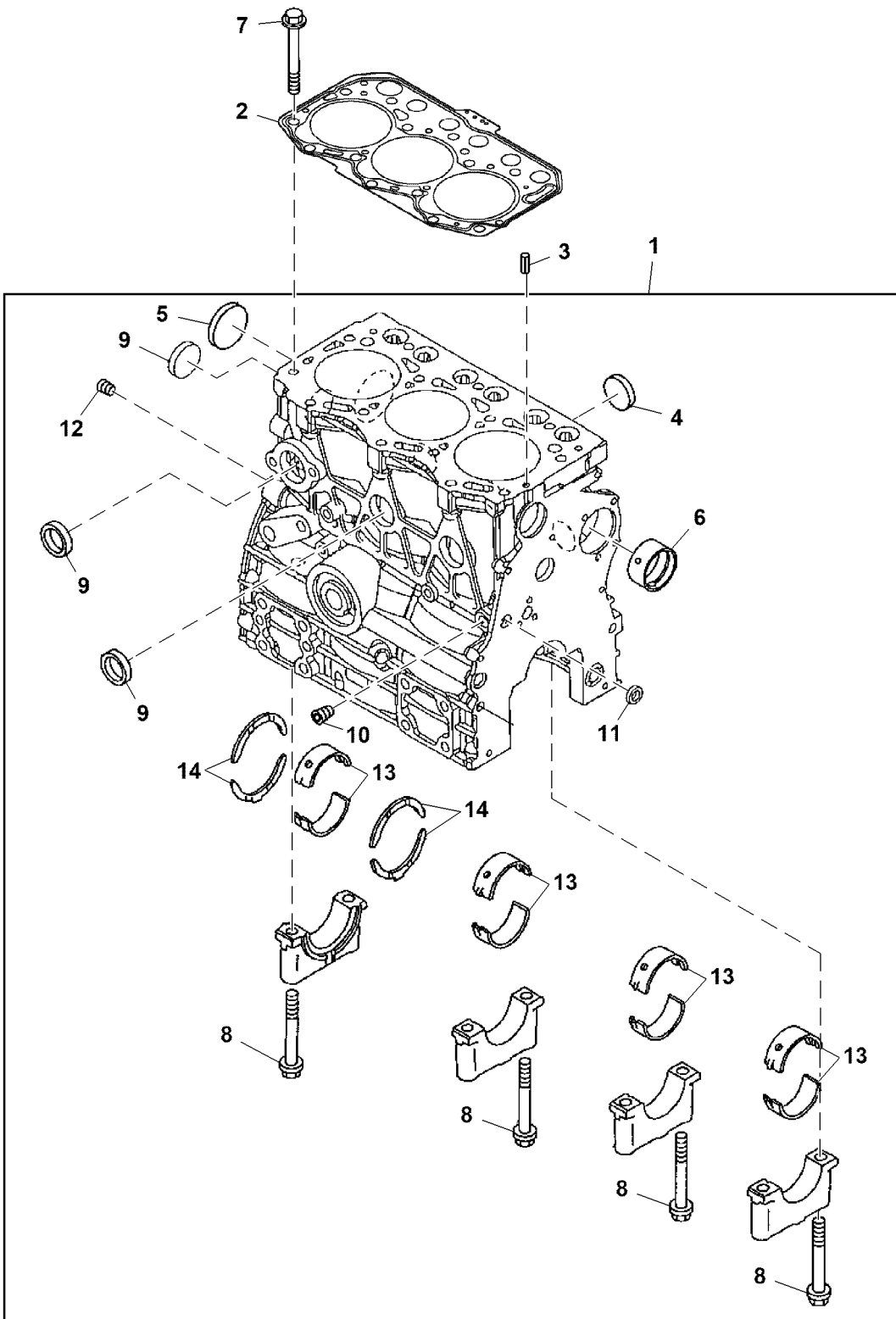
Key	Part No.	Part Name	Qty.	Serial No.	Remarks
1	AUC18147	Diesel Engine	1		MARKED 3TNV74F-NDJGM; SUB FOR AUC14126





Cylinder Block  
Cylinder Block  
Cylinder Block  
Cylinder Block  
Cylinder Block  
Cylinder Block

PU38487 A.1



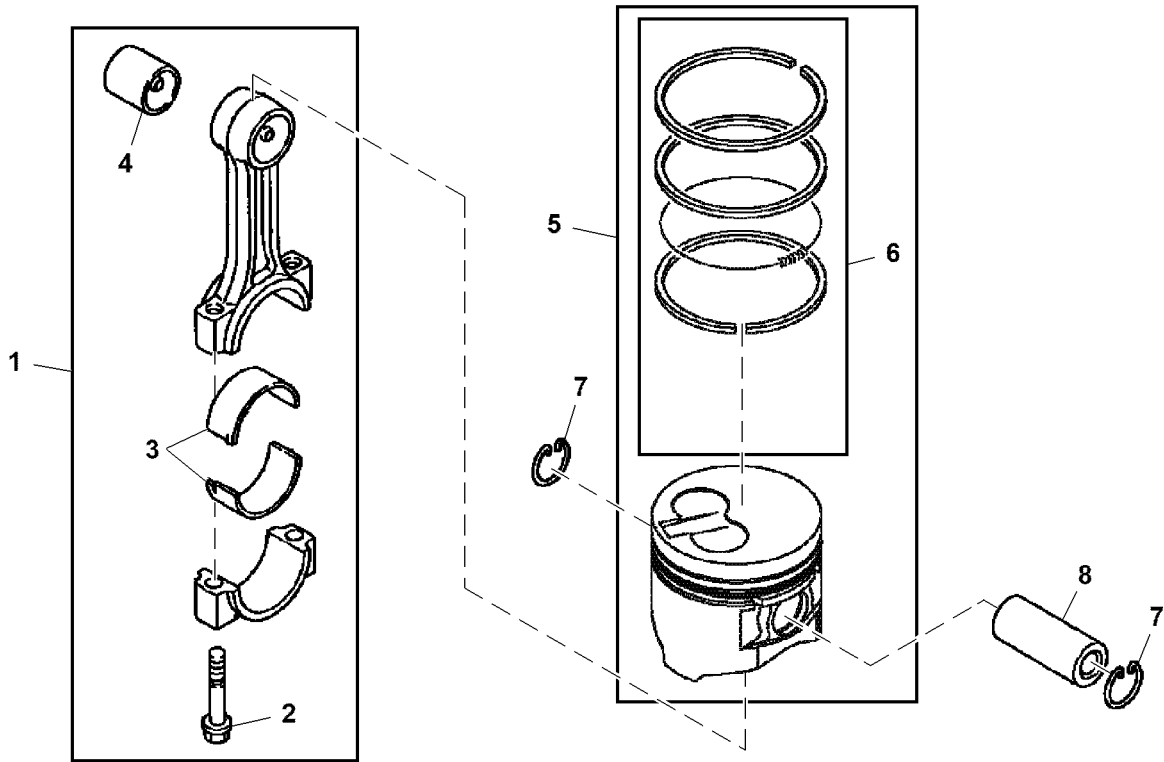
PU38487

Key	Part No.	Part Name	Qty.	Serial No.	Remarks
1	MIA883292	Cylinder Block	1		
2	MIA882277	Gasket	1		Cylinder Head
3	CH18079	Spring Pin	2		
4	M811807	Plug	3		
5	M809593	Plug	1		
6	MIU800572	Bushing	1		Camshaft
7	M800970	Bolt	14		
8	M87879	Bolt	8		
9	M811805	Plug	4		
10	CH10314	Plug	1		
11	M87801	Plug	1		
12	CH10335	Plug	1		
13	MIA880551	Bearing	4		STD, Main
	AM882418	Bearing	4		US = 0.25 mm
14	AM882419	Bearing	2		STD, Thrust
	MIA880557	Bearing	2		OS = 0.25 mm, Thrust

Connecting Rod and Piston  
 Connecting Rod and Piston  
 Connecting Rod and Piston  
 Connecting Rod and Piston  
 Connecting Rod and Piston  
 Connecting Rod and Piston



PU38304 A.1



PU38304

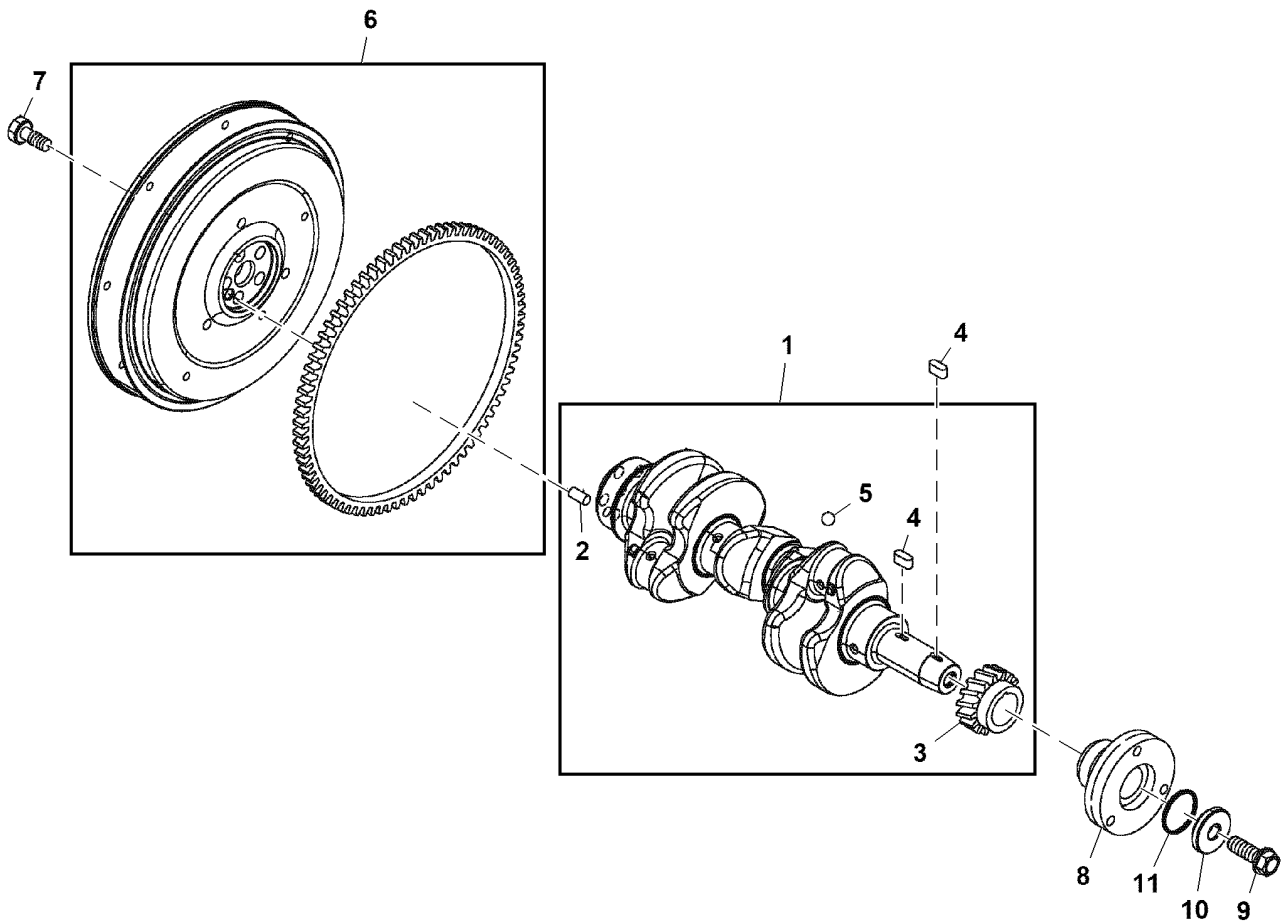
Key	Part No.	Part Name	Qty.	Serial No.	Remarks
1	MIA885008	Connecting Rod	3		
2	M811877	Bolt	6		
3	MIA880560	Bearing	3		STD, Crank Pin
4	MIA880565	Bearing	3		US = 0,25 mm, Crank
5	MIU804764	Bushing	3		Piston Pin
5	MIA883287	Piston Kit	3		STD
6	MIA882312	Piston Kit	3		OS = 0,25 mm
6	MIA882279	Piston Ring Kit	3		STD, Set of 4
6	MIA882310	Piston Ring Kit	3		OS = 0,25 mm, Set of 4
7	CH11486	Snap Ring	6		
8	M811869	Piston Pin	3		



Crankshaft and Flywheel  
Crankshaft and Flywheel  
Crankshaft and Flywheel  
Crankshaft and Flywheel  
Crankshaft and Flywheel



PU39028 A.1



PU39028

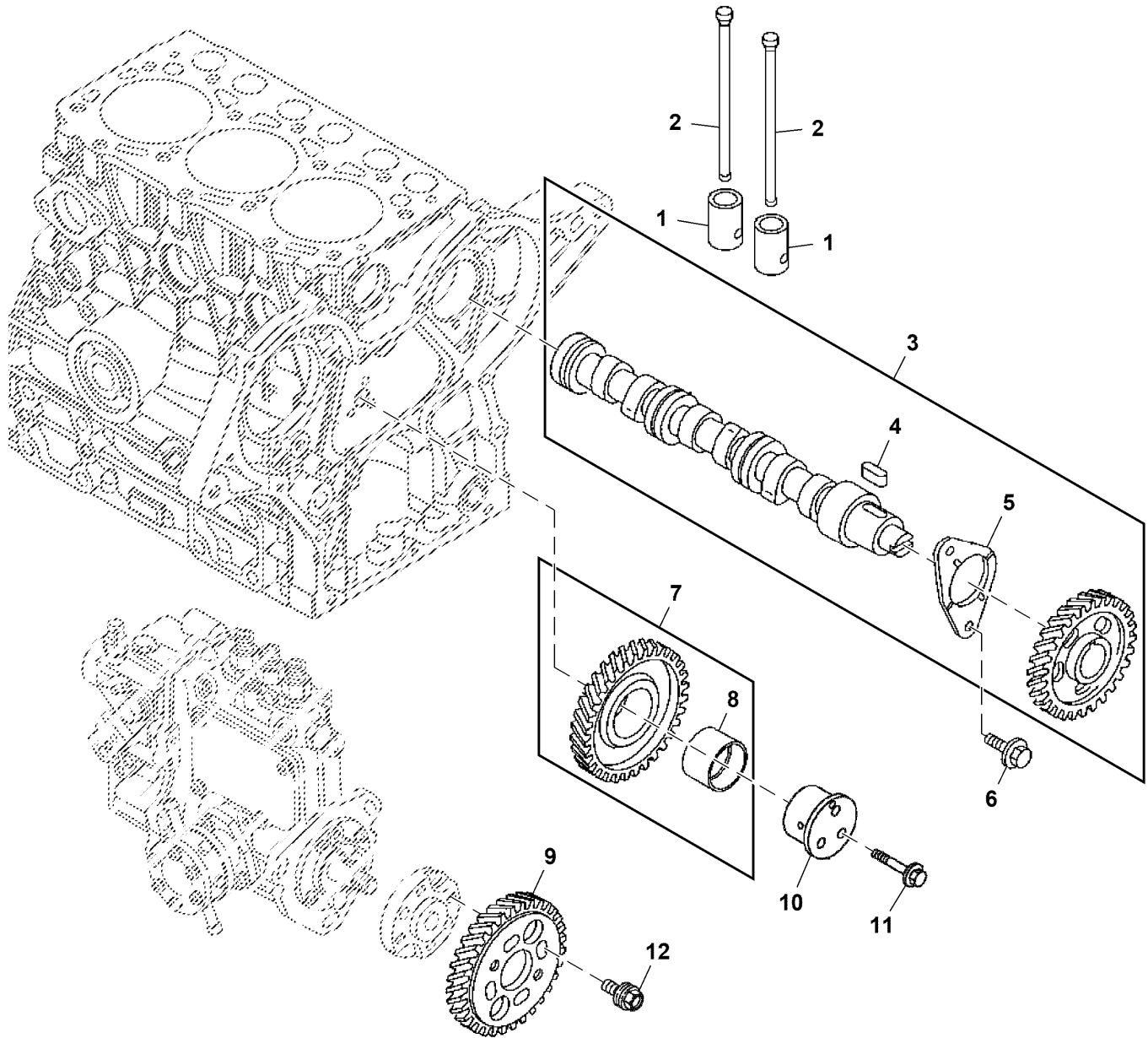
---

<i>Key</i>	<i>Part No.</i>	<i>Part Name</i>	<i>Qty.</i>	<i>Serial No.</i>	<i>Remarks</i>
1	MIA883286	Crankshaft	1		
2	M802255	Pin	1		
3	M811864	Gear	1		Crankshaft
4	M87812	Shaft Key	2		
5	400R	Ball	3		
6	MIA880575	Flywheel	1		
7	M87887	Bolt	5		
8	MIU800615	Pulley	1		Crankshaft
9	MIU801499	Bolt	1		
10	MIU802535	Washer	1		
11	MIU804760	O-Ring	1		

---

Camshaft and Driving Gear  
Camshaft and Driving Gear  
Camshaft and Driving Gear  
Camshaft and Driving Gear  
Camshaft and Driving Gear  
Camshaft and Driving Gear

PU38852 A.1



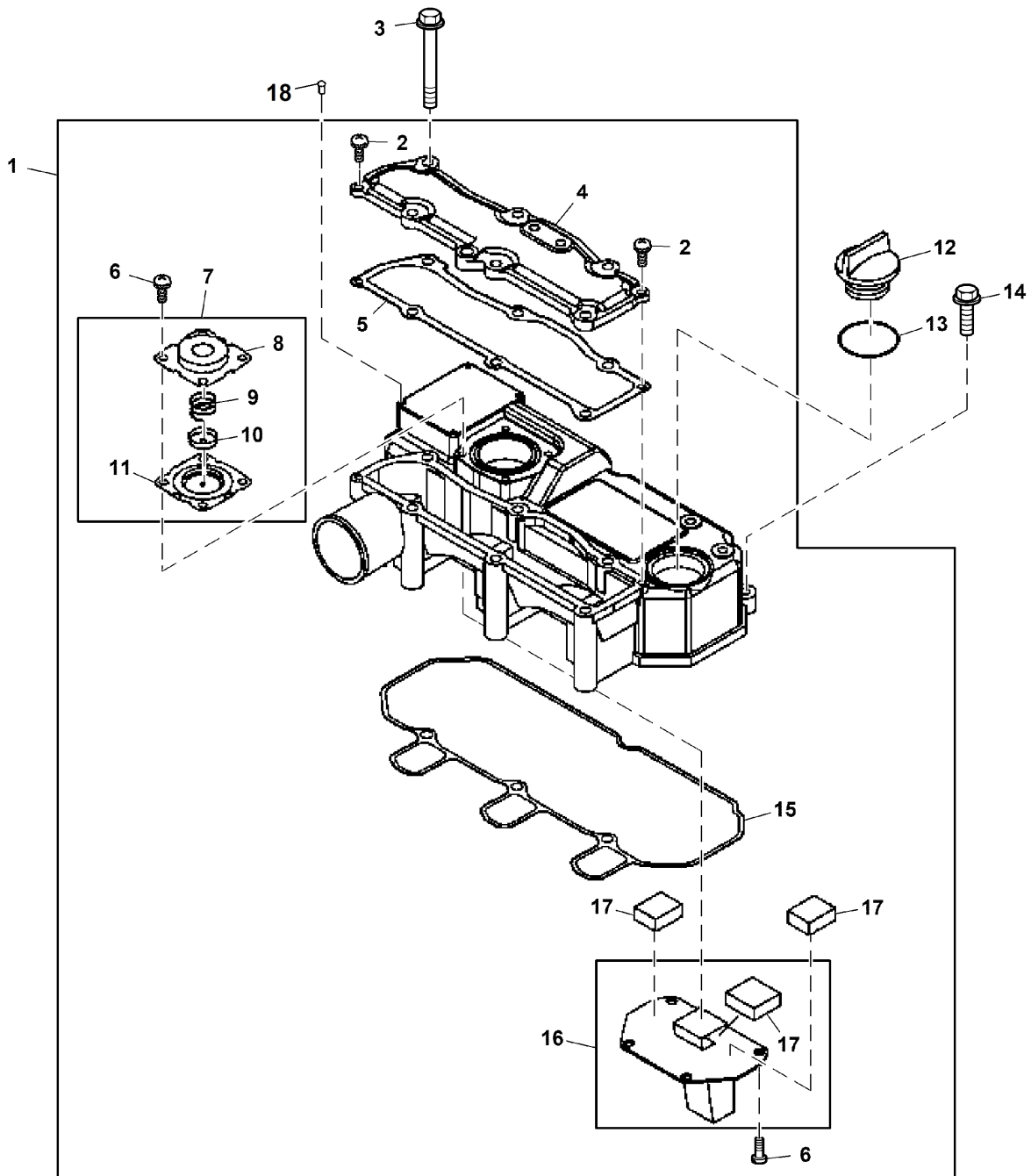
PU38852



Key	Part No.	Part Name	Qty.	Serial No.	Remarks
1	M87813	Tappet	6		
2	MIU800308	Push Rod	6		
3	MIA880536	Camshaft	1		
4	M87812	Shaft Key	1		
5	M87810	Flange	1		Thrust
6	19M7774	Screw	2		M6 X 12
7	MIA880570	Idler Gear	1		
8	MIU800598	Bushing	1		Idle Gear
9	M811884	Gear	1		Fuel Injection Pump
10	M811882	Shaft	1		Idle Gear
11	M87871	Bolt	3		
12	.....	Bolt	4		Pump Timing

Bonnet  
Bonnet  
Bonnet  
Bonnet  
Bonnet  
Bonnet

PU53818 A.1



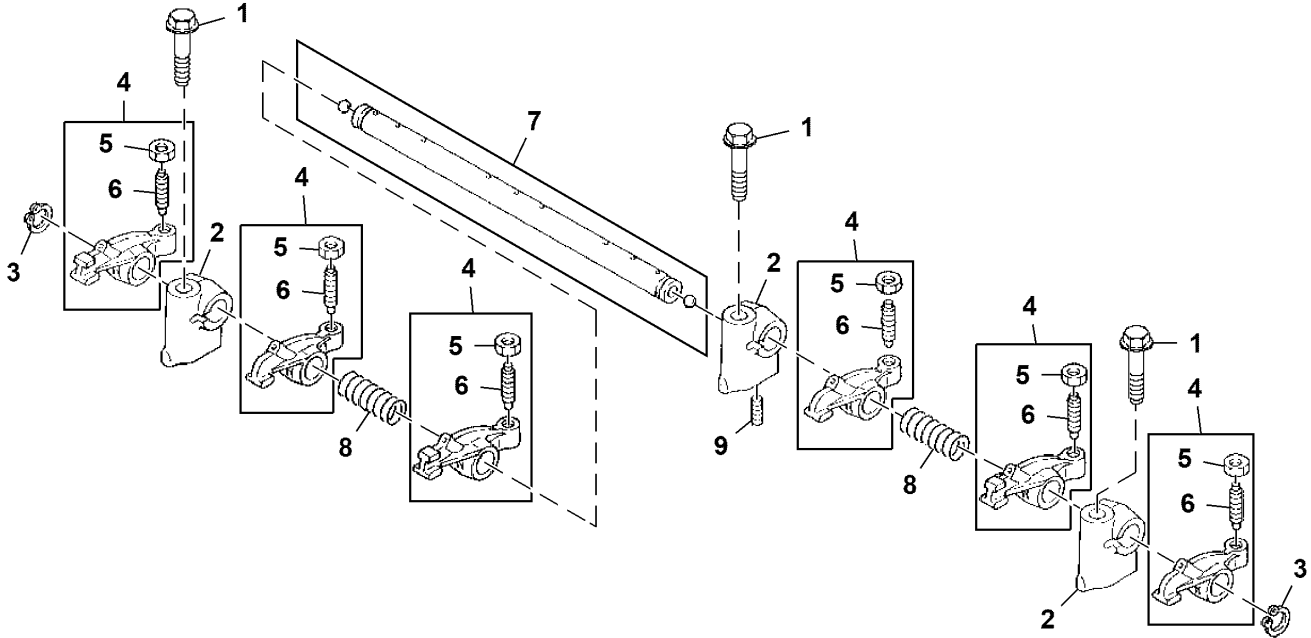
PU53818

Key	Part No.	Part Name	Qty.	Serial No.	Remarks
1	MIA880279	Valve Cover	1		Bonnet
2	M811981	Screw	2		
3	M800100	Bolt	6		
4	MIU800301	Cover	1		Bonnet, Upper
5	MIU800302	Gasket	1		
6	M807374	Screw	8		
7	AM882461	Diaphragm Kit	1		Diaphragm
8	M811649	Cover	1		
9	M811650	Spring	1		
10	M811046	Plate	1		Diaphragm
11	M811958	Diaphragm	1		Breather
12	M805710	Cap	1		Oil Fill
13	MIU804788	O-Ring	1		
14	19M7862	Screw	3		M6 X 20
15	MIU800300	Gasket	1		Bonnet, Lower
16	M811835	Plate	1		Baffle
17	M811836	Deflector	3		
18	CH10061	Rivet	4		

Rocker Arms  
 Rocker Arms  
 Rocker Arms  
 Rocker Arms  
 Rocker Arms  
 Rocker Arms



PU38853 A.1



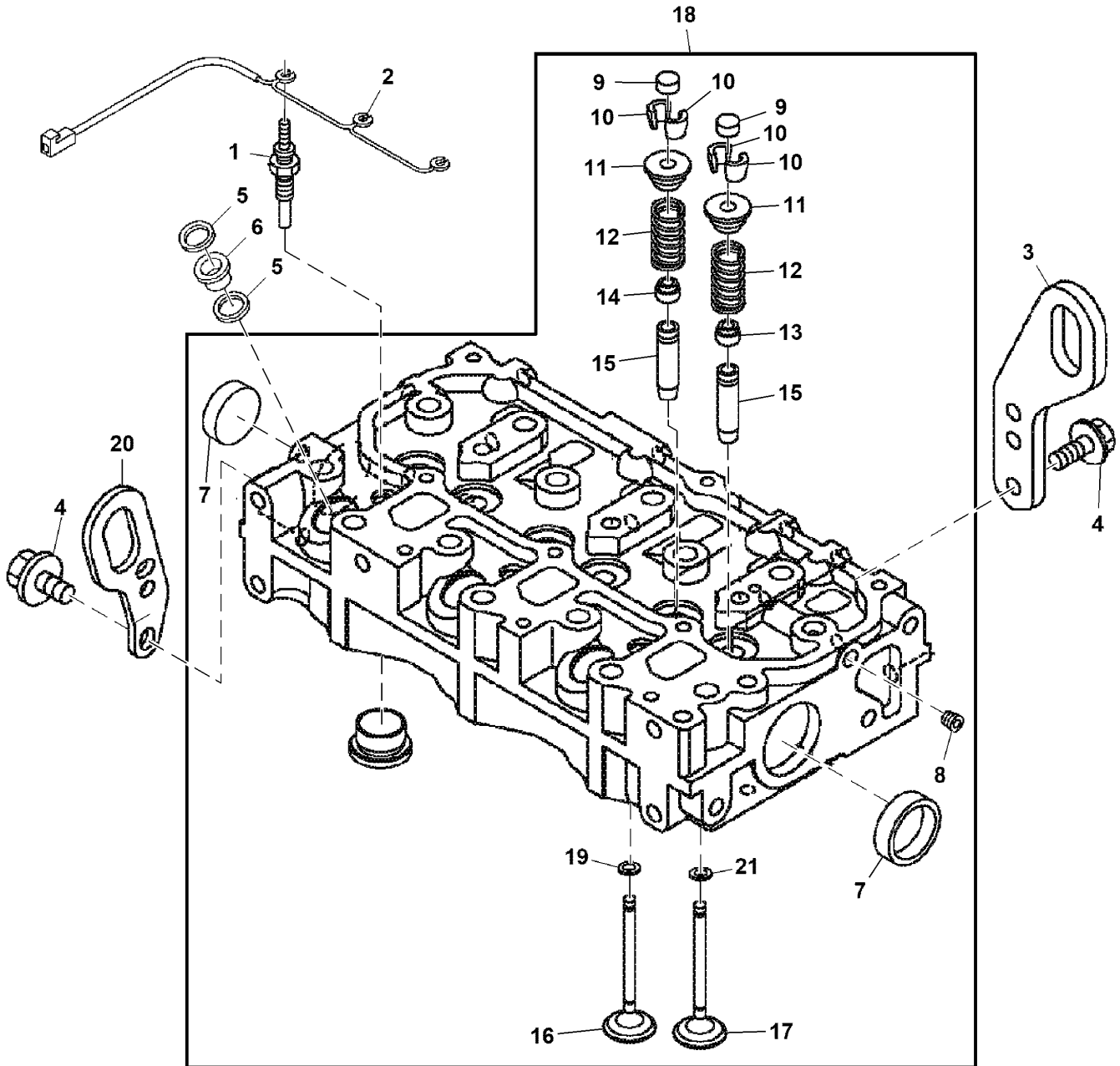
**PU38853**

Key	Part No.	Part Name	Qty.	Serial No.	Remarks
1	19M8317	Screw	3		M8 X 40
2	M811846	Support	3		Rocker Arm
3	M87818	Snap Ring	2		
4	AM882423	Rocker Arm	6		
5	M801028	Nut	6		
6	M801027	Stud	6		
7	MIA880278	Rocker Arm Shaft	1		
8	MIU800298	Spring	2		Shaft
9	M87893	Stud	1		



Cylinder Head  
Cylinder Head  
Cylinder Head  
Cylinder Head  
Cylinder Head  
Cylinder Head

PU38823 A.1

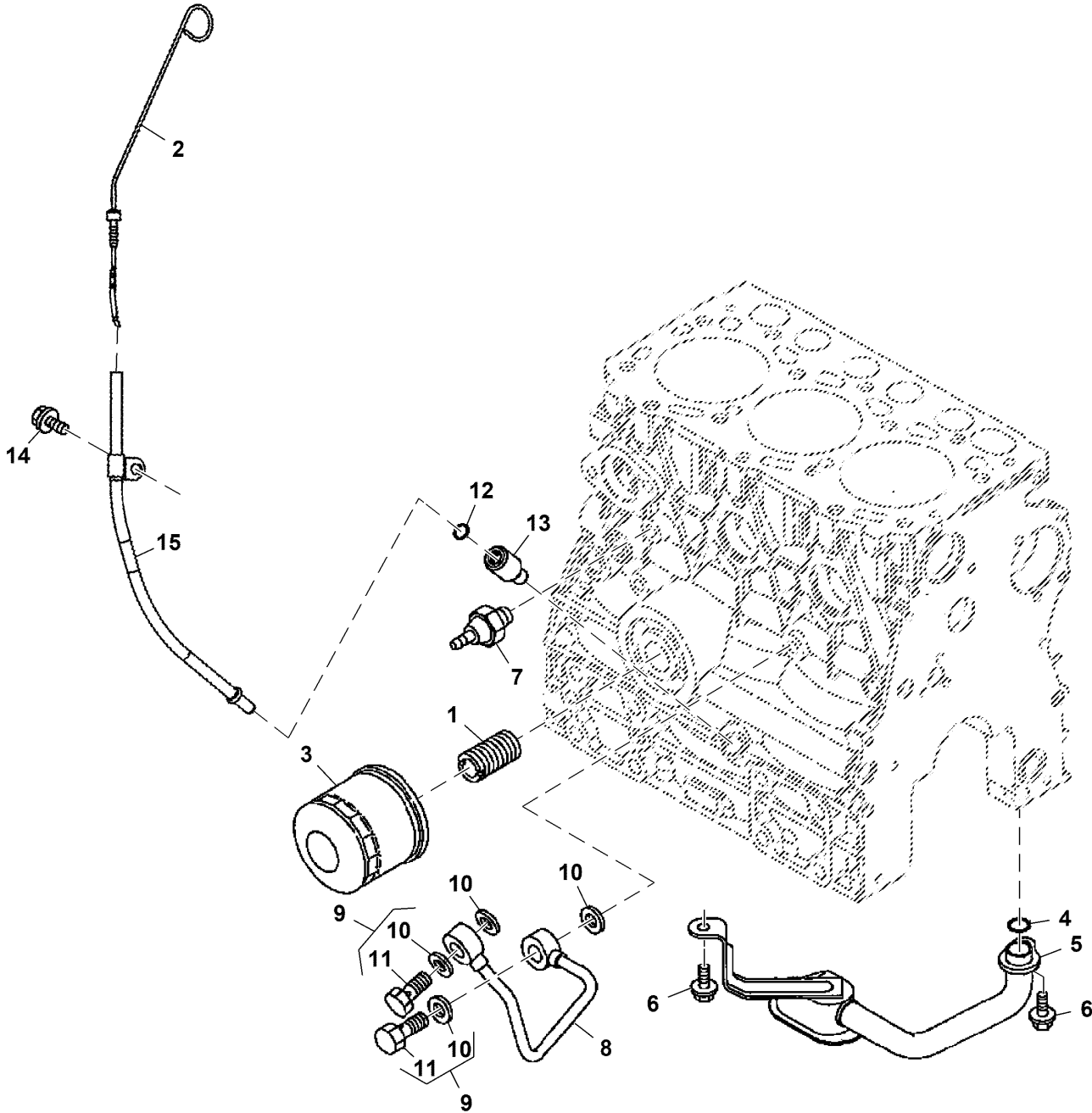


PU38823

Key	Part No.	Part Name	Qty.	Serial No.	Remarks
1	MIU805954	Glow Plug	3		SUB FOR MIU802457
2	M811938	Elec. Connector Terminal	1		Glow Plug
3	M809202	Bracket	1		Lifter, Rear
4	CH19780	Bolt	4		
5	M89135	Gasket	6		Fuel Injection Nozzle
6	M811967	Shield	3		Injector Nozzle
7	M811808	Plug	2		
8	M808706	Plug	1		
9	M811804	Cap	6		Valve
10	M811844	Retainer	12		Valve
11	M811966	Retainer	6		Spring
12	M811842	Spring	6		
13	M811850	Seal	3		Intake
14	M811851	Seal	3		Exhaust
15	MIU800305	Valve	6		
16	MIU802532	Exhaust Valve	3		
17	MIU802531	Intake Valve	3		
18	MIA883285	Cylinder Head	1		
19	MIU802291	Valve Seat Insert	3		Exhaust Valve
20	MIU800461	Bracket	1		Lifter, Front
21	MIU802290	Valve Seat Insert	3		Intake Valve

Oil Filter and Dipstick  
Oil Filter and Dipstick  
Oil Filter and Dipstick  
Oil Filter and Dipstick  
Oil Filter and Dipstick  
Oil Filter and Dipstick

PU38609 A.1



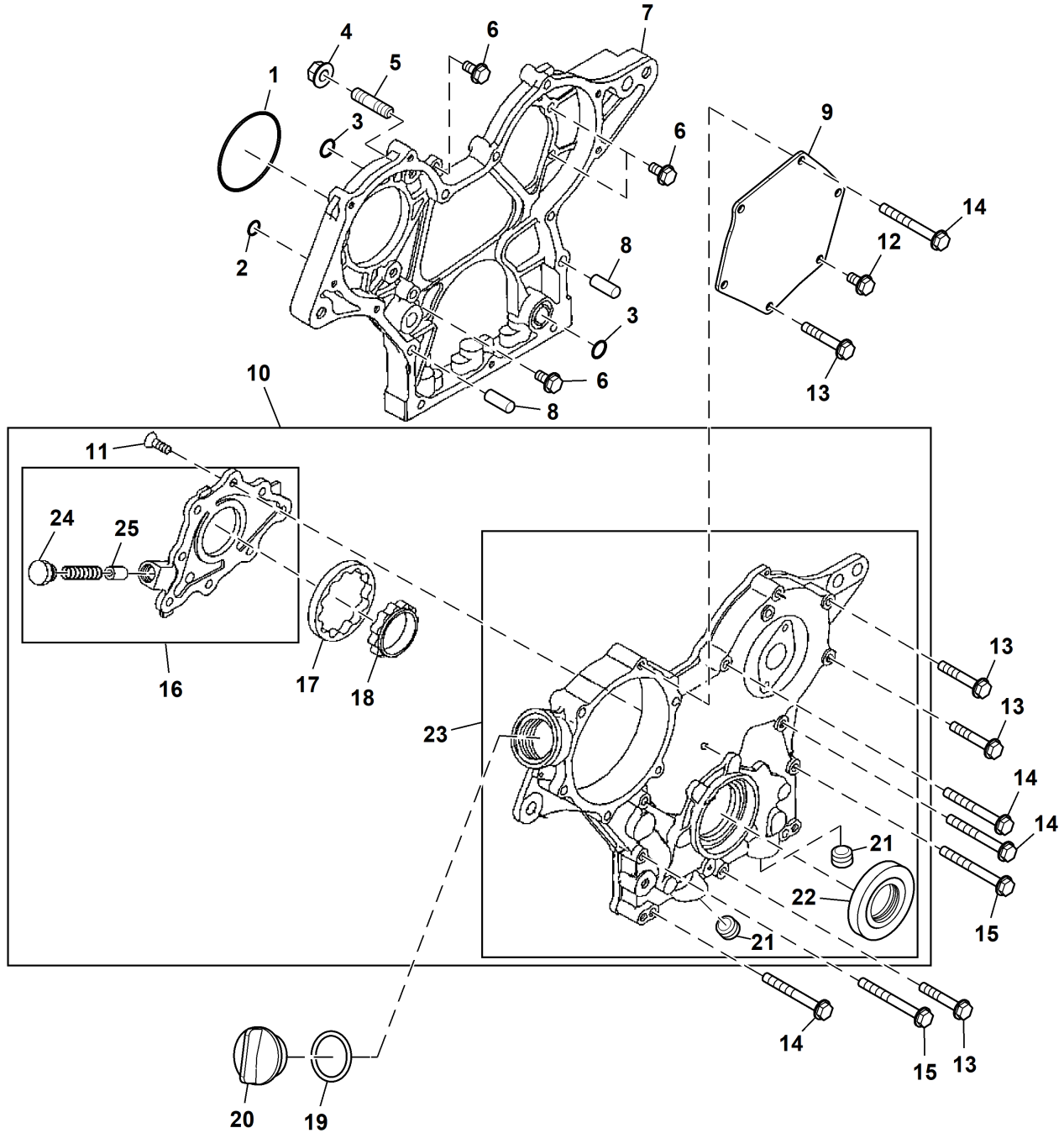
PU38609



Key	Part No.	Part Name	Qty.	Serial No.	Remarks
1	MIU805441	Stud	1		SUB FOR MIU801676
2	MIU804783	Dipstick	1		
3	M806418	Oil Filter	1		
4	M811886	O-Ring	1		Oil M6 X 10
5	MIA880297	Pipe	1		
6	19M7300	Cap Screw	2		
7	M809526	Switch	1		Hydraulic
8	M811892	Pipe	1		
9	AM881809	Bolt	2		
10	M803523	Washer	4		
11	CH16843	Bolt	2		
12	MIU801479	O-Ring	1		
13	M89143	Guide	1		Dipstick M8 X 12
14	19M7864	Screw	1		
15	MIU804782	Dipstick Tube	1		

Gear Case  
Gear Case  
Gear Case  
Gear Case  
Gear Case  
Gear Case

PU53817 A.1



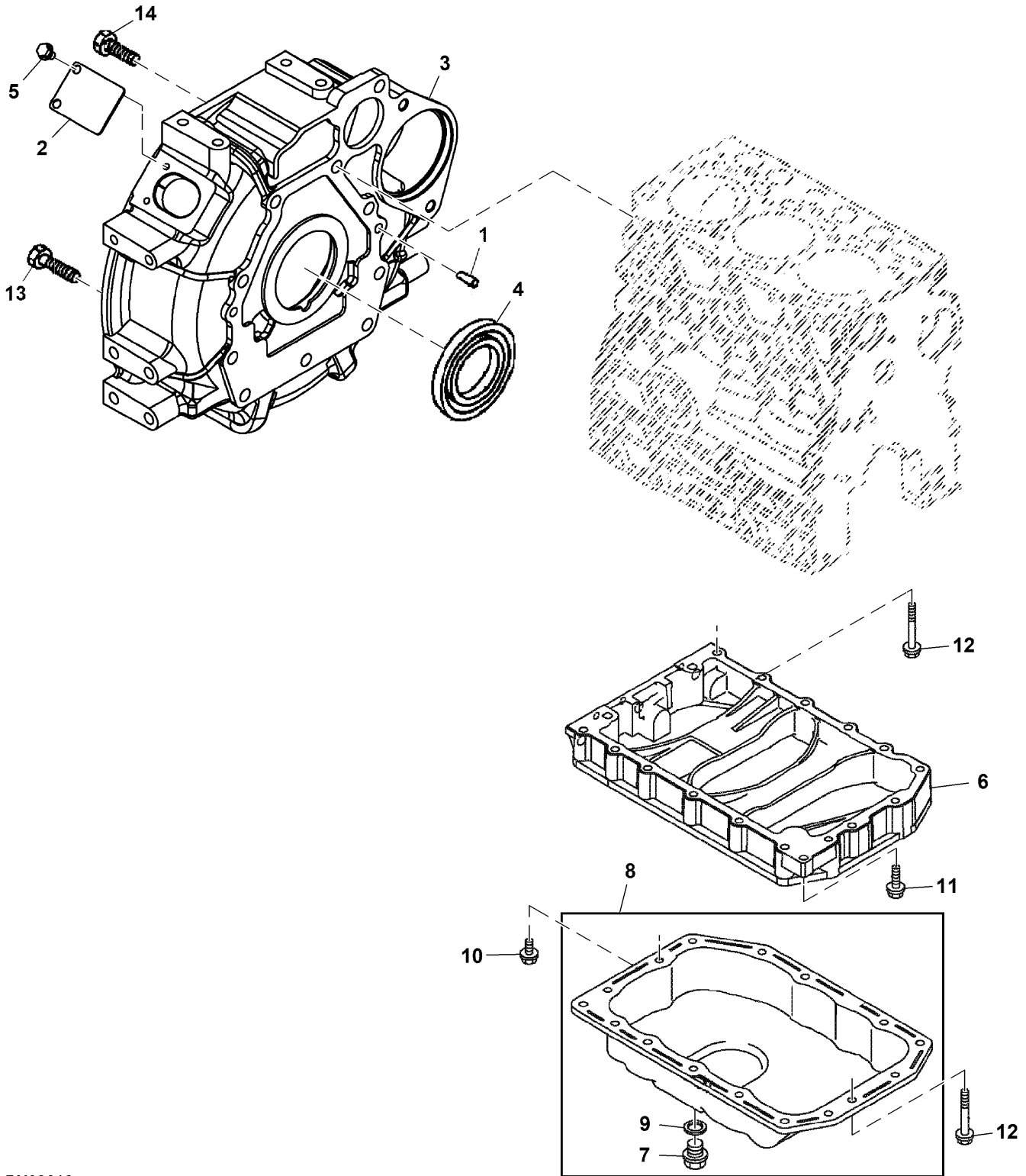
PU53817

Key	Part No.	Part Name	Qty.	Serial No.	Remarks
1	CH16940	O-Ring	1		
2	M809204	O-Ring	1		
3	M811885	O-Ring	3		
4	14M7298	Flange Nut	3	M8	
5	M811820	Stud	3		
6	19M7775	Screw	4	M6 X 16	
7	M811816	Gear Case	1		
8	M800006	Dowel Pin	4		
9	M811823	Cover	1		Pump Timing
10	AM882445	Cover	1		Gear Case
11	M811061	Screw	8		
12	19M7774	Screw	1	M6 X 12	
13	19M7797	Screw	6	M6 X 40	
14	M89120	Bolt	7		
15	M800065	Bolt	2		
16	AM882435	Cover	1		Lubrication Oil Pump
17	M811889	Rotor	1		Outer
18	M811888	Rotor	1		Inner
19	MIU804788	O-Ring	1		
20	M805710	Cap	1		Oil Fill
21	M806938	Plug	2		
22	M811563	Seal	1		Oil
23	AM882469	Cover	1		Gear Case
24	M806737	Plug	1		
25	M811140	Pressure Relief Valve	1		

Flywheel Housing and Oil Pan  
Flywheel Housing and Oil Pan  
Flywheel Housing and Oil Pan  
Flywheel Housing and Oil Pan  
Flywheel Housing and Oil Pan  
Flywheel Housing and Oil Pan



PU38610 A.1

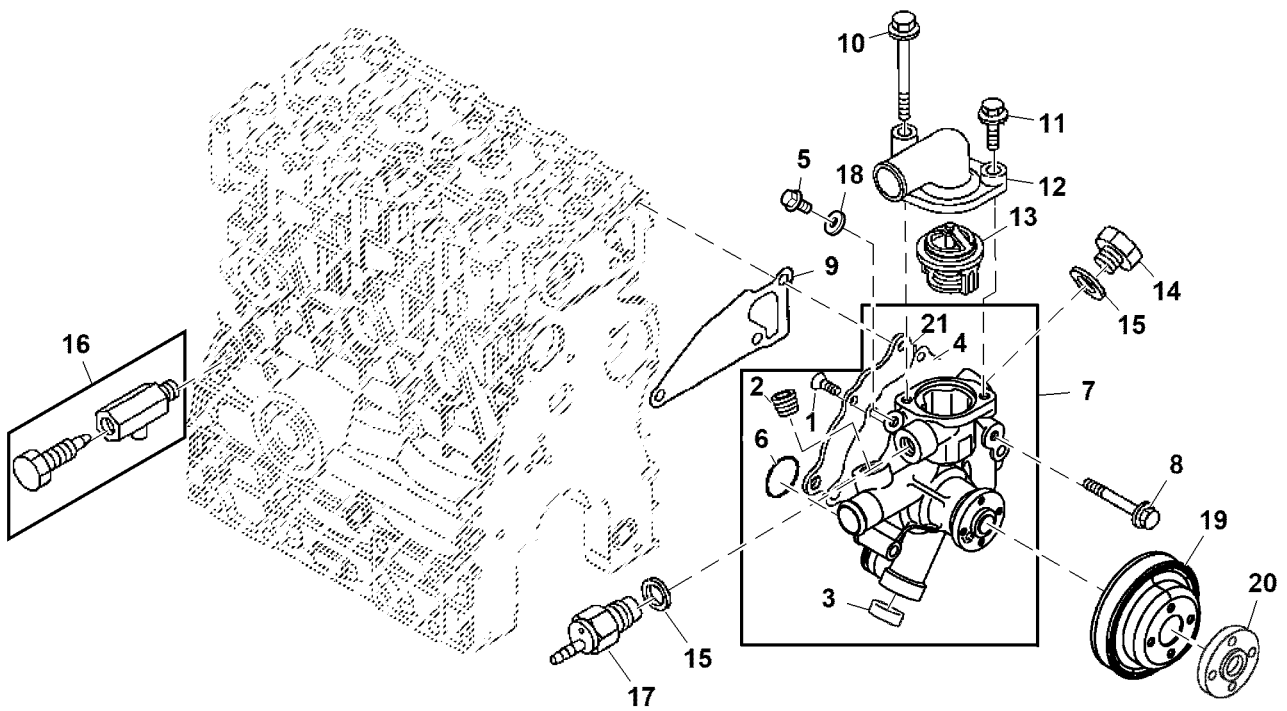


PU38610

Key	Part No.	Part Name	Qty.	Serial No.	Remarks
1	M802255	Pin	2		
2	MIU804944	Cover	1		Fly Wheel
3	MIU804802	Housing	1		
4	M801941	Seal	1		Oil
5	19M7300	Cap Screw	2		M6 X 10
6	MIU800290	Oil Pan	1		
7	T111565	Plug	1		
8	MIA880523	Reservoir Kit	1		
9	M811568	Washer	1		
10	19M7774	Screw	1		M6 X 12
11	M87869	Bolt	1		
12	M87878	Bolt	17		
13	MIU804805	Bolt	3		
14	19M7402	Cap Screw	7		M10 X 25, SUB FOR M800077

Water Pump and Thermostat  
Water Pump and Thermostat  
Water Pump and Thermostat  
Water Pump and Thermostat  
Water Pump and Thermostat

PU50113 A.1

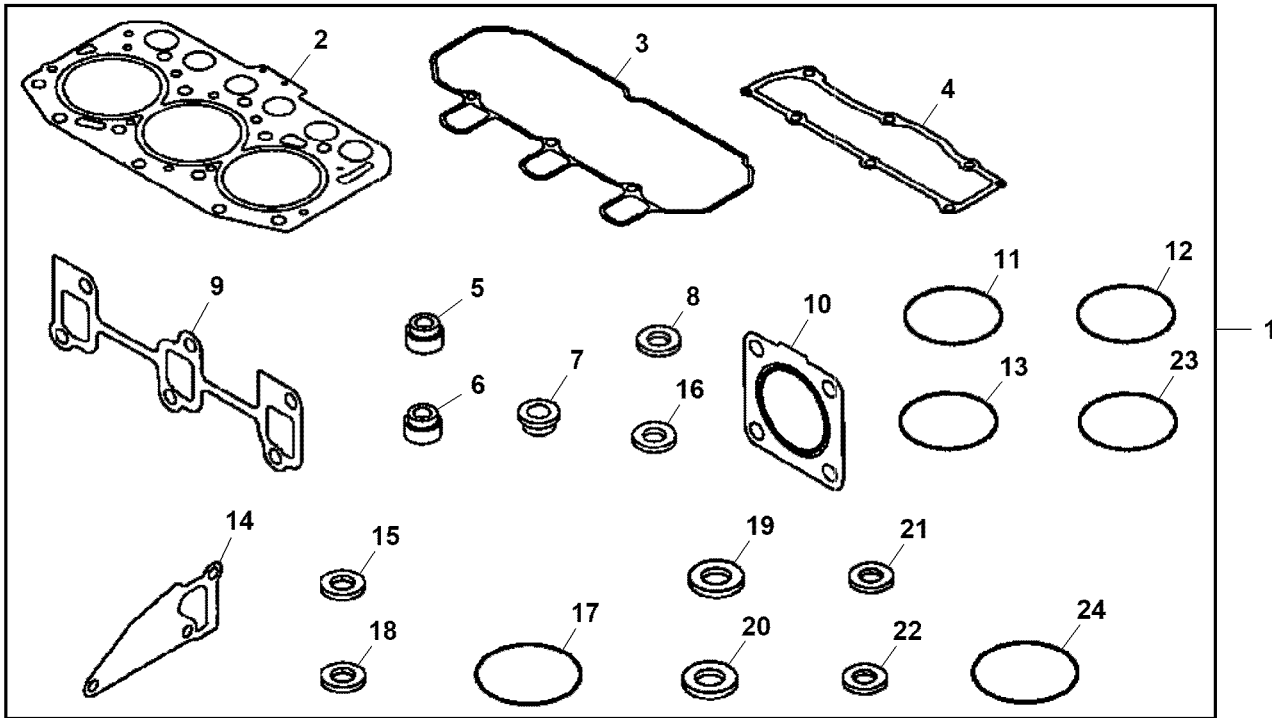


PU50113

Key	Part No.	Part Name	Qty.	Serial No.	Remarks
1	21M7194	Screw	5		M6 X 12, SUB FOR M800087
2	M811345	Drain Plug	1		
3	CH17101	Plug	1		USE WITH MIA882800
4	MIU800048	Gasket	1		Water Pump
5	19M7864	Screw	1		M8 X 12
6	MIU802236	O-Ring	1		
7	MIA885348	Water Pump	1		SUB FOR MIA882800
8	19M7800	Screw	3		M8 X 50
9	MIU800322	Gasket	1		Water Pump
10	CH19099	Bolt	1		
11	M800997	Bolt	1		
12	M811287	Cover	1		Thermostat
13	M811895	Thermostat	1		For USA and Canada
	MIU804757	Thermostat	1		Not for USA and Canada
14	M800312	Plug	1		
15	CH13814	Washer	2		
16	AM100800	Drain Valve	1		
17	CH15516	Switch	1		Water Temperature
18	CH10554	O-Ring	1		
19	M811894	Pulley	1		Cooling Water Pump
20	M801762	Spacer	1		
21	MIU800613	Cover	1		

Engine Gasket Kit  
 Engine Gasket Kit  
 Engine Gasket Kit  
 Engine Gasket Kit  
 Engine Gasket Kit  
 Engine Gasket Kit

PU34763 A.1



PU34763

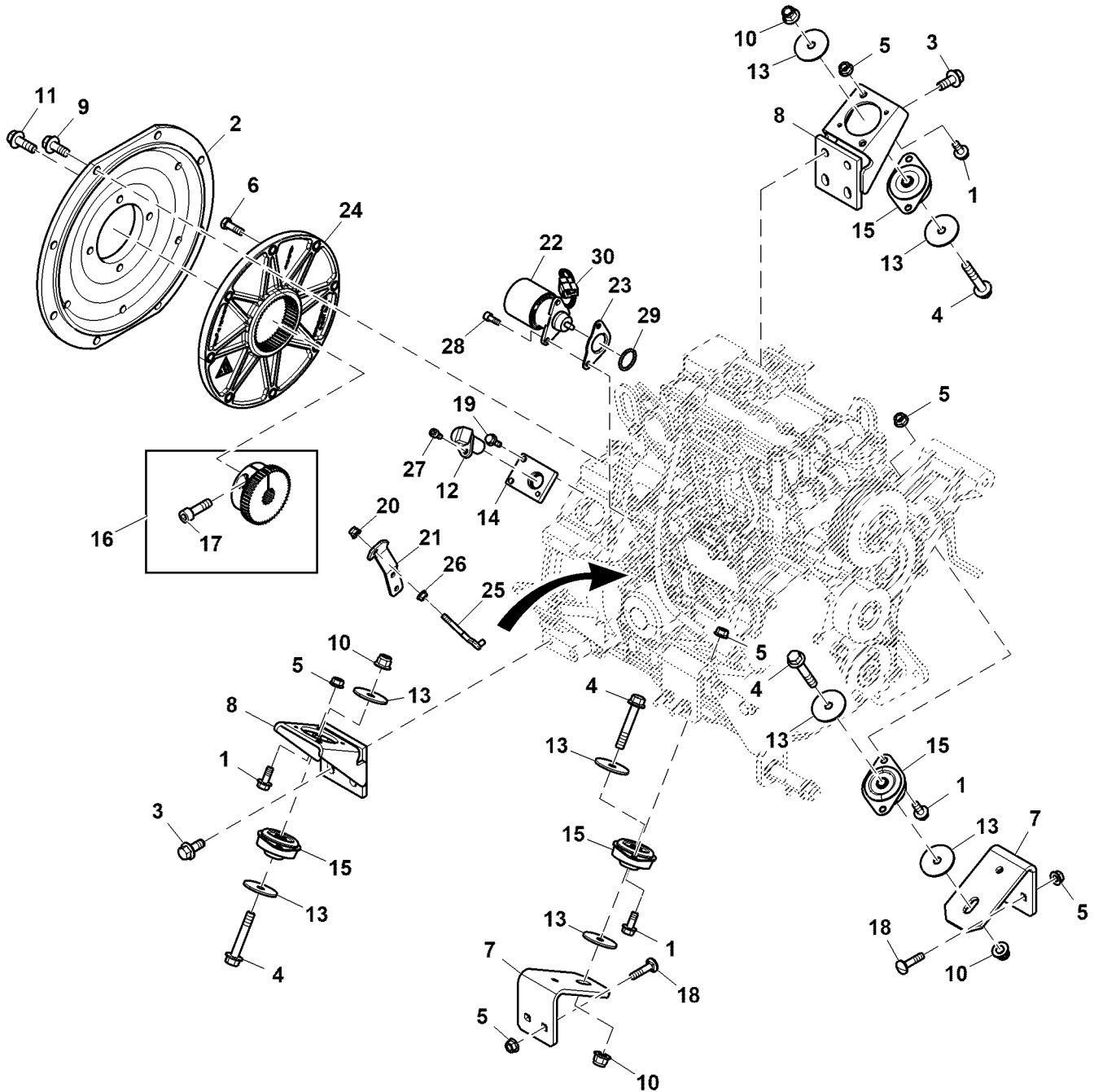
Key	Part No.	Part Name	Qty.	Serial No.	Remarks
1	MIA883636	Gasket Kit	1		
2	MIA882277	Gasket	1		Cylinder Head
3	MIU800300	Gasket	1		Bonnet, Lower
4	MIU800302	Gasket	1		Bonnet, Upper
5	M811850	Seal	3		Intake Valve Stem
6	M811851	Seal	3		Exhaust Valve Stem
7	M811967	Shield	3		Injector Nozzle
8	M89135	Gasket	6		Fuel Injection Nozzle
9	M811857	Gasket	1		Exhaust Manifold
10	M811809	Gasket	1		Silencer
11	M809204	O-Ring	1		Gear Case
12	M811885	O-Ring	3		Gear Case
13	M811886	O-Ring	1		
14	MIU800322	Gasket	1		Water Pump
15	CH13814	Washer	1		
16	T110737	Gasket	1		
17	CH16940	O-Ring	1		Gear Case
18	M811968	Gasket	3		Fuel Return
19	M803523	Washer	4		
20	M806438	Washer	4		
21	M811568	Washer	1		
22	CH10554	Washer	1		
23	MIU804788	O-Ring	1		
24	MIU804760	O-Ring	1		





Engine Mounting and Brackets  
Engine Mounting and Brackets  
Engine Mounting and Brackets  
Engine Mounting and Brackets  
Engine Mounting and Brackets

PU39005 A.1



PU39005

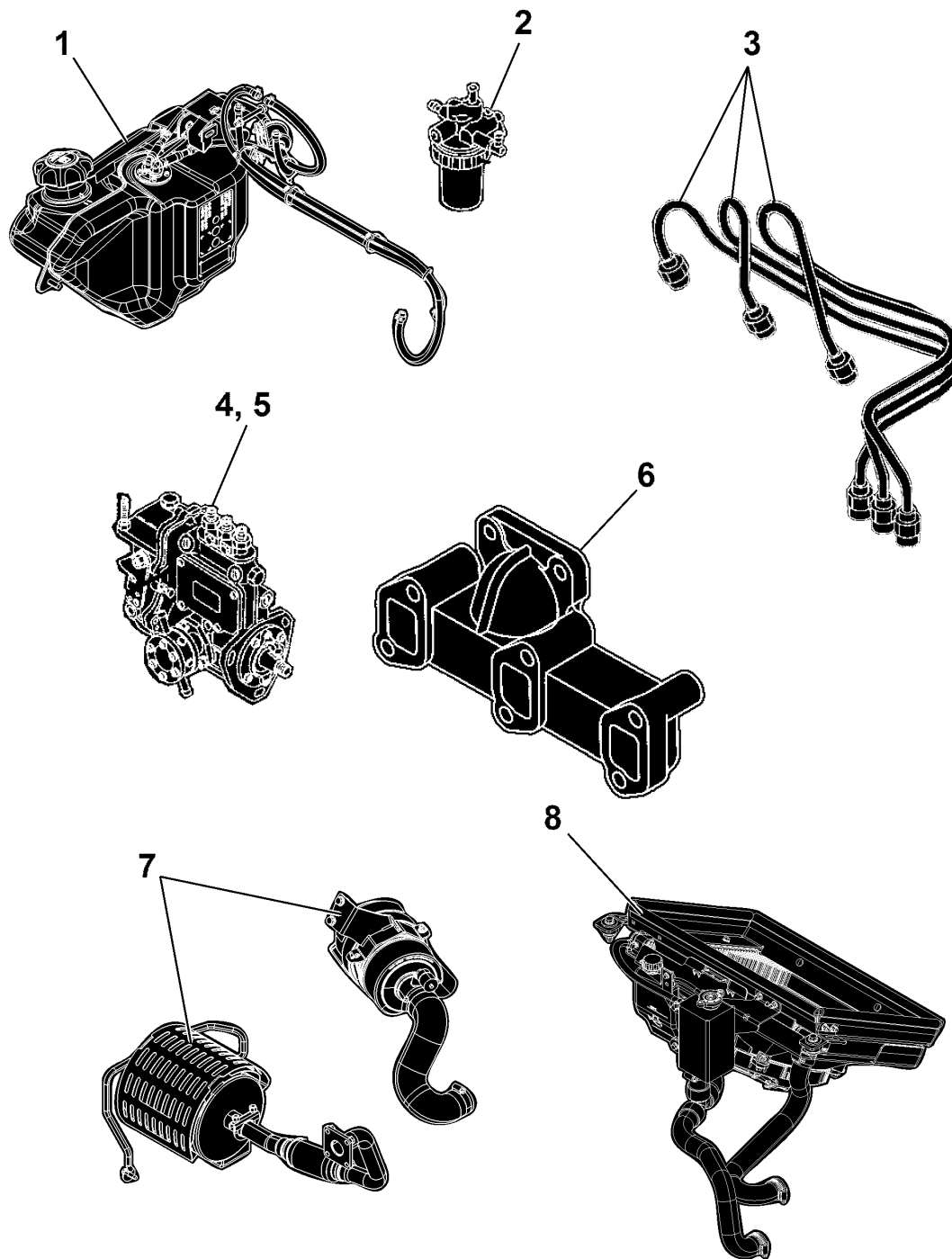
Key	Part No.	Part Name	Qty.	Serial No.	Remarks
1	19M7866	Screw	8		M8 X 20
2	M808973	Cover	1		Flywheel
3	TCU33342	Screw	6		
4	19M7807	Screw	4		M10 X 60
5	14M7298	Flange Nut	12		M8
6	19M7163	Cap Screw	8		M8 X 25
7	TCU21382	Bracket	2		LH
8	AMT523	Bracket	2		RH
9	19M7785	Screw	8		M10 X 25
10	14M7465	Lock Nut	4		M10
11	TCU33288	Screw	2		
12	MIU802138	Sensor	1		Crankshaft Pulse
13	24H1314	Washer	8		13/32" X 1-3/4" X 7/64"
14	UC12149	Spacer	1		
15	M110999	Isolator	4		
16	TCA12646	Hub	1		
17	19M8867	Screw	1		M10 X 35
18	03M7187	Bolt	4		M8 X 35
19	19M7862	Screw	2		M6 X 20
20	14M7397	Lock Nut	1		M6
21	UC15308	Bracket	1		Fixed Throttle
22	UC14935	Solenoid	1		ORDER UC34847
	UC34847	Solenoid	1		
23	UC16050	Gasket	1		Fuel Solenoid
24	MT840	Coupling	1		Flywheel
25	UC18220	Hook	1		
26	14M7303	Flange Nut	1		M6
27	19M8618	Screw	1		M6 X 12
28	19M8666	Screw	2		M6 X 16
29	F3171R	O-Ring	1		
30	AZ50831	Elec. Connector Housing	1		Fuel Solenoid
	57M8164	Elec. Connector Terminal	1		
	57M7621	Elec.Connect Locking Device	1		



Sectional Pictorial Index  
 Index d'illustrations par sections.  
 Gruppenbildindex  
 Indice illustrato delle sezioni  
 Índice de ilustraciones por secciones  
 Avsnittsbildregister

PU38604 A.1

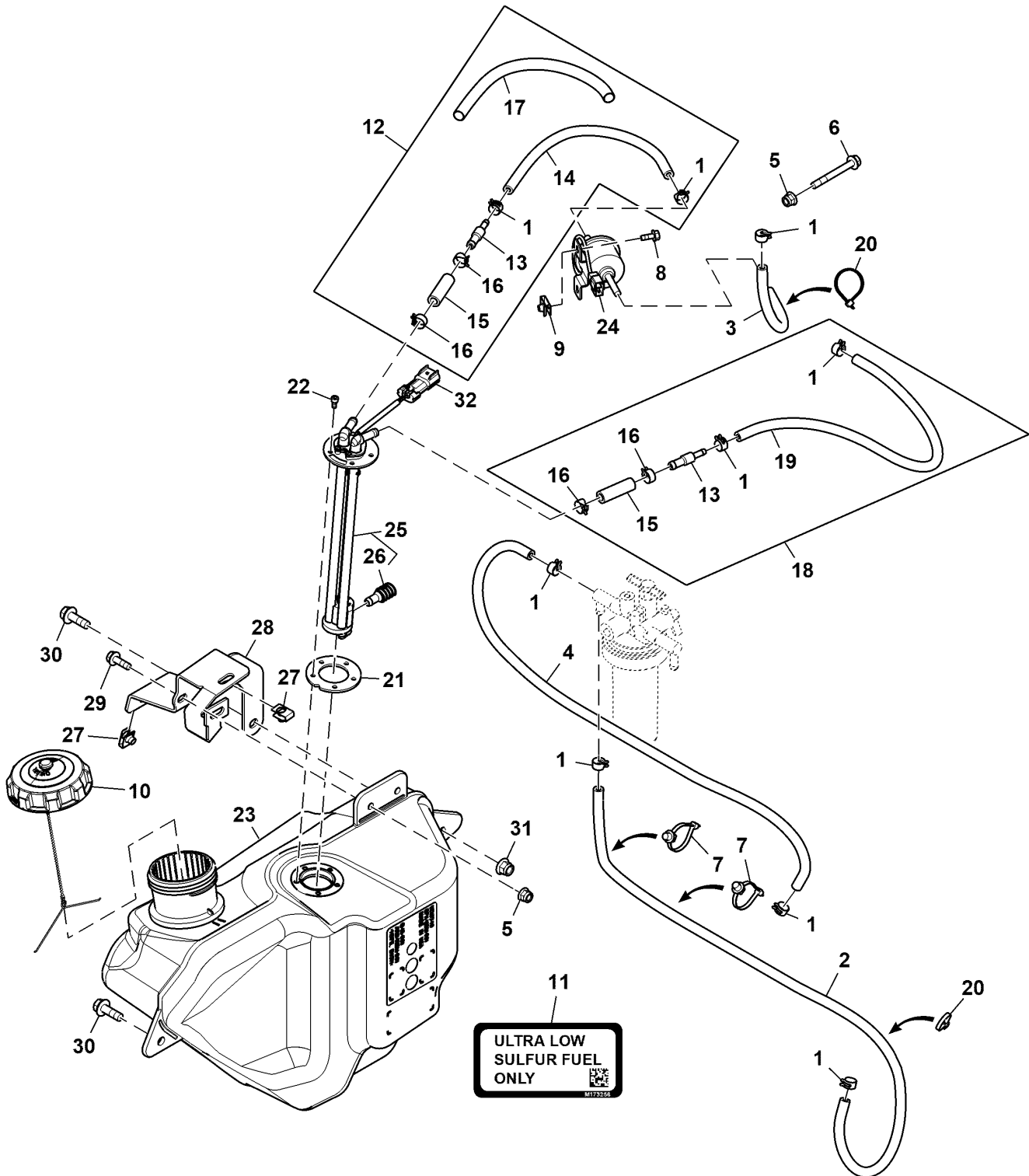
1-	86
2-	88
2-	90
3-	92
4-	94
5-	96
6-	98
7-	100
8-	102



PU38604

Fuel Tank and Fuel Pump  
 Fuel Tank and Fuel Pump  
 Fuel Tank and Fuel Pump  
 Fuel Tank and Fuel Pump  
 Fuel Tank and Fuel Pump  
 Fuel Tank and Fuel Pump

PU49296 A.1



ULTRA LOW  
 SULFUR FUEL  
 ONLY

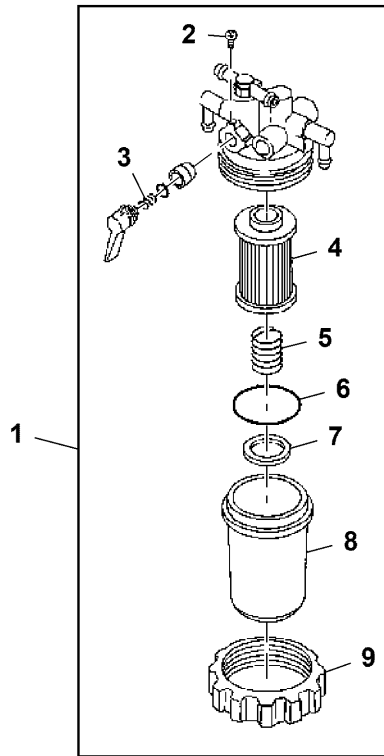
PU49296

Key	Part No.	Part Name	Qty.	Serial No.	Remarks
1	R56101	Clip	10		
2	.....	Fuel Hose	1		CTL 963 mm, MF UC24981; SUB FOR M175325, Fuel Filter to Fuel Injection Pump
3	.....	Fuel Hose	1		CTL 310 mm, MF UC24981; SUB FOR M175325
4	.....	Fuel Hose	1		CTL 837 mm, MF UC24981; SUB FOR M175325, Fuel Injection Pump to Fuel Filter Return
5	14M7396	Lock Nut	3		M8
6	19M7803	Screw	1		M8 X 70
7	TCU29933	Clip	3		
8	19M7775	Screw	2		M6 X 16
9	M84972	Nut	2		
10	UC29094	Filler Cap	1		SUB FOR APPL LVA18519, Fuel Vent
11	M173256	Label	1		Fuel Inlet, Ultra Low
12	AUC17655	Fuel Hose	1		SUB FOR AUC15808, Fuel Tank to Fuel Pump, Order Individual Parts
13	T287877	Reducer	2		
14	.....	Fuel Hose	1		CTL 350 mm, MF UC24981; SUB FOR M175325, Fuel Tank to Fuel Pump
15	.....	Fuel Hose	2		CTL 50 mm, MF UC24983; SUB FOR M175325, Fuel Tank to Fuel Pump
16	R97021	Clamp	4		
17	T257818	Hose Guard	1		
18	AUC15810	Fuel Hose	1	-020000	Fuel Filter to Fuel Tank
19	AUC17657	Fuel Hose	1	020001-	Fuel Filter to Fuel Tank, Order Individual Parts
	.....	Fuel Hose	1		CTL 560 mm, MF UC24981; SUB FOR M175325, Fuel Filter to Fuel Tank
20	H77698	Tie Band	2		
21	R125590	Gasket	1		
22	19M9477	Screw	5		M5 X 10
23	UC24309	Fuel Tank	1		SUB FOR UC18740
24	AM876266	Fuel Pump	1		
25	AUC16440	Fuel Sender	1		Pickup and Return
26	UC19474	Fuel Filter	1		
27	M84971	Nut	2		
28	UC15774	Bracket	1		Fuel Tank, Rear
29	19M7867	Screw	2		M8 X 25
30	19M7786	Screw	2		M10 X 30
31	14M7465	Lock Nut	1		M10
32	57M7304	Elec. Connector Housing	1		

Fuel Filter  
 Fuel Filter  
 Fuel Filter  
 Fuel Filter  
 Fuel Filter  
 Fuel Filter



PU38482 A.1



PU38482

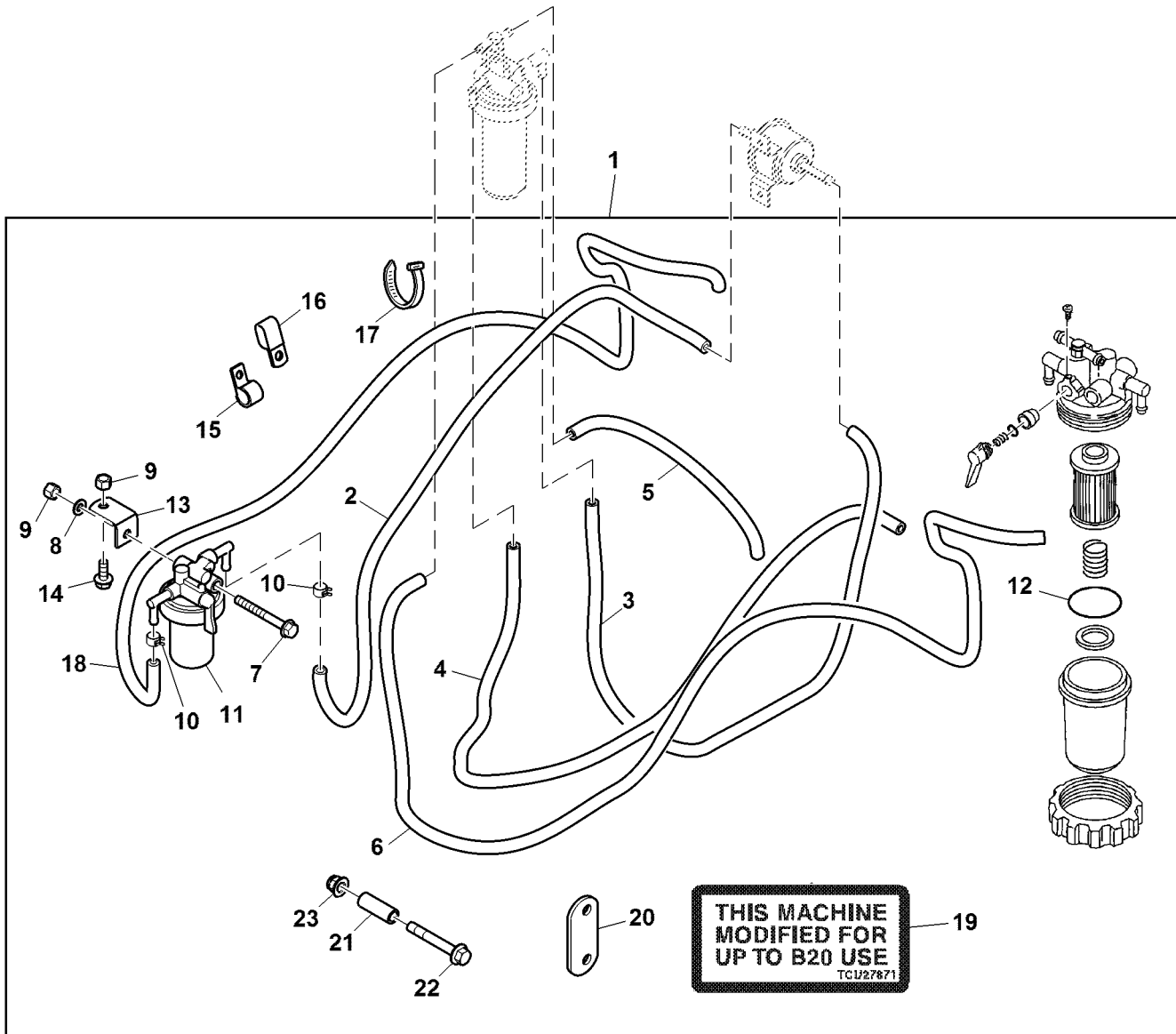
Key	Part No.	Part Name	Qty.	Serial No.	Remarks
1	MIA884996	Fuel Filter	1		
2	CH10084	Screw	1		
3	CH10082	Spring	1		
4	MIU804763	Filter Element	1		
5	CH16888	Spring	1		
6	MIU804762	O-Ring	1		
7	T111401	Float	1		
8	M802636	Oil Cup	1		
9	CH10106	Ring	1		





Biodiesel Conversion Kit  
Biodiesel Conversion Kit  
Biodiesel Conversion Kit  
Biodiesel Conversion Kit  
Biodiesel Conversion Kit  
Biodiesel Conversion Kit

PU31662 A.1

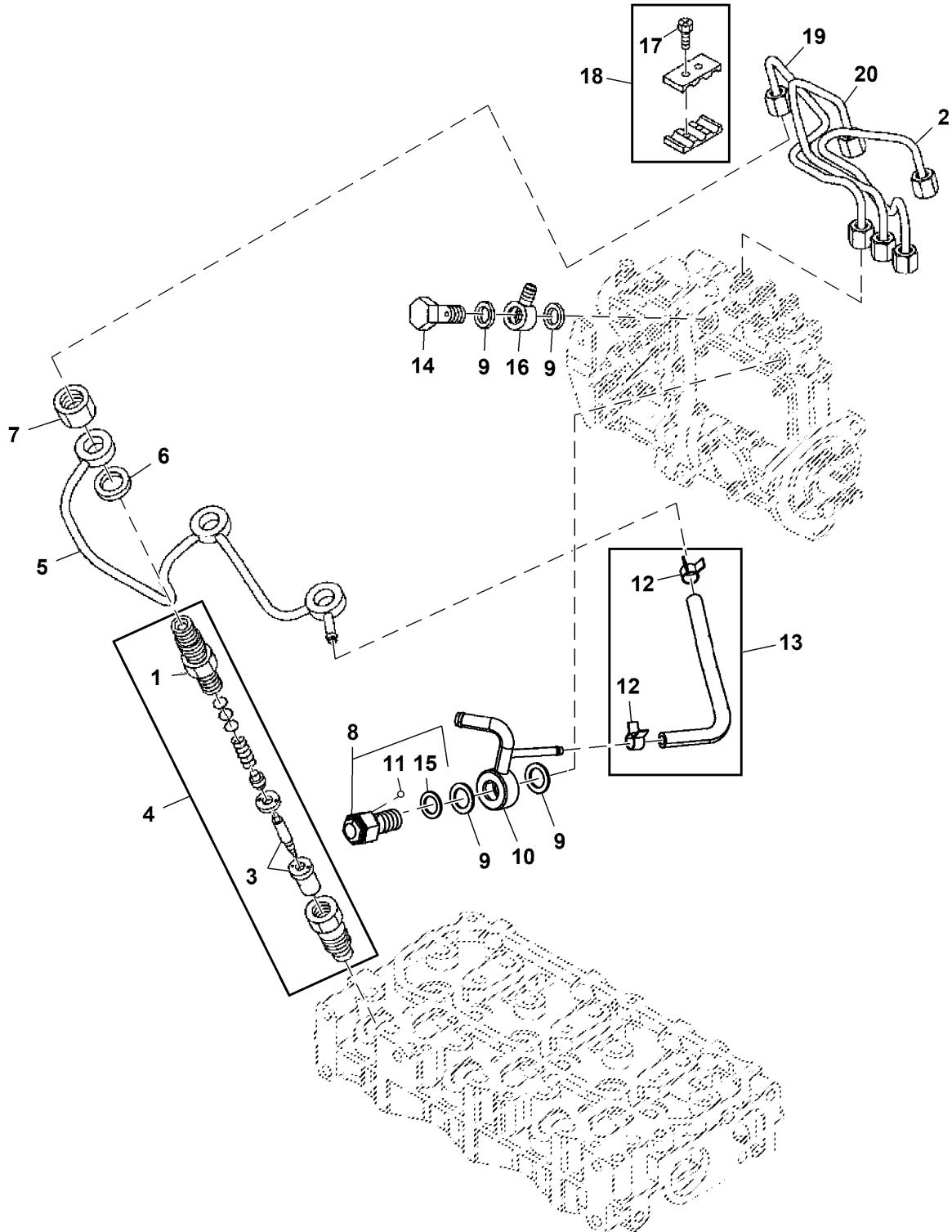


PU31662

Key	Part No.	Part Name	Qty.	Serial No.	Remarks
1	TCA19916	Kit	1		INCLUDES TCU27871 AND MIA881295; Biodiesel 3TNV70, 76 Engine
2	.....	Hose	1		MAKE FROM TCU27779; Fuel Separator to Transfer Pump
3	.....	Hose	1		MAKE FROM TCU27779; Transfer Pump to Fuel Filter
4	.....	Hose	1		MAKE FROM TCU27779; Fuel Filter to Injector Pump
5	.....	Hose	1		MAKE FROM TCU27779; Injector Pump to Filter Air Bleed
6	.....	Hose	1		MAKE FROM TCU27779; Filter Air Bleed to Fuel Tank
7	19M7803	Screw	1		M8 X 70, Water
8	24M7055	Washer	2		8.400 X 16 X 1.600 mm
9	E64256	Lock Nut	3		
10	R56101	Clip	2		
11	MIA883231	Separator	1		SUB FOR T110808, Water Separator
12	MIU801295	Packing	2		Fuel Filter and Water Separator
13	M141153	Bracket	1		Oil Line Clamping
14	19M7866	Screw	1		M8 X 20
15	R35668	Clamp	AR		
16	AH78237	Clamp	AR		
17	H77698	Tie Band	AR		
18	.....	Hose	1		MAKE FROM TCU27779; Fuel Tank to Fuel Separator
19	TCU27871	Label	1		
20	T177753	Strap	1		
21	TCU22341	Spacer	1		
22	19M7809	Screw	1		M10 X 70
23	14M7465	Lock Nut	1		M10
..	MIA881295	Hose Kit	1		Fuel Injector Return

Fuel Injection Nozzles and Line  
 Fuel Injection Nozzles and Line  
 Fuel Injection Nozzles and Line  
 Fuel Injection Nozzles and Line  
 Fuel Injection Nozzles and Line

PU38481 A.1

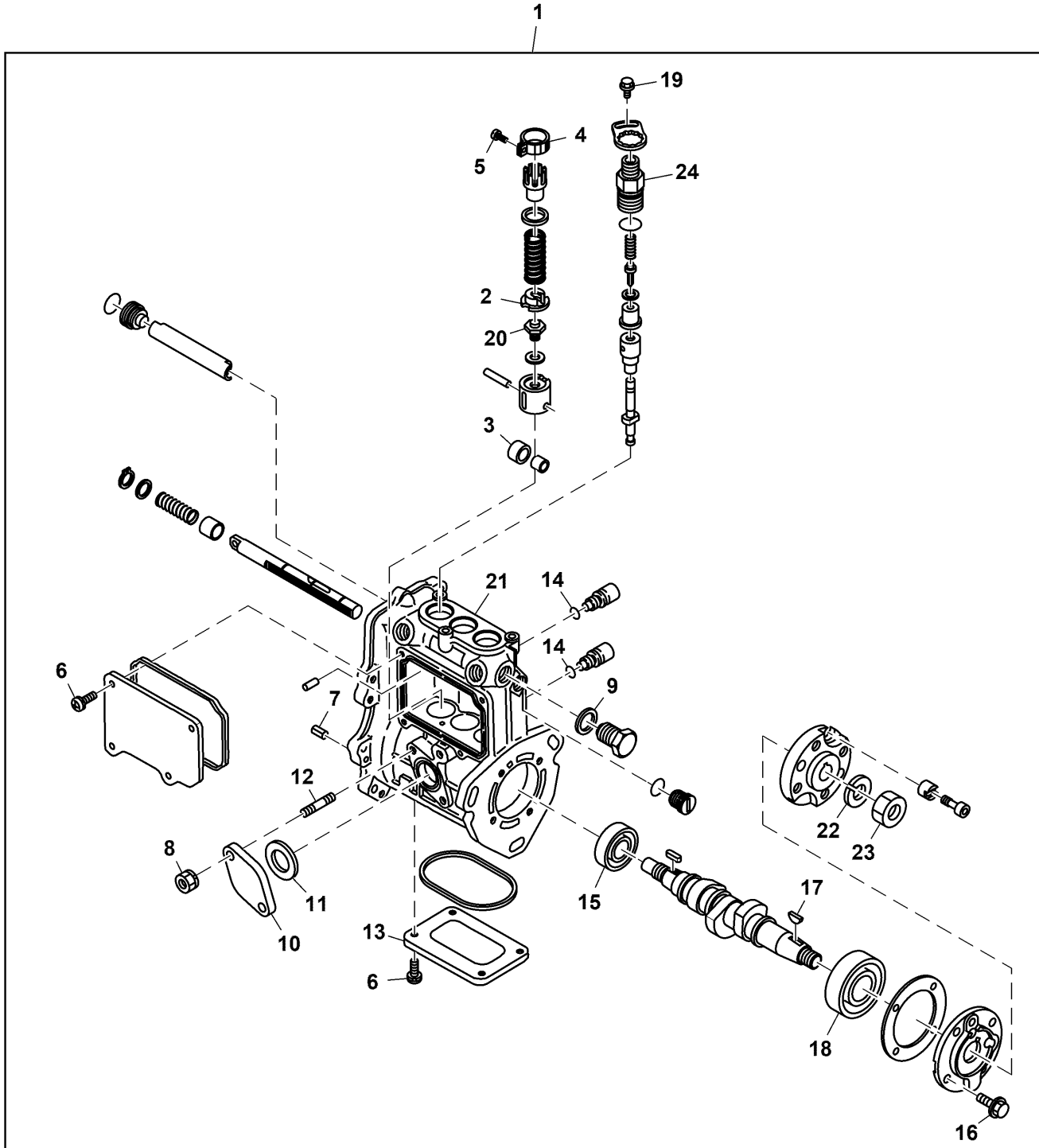


PU38481

Key	Part No.	Part Name	Qty.	Serial No.	Remarks
1	M811806	Nozzle Holder	3		
2	MIA883291	Fuel Line	1		Fuel Injector No.3
3	MIA882281	Nozzle	3		
4	MIA882280	Nozzle Kit	3		
5	MIA880293	Pipe	1		Fuel Return
6	M811968	Gasket	3		Fuel Return
7	M87908	Nut	3		
8	AM882245	Valve Kit	1		
9	M806438	Washer	4		
10	T114158	Fitting	1		Fuel Return
11	400R	Ball	1		
12	CH10323	Retainer	2		
13	MIU800453	Pipe Kit	1		Fuel Return
14	M801108	Bolt	1		
15	T110750	Seal	1		
16	CH17960	Fitting	1		
17	M806745	Bolt	2		
18	AM100752	Clamp Kit	1		Fuel Injection
19	MIA883289	Fuel Line	1		Fuel Injector No.1
20	MIA883290	Fuel Line	1		Fuel Injector No.2

Fuel Injection Pump (1/2)  
 Fuel Injection Pump (1/2)  
 Fuel Injection Pump (1/2)  
 Fuel Injection Pump (1/2)  
 Fuel Injection Pump (1/2)  
 Fuel Injection Pump (1/2)

PU38480 A.1

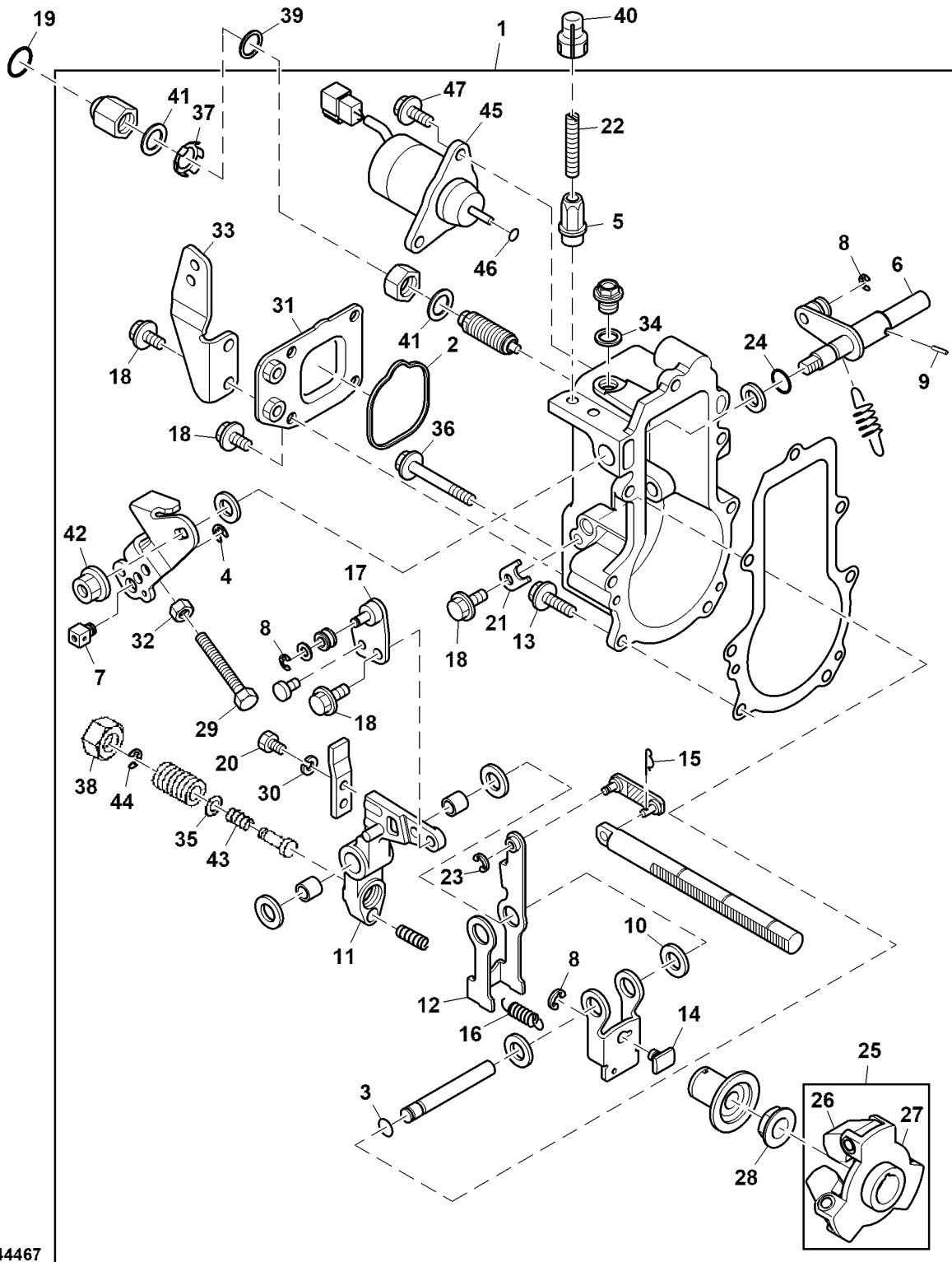


PU38480

Key	Part No.	Part Name	Qty.	Serial No.	Remarks
1	MIA883294	Fuel Injection Pump	1		
2	MIU800619	Retainer	3		
3	M811906	Roller	3		
4	M810064	Pinion	3		
5	M810065	Screw	3		
6	T110452	Screw With Washer	8		
7	34M7117	Spring Pin	2		5 X 10 mm
8	MIU801500	Nut	2		
9	M811568	Washer	1		
10	M801315	Cover	1		
11	M811963	Gasket	1		Fuel Feed Pump
12	CH15396	Stud	2		
13	M809670	Cover	1		Housing
14	M89151	O-Ring	4		
15	CH14811	Ball Bearing	1		
16	MIU802525	Bolt	4		
17	M87843	Shaft Key	1		
18	M800495	Ball Bearing	1		
19	M807193	Bolt	3		
20	M811907	Bolt	3		
21	M811896	Housing	1		Fuel Oil Pump
22	CH11477	Washer	1		
23	14M7275	Nut	1		M12
24	MIU800364	Check Valve	3		Stopper

Fuel Injection Pump (2/2)  
 Fuel Injection Pump (2/2)  
 Fuel Injection Pump (2/2)  
 Fuel Injection Pump (2/2)  
 Fuel Injection Pump (2/2)  
 Fuel Injection Pump (2/2)

PU44467 A.1



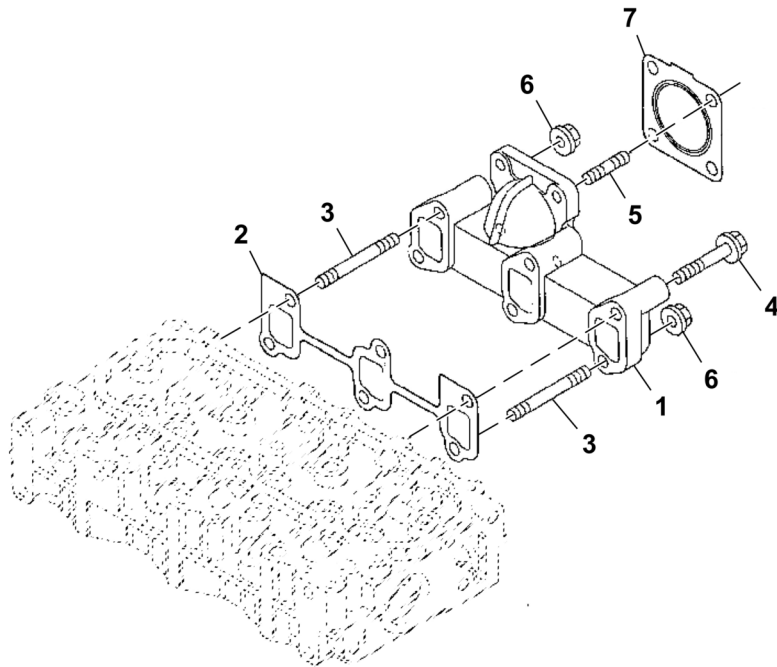
PU44467



Key	Part No.	Part Name	Qty.	Serial No.	Remarks
1	MIA883294	Fuel Injection Pump	1		
2	M811926	Gasket	1		Cover
3	M89151	O-Ring	1		
4	CH11490	Ring	1		
5	M810594	Nut	1		
6	M811932	Shaft	1		Control Lever
7	M800052	Clamp	1		Wire
8	CH13497	Snap Ring	3		
9	CH10537	Pin	1		
10	M89159	Spacer	1		Governor
11	M811934	Lever	1		Tension
12	M811935	Lever	1		Governor
13	19M7862	Screw	4		M6 X 20
14	MIU801501	Shifter	1		
15	M89162	Pin	1		
16	M810006	Spring	1		
17	M811957	Hook	1		Tension Lever
18	19M7300	Cap Screw	6		M6 X 10
19	MIU804787	O-Ring	1		
20	T114124	Bolt	2		
21	M89161	Retainer	1		Shaft
22	M801335	Stud	1		
23	M807207	Snap Ring	1		
24	MIU804804	O-Ring	1		
25	MIA881493	Weight	1		
26	MIU801493	Weight	3		Governor
27	M811931	Support	1		Weight
28	MIU800815	Nut	1		
29	M801336	Bolt	1		
30	12M7064	Lock Washer	1		5 mm
31	M811956	Cover	1		Governor Case
32	MIU804501	Nut	1		
33	M811953	Support	1		Wire
34	T110750	Seal	1		
35	AT110817	Shim	2		
36	M87878	Bolt	3		
37	M810061	Plate	1		
38	T111874	Nut	1		
39	CH19994	Gasket	1		
40	MIU800110	Cap	1		High Idle Tamper Proof
41	M806438	Washer	2		SUB FOR M811567
42	14M7298	Flange Nut	1		M8
43	M811961	Spring	1		
44	MIU800326	Retainer	1		
45	UC14935	Solenoid	1		ORDER UC34847 ,USE WITH AUC18147
	MIU805200	Solenoid	1		USE WITH AUC14126
	UC34847	Solenoid	1		
46	RG60092	Ring	1		
47	CH19140	Bolt	2		

Exhaust Manifold  
 Exhaust Manifold  
 Exhaust Manifold  
 Exhaust Manifold  
 Exhaust Manifold  
 Exhaust Manifold

PU30512 A.1



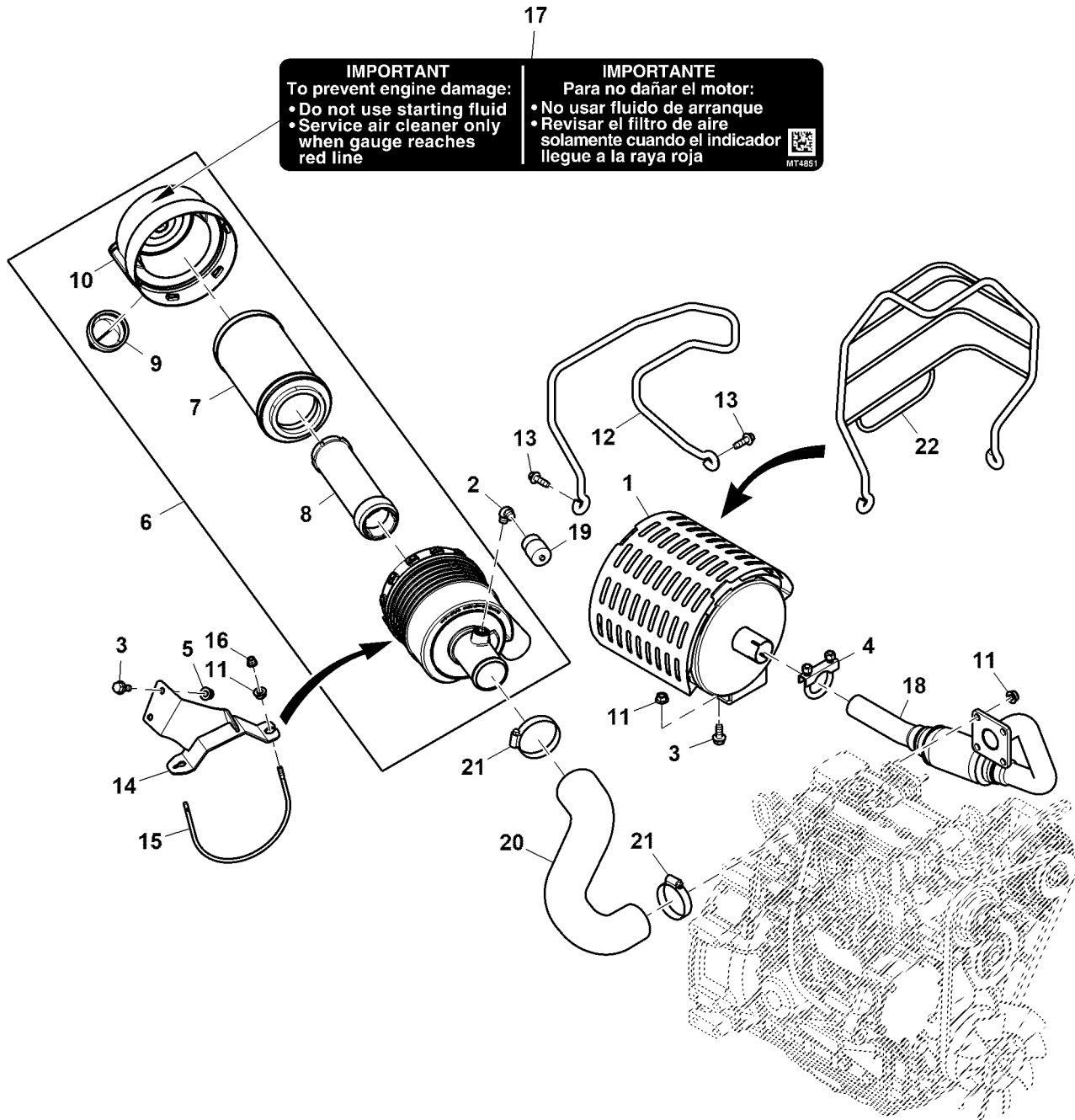
**PU30512**

Key	Part No.	Part Name	Qty.	Serial No.	Remarks
1	MIU800255	Exhaust Manifold	1		
2	M811857	Gasket	1		Manifold
3	M811318	Stud	2		
4	MIU802947	Bolt	4		
5	M808645	Stud	4		
6	14M7298	Flange Nut	2		M8
7	M811809	Gasket	1		Muffler



Air Cleaner and Muffler  
 Air Cleaner and Muffler  
 Air Cleaner and Muffler  
 Air Cleaner and Muffler  
 Air Cleaner and Muffler  
 Air Cleaner and Muffler

PU39432 A.1

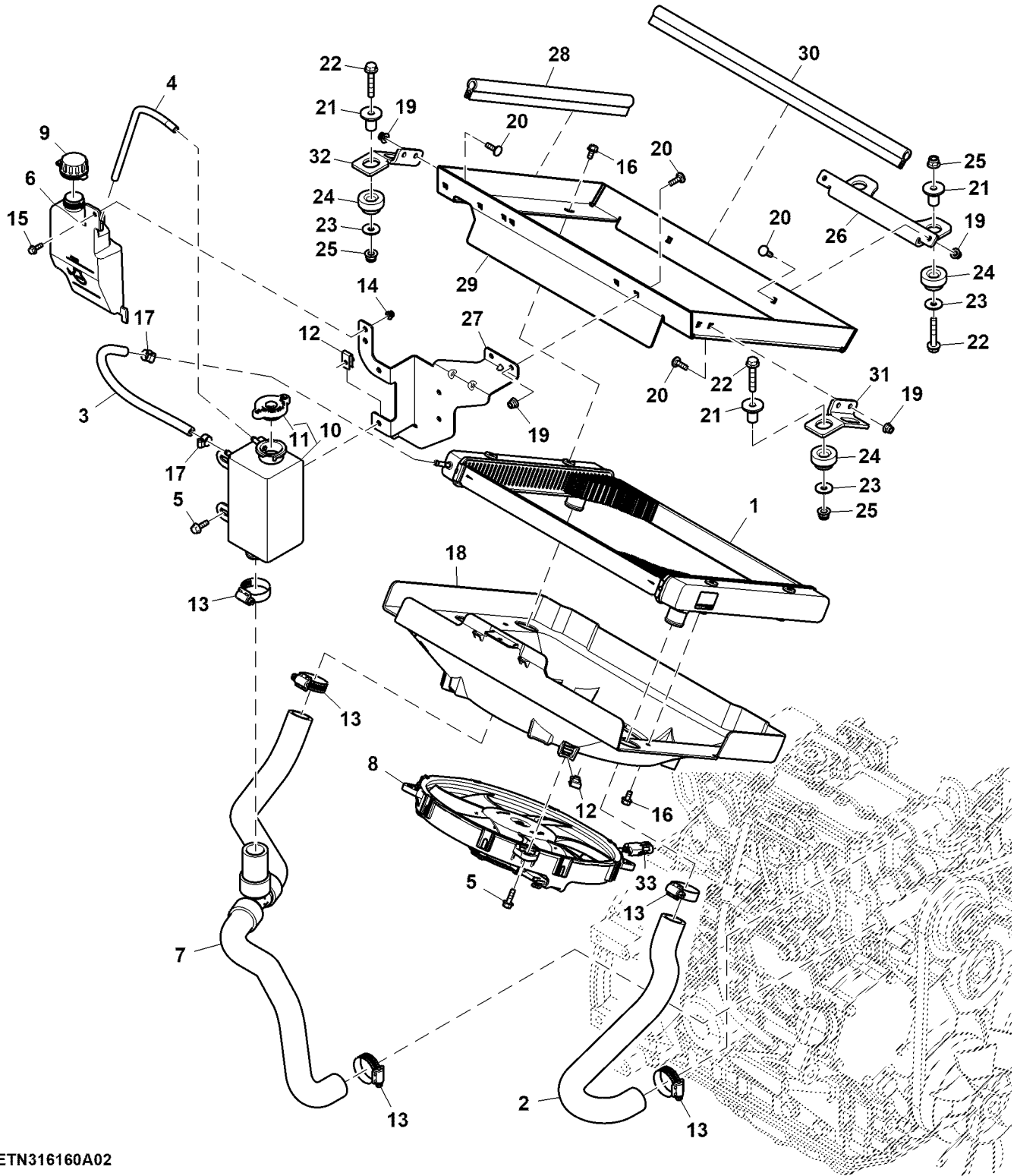


PU39432

Key	Part No.	Part Name	Qty.	Serial No.	Remarks
1	AUC10992	Muffler	1		
2	R217664	Elbow Fitting	1		
3	19M7866	Screw	4		M8 X 20
4	AM31268	Clamp	1		
5	14M7396	Lock Nut	2		M8
6	AUC12737	Air Cleaner	1		
7	LVU34503	Filter Element	1		Primary
8	LVU34504	Filter Element	1		Secondary
9	AM108172	Drain Valve	1		
10	LVU34797	Cover	1		
11	14M7298	Flange Nut	7		M8
12	UC16758	Guard	1		
13	37M7461	Screw	2		M8 X 25
14	AUC15777	Bracket	1		Air Cleaner Mounting
15	LVU34473	Support	1		Air Filter
16	14M7397	Lock Nut	1		M6
17	MT4851	Label	1		Air Cleaner, English / Spanish
18	AUC10994	Exhaust Pipe	1		
19	AT25983	Air Restriction Indicator	1		
20	UC15232	Hose	1		Air Cleaner to Engine
21	TY22470	Hose Clamp	2		
22	UC19178	Guard	1		Not for Canada and USA

Radiator and Mounting Parts  
 Radiator and Mounting Parts  
 Radiator and Mounting Parts  
 Radiator and Mounting Parts  
 Radiator and Mounting Parts

ETN316160A02 A.1



ETN316160A02

Key	Part No.	Part Name	Qty.	Serial No.	Remarks
1	AUC10953	Radiator	1		
2	UC11948	Radiator Hose	1		Inlet
3	.....	Hose	1		CTL 316 mm , MF UC24981; SUB FOR M175325, Surge Tank to Radiator
4	.....	Hose	1		CTL 250 mm , MF PMK2812-0406, Overflow Hose
5	19M7862	Screw	6		M6 X 20
6	M148645	Reservoir	1		Coolant
7	AUC11468	Radiator Hose	1		Outlet
8	AM138384	Fan	1		Suction
9	M177549	Cap	1		
10	AUC12625	Radiator Reservoir	1		Surge Tank
11	M802715	Filler Cap	1		
12	M84972	Nut	6		
13	AR21839	Hose Clamp	5		
14	14M7568	Lock Nut	1		M5
15	19M9203	Screw	1		M5 X 16
16	19M7774	Screw	8		M6 X 12
17	TY22462	Hose Clamp	2		
18	UC12287	Shroud	1		
19	14M7397	Lock Nut	8		M6
20	03M7222	Bolt	8		M6 X 20
21	TCU34831	Bushing	4		
22	19M8318	Screw	4		M8 X 45
23	24M7298	Washer	4		8.400 X 25 X 2 mm
24	LVU16647	Grommet	4		
25	14M7396	Lock Nut	4		M8
26	UC12280	Bracket	1		Radiator Mount
27	UC12147	Bracket	1		Surge Tank Support
28	UC15284	Isolator	2		
29	UC37707	Shroud	1		SUB FOR UC12055
30	UC15283	Isolator	2		
31	UC16387	Bracket	1		LH
32	UC12281	Bracket	1		RH
33	AT263424	Electrical Connector Assy	1		
	R78061	Elec. Connector Terminal	2		Cavity A, B
	57M9218	Elec. Connector Seal	2		Cavity A, B

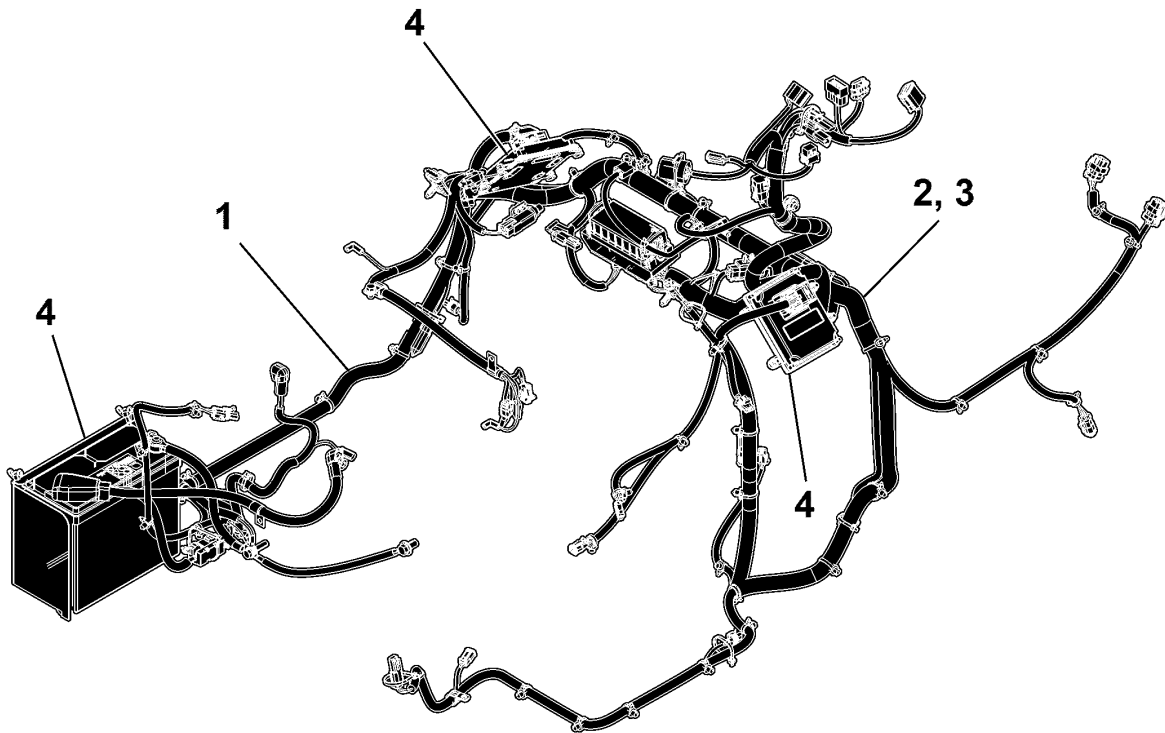




Sectional Pictorial Index  
Index d'illustrations par sections.  
Gruppenbildindex  
Indice illustrato delle sezioni  
Índice de ilustraciones por secciones  
Avsnittsbildregister

PU38441 A.1

1-	108
2-	110
3-	112
4-	114

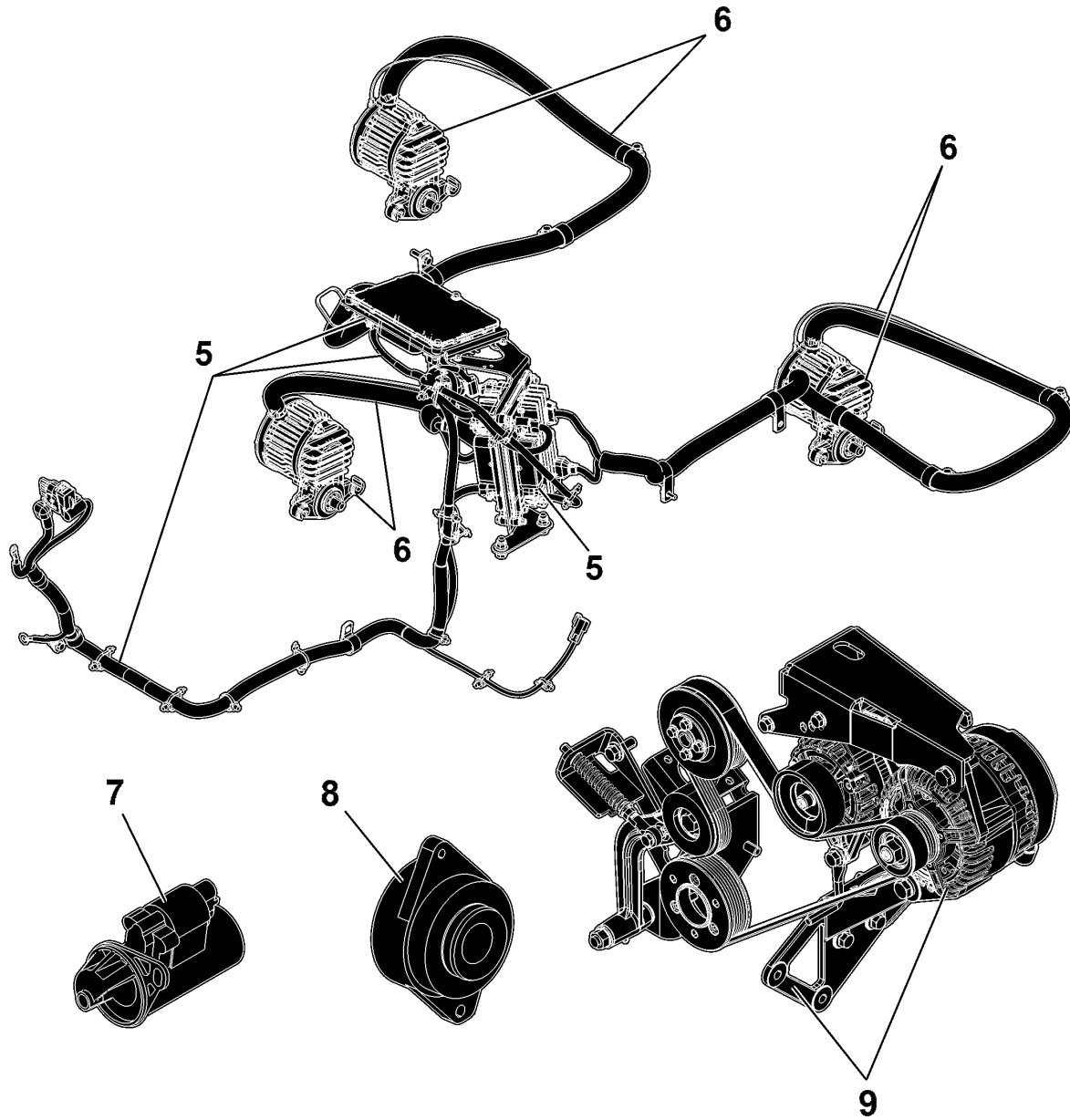


PU38441

Sectional Pictorial Index  
 Index d'illustrations par sections.  
 Gruppenbildindex  
 Indice illustrato delle sezioni  
 Índice de ilustraciones por secciones  
 Avsnittsbildregister

5-	116
6-	118
7-	120
8-	124
9-	122

PU38827 A.1

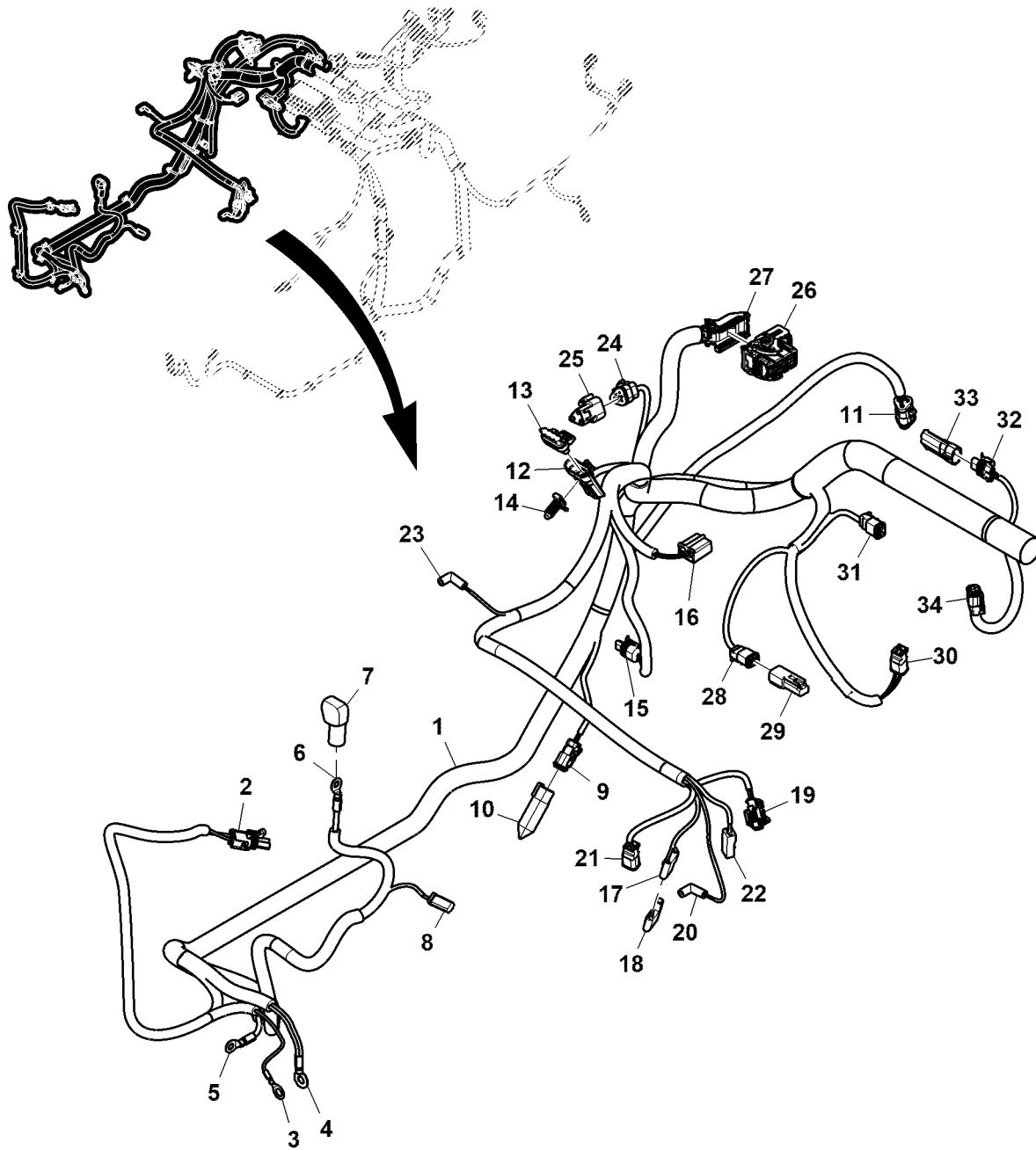


PU38827



Chassis Wiring Harness (1/3)  
Chassis Wiring Harness (1/3)  
Chassis Wiring Harness (1/3)  
Chassis Wiring Harness (1/3)  
Chassis Wiring Harness (1/3)  
Chassis Wiring Harness (1/3)

PU40714 A.1

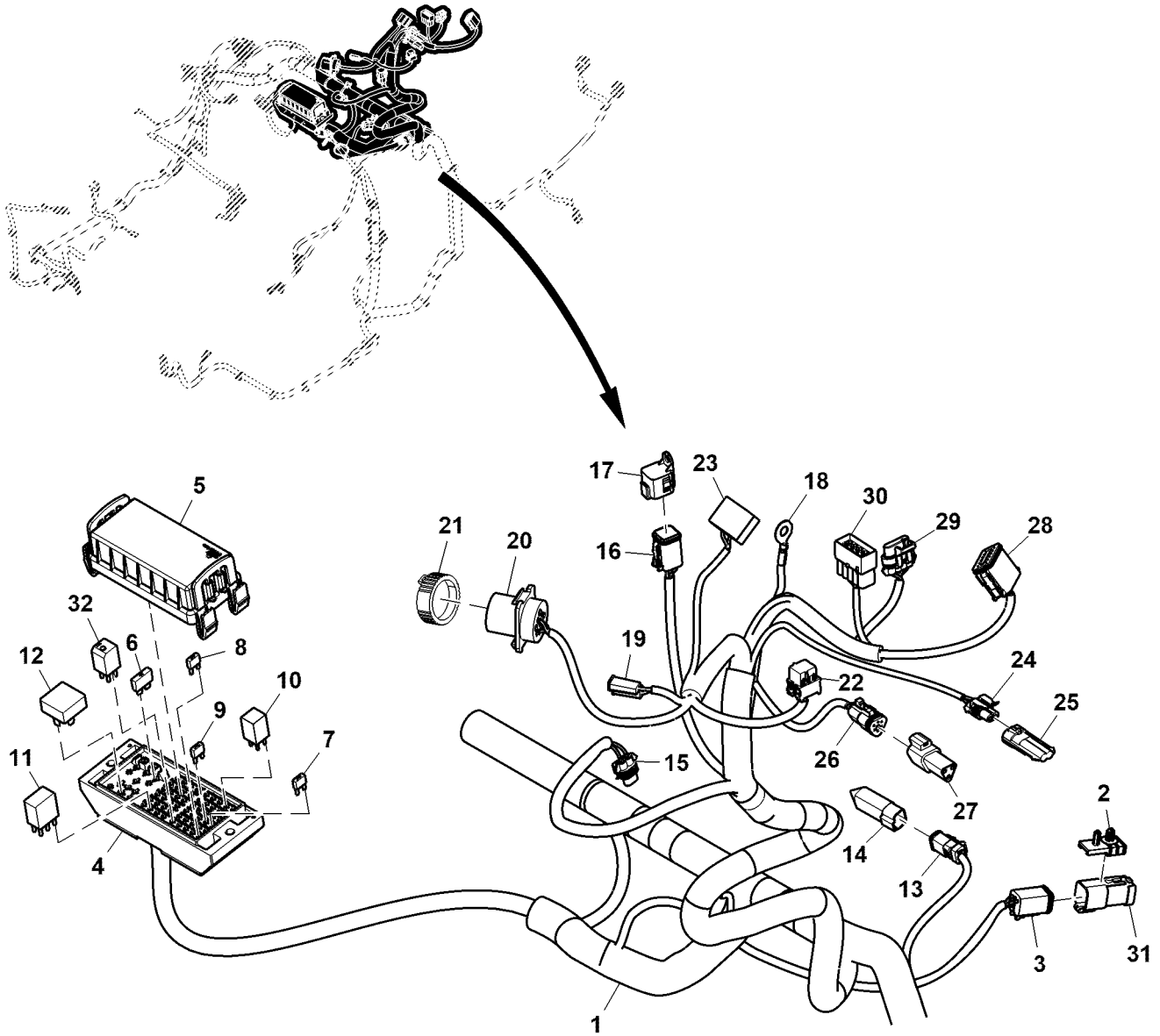


PU40714

Key	Part No.	Part Name	Qty.	Serial No.	Remarks
1	AUC12474	Wiring Harness	1		
	AUC17627	Wiring Harness	1		SUB FOR AUC12474
2	RE12363	Electrical Connector Assy	1		M3, Fan Motor
	R78060	Elec. Connector Terminal	2		Cavity A, B
	57M9218	Elec. Connector Seal	2		Cavity A, B
3	.....	Elec. Connector Terminal	1		T06, Fan Ground
4	57M10932	Elec. Connector Terminal	1		T09, Main Harness Ground
5	57M10933	Elec. Connector Terminal	1		T1, Vehicle Battery Fuse
6	57M10933	Elec. Connector Terminal	1		T2, Generator Positive
7	M135512	Boot	1		Starter Cable
8	M43835	Electrical Connector Assy	1		M1-A, Starter Solenoid
	U46662	Elec. Connector Terminal	1		Cavity 1
9	57M8639	Elec. Connector Housing	1		R6, Wheel Speed Pull Up Resistor
	R78065	Elec. Connector Terminal	2		Cavity 1, 2
	57M8022	Elec. Connect Locking Device	1		
10	AT368499	Resistor	1		
11	57M7756	Electrical Connector Assy	1		B6, Wheel Speed Sensor 1
	R78065	Elec. Connector Terminal	3		Cavity A, B, C
	57M7675	Electrical Connector Assy	1		
12	57M7839	Electrical Connector Assy	1		X01, Leak Detector Interconnect
	R104919	Elec. Connector Terminal	4		Cavity A, B, C, D
	57M9883	Elec. Connector Cable Seal	4		Cavity A, B, C, D
	57M7259	Elec. Connector Cavity Plug	4		
	57M7469	Electrical Connector Assy	1		
13	57M7840	Elec. Connector Housing	1		
14	57M11909	Elec. Connector Accessory	1		
15	57M7850	Elec. Connector Housing	1		B12, Hydraulic Oil Temperature Sensor
	57M7829	Elec. Connector Terminal	2		Cavity A, B
16	T24167	Electrical Connector Assy	1		S2, Hand Brake Switch
	T108012	Elec. Connector Terminal	2		Cavity B, D
17	.....	Electrical Connector Assy	1		V6, Fuel Solenoid Flyback Diode
18	AT103399	Diode	1		
19	57M9828	Elec. Connector Housing	1		B11, Engine Speed Sensor
	57M9831	Elec. Connector Terminal	2		Cavity 1, 2
20	AUC17205	Elec. Connector Terminal	1		B15, Engine Oil Pressure Switch
21	57M7534	Elec. Connector Housing	1		Y17, Engine Speed Proportional Solenoid
	R78065	Elec. Connector Terminal	2		Cavity 1, 2
	57M7620	Electrical Connector Assy	1		
22	57M10147	Elec. Connector Housing	1		R13, Glow Plugs
	57M10148	Elec. Connector Terminal	2		Cavity 1
23	AUC17205	Elec. Connector Terminal	1		B14, Engine Coolant Temperature Switch
24	57M8018	Electrical Connector Assy	1		R1, Controller Area Network Termination
	R78065	Elec. Connector Terminal	2		Cavity A, B
	R78069	Elec. Connector Cavity Plug	1		Cavity C
	57M8133	Elec. Connect Locking Device	1		
25	57M8131	Resistor	1		
26	57M10420	Elec. Connector Housing	1		A0, Vehicle Control Unit
	57M10330	Elec. Connector Terminal	30		Cavity A1, A2, A3, A4, B1, B3, C1, C2, C3, C4, D3, D4, E2, E3, E4, F2, F4, G2, G3, G4, H2, H3, H4, J1, J3, J4, K1, K2, K3, K4
	57M10331	Elec. Connector Terminal	1		Cavity L2
	57M10617	Elec. Connector Terminal	7		Cavity L1, L3, L4, M1, M2, M3, M4
	57M10333	Elec. Connector Cavity Plug	10		Cavity B2, B4, D1, D2, E1, F1, F3, G1, H1, J2
27	57M10613	Electrical Connector Cap	1		
28	57M7534	Elec. Connector Housing	1		Y6, Diverter Valve
	R78065	Elec. Connector Terminal	2		Cavity 1, 2
	57M7620	Electrical Connector Assy	1		
	R78069	Elec. Connector Cavity Plug	2		
29	57M7533	Elec. Connector Housing	1		
30	57M7534	Elec. Connector Housing	1		Y3, Lift / Lower Proportional Solenoid
	R78065	Elec. Connector Terminal	2		Cavity 1, 2
	57M7620	Electrical Connector Assy	1		
31	57M7534	Elec. Connector Housing	1		Y4, Lift / Lower Solenoid 2
	R78065	Elec. Connector Terminal	2		Cavity 1, 2
	57M7620	Electrical Connector Assy	1		
32	57M7328	Elec. Connector Housing	1		X05, Area Light Interconnect
	57M10770	Elec. Connector Terminal	2		Cavity A, B
	57M9883	Elec. Connector Cable Seal	2		Cavity A, B
	57M7259	Elec. Connector Cavity Plug	2		
	57M9712	Elec. Connector Accessory	1		
33	57M7985	Electrical Connector Assy	1		
34	57M7534	Elec. Connector Housing	1		Y5, Lift / Lower Solenoid 1
	R78065	Elec. Connector Terminal	2		Cavity 1, 2
	57M7620	Electrical Connector Assy	1		

Chassis Wiring Harness (2/3)  
Chassis Wiring Harness (2/3)  
Chassis Wiring Harness (2/3)  
Chassis Wiring Harness (2/3)  
Chassis Wiring Harness (2/3)  
Chassis Wiring Harness (2/3)

PU45958 A.1

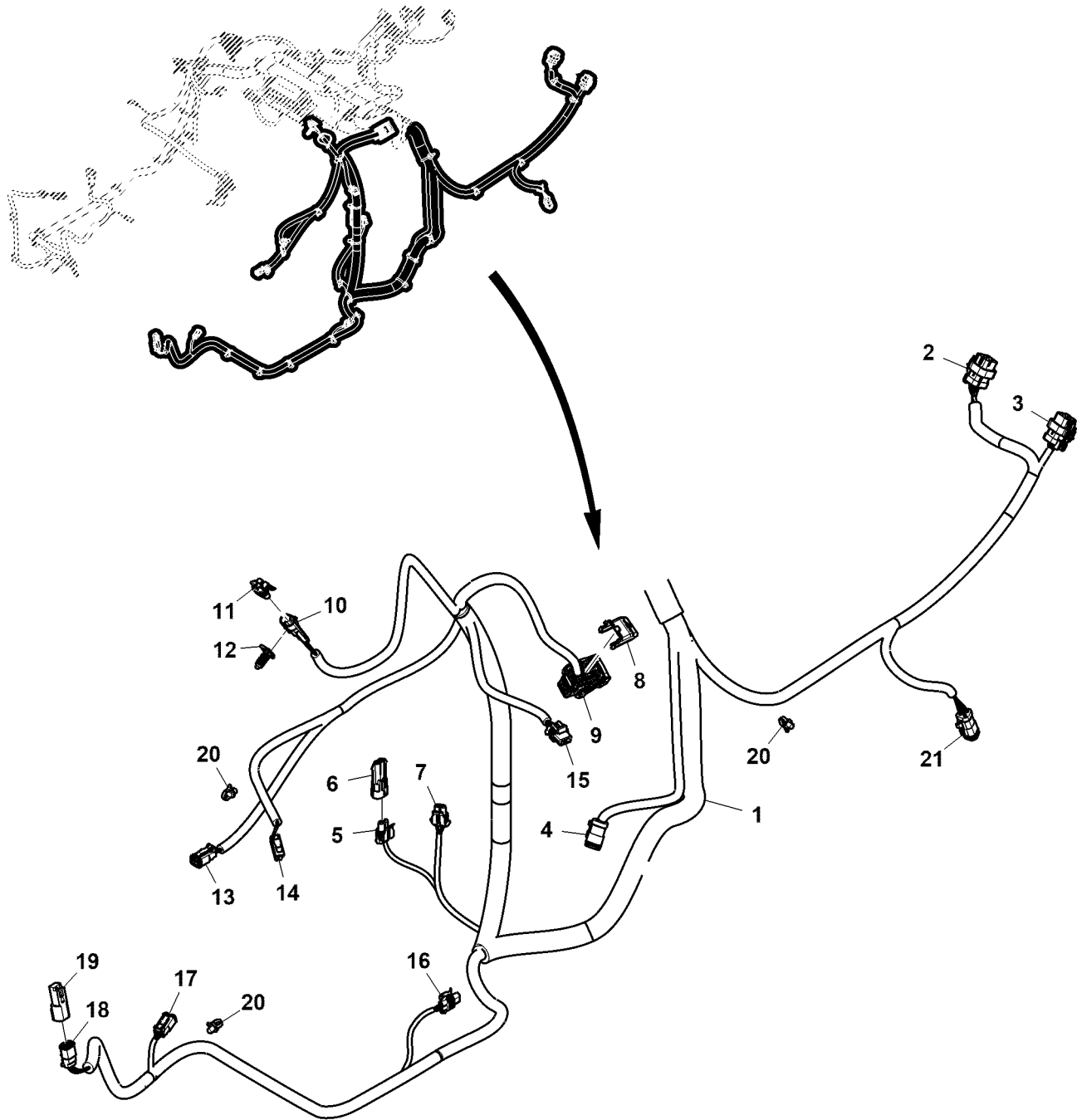


PU45958

Key	Part No.	Part Name	Qty.	Serial No.	Remarks
1	AUC12474	Wiring Harness	1		
	AUC17627	Wiring Harness	1		SUB FOR AUC12474
2	57M9717	Elec.Connect Locking Device	1		
3	57M8126	Electrical Connector Assy	1		X11, Hybrid Interconnect
	R78065	Elec. Connector Terminal	4		Cavity 1, 2, 3, 4
	R78069	Elec. Connector Cavity Plug	2		Cavity 5, 6
	57M8013	Elec.Connect Locking Device	1		
4	57M14432	Elec. Connector Housing	1		FB1, Load Center
	57M10285	Elec. Connector Terminal	6		Cavity 1, 12, 16, 24, 45, 46
	57M8584	Elec. Connector Terminal	11		Cavity 3, 10, 15, 18, 19, 22, 27, 30, 31, 35, 38
	57M8585	Elec. Connector Terminal	25		Cavity 4, 6, 7, 9, 13, 21, 25, 29, 33, 36, 37, 39, 40, 41, 42, 43, 44, 47, 48, 49, 50, 51, 52, 53, 54
	57M7399	Elec. Connector Seal	31		Cavity 1, 4, 6, 7, 9, 12, 13, 16, 21, 24, 25, 29, 33, 36, 37, 39, 40, 41, 42, 43, 44, 45, 46, 47, 48, 49, 50, 51, 52, 53, 54
	57M7400	Elec. Connector Seal	11		Cavity 3,10,15,18,19,22,27,30,31,35,38
	57M14450	Elec. Connector Cavity Plug	5		Cavity 79, 80, 81, 82, 88
	57M8734	Elec. Connector Cavity Plug	12		Cavity 2, 5, 8, 11, 14, 17, 20, 23, 26, 28, 32, 34
5	UC23048	Electrical Connector Cap	1		
6	57M7146	Fuse	1		30 A
7	57M7689	Fuse	3		10 A
8	57M7690	Fuse	2		15 A
9	57M7691	Fuse	1		20 A
10	SJ15808	Relay	1		12 V
11	SJ15809	Relay	5		12 V
12	UC14725	Relay Module	1		
13	57M8639	Elec. Connector Housing	1		R7, Wheel Speed Pull Up Resistor
	R78065	Elec. Connector Terminal	2		Cavity 1, 2
	57M8022	Elec.Connect Locking Device	1		
14	AT368499	Resistor	1		
15	57M7328	Elec. Connector Housing	1		X06, Seat Switch Interconnect
	57M10770	Elec. Connector Terminal	2		Cavity A, B
	57M9883	Elec. Connector Cable Seal	2		Cavity A, B
	57M9712	Elec. Connector Accessory	1		
16	57M8126	Electrical Connector Assy	1		C70, Controller Area Network Interconnector
	R78065	Elec. Connector Terminal	5		Cavity 1, 2, 3, 4, 6
	R78069	Elec. Connector Cavity Plug	1		Cavity 5
	57M8013	Elec.Connect Locking Device	1		
17	57M11287	Elec. Connector Accessory	1		
18	57M10965	Elec. Connector Terminal	1		W3, Command Arm Ground
19	57M8812	Elec. Connector Housing	1		Y16, Power Port
	57M9462	Elec. Connector Terminal	2		Cavity A, B
20	LVA15613	Electrical Connector Assy	1		C60, Diagnostic Connector
	N282069	Elec. Connector Terminal	4		Cavity A, B, C, D
	R78069	Elec. Connector Cavity Plug	5		Cavity E, F, G, H, J
21	57M9358	Elec. Connector Accessory	1		
22	R104922	Electrical Connector Assy	1		S1, Ignition Switch
	57M8296	Elec. Connector Terminal	2		Cavity B, F
	57M9203	Elec. Connector Terminal	2		Cavity D, E
23	57M9361	Elec. Connector Housing	1		S10, Work Light Switch
	57M9462	Elec. Connector Terminal	1		Cavity C
	T108012	Elec. Connector Terminal	1		Cavity D
24	57M7328	Elec. Connector Housing	1		X02, Leak Detector Interconnect Alarm
	57M10770	Elec. Connector Terminal	2		Cavity A, B
	57M9883	Elec. Connector Cable Seal	2		Cavity A, B
	57M7259	Elec. Connector Cavity Plug	2		
	57M9712	Elec. Connector Accessory	1		
25	57M7985	Electrical Connector Assy	1		
26	57M8018	Electrical Connector Assy	1		R2, Controller Area Network Termination
	R78065	Elec. Connector Terminal	2		Cavity A, B
	R78069	Elec. Connector Cavity Plug	1		Cavity C
	57M8133	Elec.Connect Locking Device	1		
27	57M8131	Electronic Terminator	1		
28	57M7634	Electrical Connector Assy	1		C50, Grayhill Display
	R78065	Elec. Connector Terminal	4		Cavity 1, 2, 11, 12
	R78069	Elec. Connector Cavity Plug	8		Cavity 3, 4, 5, 6, 7, 8, 9, 10
	57M7681	Elec. Connector Terminal	1		
29	57M7840	Elec. Connector Housing	1		S11, Raise-Lower Switch
	57M10770	Elec. Connector Terminal	4		Cavity A, B, C, D
	57M9883	Elec. Connector Cable Seal	4		Cavity A, B, C, D
	57M7469	Electrical Connector Assy	1		
30	57M8579	Elec. Connector Housing	1		S5, Mower / Transport Switch
	57M9532	Elec. Connector Terminal	2		Cavity 2, 3
	57M7400	Elec. Connector Seal	2		Cavity 2, 3
	57M7401	Elec. Connector Terminal	8		Cavity 1, 4, 5, 6, 7, 8, 9, 10
31	57M8578	Elec. Connector Housing	1		X22, Hybrid Controller Area Network Interconnect
	R78066	Elec. Connector Terminal	2		Cavity 1, 2
	R78069	Elec. Connector Cavity Plug	4		Cavity 3, 4, 5, 6
	57M7678	Elec. Connector Terminal	1		
32	AT318410	Relay	1		12 V, USE WITH AUC17627

Chassis Wiring Harness (3/3)  
Chassis Wiring Harness (3/3)  
Chassis Wiring Harness (3/3)  
Chassis Wiring Harness (3/3)  
Chassis Wiring Harness (3/3)  
Chassis Wiring Harness (3/3)

PU39384 A.1



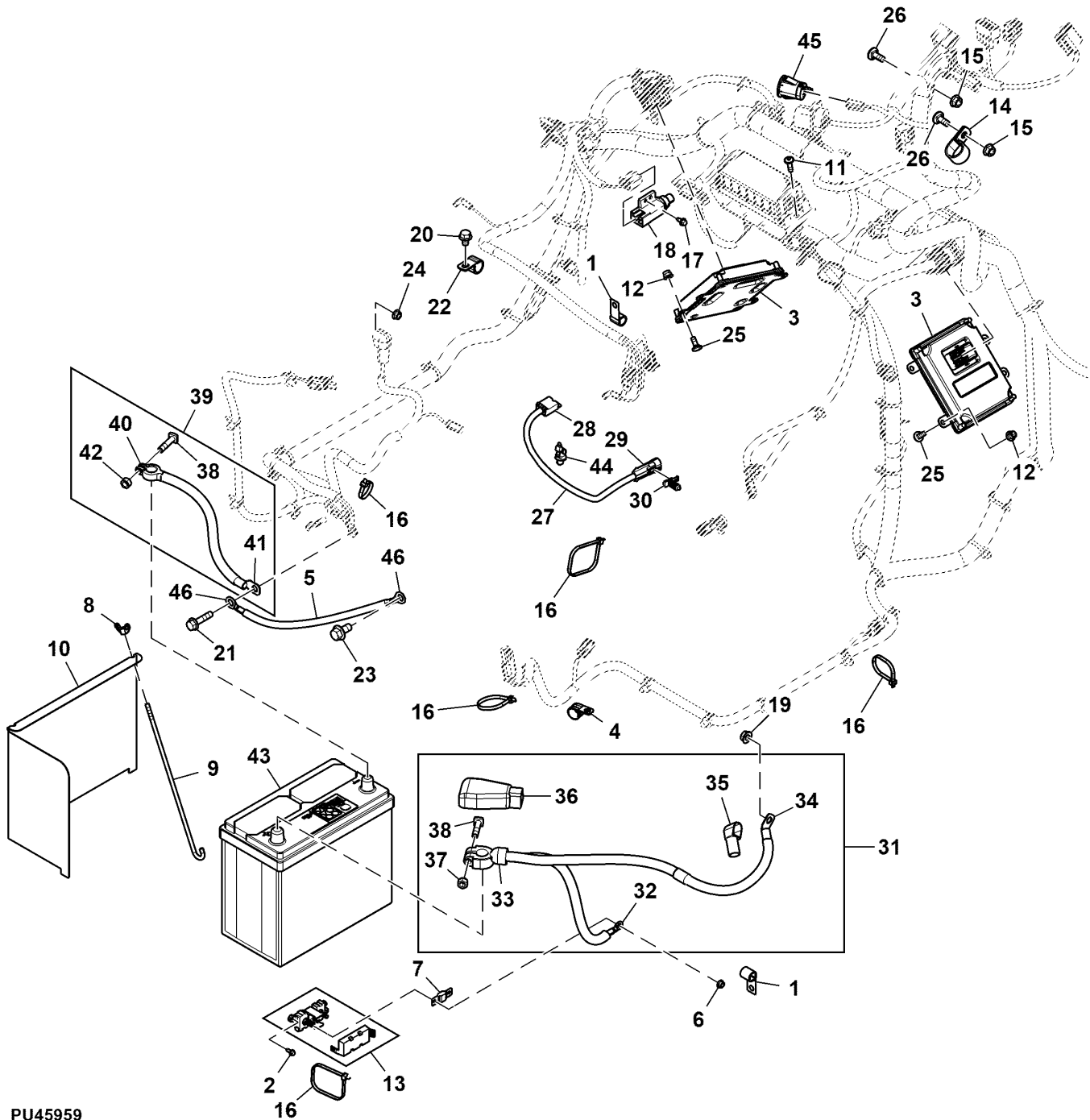
PU39384



Key	Part No.	Part Name	Qty.	Serial No.	Remarks
1	AUC12474	Wiring Harness	1		
	AUC17627	Wiring Harness	1		SUB FOR AUC12474
2	57M9786	Elec. Connector Housing	1		B1, Forward Pedal Sensor
	R78065	Elec. Connector Terminal	6		Cavity 1-6
3	57M9786	Elec. Connector Housing	1		B2, Reverse Pedal Sensor
	R78065	Elec. Connector Terminal	6		Cavity 1-6
4	57M7756	Electrical Connector Assy	1		X09, Reel Speed Interconnect
	R78065	Elec. Connector Terminal	3		Cavity A, B, C
	57M7675	Electrical Connector Assy	1		
5	57M7254	Elec. Connector Housing	1		Y9, Proportional Mower Solenoid
	57M10770	Elec. Connector Terminal	2		Cavity A, B
	57M9883	Elec. Connector Cable Seal	2		Cavity A, B
	57M9712	Elec. Connector Accessory	1		
	57M7259	Elec. Connector Cavity Plug	2		
6	57M7256	Elec. Connector Housing	1		
7	57M7254	Elec. Connector Housing	1		Y2, Mower / Backlap Solenoid
	57M10770	Elec. Connector Terminal	2		Cavity A, B
	57M9883	Elec. Connector Cable Seal	2		Cavity A, B
	57M9712	Elec. Connector Accessory	1		
8	57M10613	Electrical Connector Cap	1		
9	57M10220	Elec. Connector Housing	1		A11, Machine Control Unit
	57M10330	Elec. Connector Terminal	19		Cavity A1, A3, A4, B1, B2, C3, C4, D1, D3, E3, E4, F1, F3, F4, H2, H3, J2, K2, K4
	57M10331	Elec. Connector Terminal	1		Cavity L2
	57M10617	Elec. Connector Terminal	3		Cavity L1, M1, M2
	57M10333	Elec. Connector Cavity Plug	21		Cavity A2, B3, B4, C1, C2, D2, D4, E1, E2, F2, G1, G2, G3, G4, H1, H4, J1, J3, J4, K1, K3
	57M10334	Elec. Connector Cavity Plug	4		Cavity L3, L4, M3, M4
10	57M7985	Electrical Connector Assy	1		X03, Work Light Kit Interconnect, RH
	R104919	Elec. Connector Terminal	2		Cavity A, B
	57M9883	Elec. Connector Cable Seal	2		Cavity A, B
	57M7259	Elec. Connector Cavity Plug	2		
	57M9712	Elec. Connector Accessory	1		
11	57M7328	Elec. Connector Housing	1		
12	57M11909	Elec. Connector Accessory	1		
13	57M7534	Elec. Connector Housing	1		Y7, Reverse E-Hydro Solenoid
	R78065	Elec. Connector Terminal	2		Cavity 1, 2
	57M7620	Electrical Connector Assy	1		
14	57M10146	Elec. Connector Housing	1		M2, Fuel Pump
	57M7835	Elec. Connector Terminal	2		Cavity 1, 2
15	57M7309	Elec. Connector Housing	1		B3, Fuel Level Sensor
	57M7297	Elec. Connector Terminal	2		Cavity A, B
	57M9219	Elec. Connector Seal	2		Cavity A, B
	57M7306	Elec. Connect Locking Device	1		
16	57M7328	Elec. Connector Housing	1		B4, Hydraulic Filter Restriction Switch
	57M10770	Elec. Connector Terminal	2		Cavity A, B
	57M9883	Elec. Connector Cable Seal	2		Cavity A, B
	57M9712	Elec. Connector Accessory	1		
17	57M7534	Elec. Connector Housing	1		Y8, Forward E-Hydro Solenoid
	R78065	Elec. Connector Terminal	2		Cavity 1, 2
	57M7620	Electrical Connector Assy	1		
18	57M7534	Elec. Connector Housing	1		X07, 3WD Kit Interconnect
	R78065	Elec. Connector Terminal	2		Cavity 1, 2
	57M7620	Electrical Connector Assy	1		
	R78069	Elec. Connector Cavity Plug	2		
19	57M7533	Elec. Connector Housing	1		
20	TCU29933	Clip	44		
21	57M7756	Electrical Connector Assy	1		B7, Wheel Speed Sensor 2
	R78065	Elec. Connector Terminal	3		Cavity A, B, C
	57M7675	Electrical Connector Assy	1		

Wiring Harness Mounting Parts, Battery and Cables  
 Wiring Harness Mounting Parts, Battery and Cables  
 Wiring Harness Mounting Parts, Battery and Cables  
 Wiring Harness Mounting Parts, Battery and Cables  
 Wiring Harness Mounting Parts, Battery and Cables

PU45959 A.1

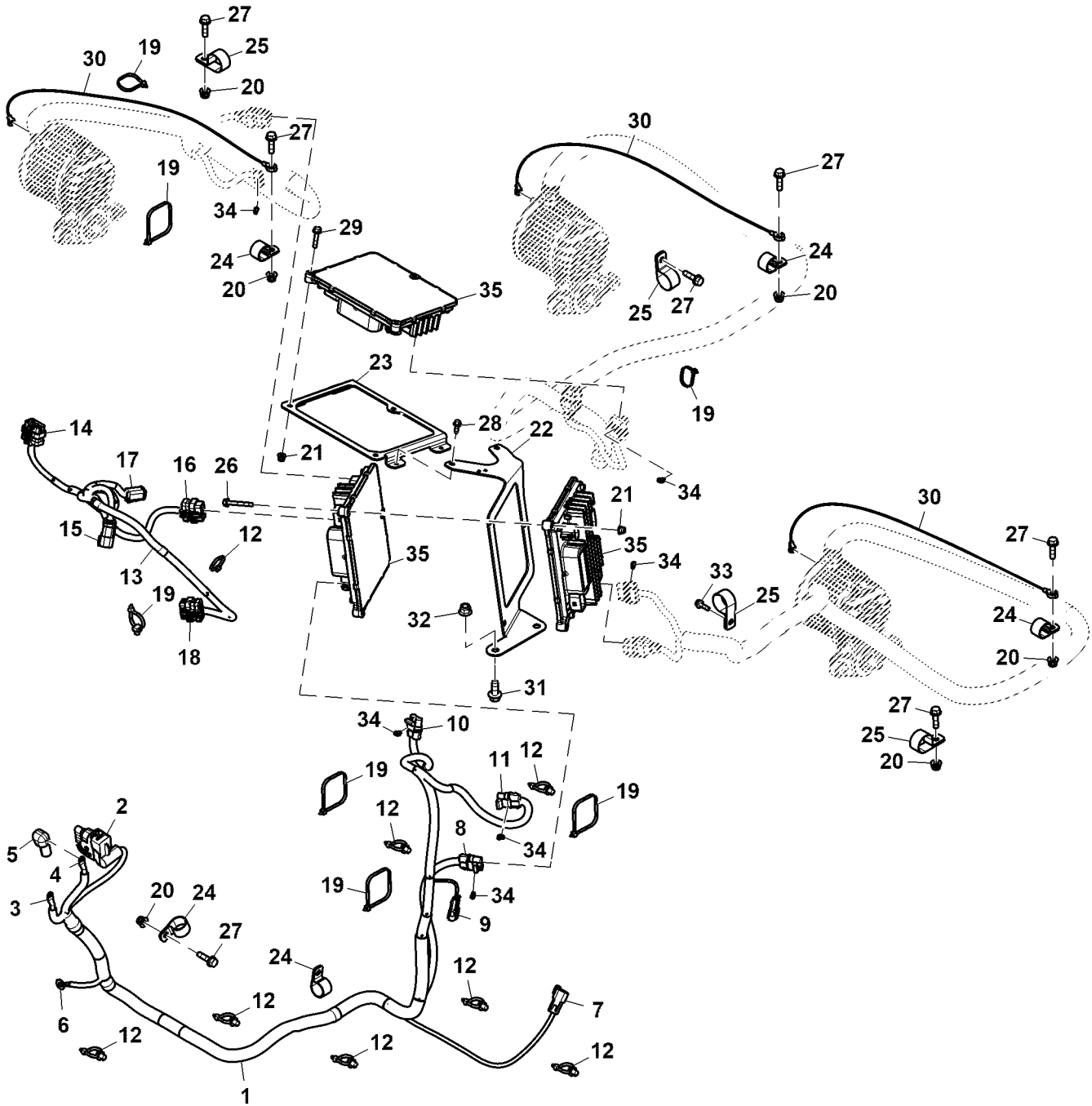


PU45959

Key	Part No.	Part Name	Qty.	Serial No.	Remarks
1	TCU19134	Half Clamp	2		
2	37M7465	Screw	2		M4 X 10
3	TCA21539	Vehicle Controller	2		
4	M167119	Clamp	1		
5	UC14875	Ground Cable	1		
6	14M7375	Flange Nut	2		M5
7	57M11851	Elec. Connector Accessory	1		
8	A49787	Wing Nut	2		
9	M120206	Hook Bolt	2		
10	UC16764	Bracket	1		Battery Clamp and Cover
11	19M8649	Screw	2		M6 X 20
12	14M7397	Lock Nut	8		M6
13	57M11850	Elec. Connector Accessory	1		Fuse Holder
14	T27550	Clip	1		
15	14M7298	Flange Nut	2		M8
16	H77698	Tie Band	11		
17	37M7466	Screw	2		M5 X 10
18	LVA13307	Switch	1		
19	E63525	Nut	1		
20	19M7864	Screw	1		M8 X 12
21	19M7897	Screw	1		M8 X 35
22	AH77724	Clip	1		
23	19M7784	Screw	1		M10 X 20
24	14M7303	Flange Nut	1		M6
25	03M7221	Bolt	8		M6 X 16
26	03M7184	Bolt	2		M8 X 20
27	AUC11022	Wiring Harness	1		INCLUDES TCU29933, Jumper, Standard Seat
28	57M7974	Electrical Connector Assy	1		S3, Seat Switch
	57M8810	Elec. Connector Terminal	2		Cavity A, B
29	57M7985	Electrical Connector Assy	1		X6, Seat Switch Interconnect
	57M7252	Elec. Connector Terminal	2		Cavity A, B
	57M9883	Elec. Connector Cable Seal	2		Cavity A, B
	57M9712	Elec. Connector Accessory	1		
30	57M11909	Elec. Connector Accessory	1		
31	AUC10519	Battery Cable	1		Positive
32	57M10933	Elec. Connector Terminal	1		T03, Vehicle Battery Fuse
33	.....	Elec. Connector Terminal	1		T01, Battery Positive
34	.....	Elec. Connector Terminal	1		M1-B, Starting Motor
35	M135512	Boot	1		
36	.....	Boot	1		
37	.....	Nut	1		
38	M81353	Bolt	2		
39	AUC10518	Ground Cable	1		Negative
40	.....	Elec. Connector Terminal	1		T04, Battery Negative
41	.....	Elec. Connector Terminal	1		T05, Starter Ground
42	14H785	Nut	1		5/16"
43	TY25876	Dry Charged Battery	1		12 V, ORDER TY25876B OR MCYP25876
	TY25876B	Wet Charged Battery	1		12 V, For Canada and USA
	MCYP25876	Wet Charged Battery	1		12 V, Not for Canada and USA
44	TCU29933	Clip	1		
45	M166830	Socket Outlet	1		12 V
46	57M11568	Elec. Connector Terminal	2		

Wiring Harness, Electric Motor Controller  
 Wiring Harness, Electric Motor Controller  
 Wiring Harness, Electric Motor Controller  
 Wiring Harness, Electric Motor Controller  
 Wiring Harness, Electric Motor Controller

PU40320 A.1

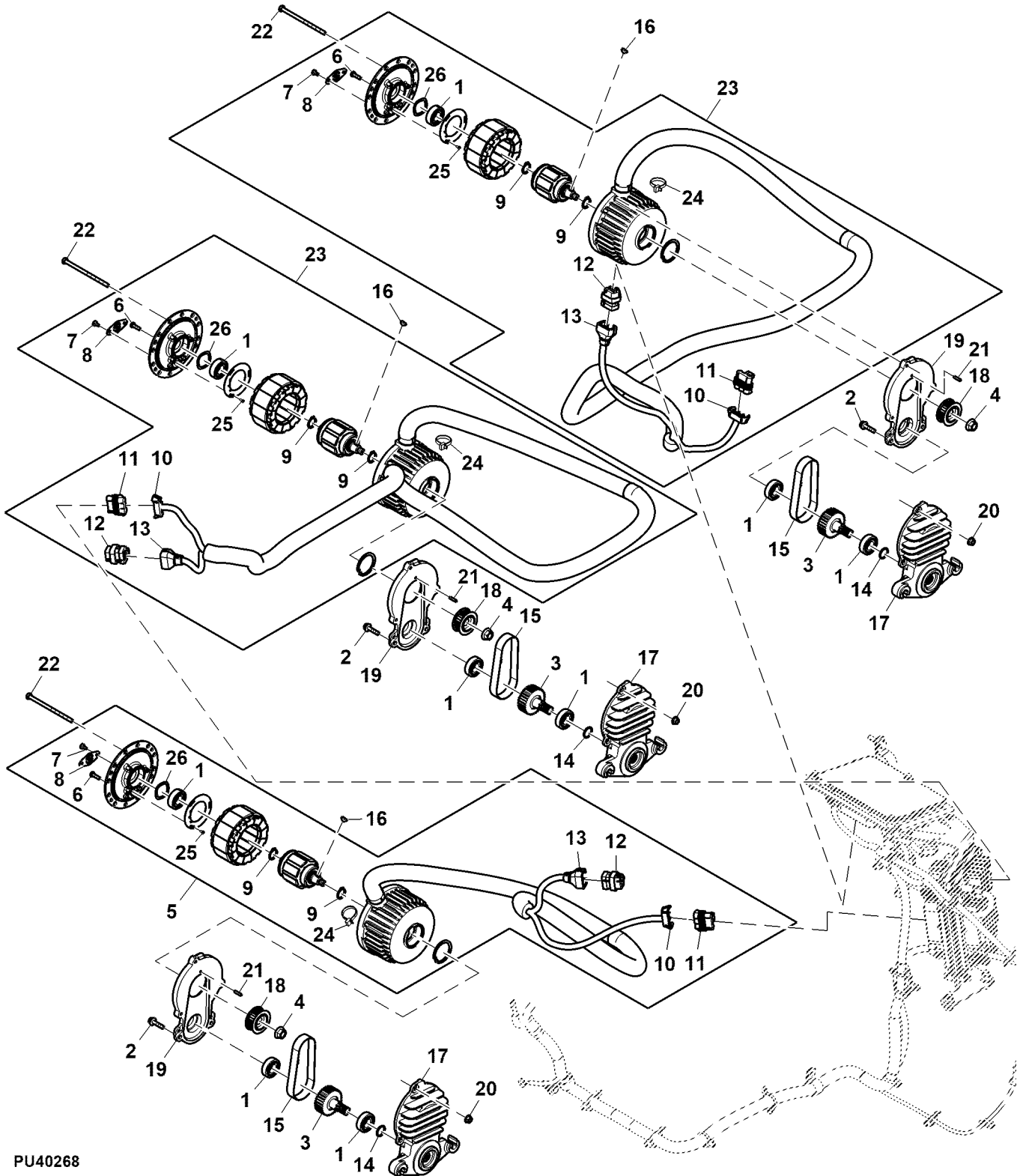


PU40320

Key	Part No.	Part Name	Qty.	Serial No.	Remarks
1	AUC10515	Wiring Harness	1		Power
2	.....	Elec. Connector Housing	1		N1, Voltage Regulator
	57M9721	Elec. Connector Terminal	2		Cavity 1, 2
	57M9883	Elec. Connector Seal	2		Cavity 1, 2
3	57M12416	Elec. Connector Terminal	1		56V, W4, Alternator Negative
4	57M12418	Elec. Connector Terminal	1		56V, G4, Alternator Positive
5	M135512	Boot	1		
6	57M10965	Elec. Connector Terminal	1		W5, Hybrid Power Ground
7	57M7626	Elec. Connector Housing	1		X50, Regulator Output
	R78066	Elec. Connector Terminal	1		Cavity B
	Z78008	Elec. Connector Cavity Plug	2		Cavity A, C
	57M7676	Elec. Connector Accessory	1		
8	57M9903	Elec. Connector Housing	1		A04-J4, Rear Controller 100
	57M9904	Elec. Connector Terminal	2		Cavity A, B
	57M8317	Elec. Connector Seal	2		Cavity A, B
	57M9907	Elec. Connector Accessory	1		
9	57M7256	Elec. Connector Housing	1		X60, Field Winding Activation
	R104919	Elec. Connector Terminal	1		Cavity B
	57M9883	Elec. Connector Seal	1		Cavity B
	57M7259	Elec. Connector Cavity Plug	1		Cavity A
	57M9712	Elec. Connector Accessory	1		
10	57M9903	Elec. Connector Housing	1		A01-J4, Front Left Controller 001
	57M9904	Elec. Connector Terminal	2		Cavity A, B
	57M8317	Elec. Connector Seal	2		Cavity A, B
	57M9907	Elec. Connector Accessory	1		
11	57M9903	Elec. Connector Housing	1		A05-J4, Front Right Controller 101
	57M9904	Elec. Connector Terminal	2		Cavity A, B
	57M8317	Elec. Connector Seal	2		Cavity A, B
	57M9907	Elec. Connector Accessory	1		
12	TCU29933	Clip	11		
13	AUC10516	Wiring Harness	1		Controller Area Network Bus
14	57M9764	Elec. Connector Housing	1		A01-J1, Front Left Controller 100
	R78065	Elec. Connector Terminal	5		Cavity 1, 2, 6, 11, 12
	57M9814	Elec. Connector Cavity Plug	7		Cavity 3 - 5, 7 - 10
15	57M8578	Elec. Connector Housing	1		X70, Main Harness Interconnection
	R78066	Elec. Connector Terminal	4		Cavity 1, 2, 3, 4
	R78069	Elec. Connector Cavity Plug	2		Cavity 5, 6
	57M7678	Elec. Connector Accessory	1		
16	57M9764	Elec. Connector Housing	1		A04-J1, Rear Controller 001
	R78065	Elec. Connector Terminal	5		Cavity 1, 4, 6, 11, 12
	57M9814	Elec. Connector Cavity Plug	7		Cavity 2, 3, 5, 7 - 10
17	57M8126	Electrical Connector Assy	1		X80, Main Harness Interconnection
	R78065	Elec. Connector Terminal	2		Cavity 1, 2
	R78069	Elec. Connector Cavity Plug	4		Cavity 3 - 6
	57M8013	Elec. Connector Locking Device	1		
18	57M9764	Elec. Connector Housing	1		A05-J1, Front Right Controller 101
	R78065	Elec. Connector Terminal	6		Cavity 1, 2, 4, 6, 11, 12
	57M9814	Elec. Connector Cavity Plug	6		Cavity 3, 5, 7 - 10
19	H77698	Tie Band	16		
20	14M7396	Lock Nut	7	-020000	M8
	14M7396	Lock Nut	10	020001-	M8
21	14M7397	Lock Nut	6		M6
22	UC23806	Bracket	1		Motor, Center / RH
23	UC16614	Bracket	1		Motor, LH
24	T27550	Clamp	5	-020000	
	T27550	Clamp	8	020001-	
25	T26955	Clamp	6		
26	19M8092	Screw	3		M6 X 50
27	19M7868	Screw	8	-020000	M8 X 30
	19M7868	Screw	11	020001-	M8 X 30
28	37M7457	Screw	4		M6 X 16
29	19M7796	Screw	3		M6 X 30
30	TCU25354	Cable	3		Reel Tether
31	19M7785	Screw	2		M10 X 25
32	14M7465	Lock Nut	2		M10
33	19M7862	Screw	1		M6 X 20
34	SU25155	Tie Band	6		
35	PH85242201	Electric Motor Controller	3		SUB FOR PH85235965

Electric Motors  
Electric Motors  
Electric Motors  
Electric Motors  
Electric Motors  
Electric Motors

PU40268 A.1

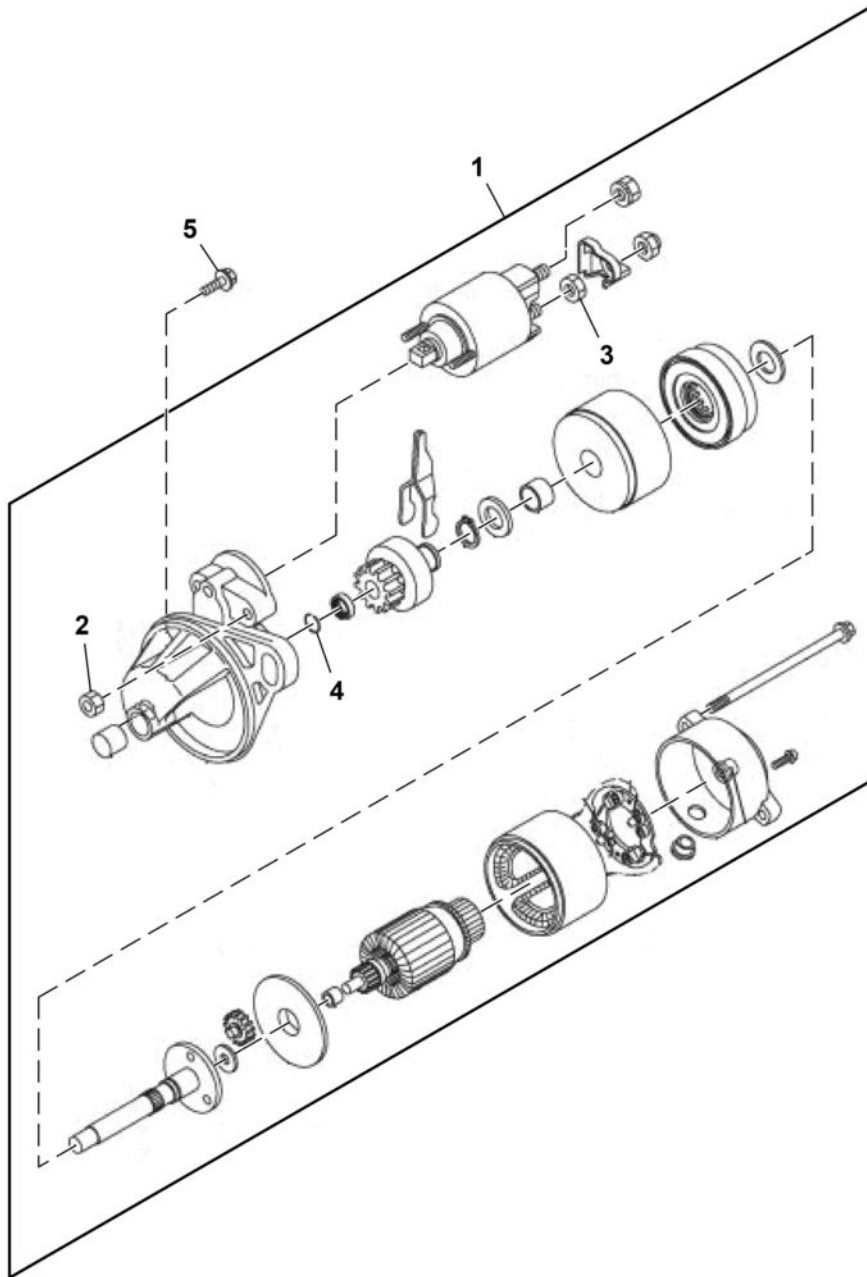


PU40268

Key	Part No.	Part Name	Qty.	Serial No.	Remarks
1	JD8653	Ball Bearing	9		
2	19M7863	Screw	6		M6 X 25
3	TCU25093	Chain Sprocket	3		OD = 49.78 mm
4	GX21569	Lock Nut	3		
5	AUC12499	Electric Motor	1		45 inch, Short Harness, Center
6	19M9297	Cap Screw	12		M5 X 16
7	TCU36335	Screw	6		
8	TCU36334	Flange	3		
9	40M1823	Snap Ring	6		
10	.....	Elec. Connector Accessory	3		Electric Motor Controller
11	F432009	Elec. Connector Housing	3		
	57M7832	Elec. Connector Terminal	9		Cavity A, B, C
12	57M9792	Elec. Connector Housing	3		
	57M9807	Elec. Connector Terminal	6		Cavity 1, 2, 3, 4, 7, 8
	57M9814	Elec. Connector Cavity Plug	2		Cavity 5, 6
13	57M15921	Elec. Connector Accessory	3		SUB FOR 57M9842
14	T143169	O-Ring	3		
15	TCU33535	Synchronous Belt	3		LGTH = 300 mm
16	26H67	Shaft Key	3		1/8" X 3/8"
17	TCU33536	Cover	3		Inner Motor
18	TCA18600	Synchronous Belt Pulley	3		OD = 44.45 mm
19	TCU33537	Cover	3		Outer Motor
20	14M7303	Flange Nut	9		M6
21	34M7094	Spring Pin	3		4 X 16 mm
22	TCU25528	Cap Screw	9		
23	AUC12498	Electric Motor	2		80 inch, Long Harness, LH / RH
24	R44302	Tie Band	3		
25	21M7268	Screw	9		M3 X 6
26	TCU18109	Spring Washer	3		

Starter Motor  
Starter Motor  
Starter Motor  
Starter Motor  
Starter Motor  
Starter Motor

PU38483 A.1



PU38483



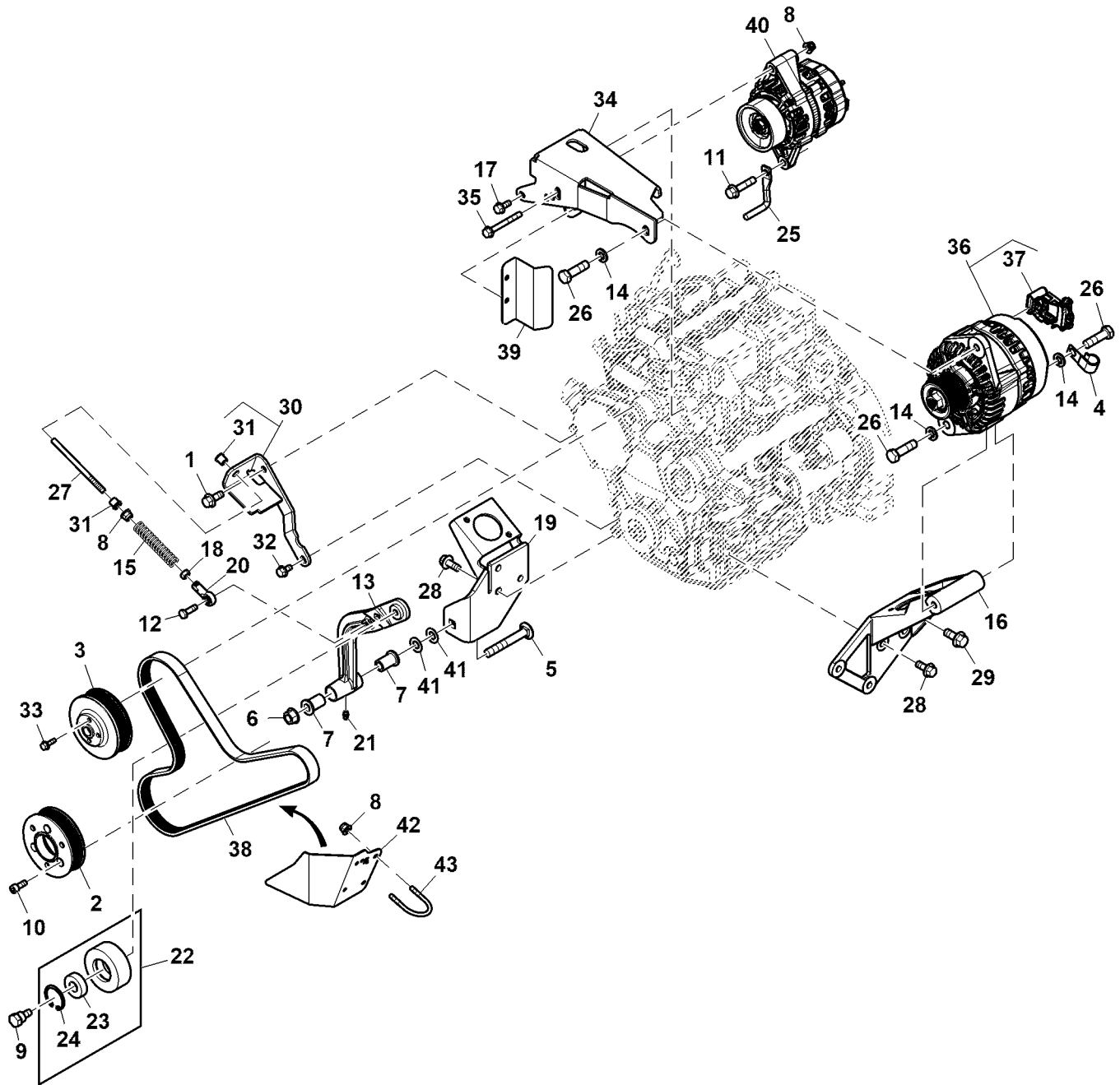
---

<i>Key</i>	<i>Part No.</i>	<i>Part Name</i>	<i>Qty.</i>	<i>Serial No.</i>	<i>Remarks</i>
1	MIU800612	Starter Motor Drive	1		
2	M70153	Nut	2		
3	M70145	Nut	1		
4	M70304	Snap Ring	1		
5	M800112	Bolt	2		

---

Alternators and Mounting Parts  
 Alternators and Mounting Parts  
 Alternators and Mounting Parts  
 Alternators and Mounting Parts  
 Alternators and Mounting Parts

PU39431 A.1

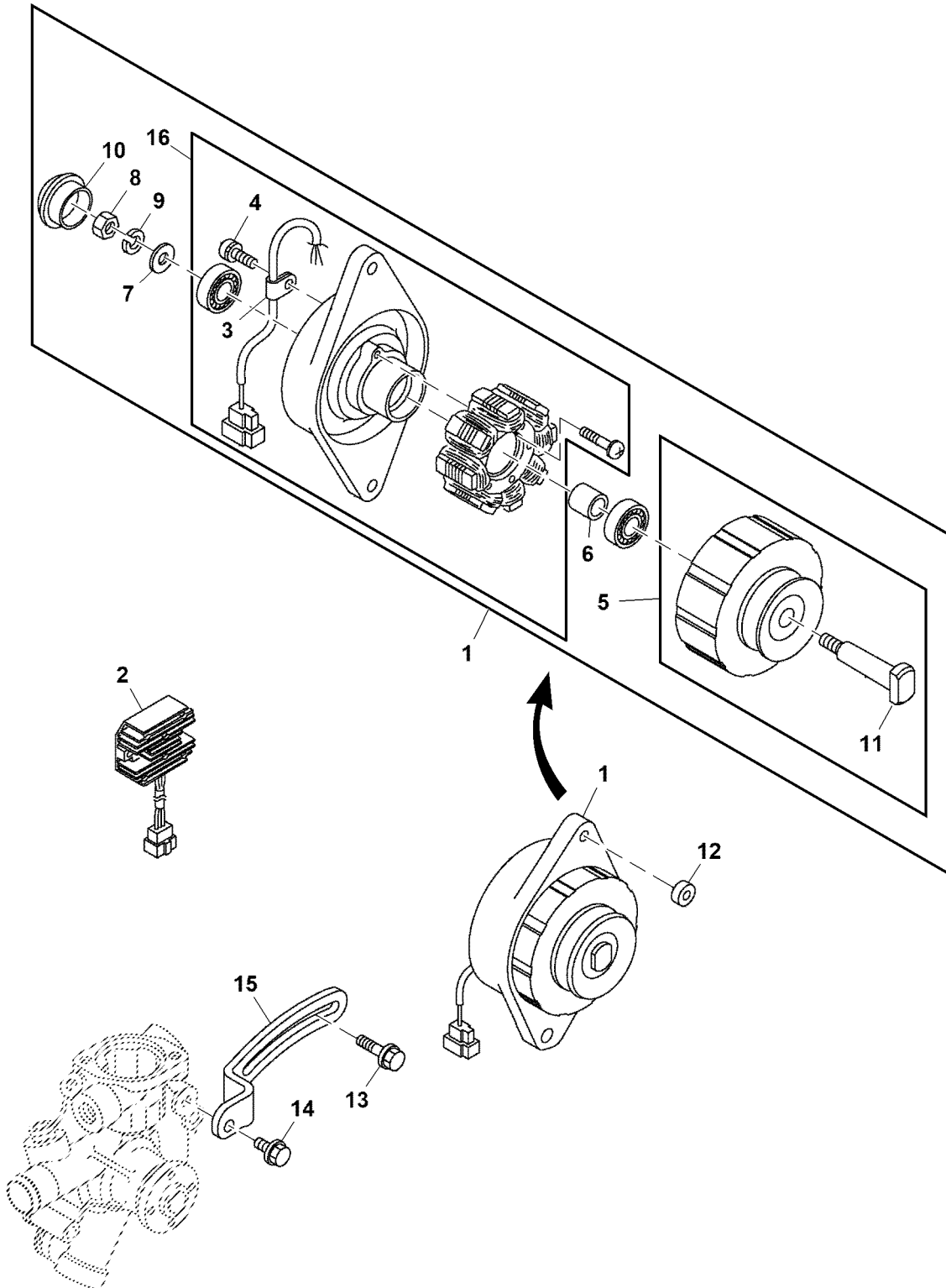


PU39431

Key	Part No.	Part Name	Qty.	Serial No.	Remarks
1	19M7785	Screw	1		M10 X 25
2	UC22693	Pulley	1		OD = 107.000 mm, Crankshaft
3	UC22692	Pulley	1		OD = 107.000 mm, Water Pump
4	AH96317	Clip	1		
5	03H1657	Bolt	1		1/2" X 3-1/2"
6	E62934	Flange Nut	1		
7	TCU19682	Bushing	2		
8	14M7396	Lock Nut	6		M8
9	TCU16306	Bolt	1		
10	19M8446	Screw	3		M8 X 20
11	19M7805	Screw	1		M10 X 45
12	19M7407	Cap Screw	1		M8 X 25
13	TCU19528	Bracket	1		Idler
14	12H301	Lock Washer	3		1/2"
15	TCU16352	Compression Spring	1		Idler
16	TCU21177	Bracket	1		Alternator, Lower
17	19M7866	Screw	1		M8 X 20
18	14M7273	Nut	1		M8
19	TCA16455	Bracket	1		Engine Mount, LH
20	AM102062	Link End	1		
21	JD7844	Lubrication Fitting	1		
22	TCA13325	Idler	1		OD = 76.200 mm
23	JD9449	Ball Bearing	1		
24	40M1860	Snap Ring	1		
25	TCU15501	Guide	1		Belt
26	19H1777	Cap Screw	3		1/2" X 1-3/4"
27	TCU14287	Stud	1		
28	TCU33342	Screw	5		
29	TCU33288	Screw	1		
30	TCA16456	Bracket	1		Bracket Idler Spring
31	M88102	Bushing	2		
32	19M7865	Screw	1		M8 X 16
33	19M7862	Screw	4		M6 X 20
34	UC12164	Bracket	1		Alternator, Upper
35	19M8039	Screw	1		M8 X 80
36	AUC10807	Alternator	1		100 A, ORDER AUC17178
37	AUC17178	Alternator	1		
38	AUC17177	Voltage Regulator	1		56 V, SUB FOR AUC10808
39	UC12742	Heat Shield	1		LGTH = 1310 mm, TK = 5.250 mm, WIDTH = 21.30 mm
40	AUC12725	Alternator	1		55 A
41	24H1849	Washer	2		17/32" X 1" X 0.036"
42	UC19179	Guard	1		V-Belt, Not for Canada and USA
43	A94703	U-Bolt	2		Not for Canada and USA
44	24M7024	Washer	2		9 X 28 X 3 mm, Not Illustrated

Alternator, 22.5 A  
Alternator, 22.5 A  
Alternator, 22.5 A  
Alternator, 22.5 A  
Alternator, 22.5 A  
Alternator, 22.5 A

PU50328 A.1



PU50328

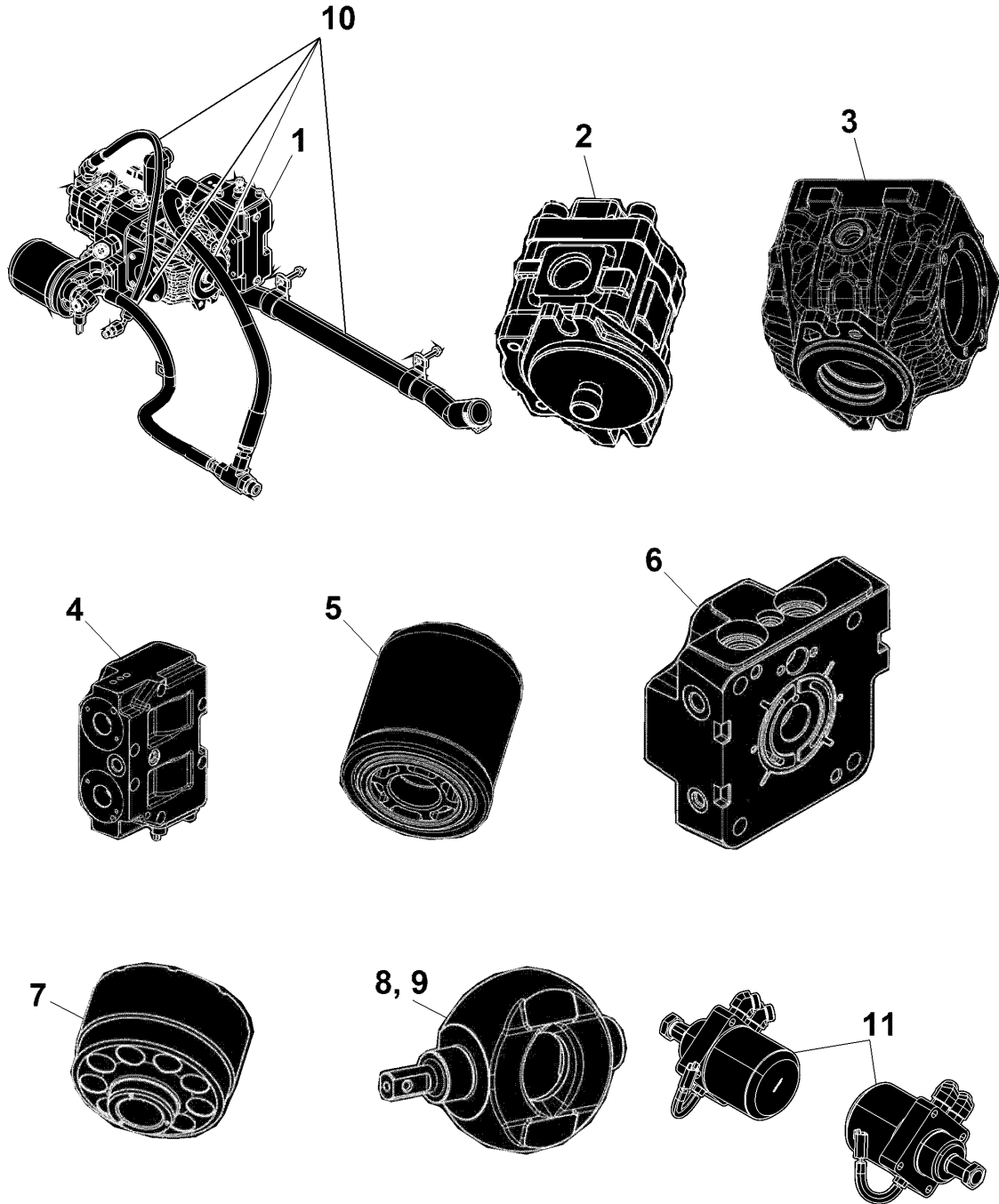
Key	Part No.	Part Name	Qty.	Serial No.	Remarks
1	AM879144	Alternator	1		
2	AUC12632	Voltage Regulator	1		
3	CH15996	Clamp	1		
4	M800119	Screw	1		
5	AM880340	Rotor	1		
6	CH15987	Locking Collar	1		
7	24H1682	Washer	1		13/32" X 7/8" X 0.120"
8	M800116	Nut	1		
9	12M7066	Lock Washer	1		10 mm
10	M807310	Cap	1		
11	M809987	Bolt	1		Flywheel
12	M811547	Spacer	1		
13	MIU800002	Bolt	1		Adjuster
14	19M7866	Screw	1		M8 X 20
15	M811954	Adjuster	1		
16	AM879145	Plate	1		



Sectional Pictorial Index  
 Index d'illustrations par sections.  
 Gruppenbildindex  
 Indice illustrato delle sezioni  
 Índice de ilustraciones por secciones  
 Avsnittsbildregister

PU47101 A.1

1-	128
2-	129
3-	130
4-	132
5-	134
6-	136
7-	138
8-	140
9-	142
10-	144
11-	146

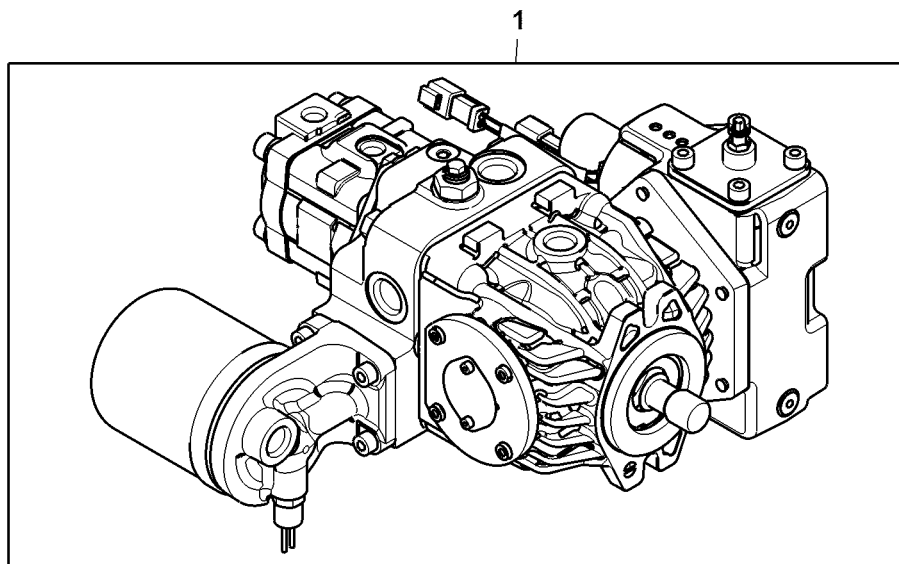


PU47101

Hydrostatic Traction Pump  
 Hydrostatic Traction Pump  
 Hydrostatic Traction Pump  
 Hydrostatic Traction Pump  
 Hydrostatic Traction Pump  
 Hydrostatic Traction Pump



PU38804 A.1



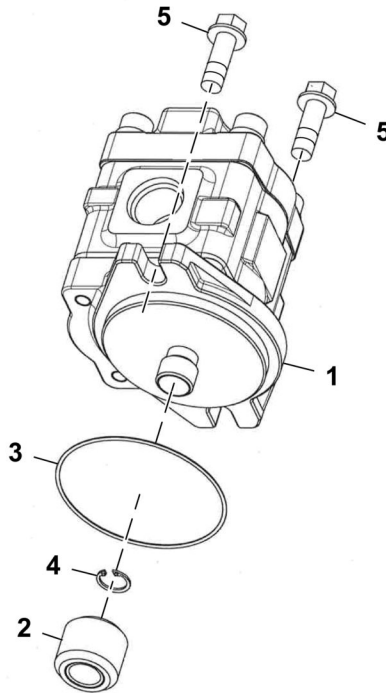
**PU38804**

Key	Part No.	Part Name	Qty.	Serial No.	Remarks
1	AUC10819	Hydraulic Pump	1		MARKED 168PHB-40010; ORDER AUC17761
	AUC19004	Hydraulic Pump	1		MARKED 68PHB-40031; SUB FOR AUC17761
	AUC21127	Hydraulic Pump	1		MARKED 168PHB-40031; SUB FOR AUC19004



Hydraulic Gear Pump  
 Hydraulic Gear Pump  
 Hydraulic Gear Pump  
 Hydraulic Gear Pump  
 Hydraulic Gear Pump  
 Hydraulic Gear Pump

PU38807 A.1

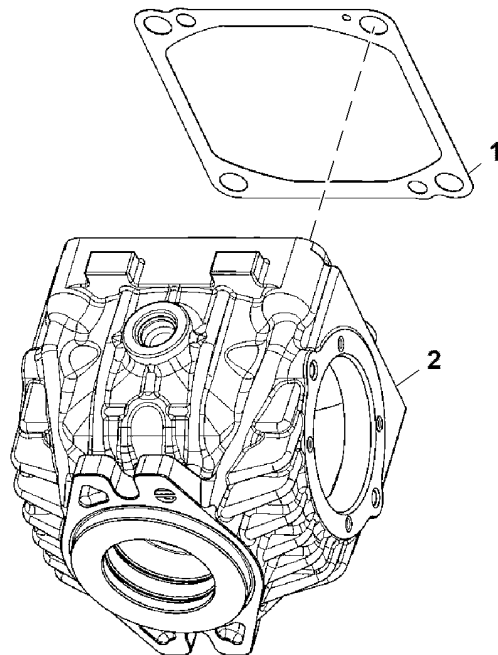


**PU38807**

Key	Part No.	Part Name	Qty.	Serial No.	Remarks
1	AUC10533	Pump	1		
2	UC23628	Splined Coupling	1		
3	UC23568	O-Ring	1		
4	CH13992	Snap Ring	1		
5	19M7786	Screw	2		M10 X 30

Hydrostatic Pump Housing  
 Hydrostatic Pump Housing  
 Hydrostatic Pump Housing  
 Hydrostatic Pump Housing  
 Hydrostatic Pump Housing  
 Hydrostatic Pump Housing

PU38727 A.1



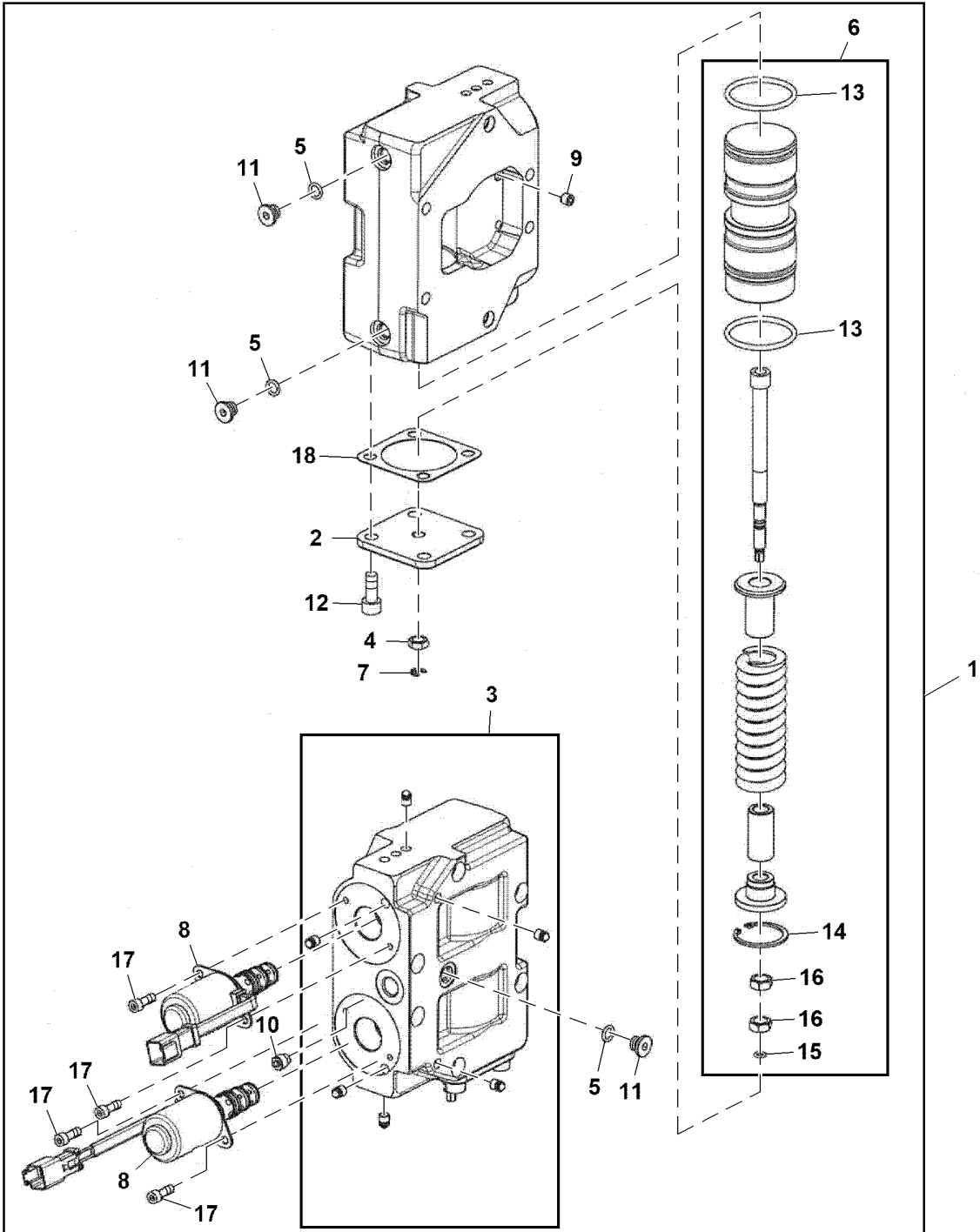
PU38727

Key	Part No.	Part Name	Qty.	Serial No.	Remarks
1	UC23387	Gasket	1		
2	MIU804949	Housing	1		



Reservoir Kit, Hydrostatic Pump  
 Reservoir Kit, Hydrostatic Pump  
 Reservoir Kit, Hydrostatic Pump  
 Reservoir Kit, Hydrostatic Pump  
 Reservoir Kit, Hydrostatic Pump  
 Reservoir Kit, Hydrostatic Pump

PU47079 A.1

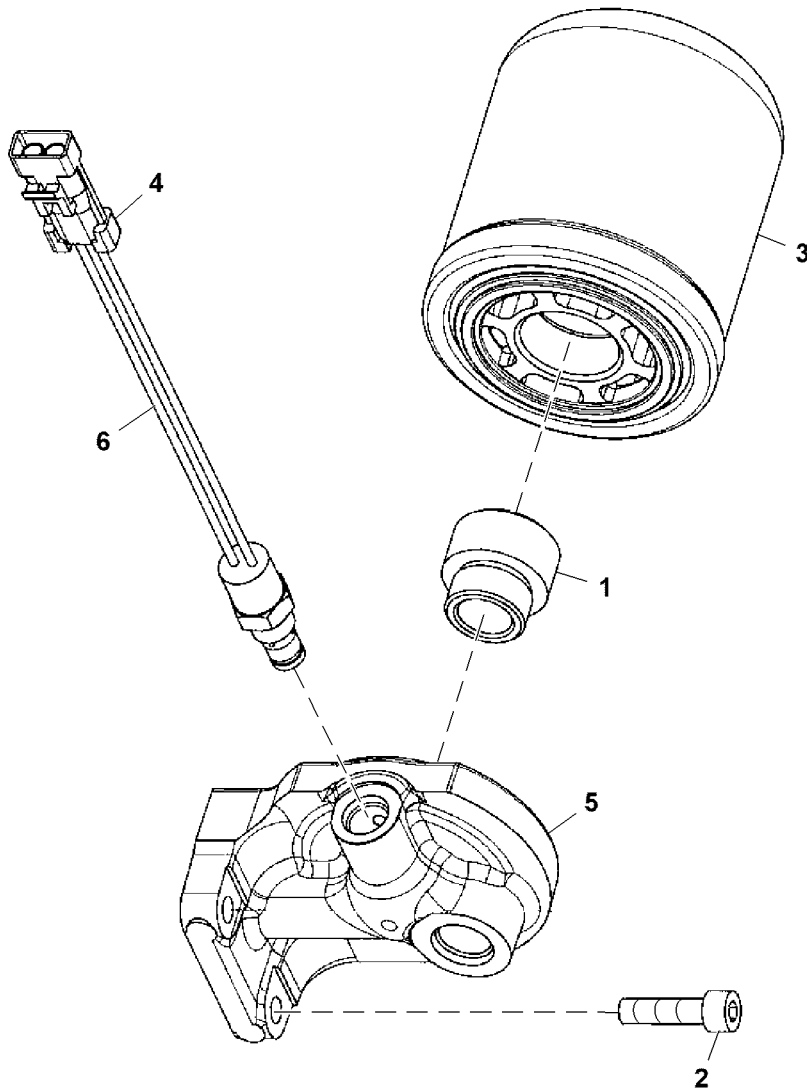


PU47079

Key	Part No.	Part Name	Qty.	Serial No.	Remarks
1	MIA885589	Hydraulic Pump	1		ORDER MIA885850
	MIA885850	Hydraulic Pump	1		
2	MIA885191	Cover	1		Servo Controller
3	MIA885192	Case Kit	1		USE WITH AUC10819, Servo Controller
	MIA885590	Case Kit	1		USE WITH AUC17761 OR AUC19004, Servo Controller
4	UC23381	Nut	1		
5	CH19111	O-Ring	3		
6	MIA885193	Piston Kit	1		Servo Controller
7	UC23380	Clip	1		
8	AUC13324	Solenoid Valve	2		ORDER MIU805584, Proportional Control
	MIU805584	Solenoid Valve	2		
9	HXE66155	Orifice	1		
10	UC23280	Fitting	1		
11	UC23278	Fitting Plug	3		
12	UC23558	Bolt	4		
13	UC23393	Seal	2		Servo Piston
14	40M7136	Snap Ring	1		
15	LVU801572	O-Ring	1		
16	CH12404	Nut	2		
17	UC23281	Bolt	4		
18	UC23378	Gasket	1		USE WITH MIA885589, Servo Piston
	MIU805534	Gasket	1		USE WITH MIA885850

Oil Filter  
Oil Filter  
Oil Filter  
Oil Filter  
Oil Filter  
Oil Filter

PU49352 A.1

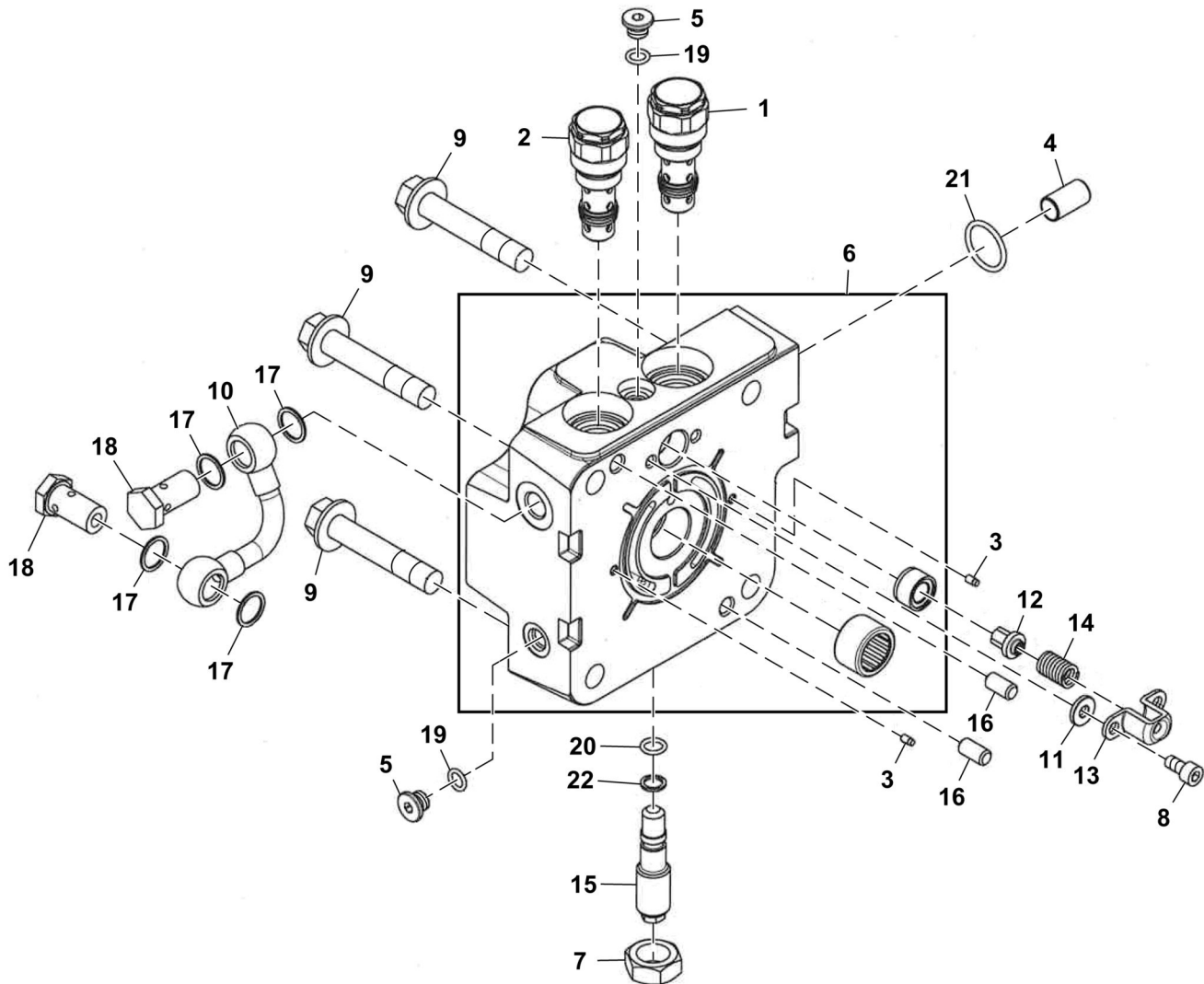


PU49352

Key	Part No.	Part Name	Qty.	Serial No.	Remarks
1	MIU804953	Universal Joint	1		
2	UC23559	Socket Head Screw	3		
3	UC31305	Oil Filter	1		SUB FOR LVU14258
4	57M7985	Elec. Connector Housing	1		
	R104919	Elec. Connector Terminal	2		
	57M7258	Elec. Connector Seal	2		
	57M7289	Elec. Connect Locking Device	1		
5	AUC11131	Filter Head	1		
6	TCA26026	Pressure Switch	1		ORDER UC28446, Hydrostatic Traction Filter
	UC28446	Pressure Switch	1		Hydrostatic Traction Filter

Center Case Kit, Hydrostatic Pump  
 Center Case Kit, Hydrostatic Pump  
 Center Case Kit, Hydrostatic Pump  
 Center Case Kit, Hydrostatic Pump  
 Center Case Kit, Hydrostatic Pump  
 Center Case Kit, Hydrostatic Pump

PU38730 A.1



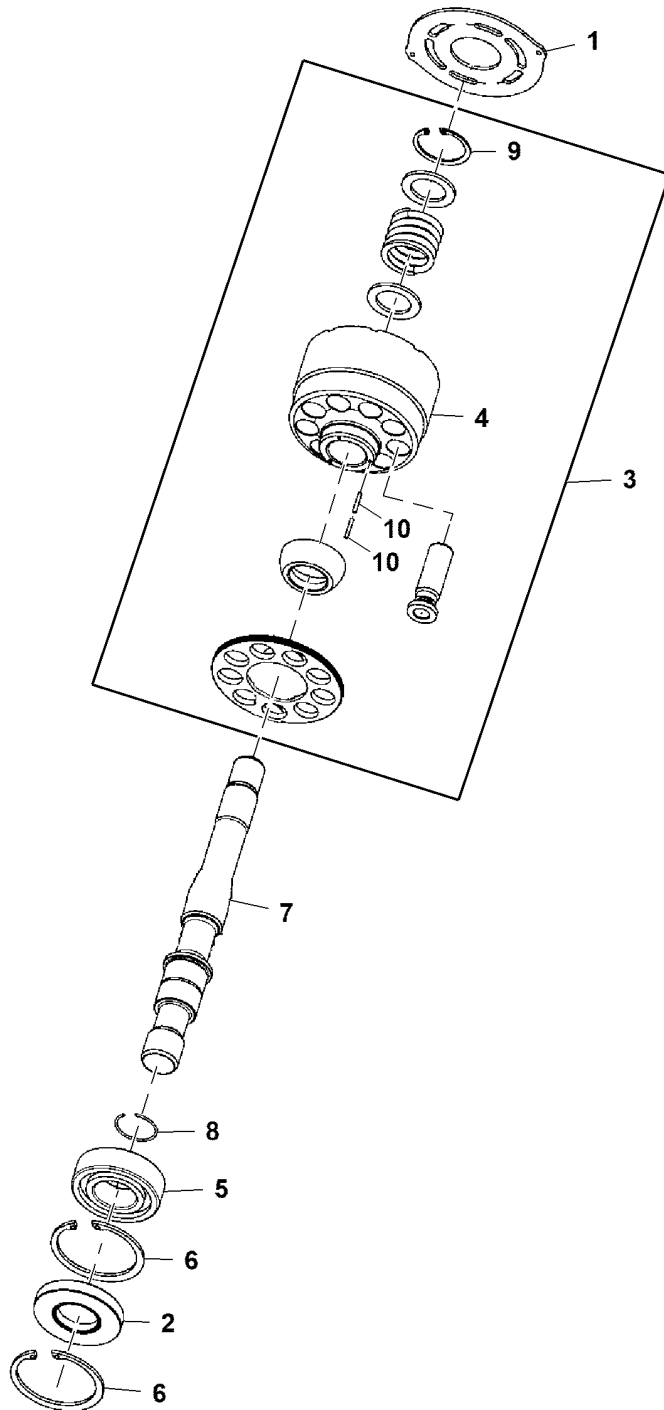
PU38730



Key	Part No.	Part Name	Qty.	Serial No.	Remarks
1	MIU804954	Valve Lifter	1		CR F, SUB FOR AUC15977
2	MIU804955	Valve Lifter	1		CR R0.8, SUB FOR AUC15976
3	M119816	Dowel Pin	2		
4	M96854	Dowel Pin	1		
5	UC23278	Fitting Plug	2		
6	MIA885209	Case Kit	1		
7	CH12405	Nut	1		
8	LVU800940	Bolt	2		
9	MIU804948	Bolt	4		
10	UC23567	Oil Tube	1		
11	UC23391	Spacer	2		
12	UC23388	Check Valve	1		Charge Relief
13	UC23390	Strap	1		Charge Relief
14	UC23389	Spring	1		Charge Relief
15	UC23569	Hydraulic Cylinder Rod	1		Bypass Pin
16	CH18306	Dowel Pin	2		
17	CH16901	O-Ring	4		
18	CH16903	Bolt	2		
19	CH19111	O-Ring	2		
20	CH11560	O-Ring	1		
21	CH11563	O-Ring	1		
22	UC23573	Back-Up Ring	1		

Cylinder Block Kit, Hydrostatic Pump  
Cylinder Block Kit, Hydrostatic Pump  
Cylinder Block Kit, Hydrostatic Pump  
Cylinder Block Kit, Hydrostatic Pump  
Cylinder Block Kit, Hydrostatic Pump  
Cylinder Block Kit, Hydrostatic Pump

PU38731 A.1

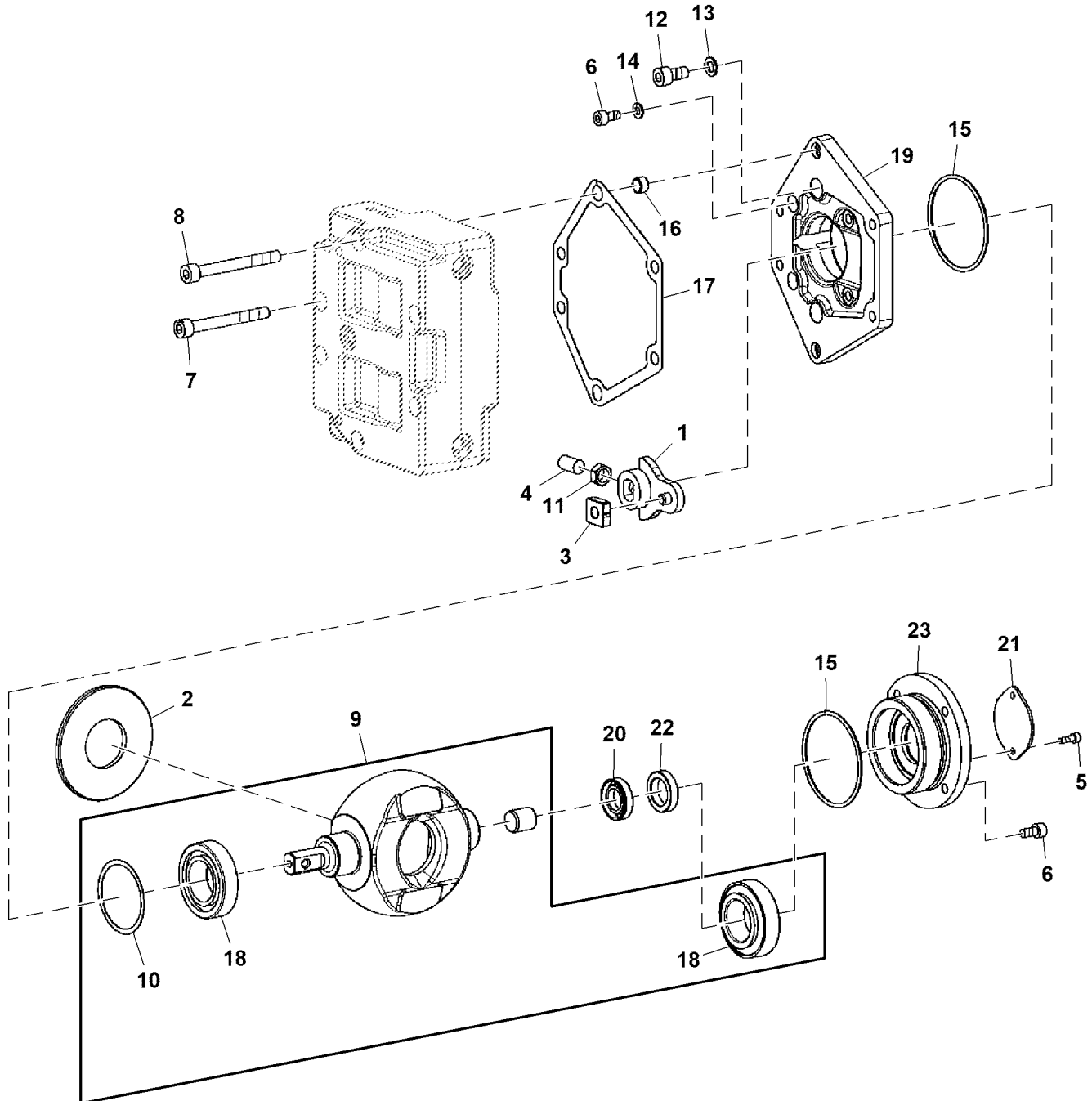


PU38731

Key	Part No.	Part Name	Qty.	Serial No.	Remarks
1	UC23385	Plate	1		
2	UC23382	Seal	1		
3	LVA802622	Kit	1		Cylinder Block
4	LVA802623	Cylinder	1		
5	CH11550	Ball Bearing	1		
6	CH11487	Snap Ring	2		
7	MIU804972	Shaft	1		
8	MIU804952	Ring	1		Ball Bearing
9	CH17861	Ring	1		
10	LVA802630	Pin	6		

Swash Plate Kit, Hydrostatic Pump  
 Swash Plate Kit, Hydrostatic Pump  
 Swash Plate Kit, Hydrostatic Pump  
 Swash Plate Kit, Hydrostatic Pump  
 Swash Plate Kit, Hydrostatic Pump  
 Swash Plate Kit, Hydrostatic Pump

PU38725 A.1

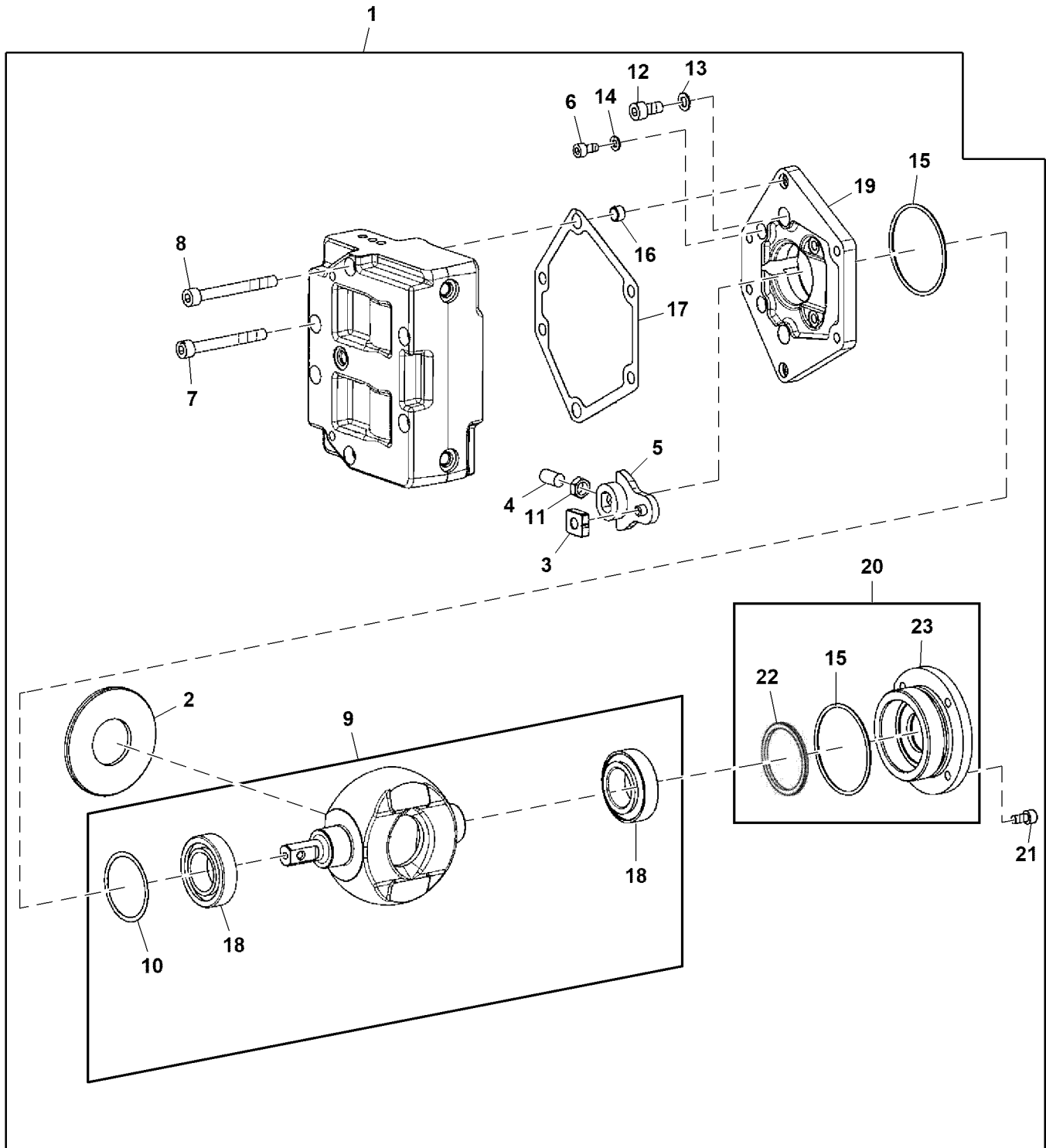


PU38725

Key	Part No.	Part Name	Qty.	Serial No.	Remarks
1	AUC15978	Control Lever	1		
2	AUC15991	Plate	1		Thrust
3	MIU805395	Block Clamp	1		SUB FOR MIU803536
4	MIU804951	Set Screw	1		
5	MIU805174	Bolt	2		USE WITH AUC10819; SUB FOR MIU804966
6	LVU800940	Bolt	8		
7	UC23560	Socket Head Screw	2		
8	UC23561	Socket Head Screw	4		
9	MIA885200	Plate Kit	1		USE WITH AUC10819; SUB FOR UC23377, Swash
10	MIA885198	Shim Kit	1		
11	CH12404	Nut	1		
12	M800658	Bolt	2		
13	M803523	Washer	2		
14	M87851	Washer	4		
15	CH17154	Seal	2		
16	ET14356	Pin	2		
17	UC23379	Gasket	1		Servo housing
18	M804151	Bearing	2		
19	MIU804963	Cover	1		Side A
20	UC23386	Seal	1		USE WITH AUC10819
21	MIU804964	Cover	1		USE WITH AUC10819
22	MIU804965	Spacer	1		USE WITH AUC10819
23	MIU804983	Cover	1		USE WITH AUC10819, Side B

Control Kit, Hydrostatic Pump  
Control Kit, Hydrostatic Pump  
Control Kit, Hydrostatic Pump  
Control Kit, Hydrostatic Pump  
Control Kit, Hydrostatic Pump  
Control Kit, Hydrostatic Pump

PU49365 A.1

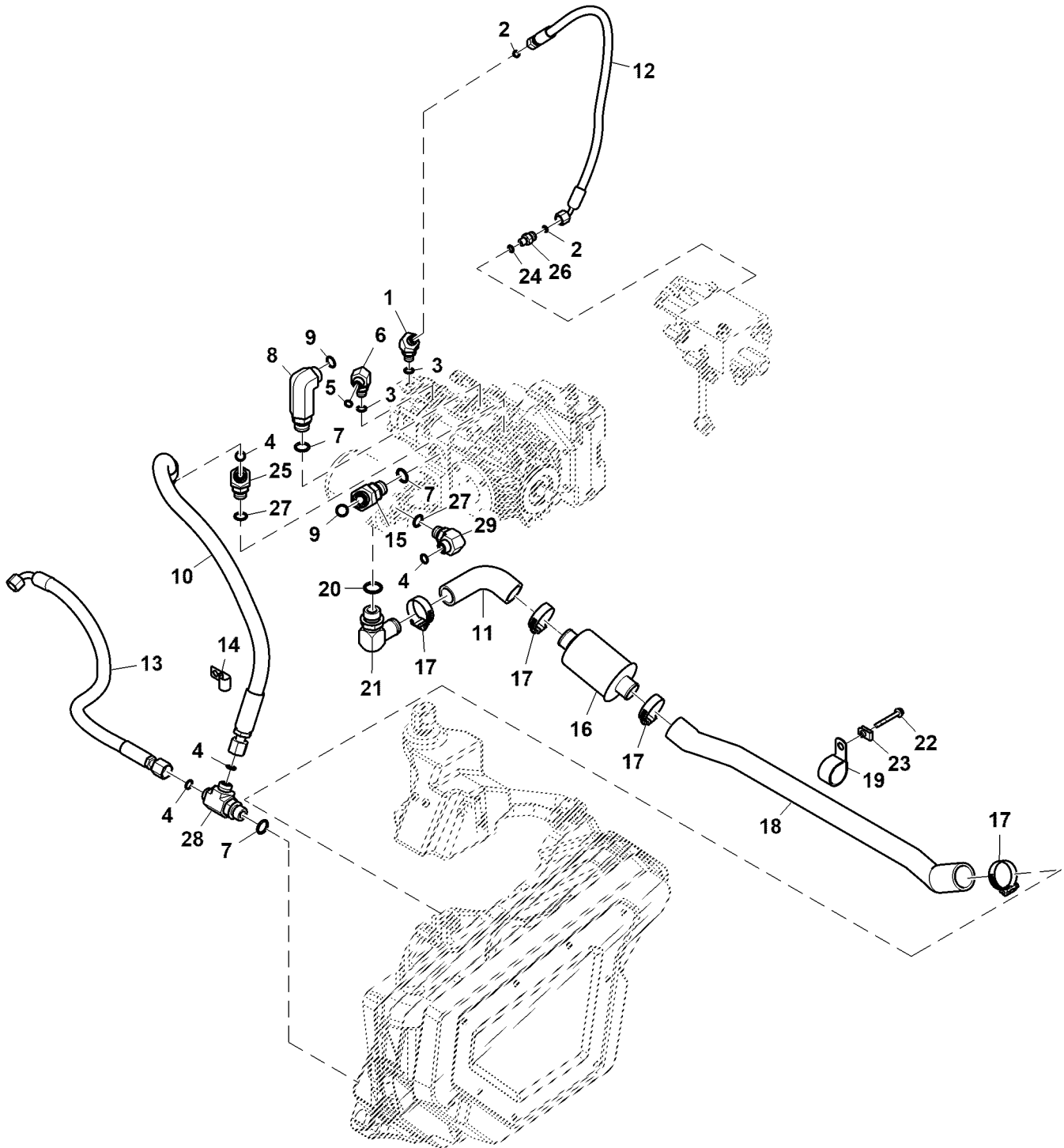


PU49365

Key	Part No.	Part Name	Qty.	Serial No.	Remarks
1	MIA885591	Kit	1		
2	AUC15991	Plate	1		Thrust
3	MIU805395	Block Clamp	1		
4	MIU804951	Set Screw	1		
5	AUC15978	Control Lever	1		
6	LVU800940	Bolt	4		
7	UC23560	Socket Head Screw	2		
8	UC23561	Socket Head Screw	4		
9	MIA885592	Plate Kit	1		Swash
10	MIA885198	Shim Kit	1		
11	CH12404	Nut	1		
12	M800658	Bolt	2		
13	M803523	Washer	2		
14	M87851	Washer	4		
15	CH17154	Seal	2		
16	ET14356	Pin	2		
17	UC23379	Gasket	1		Servo housing
18	M804151	Bearing	2		
19	MIU804963	Cover	1		Side A
20	MIA885593	Cover Kit	1		
21	LVU804152	Bolt	4		
22	MIU805373	Spacer	1		
23	MIU805372	Cover	1		Side B

Hydrostatic Pump Hoses and Fittings  
 Hydrostatic Pump Hoses and Fittings  
 Hydrostatic Pump Hoses and Fittings  
 Hydrostatic Pump Hoses and Fittings  
 Hydrostatic Pump Hoses and Fittings  
 Hydrostatic Pump Hoses and Fittings

PU38828 A.1



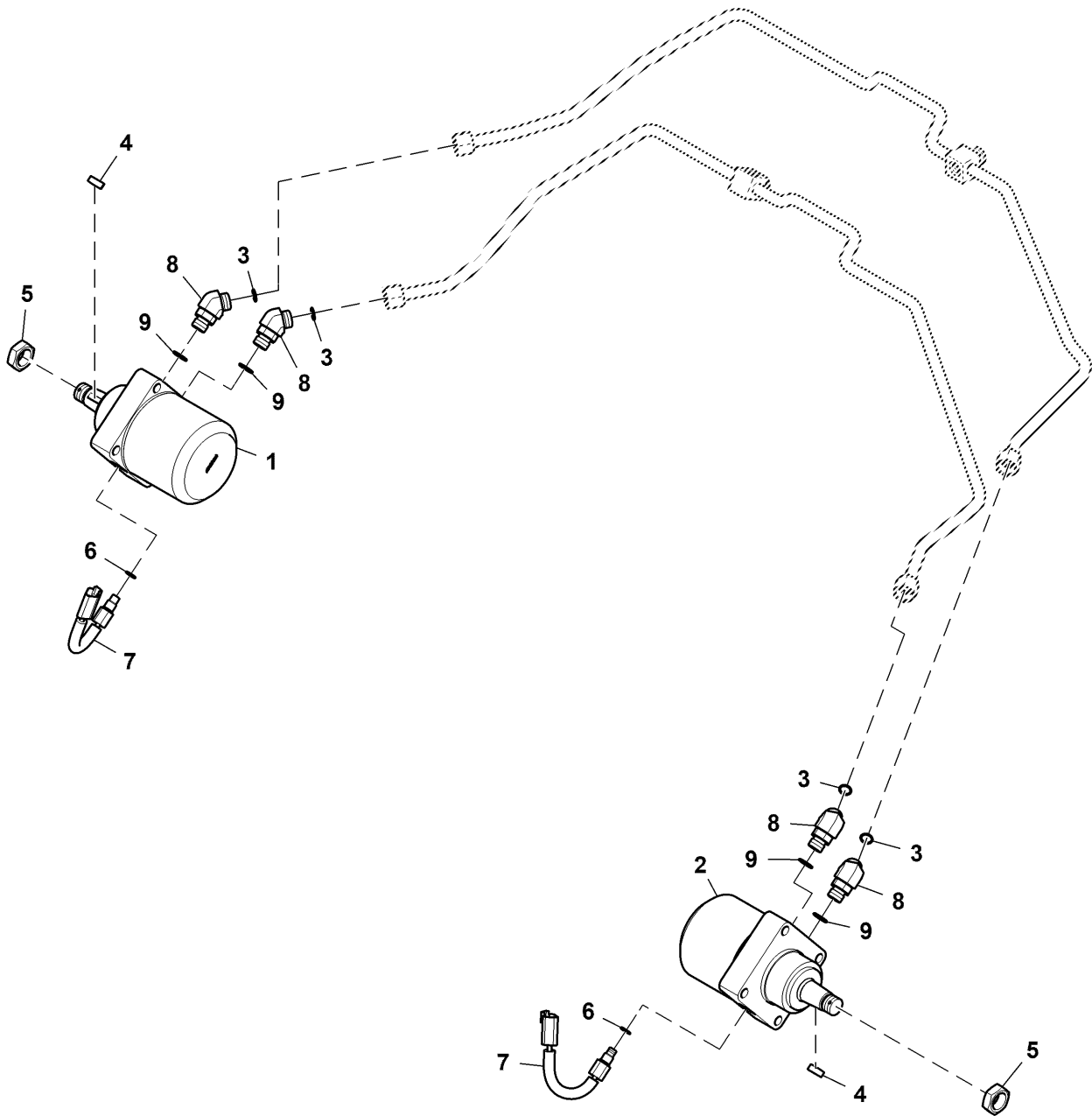
PU38828



Key	Part No.	Part Name	Qty.	Serial No.	Remarks
1	61H3545	Elbow Fitting	1		
2	T77814	O-Ring	2		
3	R26448	O-Ring	2		
4	T77857	O-Ring	4		
5	T77613	O-Ring	1		
6	38H3004	Adapter Fitting	1		
7	R26906	O-Ring	4		
8	38H3585	Elbow Fitting	1		
9	T77932	O-Ring	2		
10	AUC20084	Hydraulic Hose	1		SUB FOR AUC10925, Hydrostatic Pump to Hydraulic Reservoir
11	UC11752	Suction Hose	1		Strainer to Traction Pump
12	AUC20085	Hydraulic Hose	1		SUB FOR AUC10920, Solenoid Hydraulic Valve to Traction Pump
13	AUC20083	Hydraulic Hose	1		SUB FOR AUC14818, Solenoid Hydraulic Valve to Hydraulic Reservoir
14	AH89557	Clip	1		
15	38H1047	Elbow Fitting	1		
16	AUC12295	Strainer	1		
17	AR21839	Clamp	4		
18	UC12059	Suction Hose	1		Hydraulic Reservoir to Strainer
19	AT121321	Hose Clamp	2		
20	U12547	O-Ring	1		
21	UC32843	Fitting	1		
22	19M8092	Screw	2		M6 X 50
23	M84972	Nut	2		
24	R28782	O-Ring	1		
25	38H3046	Elbow Fitting	1		
26	38H3159	Adapter Fitting	1		
27	R26375	O-Ring	2		
28	38H3631	Adapter Fitting	1		
29	38H3005	Adapter Fitting	1		
30	CH10568	Packing	2		Not Illustrated
31	MIU804947	Packing	1		Not Illustrated
32	MIU804787	O-Ring	2		Not Illustrated
33	MIA885689	Filter Kit	2		Not Illustrated
34	MIU805535	Gasket	2		Not Illustrated

Hydraulic Motor  
Hydraulic Motor  
Hydraulic Motor  
Hydraulic Motor  
Hydraulic Motor  
Hydraulic Motor

PU46610 A.1



PU46610

---

Key	Part No.	Part Name	Qty.	Serial No.	Remarks
1	AUC16148	Hydraulic Motor	1		RH
2	AUC16149	Hydraulic Motor	1		LH
3	T77932	O-Ring	4		
4	26H23	Shaft Key	2		5/16" X 1"
5	MT2119	Nut	2		
6	R26448	O-Ring	2		
7	AUC12469	Wheel Speed Sensor	2		Hall Effect
8	38H1047	Elbow Fitting	4		
9	R26906	O-Ring	4		
10	AUC15785	Seal Kit	2		Not Illustrated

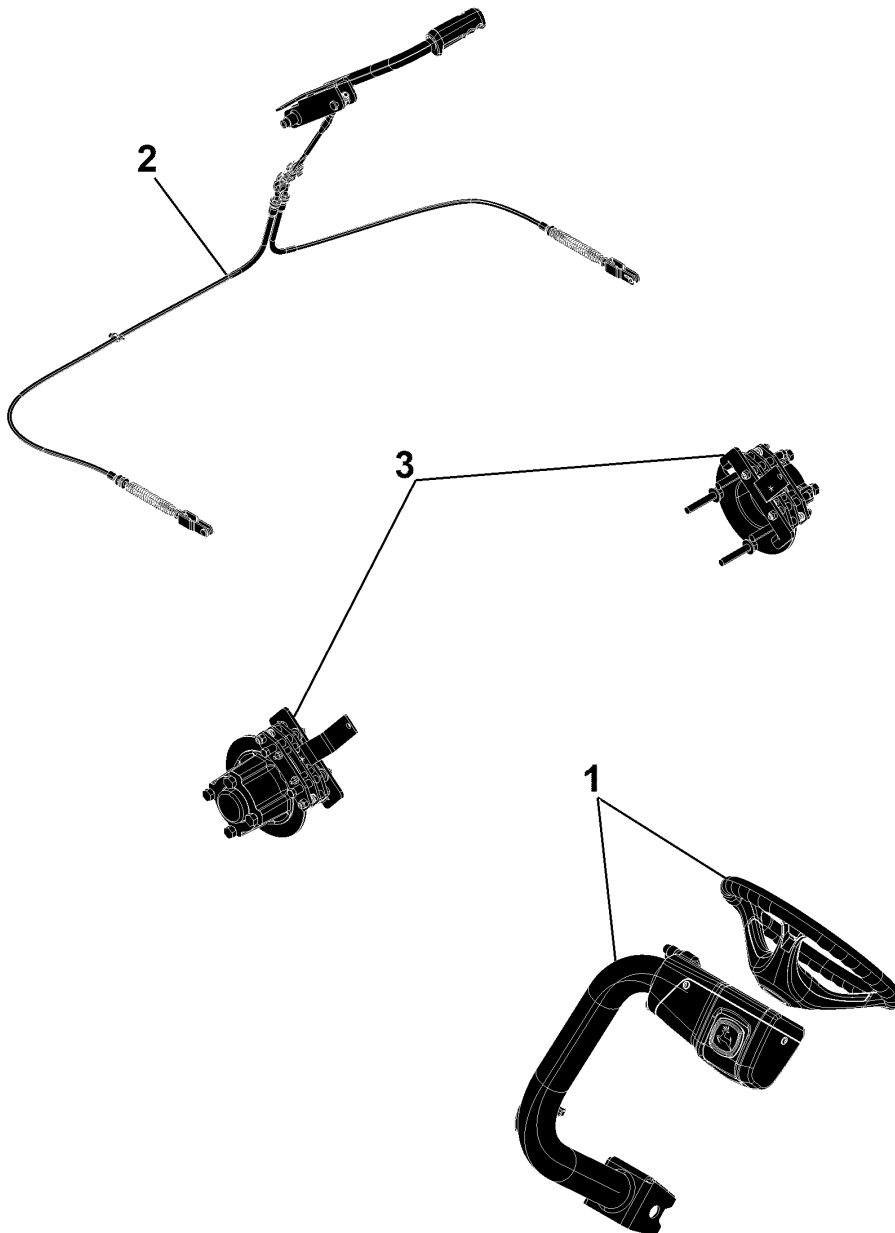
---



Sectional Pictorial Index  
 Index d'illustrations par sections.  
 Gruppenbildindex  
 Índice ilustrado delle sezioni  
 Índice de ilustraciones por secciones  
 Avsnittsbildregister

PU38999 A.1

1-	150
2-	152
3-	154

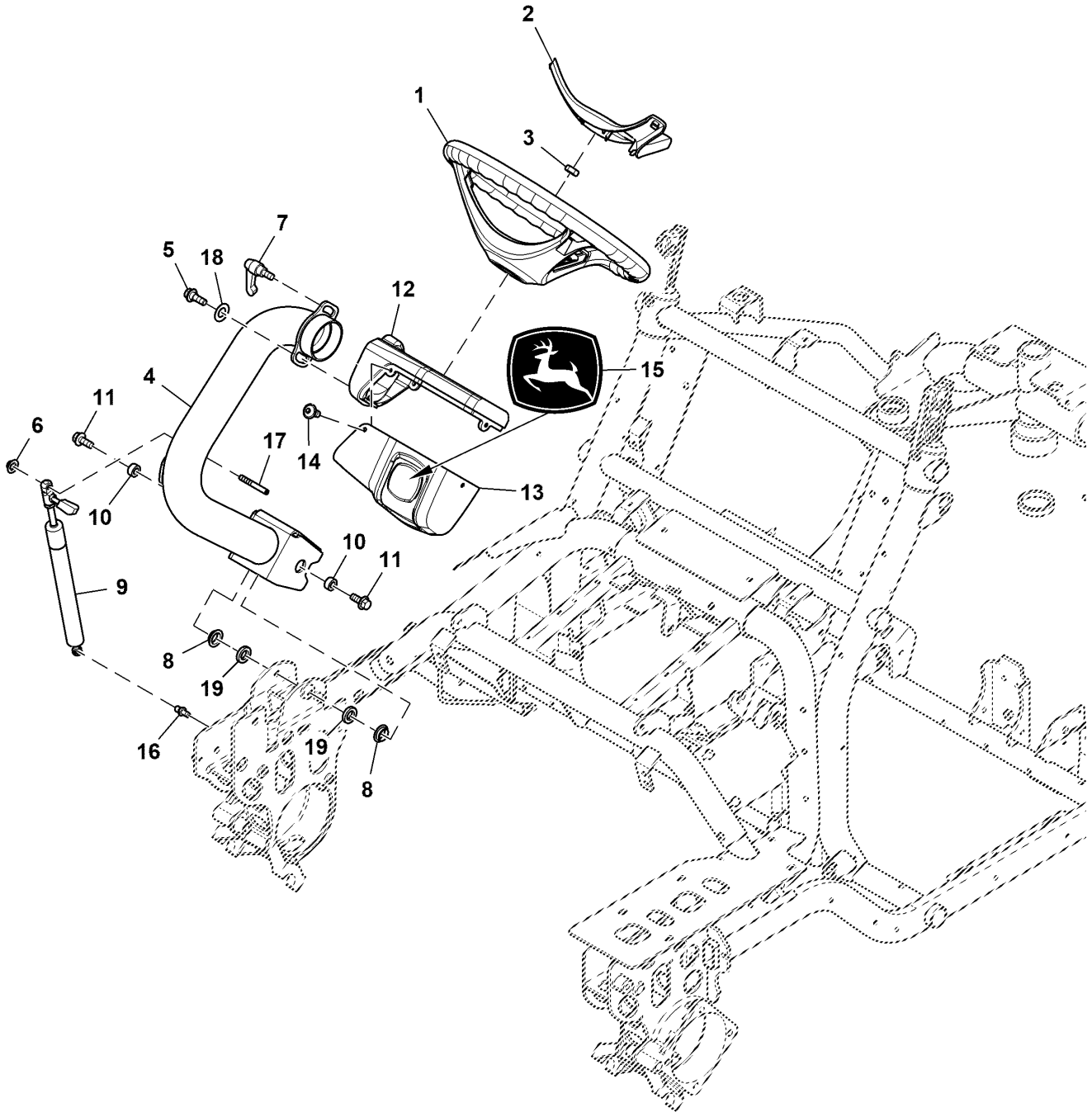


PU39000

Steering Wheel and Column  
Steering Wheel and Column  
Steering Wheel and Column  
Steering Wheel and Column  
Steering Wheel and Column  
Steering Wheel and Column



TC410558 A.1

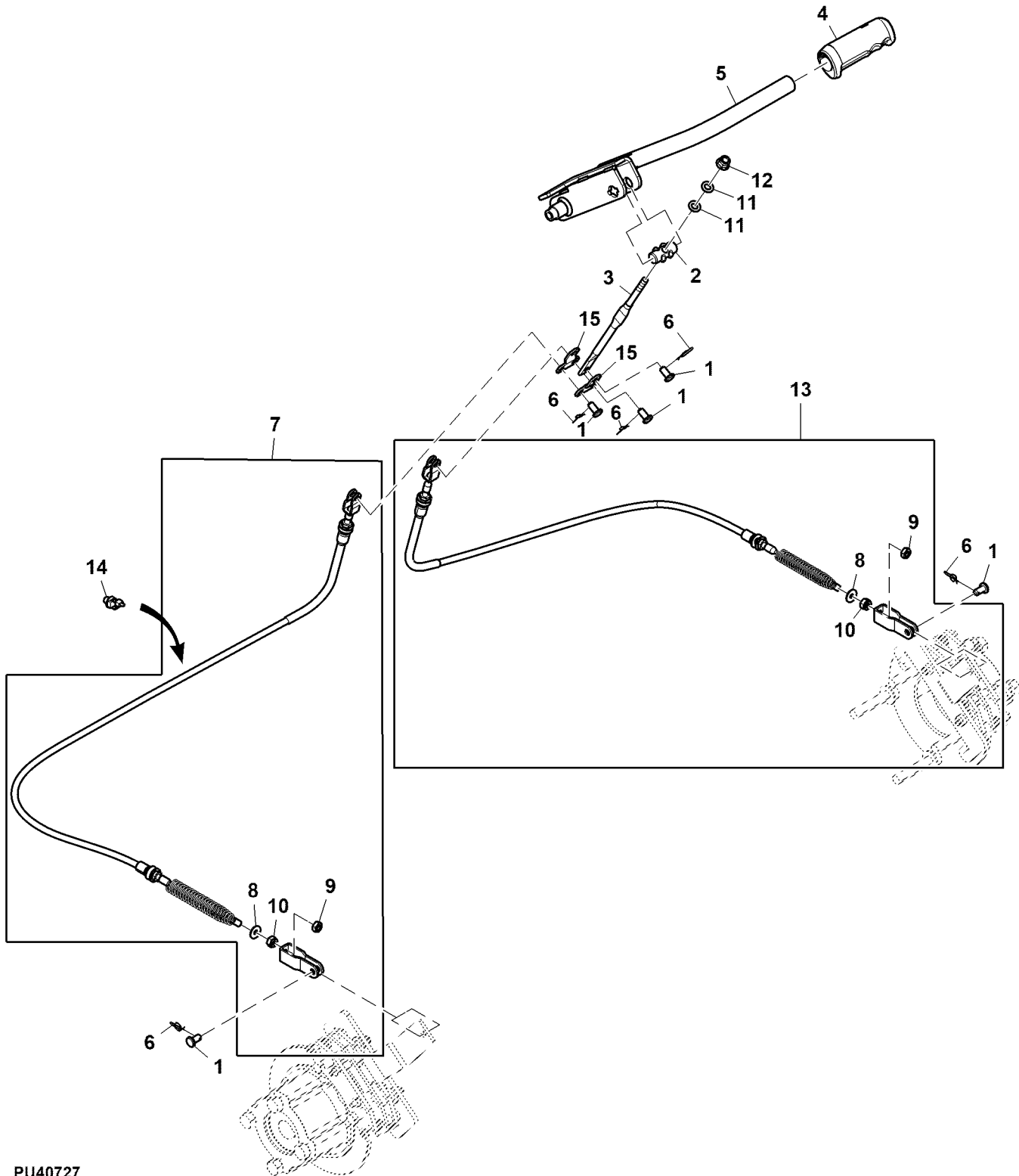


TC410558

Key	Part No.	Part Name	Qty.	Serial No.	Remarks
1	M142218	Steering Wheel	1		
2	M142219	Cover	1		
3	14H866	Nut	1		5/8"
4	AUC16705	Steering Column	1		
5	M144350	Bolt	1		
6	MT6519	Nut	1		
7	UC14268	Adjuster	1		Steering Wheel Angle
8	UC23091	Bushing	2		
9	AUC17668	Shock Absorber	1		SUB FOR AUC11173
10	UC23092	Bushing	2		
11	19M7785	Screw	2		M10 X 25
12	UC25463	Support	1		Valve Mount
13	UC16093	Cover	1		
14	19M8851	Screw	4		M6 X 12
15	JD5720	Label	1		
16	KV14594	Ball Stud	1		
17	W30317	Spring Pin	1		
18	24H1849	Washer	1		17/32" X 1" X 0.036"
19	UC26086	Spacer	2	010001-010014	

Hand Brake and Cables  
Hand Brake and Cables  
Hand Brake and Cables  
Hand Brake and Cables  
Hand Brake and Cables  
Hand Brake and Cables

PU40727 A.1



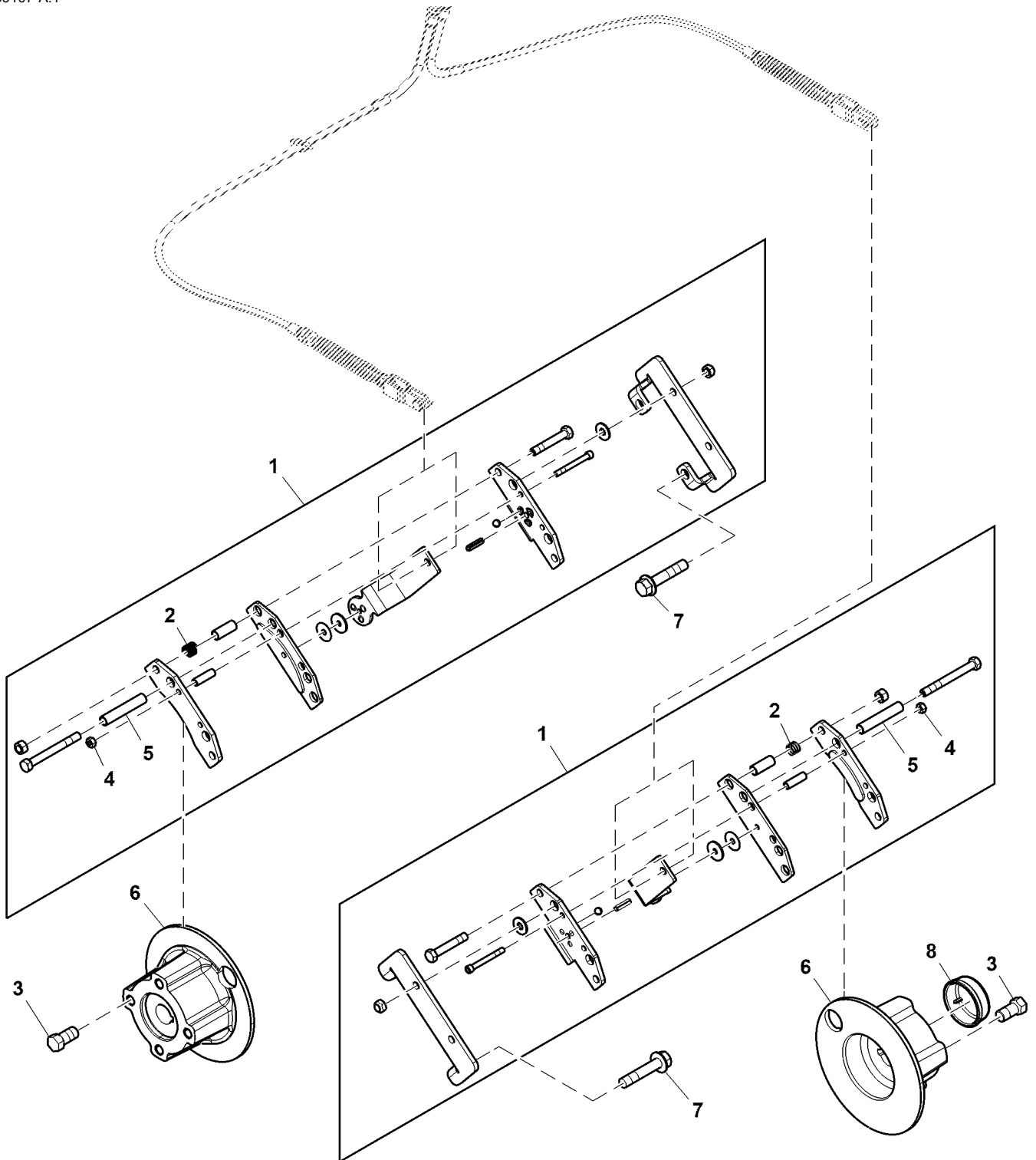
PU40727



Key	Part No.	Part Name	Qty.	Serial No.	Remarks
1	45M7044	Pin Fastener	5		8 X 16 mm
2	UC14506	Pin	1		
3	UC13916	Rod	1		
4	L203088	Grip	1		
5	AUC17396	Handbrake Lever	1		SUB FOR AUC12369
6	TCU33333	Pin	5		
7	AUC20405	Cable Kit	1		SUB FOR AUC12371, Push Pull, RH
8	24M7139	Washer	2		6.400 X 18 X 1.600 mm
9	14H611	Nut	2		5/16"
10	M176636	Lock Nut	2		
11	24M7036	Washer	2		9 X 16 X 1.600 mm
12	14M7396	Lock Nut	1		M8
13	AUC13021	Cable Kit	1		ORDER AUC20406, Push Pull, LH
	AUC20406	Push Pull Cable	1		
14	TCU29933	Clip	1		
15	TCU28671	Balancer	2		

Brake Calipers and Hub  
 Brake Calipers and Hub  
 Brake Calipers and Hub  
 Brake Calipers and Hub  
 Brake Calipers and Hub  
 Brake Calipers and Hub

PU39107 A.1



PU39107

---

Key	Part No.	Part Name	Qty.	Serial No.	Remarks
1	AUC19273	Disk Brake Caliper Assy	2		INCLUDES AUC10534; SUB FOR TCA19188
2	MIU13472	Spring	4		
3	JD22	Wheel Bolt	8		
4	T10581	Lock Nut	4		
5	UC13514	Sleeve	4		
6	TCU26302	Hub	2		Disk
7	19H3778	Screw	8		1/2" X 2-1/2"
8	M96706	Cap	2		
9	AUC10534	Repair Kit	2		Not Illustrated, Brake

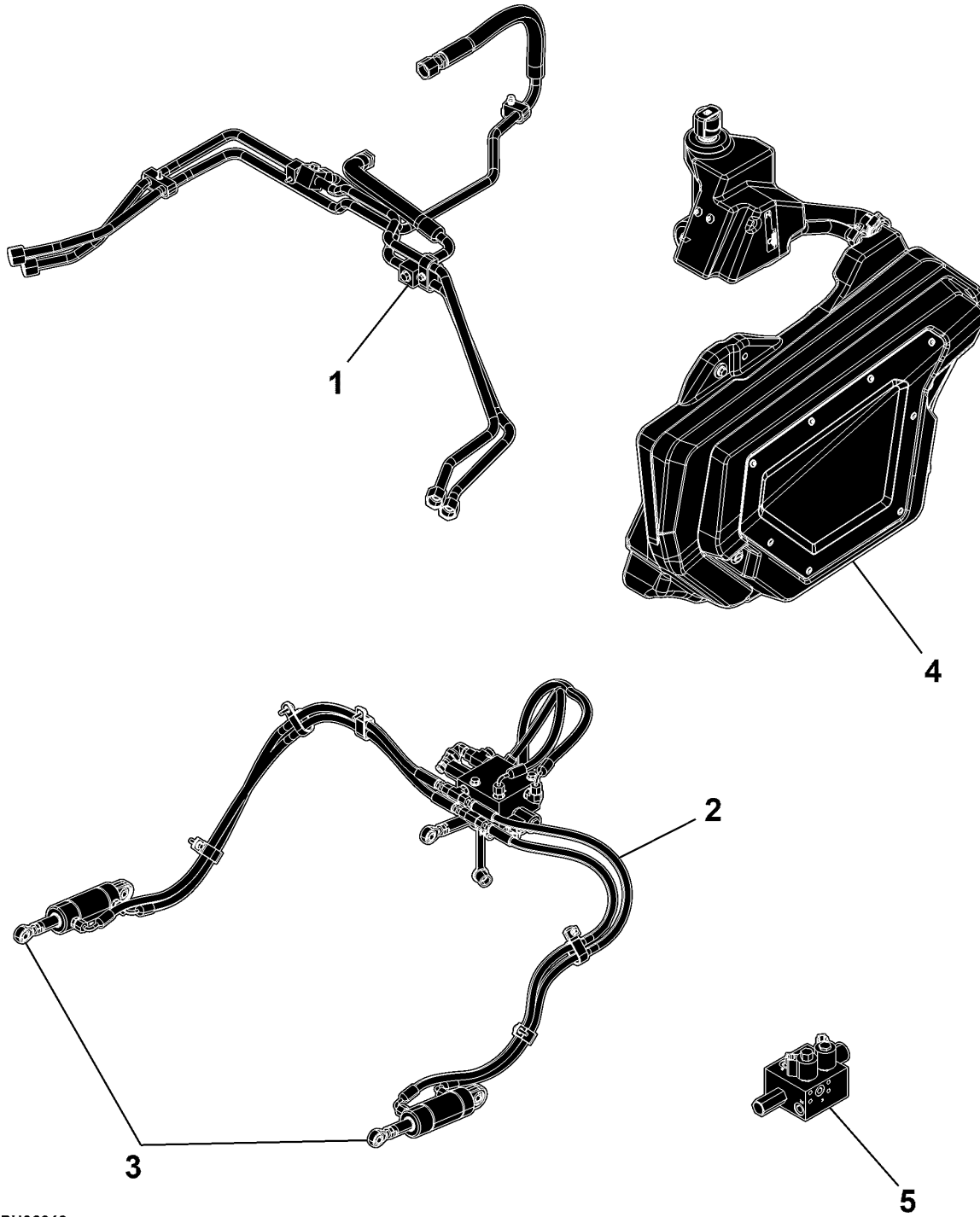
---



Sectional Pictorial Index  
 Index d'illustrations par sections.  
 Gruppenbildindex  
 Índice ilustrado delle sezioni  
 Índice de ilustraciones por secciones  
 Avsnittsbildregister

PU38812 A.1

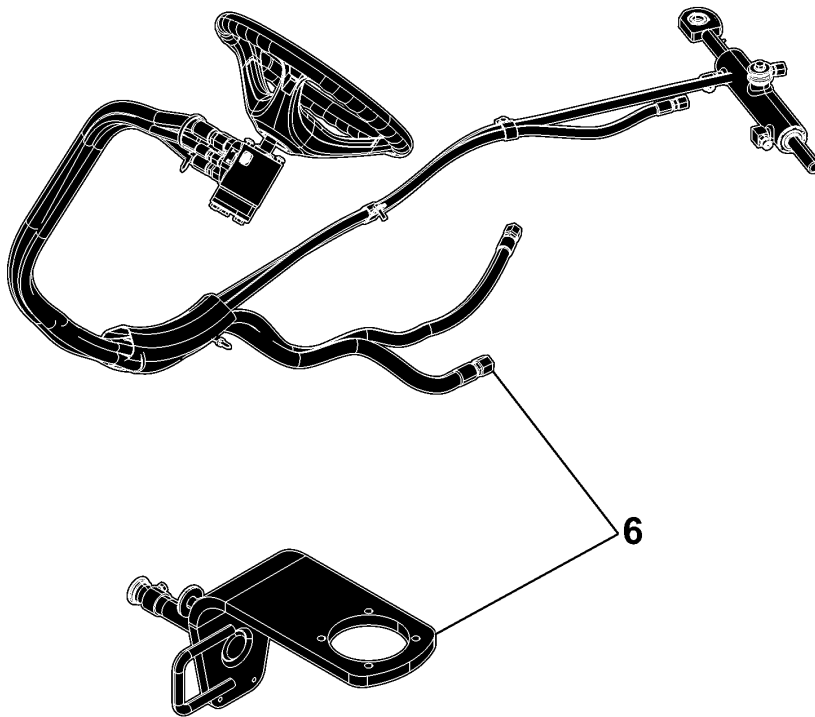
1-	160
2-	162
3-	164
4-	166
5-	168



PU38812

Sectional Pictorial Index  
Index d'illustrations par sections.  
Gruppenbildindex  
Indice illustrato delle sezioni  
Índice de ilustraciones por secciones  
Avsnittsbildregister

PU38813 A.1

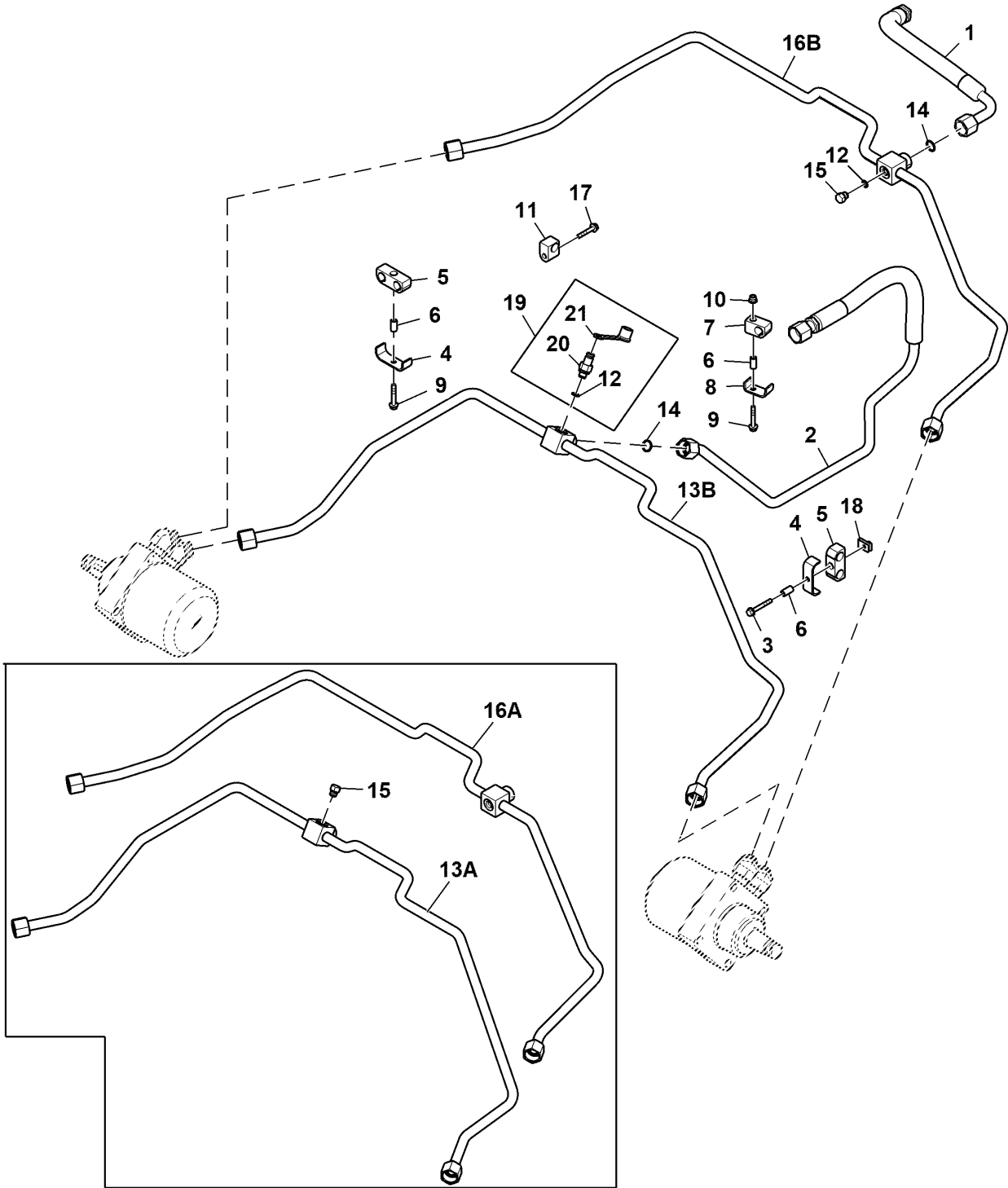


PU38813



Hydraulic Oil Lines and Hoses, Brakes  
Hydraulic Oil Lines and Hoses, Brakes  
Hydraulic Oil Lines and Hoses, Brakes  
Hydraulic Oil Lines and Hoses, Brakes  
Hydraulic Oil Lines and Hoses, Brakes  
Hydraulic Oil Lines and Hoses, Brakes

PU46722 A.1



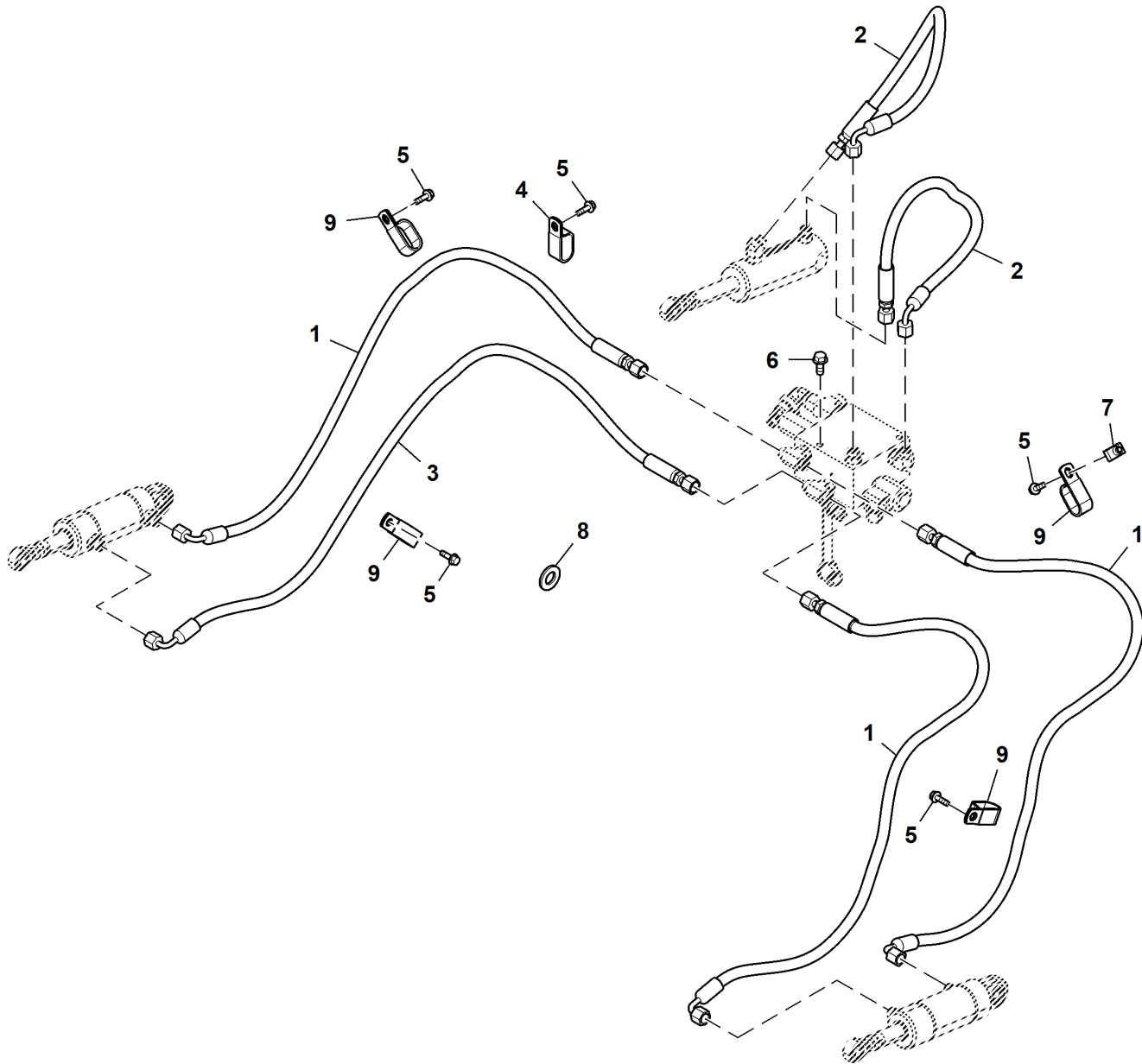
PU46722



Key	Part No.	Part Name	Qty.	Serial No.	Remarks
1	AUC20072	Hydraulic Hose	1		Traction Supply Forward, SUB FOR AUC10914
2	AUC18578	Oil Line	1		SUB FOR AUC10955, Traction Supply Reverse
3	19M8321	Screw	1		M6 X 45
4	R184062	Clamp	2		
5	R184067	Clamp	2		
6	TCU34008	Bushing	3		
7	R309931	Block Clamp	1		
8	R305041	Clamp	1		
9	19M7797	Screw	2		M6 X 40
10	14M7397	Lock Nut	1		M6
11	H112162	Clamp	1		
12	R28782	O-Ring	2		
13A	AUC10927	Oil Line	1	-020000	ORDER AUC17954; ALSO ORDER AUC17952, Traction Supply Reverse
13B	AUC20070	Oil Line	1	020001-	Traction Supply Reverse, SUB FOR AUC17954
14	T77932	O-Ring	2		
15	64H1002	Drain Plug	2	-020000	
	64H1002	Drain Plug	1	020001-	
16A	AUC10926	Oil Line	1	-020000	ORDER AUC17952; ALSO ORDER AUC17954, Traction Supply Forward
16B	AUC20071	Oil Line	1	020001-	Traction Supply Forward, SUB FOR AUC17952
17	19M7833	Screw	1		M6 X 35
18	M84972	Nut	1		
19	AUC18103	Fitting	1	020001-	Instrumentation
20	XPD341	Diagnostic Coupling	1	020001-	
21	R77175	Cover	1	020001-	Dust

Hydraulic Hoses, Lift System  
Hydraulic Hoses, Lift System  
Hydraulic Hoses, Lift System  
Hydraulic Hoses, Lift System  
Hydraulic Hoses, Lift System  
Hydraulic Hoses, Lift System

TC563544 A.1

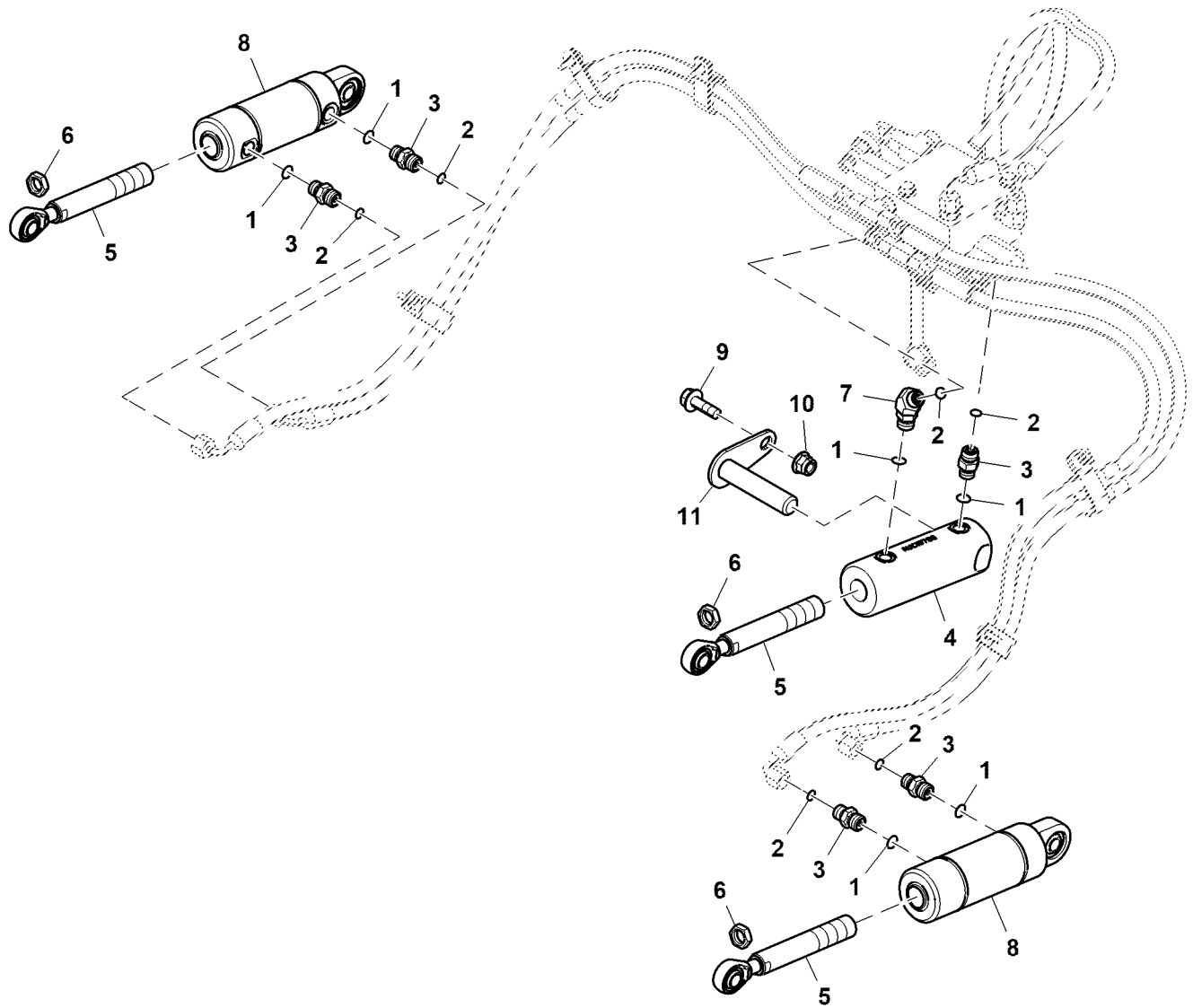


TC563544

Key	Part No.	Part Name	Qty.	Serial No.	Remarks
1	AUC19835	Hydraulic Hose	3		SUB FOR AUC10921, Lift Valve to Front Cylinder
2	AUC19836	Hydraulic Hose	2		SUB FOR AUC10923, Rear Cylinder to Lift Valve
3	AUC19834	Hydraulic Hose	1		ORDER AUC22525; SUB FOR AUC10973, Front Cylinder Rod to Lift Valve
4	AUC22525	Hydraulic Hose	1		9/16" X 1087 mm (42-3/4") X 9/16"
	R49921	Clamp	1		
5	19M7862	Screw	5		M6 X 20
6	19M7866	Screw	2		M8 X 20
7	M84972	Nut	1		
8	24M7028	Washer	2		10.500 X 20 X 2 mm
9	F122159	Clamp	4		

Hydraulic Lift Cylinders  
Hydraulic Lift Cylinders  
Hydraulic Lift Cylinders  
Hydraulic Lift Cylinders  
Hydraulic Lift Cylinders  
Hydraulic Lift Cylinders

PU43464 A.1

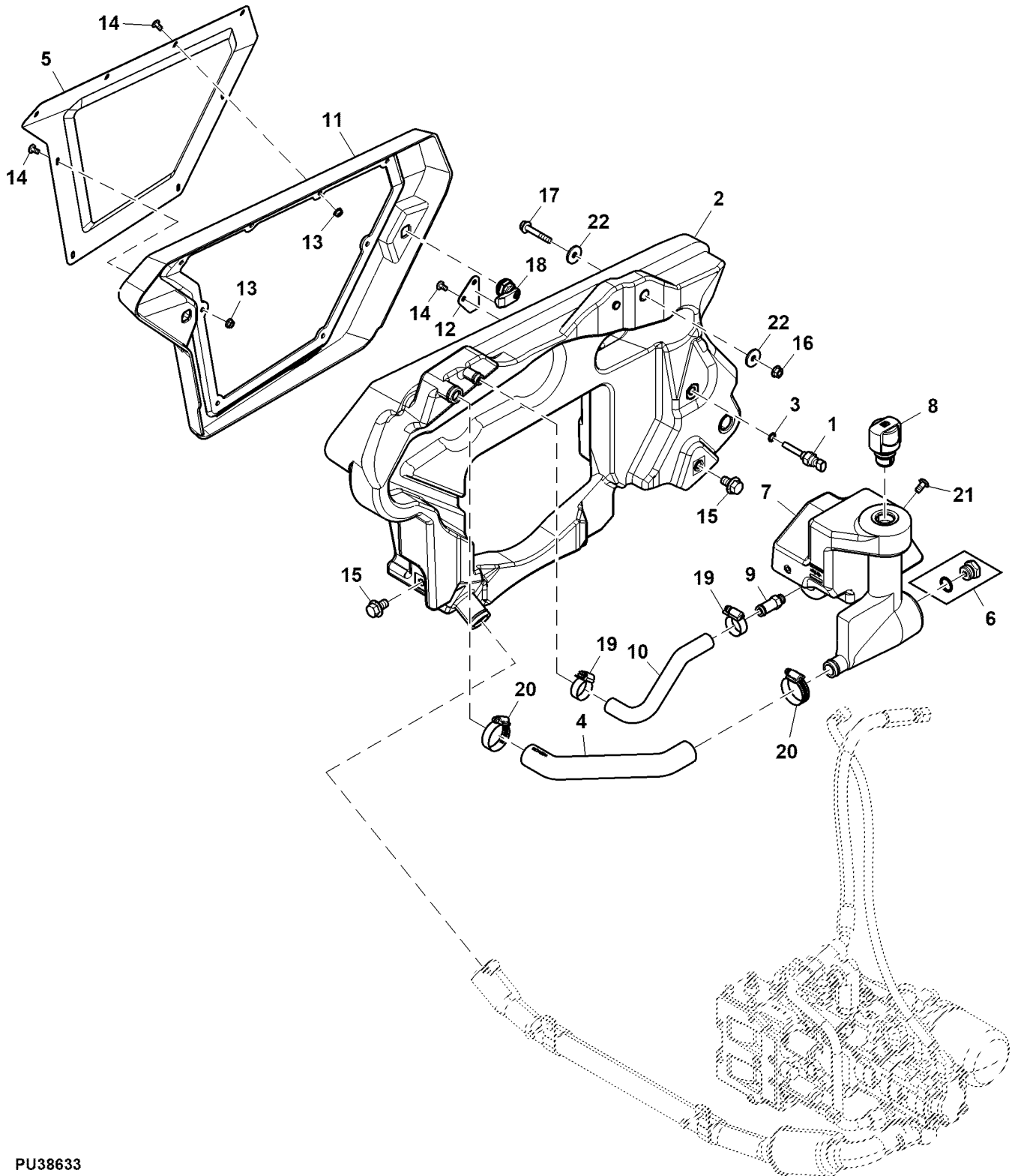


PU43464

Key	Part No.	Part Name	Qty.	Serial No.	Remarks
1	R28782	O-Ring	6		
2	T77814	O-Ring	6		
3	38H3159	Adapter Fitting	5		SUB FOR APPL 38H1159
4	AUC15308	Hydraulic Cylinder	1		Lift Cylinder, Rear
5	AUC15309	Link End	3		
6	14M7537	Nut	3		M12
7	38H3044	Elbow Fitting	1		SUB FOR APPL 38H1044
8	AUC15307	Hydraulic Cylinder	2		Lift Cylinder, Front
9	19M7867	Screw	1		M8 X 25
10	14M7396	Lock Nut	1		M8
11	FH330270	Pin	1		SUB FOR AUC14194

Hydraulic Reservoir  
Hydraulic Reservoir  
Hydraulic Reservoir  
Hydraulic Reservoir  
Hydraulic Reservoir  
Hydraulic Reservoir

PU38633 A.1

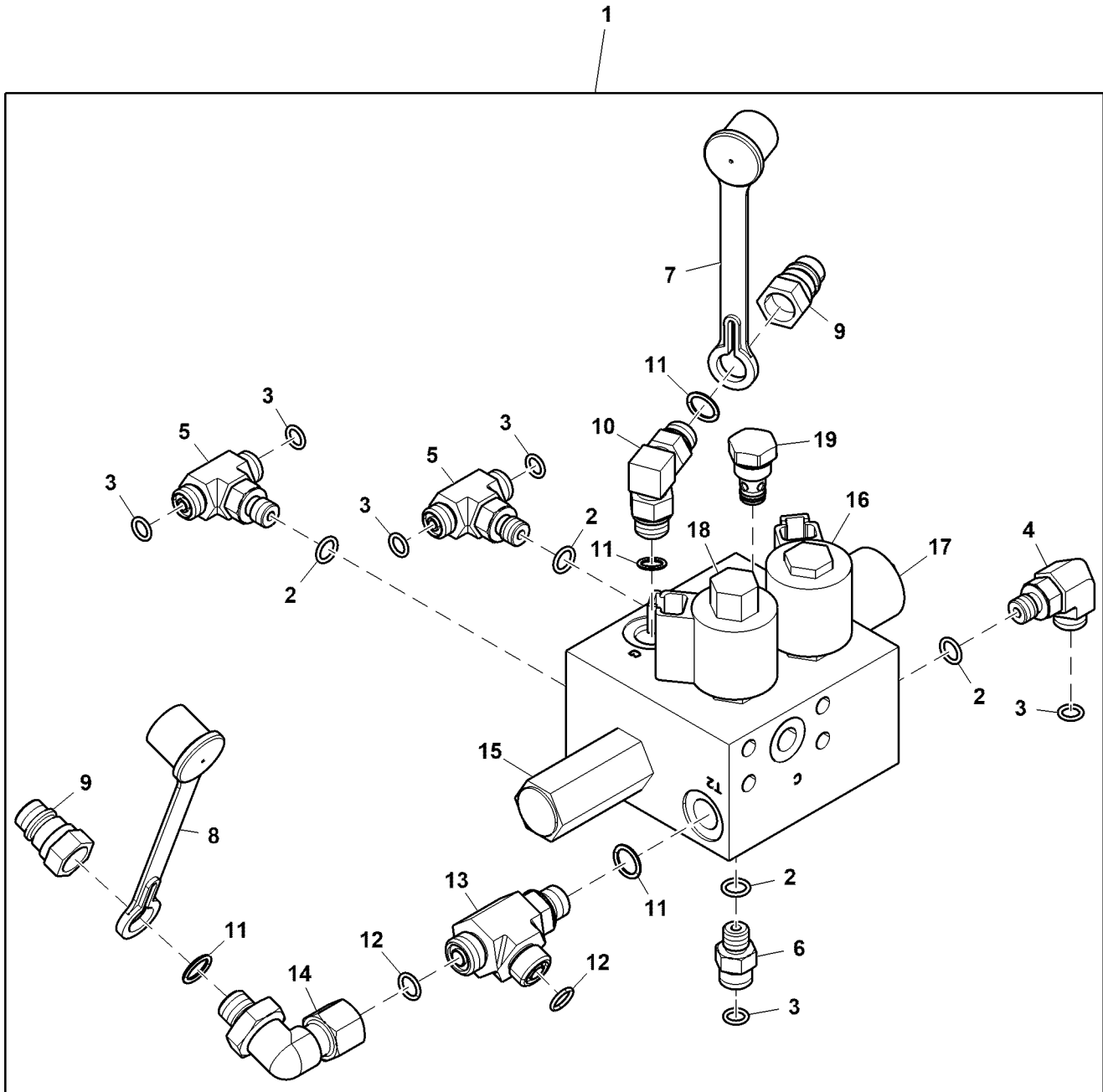


PU38633

Key	Part No.	Part Name	Qty.	Serial No.	Remarks
1	RE151433	Temperature Sensor	1		
2	UC12163	Hydraulic Reservoir	1		
3	R26286	O-Ring	1		
4	UC14984	Hydraulic Hose	1		Main Tank to Auxiliary Tank
5	UC12269	Screen	1		Engine Screen Oil Cooler
6	AT409249	Drain Plug	1		
7	UC15313	Tank	1		Auxiliary Hydraulic
8	AUC11396	Filler Cap	1		
9	TCA14164	Elbow Fitting	1		
10	UC14983	Hydraulic Hose	1		Main Tank to Breather
11	UC12268	Cover	1		Engine Screen Oil Cooler
12	UC16565	Bracket	2		Cover Mount
13	14M7303	Flange Nut	8		M6
14	19M8851	Screw	12		M6 X 12
15	19M7787	Screw	2		M12 X 20
16	14M7298	Flange Nut	1		M8
17	19M7800	Screw	1		M8 X 50
18	UC18748	Latch	2		
19	TY22466	Hose Clamp	2		
20	AR21839	Hose Clamp	2		
21	L219002	Screw	2		
22	24M7024	Washer	2		9 X 28 X 3 mm

Solenoid Hydraulic Valve, Lift System  
 Solenoid Hydraulic Valve, Lift System  
 Solenoid Hydraulic Valve, Lift System  
 Solenoid Hydraulic Valve, Lift System  
 Solenoid Hydraulic Valve, Lift System  
 Solenoid Hydraulic Valve, Lift System

PU40678 A.1



PU40678

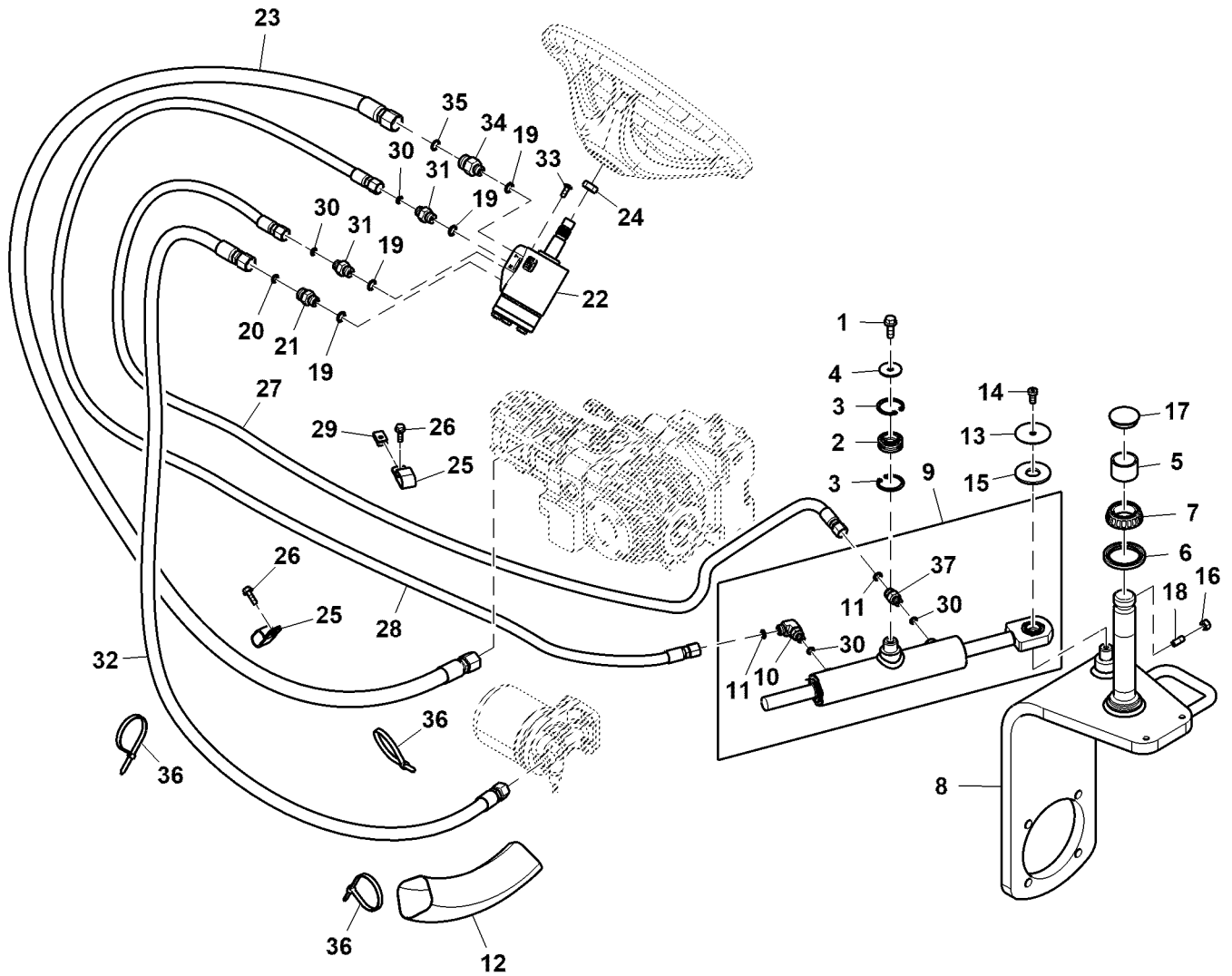


Key	Part No.	Part Name	Qty.	Serial No.	Remarks
1	AUC19833	Kit	1		SUB FOR AUC10120, Lift Valve
2	R28782	O-Ring	4		
3	T77814	O-Ring	6		
4	38H3003	Adapter Fitting	1		USE WITH AUC19833
	38H1003	Elbow Fitting	1		USE WITH AUC10120
5	38H3015	Tee Fitting	2		USE WITH AUC19833
	38H1015	Tee Fitting	2		USE WITH AUC10120
6	38H3159	Adapter Fitting	1		USE WITH AUC19833
	38H1159	Adapter Fitting	1		USE WITH AUC10120
7	M132021	Cap	1		Yellow
8	M132022	Cap	1		Silver
9	AM102420	Hydr. Quick Coupler Plug	2		
10	DC201209	Elbow Fitting	1		
11	R26448	O-Ring	4		
12	T77613	O-Ring	2		
13	38H3023	Tee Fitting	1		USE WITH AUC19833
	38H1023	Tee Fitting	1		USE WITH AUC10120
14	38H3548	Elbow Fitting	1		
15	AUC15677	Pressure Relief Valve	1		RV1, INCLUDES AT224862
16	AUC15678	Solenoid Hydraulic Valve	1		SP1, INCLUDES AH228044 AND AT224862, Blue Mark
17	AH211224	Valve	1		SV2, INCLUDES AT333812 AND AH209116, Catridge, Yellow Mark
18	AT381999	Solenoid Valve	1		SV1, INCLUDES AT333812 AND AT224862, Green Mark
19	DE19757	Valve	1		CV1, INCLUDES AT224862
20	AT224862	Seal Kit	4		Not Illustrated
21	AH228044	Solenoid Valve Coil	1		Not Illustrated
22	AT333812	Solenoid Valve Coil	2		Not Illustrated
23	AH209116	Seal Kit	1		Not Illustrated

Hydraulic Oil Lines and Hoses, Steering  
 Hydraulic Oil Lines and Hoses, Steering  
 Hydraulic Oil Lines and Hoses, Steering  
 Hydraulic Oil Lines and Hoses, Steering  
 Hydraulic Oil Lines and Hoses, Steering



PU39109 A.1



PU39109

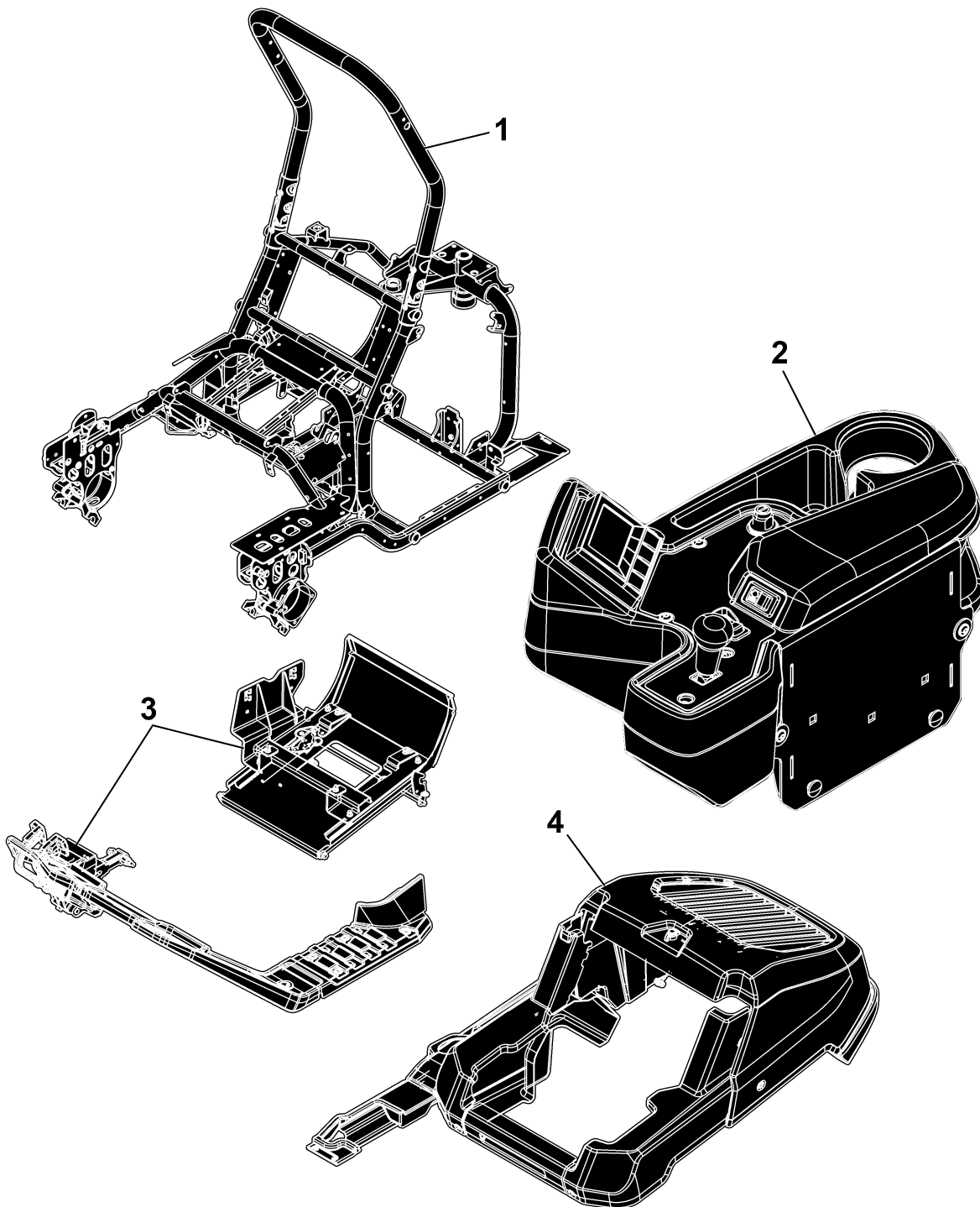
Key	Part No.	Part Name	Qty.	Serial No.	Remarks
1	19M7867	Screw	1		M8 X 25
2	AH227761	Self-Aligning Bushing	1		
3	40M7199	Snap Ring	2		
4	24H1657	Washer	1		21/64" X 1-1/4" X 7/64"
5	E4245E	Bushing	1		
6	AH98118	Seal	1		
7	JD8187	Bearing Cone	1		
8	AUC10961	Rear Axle Support	1		
9	AUC13769	Cylinder	1		ORDER AUC15306
	AUC15306	Hydraulic Cylinder	1		INCLUDES AUC15305
10	38H1003	Elbow Fitting	1	-040000	
	38H3003	Adapter Fitting	1	040001-	
11	R28782	O-Ring	2		
12	R313872	Hose Guard	1		Heater
13	24H1297	Washer	1		11/32" X 2" X 0.065"
14	19M7761	Screw	1		M8 X 16
15	24H1236	Washer	1		13/16" X 2" X 0.149"
16	14H650	Nut	1		5/16"
17	A22836	Cap	1		
18	22H1015	Set Screw	1		5/16" X 7/8"
19	R26448	O-Ring	4		
20	T77613	O-Ring	1		
21	38H1160	Adapter Fitting	1	-040000	
	38H3160	Adapter Fitting	1	040001-	
22	AUC10913	Valve	1		INCLUDES AUC15758
23	AUC19862	Hydraulic Hose	1		SUB FOR AUC10642, Steering Valve to Filter
24	14H866	Nut	1		5/8"
25	M45242	Clamp	2		
26	19M7862	Screw	2		M6 X 20
27	AUC19861	Hydraulic Hose	1		SUB FOR AUC12824, Steering Valve to Hydraulic Cylinder
28	AUC19864	Hydraulic Hose	1		SUB FOR AUC10641, Steering to Hydraulic Cylinder
29	M84972	Nut	1		
30	T77814	O-Ring	4		
31	38H1168	Adapter Fitting	2	-040000	
	38H3168	Adapter Fitting	2	040001-	
32	AUC19863	Hydraulic Hose	1		SUB FOR AUC10643, Steering to Hydraulic Pump
33	L151020	Screw	4		M6 X 16
34	38H1173	Adapter Fitting	1	-040000	
	38H3173	Adapter Fitting	1	040001-	
35	T77857	O-Ring	1		
36	E73003	Tie Band	3		
37	38H1159	Adapter Fitting	1	-040000	
	38H3159	Adapter Fitting	1	040001-	
38	AUC15305	Seal Kit	1		USE WITH AUC15305, For Cylinder, Not Illustrated
39	AUC15758	Seal Kit	1		USE WITH AUC10913, For Valve, Not Illustrated



Sectional Pictorial Index  
 Index d'illustrations par sections.  
 Gruppenbildindex  
 Indice illustrato delle sezioni  
 Índice de ilustraciones por secciones  
 Avsnittsbildregister

1-	176
2-	178
3-	180
4-	182

PU40931 A.1

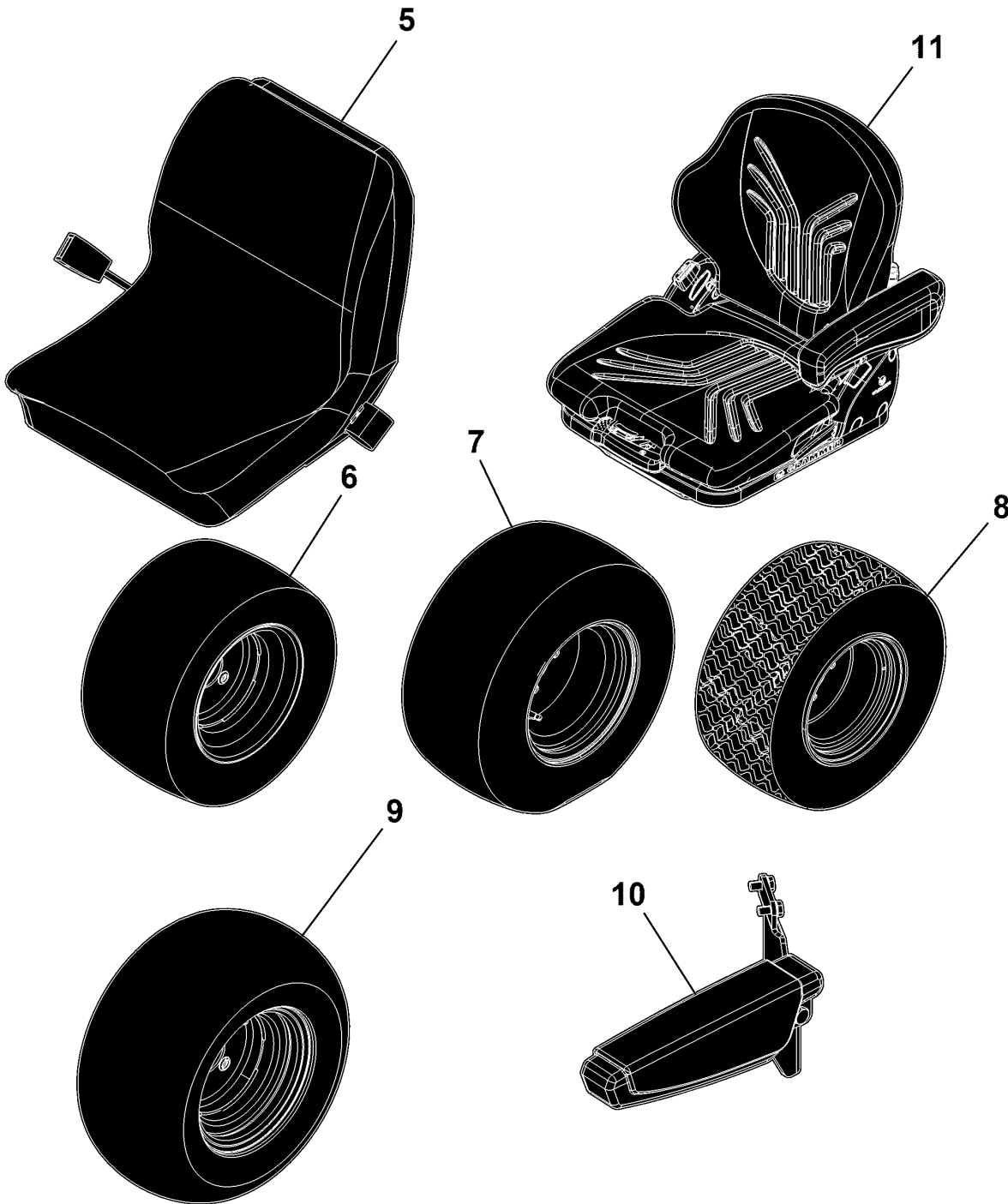


PU40931

Sectional Pictorial Index  
 Index d'illustrations par sections.  
 Gruppenbildindex  
 Indice illustrato delle sezioni  
 Índice de ilustraciones por secciones  
 Avsnittsbildregister

PU39387 A.1

5-	184
6-	193
7-	187
8-	188
9-	190
10-	192
11-	186

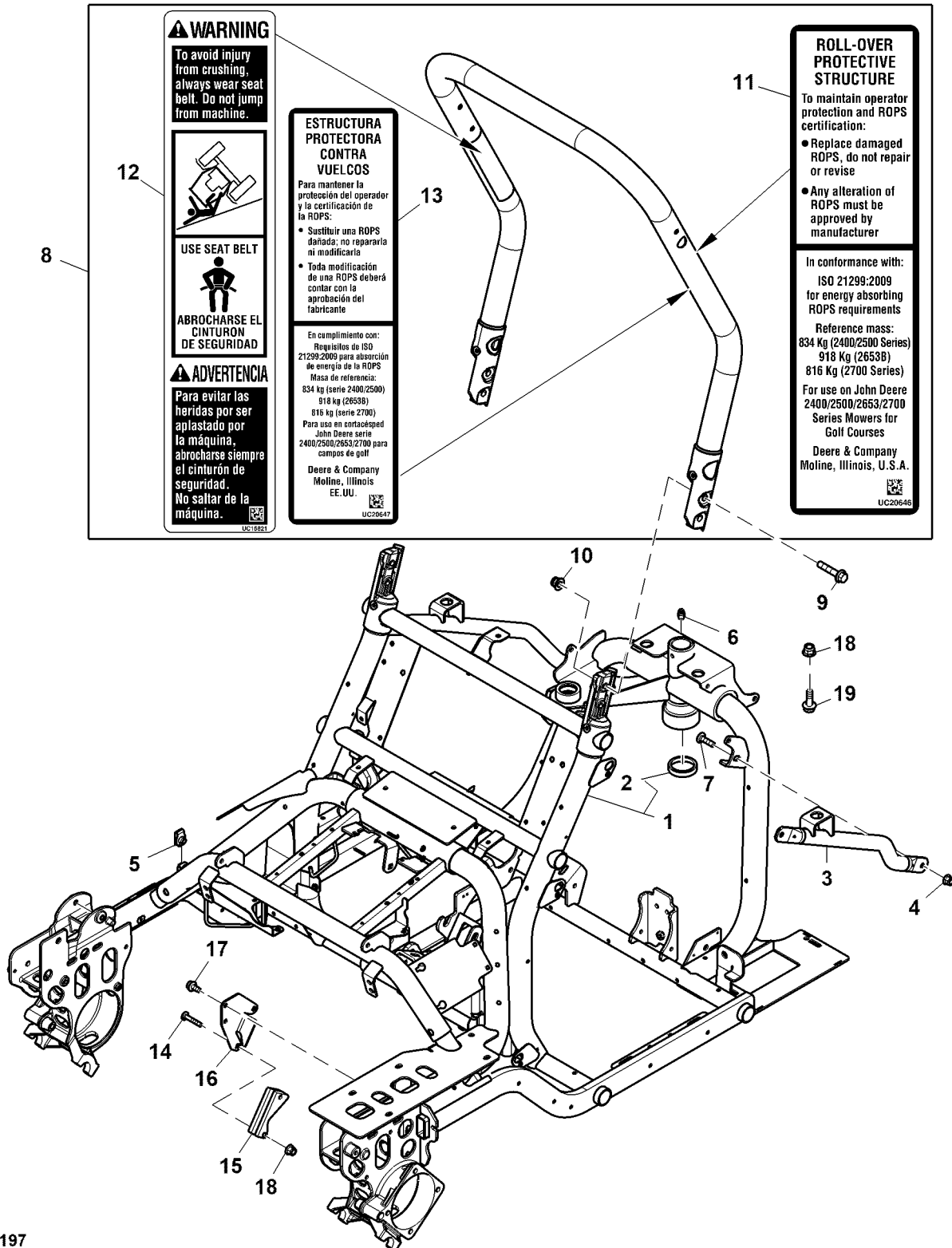


PU39387



Frame and Rollover Protective Structure  
 Frame and Rollover Protective Structure  
 Frame and Rollover Protective Structure  
 Frame and Rollover Protective Structure  
 Frame and Rollover Protective Structure  
 Frame and Rollover Protective Structure

PU51197 A.1



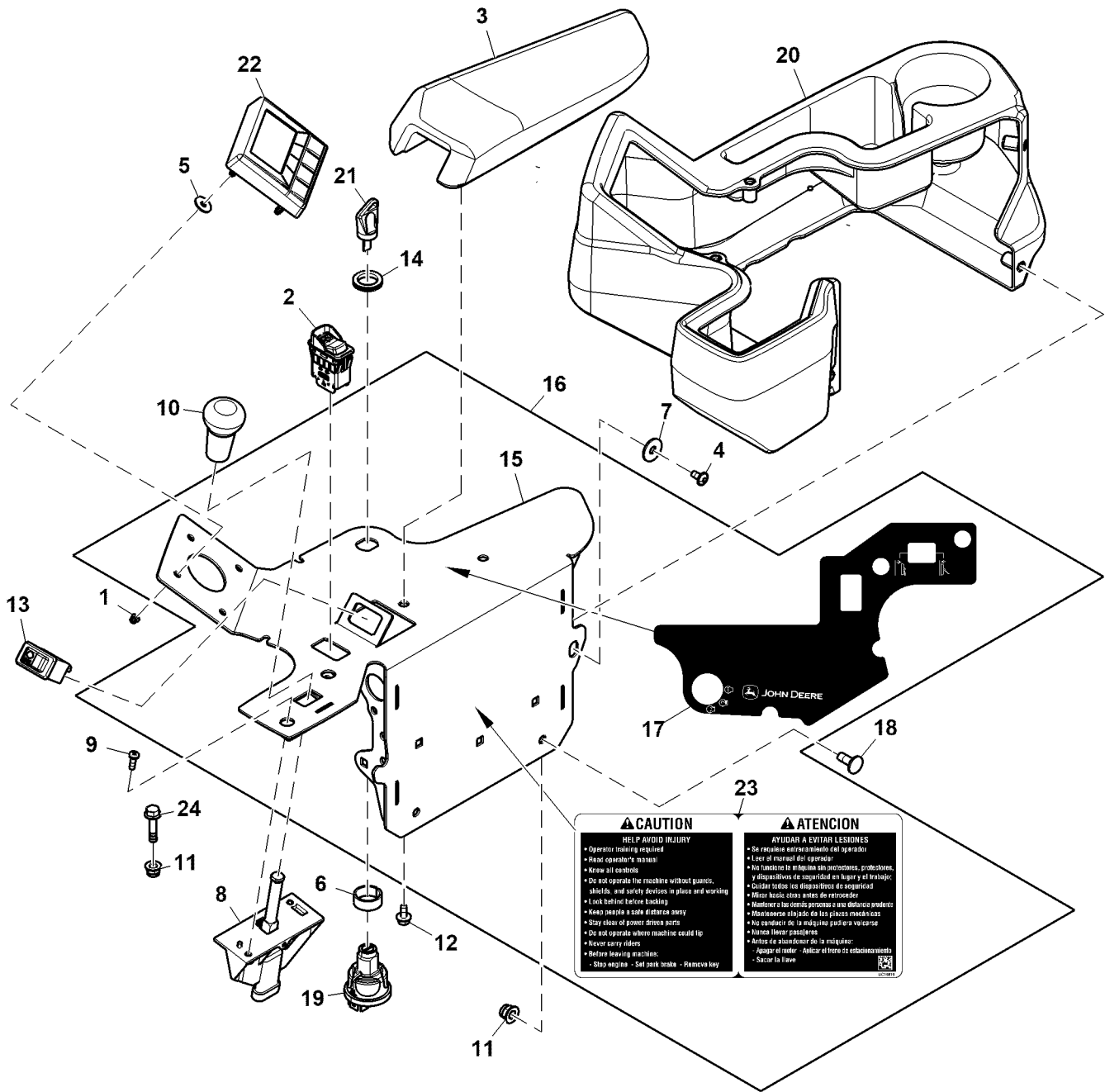
PU51197



Key	Part No.	Part Name	Qty.	Serial No.	Remarks
1	AUC20563	Main Frame	1		SUB FOR AUC10553
2	JD8225	Bearing Cup	1		
3	AUC11047	Bracket	1		Radiator Support
4	14M7465	Lock Nut	2		M10
5	H143834	Nut	1		
6	JD7844	Lubrication Fitting	1		
7	03M7238	Bolt	2		M10 X 35
8	AUC17235	ROPS	1		
9	19M7815	Screw	4		M12 X 60
10	14M7401	Lock Nut	4		M12
11	UC20646	Label	1		Rollover Protective Structure
12	UC15821	Label	1		Warning, Seat Belt, English / Spanish
13	UC20647	Label	1		Rollover Protective Structure, Spanish
14	03M7189	Bolt	2	020001-	M8 X 45
15	MT1479	Guide	1	020001-	Yoke Stop
16	UC28299	Bracket	1	020001-	Up-Stop
17	19M7866	Screw	2	020001-	M8 X 20
18	14M7396	Lock Nut	4	020001-	M8
19	19M7867	Screw	4		M8 X 25

Operator Console  
 Operator Console  
 Operator Console  
 Operator Console  
 Operator Console  
 Operator Console

PU51196 A.1



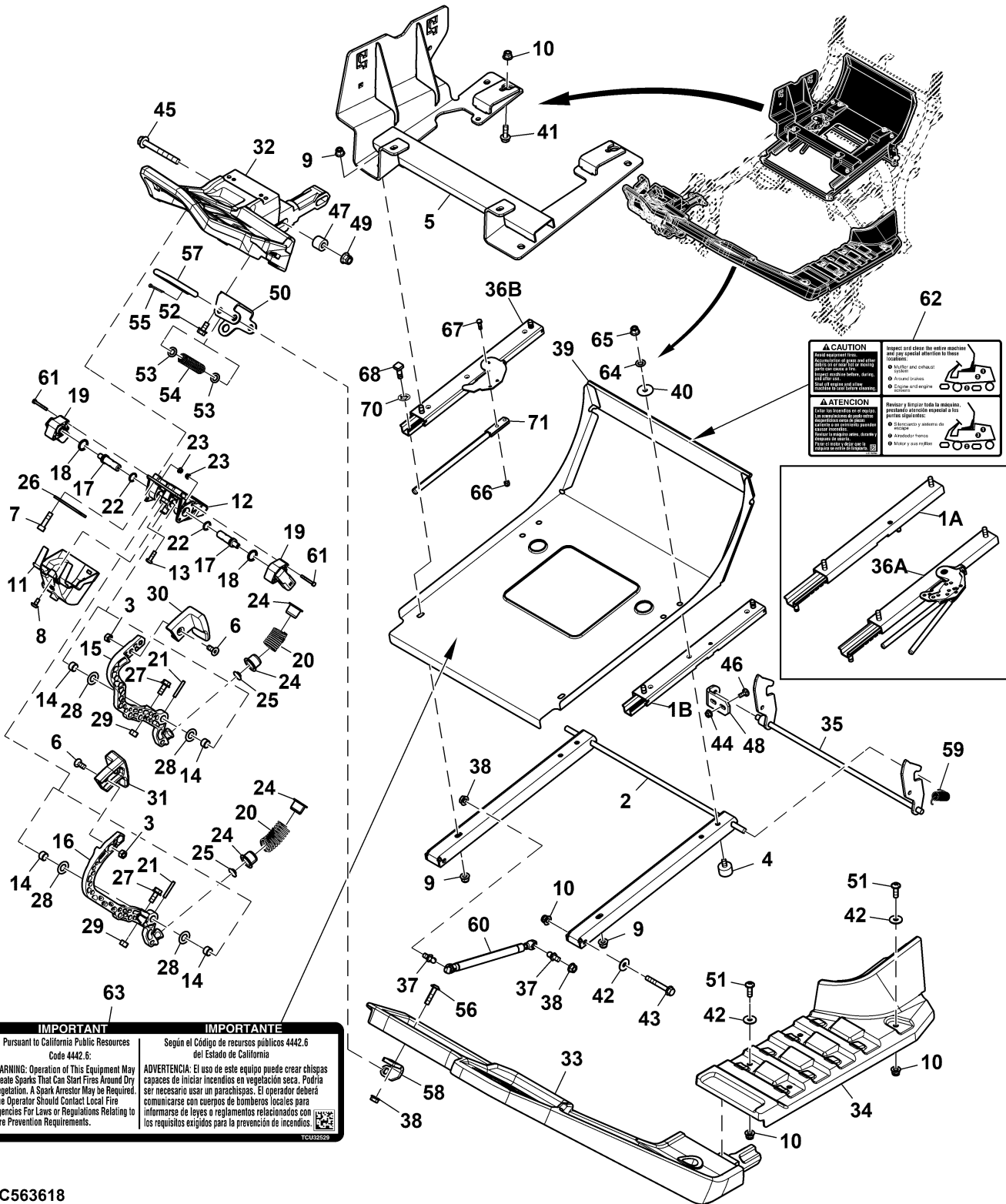
⚠ CAUTION	⚠ ATENCION
<b>HELP AVOID INJURY</b>	<b>AYUDAR A EVITAR LESIONES</b>
<ul style="list-style-type: none"> <li>• Operator training required</li> <li>• Read operator's manual</li> <li>• Know all controls</li> <li>• Do not operate the machine without guards, shields, and safety devices in place and working</li> <li>• Look behind before backing</li> <li>• Keep people a safe distance away</li> <li>• Stay clear of power drive parts</li> <li>• Do not operate where machine could tip</li> <li>• Never carry riders</li> <li>• Before leaving machine:                         <ul style="list-style-type: none"> <li>- Stop engine - Set park brake - Remove key</li> </ul> </li> </ul>	<ul style="list-style-type: none"> <li>• Se requiere entrenamiento del operador</li> <li>• Leer el manual del operador</li> <li>• No operar la máquina sin protecciones, protecciones, y dispositivos de seguridad en lugar y en trabajo</li> <li>• Distar todos los dispositivos de seguridad</li> <li>• Mirar hacia atrás antes de retroceder</li> <li>• Mantener a las personas a una distancia prudente</li> <li>• Mantenerse alejado de las partes mecánicas</li> <li>• No conducir de la máquina cuando va cargada</li> <li>• Nunca llevar pasajeros</li> <li>• Antes de abandonar de la máquina:                         <ul style="list-style-type: none"> <li>- Apagar el motor - Aplicar el freno de estacionamiento - Sacar la llave</li> </ul> </li> </ul>

PU51196

Key	Part No.	Part Name	Qty.	Serial No.	Remarks
1	14M7397	Lock Nut	4		M6
2	TCA21401	Toggle/Rocker Switch	1		PTO
3	TCA18525	Armrest	1		
4	19M8851	Screw	5		M6 X 12
5	24M7139	Washer	4		6.400 X 18 X 1.600 mm
6	M72685	Spacer	1		
7	24M7260	Washer	2		8.400 X 24 X 2 mm
8	TCA25980	Switch	1		Raise / Lower
9	21M7309	Screw	2		M5 X 16
10	TCU23928	Knob	1		Raise / Lower
11	14M7396	Lock Nut	5		M8
12	19M7774	Screw	2		M6 X 12
13	AM117324	Switch	1		High Beam Lights
14	M110159	Nut	1		
15	AUC10968	Console	1		ORDER AUC17237
16	AUC17237	Console	1		
17	UC27397	Label	1		SUB FOR APPL UC16777, Command Arm
18	03M7184	Bolt	2		M8 X 20
19	AUC18708	Rotary Switch	1		SUB FOR AUC15805, Ignition
20	UC22494	Cover	1		Command Arm
21	AUC12681	Key	2		
22	AUC20270	Digital Display	1		SUB FOR TCA21908
23	UC15819	Label	1		Caution, English / Spanish
24	19M7897	Screw	4		M8 X 35
25	14M7255	Nut	2		M6

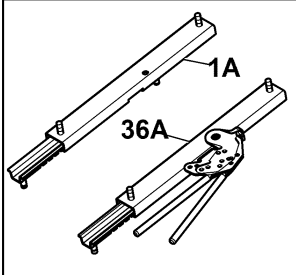
Operator Station Seat Base, Pedals  
 Operator Station Seat Base, Pedals  
 Operator Station Seat Base, Pedals  
 Operator Station Seat Base, Pedals  
 Operator Station Seat Base, Pedals  
 Operator Station Seat Base, Pedals

TC563618 A.1



**CAUTION**  
 Always use proper technique when operating the machine and use proper attention to these cautions:  
 • Always use correct technique when operating the machine.  
 • Always use proper technique when operating the machine.  
 • Always use proper technique when operating the machine.

**ATENCIÓN**  
 Para las funciones de operación de este equipo, asegúrese de utilizar la técnica adecuada y prestar especial atención a las precauciones siguientes:  
 • Siempre utilice la técnica adecuada al operar el equipo.  
 • Siempre utilice la técnica adecuada al operar el equipo.  
 • Siempre utilice la técnica adecuada al operar el equipo.



**IMPORTANT**  
 Pursuant to California Public Resources Code 4442.6:  
**WARNING:** Operation of This Equipment May Create Sparks That Can Start Fires Around Dry Vegetation. A Spark Arrestor May be Required. The Operator Should Contact Local Fire Agencies For Laws or Regulations Relating to Fire Prevention Requirements.

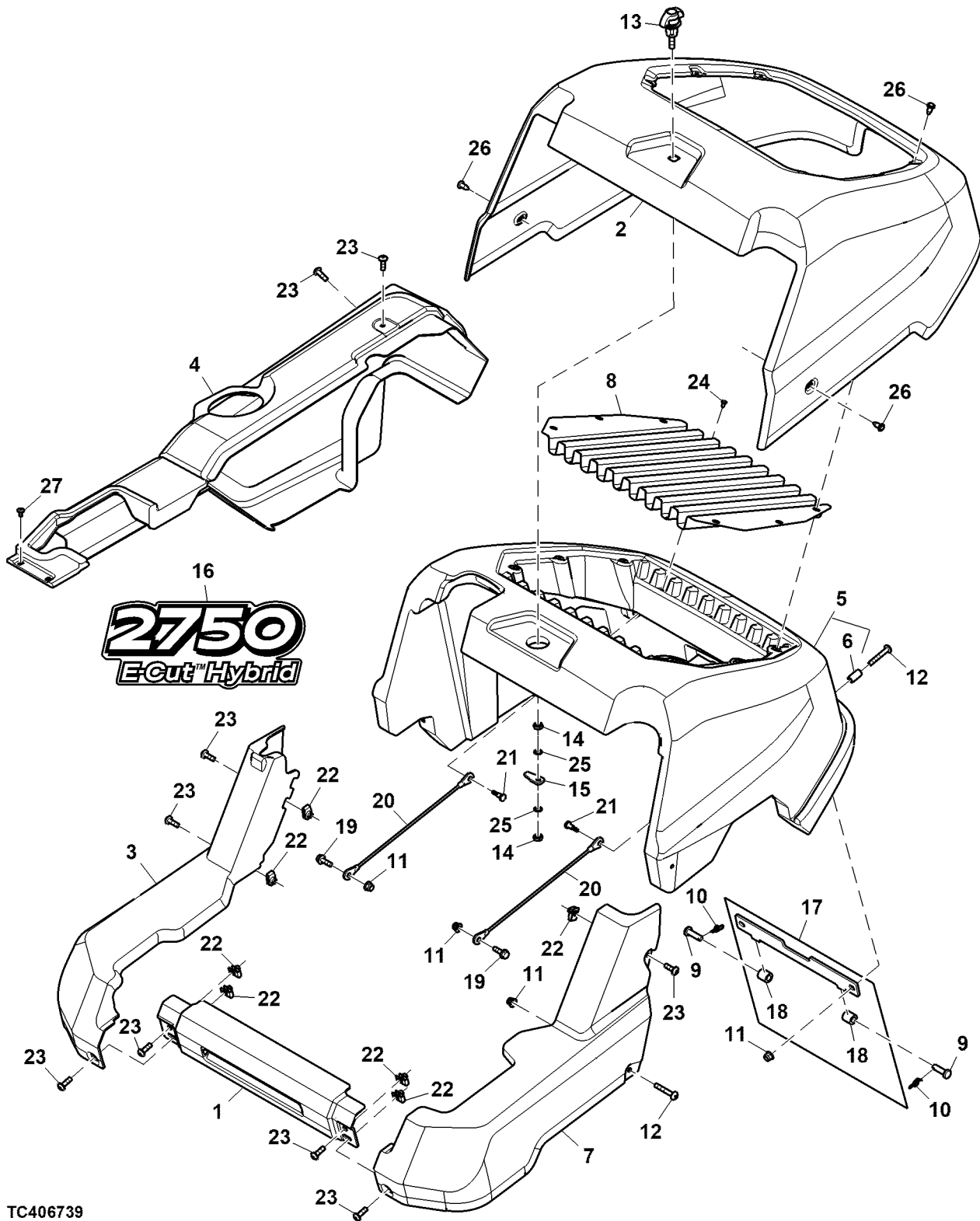
**IMPORTANTE**  
 Según el Código de recursos públicos 4442.6 del Estado de California  
**ADVERTENCIA:** El uso de este equipo puede crear chispas capaces de iniciar incendios en vegetación seca. Podría ser necesario usar un parachispas. El operador deberá comunicarse con cuerpos de bomberos locales para informarse de leyes o reglamentos relacionados con los requisitos exigidos para la prevención de incendios.

TC563618

Key	Part No.	Part Name	Qty.	Serial No.	Remarks
1A	AM103001	Adjuster	1	-040000	LH
1B	AM137075	Adjuster	1	040001-	LH
2	AUC10958	Support	1		
3	14M7273	Nut	2		M8
4	TCU21447	Bumper	2		
5	AUC17756	Support	1		SUB FOR AUC10960, Seat Base
6	19M7573	Screw	2		M8 X 20
7	19M9872	Socket Head Screw	3		M8 X 30
8	LVU15947	Screw	1		
9	H110730	Flange Nut	10	-040000	
	TCU14151	Nut	4	040001-	
10	14M7396	Lock Nut	10		M8
11	LVU25016	Cover	1		Pedal
12	LVA18343	Housing	1		INCLUDES 37M7481
13	37M7481	Screw	2		M6 X 20
14	LVU25401	Bushing	4		
15	LVU24890	Lever	1		Forward
16	LVU24891	Lever	1		Reverse
17	LVU24889	Axle	2		
18	P48347	O-Ring	2		
19	LVA23231	Sensor	2		Rotary Position
20	LVU25407	Spring	2		Compression
21	34M7214	Spring Pin	2		5 X 35 mm
22	LVU24911	O-Ring	2		
23	M136173	Lock Nut	4		
24	LVU25738	Bushing	4		
25	LVU25021	Bumper	2		
26	LVU24918	Plate	1		
27	19M7866	Screw	2		M8 X 20
28	LVU25399	Washer	4		
29	14M7327	Lock Nut	2		M8
30	UC13617	Pedal	1		Forward
31	UC13618	Pedal	1		Reverse
32	UC14127	Support	1		Foot Platform, RH
33	UC14126	Support	1		Foot Platform, LH
34	UC12314	Platform	1		Step
35	AUC12955	Latch	1		Seat Pan
36A	TCA18757	Adjuster	1	-040000	W/ Latch, RH
36B	AM137076	Adjuster	1	040001-	W/ Latch, RH
37	KV14594	Ball Stud	2		
38	14M7298	Flange Nut	4		M8
39	UC11845	Plate	1		ORDER AUC17236
40	M79150	Washer	2		
41	19M7867	Screw	4		M8 X 25
42	24M7260	Washer	6		8.400 X 24 X 2 mm
43	19M7801	Screw	2		M8 X 60
44	14M7303	Flange Nut	2		M6
45	19M7811	Screw	1		M10 X 90
46	03M7221	Bolt	2		M6 X 16
47	TCU38353	Bushing	1		
48	TCU16197	Bracket	1		Seat Latch
49	14M7465	Lock Nut	1		M10
50	UC18852	Bracket	1		Pin Retainer
51	L213934	Screw	4		
52	19M7865	Screw	2		M8 X 16
53	24M7096	Washer	2		10.500 X 18 X 1.600 mm
54	M151706	Compression Spring	1		
55	11M7059	Cotter Pin	1		3.200 X 20 mm
56	L218822	Screw	2		
57	UC19825	Spring Locking Pin	1		
58	UC19826	Bracket	1		Foot Platform
59	M127370	Extension Spring	1		
60	AUC15753	Gas Operated Cylinder	1		
61	19M10375	Cap Screw	4		M4 X 35
62	UC15294	Label	1		Cleanout, English / Spanish
63	TCU32529	Label	1		Spark Arrestor
64	12M7032	Lock Washer	2		8.400 mm
65	14H785	Nut	2		5/16"
66	14M7360	Lock Nut	2	040001-	M5
67	19M7372	Cap Screw	2	040001-	M5 X 16
68	UC11225	Bolt	4	040001-	
69	AUC17236	Support	1		INCLUDES UC15294, TCU32529 AND UC11845, Not Illustrated
70	R280791	Push Nut	4		
71	UC36361	Handle	1		SUB FOR UC33021, Seat Slide

Hood and Fender  
Hood and Fender  
Hood and Fender  
Hood and Fender  
Hood and Fender  
Hood and Fender

TC406739 A.1

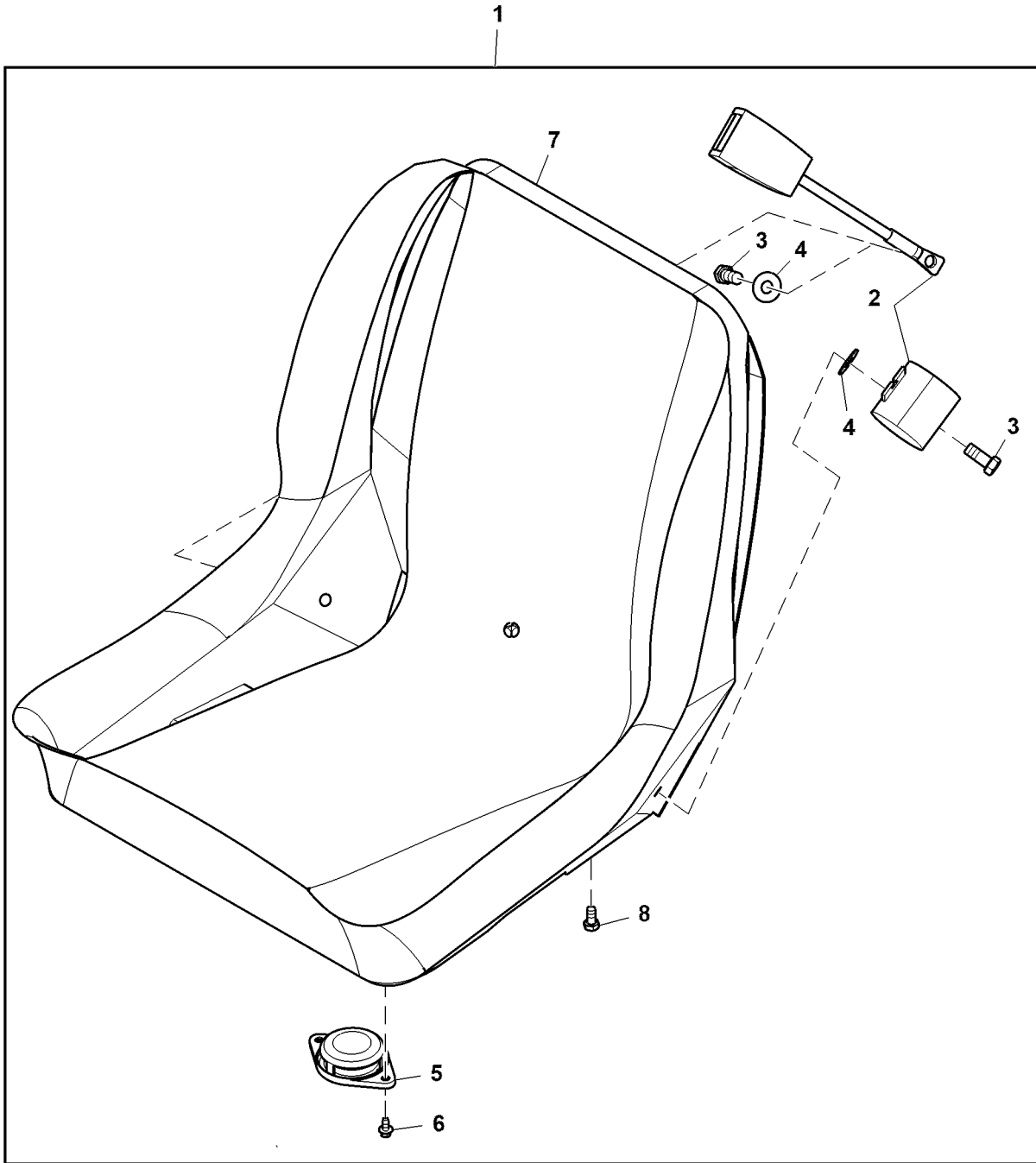


TC406739

Key	Part No.	Part Name	Qty.	Serial No.	Remarks
1	UC15177	Cover	1		Operator Station, Center
2	UC12318	Hood	1		
3	UC12320	Cover	1		Operator Station, RH
4	UC12267	Cover	1		Fuel Tank
5	AUC17239	Air Plenum	1		SUB FOR AUC14676
6	28H3390	Spacer	2		0.364" X 0.540" X 1"
7	UC12319	Cover	1		Operator Station, LH
8	UC12056	Screen	1		Radiator
9	45M7118	Pin Fastener	2		10 X 35 mm
10	TCU33336	Pin	2		
11	14M7396	Lock Nut	5		M8
12	M162957	Screw	3		
13	TCA18031	Latch	1		Hood
14	14M7152	Nut	2		M10
15	TCU25276	Pawl	1		Hood Latch
16	UC20770	Label	2		
17	AUC14295	Hinge	1		Hood
18	M147475	Bushing	2		
19	19M7868	Screw	2		M8 X 30
20	M131476	Cable	2		Tail Gate Support
21	TCU14137	Bolt	2		
22	M84971	Nut	7		
23	L213934	Screw	9		
24	37M7508	Screw	6		
25	TCU14511	Washer	2		
26	T372848	Screw	8		
27	19M8851	Screw	2		M6 X 12

Standard Seat Kit  
Standard Seat Kit  
Standard Seat Kit  
Standard Seat Kit  
Standard Seat Kit  
Standard Seat Kit

PU38363 A.1



PU38363

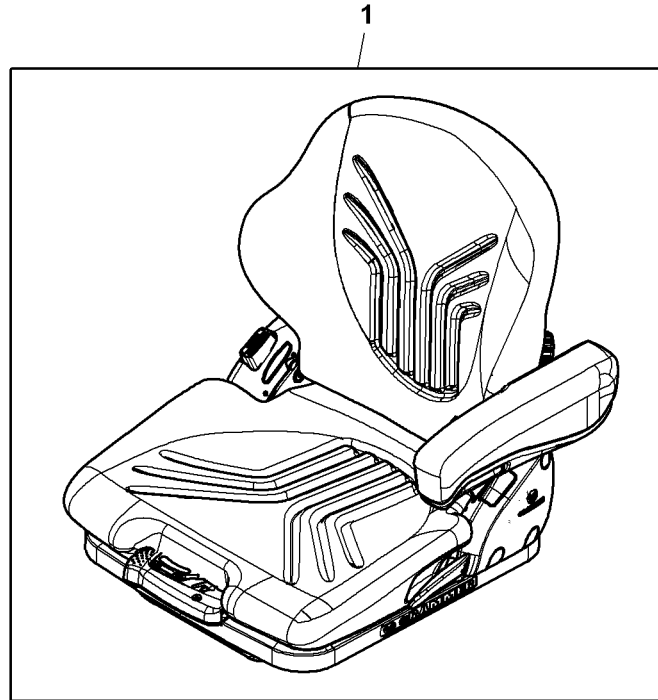


Key	Part No.	Part Name	Qty.	Serial No.	Remarks
1	BTC10757	Seat Kit	1		
2	AL202151	Seat Belt	1		
3	19H2247	Cap Screw	2		7/16" X 1", SUB FOR 19H3547
4	24H1326	Washer	2		15/32" X 1-1/8" X 1/16"
5	AET10449	Switch	1		Operator Presence
6	37M7458	Screw	2		M6 X 12
7	TCA13830	Seat	1		
8	19H1813	Cap Screw	4		5/16" X 5/8"

Deluxe Seat Kit  
 Deluxe Seat Kit  
 Deluxe Seat Kit  
 Deluxe Seat Kit  
 Deluxe Seat Kit  
 Deluxe Seat Kit



PU38365 A.1



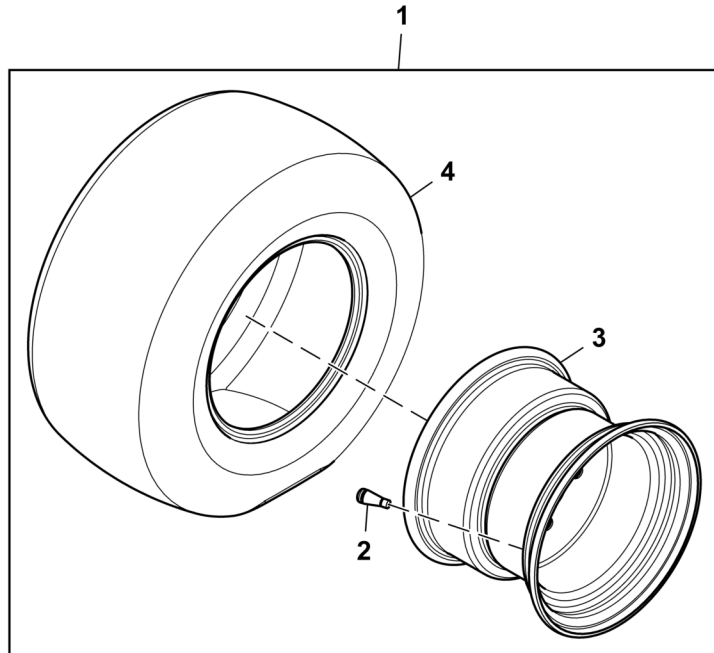
**PU38365**

Key	Part No.	Part Name	Qty.	Serial No.	Remarks
1	BUC10219	Seat Kit	1		INCLUDES AUC11774, AUC11776, AUC11777, AUC11778, AUC11779, AUC11780, AUC11781, TCA19823, AXE42040, AT365410, AT365411, TCA19824, AT365415, TCA19827, AT365412, AT365421 AND AUC15583
	AUC11774	Seat Assembly	1		Seat Frame, Not Illustrated
	AUC11776	Seat Knob Kit	1		Backrest Adjustable Lever, Not Illustrated
	AUC11777	Seat Knob Kit	1		Weight Adjustable Lever, Not Illustrated
	AUC11778	Seat Knob Kit	1		Weight Adjustable Lever, Not Illustrated
	AUC11779	Seat Suspension Boot Kit	1		Not Illustrated
	AUC11780	Seat Suspension Boot Kit	1		Seat Belt, Not Illustrated
	AUC11781	Seat Knob Kit	1		Lumbar Support, Not Illustrated
	TCA19823	Cushion Kit	1		Backrest, Not Illustrated
	AXE42040	Seat Suspension Kit	1		Not Illustrated
	AT365410	Kit	1		Lumbar Handle, Not Illustrated
	AT365411	Kit	1		Backrest, Not Illustrated
	TCA19824	Cushion Kit	1		Not Illustrated
	AT365415	Seat Shock Absorber Kit	1		Not Illustrated
	TCA19827	Armrest Kit	1		Not Illustrated
	AT365412	Switch Kit	1		Operator Presence, Not Illustrated
	AT365421	Seat Kit	1		Document Net, Not Illustrated
	AUC15583	Seat Belt	1		Not Illustrated

Smooth Tire Kit  
 Smooth Tire Kit  
 Smooth Tire Kit  
 Smooth Tire Kit  
 Smooth Tire Kit  
 Smooth Tire Kit



PU38646 A.1



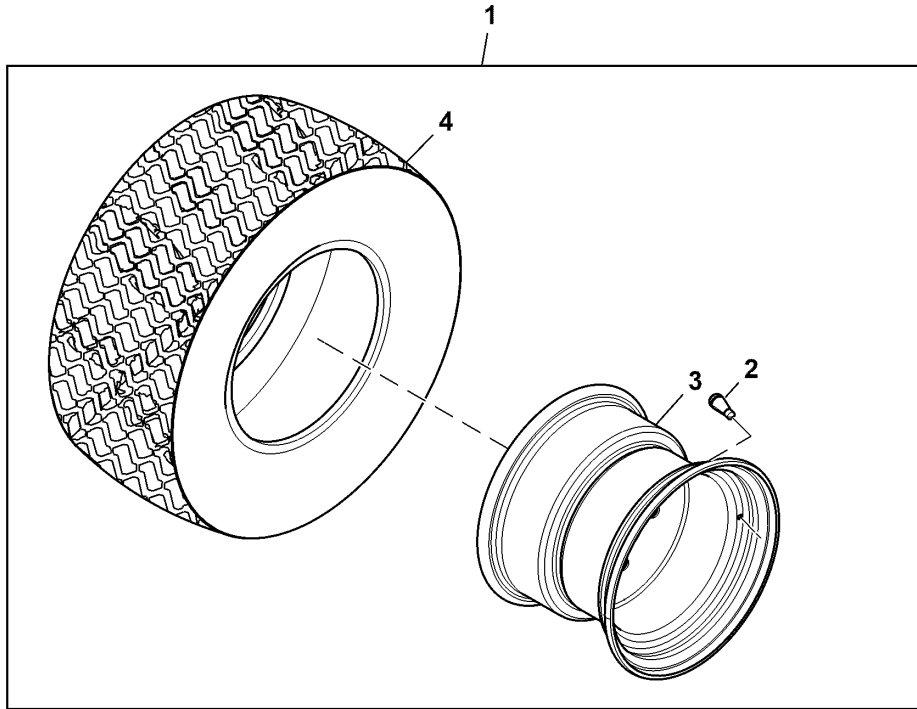
**PU38646**

Key	Part No.	Part Name	Qty.	Serial No.	Remarks
1	BM19748	Tire Kit	1		
2	AM30795	Tire Valve Stem	3		
3	AUC13999	Rim	3		10 x 7, SUB FOR MT6269
4	TCU35285	Tire	3		20 x 10 - 10

Multi - Trac All-Surface Tire Kit  
 Multi - Trac All-Surface Tire Kit  
 Multi - Trac All-Surface Tire Kit  
 Multi - Trac All-Surface Tire Kit  
 Multi - Trac All-Surface Tire Kit  
 Multi - Trac All-Surface Tire Kit



PU38647 A.1



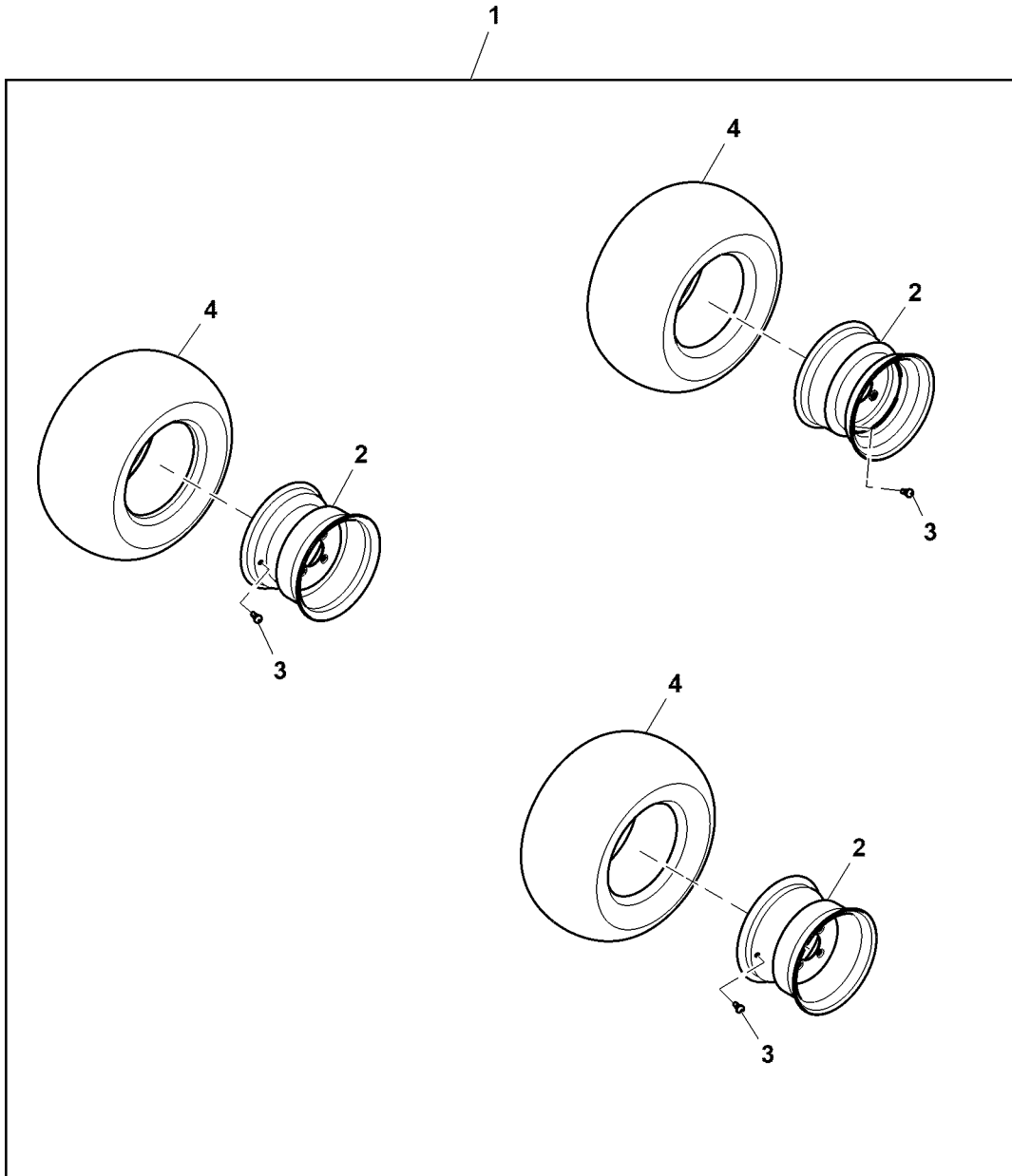
PU38647

Key	Part No.	Part Name	Qty.	Serial No.	Remarks
1	BM19749	Tire Kit	1		
2	AM30795	Tire Valve Stem	3		
3	AUC13999	Rim	3		10 x 7, SUB FOR MT6269
4	MT1966	Tire	3		20 x 10 - 10



Flotation Tire Kit  
Flotation Tire Kit  
Flotation Tire Kit  
Flotation Tire Kit  
Flotation Tire Kit  
Flotation Tire Kit

PU38649 A.1



PU38649

---

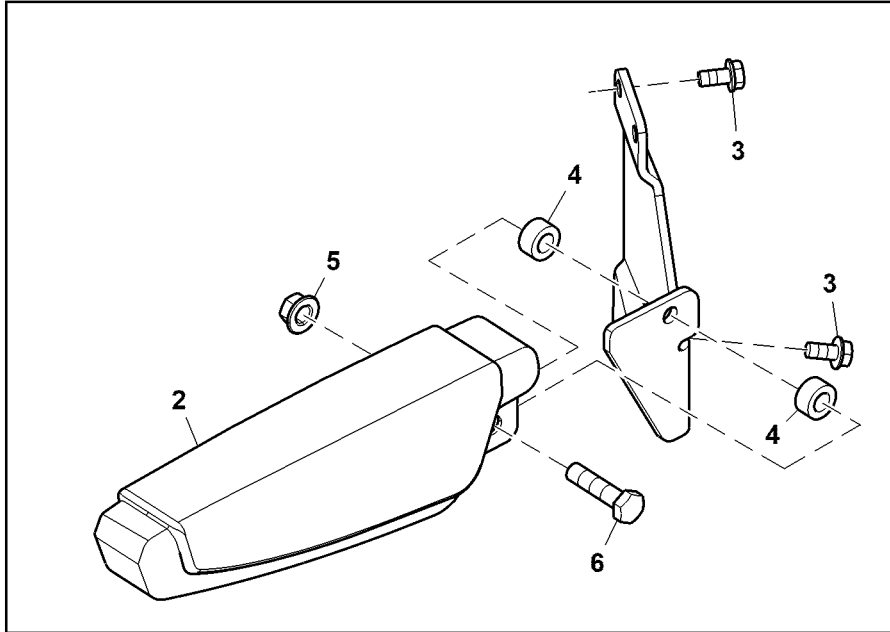
<i>Key</i>	<i>Part No.</i>	<i>Part Name</i>	<i>Qty.</i>	<i>Serial No.</i>	<i>Remarks</i>
1	BUC10621	Tire Kit	1		
2	AUC13999	Rim	3		10 X 7
3	AM30795	Tire Valve Stem	3		
4	TCU38657	Tire	3		20 X 10 – 10

---

Arm Rest Kit  
 Arm Rest Kit  
 Arm Rest Kit  
 Arm Rest Kit  
 Arm Rest Kit  
 Arm Rest Kit



PU38366 A.1



PU38366

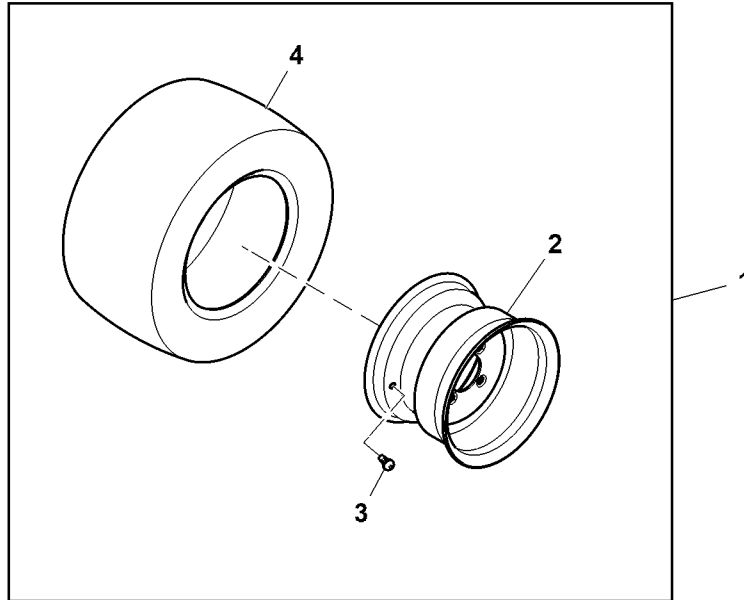
Key	Part No.	Part Name	Qty.	Serial No.	Remarks
1	AMT2477	Kit	1		
2	M117429	Armrest	1		
3	T58694	Screw	3		
4	Z46383	Bushing	2		
5	14M7296	Flange Nut	1		M10
6	19M7382	Cap Screw	1		M10 X 40



Smooth Tire Kit, 4 Ply  
 Smooth Tire Kit, 4 Ply  
 Smooth Tire Kit, 4 Ply  
 Smooth Tire Kit, 4 Ply  
 Smooth Tire Kit, 4 Ply  
 Smooth Tire Kit, 4 Ply



PU38648 A.1



**PU38648**

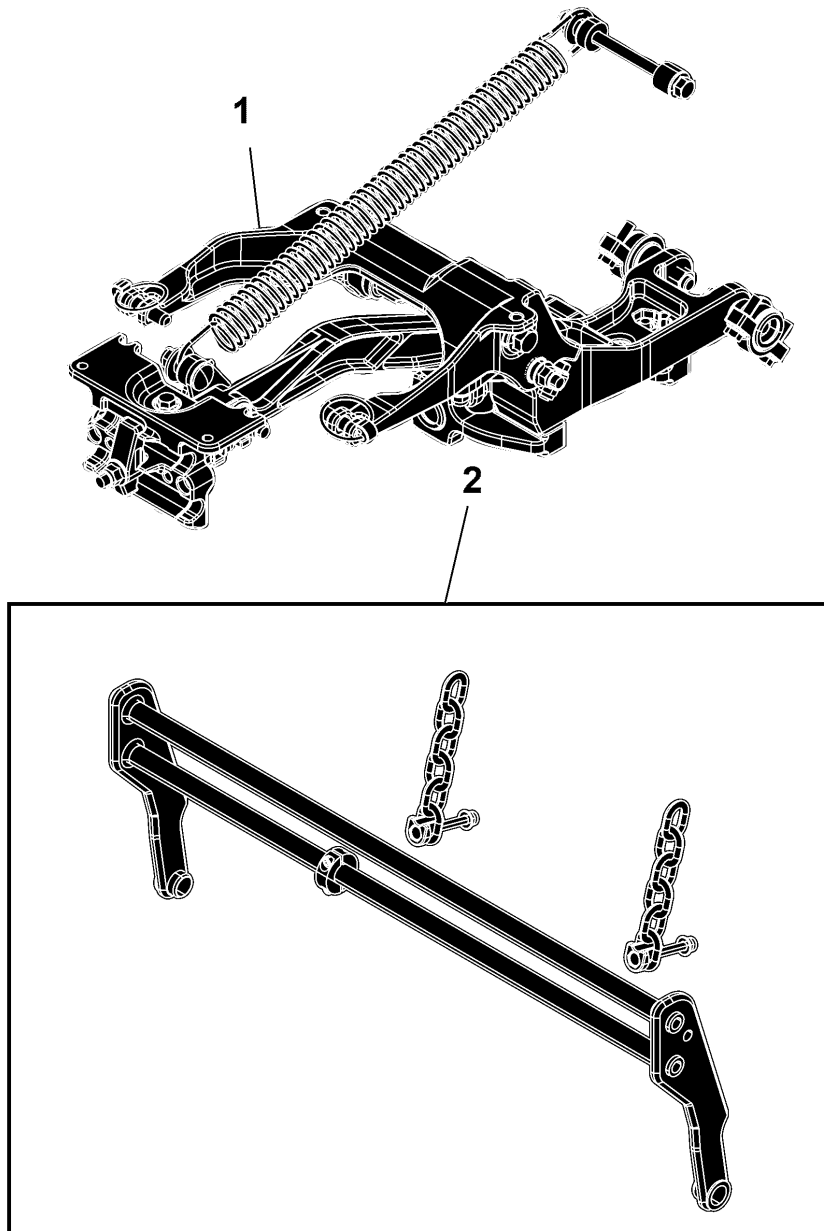
Key	Part No.	Part Name	Qty.	Serial No.	Remarks
1	BUC10620	Tire And Wheel Assembly	1		20 x 10 -10
2	AUC13999	Rim	3		10 x 7
3	AM30795	Tire Valve Stem	3		
4	TCU29969	Tire	3		20 x 10 -10



Sectional Pictorial Index  
Index d'illustrations par sections.  
Gruppenbildindex  
Indice illustrato delle sezioni  
Índice de ilustraciones por secciones  
Avsnittsbildregister

1-	196
2-	198

PU38800 A.1

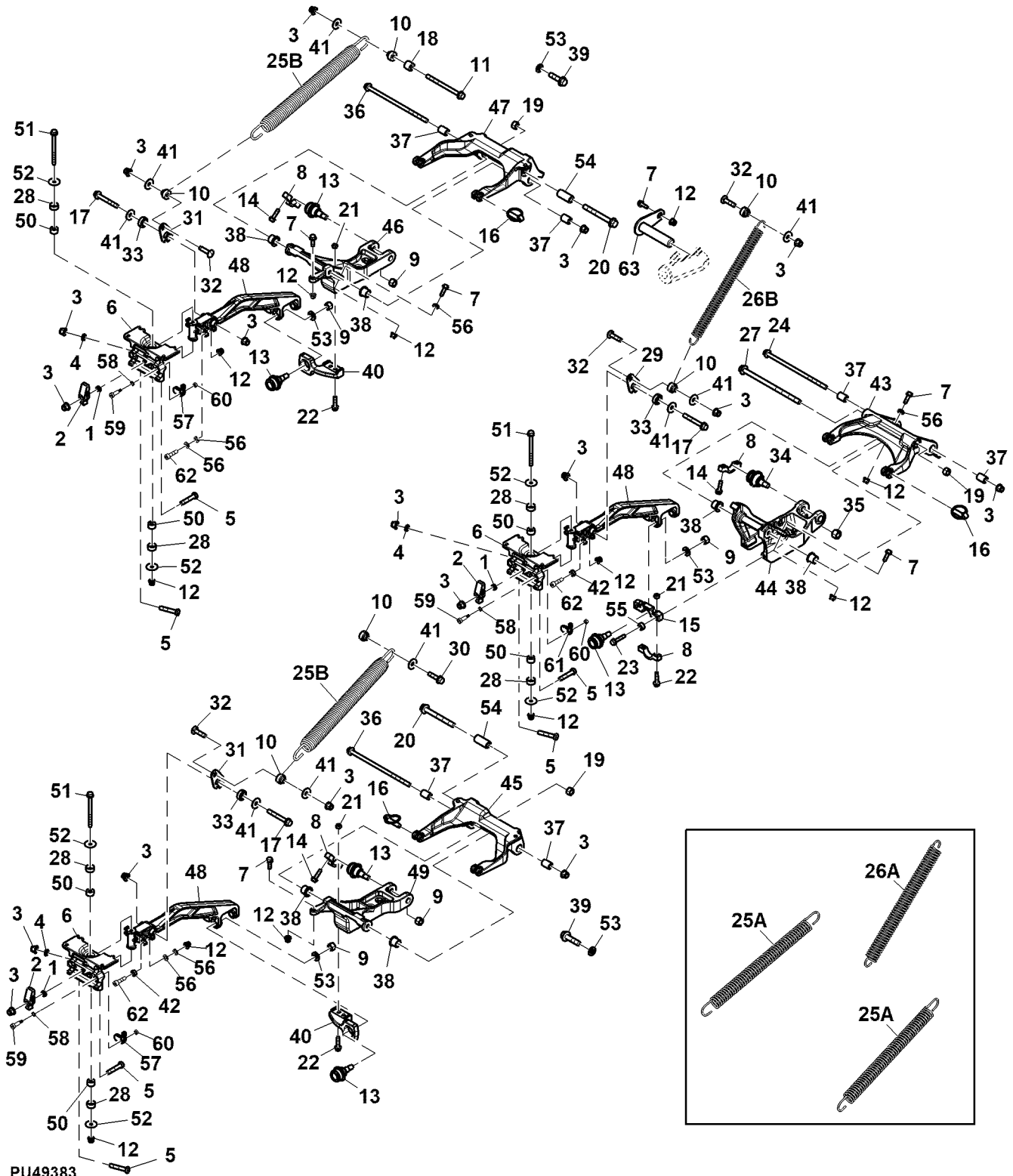


PU38800

Lift Arms, Reel Cutting Unit  
 Lift Arms, Reel Cutting Unit  
 Lift Arms, Reel Cutting Unit  
 Lift Arms, Reel Cutting Unit  
 Lift Arms, Reel Cutting Unit  
 Lift Arms, Reel Cutting Unit



PU49383 A.1

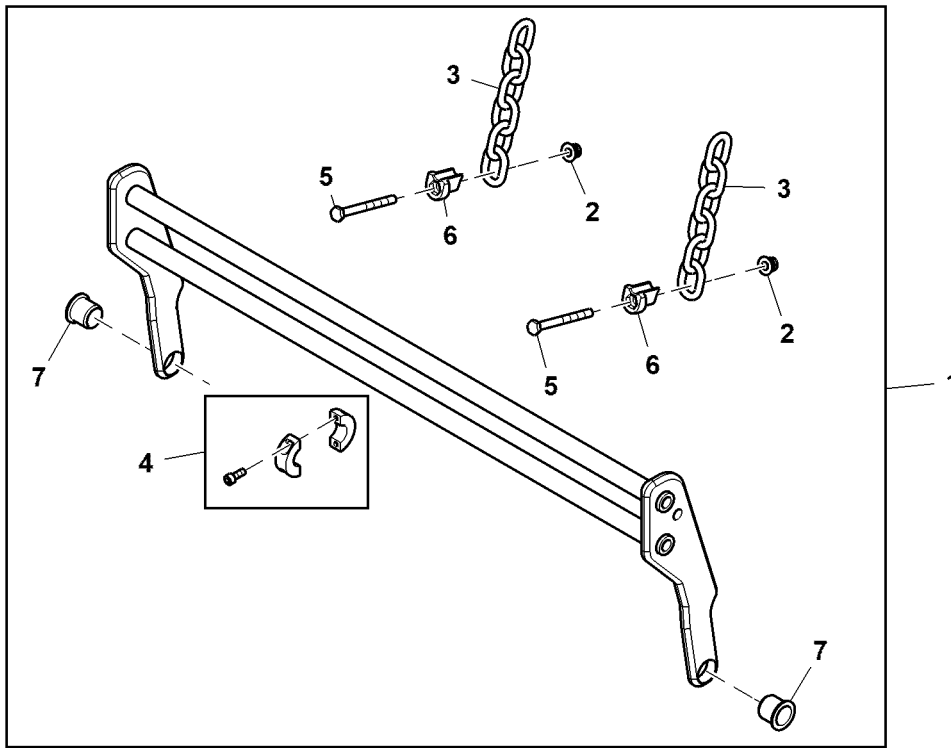


PU49383

Key	Part No.	Part Name	Qty.	Serial No.	Remarks
1	UC12944	Compression Spring	3		
2	UC12482	Block Clamp	3		
3	14M7465	Lock Nut	17	M10	
4	14M7152	Nut	3	M10	
5	19M8600	Cap Screw	6	M10 X 50	
6	UC22653	Support	3	Yoke Mount	
7	19M7867	Screw	7	M8 X 25	
8	UC11892	Half Clamp	8		
9	14M7357	Nut	10	M12	
10	UC12941	Spacer	6		
11	19M7898	Screw	1	M10 X 130	
12	14M7396	Lock Nut	16	M8	
13	AM147738	Ball Joint	10		
14	19M7868	Screw	18	M8 X 30	
15	UC11891	Half Clamp	1		
16	AR62149	Quick Lock Pin	6		
17	19M9128	Screw	3	M10 X 75	
18	TCU38353	Bushing	1		
19	14M7275	Nut	3	M12	
20	19M7837	Screw	2	M12 X 110	
21	14M7273	Nut	12	M8	
22	19M7897	Screw	10	M8 X 35	
23	19M7798	Screw	4	M8 X 40	
24	19M10348	Screw	1	M10 X 200	
25A	UC12923	Extension Spring	2		ORDER UC27218; LH / RH
25B	UC27218	Extension Spring	2		LH / RH
26A	UC12924	Extension Spring	1		ORDER UC27220, Center
26B	UC27220	Extension Spring	1		Center
27	R524489	Cap Screw	1		
28	UC26094	Bushing	6		
29	UC18848	Plate	1		Spring Adjust, Center
30	19M8162	Screw	1	M10 X 40	
31	UC18847	Plate	2		LH / RH, Spring Adjust
32	03M7194	Bolt	4		M10 X 40
33	M72232	Washer	3		
34	AUC12838	Ball Joint	2		
35	14M7437	Nut	2	M14	
36	19M8527	Screw	2	M10 X 230	
37	UC20962	Bushing	6		
38	UC20961	Bushing	6		
39	19M7813	Screw	2	M12 X 45	
40	UC21857	Bracket	4		LH / RH
41	24M7178	Washer	9		10.500 X 30 X 2.500 mm
42	M91252	Washer	2		
43	UC28582	Support	1		SUB FOR UC22659, Chain Lift, Center
44	UC22656	Lift Arm	1		Lower, Center
45	UC28584	Support	1		SUB FOR UC22655; LH, Chain Lift
46	UC22657	Lift Arm	1		RH, Lower
47	UC28583	Support	1		SUB FOR UC22654; RH, Chain Lift
48	UC22652	Lift Arm	3		Upper
49	UC22658	Lift Arm	1		LH, Lower
50	AM102726	Ball Bearing	6		ORDER UC26095
	UC26095	Ball Bearing	6		
51	19M7970	Screw	3		M8 X 100
52	M79150	Washer	6		
53	24M7623	Washer	8		13 X 24 X 2.500 mm
54	UC25109	Bushing	2		
55	M112535	Washer	2		
56	24M7037	Washer	3	-020000	9 X 16 X 2 mm
	24M7037	Washer	11	-030000	9 X 16 X 2 mm
	24M7037	Washer	8	030001-	9 X 16 X 2 mm
57	UC18561	Plate	4	020001-	LH / RH
58	SU23101	Spring	6	020001-	
59	T383235	Bolt	6	020001-	
60	14M7272	Nut	6	020001-	M6
61	UC22490	Plate	2	020001-	Center
62	19M7561	Screw	6	020001-	M8 X 30
63	AUC14194	Pin	1		

Yoke Kit  
 Yoke Kit  
 Yoke Kit  
 Yoke Kit  
 Yoke Kit  
 Yoke Kit

PU39113 A.1



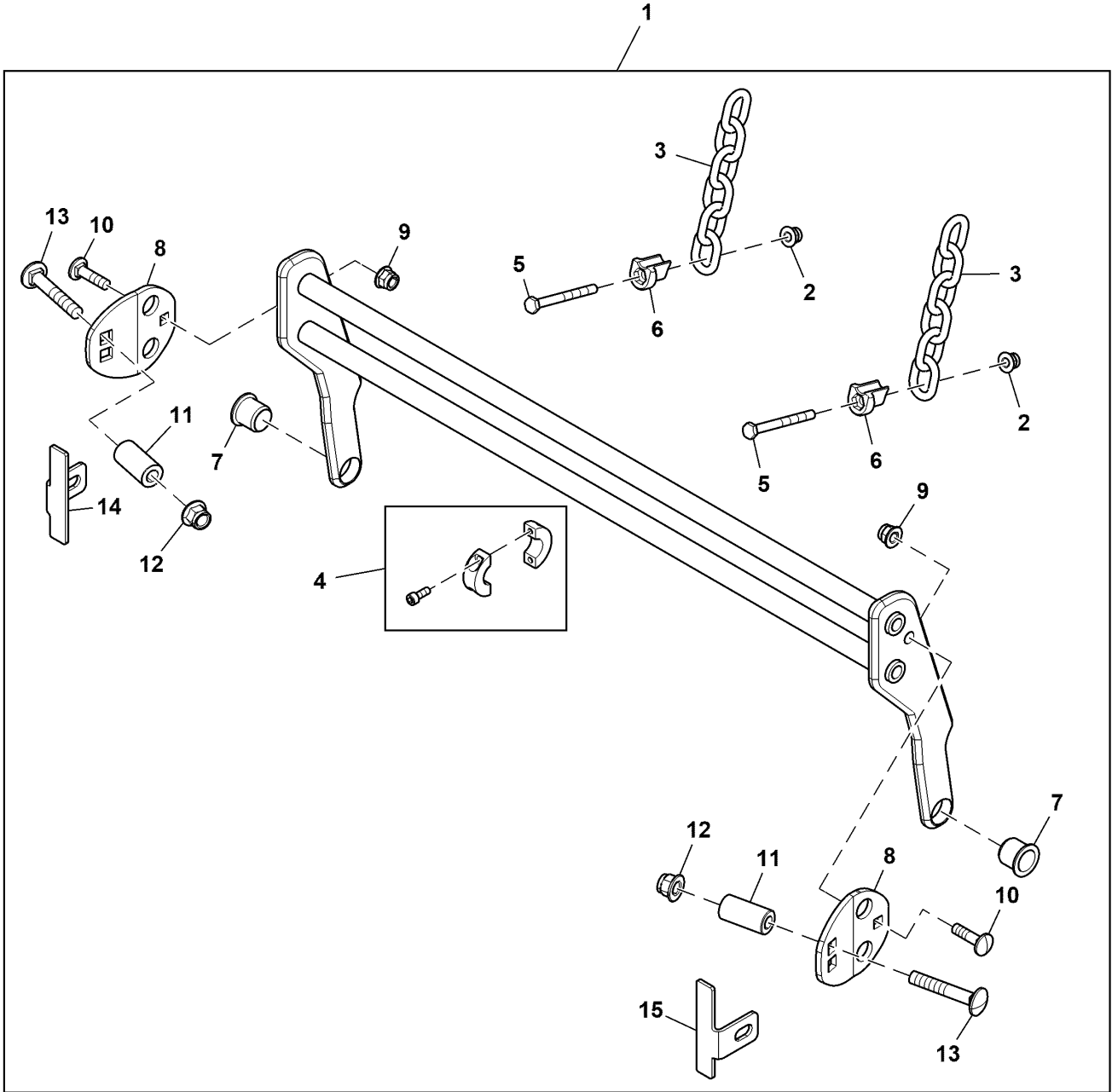
PU39113

Key	Part No.	Part Name	Qty.	Serial No.	Remarks
1	BUC10100	Kit	1		ORDER BUC11201 Components on Seperate Page
	BUC11201	Kit	1		
2	14M7397	Lock Nut	2		M6
3	UC14285	Link Chain	2		
4	AUC12386	Locking Collar	1		
5	19M8360	Cap Screw	2		M6 X 60
6	UC21994	Boss	2		
7	M80084	Bushing	2		



Yoke Kit  
Yoke Kit  
Yoke Kit  
Yoke Kit  
Yoke Kit  
Yoke Kit

TC421229 A.1



TC421229



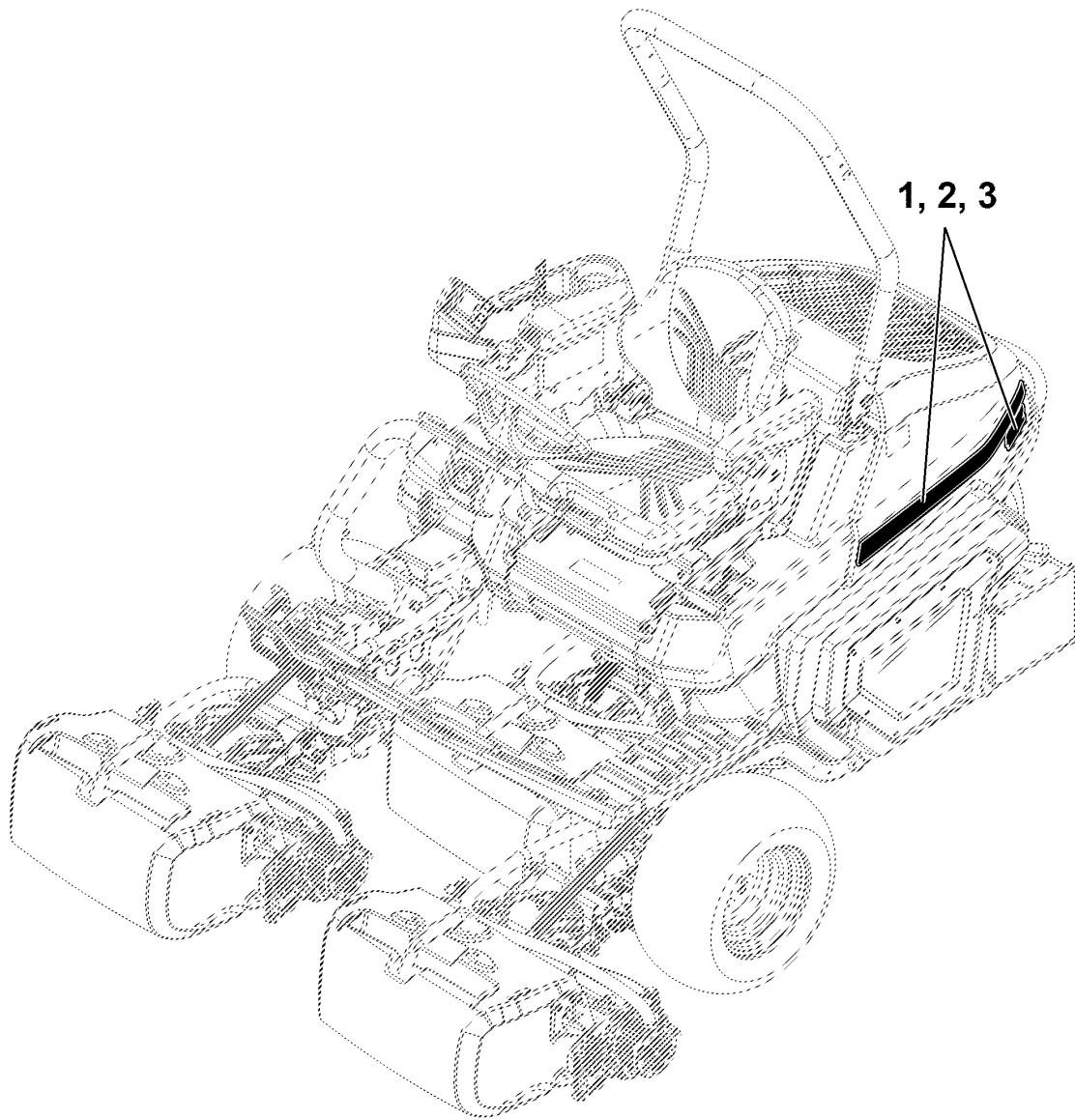
Key	Part No.	Part Name	Qty.	Serial No.	Remarks
1	BUC11201	Kit	1		
2	14M7397	Lock Nut	2		M6
3	UC14285	Link Chain	2		
4	AUC12386	Locking Collar	1		
5	19M8360	Cap Screw	2		M6 X 60
6	UC21994	Boss	2		
7	M80084	Bushing	2		
8	UC11904	Bracket	2		
9	14M7396	Lock Nut	2		M8
10	03M7186	Bolt	2		M8 X 30
11	R316945	Bushing	2		
12	14M7465	Lock Nut	2		M10
13	03M7246	Bolt	2		M10 X 60
14	UC27761	Wear Plate	1		
15	UC27760	Wear Plate	1		



Sectional Pictorial Index  
Index d'illustrations par sections.  
Gruppenbildindex  
Indice illustrato delle sezioni  
Índice de ilustraciones por secciones  
Avsnittsbildregister

PU39466 A.1

1-	204
2-	206
3-	208



PU39466

Labels  
Labels  
Labels  
Labels  
Labels

PU48397 A.1



**CAUTION**  
Avoid equipment fires. Accumulation of grass and other debris on or near hot or moving parts can create a fire. Inspect machine before, during, and after use. Shut off engine and allow machine to cool before cleaning.

**ATENCIÓN**  
Evitar los incendios en el equipo. Las acumulaciones de pasto u otros desechos que se acumulan en o cerca de partes calientes o en movimiento pueden causar incendios. Revisar la máquina antes, durante y después de usarla. Para el motor y dejar que la máquina se enfríe de limpiar.

Inspect and clean the entire machine and pay special attention to these locations:  
 ● Muffler and exhaust system  
 ● Around brakes  
 ● Engine and engine scooters

Revisar y limpiar toda la máquina, prestando atención especial a los puntos siguientes:  
 ● Silenciador y sistema de escape  
 ● Alrededor frenos  
 ● Motor y sus repillas

**IMPORTANT** Pursuant to California Public Resources Code 4442.6: **WARNING:** Operation of This Equipment May Create Sparks That Can Start Fires Around Dry Vegetation. A Spark Arrestor May be Required. The Operator Should Contact Local Fire Agencies For Laws or Regulations Relating to Fire Prevention Requirements.

**IMPORTANTE** Según el Código de recursos públicos 4442.6 del Estado de California **ADVERTENCIA:** El uso de este equipo puede crear chispas capaces de iniciar incendios en vegetación seca. Podría ser necesario usar un parachispas. El operador deberá comunicarse con cuerpos de bomberos locales para informarse de leyes o reglamentos relacionados con los requisitos exigidos para la prevención de incendios.

**CAUTION**  
**HELP AVOID INJURY**

- Operator training required
- Read operator's manual
- Know all controls
- Do not operate the machine without guards, shields, and safety devices in place and working
- Look behind before backing
- Keep people a safe distance away
- Stay clear of power driven parts
- Do not operate where machine could tip
- Never carry riders
- Before leaving machine: Stop engine Set park brake Remove key

**ATENCIÓN**  
**AYUDAR A EVITAR LESIONES**

- Se requiere entrenamiento del operador
- Leer el manual del operador
- No funciona la máquina sin protectores, protectores, y dispositivos de seguridad en lugar y el trabajo.
- Cuidar todos los dispositivos de seguridad
- Mirar hacia atrás antes de retroceder
- Mantener a las demás personas a una distancia prudente
- Mantenerse alejado de las piezas mecánicas
- No conducir de la máquina pudiera volcarse
- Nunca llevar pasajeros
- Antes de abandonar de la máquina: Apagar el motor Aplicar el freno de estacionamiento Sacar la llave

**WARNING**  
**To avoid injury from crushing, always wear seat belt. Do not jump from machine.**

**ROLL-OVER PROTECTIVE STRUCTURE**  
To maintain operator protection and ROPS certification:  
 ● Replace damaged ROPS, do not repair or revise  
 ● Any alteration of ROPS must be approved by manufacturer

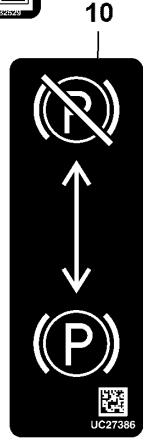
In conformance with:  
 ISO 21299:2009 for energy absorbing ROPS requirements

Reference mass:  
 834 Kg (2400/2500 Series)  
 918 Kg (2653B)  
 816 Kg (2700 Series)

For use on John Deere 2400/2500/2653/2700 Series Mowers for Golf Courses  
 Deere & Company  
 Moline, Illinois, U.S.A.

**ESTRUCTURA PROTECTORA CONTRA VUELCOS**  
Para mantener la protección del operador y la certificación de la ROPS:  
 ● Sustituir una ROPS dañada; no repararla ni modificarla  
 ● Toda modificación de una ROPS deberá contar con la aprobación del fabricante

En cumplimiento con:  
 Requisitos de ISO 21299:2009 para absorción de energía de la ROPS  
 Masa de referencia: 834 kg (serie 2400/2500) 918 kg (2653B) 816 kg (serie 2700)  
 Para uso en cortacésped John Deere serie 2400/2500/2653/2700 para campos de golf  
 Deere & Company  
 Moline, Illinois EE.UU.



**PrecisionCut™ & E-Cut Hybrid™ - Servicio Diario**  
(Consultar el manual del operador para la información completa de servicio y procedimientos estándar)

LA INFORMACIÓN DE POTENCIA Y TORQUES DEL MOTOR SON PROPUESTAS POR EL FABRICANTE DEL MOTOR PARA FINES DE COMPARACIÓN. EL TORQUE Y POTENCIA DE OPERADOR REALES SON MENORES. CONSULTE LA PÁGINA ELECTRÓNICA DEL FABRICANTE DEL MOTOR PARA INFORMACIÓN ADICIONAL. [www.johndeere.com](http://www.johndeere.com)

**MANTENIMIENTO DIARIO REQUERIDO**  
**ANTES DE USAR LA MÁQUINA**

- REVISAR EL ACEITE DEL MOTOR
- REVISAR EL ACEITE HIDRÁULICO
- REVISAR EL REPRESENTANTE DE MOTOR
- REVISAR EN BÚSCA DE DESAFINES
- INSPECCIONAR LOS NEUMÁTICOS Y REVISAR LA PRESIÓN DE INFLADO
- REVISAR EL SISTEMA DEL INTERRUPTOR DE SEGURIDAD
- REVISAR EL SISTEMA DE FRENO
- REVISAR EL INDICADOR DE RESTRICCIÓN (MODELOS DIESEL)
- REVISAR LA VÁLVULA DE DESCARGA DE FUELO
- INSPECCIONAR VISUALMENTE POR PARTES DANADAS, SALTAS O FROTADAS
- REVISAR TODOS LOS PROTECTORES Y ESCUDO DE SEGURIDAD
- REVISAR EL SEPARADOR DE COMBUSTIBLE/AGUA
- REVISAR EL FRENO, Y/O EL CONTROL DE DIRECCIÓN
- REVISAR CINTURÓN DE SEGURIDAD

**DESPUÉS DE HABER USADO LA MÁQUINA**

- REVISAR EL NIVEL DE COMBUSTIBLE/AGUA
- LIMPIAR LA BASURA DE LA MÁQUINA
- LIMPIAR LA BASURA DEL SISTEMA DE EQUIPAMIENTO
- LIMPIAR LOS CORPUSCULOS DE LAS BOMBAS DE COMBUSTIBLE/AGUA
- LIMPIAR LA MÁQUINA DESPUÉS DE LAVARLA

**USE SEAT BELT**

**ABROCHARSE EL CINTURÓN DE SEGURIDAD**

**ADVERTENCIA**  
Para evitar las heridas por ser aplastado por la máquina, abrocharse siempre el cinturón de seguridad. No saltar de la máquina.

**LEET**  
PROUD PARTNER

LWA  
**105dB**

**PrecisionCut™ and E-Cut™ Hybrid Daily Service**  
(See Operator's Manual for Complete Servicing Information and Proper Procedures)

THE ENGINE HORSEPOWER AND TORQUE INFORMATION ARE PROVIDED BY THE ENGINE MANUFACTURER TO BE USED FOR COMPARISON PURPOSES ONLY. ACTUAL OPERATING HORSEPOWER AND TORQUE WILL BE LESS. REFER TO THE ENGINE MANUFACTURER'S WEB SITE FOR ADDITIONAL INFORMATION. [www.johndeere.com](http://www.johndeere.com)

**DAILY SERVICE REQUIRED**  
**BEFORE EACH USE**

- CHECK ENGINE OIL
- CHECK COOLANT
- CHECK FORT LENS
- INSPECT TIRES AND CHECK AIR PRESSURE
- CHECK SAFETY INTERLOCK SYSTEM
- CHECK BRAKE SYSTEM
- CHECK RESTRICTION INDICATOR (DIESEL MODELS)
- CHECK FUEL FILTER (DIESEL MODELS)
- VISUALLY INSPECT FOR LACKS, MISSING, OR DAMAGED PARTS
- CHECK ALL SAFETY GUARDS AND SHIELDS
- CHECK FUEL/WATER SEPARATOR
- CHECK PEBAL AND/OR STEERING CONTROL
- CHECK SEAT BELT

**AFTER EACH USE**

- CHECK FILL FUEL
- CLEAN DEBRIS FROM MACHINE
- CLEAN DEBRIS FROM COOLING SYSTEM
- CLEAN DEBRIS FROM CUTTING UNITS AND ATTACHMENTS
- LUBRICATE MACHINE AFTER WASHING

**RECOMMENDED TIRE PRESSURE:**

**2400/2500/2550**  
20 X 10-10 4 Ply 83 kPa (12 psi)  
18 X 10.5-10 4 Ply 83 kPa (12 psi)

**2653B**  
FRONT: 20 X 10-10 4 Ply 145 kPa (21 psi)  
20 X 12-10 4 Ply 131 kPa (19 psi)  
REAR: 20 X 10-8 4 Ply 83 kPa (12 psi)

**2700/2750**  
20 X 10-10 4 Ply 83 kPa (12 psi)



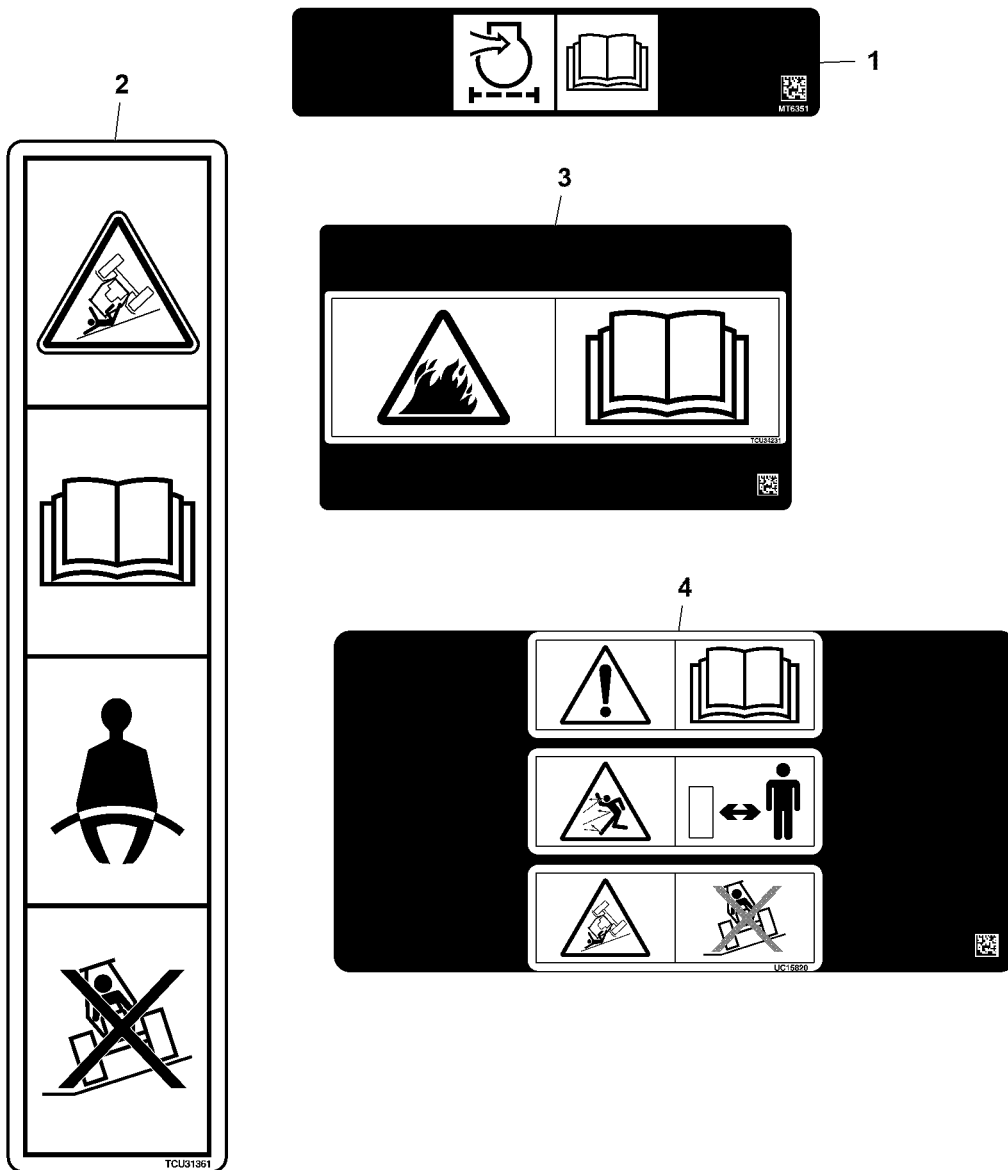
PU48397

15

Key	Part No.	Part Name	Qty.	Serial No.	Remarks
1	UC27387	Label	1		SUB FOR APPL TCU18100, Professional Golfers Association Tour
2	UC15294	Label	1		Cleanout, English / Spanish
3	TCU32529	Label	1		Spark Arrestor
4	UC15819	Label	1		Caution, English / Spanish
5	UC15821	Label	1		Warning Seat Belt, English / Spanish
6	UC37493	Label	1		SUB FOR UC27399 ,SUB FOR APPL UC20644, Hood, Periodic Service, Spanish
7	UC37492	Label	1		SUB FOR UC27398 ,SUB FOR APPL UC20643, Hood, Periodic Service, English
8	UC20646	Label	1		Rollover Protective Structure, English
9	UC20647	Label	1		Rollover Protective Structure, Spanish
10	UC27386	Label	1		SUB FOR APPL TCU14862, Park Brake Direction
11	UC20772	Label	1	-040000	Trim Stripe, LH,
	UC32834	Label	1	040001-	
12	UC20771	Label	1	-040000	Trim Stripe, RH
	UC32832	Label	1	040001-	
13	UC25114	Label	1		Australian Sound
14	TCU34231	Label	1		Clean Out, No Text, Not for Canada and USA
15	UC22871	Label	1		Danger, Not for Canada and USA
16	UC15820	Label	1		Caution, Not for Canada and USA
17	MT6351	Label	1		Air Cleaner, Not for Canada and USA
18	AR51481	Key	1		Ignition Switch, Set of 2
19	UC29273	Label	1		Ladies European Tour

Labels, No Text  
Labels, No Text  
Labels, No Text  
Labels, No Text  
Labels, No Text  
Labels, No Text

PU39462 A.1



PU39462

---

<i>Key</i>	<i>Part No.</i>	<i>Part Name</i>	<i>Qty.</i>	<i>Serial No.</i>	<i>Remarks</i>
1	MT6351	Label	1		Air Cleaner, Not for Canda and USA
2	TCU31361	Label	1		Warning
3	TCU34231	Label	1		Clean Out
4	UC15820	Label	1		Caution

---

Labels, English and French  
 Labels, English and French  
 Labels, English and French  
 Labels, English and French  
 Labels, English and French

PU53999 A.1

**1**

**⚠ DANGER**

GAZ EXPLOSIFS La batterie risque d'exploser au contact d'une cigarette, d'une flamme ou d'étincelles. Toujours se protéger les yeux et le visage avant d'entretenir dessus. Ne pas recharger, se servir de objets volants ou régler les connexions des bornes sans avoir reçu les instructions et la formation nécessaires. Les bouchons de dégazage doivent être maintenus serrés et de niveau.

**POISON**

RISQUE DE GRAVES BRÛLURES Contient de l'acide sulfurique. Éviter le contact avec la peau, les yeux ou les vêtements. En cas d'accident, rincer à l'eau et appeler immédiatement un médecin. Garder hors de portée des enfants.

**3**

**⚠ DANGER**

To avoid injury from rotating blades, stay clear of reel.  
 Shut off machine before removing grass catcher, cleaning or servicing.

**⚠ DANGER**

Pour éviter de vous blesser avec les lames en rotation, restez à l'écart de l'enrouleur. Arrêtez la machine avant de retirer le bac d'ramassage, de la nettoyer ou de l'entretenir.

**4**

**IMPORTANT**

Pursuant to California Public Resources Code 4442.5:

**IMPORTANT**

Conformément à la classe 4442.5 du California Public Resources Code:

**WARNING:** Operation of this equipment may create sparks that can start fires around dry vegetation. A spark arrester may be required. The operator should contact local fire agencies for laws or regulations relating to fire prevention requirements.

**AVERTISSEMENT:** L'utilisation de cet équipement risque de créer des étincelles pouvant provoquer des incendies à proximité de végétation sèche. Un pare-étincelles peut être exigé. L'utilisateur doit contacter les sapeurs-pompiers locaux pour connaître les lois et réglementations concernant les exigences en matière de prévention des incendies.

TCU33951

**2**

**IMPORTANT**

To prevent engine damage:

- Do not use starting fluid
- Service air cleaner only when gauge reaches red line

**IMPORTANT**

Pour éviter tout dégât au moteur:

- Ne pas utiliser de fluide d'aide au démarrage
- Nettoyer le filtre à air seulement quand l'indicateur atteint la ligne rouge

**5**

**CARBURANT À ULTRA BASSE TENEUR EN SOUFRE UNIQUEMENT**

TCU37361

**6**

**CAUTION**

Avoid equipment fires. Accumulation of grass and other debris on or near hot or moving parts can cause a fire. Inspect machine before, during, and after use. Shut off engine and allow machine to cool before cleaning.

Inspect and clean the entire machine and pay special attention to these locations:

- Muffler and exhaust system
- Around brakes
- Engine and engine screens

**ATTENTION**

Éviter les incendies d'équipement. L'accumulation d'herbe et d'autres débris sur ou à proximité des pièces chaudes ou mobiles peut provoquer un incendie. Inspecter la machine avant, pendant et après utilisation. Arrêter le moteur et laisser la machine refroidir avant de procéder au nettoyage.

Inspecter et nettoyer la totalité de la machine et prêter une attention particulière aux endroits suivants:

- Silencieux et circuit d'échappement
- Autour de freins
- Moteur et tamis du moteur

**7**

**PrecisionCut™ et E-Cut™ Hybrid Entretien quotidien**

(Voir le livret d'entretien pour les informations complètes d'entretien et les procédures correctes)

LES INFORMATIONS DE COUPLE ET DE PUISSANCE DU MOTEUR SONT FOURNIES PAR LE FABRICANT DU MOTEUR À DES FINS DE COMPARAISON UNIQUEMENT. LA PUISSANCE ET LE COUPLE REELS DE FONCTIONNEMENT SERONT MOINDRES. CONSULTER LE SITE WEB DU FABRICANT DU MOTEUR POUR PLUS D'INFORMATIONS.

JOHN DEERE  
 www.johndeere.com

**ENTRETIEN QUOTIDIEN NÉCESSAIRE**

**AVANT CHAQUE EMPLOI**

- VERIFIER L'HUILE MOTEUR
- VERIFIER LE LIQUIDE DE REPRODUCTION
- VERIFIER L'ABSENCE DE FUITES
- TAMISER LES PNEUS ET VERIFIER LEUR PRESSION DE CONJUGLE
- VERIFIER LE SYSTEME DE FREINAGE
- VERIFIER L'INDICATEUR DE RESTRICTION (MODELS DIESEL)
- VERIFIER LA SOUPAPE DE DECHARGEMENT DE LA PUISSANCE
- VERIFIER VISUELEMENT OU AUCUNE PIECE N'EST DESERRÉE, MANQUANTE OU ENDOMMAGÉE
- VERIFIER TOUTES LES PROTECTIONS DE SÉCURITÉ
- VERIFIER LE SÉPARATEUR CARBURANT/EAU
- VERIFIER LA PÉDALE ET/OU LA COMMANDE DE DIRECTION
- VERIFIER CENTRE DE SÉCURITÉ

**APRÈS CHAQUE EMPLOI**

- VERIFIER FAIRE LE PLEIN DE CARBURANT
- ENLEVER LES DÉBRIS DE LA MACHINE
- ENLEVER LES DÉBRIS DU CIRCUIT DE REPRODUCTION
- ENLEVER LES DÉBRIS DES UNITÉS DE COUPE ET ACCESSOIRES

**PRESSON DES PNEUS RECOMMANDÉE:**

**2400/2500**

20 X 10-10 4 Pli 83 kPa (12 psi)  
 18 x 10.5-10 4 Pli 83 kPa (12 psi)

**2653B**

AVANT:  
 20 X 10-10 4 Pli 145 kPa (21 psi)  
 20 X 12-10 4 Pli 131 kPa (19 psi)

ARRIÈRE:  
 20 x 10-8 4 Pli 83 kPa (12 psi)

**2700/2750**

20 X 10-10 4 Pli 83 kPa (12 psi)

**9**

**⚠ WARNING**

To avoid injury from crushing, always wear seat belt. Do not jump from machine.

**8**

**CAUTION**

**HELP AVOID INJURY**

- Operator training required
- Read operator's manual
- Know all controls
- Do not operate the machine without guards, shields, and safety devices in place and working
- Look behind before backing
- Keep people a safe distance away
- Stay clear of power driven parts
- Do not operate where machine could tip
- Never carry riders
- Before leaving machine:
  - Stop engine
  - Set park brake
  - Remove key

**ATTENTION**

**ÉVITER LES BLESSURES**

- Lire le livret d'entretien
- Ne pas utiliser la machine sans que les protections et dispositifs de sécurité soient en place et en bon état de fonctionnement
- Ne pas utiliser cette machine à proximité d'enfants ou d'autres personnes
- Ne pas utiliser la machine sans avoir été formé
- Regarder derrière soi avant de reculer
- Ne laisser personne s'approcher
- Se tenir hors de portée des pièces entraînées
- Ne pas utiliser lorsque la machine risque de basculer
- Ne jamais prendre de passager
- Avant de quitter la machine:
  - Arrêter le moteur - Serrer le frein de stationnement
  - Retirer la clé

TCU35694

**11**

**ARCEAU DE SÉCURITÉ**

Pour maintenir la protection de l'opérateur et pour conserver la certification de l'arceau de sécurité:

- Remplacer un arceau de sécurité endommagé, ne pas le réparer ou le réviser
- Toute modification de l'arceau de sécurité doit être approuvée par le fabricant

Conforme à la norme : ISO 21299:2009 pour les exigences concernant les arceaux de sécurité amortisseurs

Poids de référence:  
 834 kg (Série 2400/2500)  
 918 kg (2653B)  
 816 kg (Série 2700)

Pour utilisation sur les tondeuses de golf John Deere séries 2400/2500/2653/2700

Deere & Company  
 Moline, Illinois  
 Les Etats Unis

**USE SEAT BELT**

**BOUCLER LA CEINTURE**

**⚠ AVERTISSEMENT**

Pour éviter les blessures causées par un écrasement, toujours porter la ceinture de sécurité. Ne pas sauter de la machine.

TCU39148

**10**

**Les moteurs avec système d'allumage à étincelle sont conformes à la norme canadienne NMB-002.**

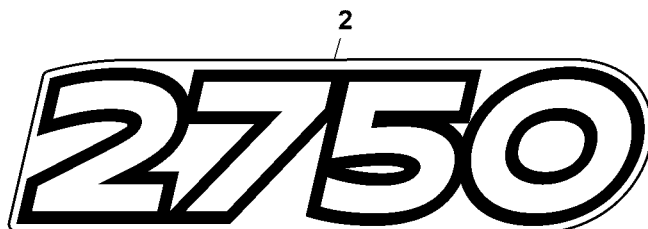
PU53999



Key	Part No.	Part Name	Qty.	Serial No.	Remarks
1	MT6599	Label	1		Danger, Battery
2	MT6600	Label	1		Air Cleaner
3	MT6606	Label	6		Danger, Rotating Blades
4	TCU33951	Label	1		Spark Arrestor
5	TCU37361	Label	1		Ultra Low Sulfur Fuel
6	TCU40348	Label	1		Cleanout
7	UC20688	Label	1		Hood Service
8	TCU35694	Label	1		Caution, Tunnel
9	TCU39148	Label	1		Warning, Seat Belt
10	M158597	Label	1		Certification, Canada
11	UC20689	Label	1		ROPS Certification

Labels  
Labels  
Labels  
Labels  
Labels  
Labels

PU51324 A.1



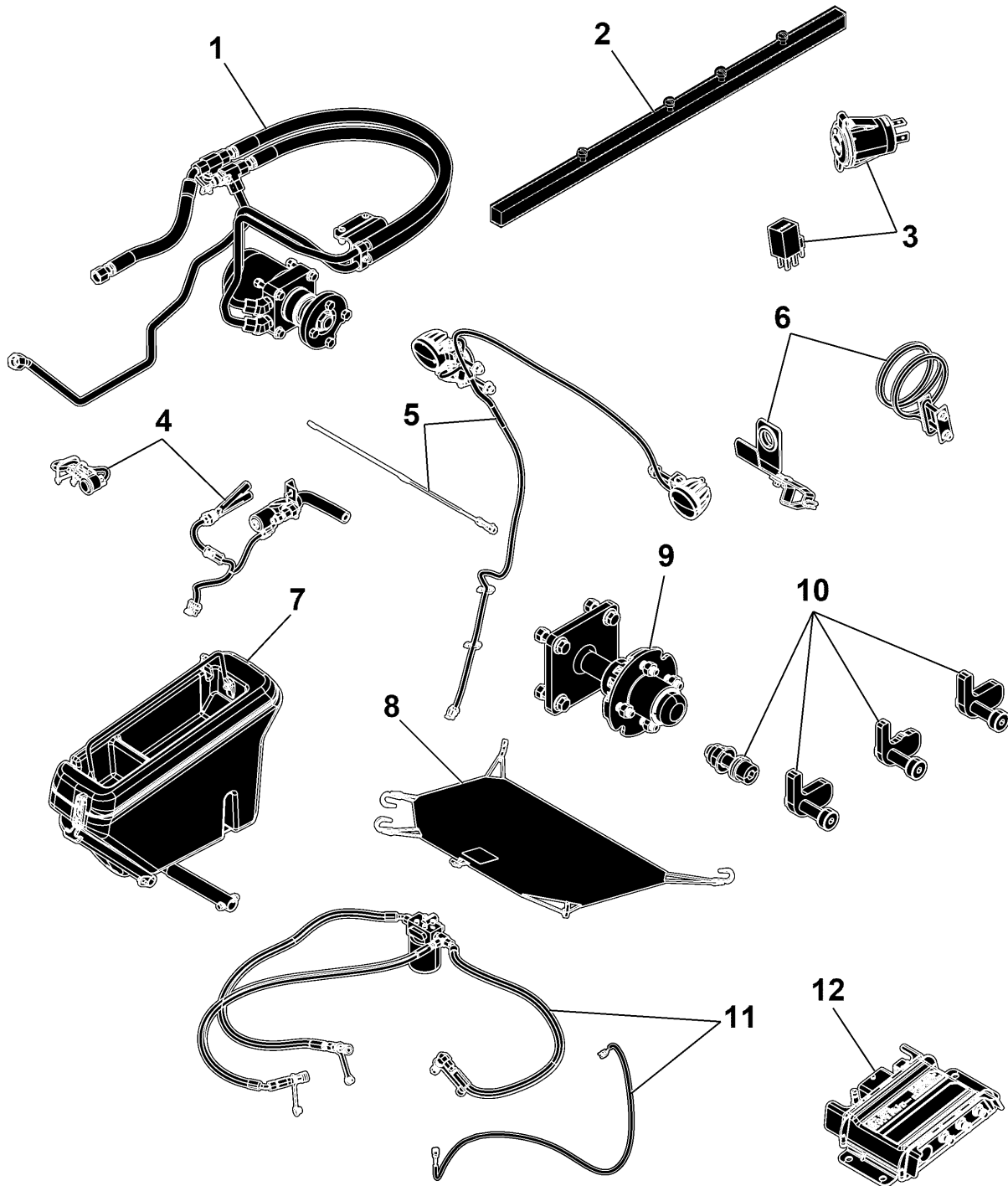
PU51324

Key	Part No.	Part Name	Qty.	Serial No.	Remarks
1	UC32872	Label	2		
2	UC32861	Label	2		

Sectional Pictorial Index  
 Index d'illustrations par sections.  
 Gruppenbildindex  
 Indice illustrato delle sezioni  
 Índice de ilustraciones por secciones  
 Avsnittsbildregister

TC595806 A.1

1-	212
2-	214
3-	215
4-	216
5-	218
6-	220
7-	222
8-	224
9-	225
10-	226
11-	230
12-	238

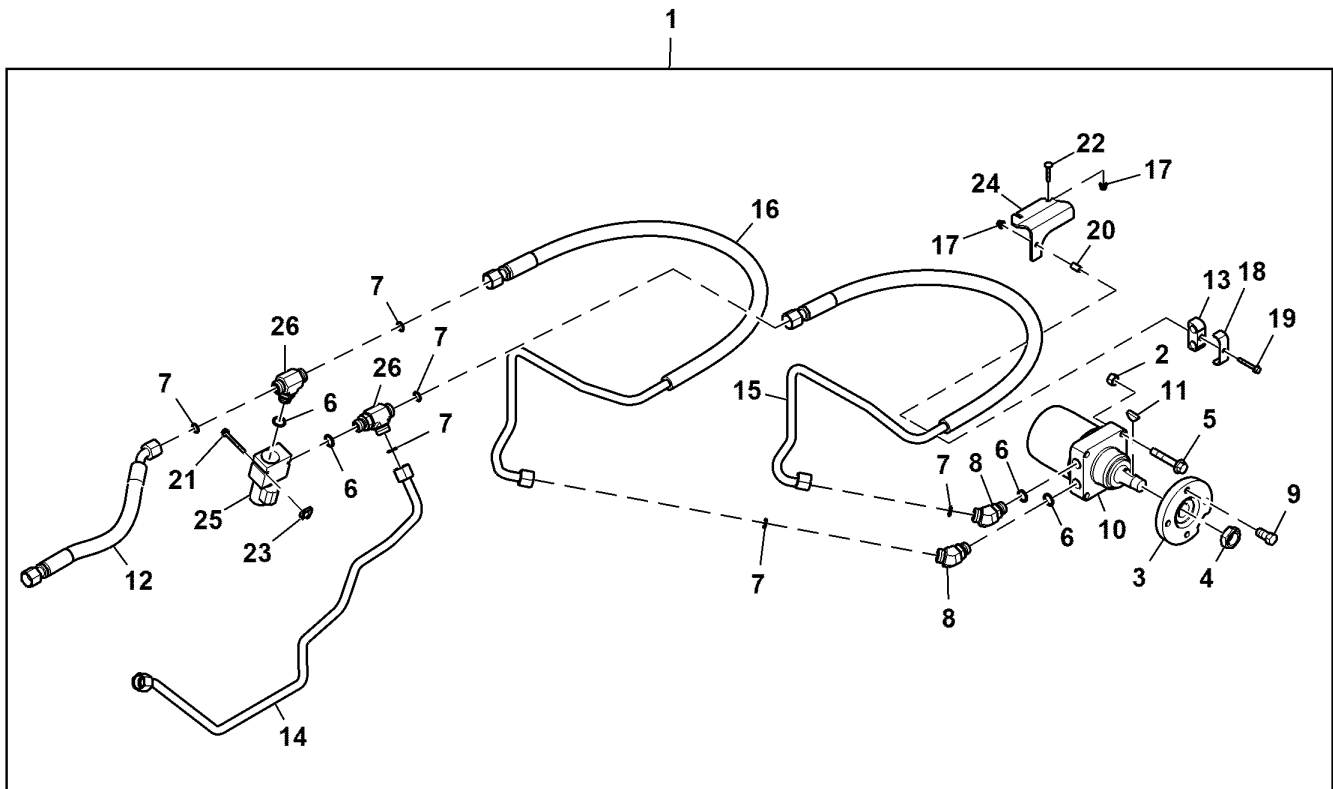


TC595806

Three Wheel Drive Kit  
 Three Wheel Drive Kit  
 Three Wheel Drive Kit  
 Three Wheel Drive Kit  
 Three Wheel Drive Kit  
 Three Wheel Drive Kit



PU48169 A.1

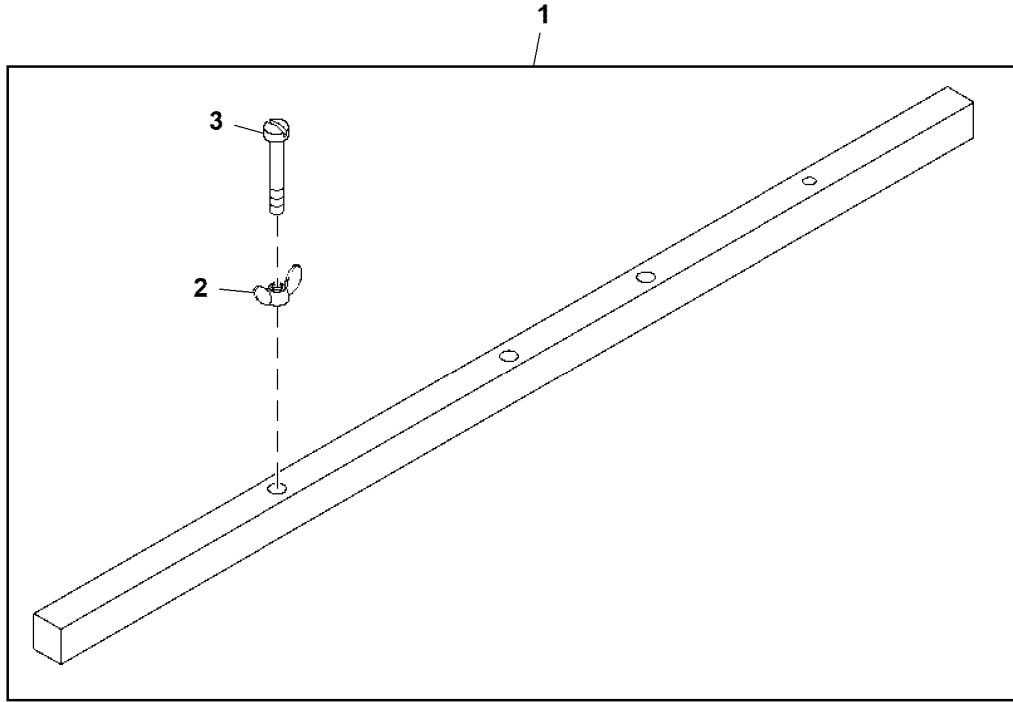


PU48169

Key	Part No.	Part Name	Qty.	Serial No.	Remarks
1	BUC11158	Wheel Kit	1		ORDER BUC11595; SUB FOR BTC11026
	BUC11595	Wheel Kit	1		
2	14M7275	Nut	4		M12
3	TCU33820	Hub	1		
4	MT2119	Nut	2		
5	19M7817	Screw	4		M12 X 70
6	R26906	O-Ring	4		
7	T77932	O-Ring	6		
8	38H1047	Elbow Fitting	2		
9	JD22	Wheel Bolt	4		
10	DMA210218	Hydraulic Motor	1		INCLUDES 26M7008, TCA18042 AND MT2119
11	26M7008	Shaft Key	1		8 X 28 mm
12	AUC20395	Hydraulic Hose	1		SUB FOR AUC10931, E-Hydraulic Pump to 3WD Valve
13	R184067	Clamp	1		
14	AUC20394	Oil Line	1		SUB FOR AUC10928, Front Traction Port Cross Line to 3WD Valve
15	AUC18579	Hydraulic Hose	1		Front Traction Port Cross Line to Rear Motor, SUB FOR AUC10915
16	AUC18580	Hydraulic Hose	1		Rear Motor to E-Hydraulic Pump, SUB FOR AUC10916
17	14M7397	Lock Nut	3		M6
18	R184062	Clamp	1		
19	19M8321	Screw	1		M6 X 45
20	TCU34008	Bushing	1		
21	19M9010	Screw	2		M6 X 55
22	03M7269	Bolt	2		M6 X 35
23	M84972	Nut	2		
24	UC12196	Bracket	1		
25	AUC10967	Solenoid Hydraulic Valve	1		ORDER AUC17342; INCLUDES AKK11201, AXE27435 AND AXE25429
	AUC17342	Solenoid Hydraulic Valve	1		INCLUDES AKK11201, AXE27435, AXE25429 AND UC27057
26	38H3025	Tee Fitting	2		SUB FOR APPL 38H1018
27	AKK11201	Valve	1		Not Illustrated
28	AXE27435	Solenoid Valve Coil	1		Not Illustrated
29	AXE25429	Seal Kit	1		Not Illustrated
30	UC27057	Bracket Kit	1		USE WITH AUC17342, Cartridge Valve Retention, Not Illustrated
31	TCA18042	Seal Kit	1		Not Illustrated

Gage Bar Kit, Height of Cut  
 Gage Bar Kit, Height of Cut  
 Gage Bar Kit, Height of Cut  
 Gage Bar Kit, Height of Cut  
 Gage Bar Kit, Height of Cut  
 Gage Bar Kit, Height of Cut

PU38668 A.1

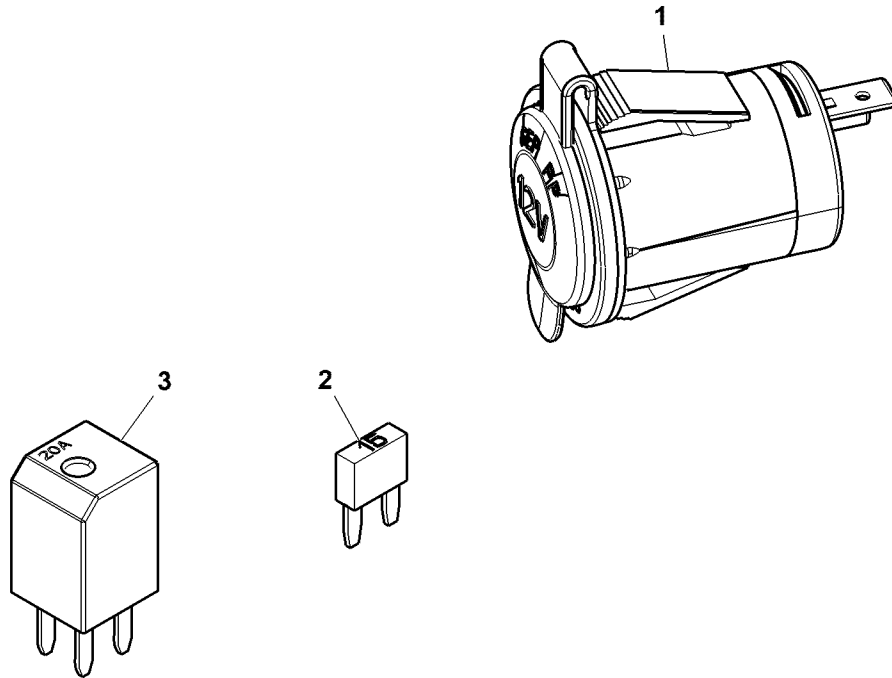


PU38668

Key	Part No.	Part Name	Qty.	Serial No.	Remarks
1	AMT2978	Guide Bar	1		
2	14M7019	Wing Nut	3		M6
3	21M5631	Screw	3		M6 X 45

Power Port Components  
 Power Port Components  
 Power Port Components  
 Power Port Components  
 Power Port Components  
 Power Port Components

BTC10350A A.1



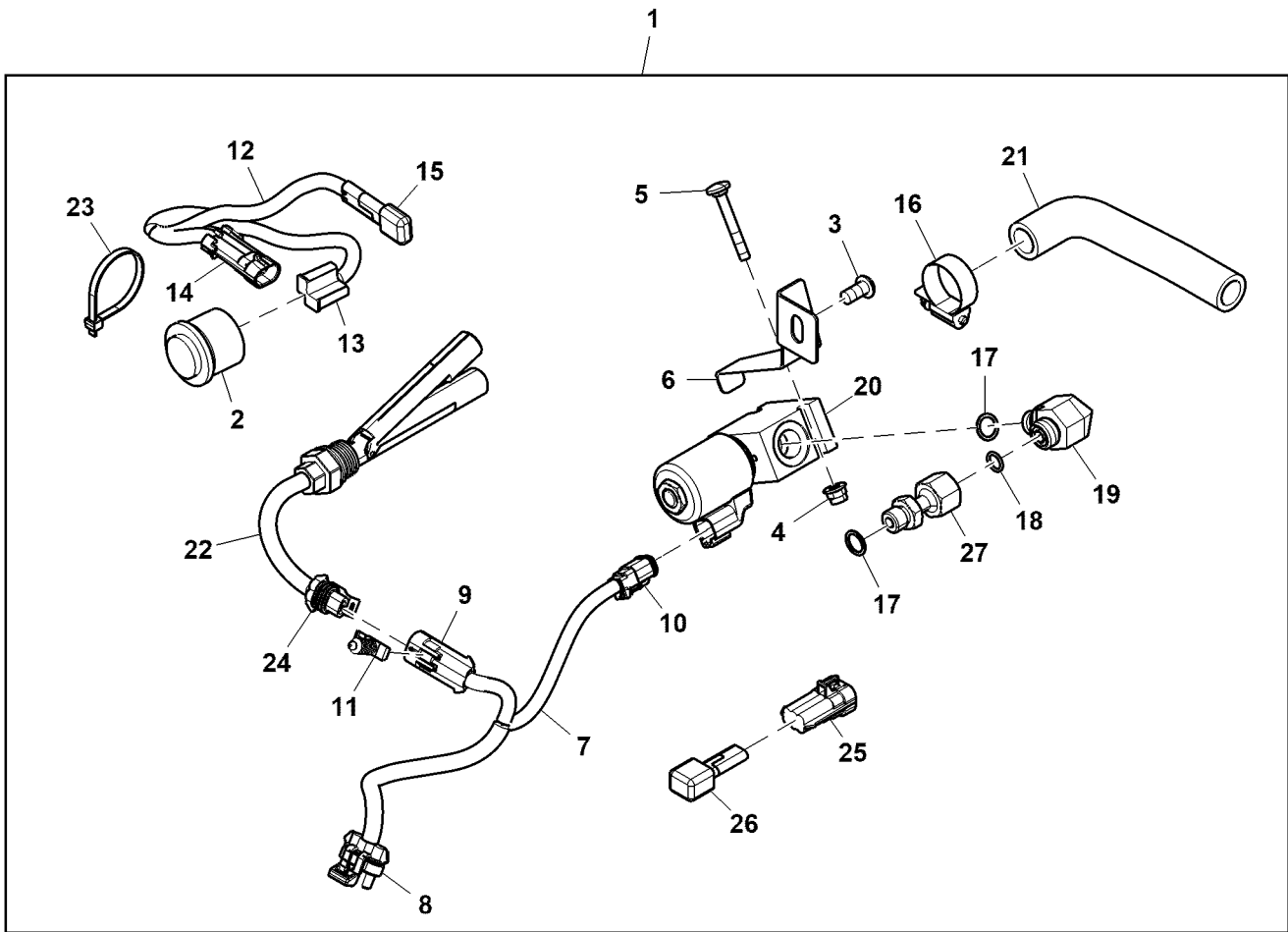
BTC10350A

Key	Part No.	Part Name	Qty.	Serial No.	Remarks
1	M166830	Socket Outlet	1	12 V	
2	57M7690	Fuse	1	15 A	
3	AT318410	Relay	1	12 V	

Hydraulic Leak Detector Kit  
Hydraulic Leak Detector Kit  
Hydraulic Leak Detector Kit  
Hydraulic Leak Detector Kit  
Hydraulic Leak Detector Kit  
Hydraulic Leak Detector Kit



BUC11591A A.1



BUC11591A

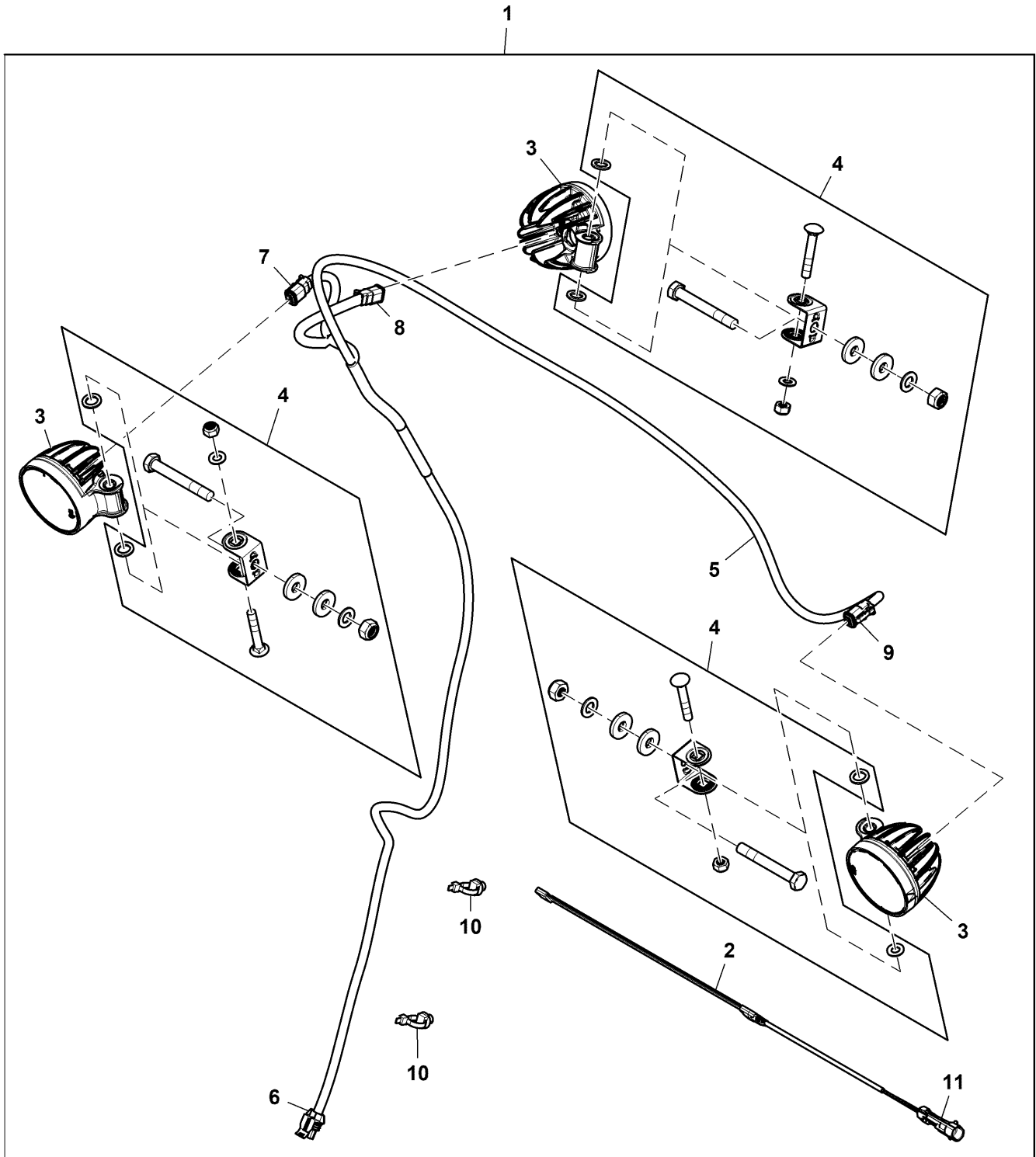


Key	Part No.	Part Name	Qty.	Serial No.	Remarks
1	BUC11591	Kit	1		SUB FOR BUC10123
2	AM131182	Audible Warning Alarm	1		
3	21M7536	Screw	1		M8 X 16
4	14M7397	Lock Nut	1		M6
5	03M7280	Bolt	1		M6 X 45
6	UC17146	Bracket	1		Hydraulic Valve Mounting
7	AUC11544	Harness Kit	1		Leak Detector Control
8	57M7840	Elec. Connector Housing	1		X1, Leak Detector Interconnect
	57M10770	Elec. Connector Terminal	4		Cavity A, B, C, D
	57M9215	Elec. Connector Seal	4		Cavity A, B, C, D
9	57M7469	Electrical Connector Assy	1		
	57M7256	Elec. Connector Housing	1		S14, Leak Detector Software
	R104919	Elec. Connector Terminal	2		Cavity A, B
	57M9215	Elec. Connector Seal	2		Cavity A, B
	57M9712	Elec. Connector Accessory	1		
10	57M7534	Elec. Connector Housing	1		Y14, Leak Detector Reset Solenoid
	57M7546	Elec. Connector Terminal	2		Cavity 1, 2
	57M7620	Electrical Connector Assy	1		
11	57M11909	Elec. Connector Accessory	1		
12	AUC12123	Harness Kit	1		Leak Detector Alarm
13	57M8812	Elec. Connector Housing	1		Y15, Buzzer
	T108012	Elec. Connector Terminal	2		Cavity A, B
14	57M7985	Electrical Connector Assy	1		X2, Leak Detector Interconnect Alarm
	R104919	Elec. Connector Terminal	2		Cavity A, B
	57M9883	Elec. Connector Cable Seal	2		Cavity A, B
	57M9712	Elec. Connector Accessory	1		
15	TCA16735	Resistor	1		R9, Buzzer Pull Up Resistor
	57M10963	Elec. Connector Terminal	1		Cavity A
	57M10962	Elec. Connector Terminal	1		Cavity B
16	TY22466	Hose Clamp	1		
17	R26448	O-Ring	2		
18	T77613	O-Ring	1		
19	38H3004	Adapter Fitting	1		
20	TCA22013	Solenoid Hydraulic Valve	1		INCLUDES AE71183, AE73079, AT340063, AUC15960 AND AUC15961
21	UC18853	Hydraulic Hose	1		
22	AUC14348	Level Switch	1		Hydraulic
23	H77698	Tie Band	1		
24	57M7254	Elec. Connector Housing	1		
	R104846	Elec. Connector Terminal	1		
	57M7258	Elec. Connector Seal	1		
	57M7289	Elec. Connect Locking Device	1		
25	57M7263	Elec. Connector Housing	1		
26	TCA19604	Resistor	1		1 Watt
27	38H3067	Adapter Fitting	1		
28	AE71183	O-Ring Kit	2		Not Illustrated
29	AE73079	Solenoid Valve	1		INCLUDES AE71183, Not Illustrated
30	AT340063	Solenoid Valve Coil	1		Not Illustrated
31	AUC15960	Nut Kit	1		Not Illustrated
32	AUC15961	Washer Kit	1		Not Illustrated

Front, Rear, and Centre Light Kit  
Front, Rear, and Centre Light Kit  
Front, Rear, and Centre Light Kit  
Front, Rear, and Centre Light Kit  
Front, Rear, and Centre Light Kit  
Front, Rear, and Centre Light Kit



PU40533 A.1



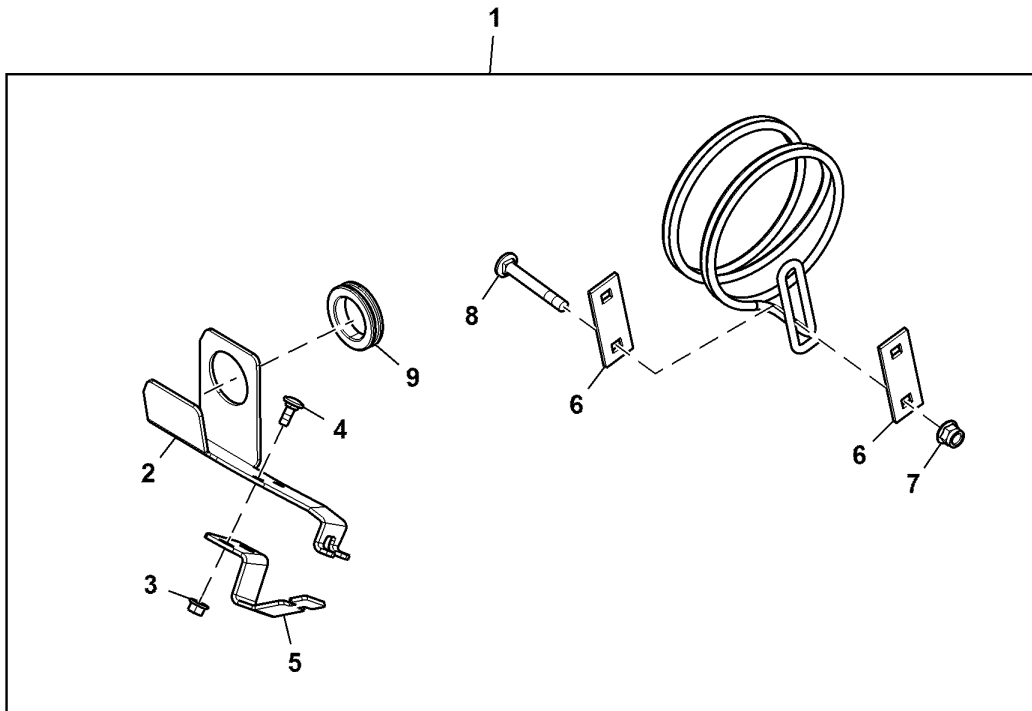
PU40533

Key	Part No.	Part Name	Qty.	Serial No.	Remarks
1	BUC10430	Light Kit	1		
2	UC26082	Light Bar	1		
3	AUC13658	Floodlamp	3		12 V, INCLUDES AUC14033, LED
4	AUC14033	Hardware Kit	3		
5	AUC12124	Harness Kit	1		
6	57M7328	Elec. Connector Housing	1		X3, RH, Work Light Interconnect
	57M10770	Elec. Connector Terminal	2		Cavity A, B
	57M9883	Elec. Connector Cable Seal	2		Cavity A, B
	57M7289	Elec.Connect Locking Device	1		
7	57M7534	Elec. Connector Housing	1		E3, Rear Work Light
	R78065	Elec. Connector Terminal	2		Cavity 1, 2
	57M7620	Electrical Connector Assy	1		
8	57M7534	Elec. Connector Housing	1		E2, Front Work Light 2
	R78065	Elec. Connector Terminal	2		Cavity 1, 2
	57M7620	Electrical Connector Assy	1		
9	57M7534	Elec. Connector Housing	1		E1, Front Work Light 1
	R78065	Elec. Connector Terminal	2		Cavity 1, 2
	57M7620	Electrical Connector Assy	1		
10	TCU29933	Clip	2		
11	57M7985	Electrical Connector Assy	1		
	R104919	Elec. Connector Terminal	2		
	57M7289	Elec.Connect Locking Device	2		Cavity A, B

Dew Whip Holder Kit  
 Dew Whip Holder Kit  
 Dew Whip Holder Kit  
 Dew Whip Holder Kit  
 Dew Whip Holder Kit  
 Dew Whip Holder Kit



PU38670 A.1



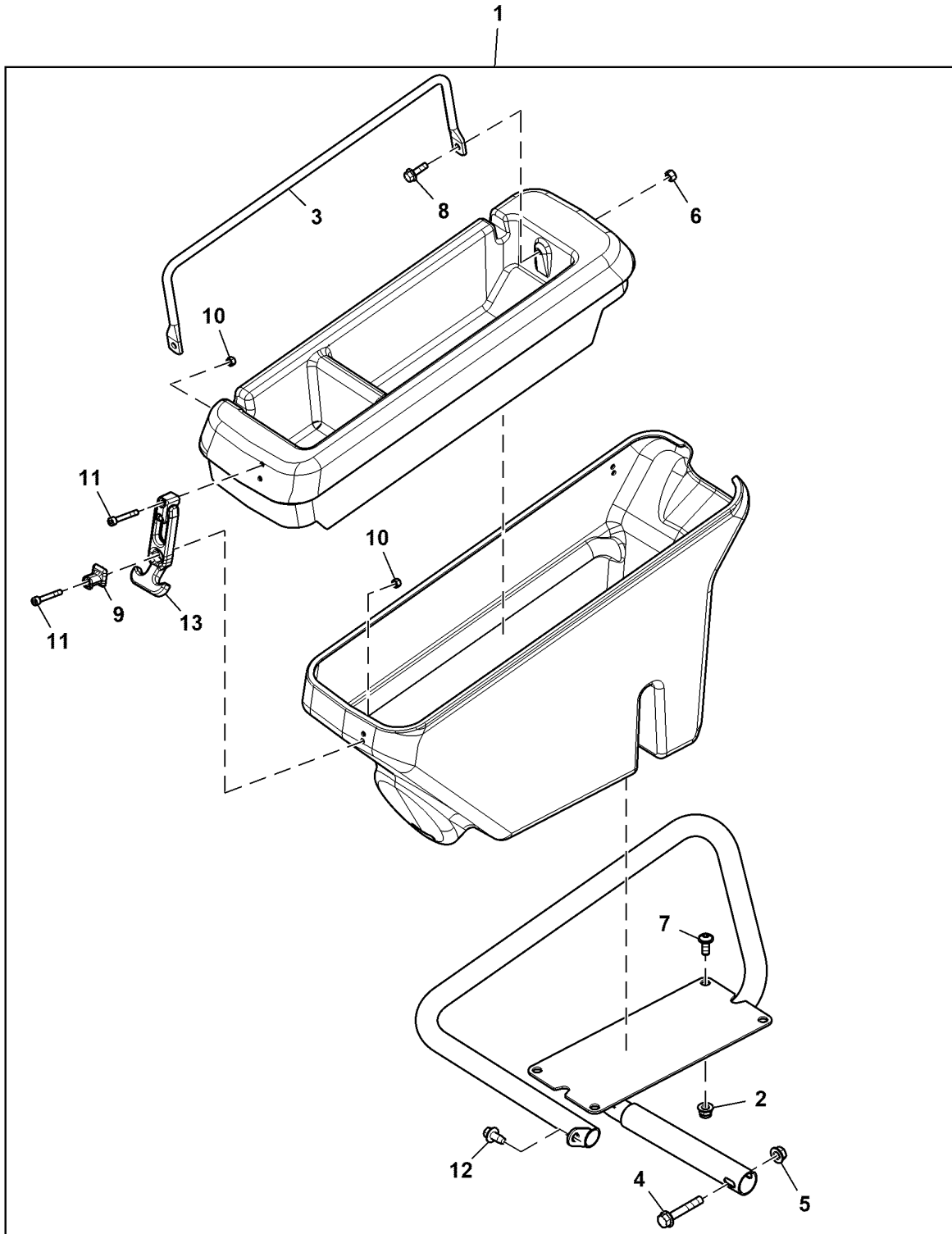
PU38670

Key	Part No.	Part Name	Qty.	Serial No.	Remarks
1	BUC10540	Holder Kit	1		
2	UC19833	Bracket	1		
3	14M7608	Flange Nut	2		M6
4	03M7221	Bolt	2		M6 X 16
5	UC19834	Bracket	1		
6	TCU37604	Strap	2		
7	14M7396	Lock Nut	2		M8
8	03M7223	Bolt	2		M8 X 60
9	UC23038	Grommet	1		



Storage Compartment Kit  
Storage Compartment Kit  
Storage Compartment Kit  
Storage Compartment Kit  
Storage Compartment Kit  
Storage Compartment Kit

PU38671 A.1

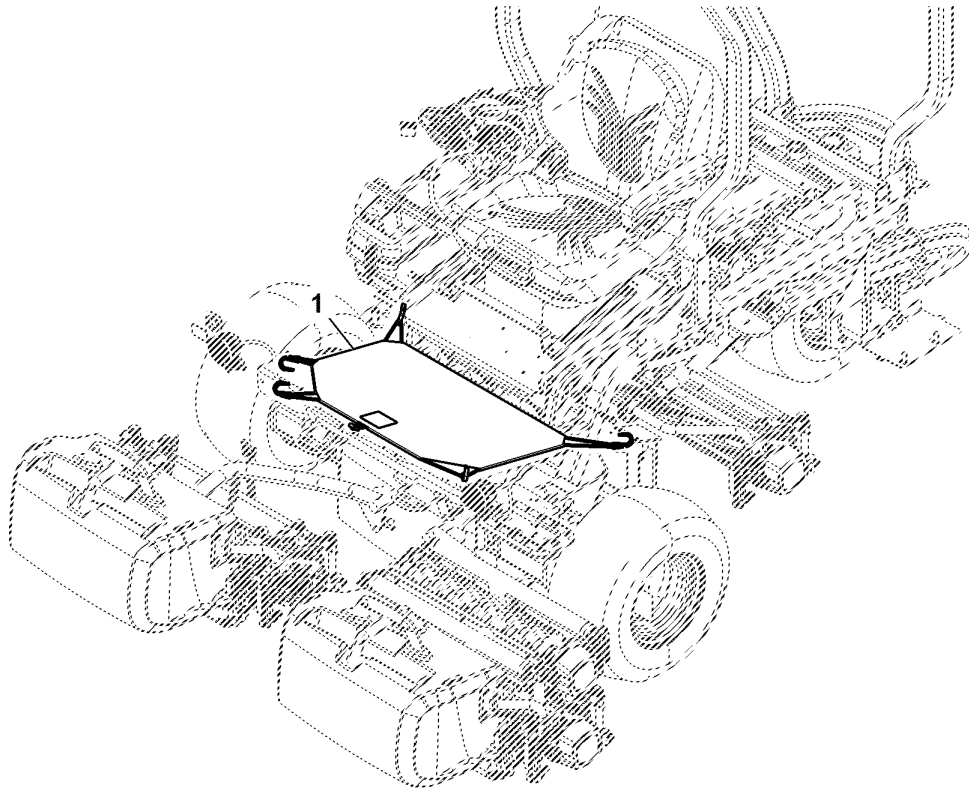


PU38671

Key	Part No.	Part Name	Qty.	Serial No.	Remarks
1	BUC10541	Kit	1		
2	14M7396	Lock Nut	4		M8
3	UC19885	Handle	1		
4	19M7800	Screw	1		M8 X 50
5	14M7298	Flange Nut	1		M8
6	14M7528	Lock Nut	2		M6
7	LVU17025	Screw	4		
8	19M10846	Screw	2		M6 X 20
9	UC25359	Latch	2		
10	14M7572	Lock Nut	6		M5
11	19M8669	Screw	6		M5 X 35
12	37M7463	Screw	1		M8 X 16
13	UC25358	Latch	2		Draw, Flexible

Platform Cover  
 Platform Cover  
 Platform Cover  
 Platform Cover  
 Platform Cover  
 Platform Cover

PU38672 A.1



PU38672

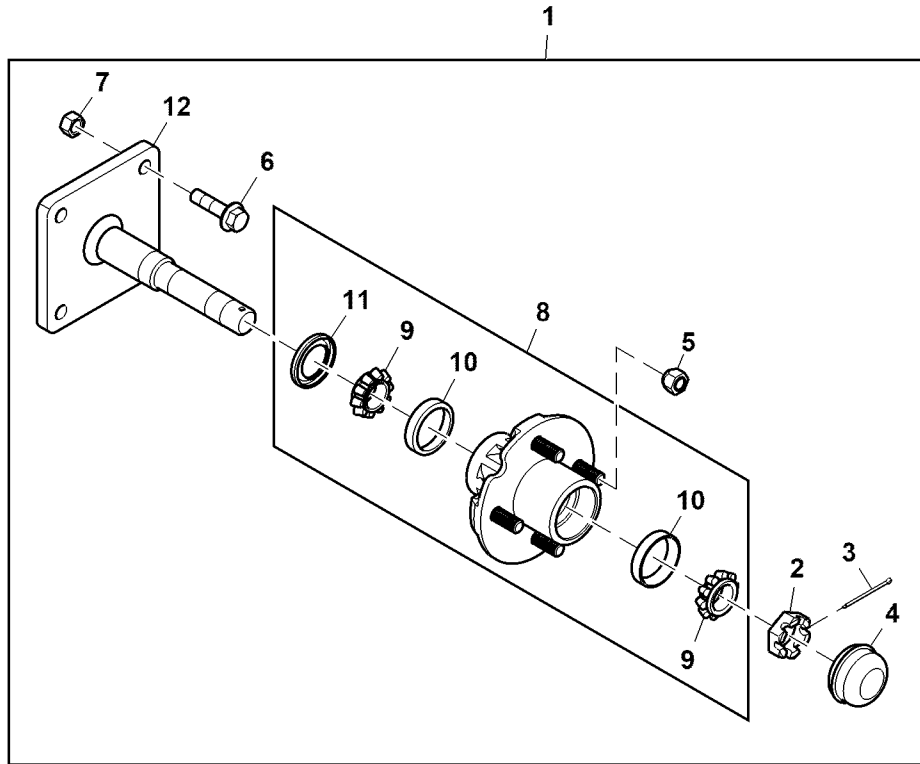
Key	Part No.	Part Name	Qty.	Serial No.	Remarks
1	BUC10583	Platform	1		



Two Wheel Drive Kit  
 Two Wheel Drive Kit  
 Two Wheel Drive Kit  
 Two Wheel Drive Kit  
 Two Wheel Drive Kit  
 Two Wheel Drive Kit



PU38659 A.1

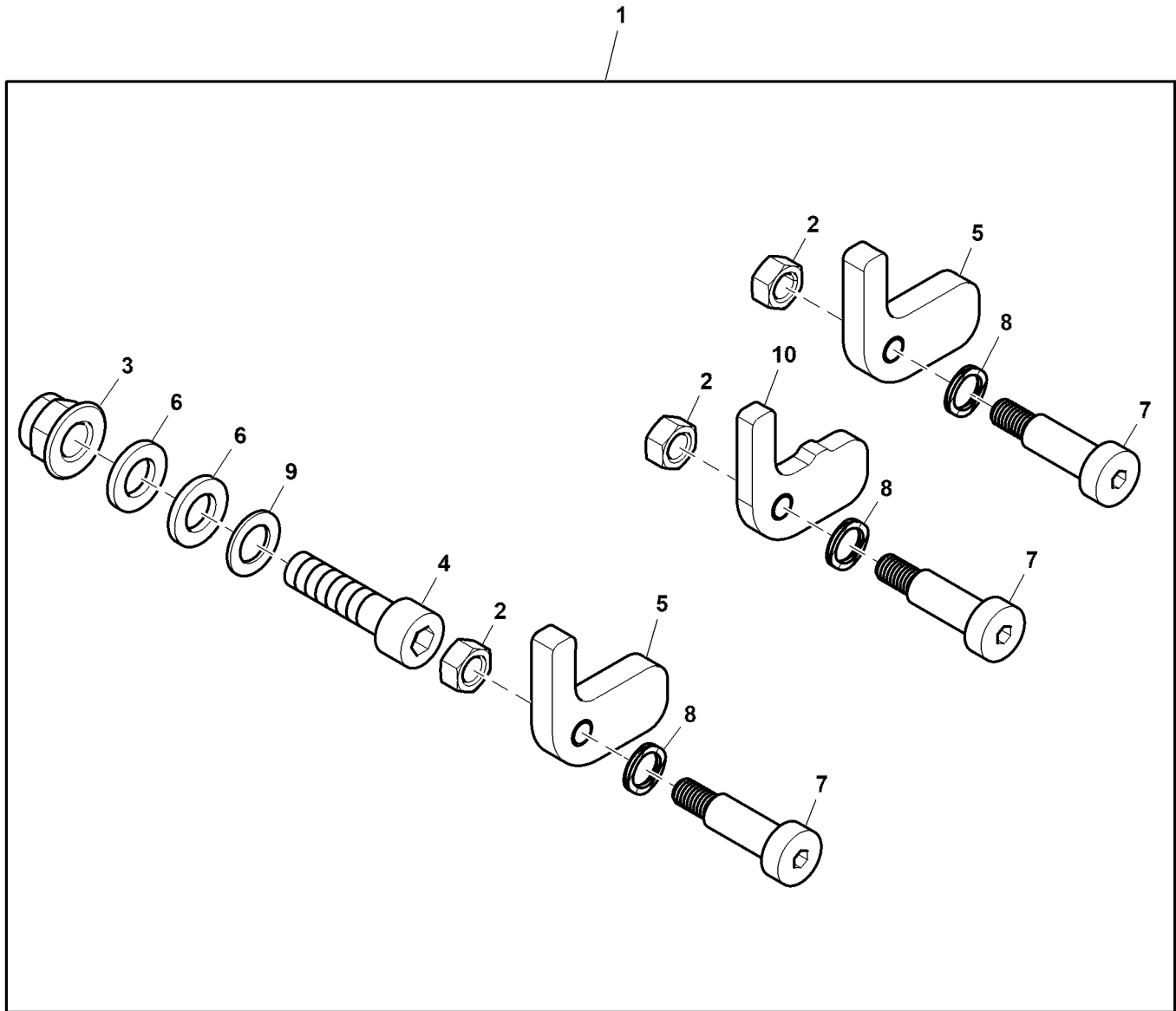


PU38659

Key	Part No.	Part Name	Qty.	Serial No.	Remarks
1	BTC11025	Kit	1		
2	A12188	Lock Nut	1		
3	11M7083	Cotter Pin	1		3.200 X 50 mm
4	M135582	Cap	1		
5	A45904	Nut	4		
6	19M7813	Screw	4		M12 X 45
7	14M7275	Nut	4		M12
8	AUC10748	Hub	1		
9	JD8933	Bearing Cone	2		
10	JD8253	Bearing Cup	2		
11	E14625	Seal	1		
12	AUC10749	Shaft	1		

Stop Kit  
Stop Kit  
Stop Kit  
Stop Kit  
Stop Kit  
Stop Kit

PU39290 A.1

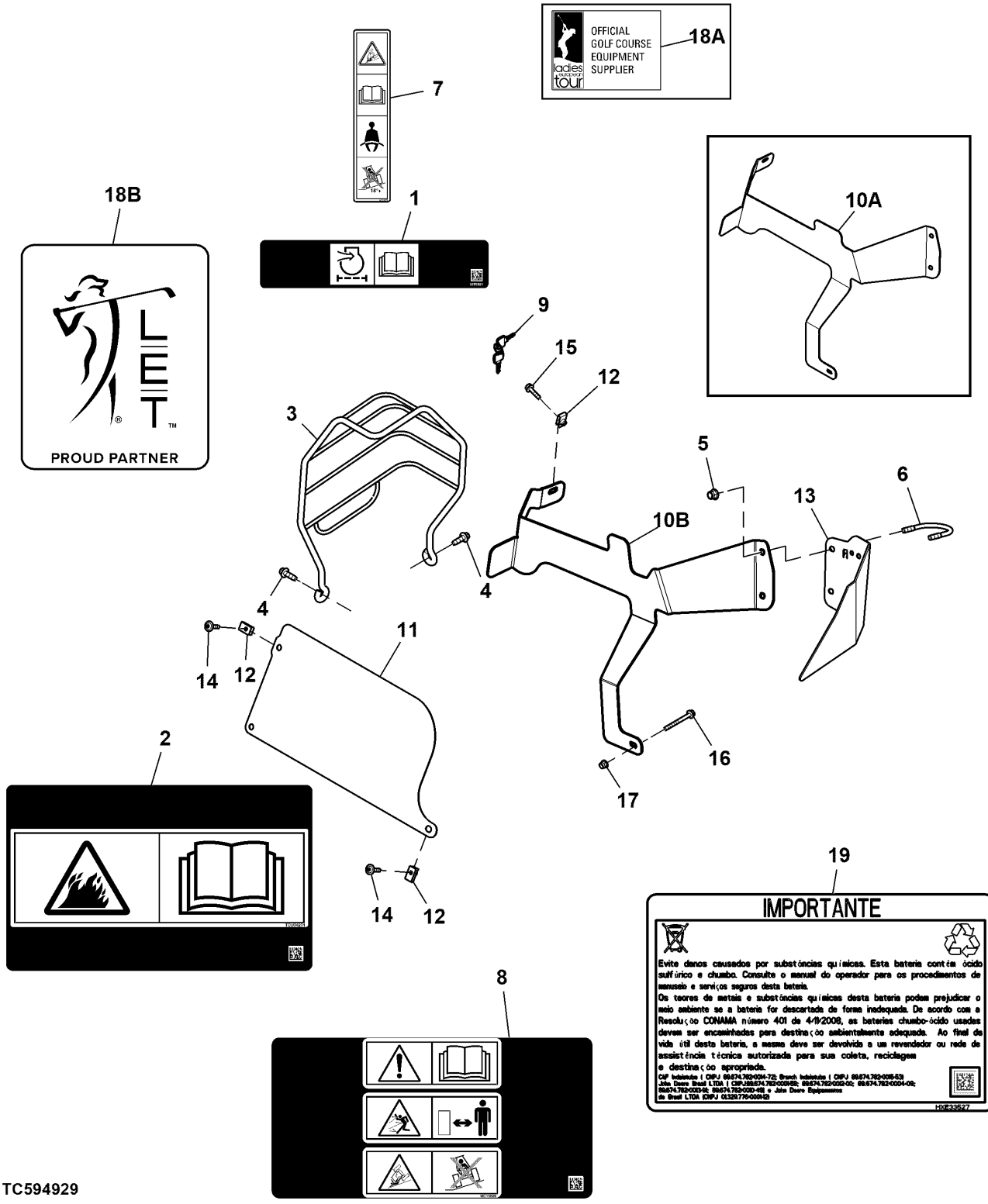


PU39290

Key	Part No.	Part Name	Qty.	Serial No.	Remarks
1	BUC10616	Stop Kit	1		
2	14M7272	Nut	6		M6
3	14M7396	Lock Nut	6		M8
4	19M7561	Screw	6		M8 X 30
5	UC18561	Plate	4		
6	24M7037	Washer	8		9 X 16 X 2 mm
7	T383235	Bolt	6		
8	SU23101	Spring	6		
9	24M7324	Washer	6		9 X 15 X 1 mm
10	UC22490	Plate	2		

Muffler Guard Components with Labels (Not for Canada and USA)  
 Muffler Guard Components with Labels (Not for Canada and USA)  
 Muffler Guard Components with Labels (Not for Canada and USA)  
 Muffler Guard Components with Labels (Not for Canada and USA)  
 Muffler Guard Components with Labels (Not for Canada and USA)  
 Muffler Guard Components with Labels (Not for Canada and USA)

TC594929 A.1

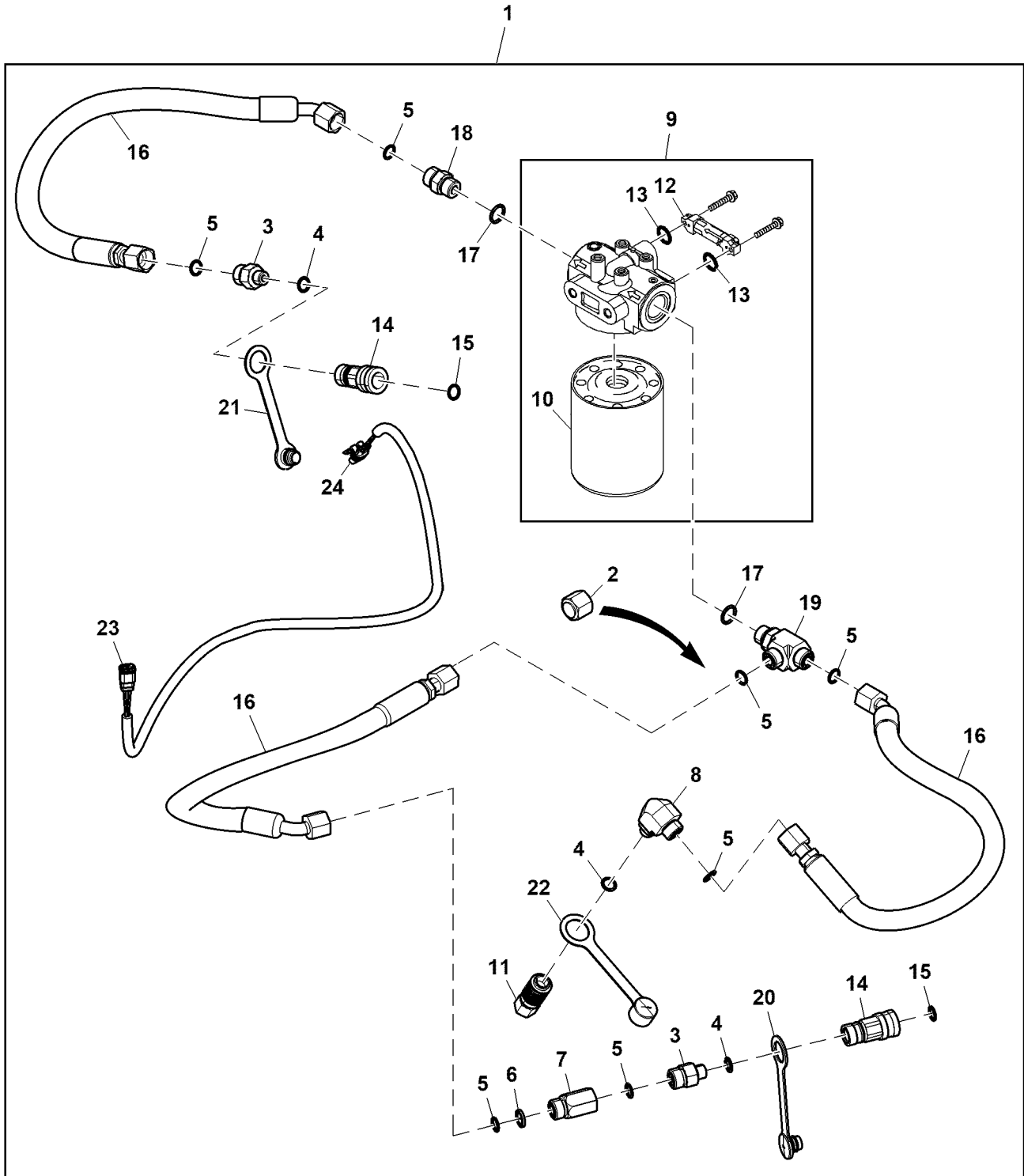


TC594929

Key	Part No.	Part Name	Qty.	Serial No.	Remarks
1	MT6351	Label	1		Air Cleaner
2	TCU34231	Label	1		Clean Out, No Text
3	UC19178	Guard	1		Muffler
4	37M7461	Screw	2		M8 X 25
5	14M7396	Lock Nut	4		M8
6	A94703	U-Bolt	2		
7	UC22871	Label	1		Danger
8	UC15820	Label	1		Caution
9	AR51481	Key	1		
10A	UC27955	Guard	1	-050000	Back
10B	UC31466	Guard	1	050001-	Back
11	UC27766	Guard	1		Front
12	M84972	Nut	4		
13	UC19179	Guard	1		Belt
14	T372848	Screw	3		
15	19M7863	Screw	1		M6 X 25
16	19M8040	Screw	1		M6 X 60
17	14M7397	Lock Nut	1		M6
18A	TCU25391	Label	1		Ladies European Tour
18B	UC29273	Label	1		SUB FOR TCU25391, Ladies European Tour
19	HXE33527	Label	1		Sign, Battery

Hydraulic Filtration Kit  
Hydraulic Filtration Kit  
Hydraulic Filtration Kit  
Hydraulic Filtration Kit  
Hydraulic Filtration Kit  
Hydraulic Filtration Kit

PU48400 A.1



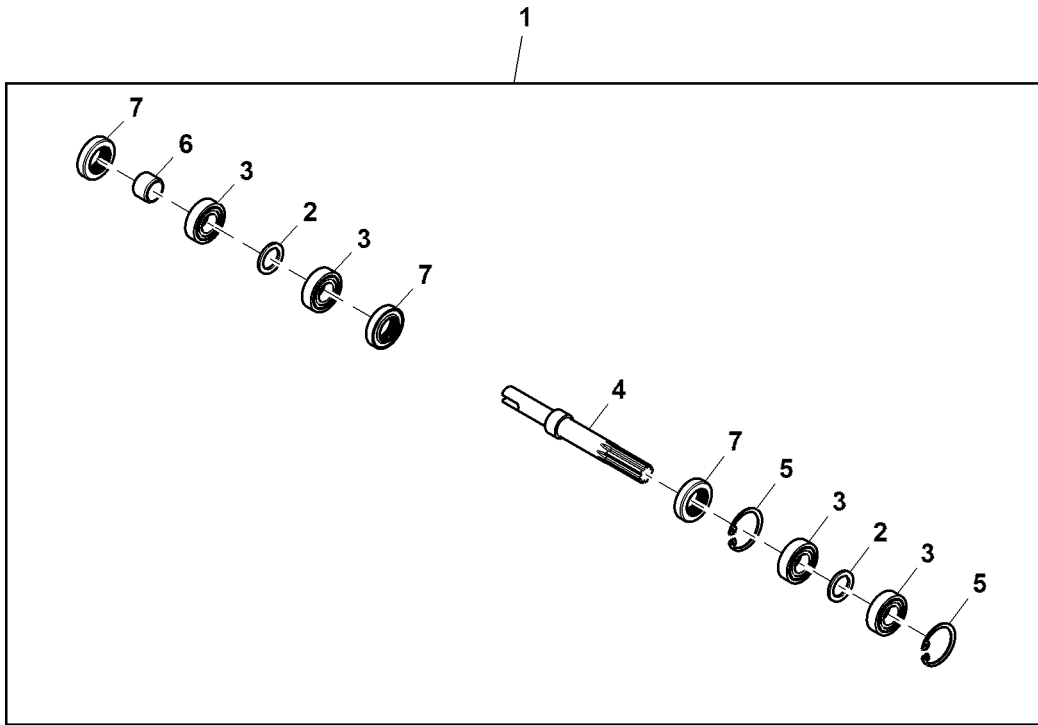
PU48400

Key	Part No.	Part Name	Qty.	Serial No.	Remarks
1	BUC11308	Filter Kit	1		
2	38H1416	Fitting	1		
3	38H1173	Adapter Fitting	2		
4	R26448	O-Ring	3		
5	T77857	O-Ring	7		
6	T317396	Orifice	1		
7	TCA23662	Check Valve	1		
8	38H1314	Elbow Fitting	1		
9	AMT2018	Filter Head	1		INCLUDES LVU14258
10	AM102723	Oil Filter	1		
11	AT320523	Hyd. Quick-Connect Coupler	1		
12	MT6738	Air Restriction Indicator	1		
13	T105826	O-Ring	2		
14	AM102487	Hydr. Quick Coupler Socket	2		
15	32246	O-Ring	2		
16	AUC10918	Hydraulic Hose	3		
17	R26375	O-Ring	2		
18	38H1161	Adapter Fitting	1		
19	38H1024	Tee Fitting	1		
20	M132031	Plug	1		
21	M132032	Plug	1		
22	UC28710	Plug	1		Dust Cover
23	57M7534	Elec. Connector Housing	1		Y5, Lift / Lower Solenoid
	R78065	Elec. Connector Terminal	2		Cavity 1, 2
	57M7620	Electrical Connector Assy	1		
24	57M7328	Elec. Connector Housing	1		X03, Work Light Kit, Interconnect, RH
	57M10770	Elec. Connector Terminal	2		Cavity A, B
	57M9883	Elec. Connector Cable Seal	2		Cavity A, B
	57M9712	Elec. Connector Accessory	1		
25	LVU14258	Filter	1		Not Illustrated

Conditioner Drive Repair Kit  
 Conditioner Drive Repair Kit  
 Conditioner Drive Repair Kit  
 Conditioner Drive Repair Kit  
 Conditioner Drive Repair Kit



PU27278 A.1



PU27278

Key	Part No.	Part Name	Qty.	Serial No.	Remarks
1	BUC10283	Drive	1		
2	24M3527	Washer	2		17 X 24 X 2 mm
3	UC14112	Ball Bearing	4		
4	TCU38483	Shaft	1		
5	40M1856	Snap Ring	2		
6	TCU38554	Spacer	1		
7	UC14089	Seal	3		Grease Triple Lip

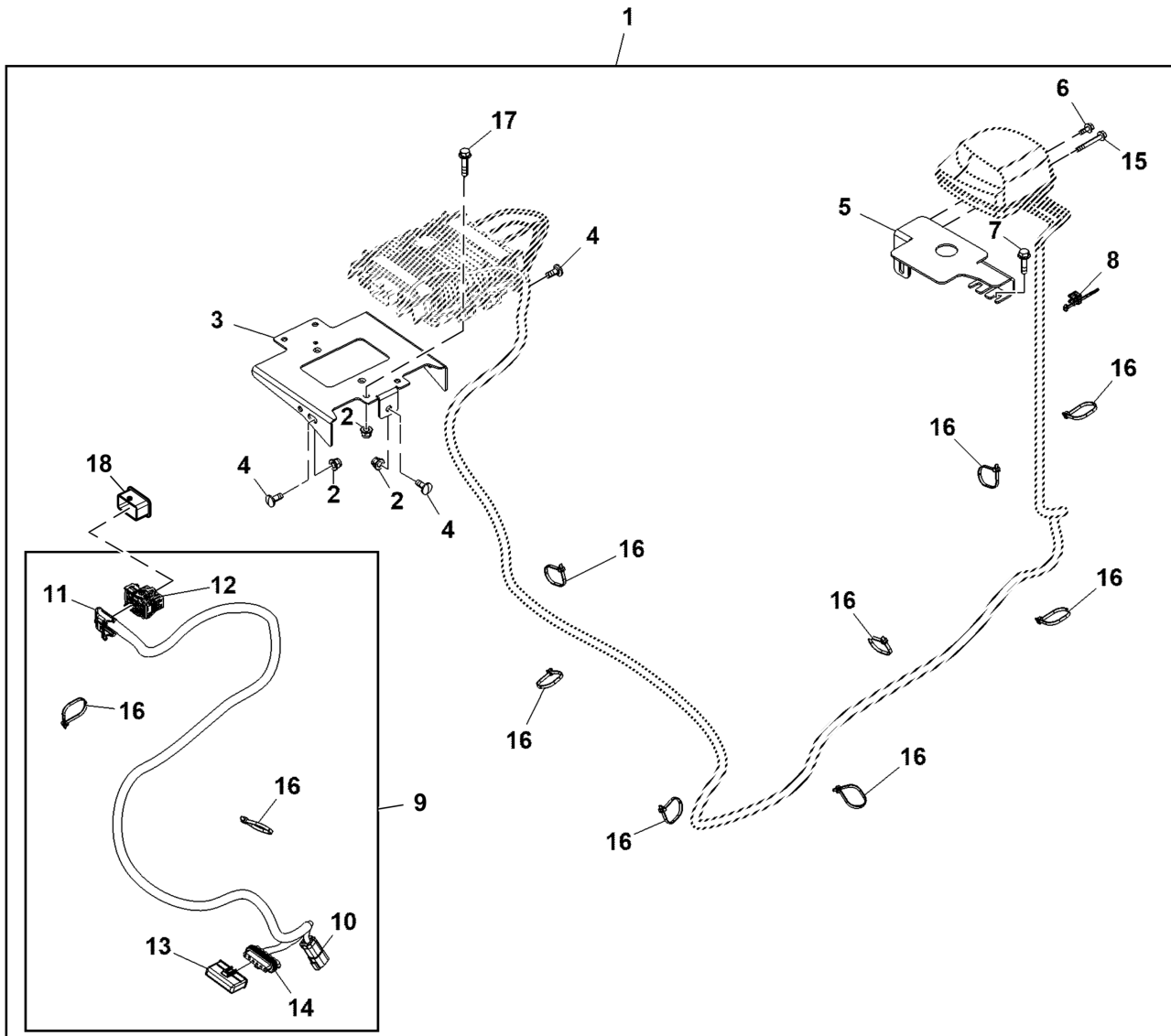




Mobile Communication Equipment Kit, Telematics. High Performing Antenna  
 Mobile Communication Equipment Kit, Telematics. High Performing Antenna  
 Mobile Communication Equipment Kit, Telematics. High Performing Antenna  
 Mobile Communication Equipment Kit, Telematics. High Performing Antenna  
 Mobile Communication Equipment Kit, Telematics. High Performing Antenna  
 Mobile Communication Equipment Kit, Telematics. High Performing Antenna



ETN273562E A.1



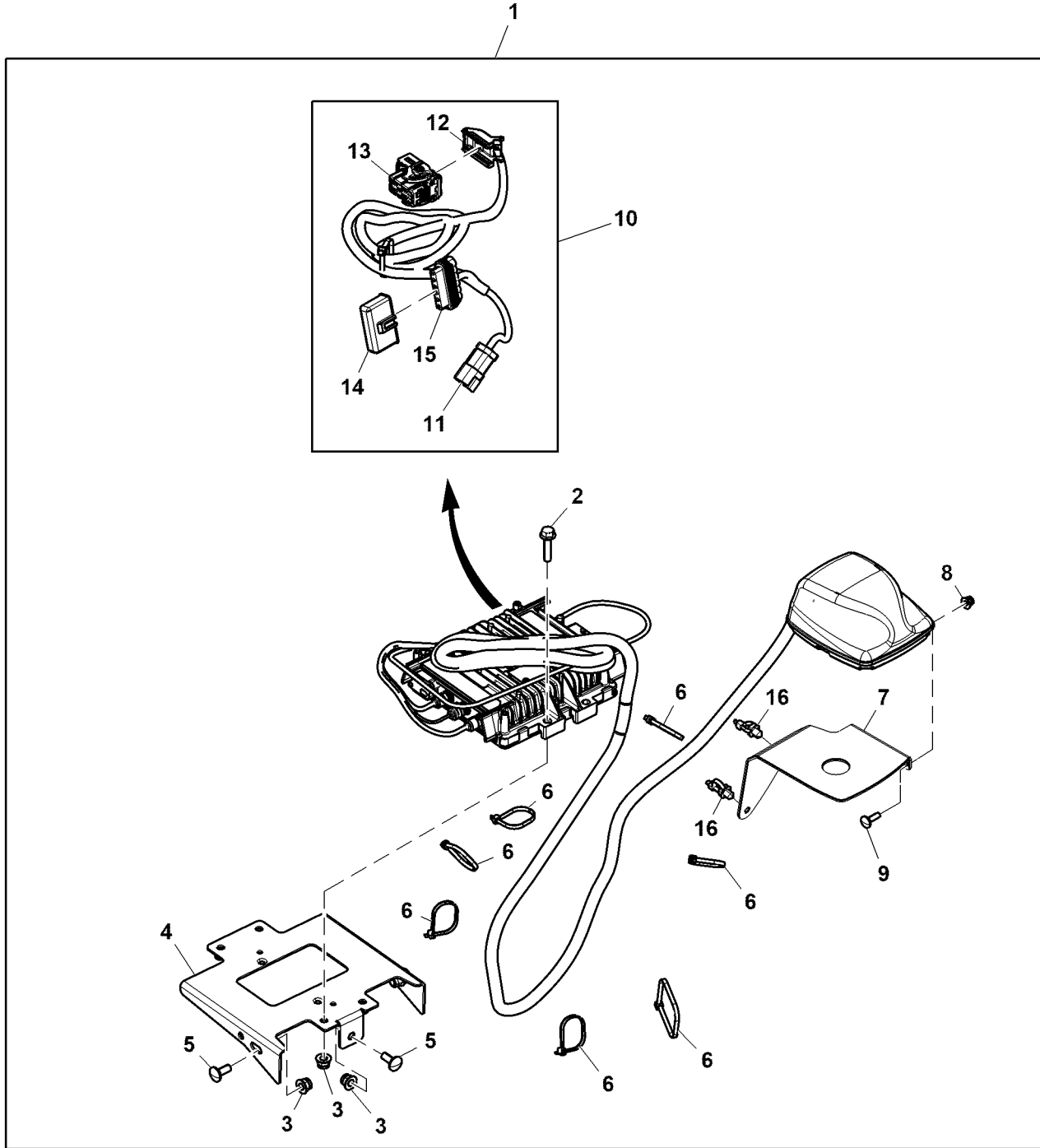
ETN273562E

Key	Part No.	Part Name	Qty.	Serial No.	Remarks
1	BUC10991	Kit	1		
2	14M7396	Lock Nut	7		M8
3	UC23078	Bracket	1		Mounting
4	03M7184	Bolt	3		M8 X 20
5	UC23586	Bracket	1		
6	19M7775	Screw	1		M6 X 16
7	19M7868	Screw	2		M8 X 30
8	AH225363	Clip	1		
9	AUC17593	Wiring Harness	1		
10	57M8739	Elec. Connector Housing	1		XC0070, Interconnect
	R78066	Elec. Connector Terminal	5		Cavity 1-4, 6
	R78069	Elec. Connector Cavity Plug	1		Cavity 5
	57M7678	Elec. Connector Terminal	1		
11	57M10613	Cover	1		
12	57M10614	Elec. Connector Housing	1		XH0001, Wifi GPS CAN Module
	57M10333	Elec. Connector Cavity Plug	38		Cavity A1-A4,B1-B4,C1-C4,D1-D4,E1-E4,F1-F4, G1-G4,H3,H4,J1-J4,K1-K4,L2-L4,M3,M4
	57M10334	Elec. Connector Cavity Plug	5		Cavity L2, L3, L4, M3, M4
	57M10330	Elec. Connector Terminal	2		Cavity H1, H2
	57M10331	Elec. Connector Terminal	3		Cavity L1,M1,M2
13	57M9408	Cover	1		
14	57M9406	Elec. Connector Accessory	1		XA0001, Fuse Block
	57M7297	Elec. Connector Terminal	4		Cavity A, B, E, F
	57M9219	Elec. Connector Seal	4		Cavity A, B, E, F
	R78064	Elec. Connector Cavity Plug	2		Cavity C, D
	57M7689	Fuse	2		10 A
	57M8326	Electrical Connector Assy	1		
15	19M8092	Screw	1		M6 X 50
16	H77698	Tie Band	14		
17	19M7897	Screw	4		M8 X 35
18	UC33923	Cap	1		

Mobile Communication Equipment Kit, Telematics, Low Performing Antenna  
 Mobile Communication Equipment Kit, Telematics, Low Performing Antenna  
 Mobile Communication Equipment Kit, Telematics, Low Performing Antenna  
 Mobile Communication Equipment Kit, Telematics, Low Performing Antenna  
 Mobile Communication Equipment Kit, Telematics, Low Performing Antenna  
 Mobile Communication Equipment Kit, Telematics, Low Performing Antenna



PU49744 A.1

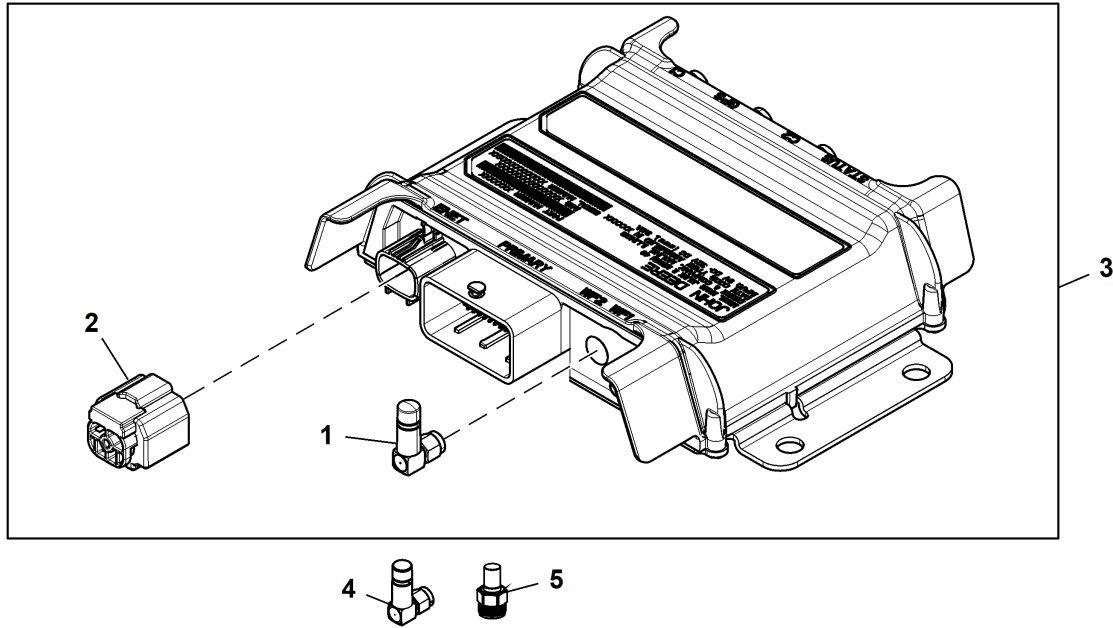


PU49744

Key	Part No.	Part Name	Qty.	Serial No.	Remarks
1	BUC11399	Mobile Communication Equip	1		
2	19M7897	Screw	4		M8 X 35
3	14M7396	Lock Nut	3		M8
4	UC23078	Bracket	1		Mounting
5	03M7184	Bolt	3		M8 X 20
6	H77698	Tie Band	7		
7	UC23080	Bracket	1		Antenna Mount
8	14M7397	Lock Nut	2		M6
9	03M7222	Bolt	2		M6 X 20
10	AUC17593	Wiring Harness	1		
11	57M8739	Elec. Connector Housing	1		XC0070, Telematics Interconnect
	R78066	Elec. Connector Terminal	5		Cavity 1 - 4, 6
	R78069	Elec. Connector Cavity Plug	1		Cavity 5
	57M7678	Elec. Connector Terminal	1		
12	57M10613	Elec. Connector Housing	1		
13	57M10614	Elec. Connector Housing	1		XH0001, Telematics Wifi Gps Can Module
	57M10333	Elec. Connector Cavity Plug	38		Cavity A1 - A4, B1 - B4, C1 - C4, D1 - D4, E1 - E4, F1 - F4, G1 - G4, H3, H4, J1 - J4, K1 - K4
	57M10334	Elec. Connector Cavity Plug	5		Cavity L2 - L4, M3, M4
	57M10330	Elec. Connector Terminal	2		Cavity H1, H2
	57M10331	Elec. Connector Terminal	3		L1, M1, M2
14	57M9408	Elec. Connector Accessory	1		
15	57M9406	Elec. Connector Accessory	1		XA0001, Fuse Block
	57M7297	Elec. Connector Terminal	4		Cavity A, B, E, F
	57M9219	Elec. Connector Seal	4		Cavity A, B, E, F
	R78064	Elec. Connector Cavity Plug	2		Cavity C, D
	57M7689	Fuse	2		10 A
	57M8326	Electrical Connector Assy	1		
16	TCU29933	Clip	2		

Electronic Control Unit, JDLINK R Modem  
 Electronic Control Unit, JDLINK R Modem  
 Electronic Control Unit, JDLINK R Modem  
 Electronic Control Unit, JDLINK R Modem  
 Electronic Control Unit, JDLINK R Modem  
 Electronic Control Unit, JDLINK R Modem

PC531787A A.1



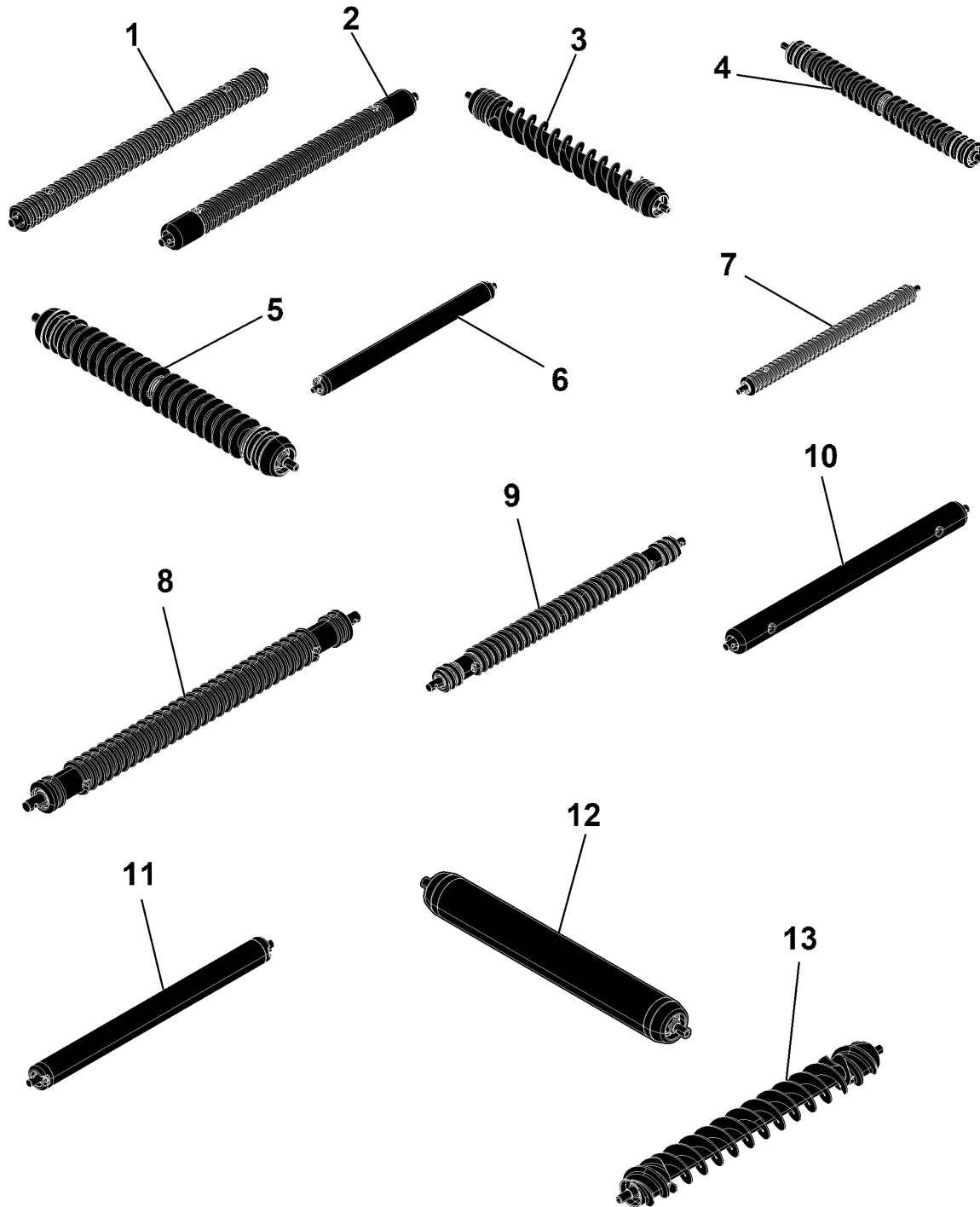
PC531787A

Key	Part No.	Part Name	Qty.	Serial No.	Remarks
1	PFA10884	Antenna	1		
2	PH50229231	Electrical Connector Assy	1		
3	PFA12692	Electronic Control Unit	1		
4	PFA12417	Antenna	1		
5	PFA12696	Antenna	1		Terminator

Sectional Pictorial Index  
 Index d'illustrations par sections.  
 Gruppenbildindex  
 Indice illustrato delle sezioni  
 Índice de ilustraciones por secciones  
 Avsnittsbildregister

PU38980 A.1

1-	240
2-	241
3-	242
4-	244
5-	246
6-	248
7-	249
8-	250
9-	251
10-	252
11-	253
12-	254
13-	256

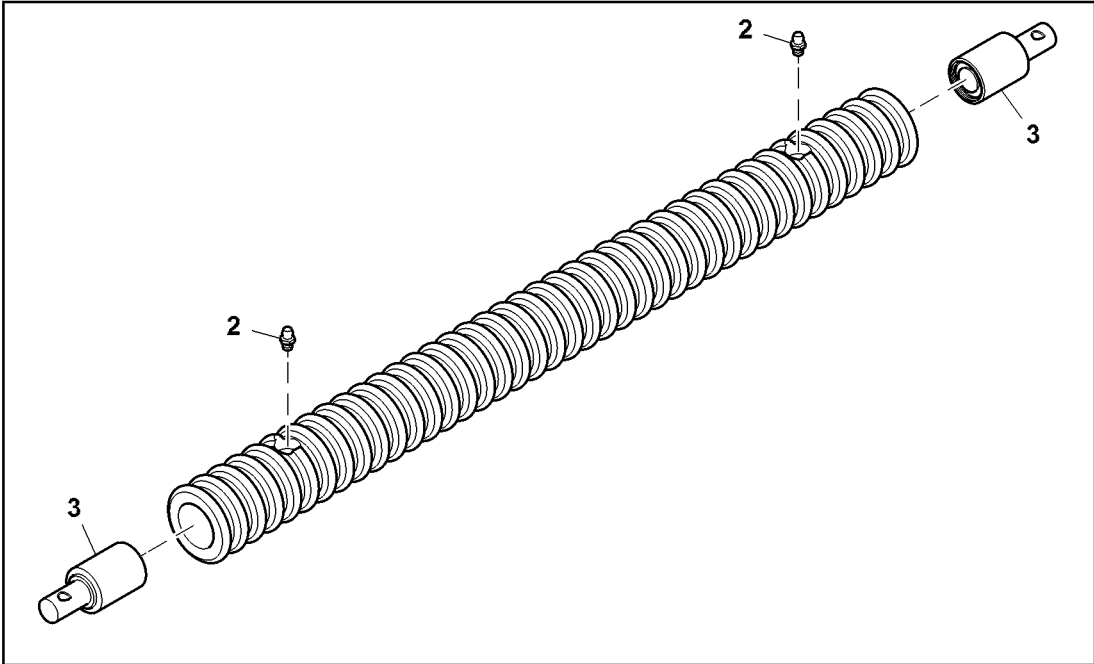


PU38980

Continuous Machine Grooved Front Roller Kit, 2 inch, QA5/QA7, 22 inch  
 Continuous Machine Grooved Front Roller Kit, 2 inch, QA5/QA7, 22 inch  
 Continuous Machine Grooved Front Roller Kit, 2 inch, QA5/QA7, 22 inch  
 Continuous Machine Grooved Front Roller Kit, 2 inch, QA5/QA7, 22 inch  
 Continuous Machine Grooved Front Roller Kit, 2 inch, QA5/QA7, 22 inch  
 Continuous Machine Grooved Front Roller Kit, 2 inch, QA5/QA7, 22 inch



PU32009 A.1



**PU32009**

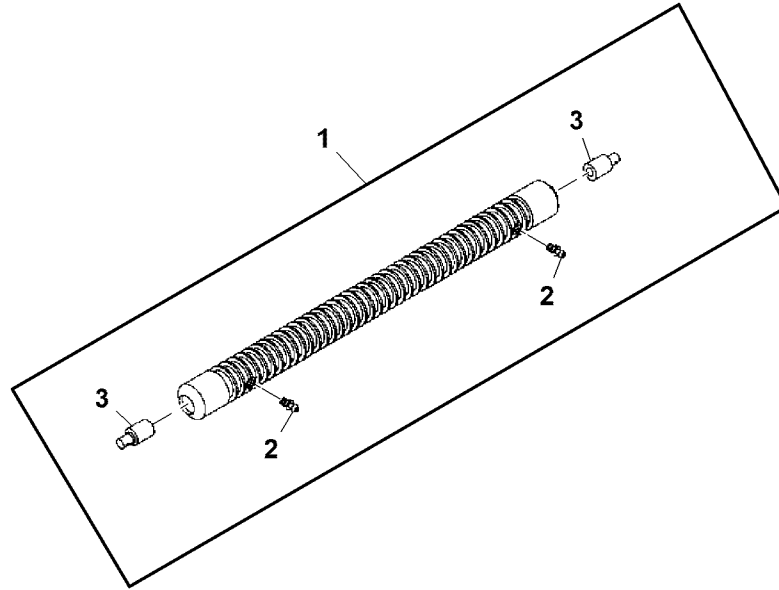
Key	Part No.	Part Name	Qty.	Serial No.	Remarks
1	BM18481	Roller Kit	1		SUB FOR AMT2877 OR AMT1061
2	JD7842	Lubrication Fitting	2		
3	TCA22836	Ball Bearing	2		



Extended Machine Grooved Front Roller Kit, 2 inch, QA5/QA7, 22 inch  
 Extended Machine Grooved Front Roller Kit, 2 inch, QA5/QA7, 22 inch  
 Extended Machine Grooved Front Roller Kit, 2 inch, QA5/QA7, 22 inch  
 Extended Machine Grooved Front Roller Kit, 2 inch, QA5/QA7, 22 inch  
 Extended Machine Grooved Front Roller Kit, 2 inch, QA5/QA7, 22 inch  
 Extended Machine Grooved Front Roller Kit, 2 inch, QA5/QA7, 22 inch



PU32010 A.1



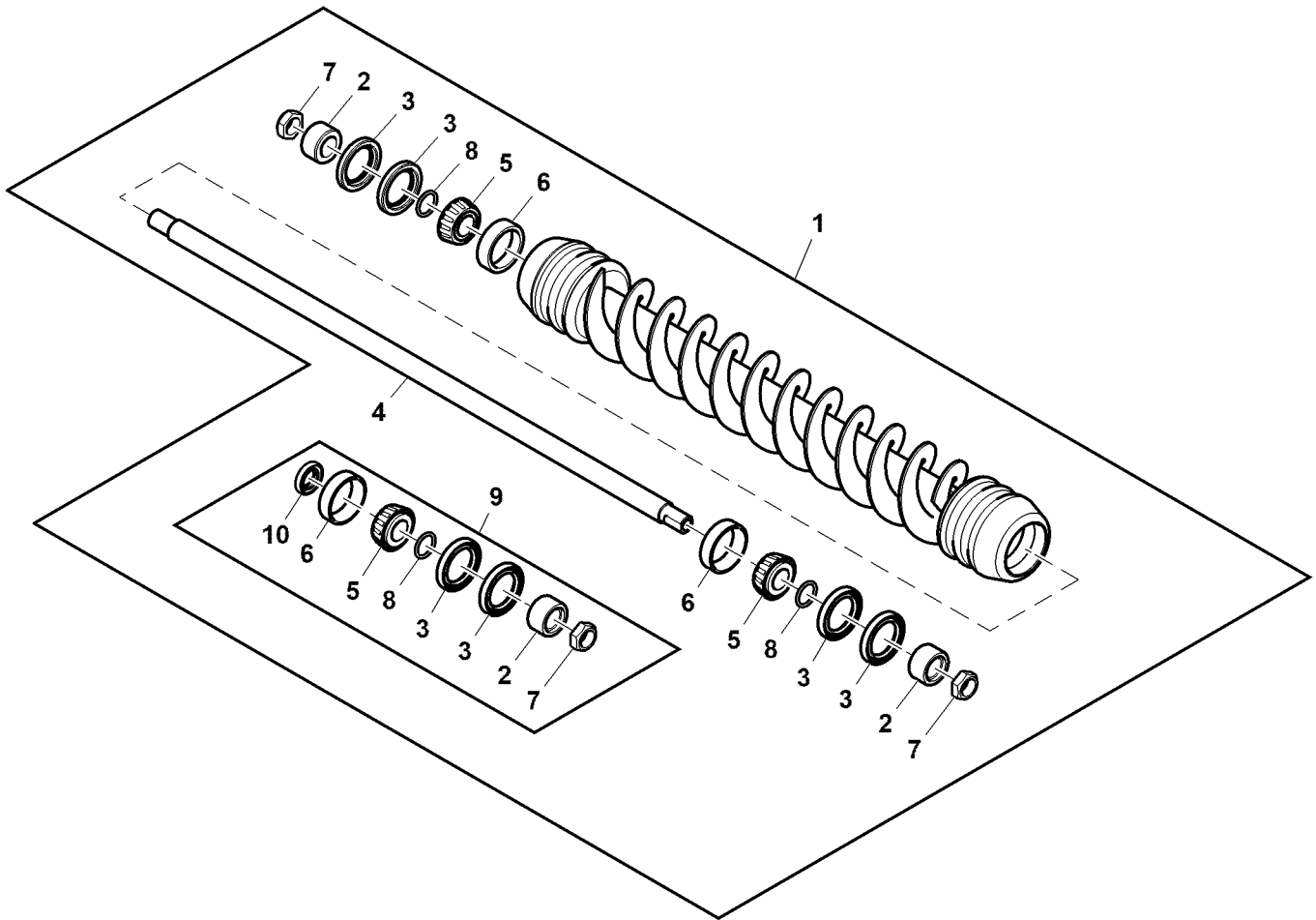
PU32010

Key	Part No.	Part Name	Qty.	Serial No.	Remarks
1	BM18712	Roller Kit	1		SUB FOR AMT1443 OR AMT2879
2	JD7842	Lubrication Fitting	2		
3	TCA22836	Ball Bearing	2		

Grooved End Spiral Roller Kit, 22 inch  
Grooved End Spiral Roller Kit, 22 inch  
Grooved End Spiral Roller Kit, 22 inch  
Grooved End Spiral Roller Kit, 22 inch  
Grooved End Spiral Roller Kit, 22 inch  
Grooved End Spiral Roller Kit, 22 inch



PU38796 A.1



PU38796

---

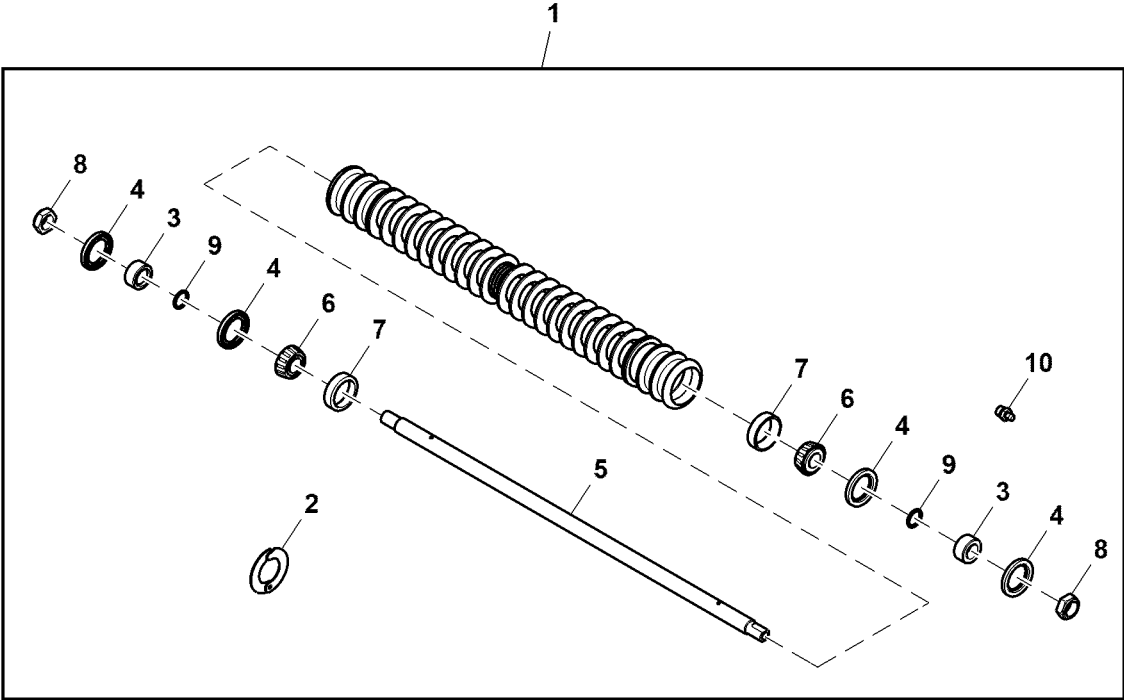
<i>Key</i>	<i>Part No.</i>	<i>Part Name</i>	<i>Qty.</i>	<i>Serial No.</i>	<i>Remarks</i>
1	AMT1286	Roller Kit	1		
2	ET15726	Sleeve	4		
3	ET15755	Seal	8		
4	ET17515	Shaft	1		
5	JD8188	Bearing Cone	4		
6	JD8226	Bearing Cup	4		
7	N101345	Lock Nut	4		
8	U46731	O-Ring	4		
9	AET10632	Seal Kit	1		
10	MT739	Seal	2		

---

Grooved Roller Kit, 2.5 inch, QA5, 22 inch  
 Grooved Roller Kit, 2.5 inch, QA5, 22 inch  
 Grooved Roller Kit, 2.5 inch, QA5, 22 inch  
 Grooved Roller Kit, 2.5 inch, QA5, 22 inch  
 Grooved Roller Kit, 2.5 inch, QA5, 22 inch  
 Grooved Roller Kit, 2.5 inch, QA5, 22 inch



PU38617 A.1



PU38617

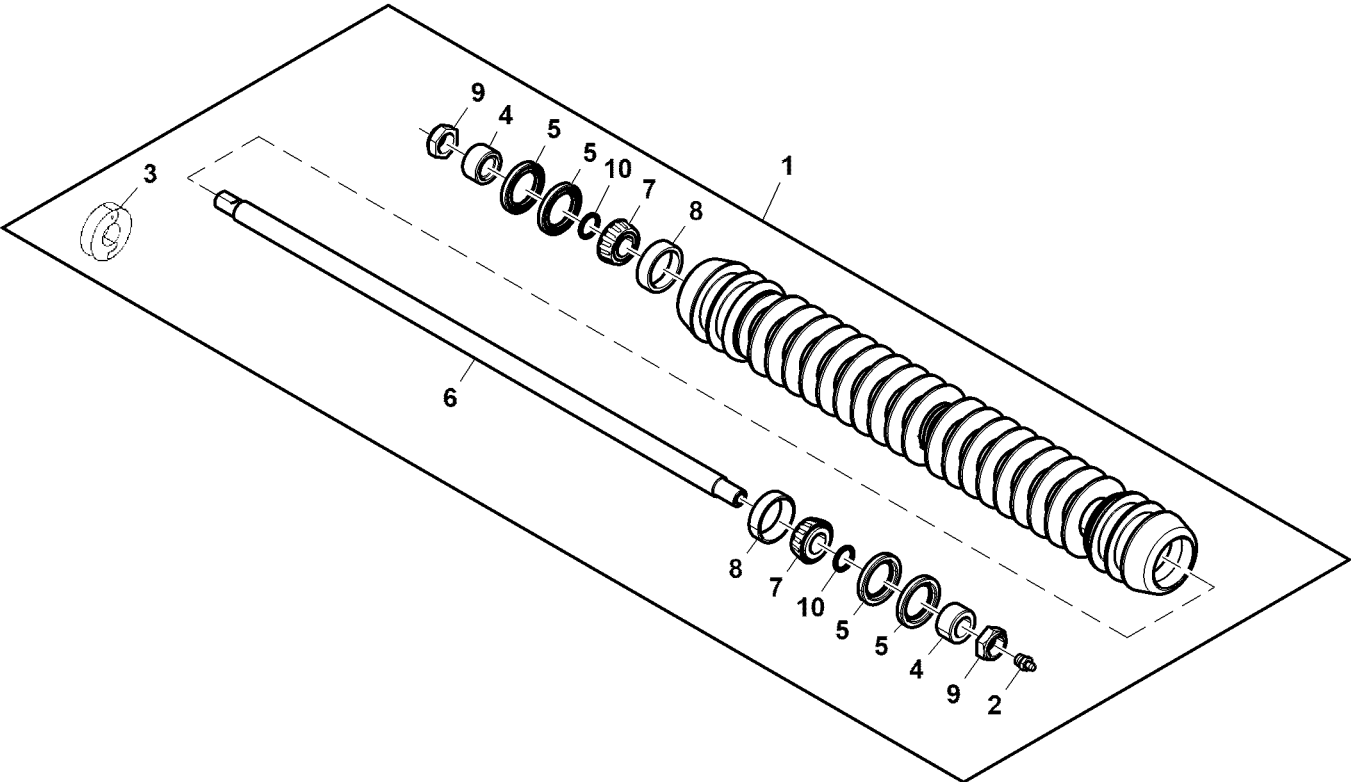
Key	Part No.	Part Name	Qty.	Serial No.	Remarks
1	BM26408	Roller Kit	1		
2	AMT500	Washer	1		
3	ET15726	Sleeve	2		Roller Seal
4	ET15755	Seal	4		
5	ET17515	Shaft	1		Roller
6	JD8188	Bearing Cone	2		
7	JD8226	Bearing Cup	2		
8	N101345	Lock Nut	2		
9	U46731	O-Ring	2		
10	JD7759	Lubrication Fitting	2		



Heavy Duty Grooved Disc Front Roller Kit, 3 inch, QA5/QA7, 22 inch  
Heavy Duty Grooved Disc Front Roller Kit, 3 inch, QA5/QA7, 22 inch  
Heavy Duty Grooved Disc Front Roller Kit, 3 inch, QA5/QA7, 22 inch  
Heavy Duty Grooved Disc Front Roller Kit, 3 inch, QA5/QA7, 22 inch  
Heavy Duty Grooved Disc Front Roller Kit, 3 inch, QA5/QA7, 22 inch  
Heavy Duty Grooved Disc Front Roller Kit, 3 inch, QA5/QA7, 22 inch



PU38809 A.1



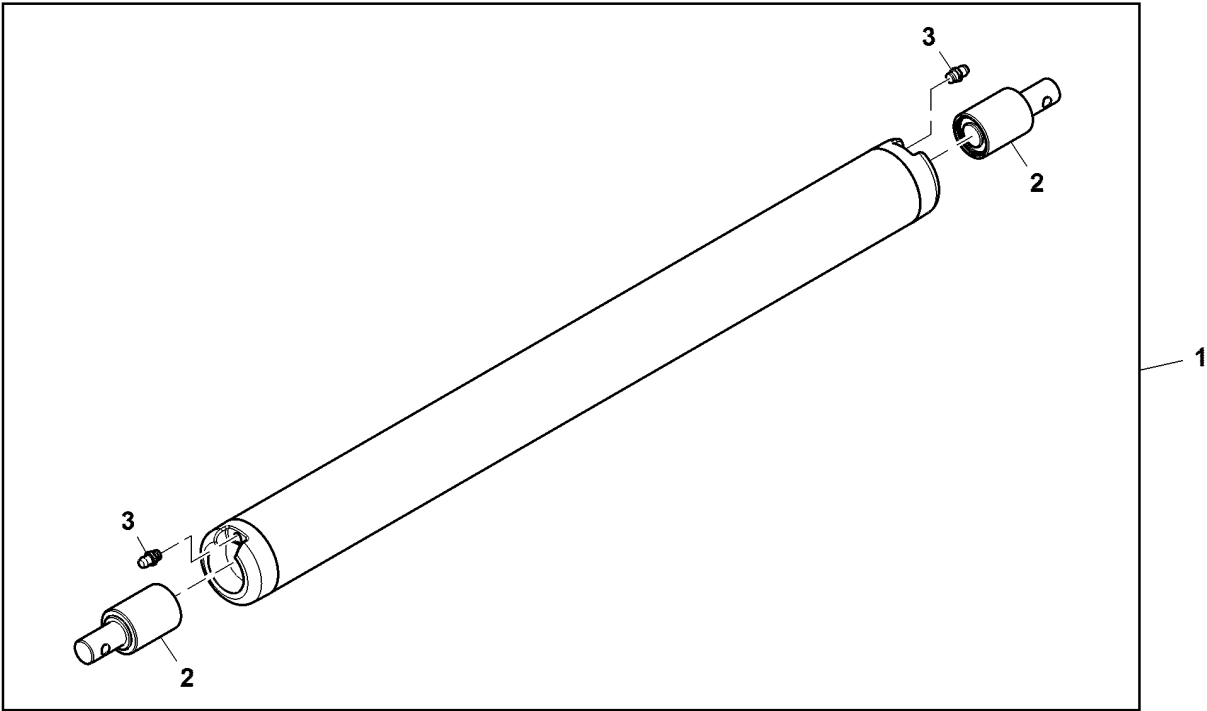
PU38809

Key	Part No.	Part Name	Qty.	Serial No.	Remarks
1	BM25317	Roller Kit	1		
2	JD7759	Lubrication Fitting	2		
3	AMT500	Washer	1		
4	ET15726	Sleeve	2		Roller Seal
5	ET15755	Seal	4		
6	ET17515	Shaft	1		Roller
7	JD8188	Bearing Cone	2		
8	JD8226	Bearing Cup	2		
9	N101345	Lock Nut	2		
10	U46731	O-Ring	2		

Hollow Smooth Roller Kit, 2 inch, QA5/QA7, 22 inch  
 Hollow Smooth Roller Kit, 2 inch, QA5/QA7, 22 inch  
 Hollow Smooth Roller Kit, 2 inch, QA5/QA7, 22 inch  
 Hollow Smooth Roller Kit, 2 inch, QA5/QA7, 22 inch  
 Hollow Smooth Roller Kit, 2 inch, QA5/QA7, 22 inch  
 Hollow Smooth Roller Kit, 2 inch, QA5/QA7, 22 inch



PU27632 A.1



PU27632

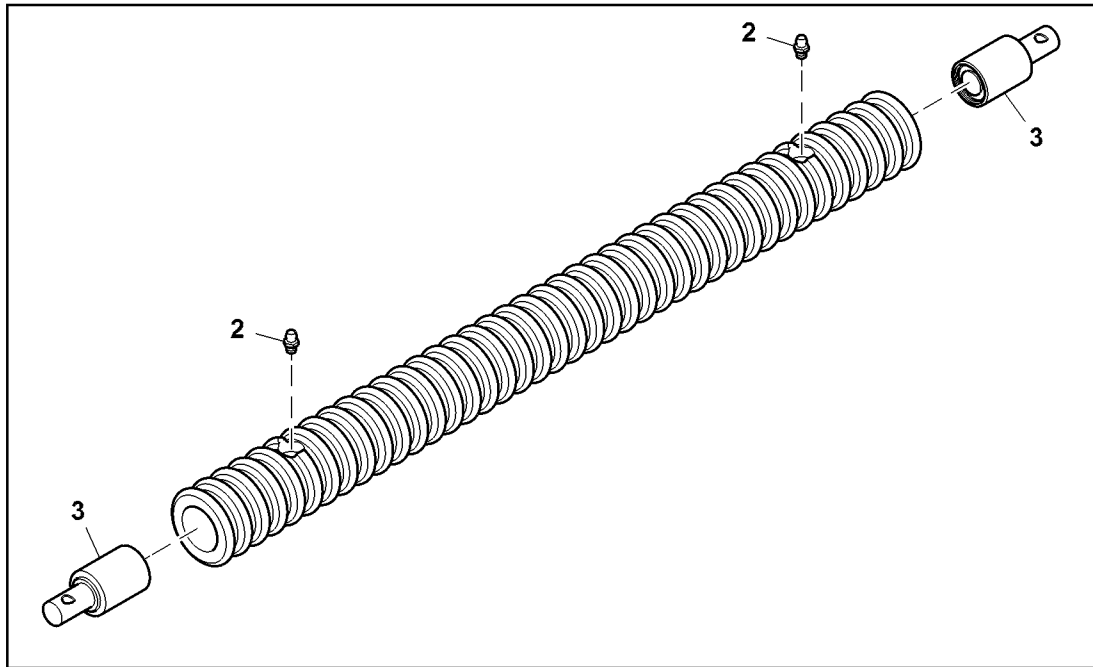
Key	Part No.	Part Name	Qty.	Serial No.	Remarks
1	BM24202	Roller Kit	1		
2	TCA22836	Ball Bearing	2		
3	JD7844	Lubrication Fitting	2		



Machine Grooved Front Roller Kit, 2 inch, QA5/QA7, 22 inch  
 Machine Grooved Front Roller Kit, 2 inch, QA5/QA7, 22 inch  
 Machine Grooved Front Roller Kit, 2 inch, QA5/QA7, 22 inch  
 Machine Grooved Front Roller Kit, 2 inch, QA5/QA7, 22 inch  
 Machine Grooved Front Roller Kit, 2 inch, QA5/QA7, 22 inch  
 Machine Grooved Front Roller Kit, 2 inch, QA5/QA7, 22 inch



PU32009 A.1



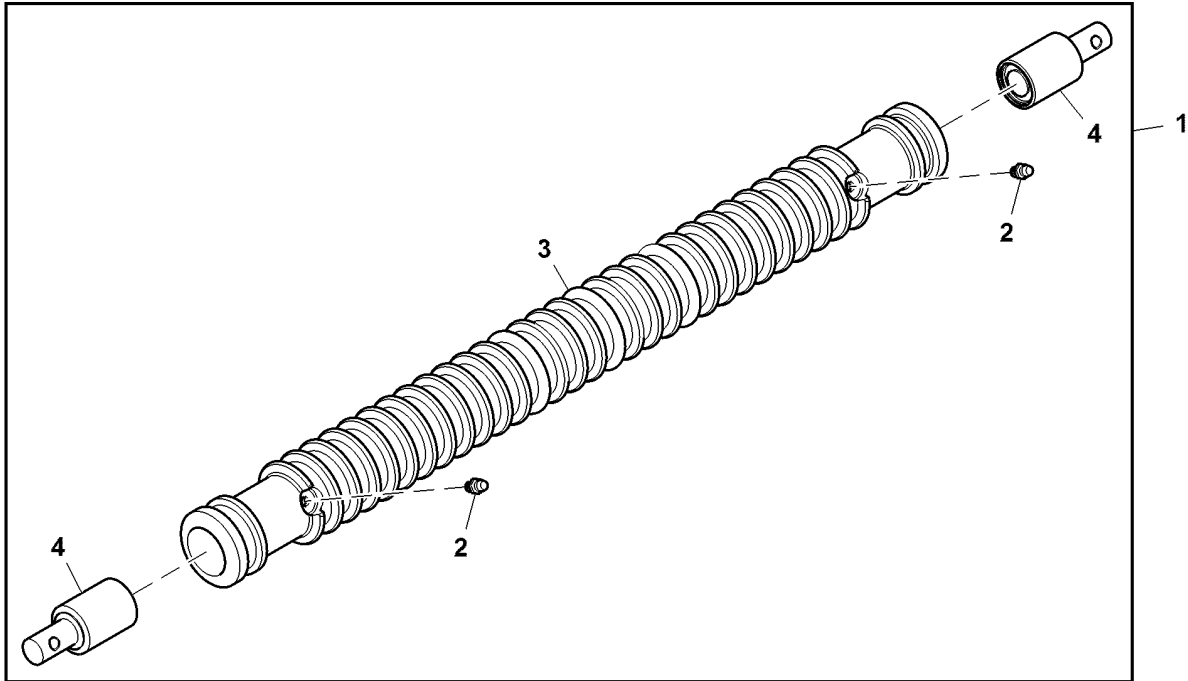
PU32009

Key	Part No.	Part Name	Qty.	Serial No.	Remarks
1	BE23416	Roller Kit	1		
2	JD7842	Lubrication Fitting	2		
3	TCA22836	Ball Bearing	2		Integral Shaft

Relieved Grooved Roller Kit, 2 inch, QA5/QA7, 22 inch  
 Relieved Grooved Roller Kit, 2 inch, QA5/QA7, 22 inch  
 Relieved Grooved Roller Kit, 2 inch, QA5/QA7, 22 inch  
 Relieved Grooved Roller Kit, 2 inch, QA5/QA7, 22 inch  
 Relieved Grooved Roller Kit, 2 inch, QA5/QA7, 22 inch  
 Relieved Grooved Roller Kit, 2 inch, QA5/QA7, 22 inch



PU32005 A.1

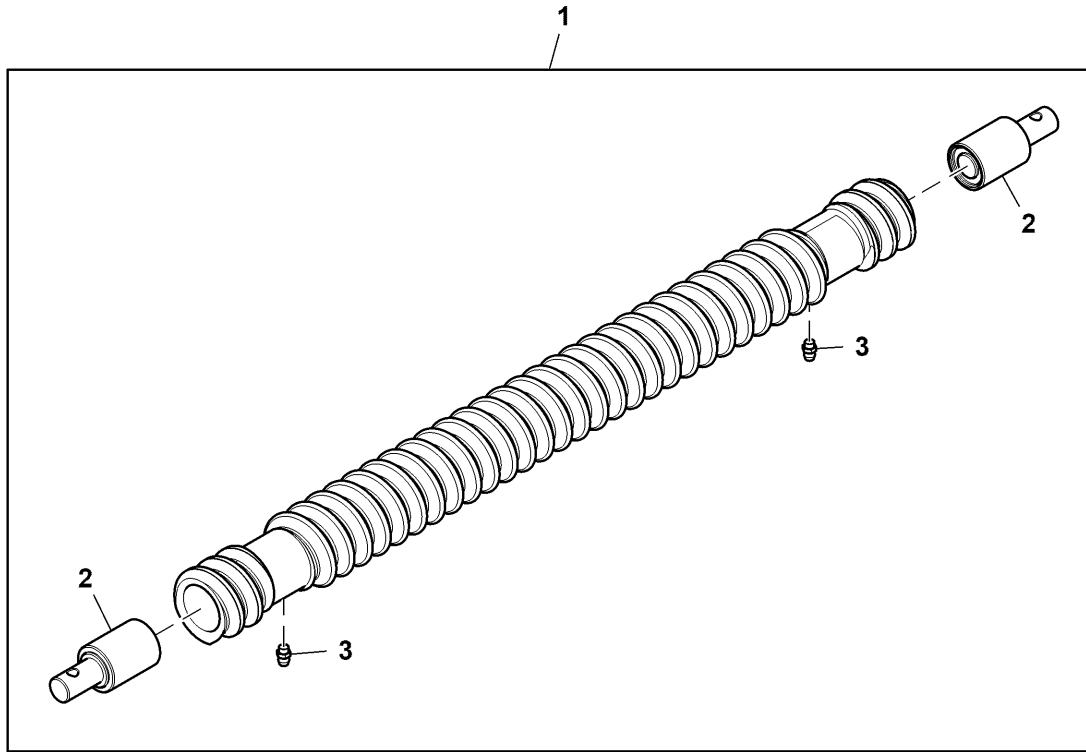


PU32005

Key	Part No.	Part Name	Qty.	Serial No.	Remarks
1	BTC10267	Roller Kit	1		
2	JD7842	Lubrication Fitting	2		
3	TCU24519	Roller	1		
4	TCA22836	Ball Bearing	2		Integral Shaft

Relieved Spiral Grooved Roller Kit, 2 inch, QA5/QA7, 22 inch  
 Relieved Spiral Grooved Roller Kit, 2 inch, QA5/QA7, 22 inch  
 Relieved Spiral Grooved Roller Kit, 2 inch, QA5/QA7, 22 inch  
 Relieved Spiral Grooved Roller Kit, 2 inch, QA5/QA7, 22 inch  
 Relieved Spiral Grooved Roller Kit, 2 inch, QA5/QA7, 22 inch  
 Relieved Spiral Grooved Roller Kit, 2 inch, QA5/QA7, 22 inch

PU38777 A.1



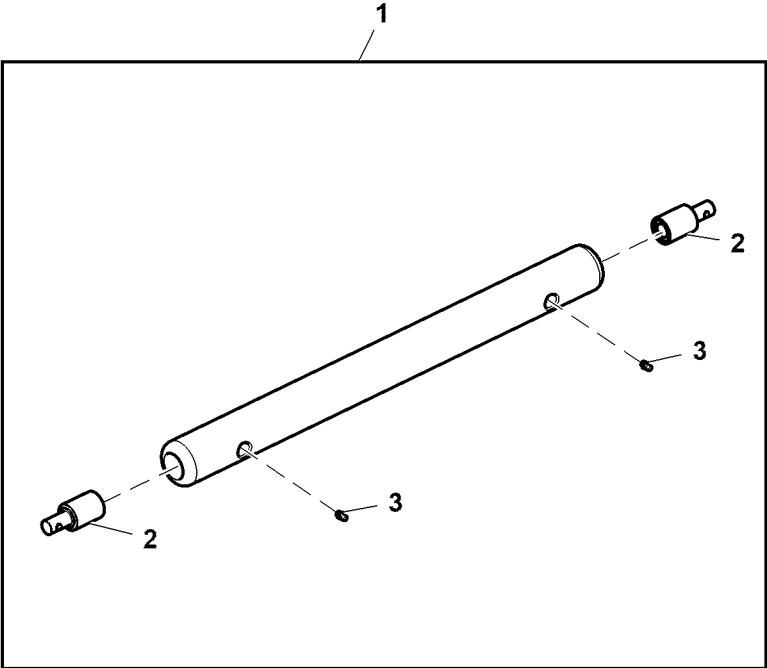
PU38777

Key	Part No.	Part Name	Qty.	Serial No.	Remarks
1	BM23566	Roller Kit	1		
2	TCA22836	Ball Bearing	2		Integral Shaft
3	JD7842	Lubrication Fitting	2		

Smooth Front Roller Kit, 2 inch, QA5/QA7, 22 inch  
 Smooth Front Roller Kit, 2 inch, QA5/QA7, 22 inch  
 Smooth Front Roller Kit, 2 inch, QA5/QA7, 22 inch  
 Smooth Front Roller Kit, 2 inch, QA5/QA7, 22 inch  
 Smooth Front Roller Kit, 2 inch, QA5/QA7, 22 inch  
 Smooth Front Roller Kit, 2 inch, QA5/QA7, 22 inch



PU38759 A.1



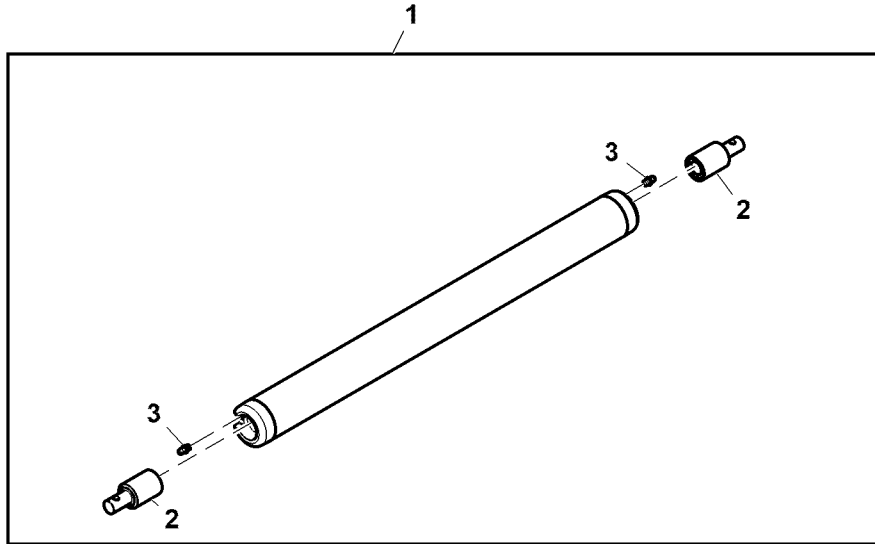
PU38759

Key	Part No.	Part Name	Qty.	Serial No.	Remarks
1	BM18711	Roller Kit	1		
2	TCA22836	Ball Bearing	2		Integral Shaft
3	JD7842	Lubrication Fitting	2		

Hollow Smooth Front Roller Kit, 2 inch, QA5/QA7, 22 inch  
 Hollow Smooth Front Roller Kit, 2 inch, QA5/QA7, 22 inch  
 Hollow Smooth Front Roller Kit, 2 inch, QA5/QA7, 22 inch  
 Hollow Smooth Front Roller Kit, 2 inch, QA5/QA7, 22 inch  
 Hollow Smooth Front Roller Kit, 2 inch, QA5/QA7, 22 inch  
 Hollow Smooth Front Roller Kit, 2 inch, QA5/QA7, 22 inch



PU38755 A.1

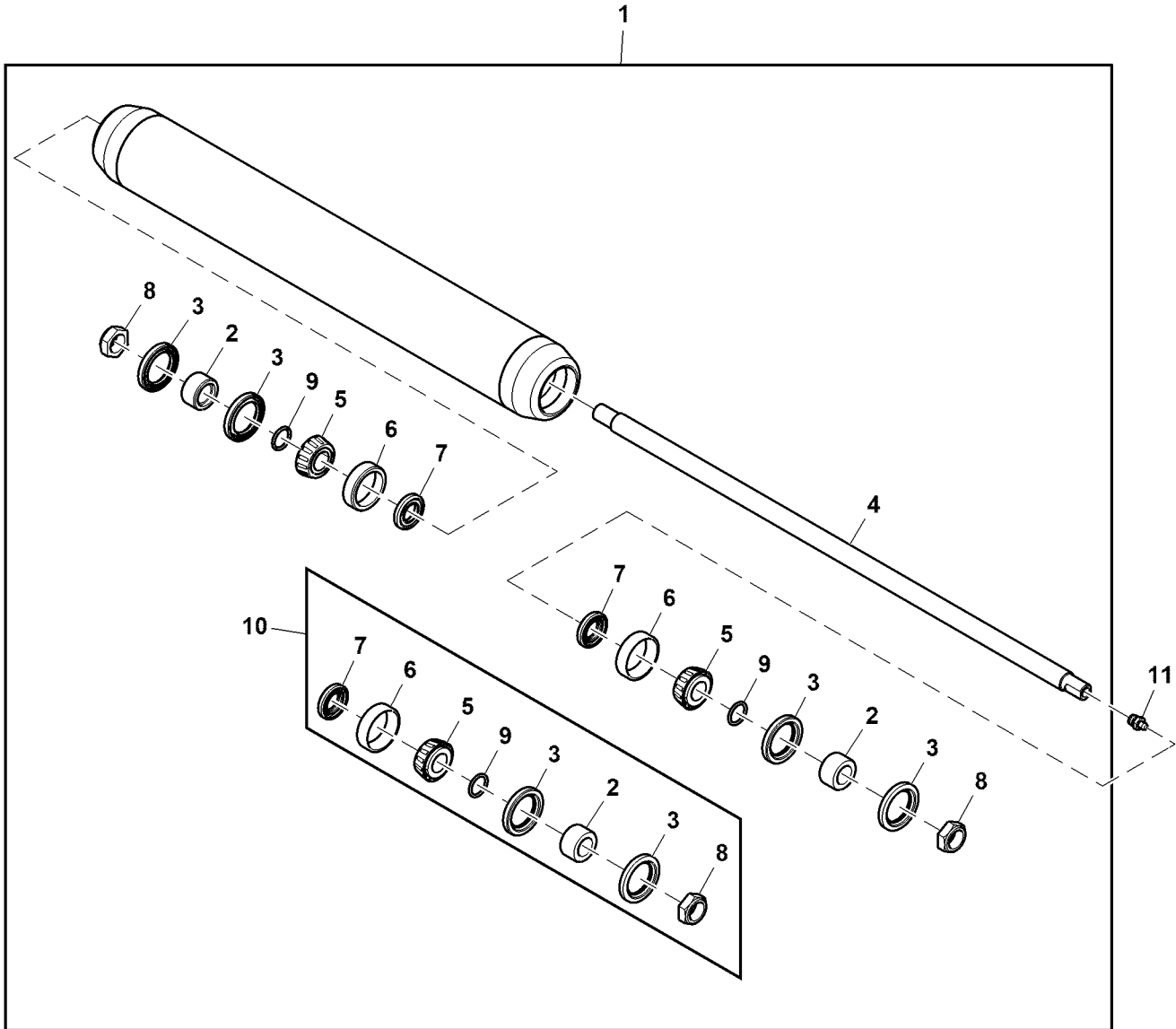


**PU38755**

Key	Part No.	Part Name	Qty.	Serial No.	Remarks
1	BM18480	Roller Kit	1		
2	TCA22836	Ball Bearing	2		
3	JD7844	Lubrication Fitting	2		

Smooth Roller Kit, 22 inch  
Smooth Roller Kit, 22 inch  
Smooth Roller Kit, 22 inch  
Smooth Roller Kit, 22 inch  
Smooth Roller Kit, 22 inch  
Smooth Roller Kit, 22 inch

PU38792 A.1



PU38792

---

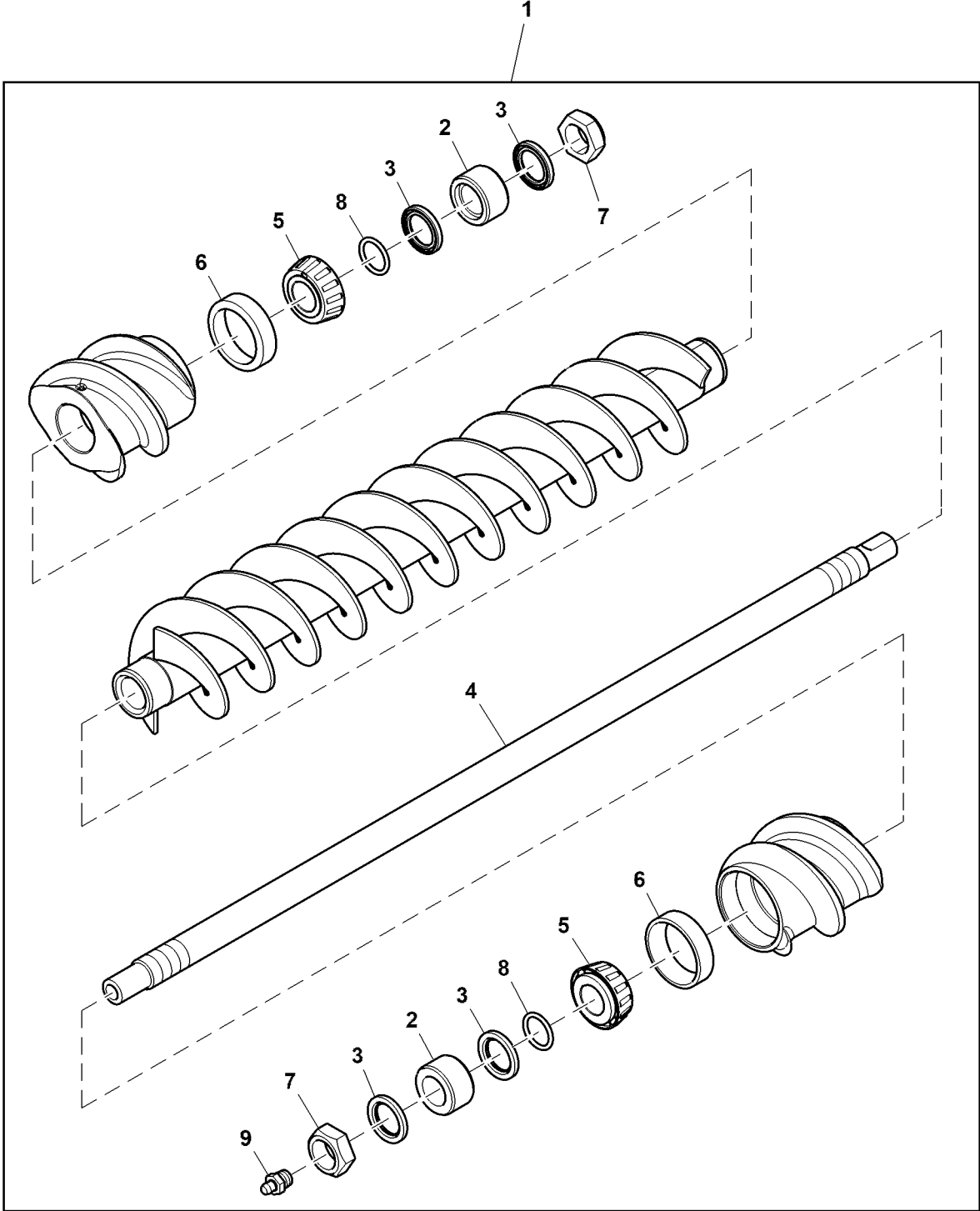
<i>Key</i>	<i>Part No.</i>	<i>Part Name</i>	<i>Qty.</i>	<i>Serial No.</i>	<i>Remarks</i>
1	AMT2967	Roller Kit	1		
2	ET15726	Sleeve	4		
3	ET15755	Seal	8		
4	ET17515	Shaft	1		
5	JD8188	Bearing Cone	4		
6	JD8226	Bearing Cup	4		
7	MT739	Seal	4		
8	N101345	Lock Nut	4		
9	U46731	O-Ring	4		
10	AET10632	Seal Kit	1		
11	JD7759	Lubrication Fitting	2		

---

Spiral Grooved Front Roller Kit, 3 inch, QA5 / QA7, 22 inch  
Spiral Grooved Front Roller Kit, 3 inch, QA5 / QA7, 22 inch  
Spiral Grooved Front Roller Kit, 3 inch, QA5 / QA7, 22 inch  
Spiral Grooved Front Roller Kit, 3 inch, QA5 / QA7, 22 inch  
Spiral Grooved Front Roller Kit, 3 inch, QA5 / QA7, 22 inch  
Spiral Grooved Front Roller Kit, 3 inch, QA5 / QA7, 22 inch



PU38783 A.1



PU38783



---

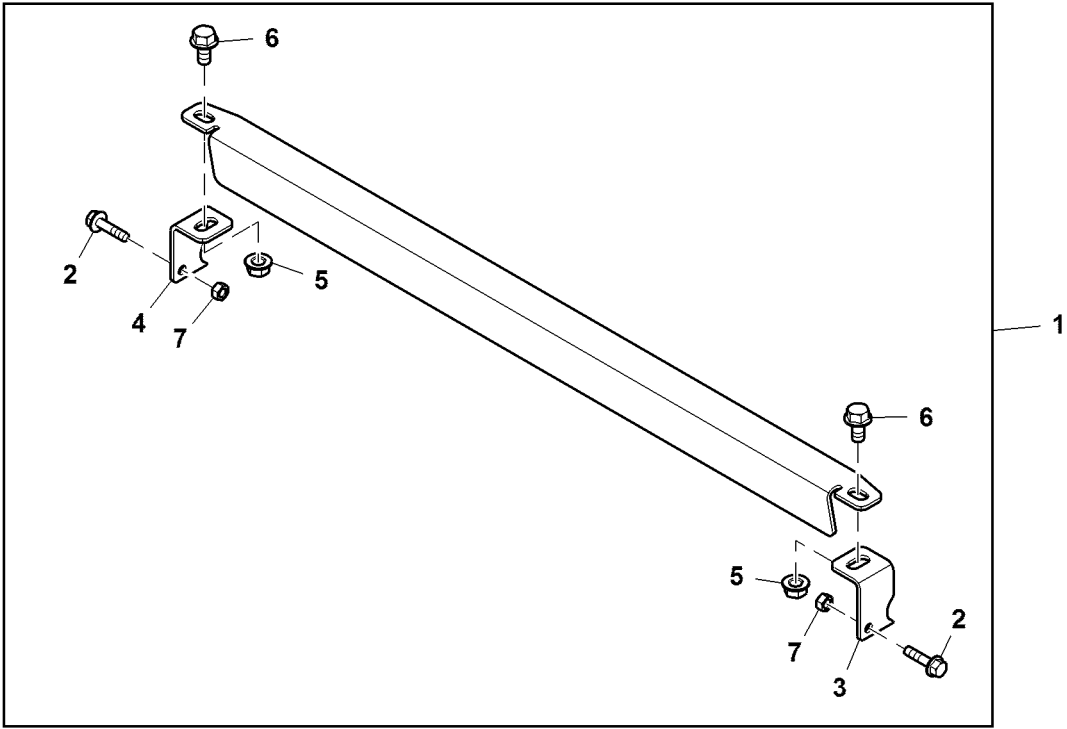
<i>Key</i>	<i>Part No.</i>	<i>Part Name</i>	<i>Qty.</i>	<i>Serial No.</i>	<i>Remarks</i>
1	BM19817	Roller Kit	1		
2	ET15726	Sleeve	2		Roller Seal
3	ET15755	Seal	4		
4	ET17515	Shaft	1		Roller
5	JD8188	Bearing Cone	2		
6	JD8226	Bearing Cup	2		
7	N101345	Lock Nut	2		
8	U46731	O-Ring	2		
9	JD7759	Lubrication Fitting	2		Straight

---

Smooth Scraper Kit, Rear, 2 inch, QA5/QA7, 22 inch  
 Smooth Scraper Kit, Rear, 2 inch, QA5/QA7, 22 inch  
 Smooth Scraper Kit, Rear, 2 inch, QA5/QA7, 22 inch  
 Smooth Scraper Kit, Rear, 2 inch, QA5/QA7, 22 inch  
 Smooth Scraper Kit, Rear, 2 inch, QA5/QA7, 22 inch  
 Smooth Scraper Kit, Rear, 2 inch, QA5/QA7, 22 inch



PU32020 A.1



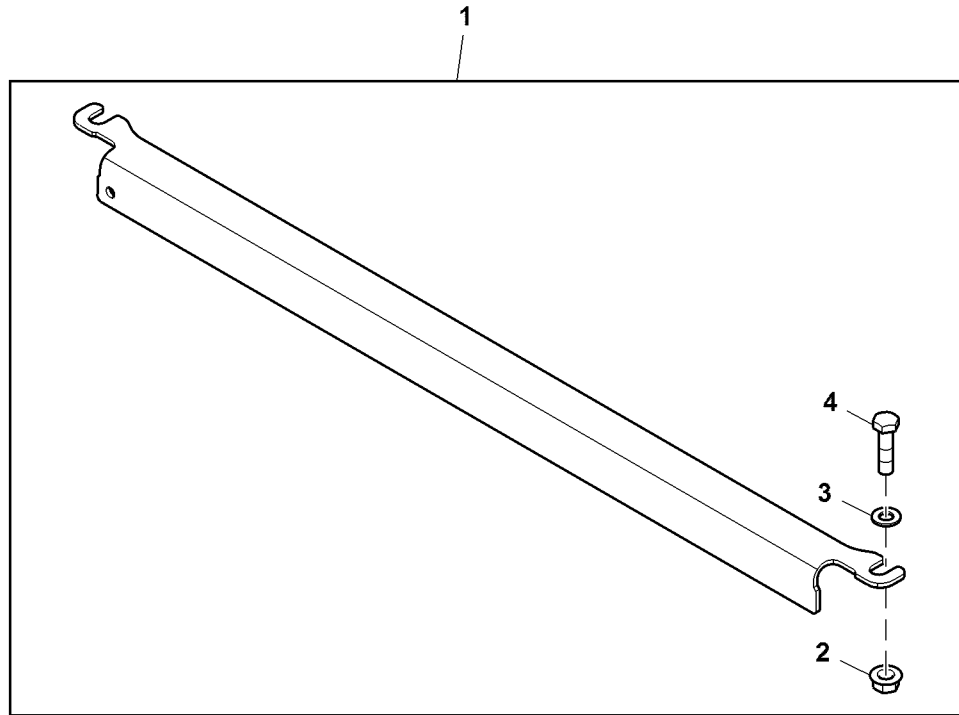
PU32020

Key	Part No.	Part Name	Qty.	Serial No.	Remarks
1	BUC10112	Scraper Kit	1		
2	19M7863	Screw	2		M6 X 25
3	UC14789	Bracket	1		RH
4	UC14788	Bracket	1		LH
5	14M7298	Flange Nut	2		M8
6	19M7865	Screw	2		M8 X 16
7	14M7272	Nut	2		M6

Smooth Scraper Kit, Front, 2 inch, QA5, 22 inch  
 Smooth Scraper Kit, Front, 2 inch, QA5, 22 inch  
 Smooth Scraper Kit, Front, 2 inch, QA5, 22 inch  
 Smooth Scraper Kit, Front, 2 inch, QA5, 22 inch  
 Smooth Scraper Kit, Front, 2 inch, QA5, 22 inch  
 Smooth Scraper Kit, Front, 2 inch, QA5, 22 inch



PU32019 A.1

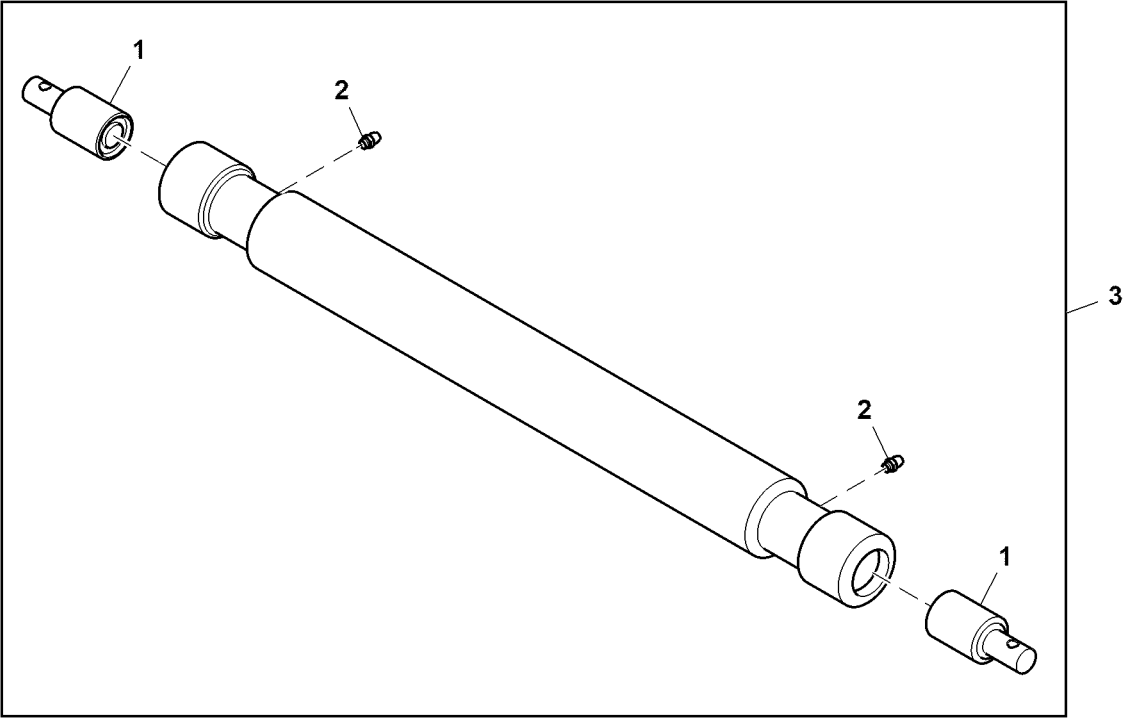


PU32019

Key	Part No.	Part Name	Qty.	Serial No.	Remarks
1	BUC10113	Scraper Kit	1		
2	14M7298	Flange Nut	2	M8	
3	24M7055	Washer	2	8.400 X 16 X 1.600 mm	
4	19M7288	Cap Screw	2	M8 X 30	

Smooth Roller, W/ Bearings, 22 inch  
 Smooth Roller, W/ Bearings, 22 inch  
 Smooth Roller, W/ Bearings, 22 inch  
 Smooth Roller, W/ Bearings, 22 inch  
 Smooth Roller, W/ Bearings, 22 inch  
 Smooth Roller, W/ Bearings, 22 inch

TC393985 A.1



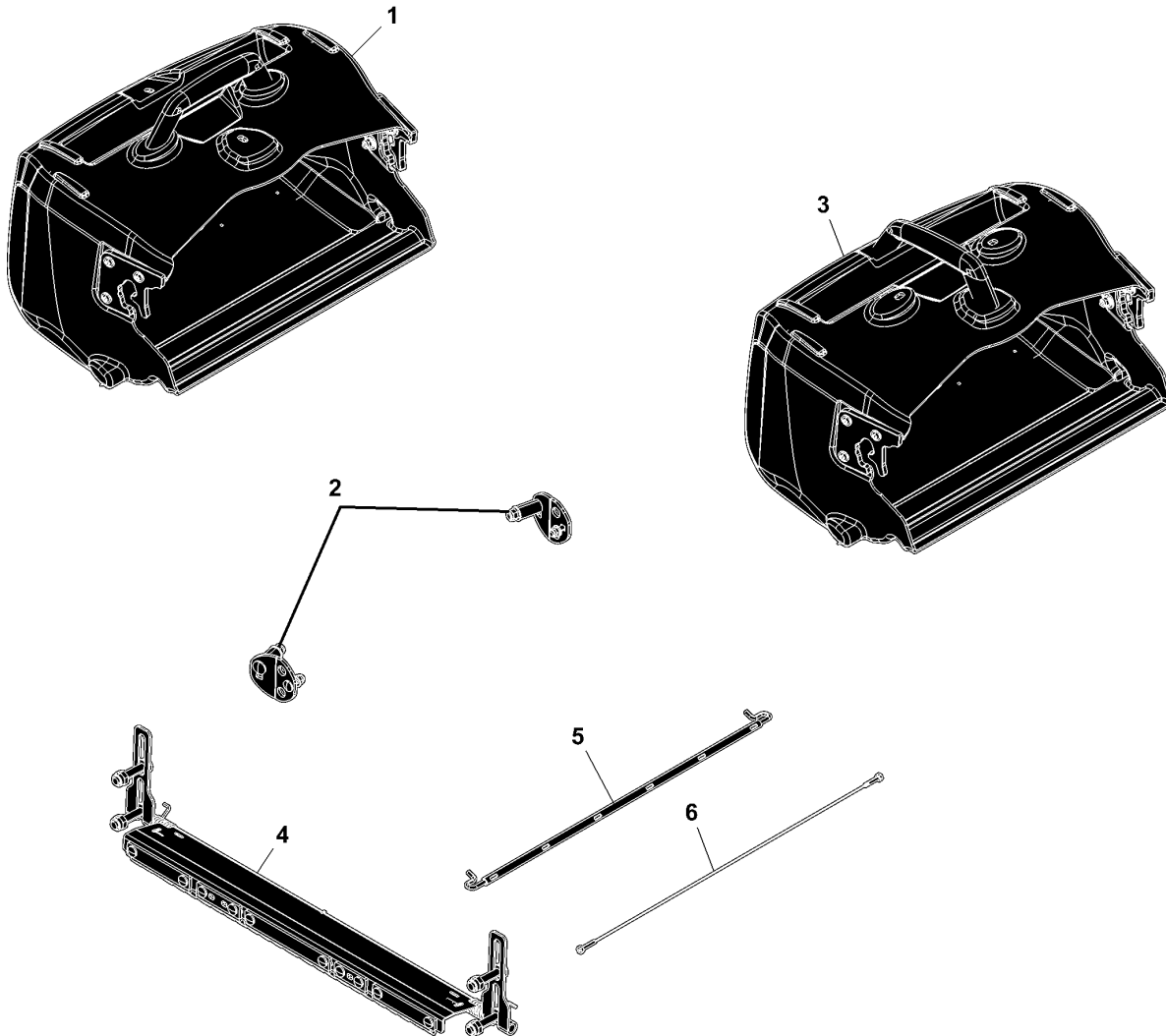
TC393985

Key	Part No.	Part Name	Qty.	Serial No.	Remarks
1	TCA22836	Ball Bearing	2		Integral Shaft
2	JD7842	Lubrication Fitting	2		
3	BUC10786	Roller	1		

Sectional Pictorial Index  
 Index d'illustrations par sections.  
 Gruppenbildindex  
 Indice illustrato delle sezioni  
 Índice de ilustraciones por secciones  
 Avsnittsbildregister

PU38991 A.1

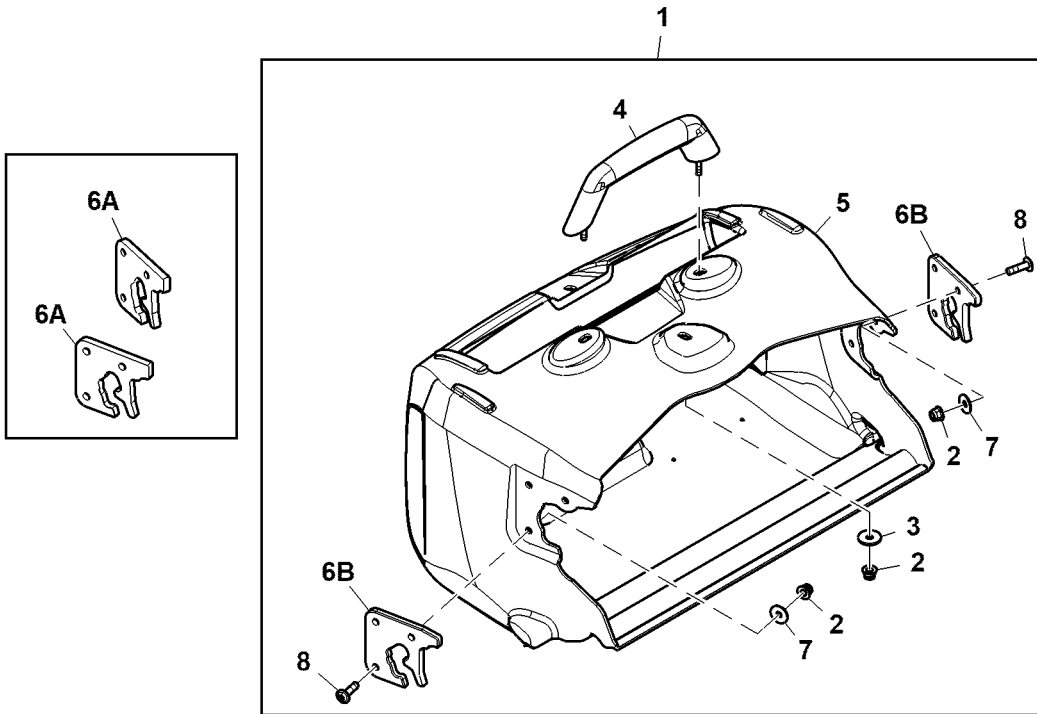
1-	262
2-	263
3-	264
4-	266
5-	268
6-	269



PU38991

Grass Catcher Kit, Black  
 Grass Catcher Kit, Black  
 Grass Catcher Kit, Black  
 Grass Catcher Kit, Black  
 Grass Catcher Kit, Black  
 Grass Catcher Kit, Black

PU48839 A.1



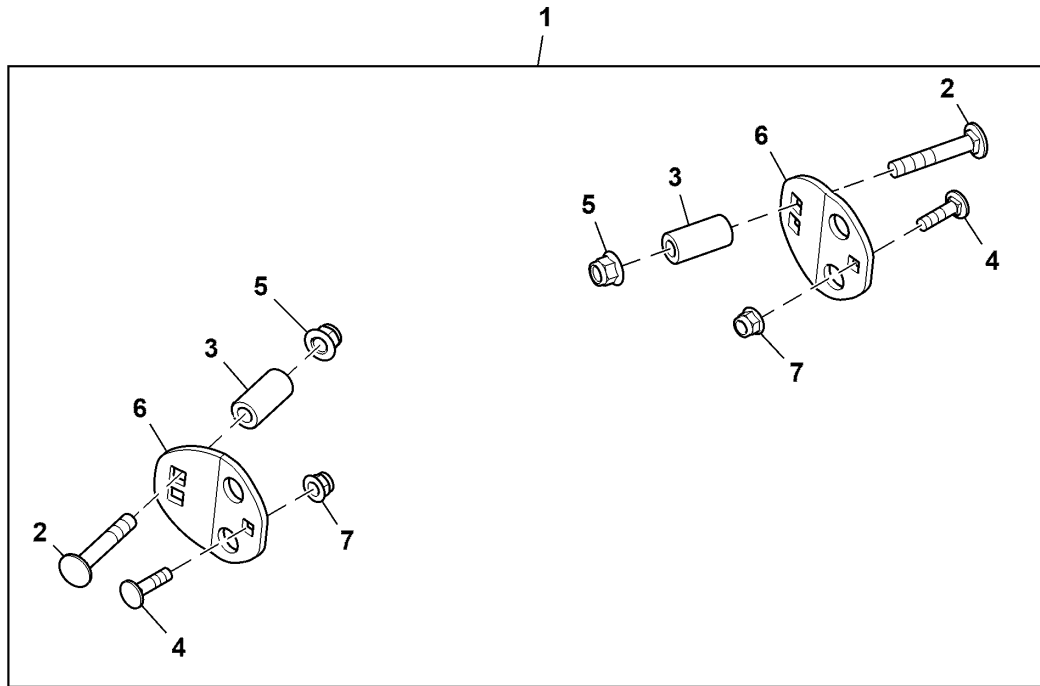
PU48839

Key	Part No.	Part Name	Qty.	Serial No.	Remarks
1	BUC10090	Kit	1		
	BUC11330	Kit	1		
2	14M7396	Lock Nut	8		M8
3	24M7024	Washer	2		9 X 28 X 3 mm
4	AM135650	Handle	1		
5	UC18745	Grass Catcher	1		
6A	UC11903	Hook	2		ORDER UC29140
6B	UC29140	Hook	2		
7	24M7298	Washer	6		8.400 X 25 X 2 mm
8	HXE71867	Bolt	6		

Grass Catcher Mounting Kit  
 Grass Catcher Mounting Kit  
 Grass Catcher Mounting Kit  
 Grass Catcher Mounting Kit  
 Grass Catcher Mounting Kit  
 Grass Catcher Mounting Kit



PU38832 A.1

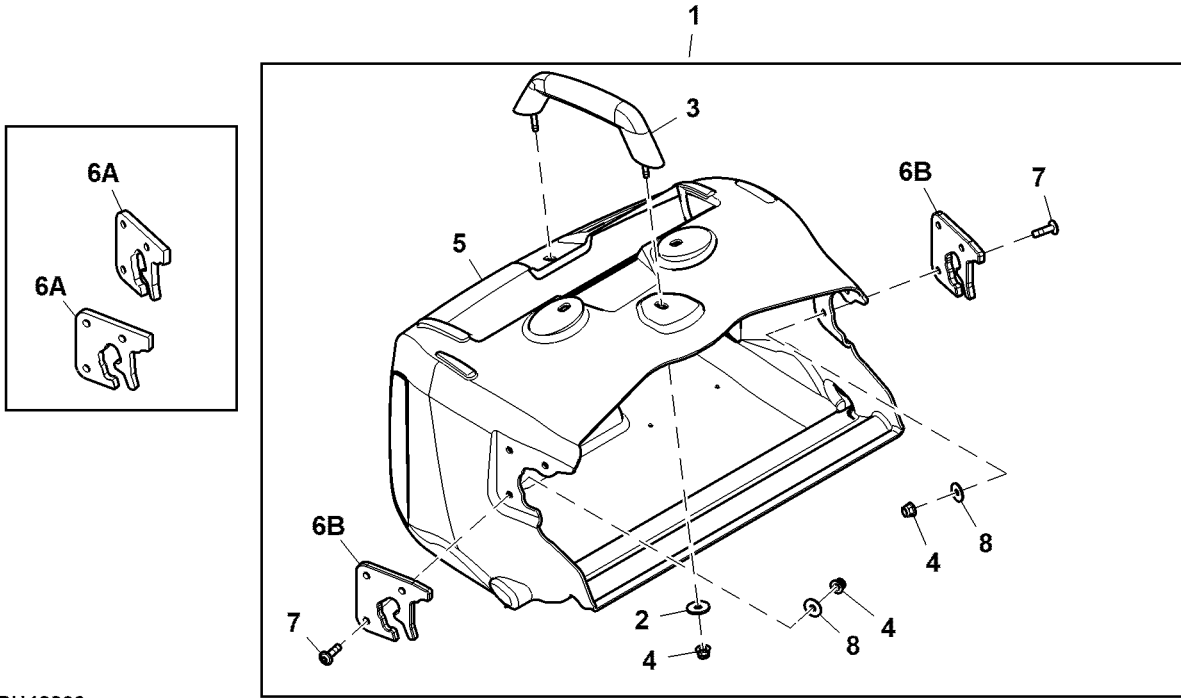


**PU38832**

Key	Part No.	Part Name	Qty.	Serial No.	Remarks
1	BUC10091	Kit	1		ORDER BUC11201 Components on Seperate Page
	BUC11201	Kit	1		
2	03M7246	Bolt	2		M10 X 60
3	R316945	Bushing	2		
4	03M7186	Bolt	2		M8 X 30
5	14M7465	Lock Nut	2		M10
6	UC11904	Bracket	2		
7	14M7396	Lock Nut	2		M8

Grass Catcher Kit, Yellow  
 Grass Catcher Kit, Yellow  
 Grass Catcher Kit, Yellow  
 Grass Catcher Kit, Yellow  
 Grass Catcher Kit, Yellow  
 Grass Catcher Kit, Yellow

PU48838 A.1



PU48838

Key	Part No.	Part Name	Qty.	Serial No.	Remarks
1	BUC10089	Kit	1		SUB FOR BUC11329
	BUC11329	Kit	1		
2	24M7024	Washer	2		9 X 28 X 3 mm
3	AM135650	Handle	1		
4	14M7396	Lock Nut	8		M8
5	UC18744	Grass Catcher	1		
6A	UC11903	Hook	2		ORDER UC29140
6B	UC29140	Hook	2		
7	HXE71867	Bolt	6		
8	24M7298	Washer	6		8.400 X 25 X 2 mm

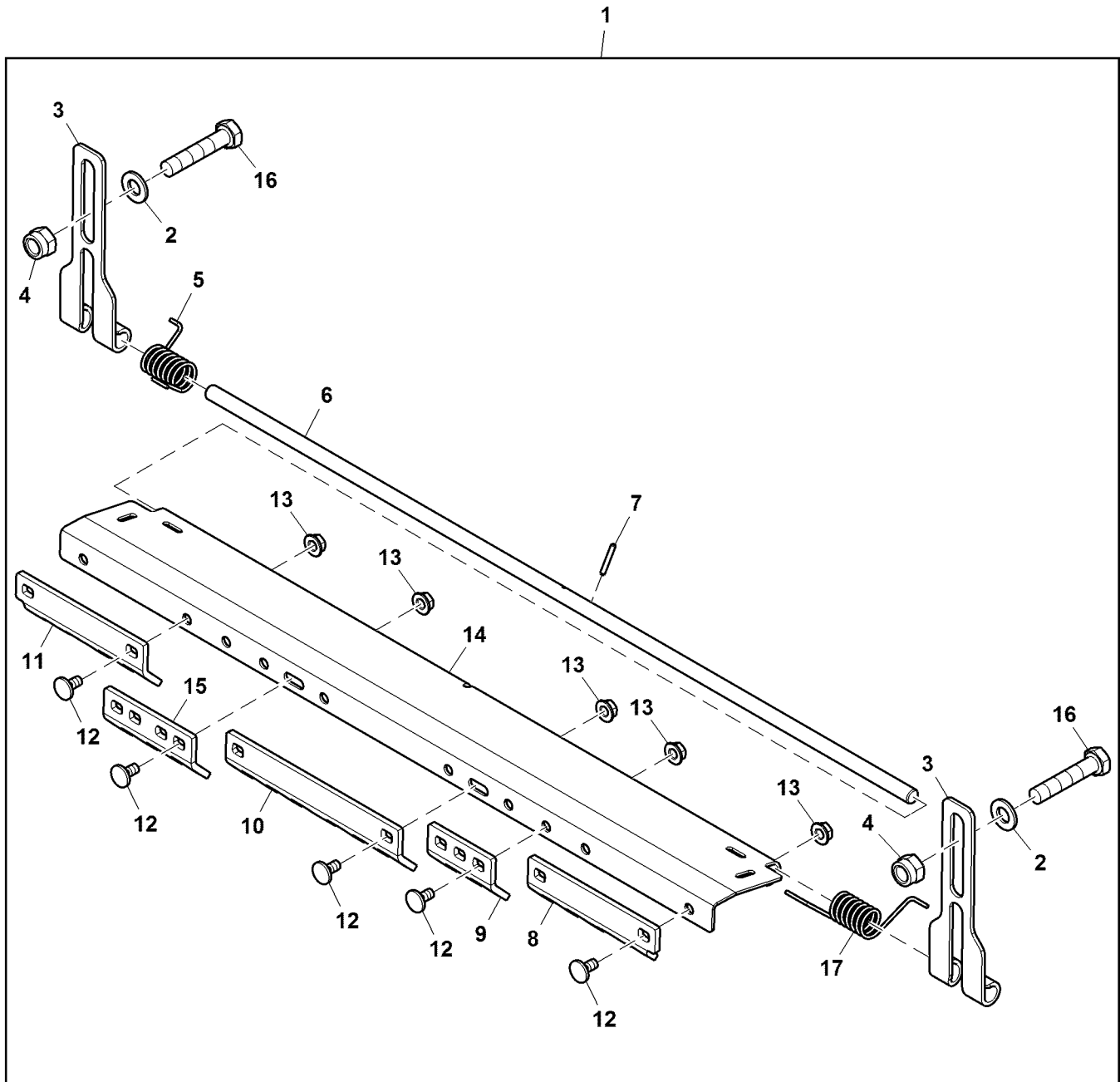




Grooved Roller Scraper Kit, 3 inch  
 Grooved Roller Scraper Kit, 3 inch  
 Grooved Roller Scraper Kit, 3 inch  
 Grooved Roller Scraper Kit, 3 inch  
 Grooved Roller Scraper Kit, 3 inch  
 Grooved Roller Scraper Kit, 3 inch



PU32021 A.1



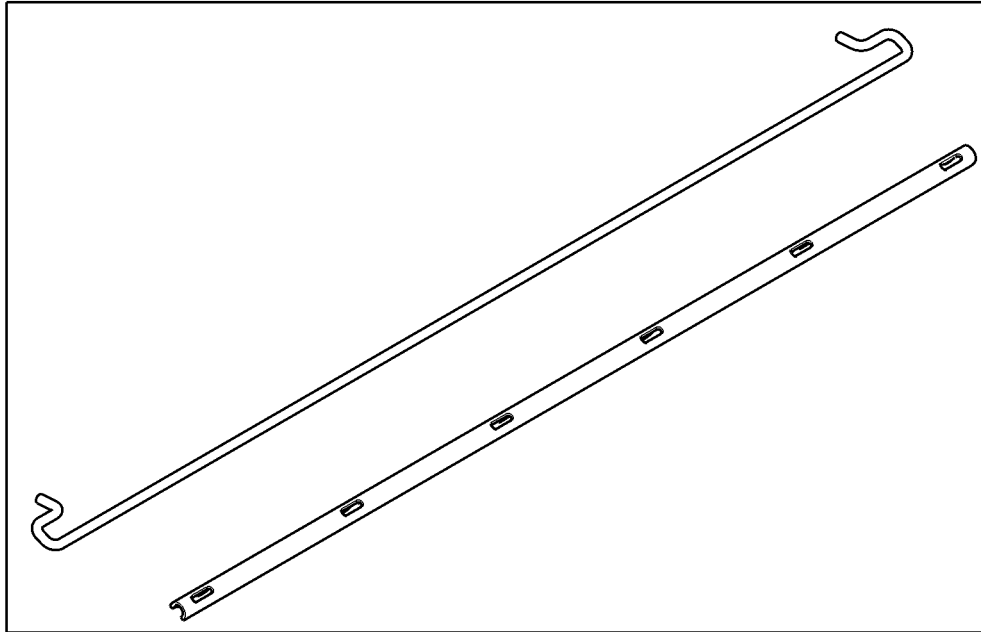
PU32021

Key	Part No.	Part Name	Qty.	Serial No.	Remarks
1	BM23002	Scraper Kit	1		
2	24M7028	Washer	4		10.500 X 20 X 2 mm
3	TCU26998	Panel	2		
4	14M7517	Lock Nut	4		M10
5	TCU27037	Torsion Spring	1		LH
6	ET17757	Rod	1		
7	34M7010	Spring Pin	1		3 X 20 mm
8	MT5159	Scraper	1		RH
9	MT2342	Scraper	1		
10	MT2340	Scraper	1		
11	MT5158	Scraper	1		LH
12	03M7251	Bolt	10		M6 X 12
13	14M7303	Flange Nut	10		M6
14	TCU27038	Bracket	1		
15	MT2341	Scraper	1		
16	19M7179	Cap Screw	4		M10 X 50
17	TCU27036	Torsion Spring	1		RH

Machine Grooved Roller Scraper Kit, 2 inch  
 Machine Grooved Roller Scraper Kit, 2 inch  
 Machine Grooved Roller Scraper Kit, 2 inch  
 Machine Grooved Roller Scraper Kit, 2 inch  
 Machine Grooved Roller Scraper Kit, 2 inch  
 Machine Grooved Roller Scraper Kit, 2 inch



PU27622 A.1



1

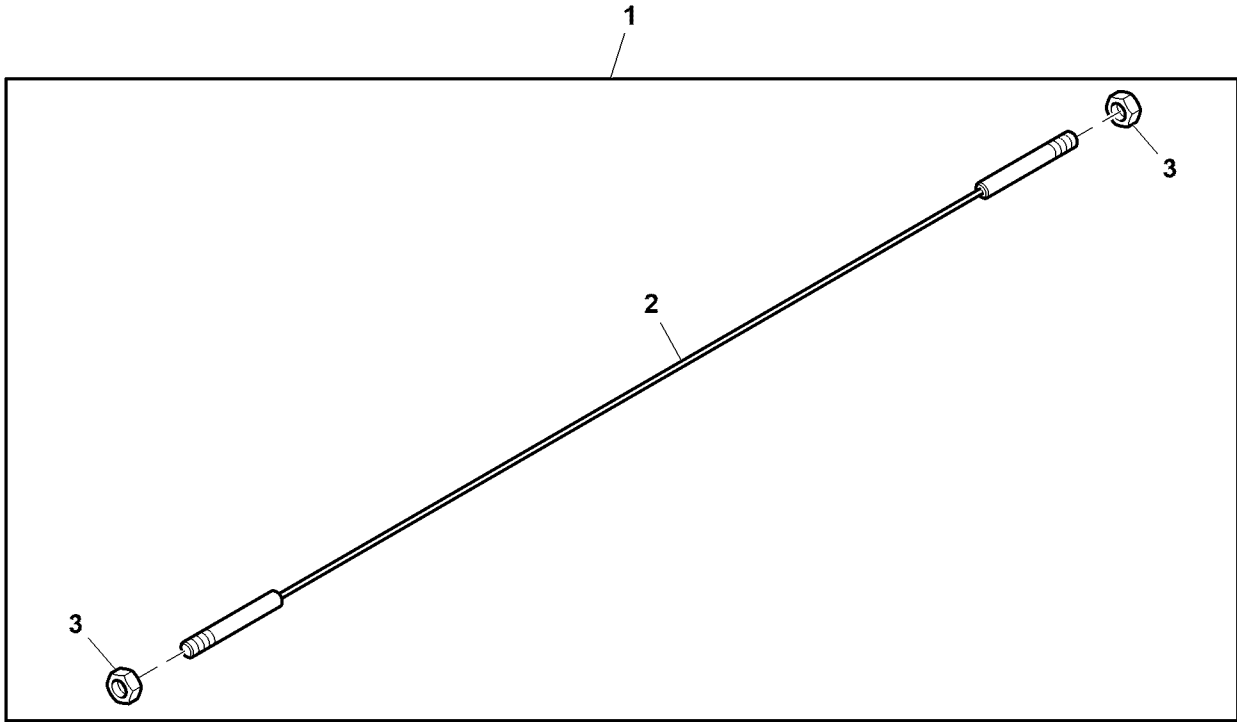
PU27622

Key	Part No.	Part Name	Qty.	Serial No.	Remarks
1	TCA19547	Scraper	1		

Smooth Roller Scraper Kit, 2 inch, QA5/QA7, 22 inch, Rear Roller  
 Smooth Roller Scraper Kit, 2 inch, QA5/QA7, 22 inch, Rear Roller  
 Smooth Roller Scraper Kit, 2 inch, QA5/QA7, 22 inch, Rear Roller  
 Smooth Roller Scraper Kit, 2 inch, QA5/QA7, 22 inch, Rear Roller  
 Smooth Roller Scraper Kit, 2 inch, QA5/QA7, 22 inch, Rear Roller  
 Smooth Roller Scraper Kit, 2 inch, QA5/QA7, 22 inch, Rear Roller



PU49442 A.1



PU49442

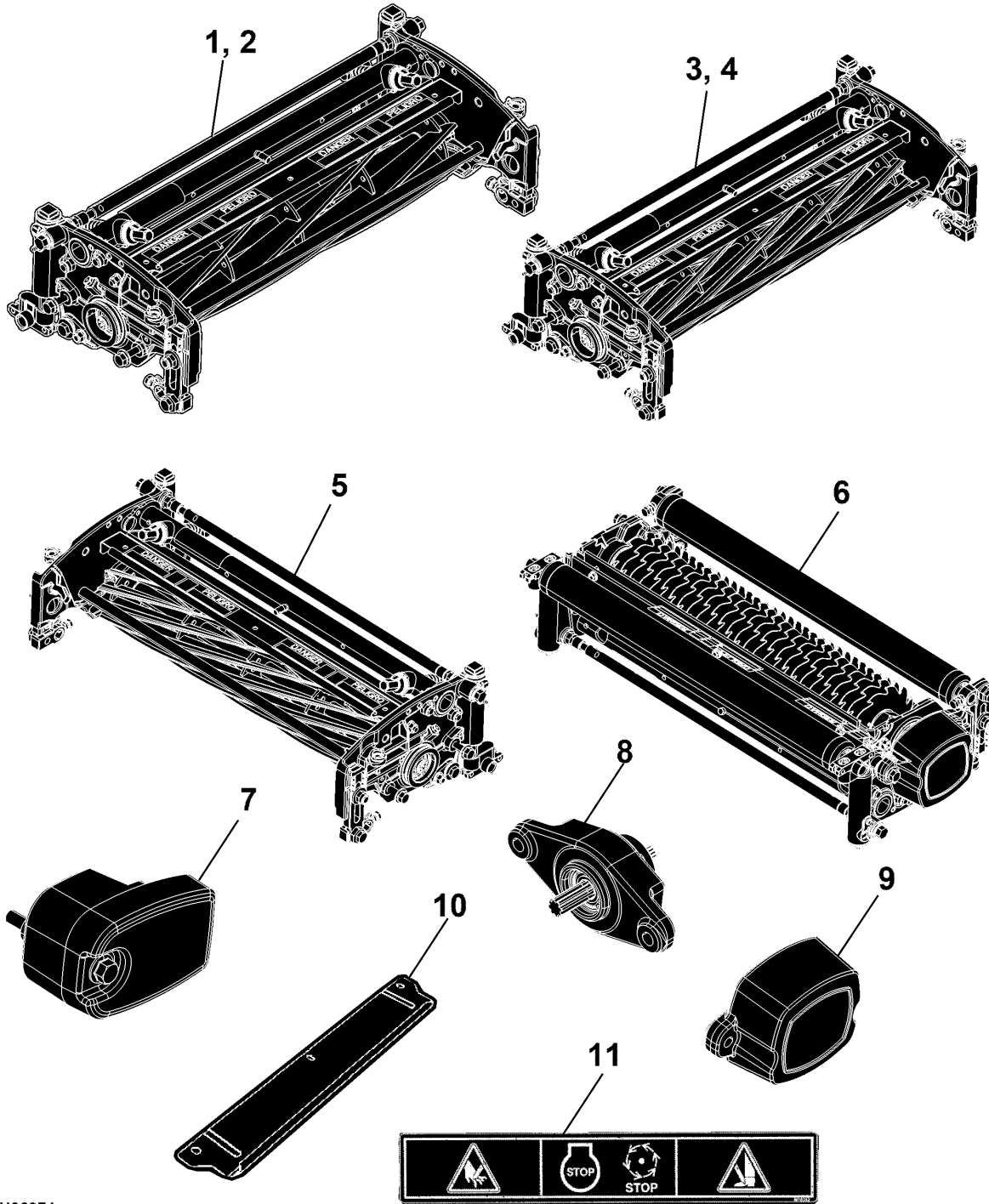
Key	Part No.	Part Name	Qty.	Serial No.	Remarks
1	BM22995	Scraper Kit	1		ROLLER SCRAPER
2	TCA19566	Cable	1		
3	U45916	Lock Nut	2		



Sectional Pictorial Index  
 Index d'illustrations par sections.  
 Gruppenbildindex  
 Indice illustrato delle sezioni  
 Índice de ilustraciones por secciones  
 Avsnittsbildregister

PU38974 A.1

1-	272
2-	274
3-	276
4-	278
5-	280
6-	282
7-	284
8-	285
9-	286
10-	287
11-	288

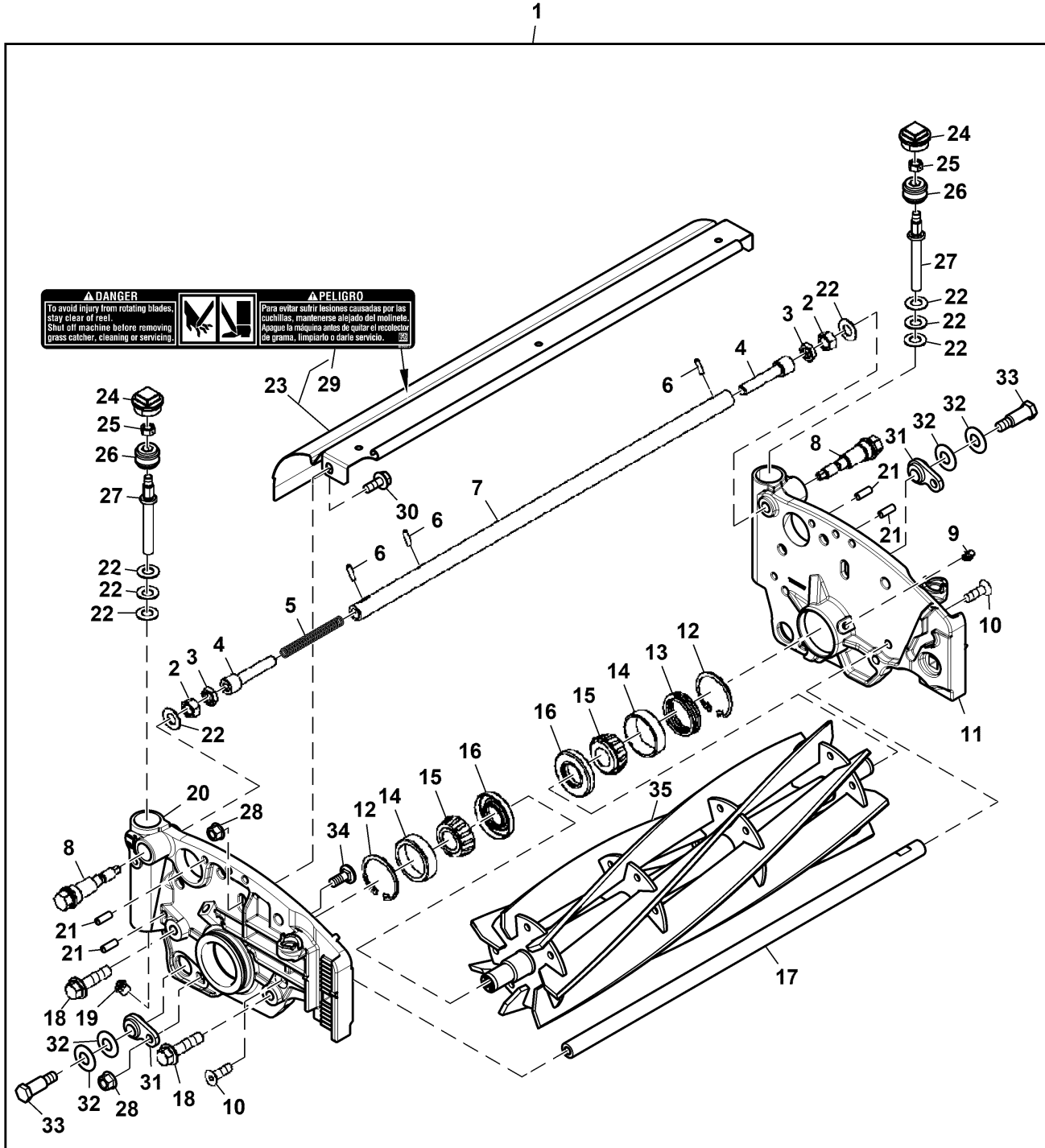


PU38974



Reel Cutting Unit, Quick Adjust 5, 22 inch, 7-Blade, Attachment (1/2)  
 Reel Cutting Unit, Quick Adjust 5, 22 inch, 7-Blade, Attachment (1/2)  
 Reel Cutting Unit, Quick Adjust 5, 22 inch, 7-Blade, Attachment (1/2)  
 Reel Cutting Unit, Quick Adjust 5, 22 inch, 7-Blade, Attachment (1/2)  
 Reel Cutting Unit, Quick Adjust 5, 22 inch, 7-Blade, Attachment (1/2)  
 Reel Cutting Unit, Quick Adjust 5, 22 inch, 7-Blade, Attachment (1/2)

PU53942 A.1



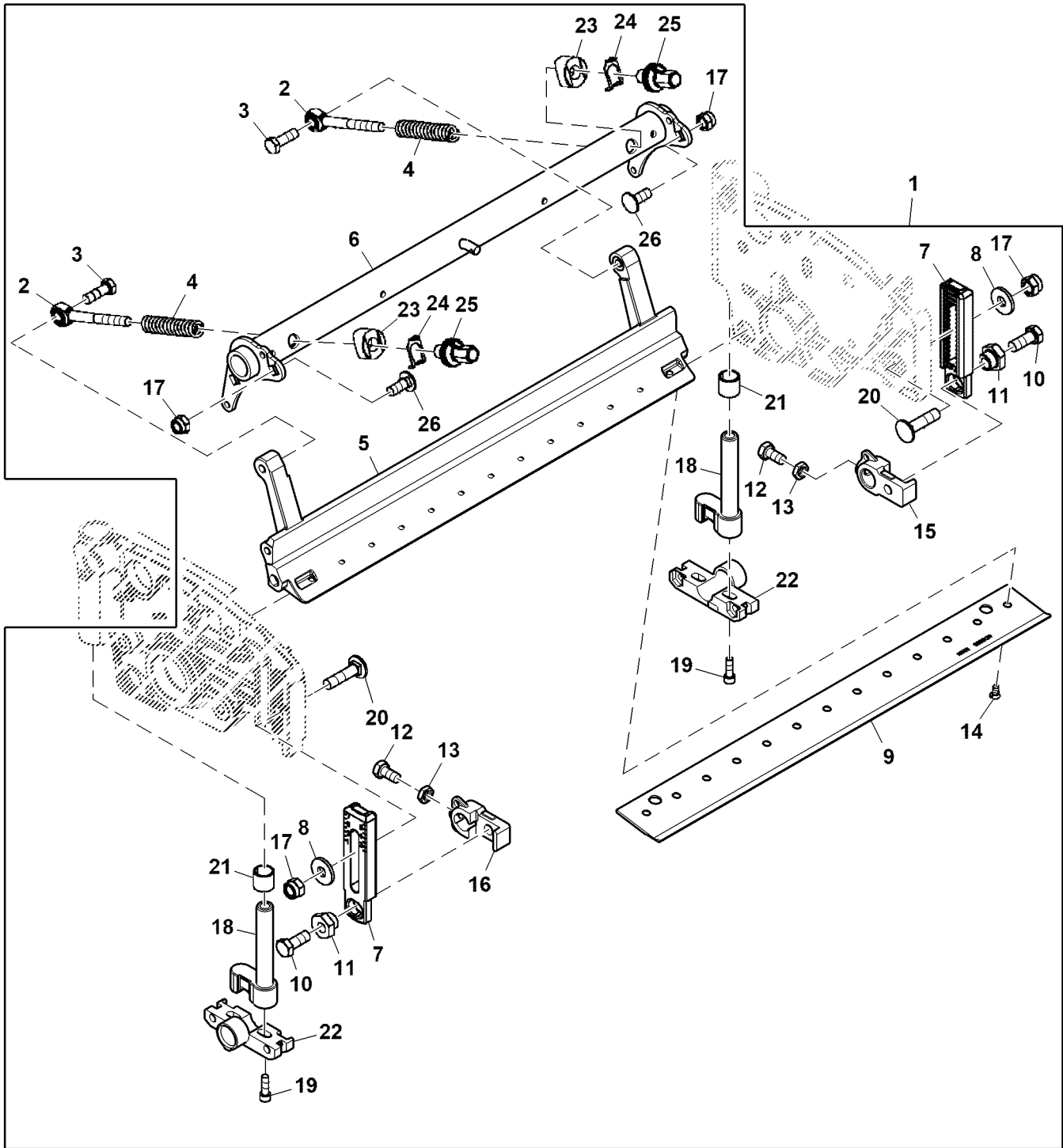
PU53942



Key	Part No.	Part Name	Qty.	Serial No.	Remarks
1	BUC11255	Reel Cutting Unit	1		SUB FOR BUC10414
2	14M7274	Nut	2		M10
3	14M7152	Nut	2		M10
4	TCU24958	Socket	2		
5	TCU25398	Compression Spring	1		Adjuster
6	34M7094	Spring Pin	3		4 X 16 mm
7	TCU26729	Tube	1		Adjuster
8	TCU26458	Worm Gear	2		
9	JD7844	Lubrication Fitting	4		
10	19M7585	Screw	2		M8 X 25
11	TCU35637	Panel	1		LH
12	40M1862	Snap Ring	2		
13	TCU28964	Compression Spring	1		
14	JD8226	Bearing Cup	2		
15	JD8188	Bearing Cone	2		
16	ET14566	Seal	2		
17	UC13425	Rod	1		
18	19M7804	Screw	4		M10 X 40
19	E14814	Pressure Relief Fitting	2		
20	TCU35638	Panel	1		RH
21	R30587	Dowel Pin	4		
22	ET16679	Spring Washer	8		
23	TCA19624	Cover Kit	1		
24	UC16102	Fitting	2		Height of Cut Adjuster
25	M148268	Lock Nut	2		
26	TCU40491	Worm Gear	2		Z = 20
27	TCU24328	Adjuster	2		Height of Cut, Rear
28	H137328	Lock Nut	4		
29	MT6517	Label	2		Danger, Rotating Blades, English / Spanish
30	19M7866	Screw	2		M8 X 20
31	TCU24334	Retainer	2		
32	N168012	Washer	4		
33	MT3016	Bolt	2		
34	03M7184	Bolt	2		M8 X 20
35	TCA19350	Mower Reel	1		

Reel Cutting Unit, Quick Adjust 5, 22 inch, 7-Blade, Attachment (2/2)  
 Reel Cutting Unit, Quick Adjust 5, 22 inch, 7-Blade, Attachment (2/2)  
 Reel Cutting Unit, Quick Adjust 5, 22 inch, 7-Blade, Attachment (2/2)  
 Reel Cutting Unit, Quick Adjust 5, 22 inch, 7-Blade, Attachment (2/2)  
 Reel Cutting Unit, Quick Adjust 5, 22 inch, 7-Blade, Attachment (2/2)  
 Reel Cutting Unit, Quick Adjust 5, 22 inch, 7-Blade, Attachment (2/2)

PU38700 A.1

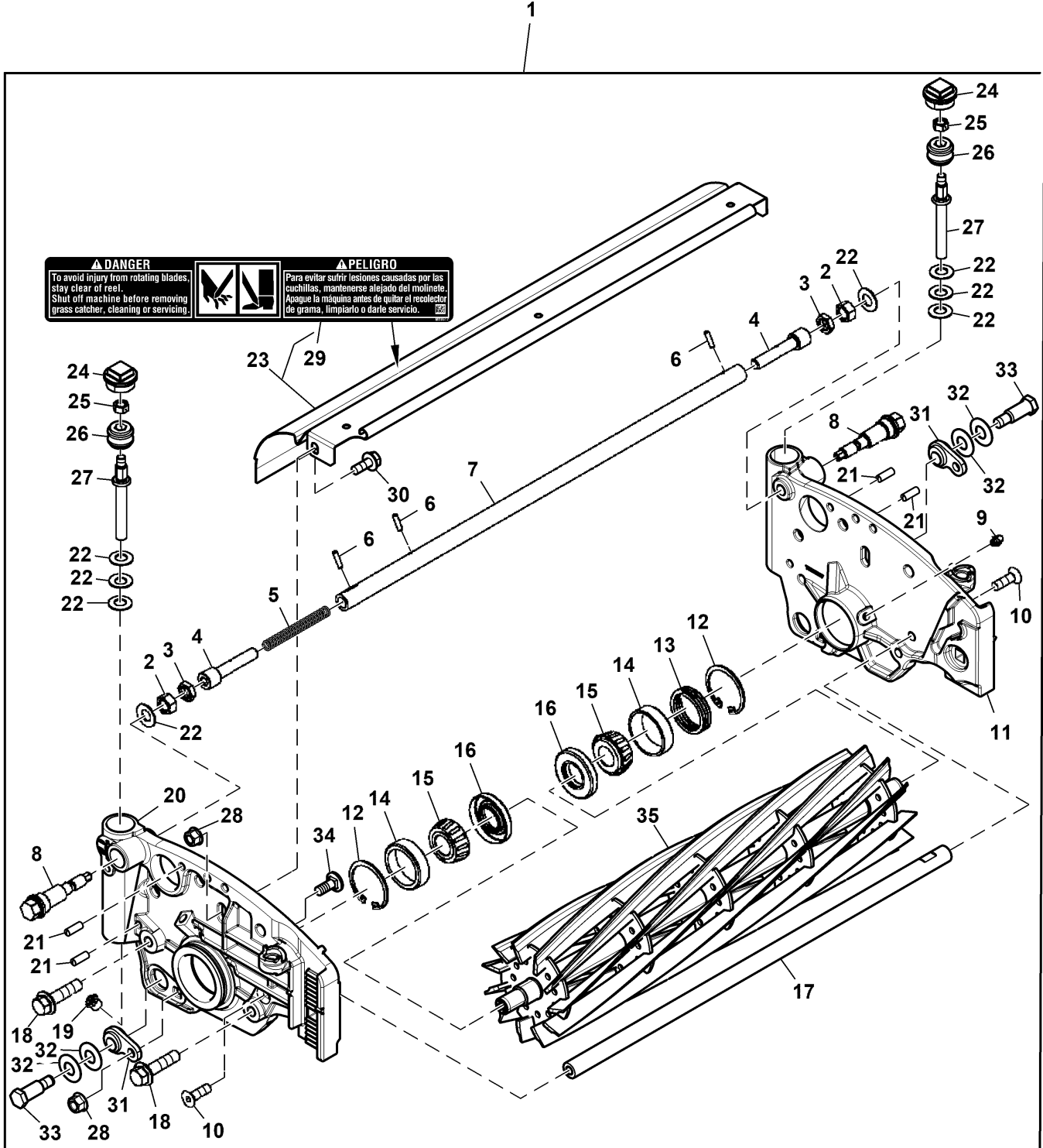


PU38700

Key	Part No.	Part Name	Qty.	Serial No.	Remarks
1	BUC11255	Reel Cutting Unit	1		SUB FOR BUC10414
2	TCU30798	Link End	2		
3	19M7168	Cap Screw	2		M10 X 30
4	TCU36464	Compression Spring	2		Bed Knife Shoe
5	TCU35968	Shoe	1		
6	AUC13891	Frame	1		
7	UC16108	Bracket	2		Front Roller
8	24H1309	Washer	2		13/32" X 1-1/16" X 0.120"
9	UC23562	Stationary Knife	1		Height of Cut = 7.6 mm, SUB FOR ET17767, Fairway High Cut
	UC28156	Stationary Knife	1		Height of Cut = 4.8 mm, SUB FOR UC18865 OR ET17532, Fairway Low Cut
	UC18873	Stationary Knife	1		Height of Cut = 3.2 mm, SUB FOR ET17533, STD
	ET11066	Stationary Knife	1		Height of Cut = 3.2 mm, STD, Hardened Steel
	UC18869	Stationary Knife	1		Height of Cut = 2.5 mm, SUB FOR ET17534, STD, Tournament
10	19M7402	Cap Screw	2		M10 X 25
11	TCU28635	Eccentric	2		
12	19M7162	Cap Screw	2		M8 X 16
13	14M7151	Nut	2		M8
14	21M7194	Screw	13		M6 X 12
15	UC18211	Bracket	1		Mounting Support, IF USING FTC/GTC OR UC16109 IF NO FTC/GTC, LH
16	UC16109	Bracket	1		Mounting Support, IF NO FTC/GTC OR UC18211 IF USING FTC/GTC, RH
17	14M7517	Lock Nut	6		M10
18	AUC13512	Adjuster	2		Height of Cut, Rear
19	19M7603	Screw	4		M6 X 20
20	03M7194	Bolt	2		M10 X 40
21	MT74	Bushing	2		
22	UC22218	Half Clamp	2		
23	TCU27453	Base	2		Bedknife Adjuster
24	TCU25393	Leaf Spring	2		Bedknife Adjuster
25	UC16137	Adjuster	2		Bedknife
26	03M7191	Bolt	4		M10 X 25

- Reel Cutting Unit, Quick Adjust 5, 22 inch, 11-Blade, Attachment (1/2)
- Reel Cutting Unit, Quick Adjust 5, 22 inch, 11-Blade, Attachment (1/2)
- Reel Cutting Unit, Quick Adjust 5, 22 inch, 11-Blade, Attachment (1/2)
- Reel Cutting Unit, Quick Adjust 5, 22 inch, 11-Blade, Attachment (1/2)
- Reel Cutting Unit, Quick Adjust 5, 22 inch, 11-Blade, Attachment (1/2)
- Reel Cutting Unit, Quick Adjust 5, 22 inch, 11-Blade, Attachment (1/2)

PU53953 A.1

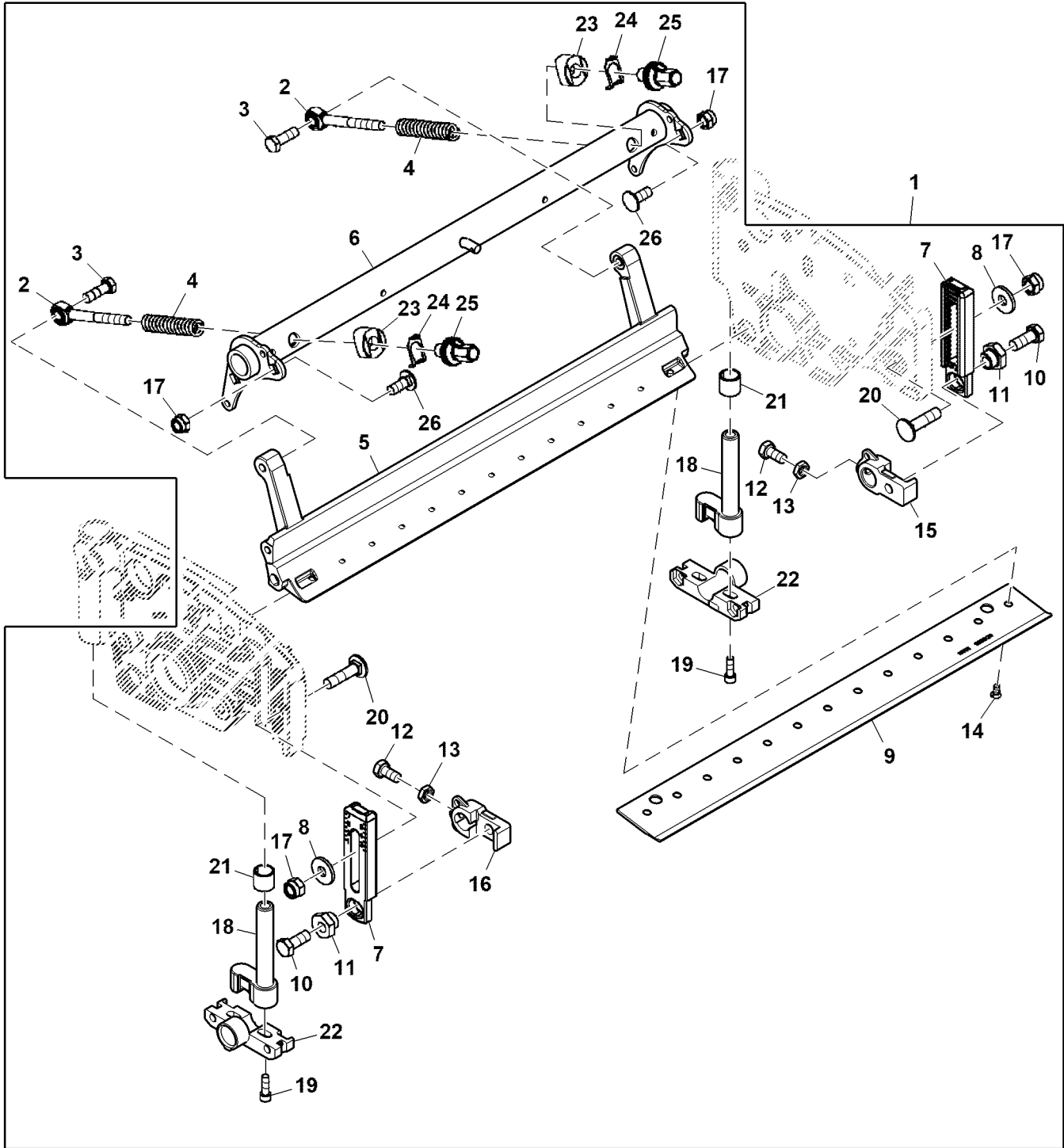


PU53953

Key	Part No.	Part Name	Qty.	Serial No.	Remarks
1	BUC10415	Reel Cutting Unit	1		
2	14M7274	Nut	2		M10
3	14M7152	Nut	2		M10
4	TCU24958	Socket	2		
5	TCU25398	Compression Spring	1		Adjuster
6	34M7094	Spring Pin	3		4 X 16 mm
7	TCU26729	Tube	1		Adjuster
8	TCU26458	Worm Gear	2		
9	JD7844	Lubrication Fitting	4		
10	19M7585	Screw	2		M8 X 25
11	TCU35637	Panel	1		LH
12	40M1862	Snap Ring	2		
13	TCU28964	Compression Spring	1		
14	JD8226	Bearing Cup	2		
15	JD8188	Bearing Cone	2		
16	ET14566	Seal	2		
17	UC13425	Rod	1		Front
18	19M7804	Screw	4		M10 X 40
19	E14814	Pressure Relief Fitting	2		
20	TCU35638	Panel	1		RH
21	R30587	Dowel Pin	4		
22	ET16679	Spring Washer	8		
23	TCA19624	Shield	1		
24	UC16102	Fitting	2		Height of Cut Adjuster
25	M148268	Lock Nut	2		
26	TCU40491	Worm Gear	2		Z = 20
27	TCU24328	Adjuster	2		Height of Cut, Rear
28	H137328	Lock Nut	4		
29	MT6517	Label	2		Danger, Rotating Blades, English / Spanish
30	19M7866	Screw	2		M8 X 20
31	TCU24334	Retainer	2		
32	N168012	Washer	4		
33	MT3016	Bolt	2		
34	03M7184	Bolt	2		M8 X 20
35	TCA19351	Mower Reel	1		

Reel Cutting Unit, Quick Adjust 5, 22 inch, 11-Blade, Attachment (2/2)  
 Reel Cutting Unit, Quick Adjust 5, 22 inch, 11-Blade, Attachment (2/2)  
 Reel Cutting Unit, Quick Adjust 5, 22 inch, 11-Blade, Attachment (2/2)  
 Reel Cutting Unit, Quick Adjust 5, 22 inch, 11-Blade, Attachment (2/2)  
 Reel Cutting Unit, Quick Adjust 5, 22 inch, 11-Blade, Attachment (2/2)  
 Reel Cutting Unit, Quick Adjust 5, 22 inch, 11-Blade, Attachment (2/2)

PU38700 A.1



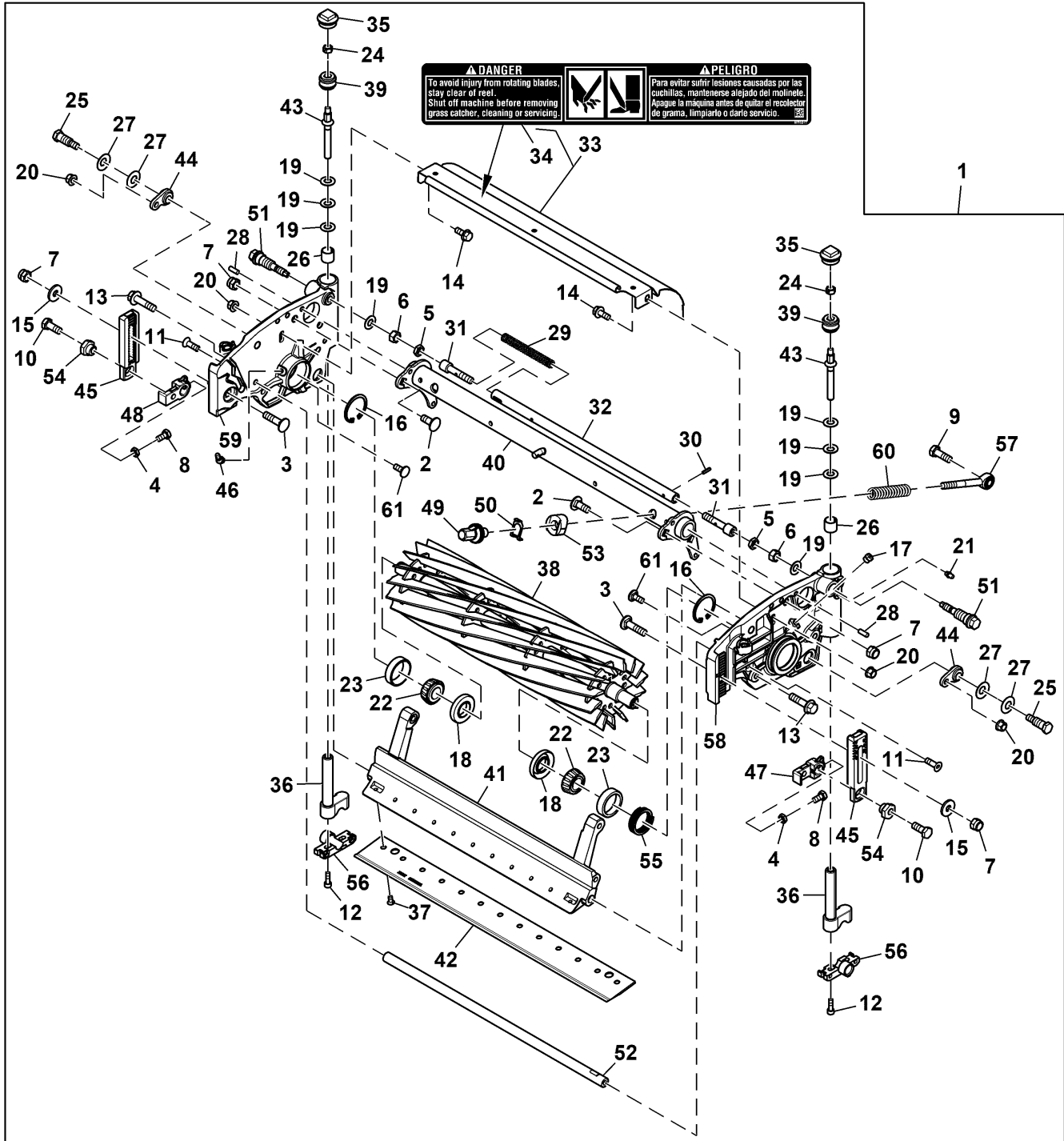
PU38700

Key	Part No.	Part Name	Qty.	Serial No.	Remarks
1	BUC10415	Reel Cutting Unit	1		
2	TCU30798	Link End	2		Bedknife Adjuster
3	19M7168	Cap Screw	2		M10 X 30
4	TCU36464	Compression Spring	2		Bedknife Shoe
5	TCU35968	Shoe	1		
6	AUC13891	Frame	1		
7	UC16108	Bracket	2		Front Roller
8	24H1309	Washer	2		13/32" X 1-1/16" X 0.120"
9	UC23562	Stationary Knife	1		Height of Cut = 7.6 mm, SUB FOR ET17767, Fairway High Cut
	UC28163	Stationary Knife	1		Height of Cut = 2.0 mm, SUB FOR UC19154, Low Cut
	TCU36165	Stationary Knife	1		Height of Cut = 2.0 mm, Low Cut, Hardened Steel
	UC18873	Stationary Knife	1		Height of Cut = 3.2 mm, STD
	ET11066	Stationary Knife	1		Height of Cut = 3.2 mm, STD, Hardened Steel
	UC18869	Stationary Knife	1		Height of Cut = 2.5 mm, STD, Tournament
10	19M7402	Cap Screw	2		M10 X 25
11	TCU28635	Eccentric	2		
12	19M7162	Cap Screw	2		M8 X 16
13	14M7151	Nut	2		M8
14	21M7194	Screw	13		M6 X 12
15	UC18211	Bracket	1		Mounting Support, IF USING FTC/GTC OR UC16109 IF NO FTC/GTC, LH
16	UC16109	Bracket	1		Mounting Support, IF NO FTC/GTC OR UC18211 IF USING FTC/GTC, RH
17	14M7517	Lock Nut	6		M10
18	AUC13512	Adjuster	2		Height of Cut, Rear
19	19M7603	Screw	4		M6 X 20
20	03M7194	Bolt	2		M10 X 40
21	MT74	Bushing	2		
22	UC22218	Half Clamp	2		
23	TCU27453	Base	2		Bedknife Adjuster
24	TCU25393	Leaf Spring	2		Adjuster
25	UC16137	Adjuster	2		Bedknife
26	03M7191	Bolt	4		M10 X 25

Reel Cutting Unit, 22 inch, Quick Adjust 5, 14 blade, Attachment  
 Reel Cutting Unit, 22 inch, Quick Adjust 5, 14 blade, Attachment  
 Reel Cutting Unit, 22 inch, Quick Adjust 5, 14 blade, Attachment  
 Reel Cutting Unit, 22 inch, Quick Adjust 5, 14 blade, Attachment  
 Reel Cutting Unit, 22 inch, Quick Adjust 5, 14 blade, Attachment  
 Reel Cutting Unit, 22 inch, Quick Adjust 5, 14 blade, Attachment



PU53970 A.1



PU53970

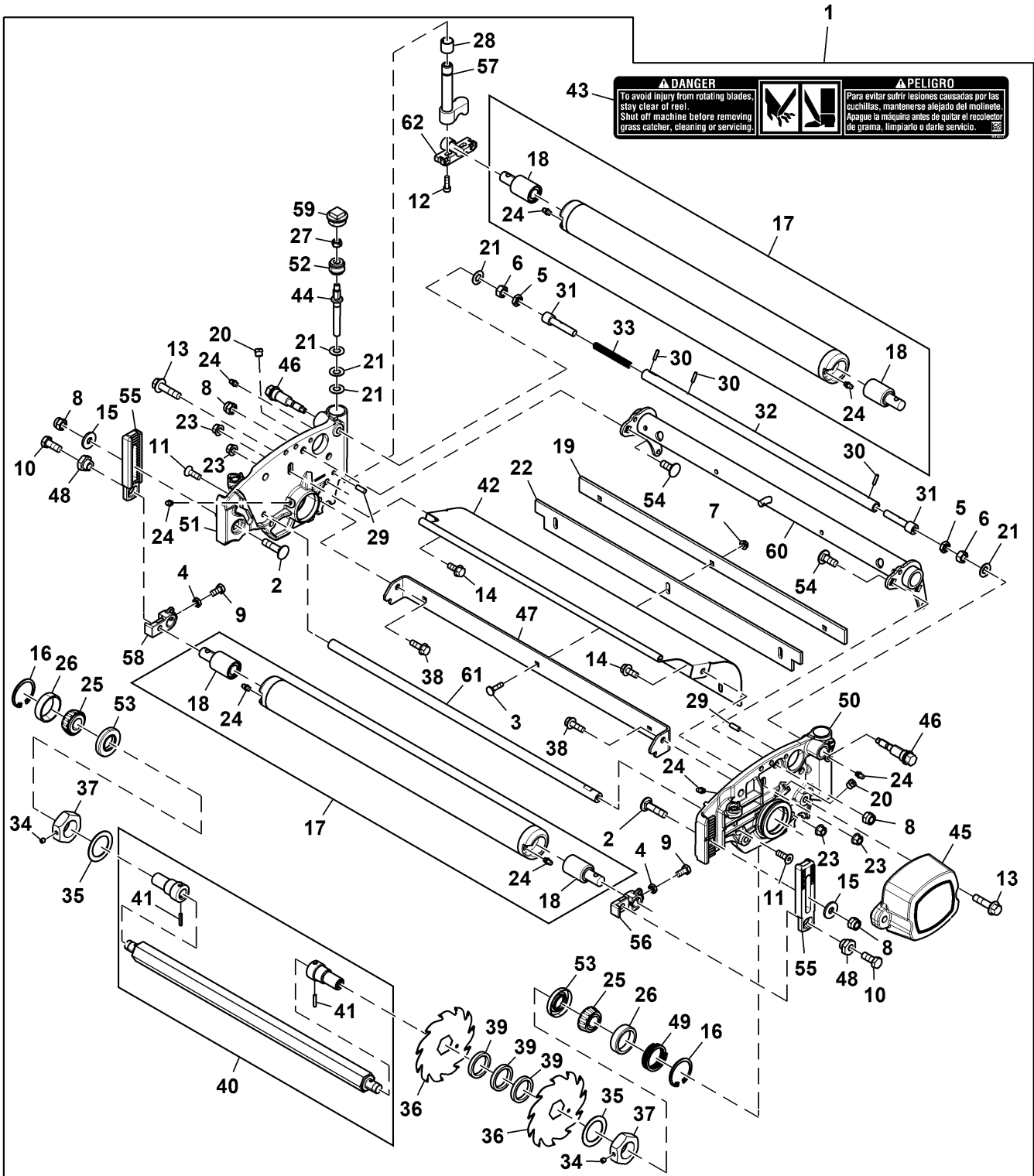


Key	Part No.	Part Name	Qty.	Serial No.	Remarks
1	BUC10416	Reel Cutting Unit	1		14 Blade
2	03M7191	Bolt	4		M10 X 25
3	03M7194	Bolt	2		M10 X 40
4	14M7151	Nut	2		M8
5	14M7152	Nut	2		M10
6	14M7274	Nut	2		M10
7	14M7517	Lock Nut	6		M10
8	19M7162	Cap Screw	2		M8 X 16
9	19M7168	Cap Screw	2		M10 X 30
10	19M7402	Cap Screw	2		M10 X 25
11	19M7585	Screw	2		M8 X 25
12	19M7603	Screw	4		M6 X 20
13	19M7804	Screw	4		M10 X 40
14	19M7866	Screw	2		M8 X 20
15	24H1309	Washer	2		13/32" X 1-1/16" X 0.120"
16	40M1862	Snap Ring	2		
17	E14814	Pressure Relief Fitting	2		
18	ET14566	Seal	2		
19	ET16679	Spring Washer	8		
20	H137328	Lock Nut	4		
21	JD7844	Lubrication Fitting	2		
22	JD8188	Bearing Cone	2		
23	JD8226	Bearing Cup	2		
24	M148268	Lock Nut	2		
25	MT3016	Bolt	2		
26	MT74	Bushing	2		
27	N168012	Washer	4		
28	R30587	Dowel Pin	4		
29	TCU25398	Compression Spring	1		Adjuster
30	34M7094	Spring Pin	3		4 X 16 mm
31	TCU24958	Socket	2		
32	TCU26729	Tube	1		Adjuster
33	TCA19624	Shield	1		
34	MT6517	Label	2		Danger, Rotating Blades, English / Spanish
35	UC16102	Fitting	2		
36	AUC13512	Adjuster	2		Height of Cut, Rear
37	21M7194	Screw	13		M6 X 12
38	TCA23621	Mower Reel	1		
39	TCU40491	Worm Gear	2		Z = 20
40	AUC13891	Frame	1		
41	TCU35968	Shoe	1		
42	TCU36165	Stationary Knife	1		Height of Cut = 2.0 mm, Low Cut, Hardened Steel
	UC18869	Stationary Knife	1		Height of Cut = 2.5 mm, STD, Tournament
	UC18873	Stationary Knife	1		Height of Cut = 3.2 mm, STD
	ET11066	Stationary Knife	1		Height of Cut = 3.2 mm, STD, Hardened Steel
	UC23562	Stationary Knife	1		Height of Cut = 7.6 mm, SUB FOR ET17767, Fairway High Cut
43	TCU24328	Adjuster	2		Height of Cut, Rear
44	TCU24334	Retainer	2		
45	UC16108	Bracket	2		Front Roller
46	JD7846	Lubrication Fitting	2		
47	UC18211	Bracket	1		IF USING FTC/GTC OR UC16109 IF NO FTC/GTC, Mounting, LH
48	UC16109	Bracket	1		IF NO FTC/GTC OR UC18211 IF USING FTC/GTC, Mounting, RH
49	UC16137	Adjuster	2		Bed Knife
50	TCU25393	Leaf Spring	2		Adjuster
51	TCU26458	Worm Gear	2		
52	UC13425	Rod	1		Front
53	TCU27453	Base	2		Bedknife Adjuster
54	TCU28635	Eccentric	2		
55	TCU28964	Compression Spring	1		
56	UC22218	Half Clamp	2		
57	TCU30798	Link End	2		Bedknife Adjuster
58	TCU35637	Panel	1		LH
59	TCU35638	Panel	1		RH
60	TCU36464	Compression Spring	2		Bedknife Shoe
61	03M7184	Bolt	2		M8 X 20

Vertical Cutting Unit, 22 inch, Quick Adjust 5, Attachment  
 Vertical Cutting Unit, 22 inch, Quick Adjust 5, Attachment  
 Vertical Cutting Unit, 22 inch, Quick Adjust 5, Attachment  
 Vertical Cutting Unit, 22 inch, Quick Adjust 5, Attachment  
 Vertical Cutting Unit, 22 inch, Quick Adjust 5, Attachment  
 Vertical Cutting Unit, 22 inch, Quick Adjust 5, Attachment



PU53969 A.1



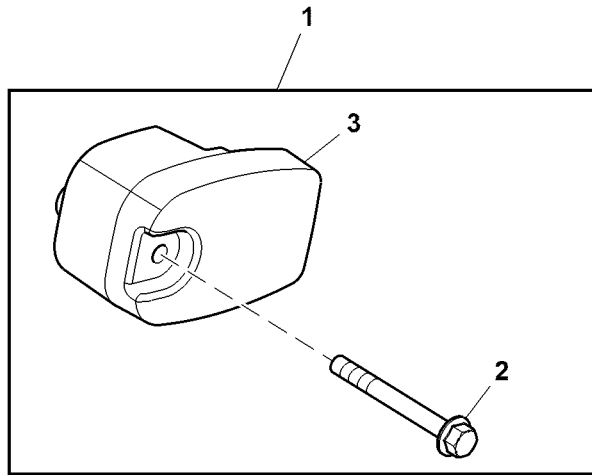
PU53969

Key	Part No.	Part Name	Qty.	Serial No.	Remarks
1	BUC10417	Vertical Cutter	1		
2	03M7194	Bolt	2		M10 X 40
3	03M7232	Bolt	3		M6 X 25
4	14M7151	Nut	2		M8
5	14M7152	Nut	2		M10
6	14M7274	Nut	2		M10
7	14M7303	Flange Nut	3		M6
8	14M7517	Lock Nut	6		M10
9	19M7162	Cap Screw	2		M8 X 16
10	19M7402	Cap Screw	2		M10 X 25
11	19M7585	Screw	2		M8 X 25
12	19M7603	Screw	4		M6 X 20
13	19M7804	Screw	4		M10 X 40
14	19M7866	Screw	4		M8 X 20
15	24H1309	Washer	2		13/32" X 1-1/16" X 0.120"
16	40M1862	Snap Ring	2		
17	BM18480	Mower Reel	2		
18	TCA22836	Ball Bearing	4		Integral Shaft
19	AMT2704	Strap	1		
20	E14814	Pressure Relief Fitting	2		
21	ET16679	Spring Washer	8		
22	ET17914	Isolator	1		
23	H137328	Lock Nut	4		
24	JD7844	Lubrication Fitting	8		
25	JD8188	Bearing Cone	2		
26	JD8226	Bearing Cup	2		
27	M148268	Lock Nut	2		
28	MT74	Bushing	2		
29	R30587	Dowel Pin	4		
30	34M7094	Spring Pin	3		4 X 16 mm
31	TCU24958	Socket	2		Adjuster
32	TCU26729	Tube	1		
33	TCU25398	Compression Spring	1		Adjuster
34	22H841	Set Screw	2		1/4" X 1/4"
35	24H1513	Washer	2		1-13/32" X 2" X 0.060"
36	TCU26776	Saw Blade	27		
37	ET17053	Nut	2		
38	19M7867	Screw	2		M8 X 25
39	ET17713	Washer	79		
40	TCA19344	Shaft	1		
41	34M7028	Spring Pin	2		4 X 22 mm
42	TCA19359	Cover	1		INCLUDES MT6517
43	MT6517	Label	2		Danger, English / Spanish
44	TCU24328	Adjuster	2		Height of Cut, Rear
45	TCU25820	Counterweight	1		Reel Painted
46	TCU26458	Worm Gear	2		
47	TCU26720	Strap	1		
48	TCU28635	Eccentric	2		
49	TCU28964	Compression Spring	1		
50	TCU36325	Panel	1		LH
51	TCU36326	Panel	1		RH
52	TCU40491	Worm Gear	2		Z = 20
53	ET14566	Seal	2		
54	03M7191	Bolt	4		M10 X 25
55	UC16108	Bracket	2		Front Roller
56	UC18211	Bracket	1		Mounting Support, IF USING FTC/GTC OR UC16109 IF NO FTC/GTC, LH
57	AUC13598	Adjuster	2		Height of Cut, Rear
58	UC16109	Bracket	1		Mounting Support, IF NO FTC/GTC OR UC18211 IF USING FTC/GTC, RH
59	UC16102	Fitting	2		
60	AUC13891	Frame	1		
61	UC13425	Rod	1		Front
62	UC22218	Half Clamp	2		Roller

Counterweight Kit, Cutting Unit, FTC / GTC, QA5  
 Counterweight Kit, Cutting Unit, FTC / GTC, QA5  
 Counterweight Kit, Cutting Unit, FTC / GTC, QA5  
 Counterweight Kit, Cutting Unit, FTC / GTC, QA5  
 Counterweight Kit, Cutting Unit, FTC / GTC, QA5  
 Counterweight Kit, Cutting Unit, FTC / GTC, QA5



PU38752 A.1



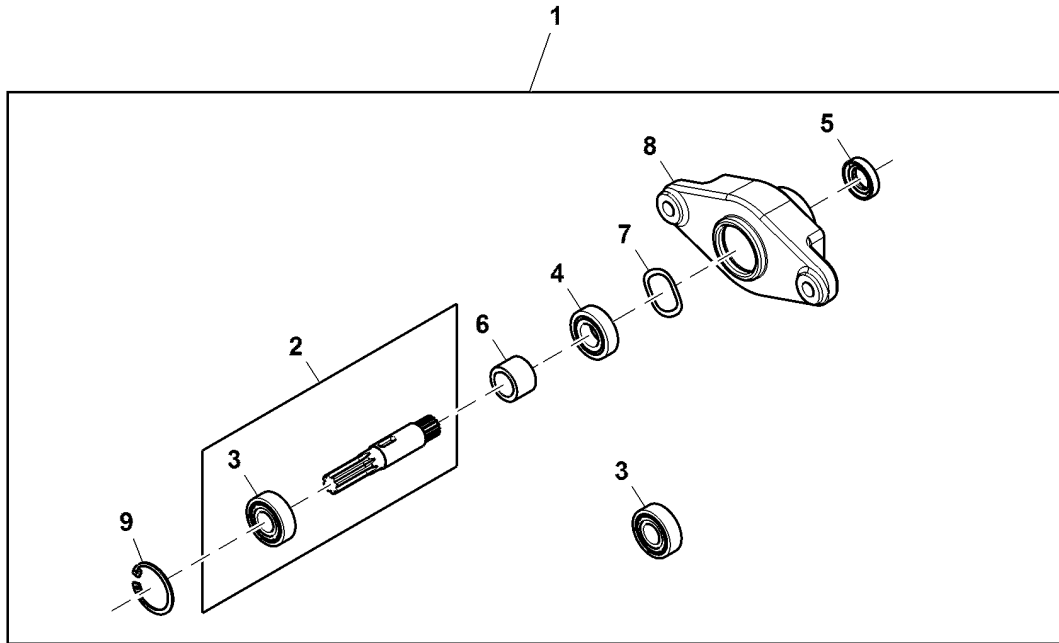
PU38752

Key	Part No.	Part Name	Qty.	Serial No.	Remarks
1	BM22704	Counterweight Kit	1		
2	19M7811	Screw	1	M10 X 90	
3	TCU25821	Counterweight	1		

Counterweight Kit, Cutting Unit Brush, QA5  
 Counterweight Kit, Cutting Unit Brush, QA5  
 Counterweight Kit, Cutting Unit Brush, QA5  
 Counterweight Kit, Cutting Unit Brush, QA5  
 Counterweight Kit, Cutting Unit Brush, QA5  
 Counterweight Kit, Cutting Unit Brush, QA5



PU27630 A.1



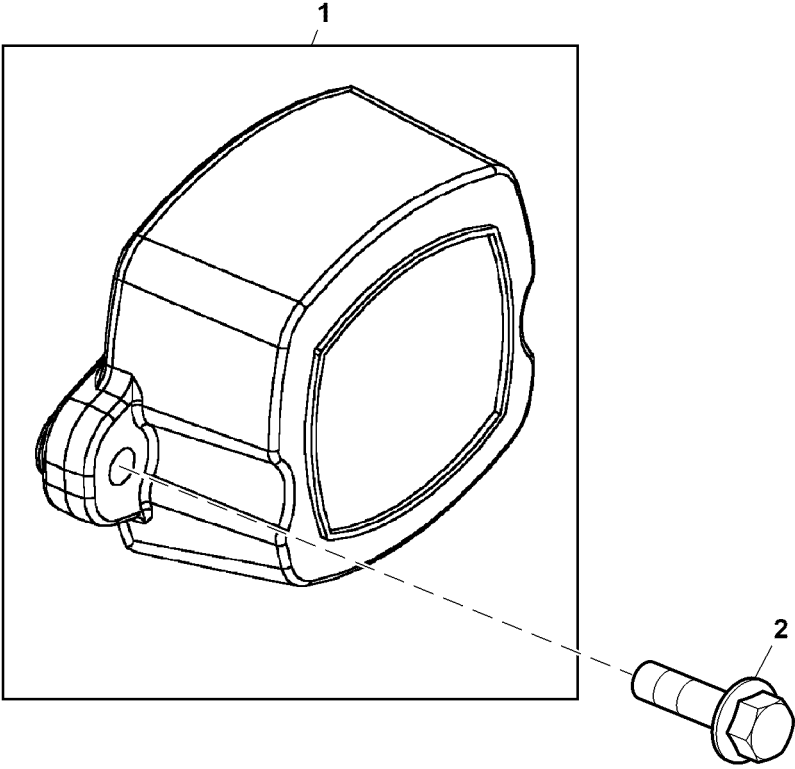
**PU27630**

Key	Part No.	Part Name	Qty.	Serial No.	Remarks
1	BM22705	Kit	1		
2	AMT3022	Drive Shaft	1		
3	M802355	Bearing	2		
4	JD8653	Ball Bearing	1		
5	MT2622	Seal	1		
6	R131803	Spacer	1		
7	TCU18109	Spring Washer	1		
8	TCU25432	Counterweight	1		
9	40M1858	Snap Ring	1		

Counterweight Kit  
Counterweight Kit  
Counterweight Kit  
Counterweight Kit  
Counterweight Kit  
Counterweight Kit



PU32045 A.1



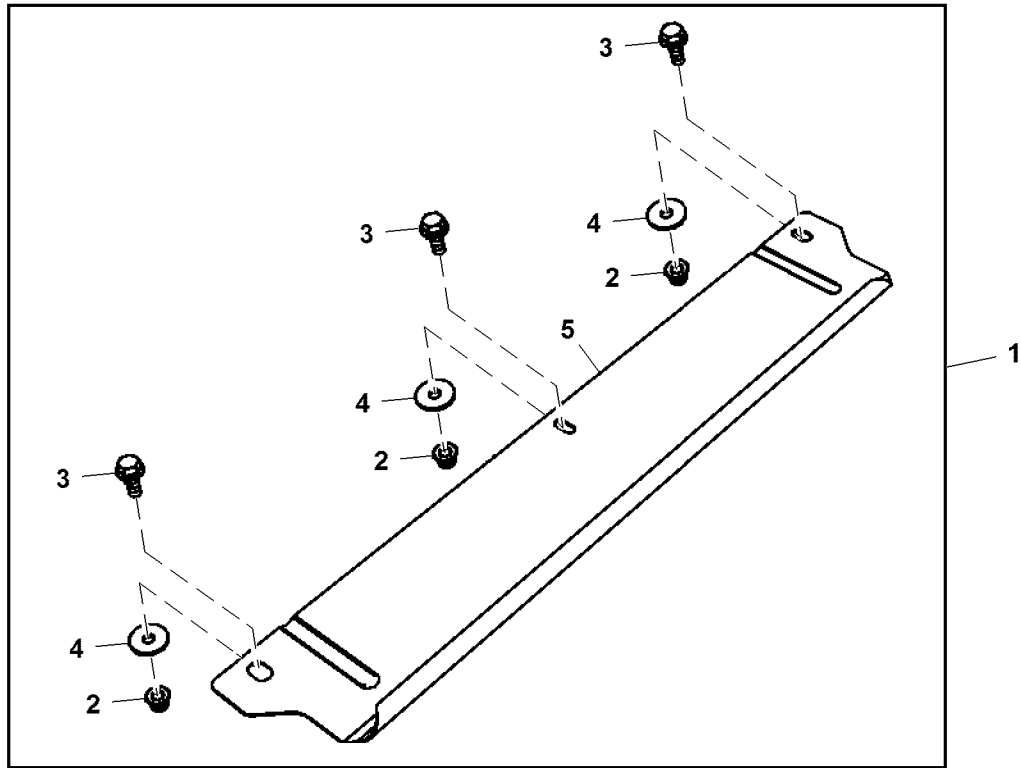
PU32045

Key	Part No.	Part Name	Qty.	Serial No.	Remarks
1	BM22762	Counterweight Kit	1		INCLUDES TCU25820
2	19M7804	Screw	2		M10 X 40
3	TCU25820	Counterweight	1		Not Illustrated

Extension Plate Kit, Cutting Unit  
 Extension Plate Kit, Cutting Unit  
 Extension Plate Kit, Cutting Unit  
 Extension Plate Kit, Cutting Unit  
 Extension Plate Kit, Cutting Unit  
 Extension Plate Kit, Cutting Unit



PU19812 A.1

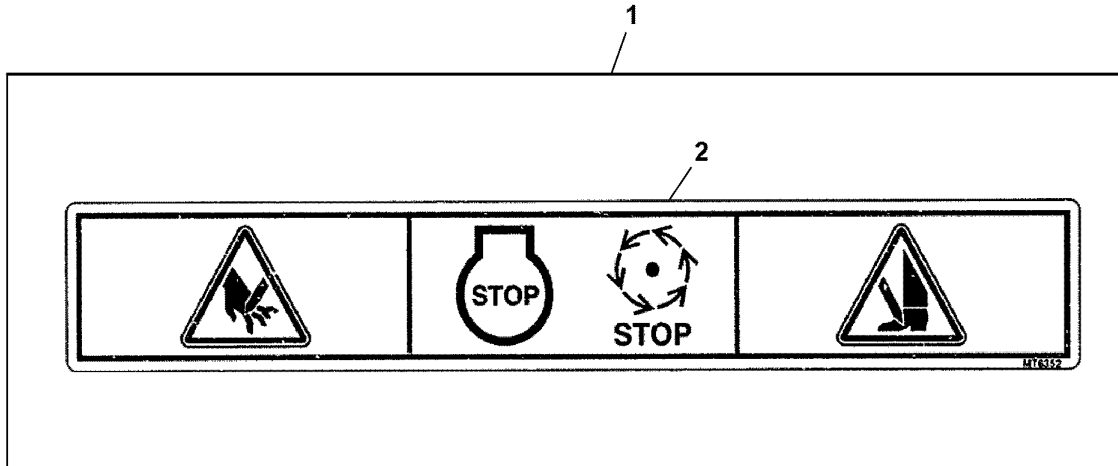


PU19812

Key	Part No.	Part Name	Qty.	Serial No.	Remarks
1	BM23080	Kit	1		
2	14M7397	Lock Nut	9		M6
3	19M7775	Screw	9		M6 X 16
4	24M7100	Washer	9		6.600 X 22 X 2 mm
5	TCU27183	Shield	3		

Label Kit, Reel Certification (Not for Canada and USA)  
 Label Kit, Reel Certification (Not for Canada and USA)  
 Label Kit, Reel Certification (Not for Canada and USA)  
 Label Kit, Reel Certification (Not for Canada and USA)  
 Label Kit, Reel Certification (Not for Canada and USA)  
 Label Kit, Reel Certification (Not for Canada and USA)

PU49130 A.1



PU49130

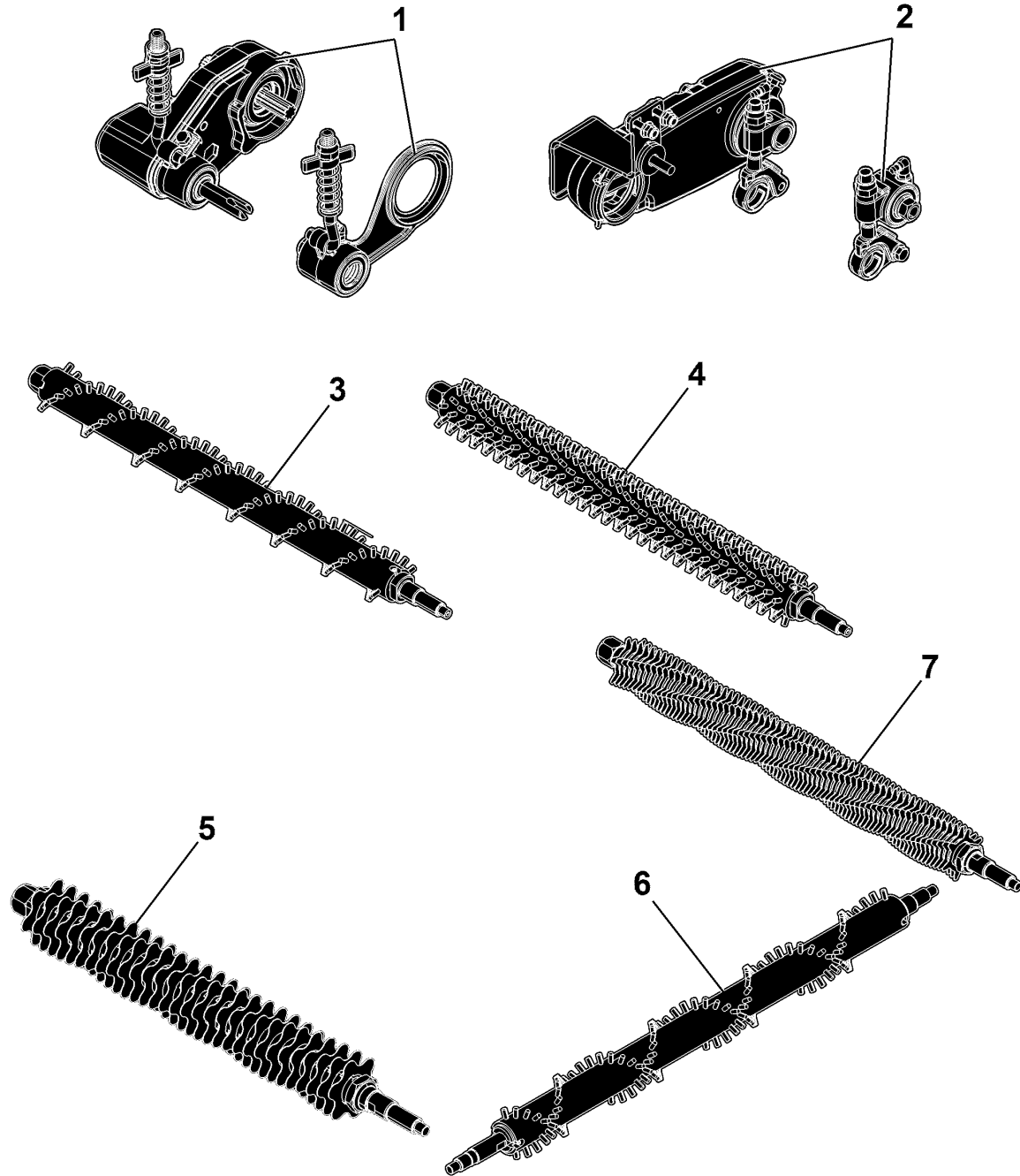
Key	Part No.	Part Name	Qty.	Serial No.	Remarks
1	BM19945	Label Kit	1		ORDER MT6732
2	MT6732	Label	2		Danger, Reels



Sectional Pictorial Index  
 Index d'illustrations par sections.  
 Gruppenbildindex  
 Indice illustrato delle sezioni  
 Índice de ilustraciones por secciones  
 Avsnittsbildregister

PU39114 A.1

1-	290
2-	292
3-	294
4-	295
5-	296
6-	298
7-	299



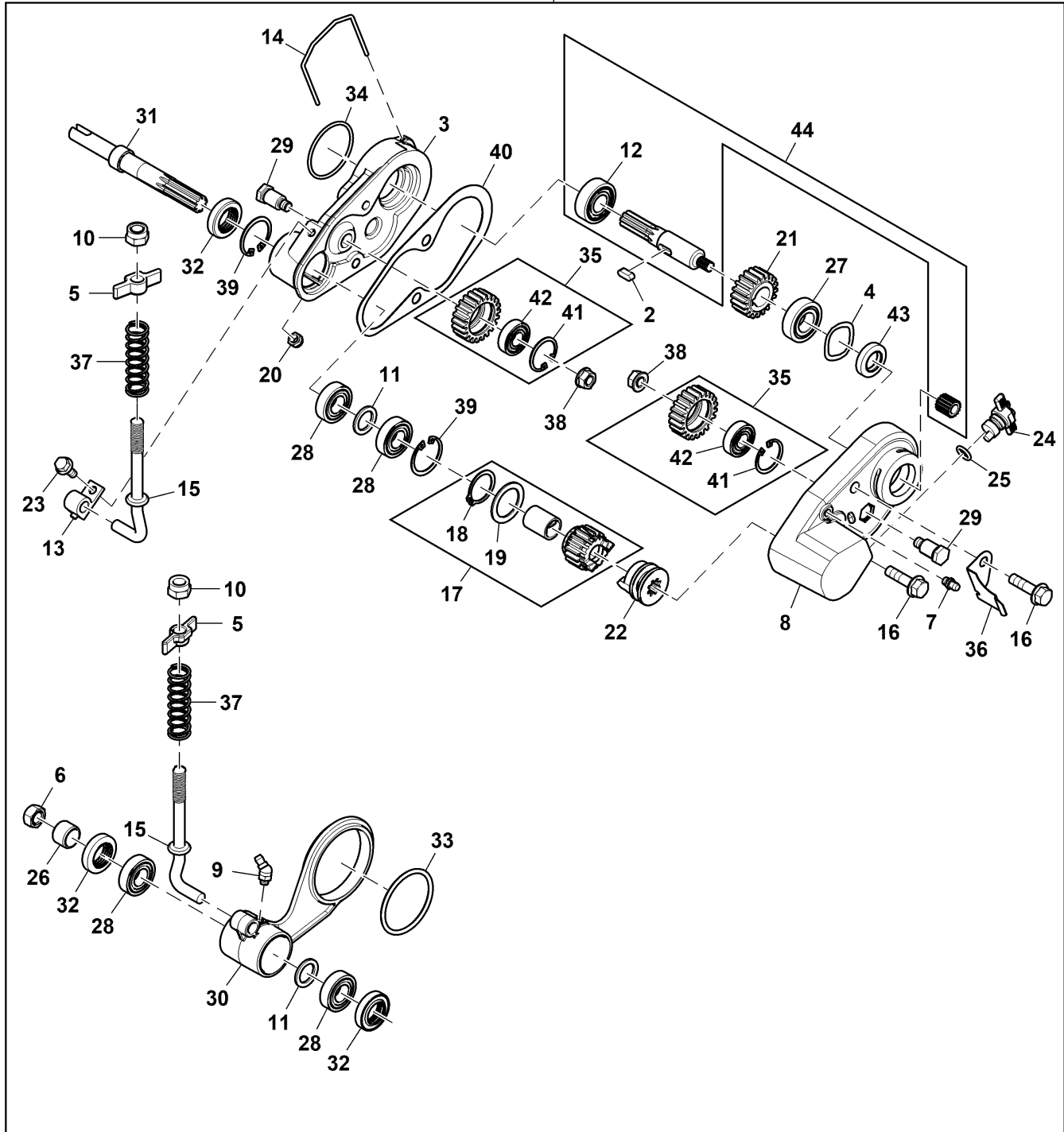
PU39114

Fairway Tender Conditioners Or Greens Tender Conditioners Gear Drive Kit, QA5  
 Fairway Tender Conditioners Or Greens Tender Conditioners Gear Drive Kit, QA5  
 Fairway Tender Conditioners Or Greens Tender Conditioners Gear Drive Kit, QA5  
 Fairway Tender Conditioners Or Greens Tender Conditioners Gear Drive Kit, QA5  
 Fairway Tender Conditioners Or Greens Tender Conditioners Gear Drive Kit, QA5  
 Fairway Tender Conditioners Or Greens Tender Conditioners Gear Drive Kit, QA5



TC382250 A.1

1



TC382250

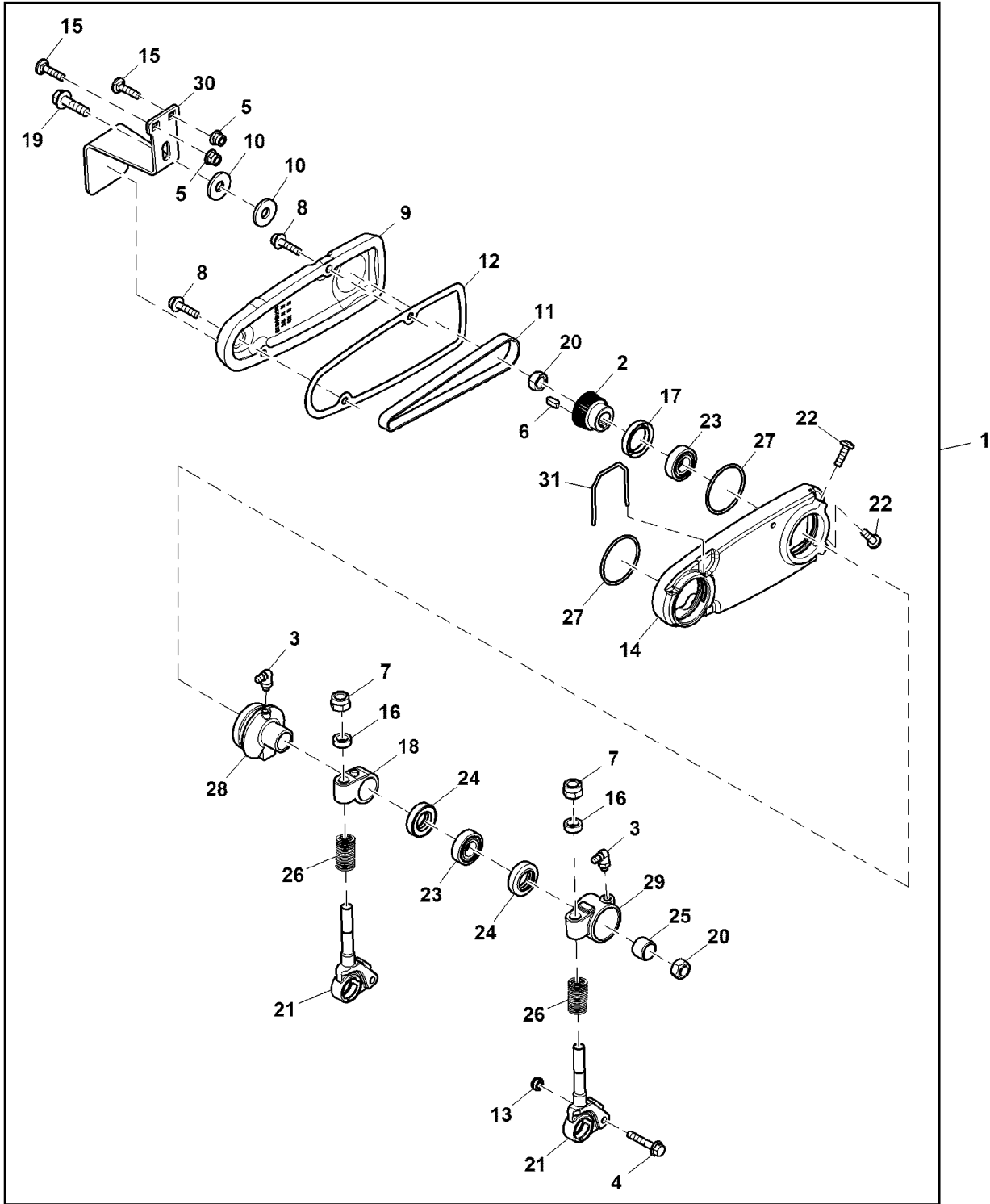
120 Conditioner Drive Kits and Rear Brush

Key	Part No.	Part Name	Qty.	Serial No.	Remarks
1	BTC10760	Drive Kit	1		
2	49M7047	Shaft Key	1		5 X 5 X 14 mm
3	TCU24174	Housing	1		Inner
4	TCU18109	Spring Washer	1		
5	UC16113	Cam	2		SUB FOR TCU24707
6	A51212	Lock Nut	1		
7	JD7844	Lubrication Fitting	1		
8	TCU24173	Housing	1		Outer
9	JD7846	Lubrication Fitting	1		
10	14M7517	Lock Nut	2		M10
11	24M3527	Washer	2		17 X 24 X 2 mm
12	M802355	Bearing	1		
13	UC25678	Bracket	1		Conditioner, SUB FOR TCU25086
14	TCU24282	Clip	1		
15	TCU25085	Hook Bolt	2		
16	19M7868	Screw	2		M8 X 30
17	TCA16576	Gear	1		SUB FOR AMT2698
18	40M7195	Snap Ring	1		
19	MT6833	Washer	1		
20	14M7165	Lock Nut	1		M6
21	MT7370	Pinion	1		Z = 20
22	MT6821	Shift Collar	1		Inner
23	19M7775	Screw	1		M6 X 16
24	UC16129	Eccentric	1		SUB FOR TCU25083, Lever
25	F3353R	O-Ring	1		
26	TCU38554	Spacer	1		
27	JD8653	Ball Bearing	1		
28	UC14112	Ball Bearing	4		
29	TCU13001	Bolt	2		
30	TCU24171	Housing	1		Idler
31	TCU38483	Shaft	1		Z = 8
32	UC14089	Seal	3		
33	P50631	O-Ring	1		
34	L29371	O-Ring	1		
35	TCA16577	Idler Gear	2		Z = 22
36	TCU25084	Bracket	1		Engagement
37	Y3082BN	Compression Spring	2		
38	TCU14151	Nut	2		
39	40M1856	Snap Ring	2		
40	TCU39067	Gasket	1		Conditioner Drive
41	40M7085	Snap Ring	2		
42	ET16027	Ball Bearing	2		
43	MT2622	Seal	1		Shaft
44	AMT3022	Drive Shaft	1		

Rear Roller Power Brush Drive Kit, QA5  
 Rear Roller Power Brush Drive Kit, QA5  
 Rear Roller Power Brush Drive Kit, QA5  
 Rear Roller Power Brush Drive Kit, QA5  
 Rear Roller Power Brush Drive Kit, QA5  
 Rear Roller Power Brush Drive Kit, QA5



PU39105 A.1



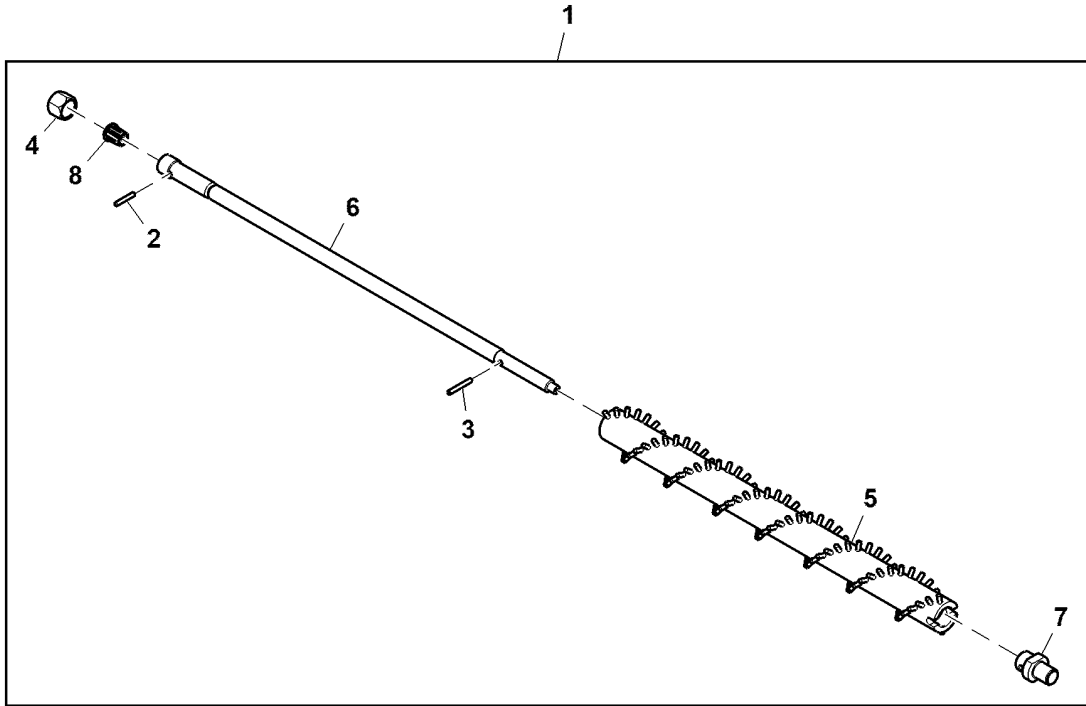
PU39105

Key	Part No.	Part Name	Qty.	Serial No.	Remarks
1	BTC10767	Drive Kit	1		
2	TCU24672	Idler Sprocket	1		
3	ET17123	Lubrication Fitting	2		
4	19M7833	Screw	1		M6 X 35
5	14M7397	Lock Nut	2		M6
6	49M7047	Shaft Key	1		5 X 5 X 14 mm
7	14M7517	Lock Nut	2		M10
8	19M7863	Screw	2		M6 X 25
9	TCU24573	Transmission Case	1		
10	24H1309	Washer	2		13/32" X 1-1/16" X 0.120"
11	TCU32422	Synchronous Belt	1		LGTH = 375 mm, WIDTH = 11 mm
12	TCU24856	Gasket	1		Power Brush Drive Case Seal
13	14M7165	Lock Nut	1		M6
14	TCU24572	Transmission Case	1		
15	03M7232	Bolt	2		M6 X 25
16	M76615	Washer	2		
17	TCU24983	Seal	1		
18	TCU24586	Bracket	1		Support
19	19M7868	Screw	1		M8 X 30
20	A51212	Lock Nut	2		
21	TCU24826	Bracket	2		Drive Side
22	21M7296	Screw	2		
23	UC14112	Ball Bearing	2		M6 X 20
24	UC14089	Seal	2		
25	TCU38554	Spacer	1		
26	TCU40325	Compression Spring	2		
27	L29371	O-Ring	2		
28	TCU39730	Bearing Housing W/O Bearing	1		
29	TCU38714	Bearing Housing W/O Bearing	1		
30	UC15240	Support	1		
31	TCU24780	Groove Pin	1		

Front Rotary Turf Brush Kit, QA5, 22 inch  
 Front Rotary Turf Brush Kit, QA5, 22 inch  
 Front Rotary Turf Brush Kit, QA5, 22 inch  
 Front Rotary Turf Brush Kit, QA5, 22 inch  
 Front Rotary Turf Brush Kit, QA5, 22 inch  
 Front Rotary Turf Brush Kit, QA5, 22 inch



PU38665 A.1



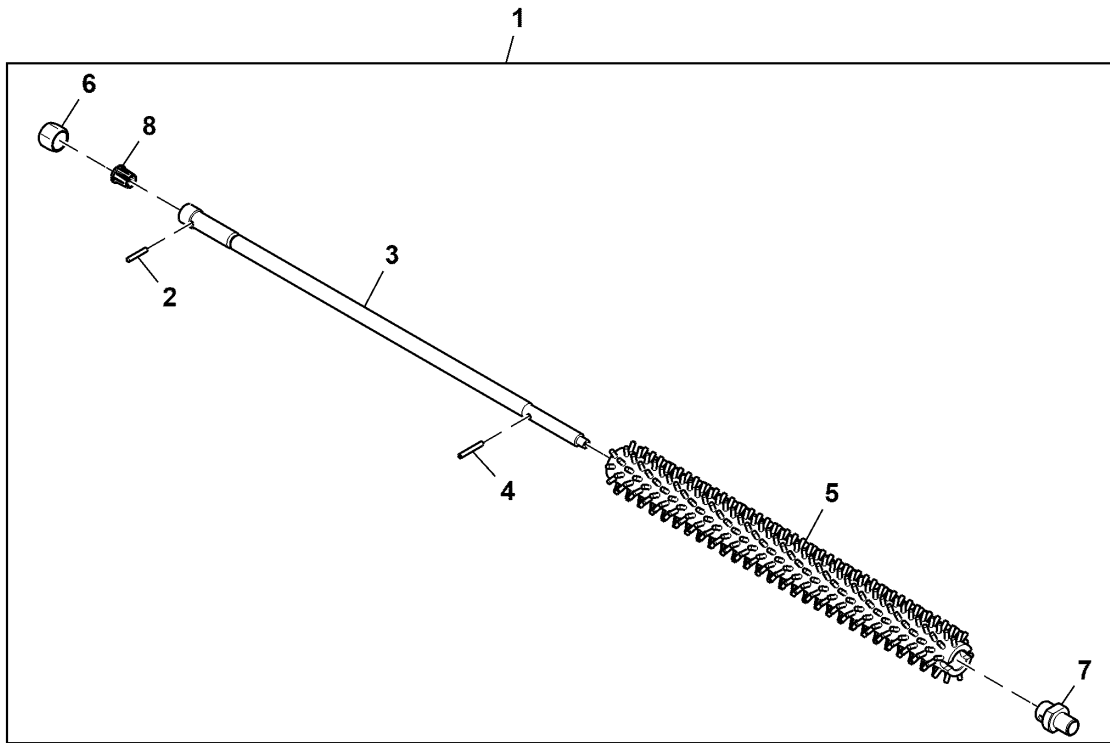
PU38665

Key	Part No.	Part Name	Qty.	Serial No.	Remarks
1	BTC10773	Brush Kit	1		
2	TCU25027	Pin	1		
3	34M7214	Spring Pin	1		5 X 35 mm
4	TCU24919	Tube Nut	1		
5	UC14646	Brush	1		
6	AUC12445	Shaft	1		
7	UC14643	Sleeve	1		
8	TCU38438	Bushing	1		SUB FOR TCU24920, Collet

Front Rotary Dense Brush Kit, QA5, 22 inch  
 Front Rotary Dense Brush Kit, QA5, 22 inch  
 Front Rotary Dense Brush Kit, QA5, 22 inch  
 Front Rotary Dense Brush Kit, QA5, 22 inch  
 Front Rotary Dense Brush Kit, QA5, 22 inch  
 Front Rotary Dense Brush Kit, QA5, 22 inch



PU39344 A.1



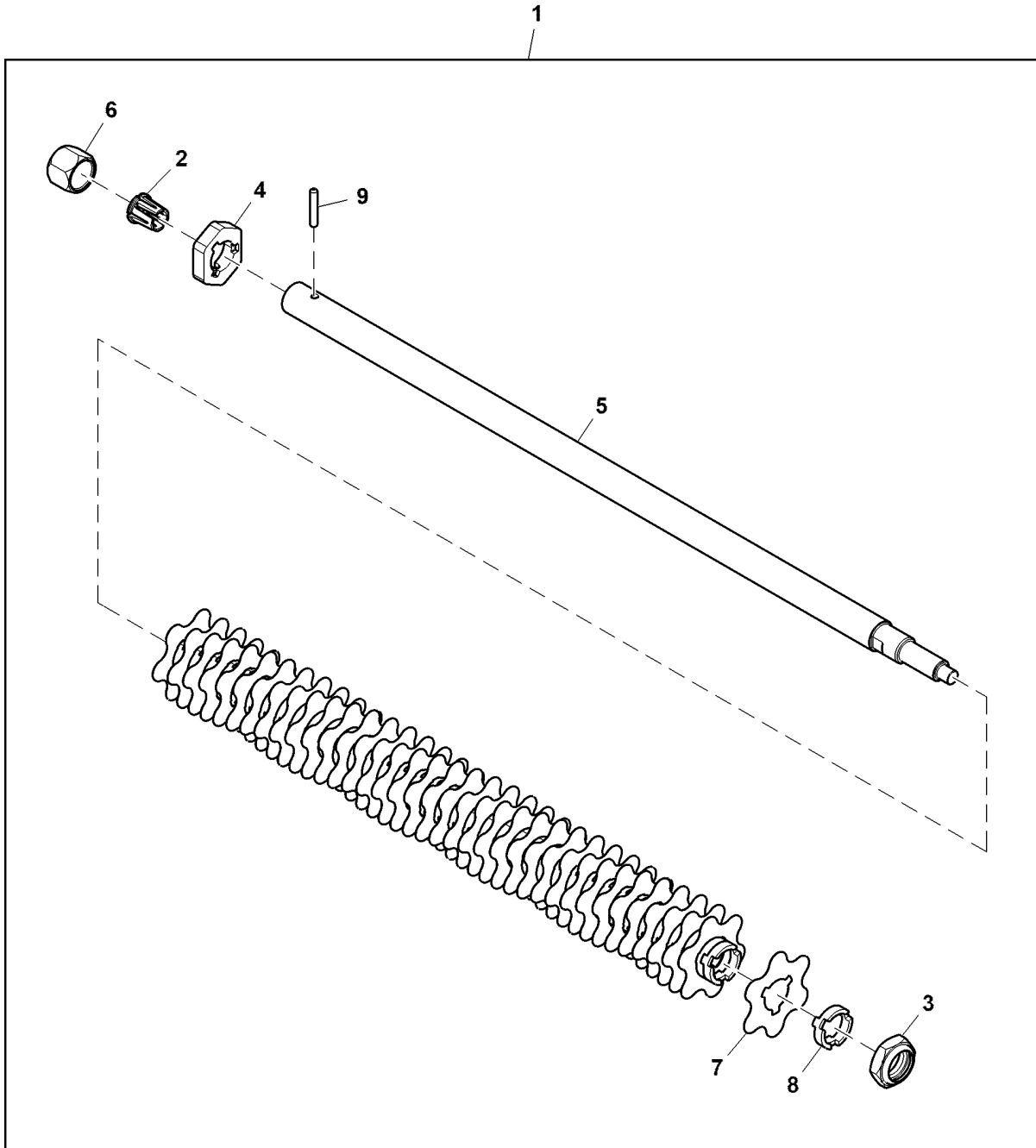
PU39344

Key	Part No.	Part Name	Qty.	Serial No.	Remarks
1	BTC10775	Brush Kit	1		
2	TCU25027	Pin	1		
3	AUC12445	Shaft	1		
4	34M7214	Spring Pin	1		5 X 35 mm
5	UC14649	Brush	1		
6	TCU24919	Tube Nut	1		
7	UC14643	Sleeve	1		
8	TCU38438	Bushing	1		Collet, SUB FOR TCU24920

Fairway Tender Conditioner Shaft Kit, QA5, 22 inch  
Fairway Tender Conditioner Shaft Kit, QA5, 22 inch  
Fairway Tender Conditioner Shaft Kit, QA5, 22 inch  
Fairway Tender Conditioner Shaft Kit, QA5, 22 inch  
Fairway Tender Conditioner Shaft Kit, QA5, 22 inch  
Fairway Tender Conditioner Shaft Kit, QA5, 22 inch



PU38667 A.1



PU38667



---

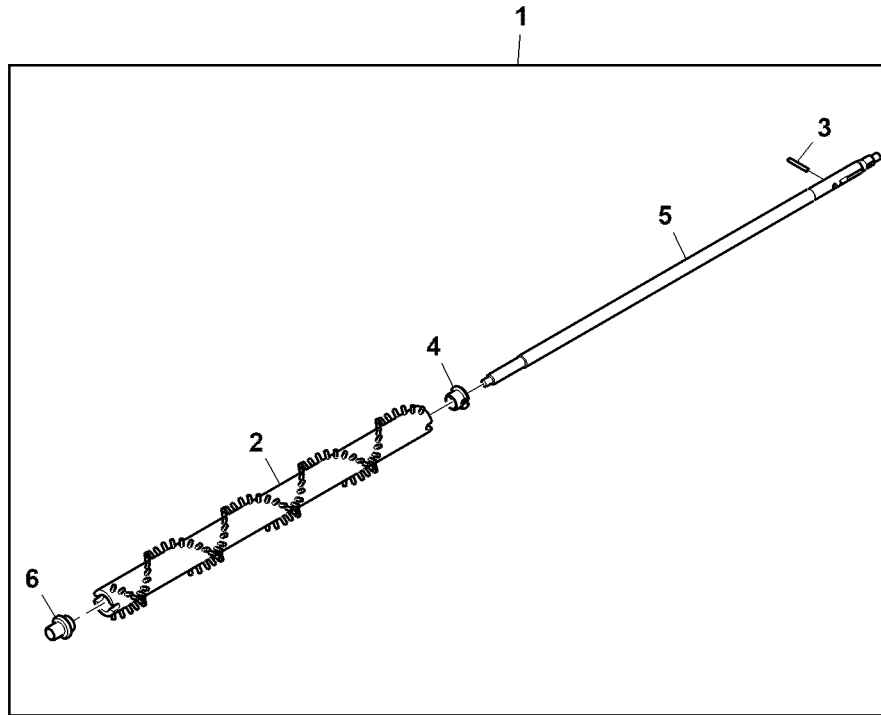
<i>Key</i>	<i>Part No.</i>	<i>Part Name</i>	<i>Qty.</i>	<i>Serial No.</i>	<i>Remarks</i>
1	BTC10779	Shaft Kit	1		
2	TCU38438	Bushing	1		
3	UC18068	Lock Nut	1		
4	TCU24666	Shaft	1		Retainer
5	TCU38484	Shaft	1		
6	TCU24919	Tube Nut	1		
7	MT2624	Knife	38		
8	MT7280	Spacer	75		
9	TCU25027	Pin	1		

---

Rear Roller Power Brush Kit, QA5, 22 inch  
 Rear Roller Power Brush Kit, QA5, 22 inch  
 Rear Roller Power Brush Kit, QA5, 22 inch  
 Rear Roller Power Brush Kit, QA5, 22 inch  
 Rear Roller Power Brush Kit, QA5, 22 inch  
 Rear Roller Power Brush Kit, QA5, 22 inch



PU38664 A.1



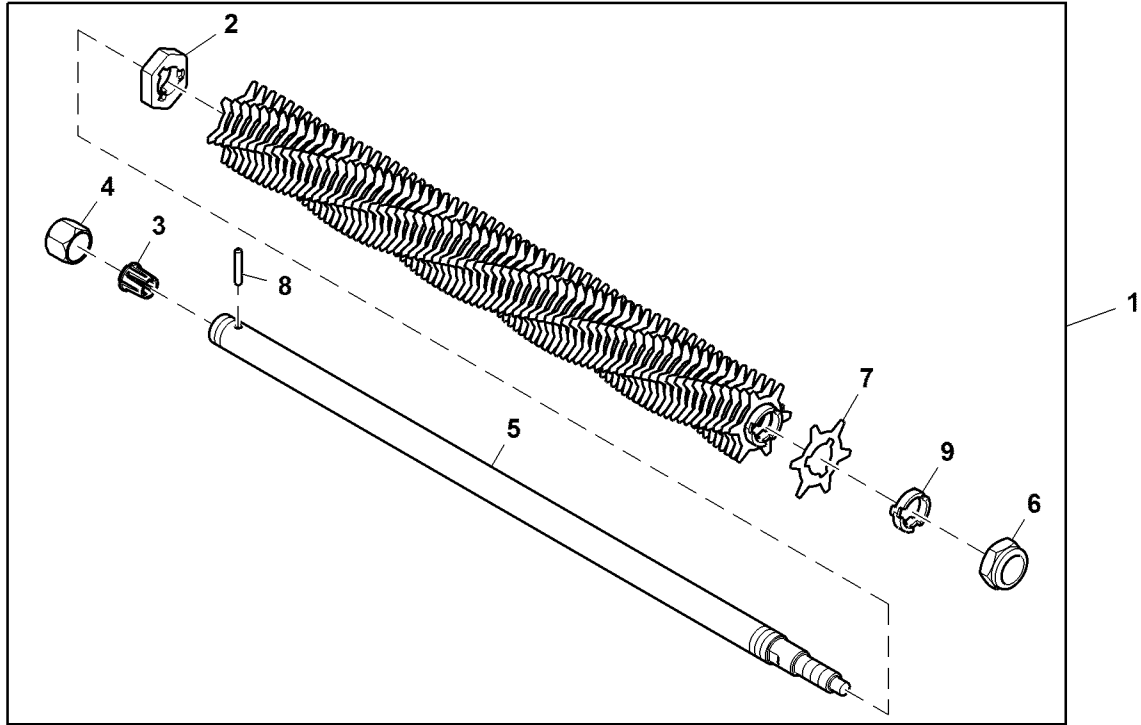
PU38664

Key	Part No.	Part Name	Qty.	Serial No.	Remarks
1	BTC10834	Brush Kit	1		
2	TCU38853	Brush	1		
3	34M7214	Spring Pin	1		5 X 35 mm
4	TCU38868	Sleeve	1		Brush Drive
5	TCU38851	Shaft	1		
6	TCU38869	Sleeve	1		Brush Retainer

Greens Tender Conditioner Shaft Kit, QA5, 22 inch  
 Greens Tender Conditioner Shaft Kit, QA5, 22 inch  
 Greens Tender Conditioner Shaft Kit, QA5, 22 inch  
 Greens Tender Conditioner Shaft Kit, QA5, 22 inch  
 Greens Tender Conditioner Shaft Kit, QA5, 22 inch  
 Greens Tender Conditioner Shaft Kit, QA5, 22 inch



PU27526 A.1



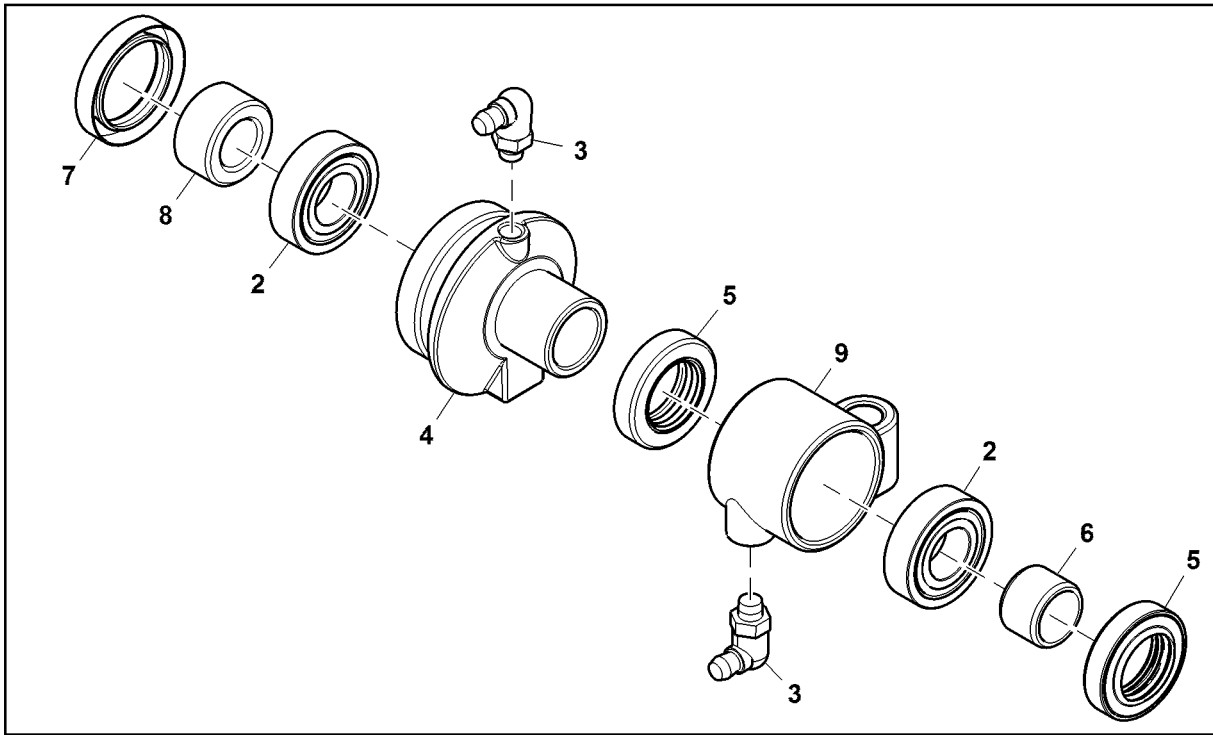
PU27526

Key	Part No.	Part Name	Qty.	Serial No.	Remarks
1	BTC10778	Shaft Kit	1		
2	TCU24666	Retainer	1		
3	TCU38438	Bushing	1		
4	TCU24919	Tube Nut	1		
5	TCU38484	Shaft	1		
6	UC18068	Lock Nut	1		
7	ET14707	Knife	72		
8	TCU25027	Pin	1		
9	MT7280	Spacer	72		

Rear Roller Brush Drive Repair Kit  
 Rear Roller Brush Drive Repair Kit  
 Rear Roller Brush Drive Repair Kit  
 Rear Roller Brush Drive Repair Kit  
 Rear Roller Brush Drive Repair Kit  
 Rear Roller Brush Drive Repair Kit



PU34911 A.1



PU34911

Key	Part No.	Part Name	Qty.	Serial No.	Remarks
1	BUC10268	Drive Kit	1		
2	UC14112	Ball Bearing	2		
3	ET17123	Lubrication Fitting	2		
4	TCU39730	Bearing Housing W/O Bearing	1		
5	UC14089	Seal	2		Grease Triple Lip
6	TCU38554	Spacer	1		
7	TCU24983	Seal	1		Dual Lip
8	TCU25593	Bushing	1		
9	TCU38714	Bearing Housing W/O Bearing	1		

## Numerical Index

Part No.	Key	Page	Part No.	Key	Page	Part No.	Key	Page
168PHB-40010	1	128	AMT3022	2	285	AUC10961	8	171
168PHB-40031	1	128	AMT3022	44	291	AUC10967	25	213
32246	15	231	AMT500	2	244	AUC10968	15	179
3TNV74F-NDJGM	1	56	AMT500	3	247	AUC10973	3	163
400R	5	63	AMT523	8	83	AUC10992	1	101
400R	11	93	AR21839	13	103	AUC10994	18	101
68PHB-40031	1	128	AR21839	17	145	AUC11022	27	115
A12188	2	225	AR21839	20	167	AUC11047	3	177
A22836	17	171	AR51481	18	205	AUC11131	5	135
A45904	5	225	AR51481	9	229	AUC11173	9	151
A49787	8	115	AR62149	16	197	AUC11396	8	167
A51212	6	291	AT103399	18	109	AUC11468	7	103
A51212	20	293	AT110817	35	97	AUC11544	7	217
A94703	43	123	AT121321	19	145	AUC11774	1	186
A94703	6	229	AT224862	15	169	AUC11776	1	186
AE71183	20	217	AT224862	16	169	AUC11777	1	186
AE71183	28	217	AT224862	18	169	AUC11778	1	186
AE71183	29	217	AT224862	19	169	AUC11779	1	186
AE73079	20	217	AT224862	20	169	AUC11780	1	186
AE73079	29	217	AT25983	19	101	AUC11781	1	186
AET10449	5	185	AT263424	33	103	AUC12123	12	217
AET10632	9	243	AT318410	32	111	AUC12124	5	219
AET10632	10	255	AT318410	3	215	AUC12295	16	145
AH209116	17	169	AT320523	11	231	AUC12369	5	153
AH209116	23	169	AT333812	17	169	AUC12371	7	153
AH211224	17	169	AT333812	18	169	AUC12386	4	198
AH225363	8	235	AT333812	22	169	AUC12386	4	201
AH227761	2	171	AT340063	20	217	AUC12445	6	294
AH228044	16	169	AT340063	30	217	AUC12445	3	295
AH228044	21	169	AT365410	1	186	AUC12469	7	147
AH77724	22	115	AT365411	1	186	AUC12474	1	109
AH78237	16	91	AT365412	1	186	AUC12474	1	111
AH89557	14	145	AT365415	1	186	AUC12474	1	113
AH96317	4	123	AT365421	1	186	AUC12498	23	119
AH98118	6	171	AT368499	10	109	AUC12499	5	119
AKK11201	25	213	AT368499	14	111	AUC12625	10	103
AKK11201	27	213	AT381999	18	169	AUC12632	2	125
AL202151	2	185	AT409249	6	167	AUC12681	21	179
AM100752	18	93	AUC10120	1	169	AUC12725	40	123
AM100800	16	79	AUC10120	13	169	AUC12737	6	101
AM102062	20	123	AUC10120	4	169	AUC12824	27	171
AM102420	9	169	AUC10120	5	169	AUC12838	34	197
AM102487	14	231	AUC10120	6	169	AUC12955	35	181
AM102723	10	231	AUC10515	1	117	AUC12955	35	181
AM102726	50	197	AUC10516	13	117	AUC13021	13	153
AM103001	1A	181	AUC10518	39	115	AUC13324	8	133
AM108172	9	101	AUC10519	31	115	AUC13512	18	275
AM117324	13	179	AUC10519	31	115	AUC13512	18	279
AM131182	2	217	AUC10533	1	129	AUC13512	36	281
AM135650	4	262	AUC10534	1	155	AUC13598	57	283
AM135650	3	264	AUC10534	9	155	AUC13658	3	219
AM137075	1B	181	AUC10553	1	177	AUC13769	9	171
AM137076	36B	181	AUC10641	28	171	AUC13891	6	279
AM138384	8	103	AUC10642	23	171	AUC13891	6	279
AM147738	13	197	AUC10643	32	171	AUC13891	40	281
AM30795	2	187	AUC10748	8	225	AUC13891	60	283
AM30795	2	188	AUC10749	12	225	AUC13999	3	187
AM30795	3	191	AUC10807	36	123	AUC13999	3	188
AM30795	3	193	AUC10808	37	123	AUC13999	2	191
AM31268	4	101	AUC10819	1	128	AUC13999	2	193
AM876266	24	87	AUC10819	3	133	AUC14033	3	219
AM879144	1	125	AUC10819	20	141	AUC14033	4	219
AM879145	16	125	AUC10819	21	141	AUC14126	1	56
AM880340	5	125	AUC10819	22	141	AUC14126	45	97
AM881809	9	73	AUC10819	23	141	AUC14194	11	165
AM882245	8	93	AUC10819	5	141	AUC14194	63	197
AM882418	13	59	AUC10819	9	141	AUC14295	17	183
AM882419	14	59	AUC10819	9	141	AUC14348	22	217
AM882423	4	68	AUC10913	22	171	AUC14676	5	183
AM882435	16	75	AUC10913	39	171	AUC14818	13	145
AM882445	10	75	AUC10914	1	161	AUC14818	13	145
AM882461	7	67	AUC10915	15	213	AUC15305	38	171
AM882469	23	75	AUC10916	16	213	AUC15305	9	171
AMT1061	1	240	AUC10918	16	231	AUC15306	9	171
AMT1286	1	243	AUC10918	16	231	AUC15307	8	165
AMT1443	1	241	AUC10920	12	145	AUC15308	4	165
AMT2018	9	231	AUC10921	1	163	AUC15308	4	165
AMT2477	1	192	AUC10922	1	163	AUC15309	5	165
AMT2698	17	291	AUC10923	2	163	AUC15583	1	186
AMT2704	19	283	AUC10925	10	145	AUC15677	15	169
AMT2877	1	240	AUC10926	16A	161	AUC15678	16	169
AMT2879	1	241	AUC10927	13A	161	AUC15753	60	181
AMT2967	1	255	AUC10928	14	213	AUC15758	22	171
AMT2978	1	214	AUC10931	12	213	AUC15758	39	171
			AUC10931	12	213	AUC15758	39	171
			AUC10953	1	103	AUC15777	14	101
			AUC10955	2	161	AUC15785	10	147
			AUC10958	2	181	AUC15805	19	179
			AUC10960	5	181			

## Numerical Index - Continued

Part No.	Key	Page	Part No.	Key	Page	Part No.	Key	Page
AUC15808	12	87	AXE25429	25	213	CH10554	22	80
AUC15810	18	87	AXE25429	29	213	CH10568	30	145
AUC15960	20	217	AXE27435	25	213	CH11477	22	95
AUC15960	31	217	AXE27435	28	213	CH11486	7	60
AUC15961	20	217	AXE42040	1	186	CH11487	6	139
AUC15961	32	217	AZ50831	30	83	CH11490	4	97
AUC15976	2	137	BE23416	1	249	CH11550	5	139
AUC15977	1	137	BM18480	1	253	CH11560	20	137
AUC15978	1	141	BM18480	17	283	CH11563	21	137
AUC15978	5	143	BM18481	1	240	CH12404	16	133
AUC15991	2	141	BM18711	1	252	CH12404	11	141
AUC15991	2	143	BM18712	1	241	CH12404	11	143
AUC16148	1	147	BM19748	1	187	CH12405	7	137
AUC16149	2	147	BM19749	1	188	CH13497	8	97
AUC16440	25	87	BM19817	1	257	CH13814	15	79
AUC16705	4	151	BM19945	1	288	CH13814	15	80
AUC17177	37	123	BM22704	1	284	CH13992	4	129
AUC17178	36	123	BM22705	1	285	CH14811	15	95
AUC17205	20	109	BM22762	1	286	CH15396	12	95
AUC17205	23	109	BM22995	1	269	CH15516	17	79
AUC17235	8	177	BM23002	1	267	CH15987	6	125
AUC17236	39	181	BM23080	1	287	CH15996	3	125
AUC17236	69	181	BM23566	1	251	CH16843	11	73
AUC17237	15	179	BM24202	1	248	CH16888	5	88
AUC17237	16	179	BM25317	1	247	CH16901	17	137
AUC17239	5	183	BM26408	1	244	CH16903	18	137
AUC17342	25	213	BTC10267	1	250	CH16940	1	75
AUC17342	30	213	BTC10757	1	185	CH16940	17	80
AUC17396	5	153	BTC10760	1	291	CH17101	3	79
AUC17593	9	235	BTC10767	1	293	CH17154	15	141
AUC17593	10	237	BTC10773	1	294	CH17154	15	143
AUC17627	1	109	BTC10775	1	295	CH17861	9	139
AUC17627	1	111	BTC10778	1	299	CH17960	16	93
AUC17627	32	111	BTC10779	1	297	CH18079	3	59
AUC17627	1	113	BTC10834	1	298	CH18306	16	137
AUC17655	12	87	BTC11025	1	225	CH19099	10	79
AUC17657	18	87	BTC11026	1	213	CH19111	5	133
AUC17668	9	151	BUC10089	1	264	CH19111	19	137
AUC17756	5	181	BUC10090	1	262	CH19140	47	97
AUC17761	1	128	BUC10091	1	263	CH19780	4	71
AUC17761	3	133	BUC10100	1	198	CH19994	39	97
AUC17952	13A	161	BUC10112	1	258	DC201209	10	169
AUC17952	16A	161	BUC10113	1	259	DE19757	19	169
AUC17952	16B	161	BUC10123	1	217	DMA210218	10	213
AUC17954	13A	161	BUC10219	1	186	E14625	11	225
AUC17954	13B	161	BUC10268	1	300	E14814	19	273
AUC17954	16A	161	BUC10283	1	232	E14814	19	277
AUC18103	19	161	BUC10414	1	273	E14814	17	281
AUC18147	1	56	BUC10414	1	275	E14814	20	283
AUC18147	45	97	BUC10415	1	277	E4245E	5	171
AUC18578	2	161	BUC10415	1	279	E62934	6	123
AUC18579	15	213	BUC10416	1	281	E63525	19	115
AUC18580	16	213	BUC10417	1	283	E64256	9	91
AUC18708	19	179	BUC10430	1	219	E73003	36	171
AUC19004	1	128	BUC10540	1	220	ET11066	9	275
AUC19004	3	133	BUC10541	1	223	ET11066	9	279
AUC19273	1	155	BUC10583	1	224	ET11066	42	281
AUC19833	1	169	BUC10616	1	227	ET14356	16	141
AUC19833	13	169	BUC10620	1	193	ET14356	16	143
AUC19833	4	169	BUC10621	1	191	ET14566	16	273
AUC19833	5	169	BUC10786	3	260	ET14566	16	277
AUC19833	6	169	BUC10991	1	235	ET14566	18	281
AUC19834	3	163	BUC11158	1	213	ET14566	53	283
AUC19835	1	163	BUC11201	1	198	ET14707	7	299
AUC19836	2	163	BUC11201	1	201	ET15726	2	243
AUC19861	27	171	BUC11201	1	263	ET15726	3	244
AUC19862	23	171	BUC11255	1	273	ET15726	4	247
AUC19863	32	171	BUC11255	1	275	ET15726	2	255
AUC19864	28	171	BUC11308	1	231	ET15726	2	257
AUC20070	13B	161	BUC11329	1	264	ET15755	3	243
AUC20071	16B	161	BUC11330	1	262	ET15755	4	244
AUC20072	1	161	BUC11399	1	237	ET15755	5	247
AUC20083	13	145	BUC11591	1	217	ET15755	3	255
AUC20084	10	145	BUC11595	1	213	ET15755	3	257
AUC20085	12	145	CH10061	18	67	ET16027	42	291
AUC20270	22	179	CH10082	3	88	ET16679	22	273
AUC20394	14	213	CH10084	2	88	ET16679	22	277
AUC20395	12	213	CH10106	9	88	ET16679	19	281
AUC20405	7	153	CH10314	10	59	ET16679	21	283
AUC20406	13	153	CH10323	12	93	ET17053	37	283
AUC20563	1	177	CH10335	12	59	ET17123	3	293
AUC21127	1	128	CH10537	9	97	ET17123	3	300
AUC22525	3	163	CH10554	18	79	ET17515	4	243

## Numerical Index - Continued

Part No.	Key	Page	Part No.	Key	Page	Part No.	Key	Page
ET17515	5	244	JD8653	1	119	M175325	3	103
ET17515	6	247	JD8653	4	285	M175325	14	87
ET17515	4	255	JD8653	27	291	M175325	15	87
ET17515	4	257	JD8933	9	225	M175325	19	87
ET17532	9	275	JD9449	23	123	M175325	2	87
ET17533	9	275	KV14594	16	151	M175325	3	87
ET17534	9	275	KV14594	37	181	M175325	4	87
ET17713	39	283	L151020	33	171	M176636	10	153
ET17757	6	267	L203088	4	153	M177549	9	103
ET17767	9	275	L213934	51	181	M43835	8	109
ET17767	9	279	L213934	23	183	M45242	25	171
ET17767	42	281	L218822	56	181	M70145	3	121
ET17914	22	283	L219002	21	167	M70153	2	121
F122159	9	163	L29371	34	291	M70304	4	121
F3171R	29	83	L29371	27	293	M72232	33	197
F3353R	25	291	LVA13307	18	115	M72685	6	179
F432009	11	119	LVA15613	20	111	M76615	16	293
FH330270	11	165	LVA18343	12	181	M79150	40	181
GX21569	4	119	LVA18519	10	87	M79150	52	197
H110730	9	181	LVA23231	19	181	M800006	8	75
H112162	11	161	LVA802622	3	139	M800052	7	97
H137328	28	273	LVA802623	4	139	M800065	15	75
H137328	28	277	LVA802630	10	139	M800077	14	77
H137328	20	281	LVU14258	3	135	M800087	1	79
H137328	23	283	LVU14258	25	231	M800100	3	67
H143834	5	177	LVU14258	9	231	M800112	5	121
H77698	16	115	LVU15947	8	181	M800116	8	125
H77698	19	117	LVU16647	24	103	M800119	4	125
H77698	23	217	LVU17025	7	223	M800312	14	79
H77698	16	235	LVU24889	17	181	M800495	18	95
H77698	6	237	LVU24890	15	181	M800658	12	141
H77698	20	87	LVU24891	16	181	M800658	12	143
H77698	17	91	LVU24911	22	181	M80084	7	198
HXE33527	19	229	LVU24918	26	181	M80084	7	201
HXE66155	9	133	LVU25016	11	181	M800970	7	59
HXE71867	8	262	LVU25021	25	181	M800997	11	79
HXE71867	7	264	LVU25399	28	181	M801027	6	68
JD22	3	155	LVU25401	14	181	M801028	5	68
JD22	9	213	LVU25407	20	181	M801108	14	93
JD5720	15	151	LVU25738	24	181	M801315	10	95
JD7759	10	244	LVU34473	15	101	M801335	22	97
JD7759	2	247	LVU34503	7	101	M801336	29	97
JD7759	11	255	LVU34504	8	101	M801762	20	79
JD7759	9	257	LVU34797	10	101	M801941	4	77
JD7842	2	240	LVU800940	8	137	M802255	2	63
JD7842	2	241	LVU800940	6	141	M802255	1	77
JD7842	2	249	LVU800940	6	143	M802355	3	285
JD7842	2	250	LVU801572	15	133	M802355	12	291
JD7842	3	251	LVU804152	21	143	M802636	8	88
JD7842	3	252	M110159	14	179	M802715	11	103
JD7842	2	260	M110999	15	83	M803523	13	141
JD7844	21	123	M112535	55	197	M803523	13	143
JD7844	6	177	M117429	2	192	M803523	10	73
JD7844	3	248	M119816	3	137	M803523	19	80
JD7844	3	253	M120206	9	115	M804151	18	141
JD7844	9	273	M127370	59	181	M804151	18	143
JD7844	9	277	M131476	20	183	M805710	12	67
JD7844	21	281	M132021	7	169	M805710	20	75
JD7844	24	283	M132022	8	169	M806418	3	73
JD7844	7	291	M132031	20	231	M806438	20	80
JD7846	46	281	M132032	21	231	M806438	9	93
JD7846	9	291	M135512	7	109	M806438	41	97
JD8187	7	171	M135512	35	115	M806737	24	75
JD8188	5	243	M135512	5	117	M806745	17	93
JD8188	6	244	M135582	4	225	M806938	21	75
JD8188	7	247	M136173	23	181	M807193	19	95
JD8188	5	255	M141153	13	91	M807207	23	97
JD8188	5	257	M142218	1	151	M807310	10	125
JD8188	15	273	M142219	2	151	M807374	6	67
JD8188	15	277	M144350	5	151	M808645	5	98
JD8188	22	281	M147475	18	183	M808706	8	71
JD8188	25	283	M148268	25	273	M808973	2	83
JD8225	2	177	M148268	25	277	M809202	3	71
JD8226	6	243	M148268	24	281	M809204	2	75
JD8226	7	244	M148268	27	283	M809204	11	80
JD8226	8	247	M148645	6	103	M809526	7	73
JD8226	6	255	M151706	54	181	M809593	5	59
JD8226	6	257	M158597	10	209	M809670	13	95
JD8226	14	273	M162957	12	183	M809987	11	125
JD8226	14	277	M166830	45	115	M810006	16	97
JD8226	23	281	M166830	1	215	M810061	37	97
JD8226	26	283	M167119	4	115	M810064	4	95
JD8253	10	225	M173256	11	87	M810065	5	95

## Numerical Index - Continued

<i>Part No.</i>	<i>Key</i>	<i>Page</i>	<i>Part No.</i>	<i>Key</i>	<i>Page</i>	<i>Part No.</i>	<i>Key</i>	<i>Page</i>
M810594	5	97	M87801	11	59	MIA885850	1	133
M811046	10	67	M87810	5	65	MIA885850	18	133
M811061	11	75	M87812	4	63	MIU13472	2	155
M811140	25	75	M87812	4	65	MIU800002	13	125
M811287	12	79	M87813	1	65	MIU800048	4	79
M811318	3	98	M87818	3	68	MIU800110	40	97
M811345	2	79	M87843	17	95	MIU800255	1	98
M811547	12	125	M87851	14	141	MIU800290	6	77
M811563	22	75	M87851	14	143	MIU800298	8	68
M811567	41	97	M87869	11	77	MIU800300	15	67
M811568	9	77	M87871	11	65	MIU800300	3	80
M811568	21	80	M87878	12	77	MIU800301	4	67
M811568	9	95	M87878	36	97	MIU800302	5	67
M811649	8	67	M87879	8	59	MIU800302	4	80
M811650	9	67	M87887	7	63	MIU800305	15	71
M811804	9	71	M87893	9	68	MIU800308	2	65
M811805	9	59	M87908	7	93	MIU800322	9	79
M811806	1	93	M88102	31	123	MIU800322	14	80
M811807	4	59	M89120	14	75	MIU800326	44	97
M811808	7	71	M89135	5	71	MIU800364	24	95
M811809	10	80	M89135	8	80	MIU800453	13	93
M811809	7	98	M89143	13	73	MIU800461	20	71
M811816	7	75	M89151	14	95	MIU800572	6	59
M811820	5	75	M89151	3	97	MIU800598	8	65
M811823	9	75	M89159	10	97	MIU800612	1	121
M811835	16	67	M89161	21	97	MIU800613	21	79
M811836	17	67	M89162	15	97	MIU800615	8	63
M811842	12	71	M91252	42	197	MIU800619	2	95
M811844	10	71	M96706	8	155	MIU800815	28	97
M811846	2	68	M96854	4	137	MIU801295	12	91
M811850	13	71	MCYP25876	43	115	MIU801479	12	73
M811850	5	80	MIA880278	7	68	MIU801493	26	97
M811851	14	71	MIA880279	1	67	MIU801499	9	63
M811851	6	80	MIA880293	5	93	MIU801500	8	95
M811857	9	80	MIA880297	5	73	MIU801501	14	97
M811857	2	98	MIA880523	8	77	MIU801676	1	73
M811864	3	63	MIA880536	3	65	MIU802138	12	83
M811869	8	60	MIA880551	13	59	MIU802236	6	79
M811877	2	60	MIA880557	14	59	MIU802290	21	71
M811882	10	65	MIA880560	3	60	MIU802291	19	71
M811884	9	65	MIA880565	3	60	MIU802457	1	71
M811885	3	75	MIA880570	7	65	MIU802525	16	95
M811885	12	80	MIA880575	6	63	MIU802531	17	71
M811886	4	73	MIA881295	..	91	MIU802532	16	71
M811886	13	80	MIA881295	1	91	MIU802535	10	63
M811888	18	75	MIA881493	25	97	MIU802947	4	98
M811889	17	75	MIA882277	2	59	MIU803536	3	141
M811892	8	73	MIA882277	2	80	MIU804501	32	97
M811894	19	79	MIA882279	6	60	MIU804757	13	79
M811895	13	79	MIA882280	4	93	MIU804760	11	63
M811896	21	95	MIA882281	3	93	MIU804760	24	80
M811906	3	95	MIA882310	6	60	MIU804762	6	88
M811907	20	95	MIA882312	5	60	MIU804763	4	88
M811926	2	97	MIA882800	3	79	MIU804764	4	60
M811931	27	97	MIA882800	7	79	MIU804782	15	73
M811932	6	97	MIA883231	11	91	MIU804783	2	73
M811934	11	97	MIA883285	18	71	MIU804787	32	145
M811935	12	97	MIA883286	1	63	MIU804787	19	97
M811938	2	71	MIA883287	5	60	MIU804788	13	67
M811953	33	97	MIA883289	19	93	MIU804788	19	75
M811954	15	125	MIA883290	20	93	MIU804788	23	80
M811956	31	97	MIA883291	2	93	MIU804802	3	77
M811957	17	97	MIA883292	1	59	MIU804804	24	97
M811958	11	67	MIA883294	1	95	MIU804805	13	77
M811961	43	97	MIA883294	1	97	MIU804944	2	77
M811963	11	95	MIA883636	1	80	MIU804947	31	145
M811966	11	71	MIA884996	1	88	MIU804948	9	137
M811967	6	71	MIA885008	1	60	MIU804949	2	130
M811967	7	80	MIA885191	2	133	MIU804951	4	141
M811968	18	80	MIA885192	3	133	MIU804951	4	143
M811968	6	93	MIA885193	6	133	MIU804952	8	139
M811981	2	67	MIA885198	10	141	MIU804953	1	135
M81353	38	115	MIA885198	10	143	MIU804954	1	137
M84971	22	183	MIA885200	9	141	MIU804955	2	137
M84971	27	87	MIA885209	6	137	MIU804963	19	141
M84972	12	103	MIA885348	7	79	MIU804963	19	143
M84972	23	145	MIA885589	1	133	MIU804964	21	141
M84972	18	161	MIA885589	18	133	MIU804965	22	141
M84972	7	163	MIA885590	3	133	MIU804966	5	141
M84972	29	171	MIA885591	1	143	MIU804972	7	139
M84972	23	213	MIA885592	9	143	MIU804983	23	141
M84972	12	229	MIA885593	20	143	MIU805174	5	141
M84972	9	87	MIA885689	33	145	MIU805200	45	97



## Numerical Index - Continued

Part No.	Key	Page	Part No.	Key	Page	Part No.	Key	Page
MIU805372	23	143	R125590	21	87	R78069	28	111
MIU805373	22	143	R131803	6	285	R78069	3	111
MIU805395	3	141	R184062	4	161	R78069	31	111
MIU805395	3	143	R184062	18	213	R78069	18	113
MIU805441	1	73	R184067	5	161	R78069	15	117
MIU805534	18	133	R184067	13	213	R78069	17	117
MIU805535	34	145	R217664	2	101	R78069	10	235
MIU805584	8	133	R26286	3	167	R78069	11	237
MIU805954	1	71	R26375	27	145	R97021	16	87
MT1479	15	177	R26375	17	231	RE12363	2	109
MT1966	4	188	R26448	3	145	RE151433	1	167
MT2119	5	147	R26448	6	147	RG60092	46	97
MT2119	10	213	R26448	11	169	SJ15808	10	111
MT2119	4	213	R26448	19	171	SJ15809	11	111
MT2340	10	267	R26448	17	217	SU23101	58	197
MT2341	15	267	R26448	4	231	SU23101	8	227
MT2342	9	267	R26906	7	145	SU25155	34	117
MT2622	5	285	R26906	9	147	T10581	4	155
MT2622	43	291	R26906	6	213	T105826	13	231
MT2624	7	297	R280791	70	181	T108012	16	109
MT3016	33	273	R28782	24	145	T108012	23	111
MT3016	33	277	R28782	12	161	T108012	13	217
MT3016	25	281	R28782	1	165	T110452	6	95
MT4851	17	101	R28782	2	169	T110737	16	80
MT5158	11	267	R28782	11	171	T110750	15	93
MT5159	8	267	R305041	8	161	T110750	34	97
MT6269	3	187	R30587	21	273	T110808	11	91
MT6269	3	188	R30587	21	277	T111401	7	88
MT6351	17	205	R30587	28	281	T111565	7	77
MT6351	1	207	R30587	29	283	T111874	38	97
MT6351	1	229	R309931	7	161	T114124	20	97
MT6517	29	273	R313872	12	171	T114158	10	93
MT6517	29	277	R316945	11	201	T143169	14	119
MT6517	34	281	R316945	3	263	T177753	20	91
MT6517	42	283	R35668	15	91	T24167	16	109
MT6517	43	283	R44302	24	119	T257818	17	87
MT6519	6	151	R49921	4	163	T26955	25	117
MT6599	1	209	R524489	27	197	T27550	14	115
MT6600	2	209	R56101	1	87	T27550	24	117
MT6606	3	209	R56101	10	91	T287877	13	87
MT6732	1	288	R77175	21	161	T317396	6	231
MT6732	2	288	R78060	2	109	T372848	26	183
MT6738	12	231	R78061	33	103	T372848	14	229
MT6821	22	291	R78064	14	235	T383235	59	197
MT6833	19	291	R78064	15	237	T383235	7	227
MT7280	8	297	R78065	11	109	T58694	3	192
MT7280	9	299	R78065	21	109	T77613	5	145
MT7370	21	291	R78065	24	109	T77613	12	169
MT739	10	243	R78065	28	109	T77613	20	171
MT739	7	255	R78065	30	109	T77613	18	217
MT74	21	275	R78065	31	109	T77814	2	145
MT74	21	279	R78065	34	109	T77814	2	165
MT74	26	281	R78065	9	109	T77814	3	169
MT74	28	283	R78065	13	111	T77814	30	171
MT840	24	83	R78065	16	111	T77857	4	145
N101345	7	243	R78065	26	111	T77857	35	171
N101345	8	244	R78065	28	111	T77857	5	231
N101345	9	247	R78065	3	111	T77932	9	145
N101345	8	255	R78065	13	113	T77932	3	147
N101345	7	257	R78065	17	113	T77932	14	161
N168012	32	273	R78065	18	113	T77932	7	213
N168012	32	277	R78065	2	113	TCA12646	16	83
N168012	27	281	R78065	21	113	TCA13325	22	123
N282069	20	111	R78065	3	113	TCA13830	7	185
P48347	18	181	R78065	4	113	TCA14164	9	167
P50631	33	291	R78065	14	117	TCA16455	19	123
PFA10884	1	238	R78065	16	117	TCA16456	30	123
PFA12417	4	238	R78065	17	117	TCA16576	17	291
PFA12692	3	238	R78065	18	117	TCA16577	35	291
PFA12696	5	238	R78065	7	219	TCA16735	15	217
PH50229231	2	238	R78065	8	219	TCA18031	13	183
PH85235965	35	117	R78065	9	219	TCA18042	10	213
PH85242201	35	117	R78065	23	231	TCA18042	31	213
PMK2812-0406	4	103	R78066	31	111	TCA18525	3	179
R104846	24	217	R78066	15	117	TCA18600	18	119
R104919	12	109	R78066	7	117	TCA18757	36A	181
R104919	10	113	R78066	10	235	TCA19188	1	155
R104919	9	117	R78066	11	237	TCA19344	40	283
R104919	4	135	R78069	24	109	TCA19350	35	273
R104919	14	217	R78069	28	109	TCA19351	35	277
R104919	9	217	R78069	16	111	TCA19359	42	283
R104919	11	219	R78069	20	111	TCA19547	1	268
R104922	22	111	R78069	26	111	TCA19566	2	269

## Numerical Index - Continued

Part No.	Key	Page	Part No.	Key	Page	Part No.	Key	Page
TCA19604	26	217	TCU24983	7	300	TCU33333	6	153
TCA19624	23	273	TCU25027	2	294	TCU33336	10	183
TCA19624	23	277	TCU25027	2	295	TCU33342	28	123
TCA19624	33	281	TCU25027	9	297	TCU33342	3	83
TCA19823	1	186	TCU25027	8	299	TCU33535	15	119
TCA19824	1	186	TCU25083	24	291	TCU33536	17	119
TCA19827	1	186	TCU25084	36	291	TCU33537	19	119
TCA19916	1	91	TCU25085	15	291	TCU33820	3	213
TCA21401	2	179	TCU25086	13	291	TCU33951	4	209
TCA21539	3	115	TCU25093	3	119	TCU34008	6	161
TCA21908	22	179	TCU25276	15	183	TCU34008	20	213
TCA22013	20	217	TCU25354	30	117	TCU34231	14	205
TCA22836	3	240	TCU25391	18A	229	TCU34231	3	207
TCA22836	3	241	TCU25391	18B	229	TCU34231	2	229
TCA22836	2	248	TCU25393	24	275	TCU34831	21	103
TCA22836	3	249	TCU25393	24	279	TCU35285	4	187
TCA22836	4	250	TCU25393	50	281	TCU35637	11	273
TCA22836	2	251	TCU25398	5	273	TCU35637	11	277
TCA22836	2	252	TCU25398	5	277	TCU35637	58	281
TCA22836	2	253	TCU25398	29	281	TCU35638	20	273
TCA22836	1	260	TCU25398	33	283	TCU35638	20	277
TCA22836	18	283	TCU25432	8	285	TCU35638	59	281
TCA23621	38	281	TCU25528	22	119	TCU35694	8	209
TCA23662	7	231	TCU25593	8	300	TCU35968	5	275
TCA25980	8	179	TCU25820	45	283	TCU35968	5	279
TCA26026	6	135	TCU25820	1	286	TCU35968	41	281
TCU13001	29	291	TCU25820	3	286	TCU36165	9	279
TCU14137	21	183	TCU25821	3	284	TCU36165	42	281
TCU14151	9	181	TCU26302	6	155	TCU36325	50	283
TCU14151	38	291	TCU26458	8	273	TCU36326	51	283
TCU14287	27	123	TCU26458	8	277	TCU36334	8	119
TCU14511	25	183	TCU26458	51	281	TCU36335	7	119
TCU14862	10	205	TCU26458	46	283	TCU36464	4	275
TCU15501	25	123	TCU26720	47	283	TCU36464	4	279
TCU16197	48	181	TCU26729	7	273	TCU36464	60	281
TCU16306	9	123	TCU26729	7	277	TCU37361	5	209
TCU16352	15	123	TCU26729	32	281	TCU37604	6	220
TCU18100	1	205	TCU26729	32	283	TCU38353	47	181
TCU18109	26	119	TCU26776	36	283	TCU38353	18	197
TCU18109	7	285	TCU26998	3	267	TCU38438	8	294
TCU18109	4	291	TCU27036	17	267	TCU38438	8	295
TCU19134	1	115	TCU27037	5	267	TCU38438	2	297
TCU19528	13	123	TCU27038	14	267	TCU38438	3	299
TCU19682	7	123	TCU27183	5	287	TCU38483	4	232
TCU21177	16	123	TCU27453	23	275	TCU38483	31	291
TCU21382	7	83	TCU27453	23	279	TCU38484	5	297
TCU21447	4	181	TCU27453	53	281	TCU38484	5	299
TCU22341	21	91	TCU27779	18	91	TCU38554	6	232
TCU23928	10	179	TCU27779	2	91	TCU38554	26	291
TCU24171	30	291	TCU27779	3	91	TCU38554	25	293
TCU24173	8	291	TCU27779	4	91	TCU38554	6	300
TCU24174	3	291	TCU27779	5	91	TCU38657	4	191
TCU24175	38	123	TCU27779	6	91	TCU38714	29	293
TCU24282	14	291	TCU27871	1	91	TCU38714	9	300
TCU24328	27	273	TCU27871	19	91	TCU38851	5	298
TCU24328	27	277	TCU28635	11	275	TCU38853	2	298
TCU24328	43	281	TCU28635	11	279	TCU38868	4	298
TCU24328	44	283	TCU28635	54	281	TCU38869	6	298
TCU24334	31	273	TCU28635	48	283	TCU39067	40	291
TCU24334	31	277	TCU28671	15	153	TCU39148	9	209
TCU24334	44	281	TCU28964	13	273	TCU39730	28	293
TCU24519	3	250	TCU28964	13	277	TCU39730	4	300
TCU24572	14	293	TCU28964	55	281	TCU40325	26	293
TCU24573	9	293	TCU28964	49	283	TCU40348	6	209
TCU24586	18	293	TCU29933	20	113	TCU40491	26	273
TCU24666	4	297	TCU29933	27	115	TCU40491	26	277
TCU24666	2	299	TCU29933	44	115	TCU40491	39	281
TCU24672	2	293	TCU29933	12	117	TCU40491	52	283
TCU24707	5	291	TCU29933	14	153	TY22462	17	103
TCU24780	31	293	TCU29933	10	219	TY22466	19	167
TCU24826	21	293	TCU29933	16	237	TY22466	16	217
TCU24856	12	293	TCU29933	7	87	TY22470	21	101
TCU24919	4	294	TCU29969	4	193	TY25876	43	115
TCU24919	6	295	TCU30798	2	275	TY25876B	43	115
TCU24919	6	297	TCU30798	2	279	U12547	20	145
TCU24919	4	299	TCU30798	57	281	U45916	3	269
TCU24920	8	294	TCU31361	2	207	U46662	8	109
TCU24920	8	295	TCU32422	11	293	U46731	8	243
TCU24958	4	273	TCU32529	63	181	U46731	9	244
TCU24958	4	277	TCU32529	69	181	U46731	10	247
TCU24958	31	281	TCU32529	3	205	U46731	9	255
TCU24958	31	283	TCU33288	29	123	U46731	8	257
TCU24983	17	293	TCU33288	11	83	UC11225	68	181

## Numerical Index - Continued

Part No.	Key	Page	Part No.	Key	Page	Part No.	Key	Page
UC11752	11	145	UC15820	8	229	UC22218	62	283
UC11845	39	181	UC15821	12	177	UC22490	61	197
UC11845	69	181	UC15821	5	205	UC22490	10	227
UC11891	15	197	UC16050	23	83	UC22494	20	179
UC11892	8	197	UC16093	13	151	UC22652	48	197
UC11903	6A	262	UC16102	24	273	UC22653	6	197
UC11903	6A	264	UC16102	24	277	UC22654	47	197
UC11904	8	201	UC16102	35	281	UC22655	45	197
UC11904	6	263	UC16102	59	283	UC22656	44	197
UC11948	2	103	UC16108	7	275	UC22657	46	197
UC12055	29	103	UC16108	7	279	UC22658	49	197
UC12056	8	183	UC16108	45	281	UC22659	43	197
UC12059	18	145	UC16108	55	283	UC22692	3	123
UC12147	27	103	UC16109	16	275	UC22693	2	123
UC12149	14	83	UC16109	16	279	UC22871	15	205
UC12163	2	167	UC16109	48	281	UC22871	7	229
UC12164	34	123	UC16109	58	283	UC23038	9	220
UC12196	24	213	UC16113	5	291	UC23048	5	111
UC12267	4	183	UC16129	24	291	UC23078	3	235
UC12268	11	167	UC16137	25	275	UC23078	4	237
UC12269	5	167	UC16137	25	279	UC23080	7	237
UC12280	26	103	UC16137	49	281	UC23091	8	151
UC12281	32	103	UC16387	31	103	UC23092	10	151
UC12287	18	103	UC16565	12	167	UC23278	11	133
UC12314	34	181	UC16614	23	117	UC23278	5	137
UC12318	2	183	UC16758	12	101	UC23280	10	133
UC12319	7	183	UC16764	10	115	UC23281	17	133
UC12320	3	183	UC16777	17	179	UC23377	9	141
UC12482	2	197	UC17146	6	217	UC23378	18	133
UC12742	39	123	UC18068	3	297	UC23379	17	141
UC12923	25A	197	UC18068	6	299	UC23379	17	143
UC12924	26A	197	UC18211	15	275	UC23380	7	133
UC12941	10	197	UC18211	15	279	UC23381	4	133
UC12944	1	197	UC18211	47	281	UC23382	2	139
UC13425	17	273	UC18211	56	283	UC23385	1	139
UC13425	17	277	UC18220	25	83	UC23386	20	141
UC13425	52	281	UC18561	57	197	UC23387	1	130
UC13425	61	283	UC18561	5	227	UC23388	12	137
UC13514	5	155	UC18740	23	87	UC23389	14	137
UC13617	30	181	UC18744	5	264	UC23390	13	137
UC13618	31	181	UC18745	5	262	UC23391	11	137
UC13916	3	153	UC18748	18	167	UC23393	13	133
UC14089	7	232	UC18847	31	197	UC23558	12	133
UC14089	32	291	UC18848	29	197	UC23559	2	135
UC14089	24	293	UC18852	50	181	UC23560	7	141
UC14089	5	300	UC18853	21	217	UC23560	7	143
UC14112	3	232	UC18865	9	275	UC23561	8	141
UC14112	28	291	UC18869	9	275	UC23561	8	143
UC14112	23	293	UC18869	9	279	UC23562	9	275
UC14112	2	300	UC18869	42	281	UC23562	9	279
UC14126	33	181	UC18873	9	275	UC23562	42	281
UC14127	32	181	UC18873	9	279	UC23567	10	137
UC14268	7	151	UC18873	42	281	UC23568	3	129
UC14285	3	198	UC19154	9	279	UC23569	15	137
UC14285	3	201	UC19178	22	101	UC23573	22	137
UC14506	2	153	UC19178	3	229	UC23586	5	235
UC14643	7	294	UC19179	42	123	UC23628	2	129
UC14643	7	295	UC19179	13	229	UC23806	22	117
UC14646	5	294	UC19474	26	87	UC24309	23	87
UC14649	5	295	UC19825	57	181	UC24981	3	103
UC14725	12	111	UC19826	58	181	UC24981	14	87
UC14788	4	258	UC19833	2	220	UC24981	19	87
UC14789	3	258	UC19834	5	220	UC24981	2	87
UC14875	5	115	UC19885	3	223	UC24981	3	87
UC14935	22	83	UC20643	7	205	UC24981	4	87
UC14935	45	97	UC20644	6	205	UC24983	15	87
UC14983	10	167	UC20646	11	177	UC25109	54	197
UC14984	4	167	UC20646	8	205	UC25114	13	205
UC15177	1	183	UC20647	13	177	UC25358	13	223
UC15232	20	101	UC20647	9	205	UC25359	9	223
UC15240	30	293	UC20688	7	209	UC25463	12	151
UC15283	30	103	UC20689	11	209	UC25678	13	291
UC15284	28	103	UC20770	16	183	UC26082	2	219
UC15294	62	181	UC20771	12	205	UC26086	19	151
UC15294	69	181	UC20772	11	205	UC26094	28	197
UC15294	2	205	UC20961	38	197	UC26095	50	197
UC15308	21	83	UC20962	37	197	UC27057	25	213
UC15313	7	167	UC21857	40	197	UC27057	30	213
UC15774	28	87	UC21994	6	198	UC27218	25A	197
UC15819	23	179	UC21994	6	201	UC27218	25B	197
UC15819	4	205	UC22218	22	275	UC27220	26A	197
UC15820	16	205	UC22218	22	279	UC27220	26B	197
UC15820	4	207	UC22218	56	281	UC27386	10	205

## Numerical Index - Continued

<i>Part No.</i>	<i>Key</i>	<i>Page</i>	<i>Part No.</i>	<i>Key</i>	<i>Page</i>	<i>Part No.</i>	<i>Key</i>	<i>Page</i>
UC27387	1	205						
UC27397	17	179						
UC27398	7	205						
UC27399	6	205						
UC27760	15	201						
UC27761	14	201						
UC27766	11	229						
UC27955	10A	229						
UC28156	9	275						
UC28163	9	279						
UC28299	16	177						
UC28446	6	135						
UC28582	43	197						
UC28583	47	197						
UC28584	45	197						
UC28710	22	231						
UC29094	10	87						
UC29140	6A	262						
UC29140	6B	262						
UC29140	6A	264						
UC29140	6B	264						
UC29273	19	205						
UC29273	18B	229						
UC31305	3	135						
UC31466	10B	229						
UC32832	12	205						
UC32834	11	205						
UC32843	21	145						
UC32861	2	210						
UC32872	1	210						
UC33021	71	181						
UC33923	18	235						
UC34847	22	83						
UC34847	45	97						
UC36361	71	181						
UC37492	7	205						
UC37493	6	205						
UC37707	29	103						
W30317	17	151						
XPD341	20	161						
Y3082BN	37	291						
Z46383	4	192						
Z78008	7	117						